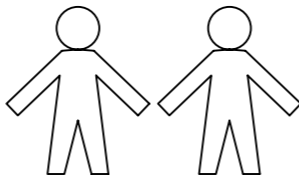
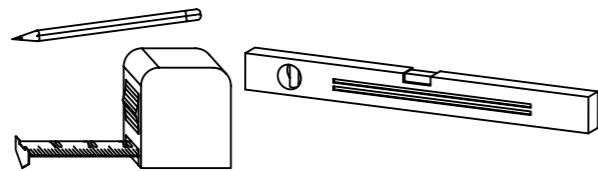
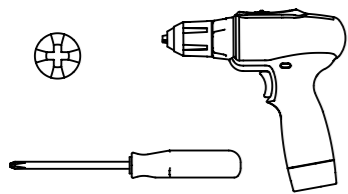


1.

M2111\_03

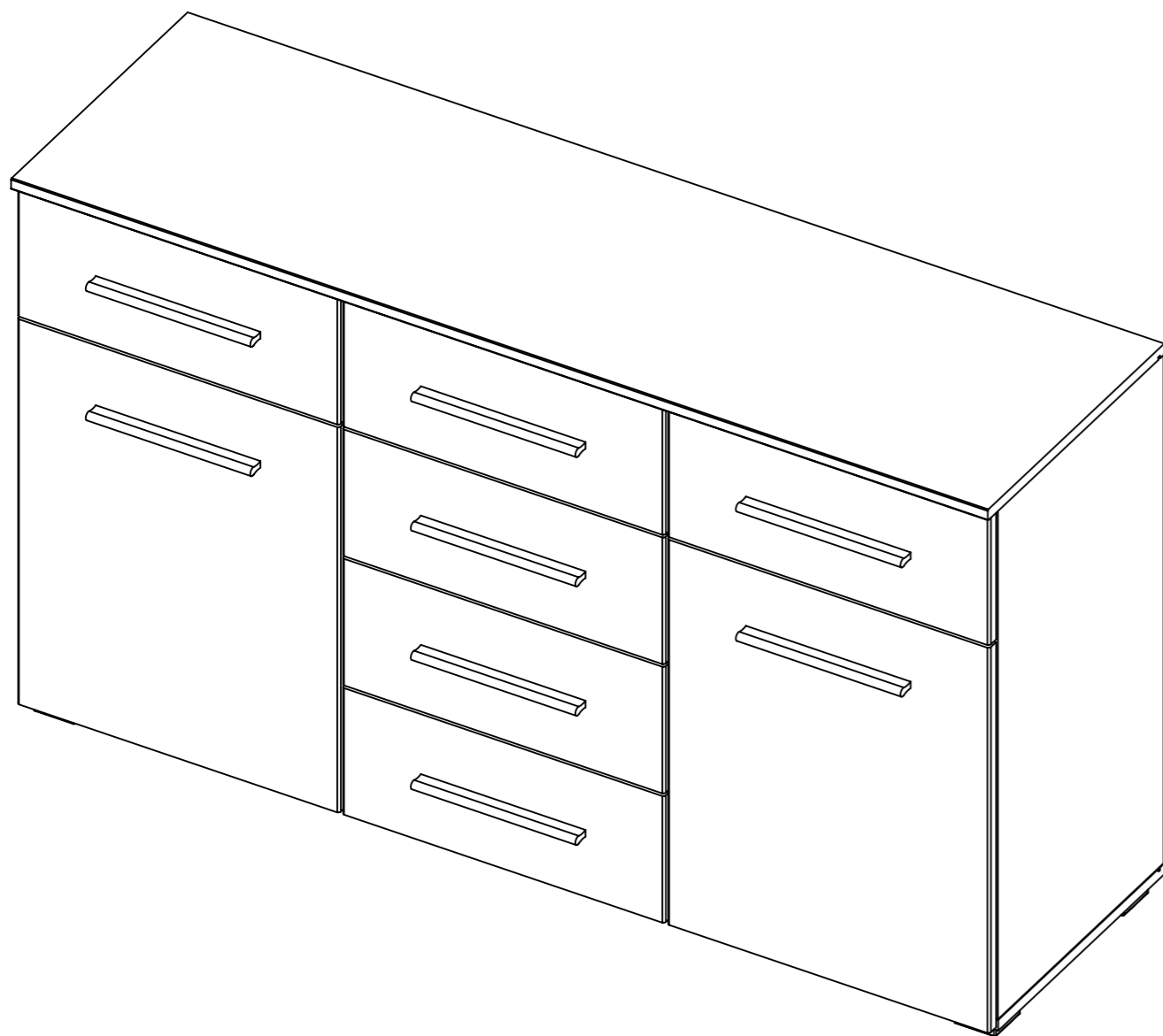
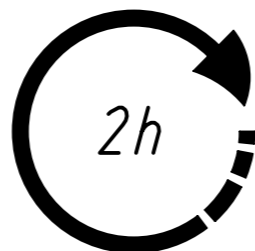
rauch



ø8mm

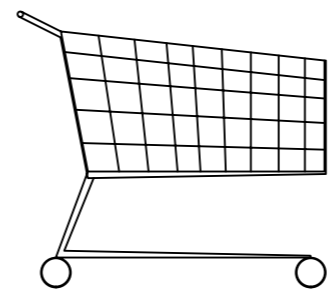
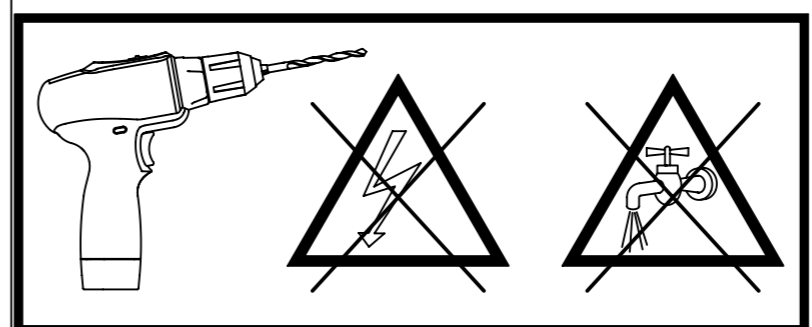
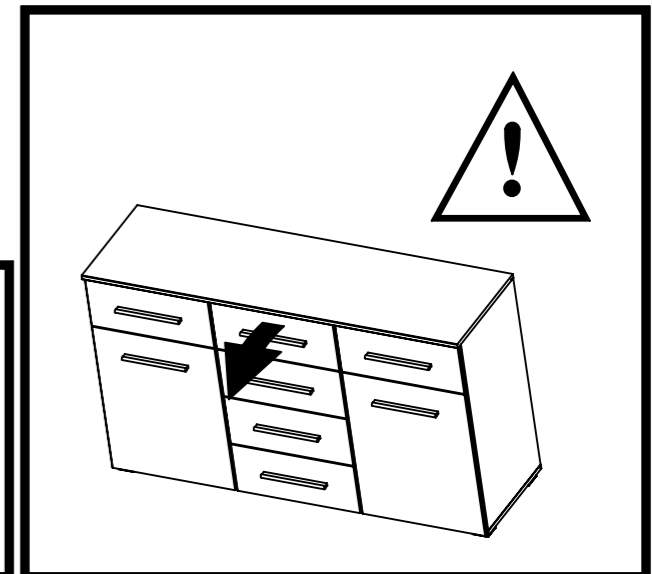
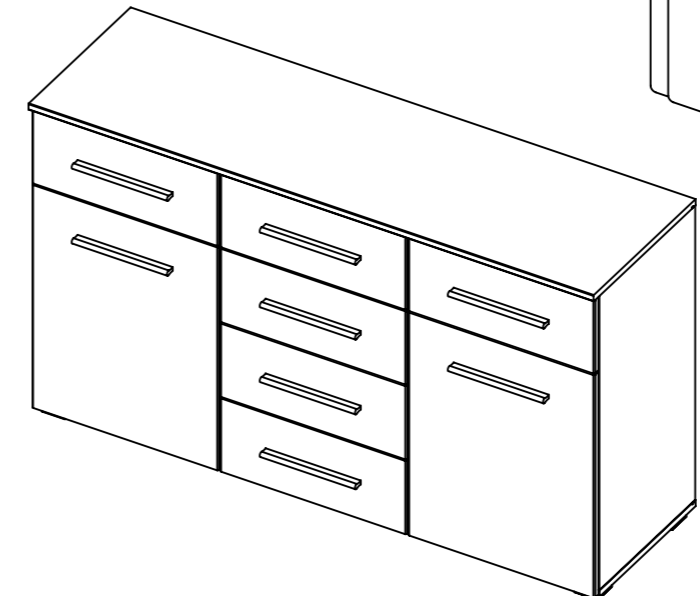
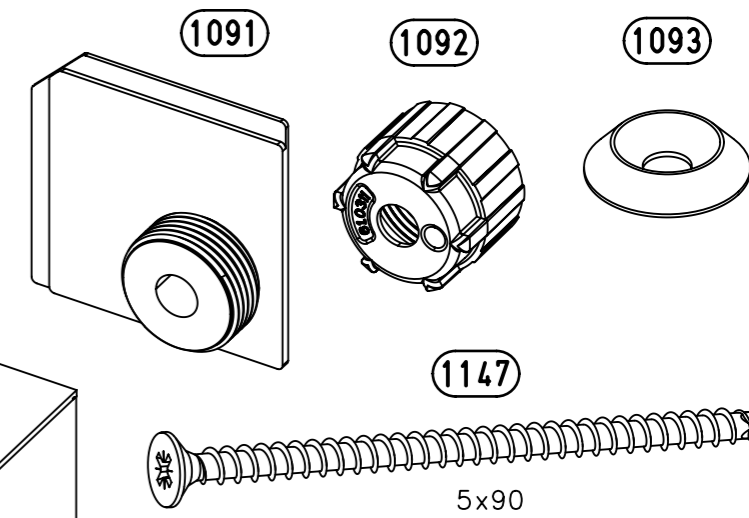


ø6mm

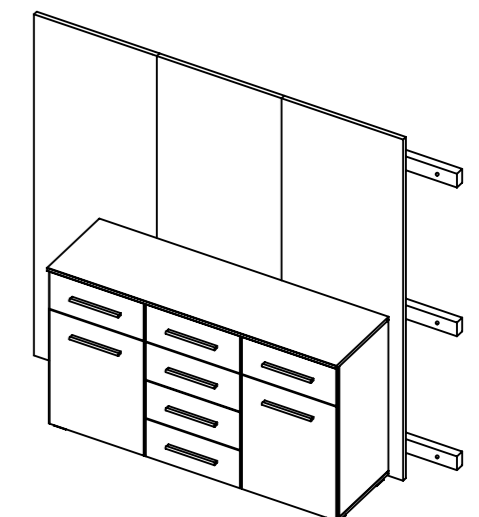
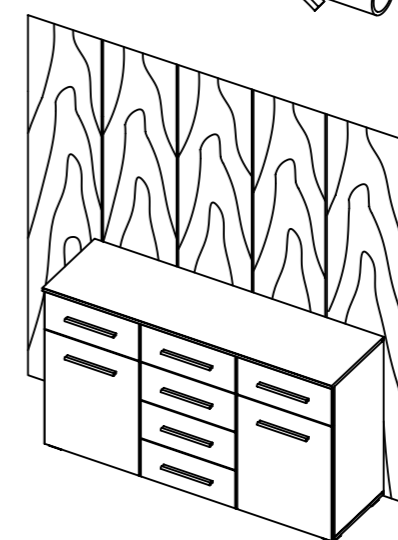
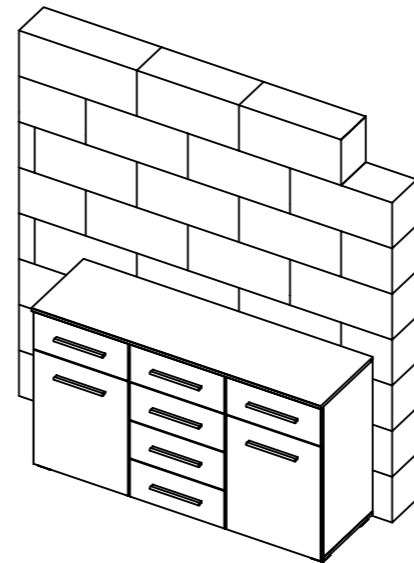
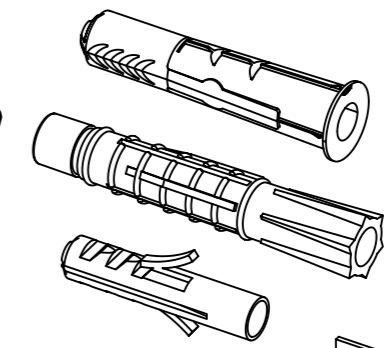


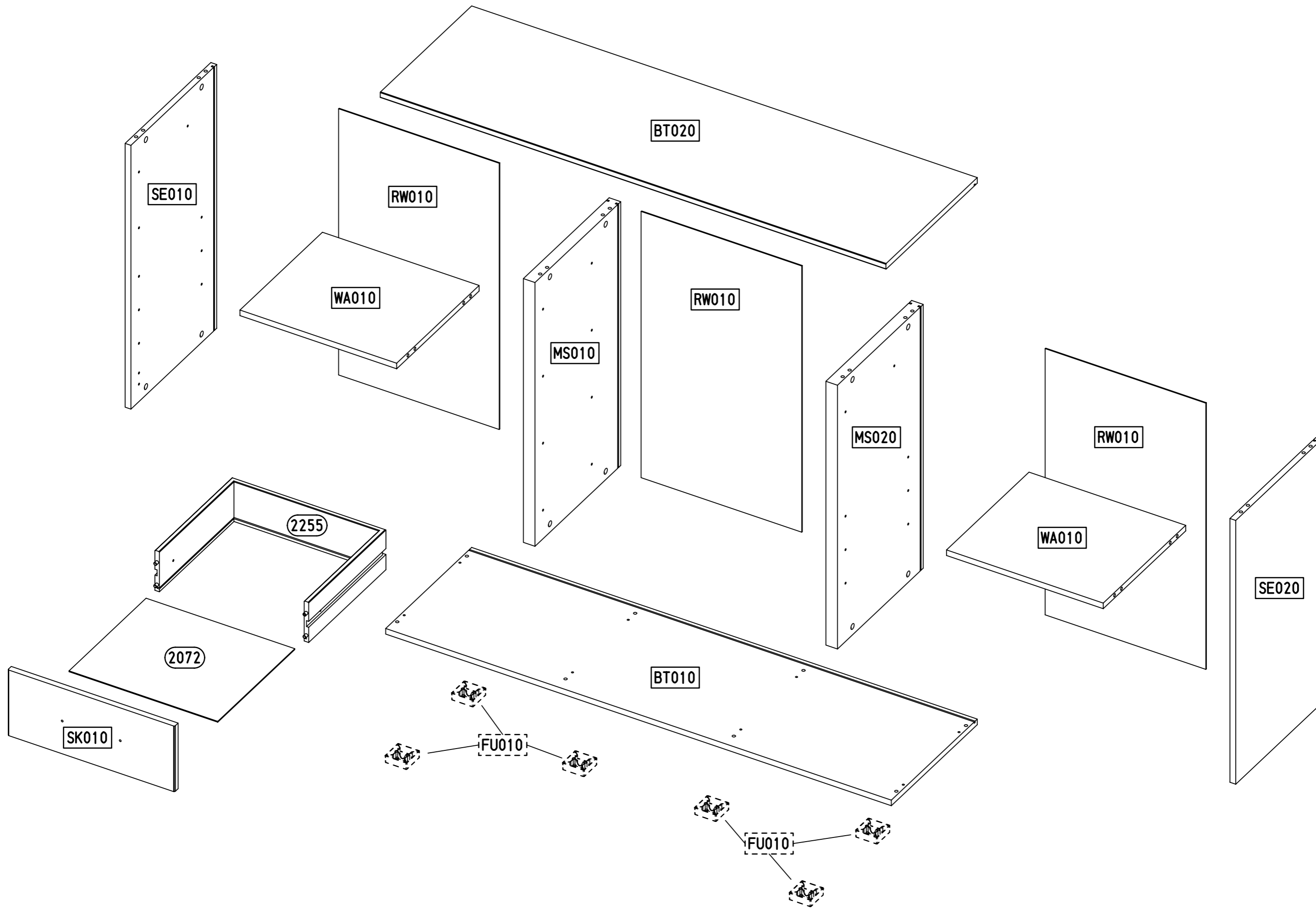
2.

2x


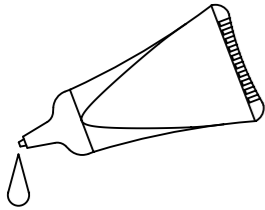
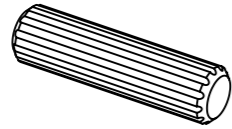
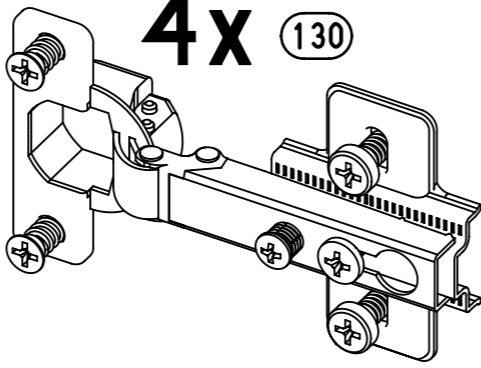
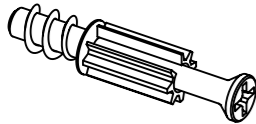

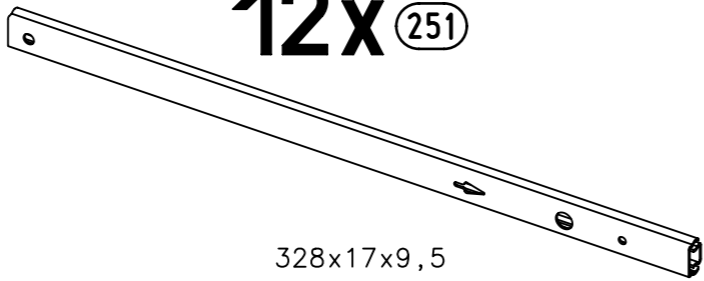


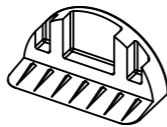



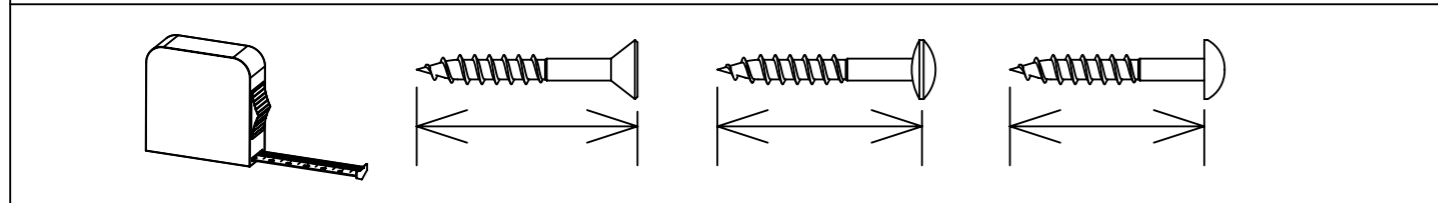
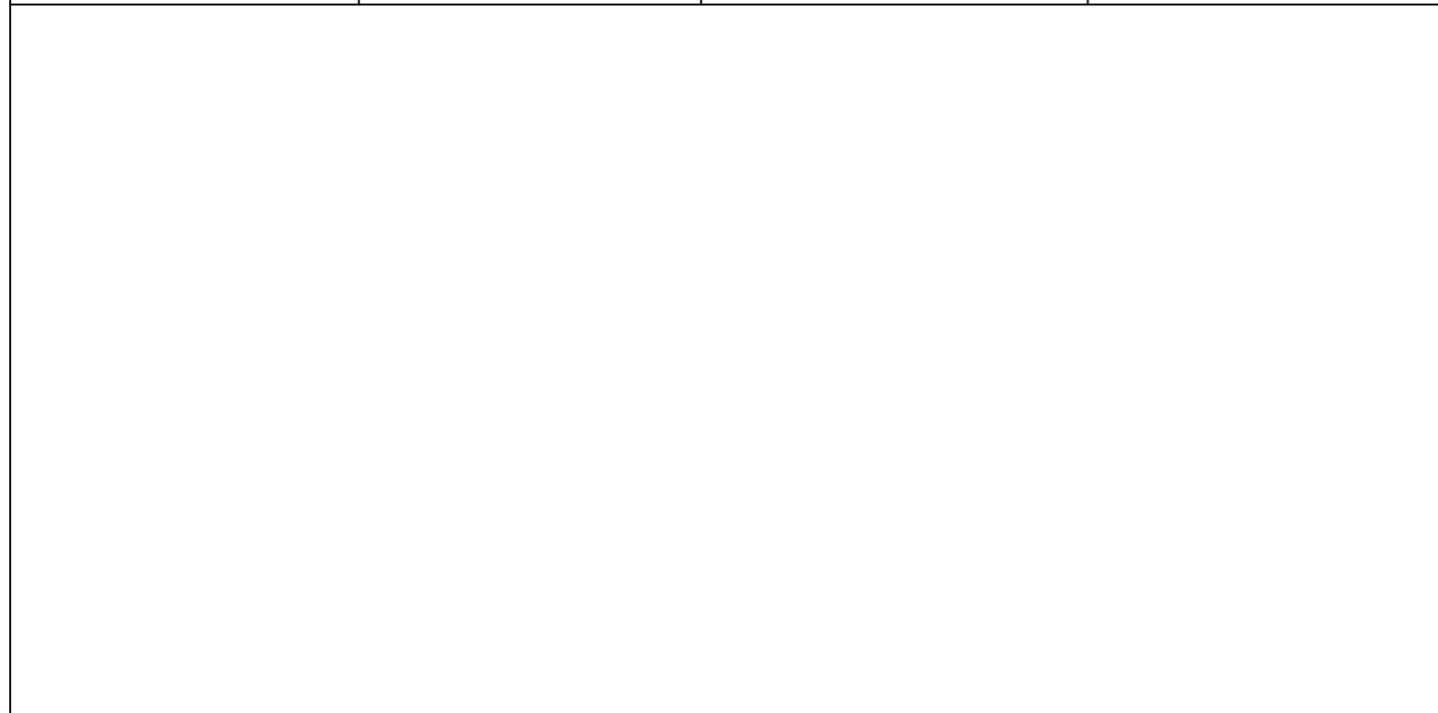
ø8mm





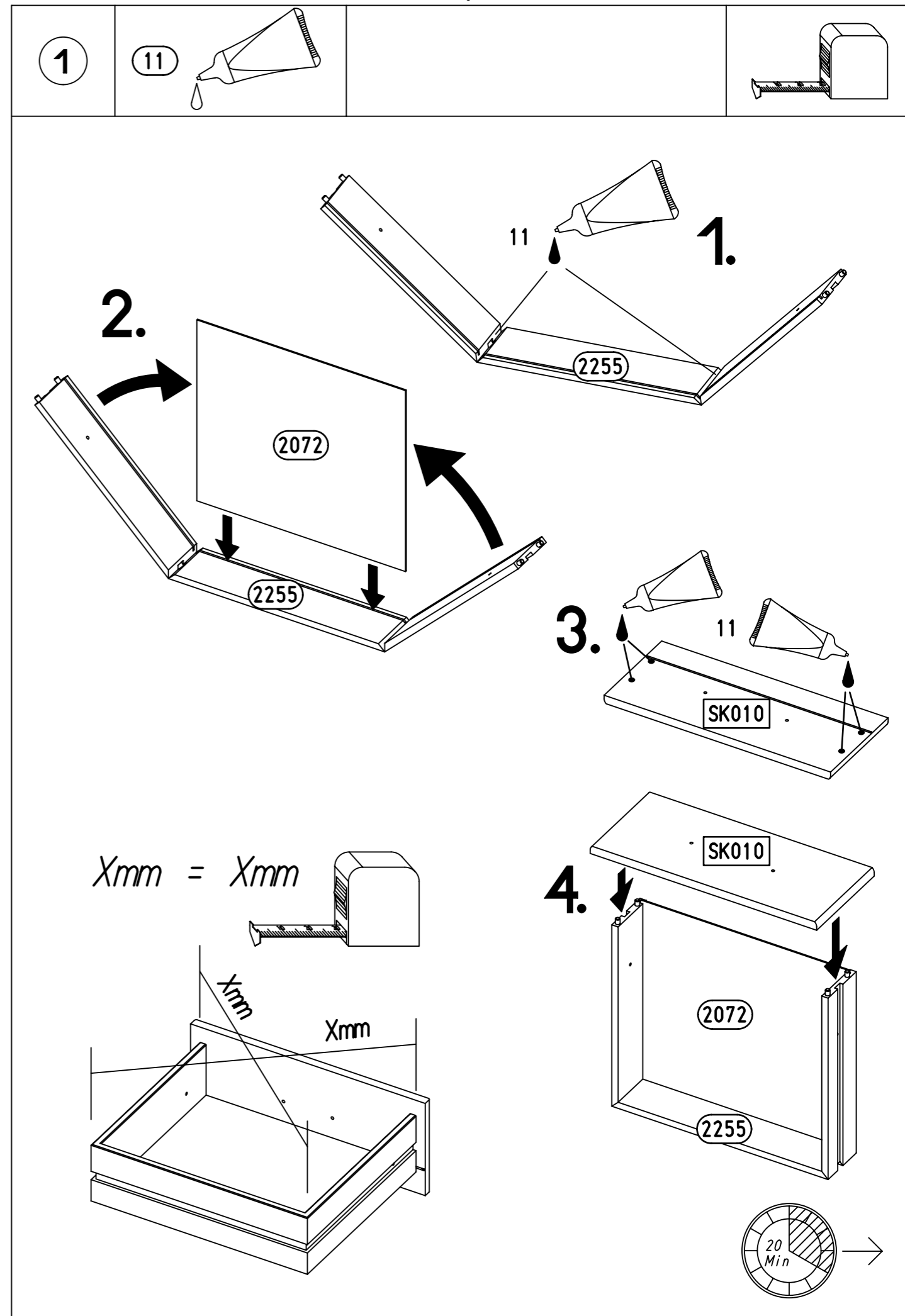
5.

 	<p><b>16x</b> <span>(18)</span></p>  <p>8x30</p>	<p><b>4x</b> <span>(130)</span></p> 	
<p><b>16x</b> <span>(183)</span></p>  <p>23/10x7,5/6,5</p>	<p><b>24x</b> <span>(227)</span></p>  <p>6x10,5</p>	<p><b>12x</b> <span>(251)</span></p>  <p>328x17x9,5</p>	
<p><b>16x</b> <span>(349)</span></p> 	<p><b>12x</b> <span>(568)</span></p>  <p>M4x9</p>	<p><b>12x</b> <span>(1090)</span></p> 	<p><b>8x</b> <span>(1105)</span></p> 



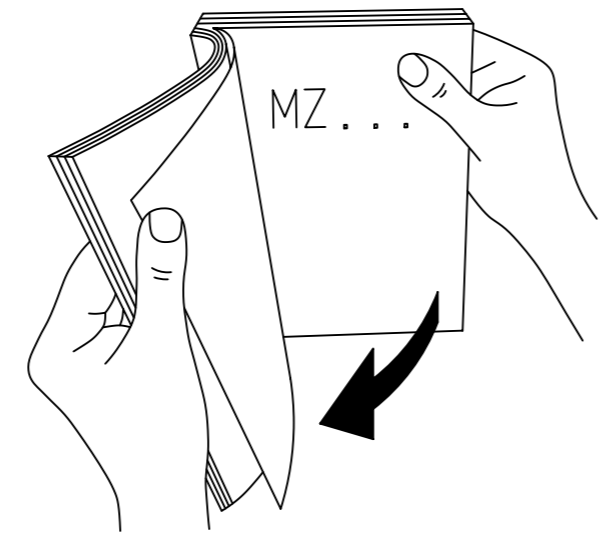
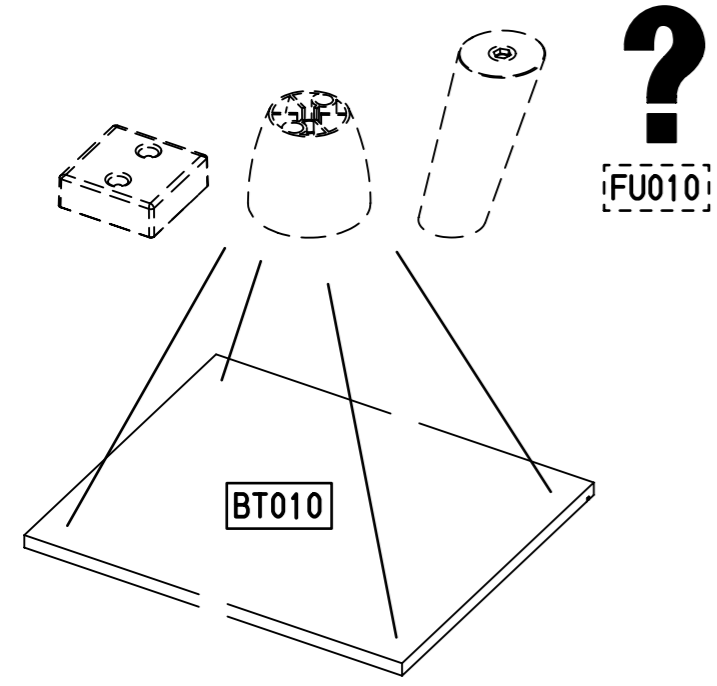
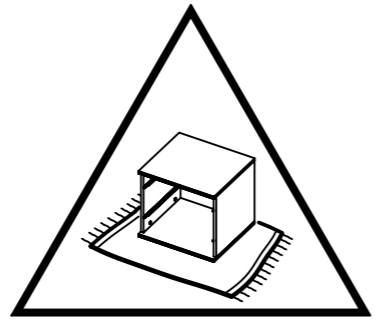
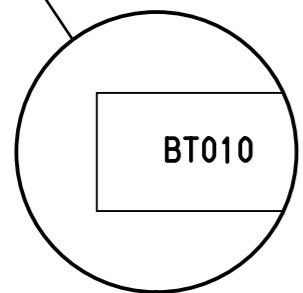
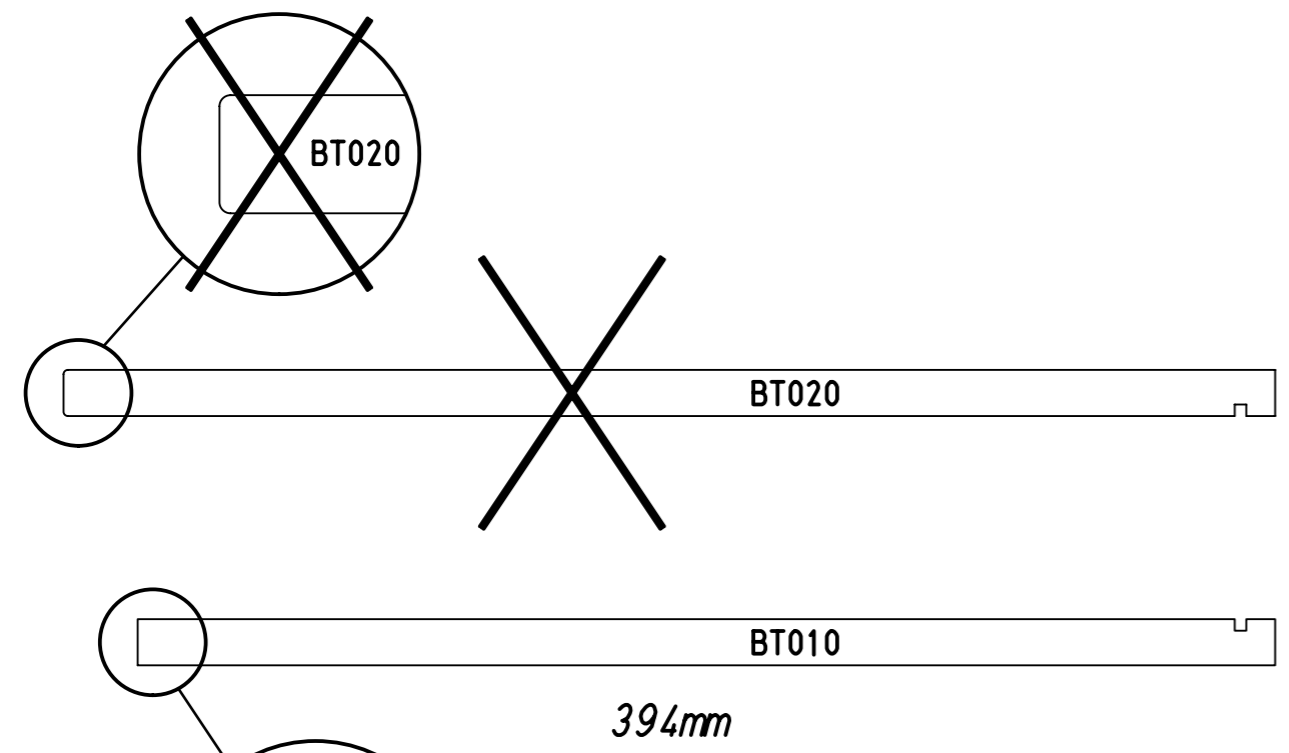
M2111

6.



M2111

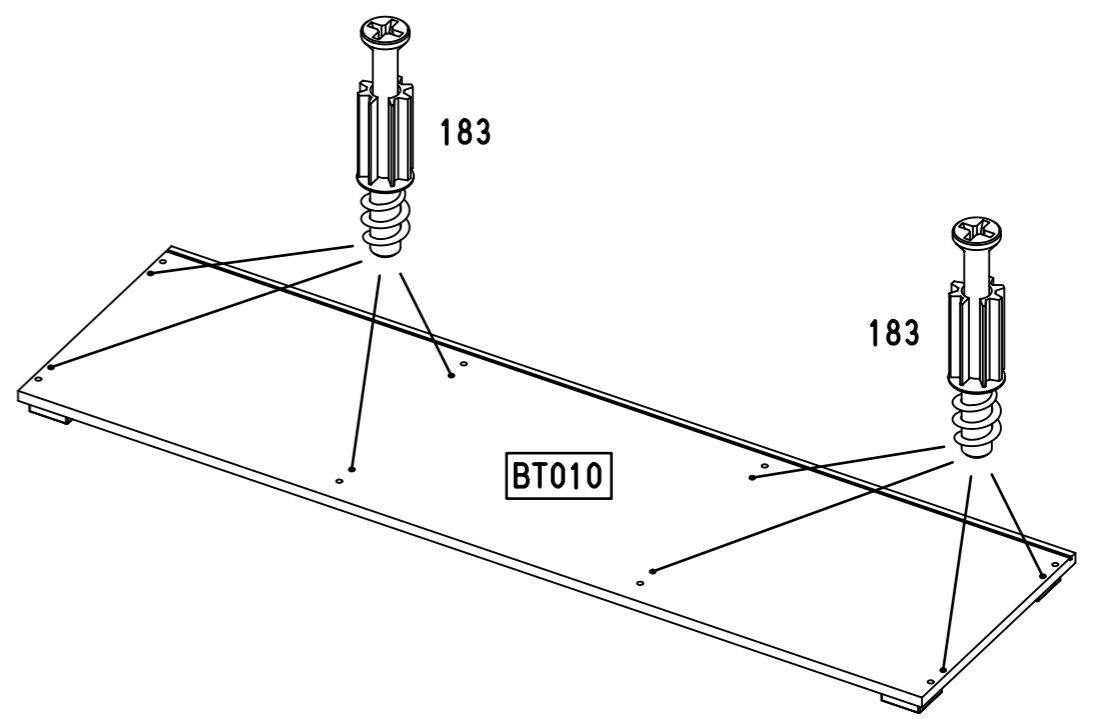
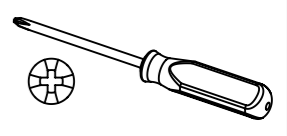
2



3

8x 183

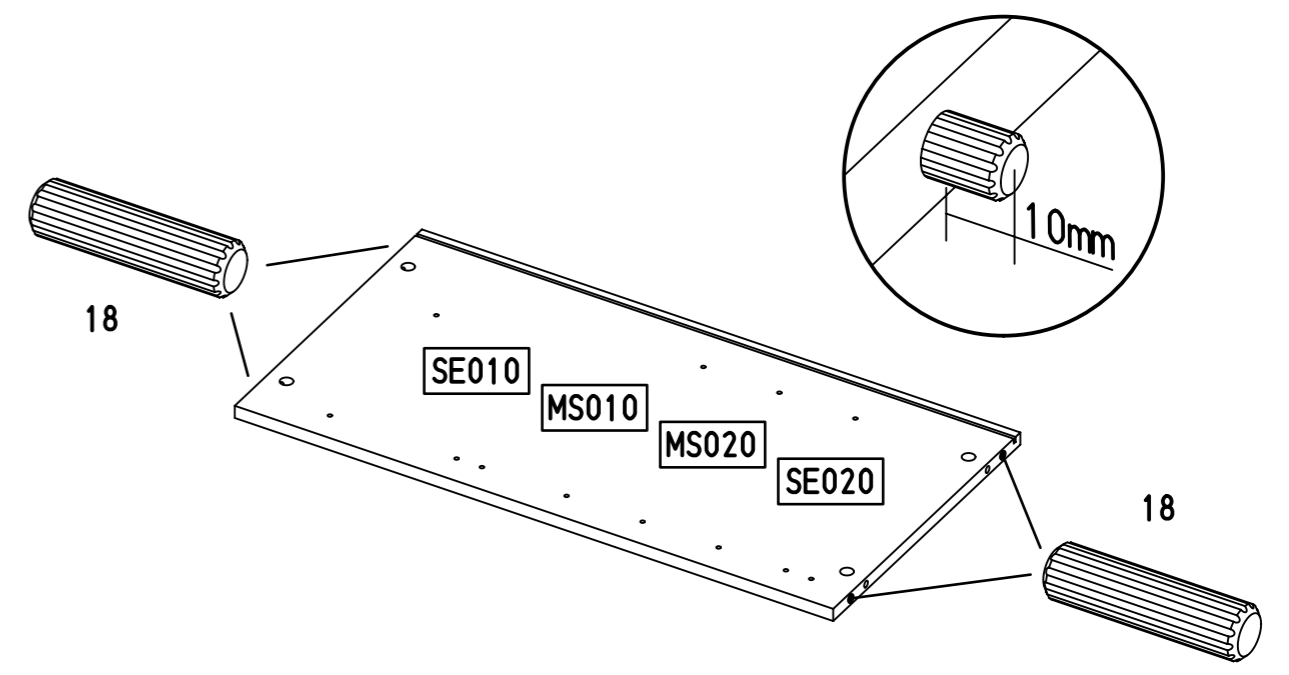
23/10x7,5/6,5



4

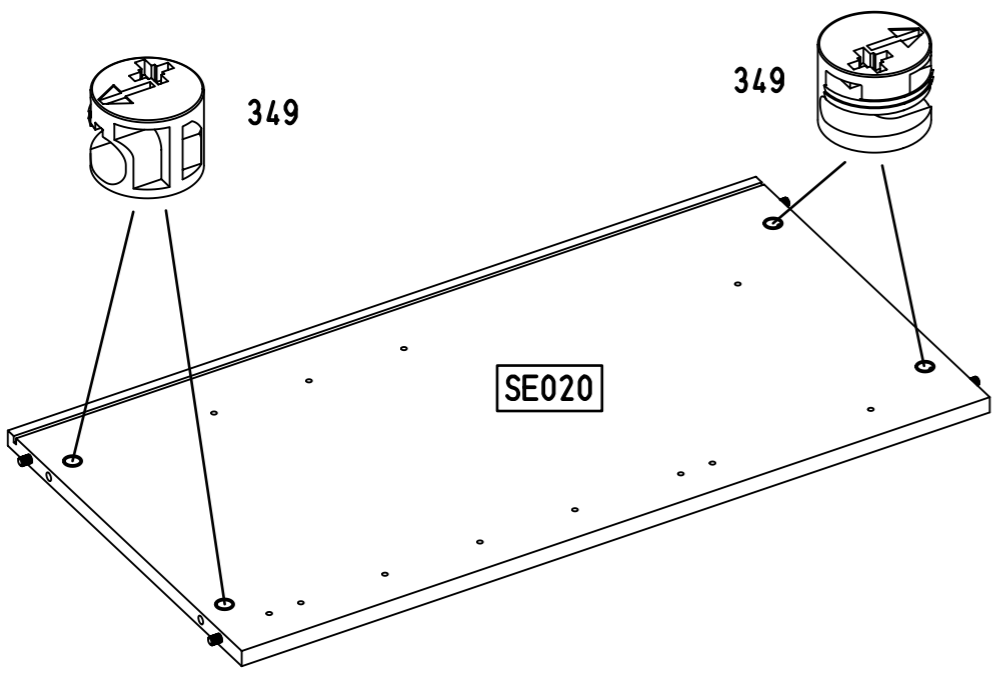
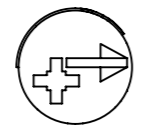
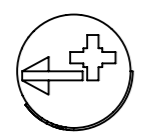
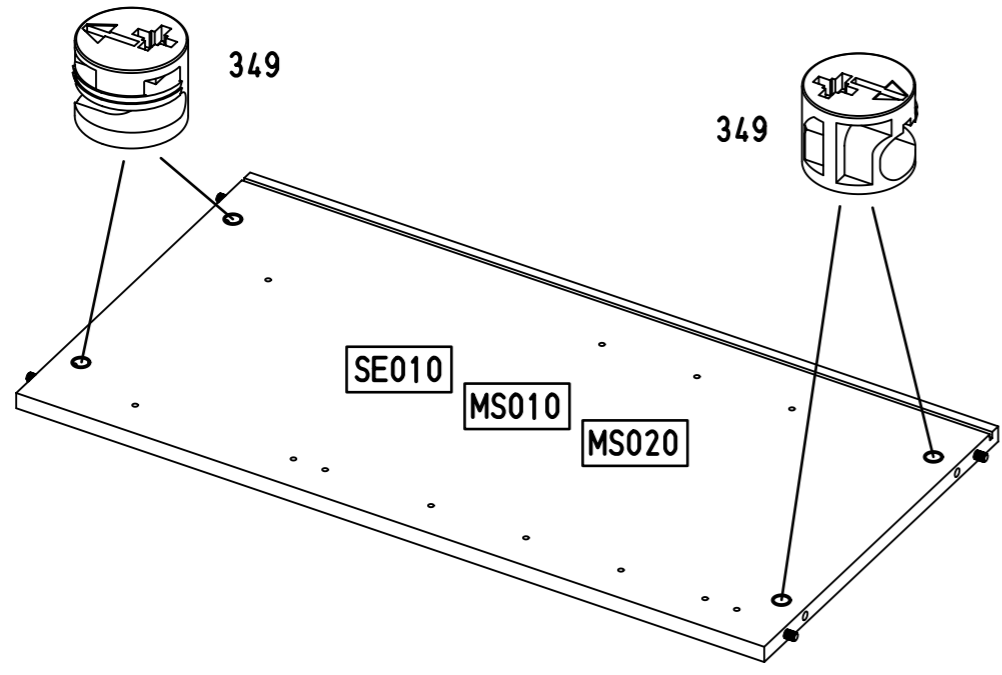
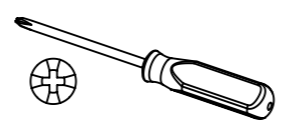
16x 18

8x30



5

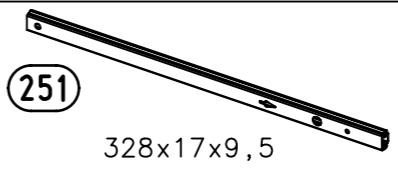
16x 349



6

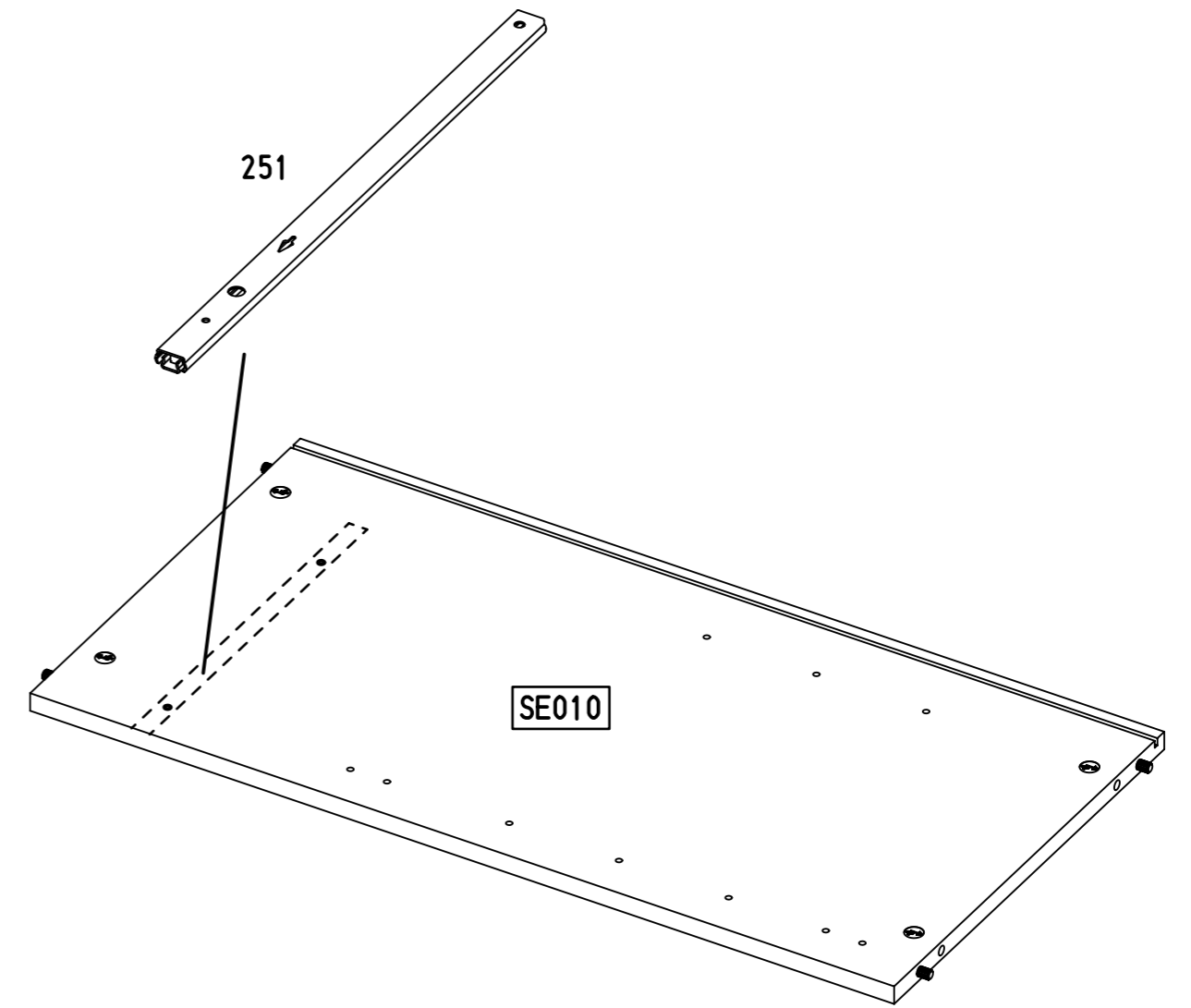
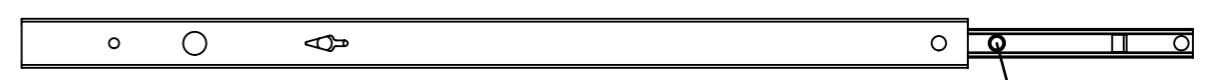
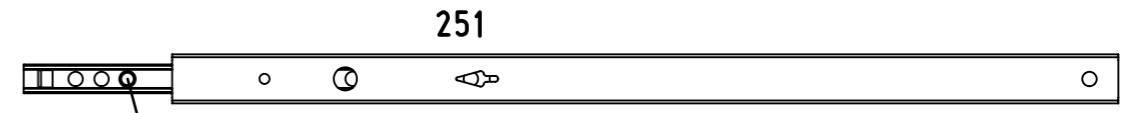
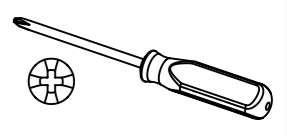
1x 251

328x17x9,5



2x 227

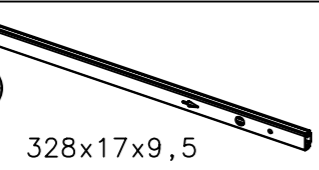
6x10,5



7

4x

251



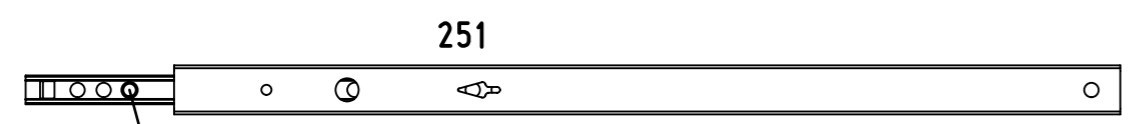
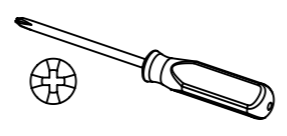
328x17x9,5

8x

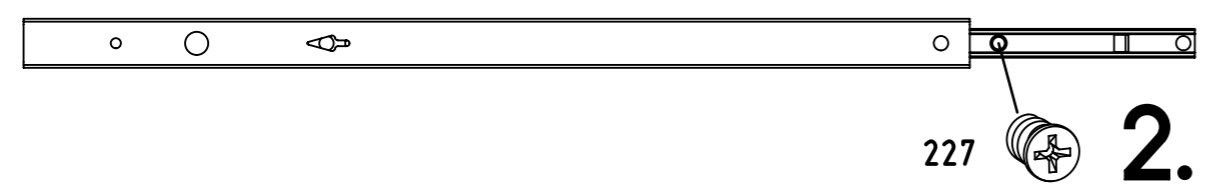
227



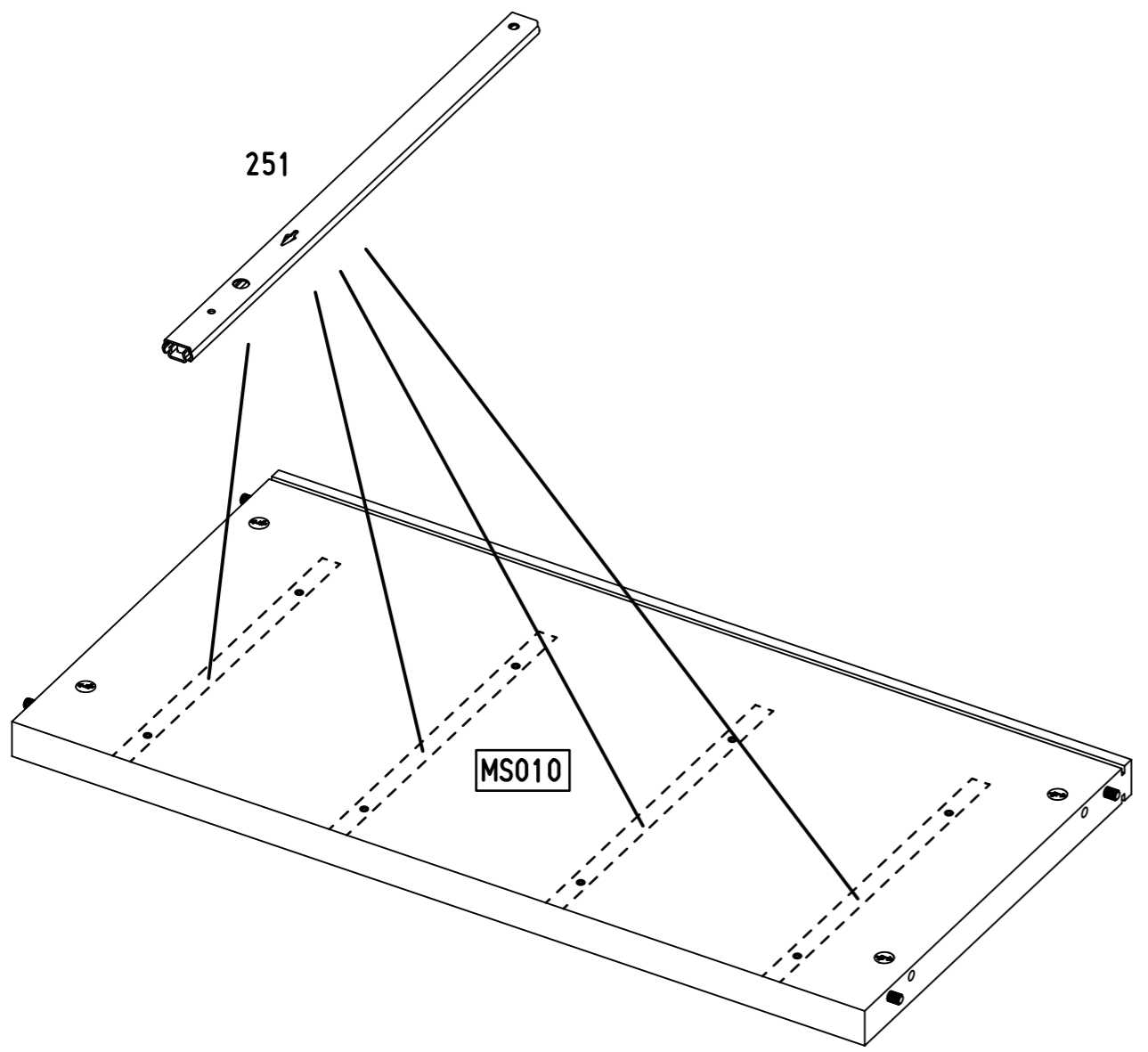
6x10,5



1.



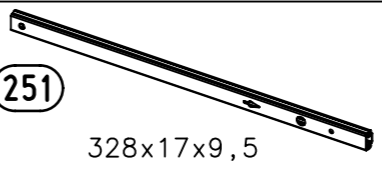
2.



8

1x

251



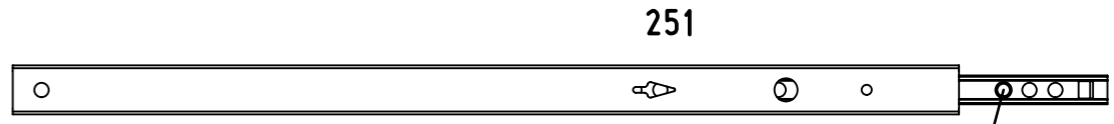
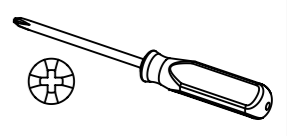
328x17x9,5

2x

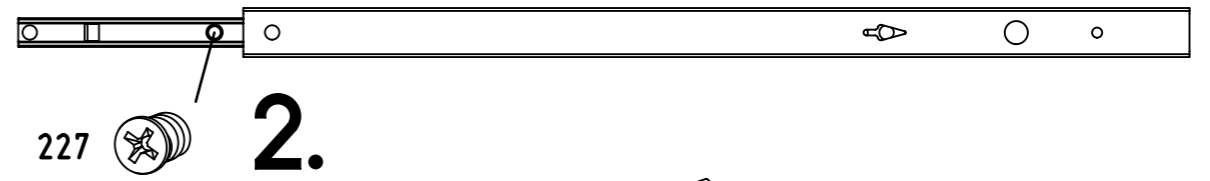
227



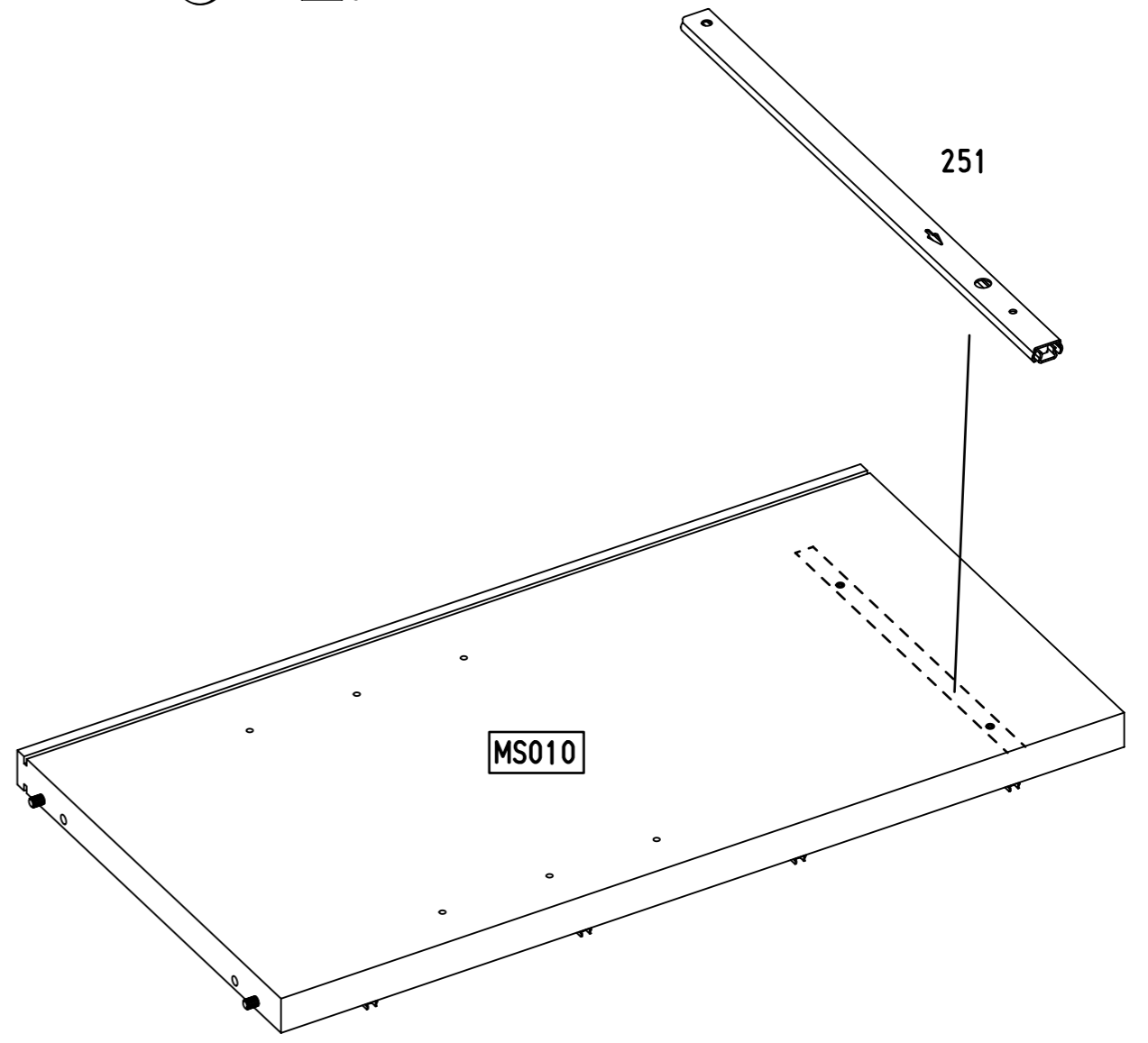
6x10,5



1.



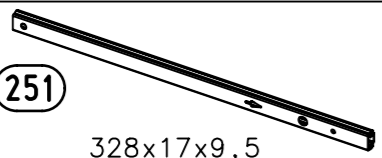
2.



13.

9

4x (251)

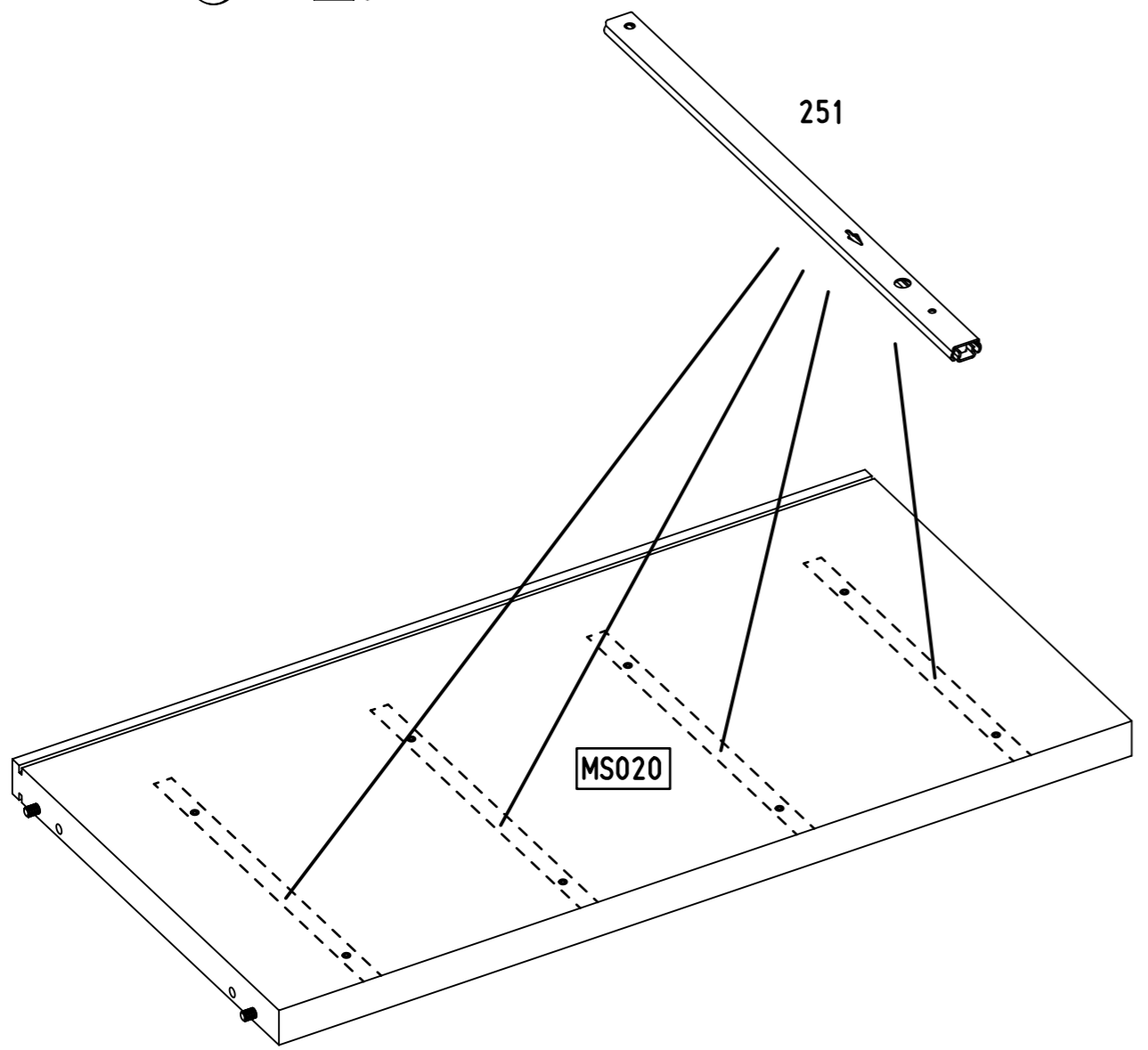
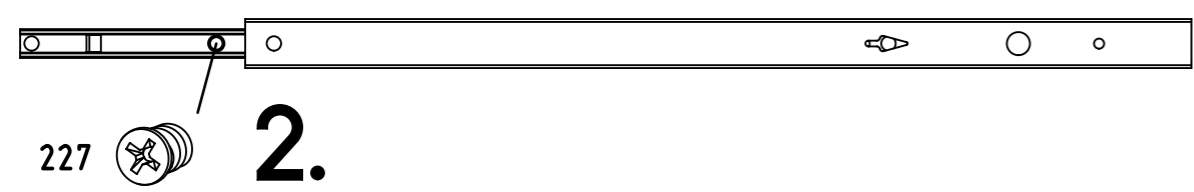
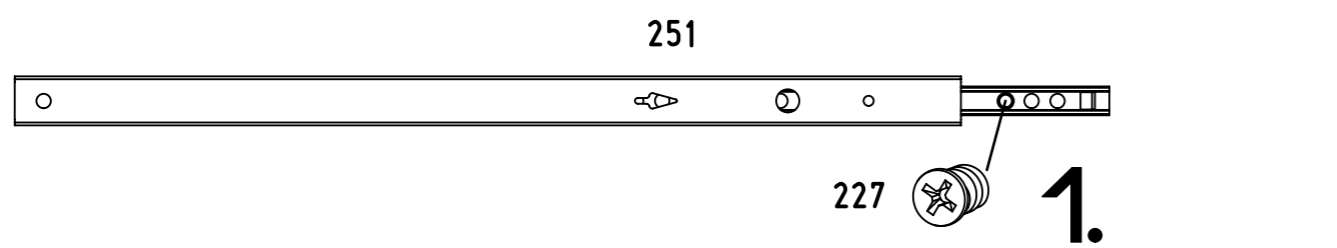
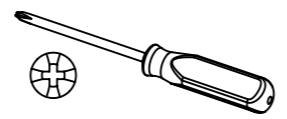


328x17x9,5

8x (227)



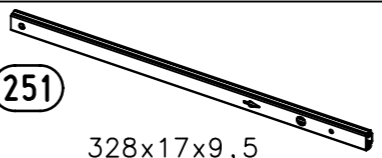
6x10,5



14.

10

1x (251)

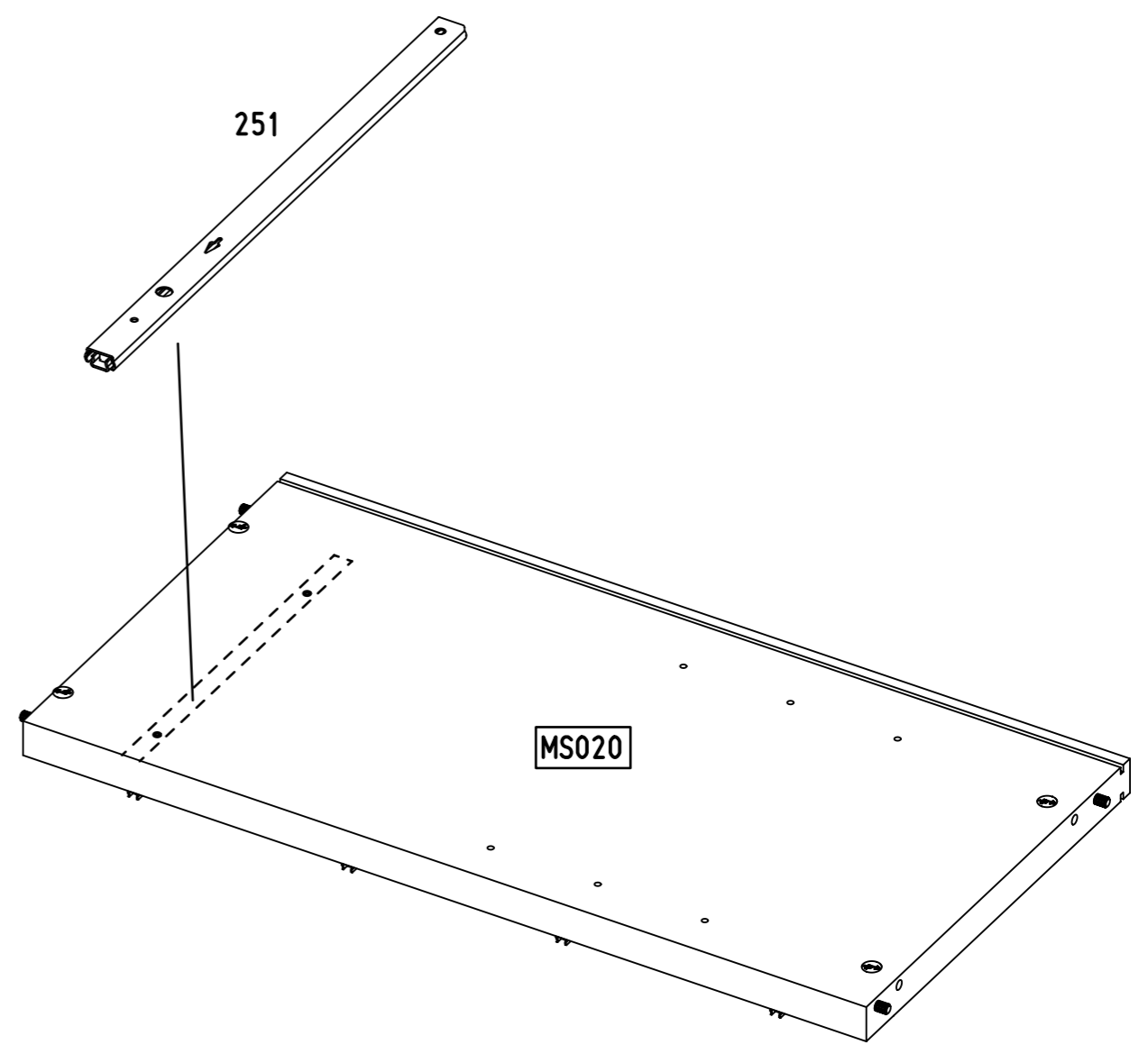
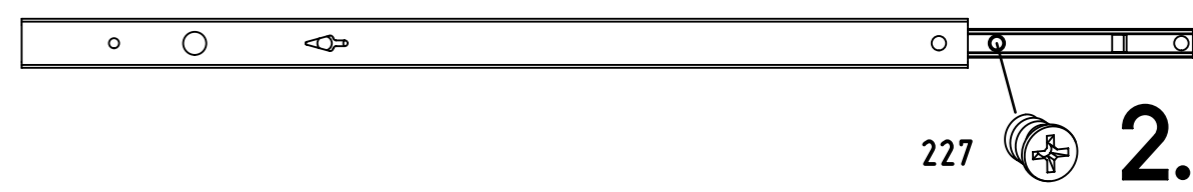
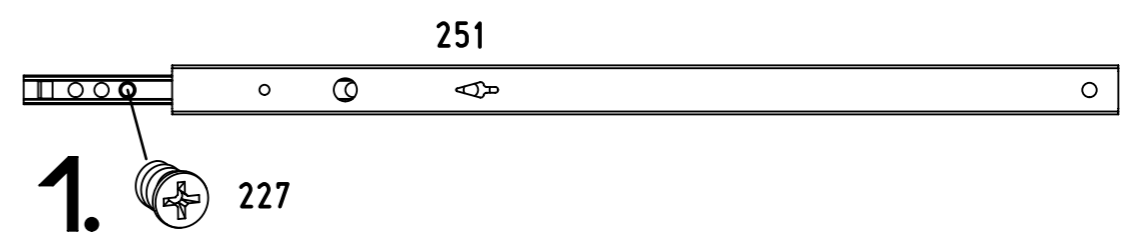
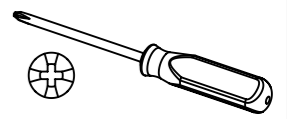


328x17x9,5

2x (227)



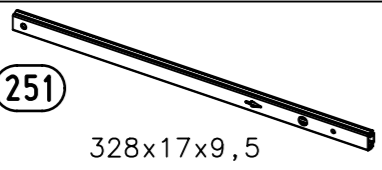
6x10,5



11

1x

251



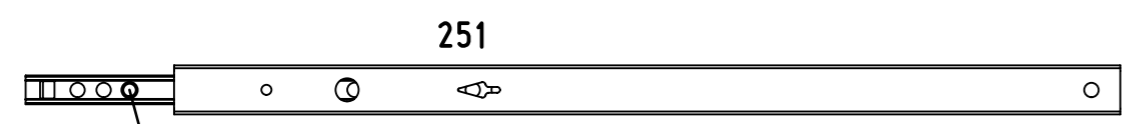
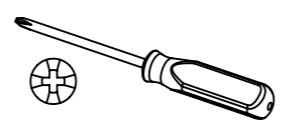
328x17x9,5

2x

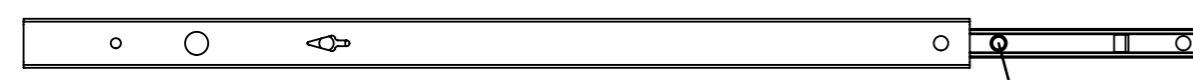
227



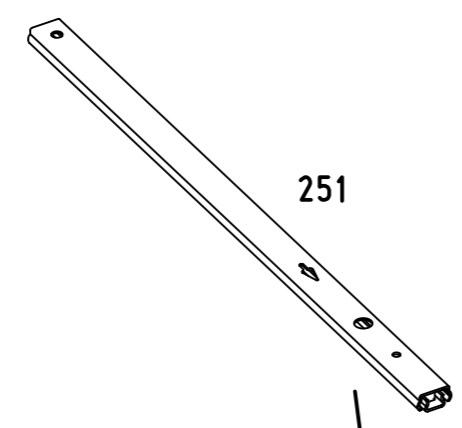
6x10,5



1. 227



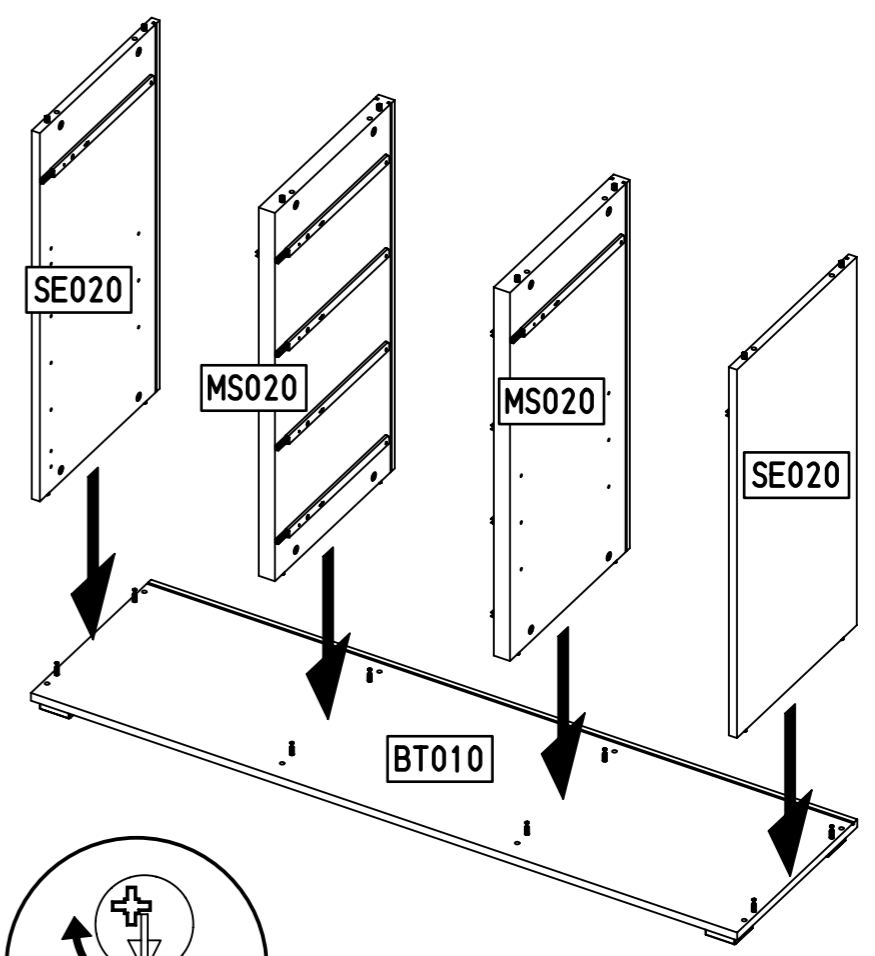
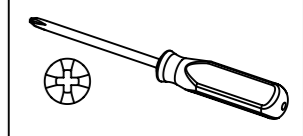
2. 227



251

SE020

12



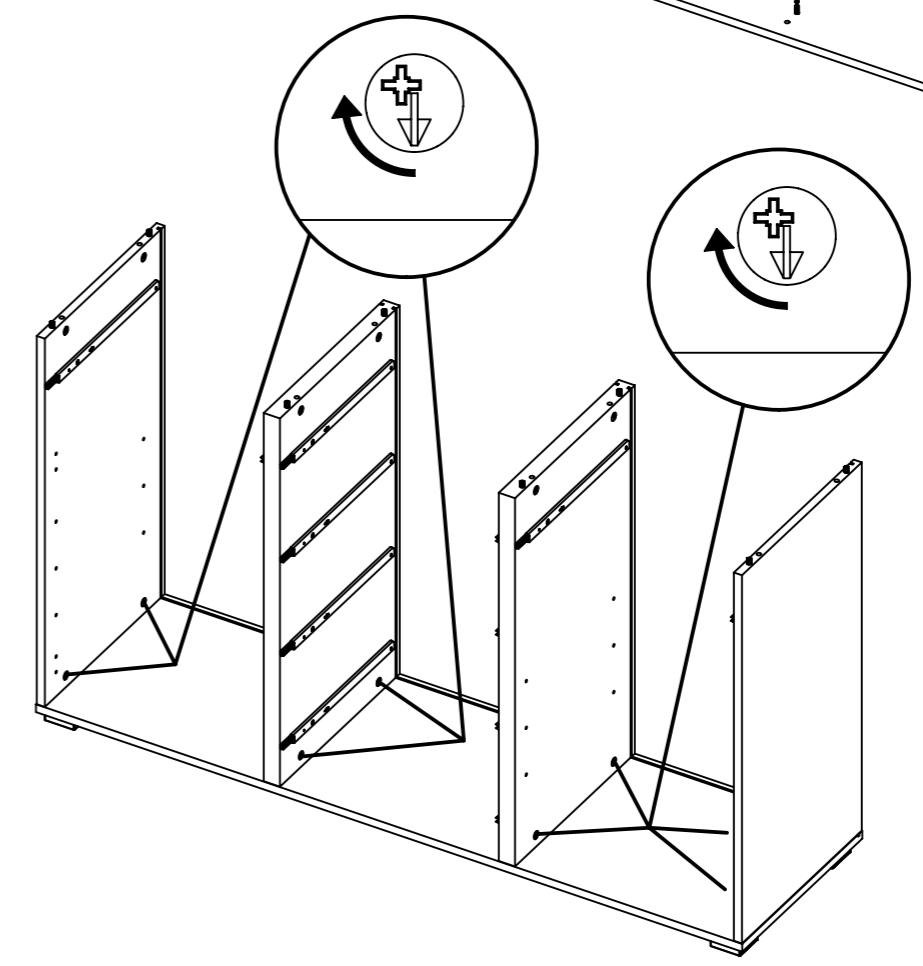
SE020

MS020

MS020

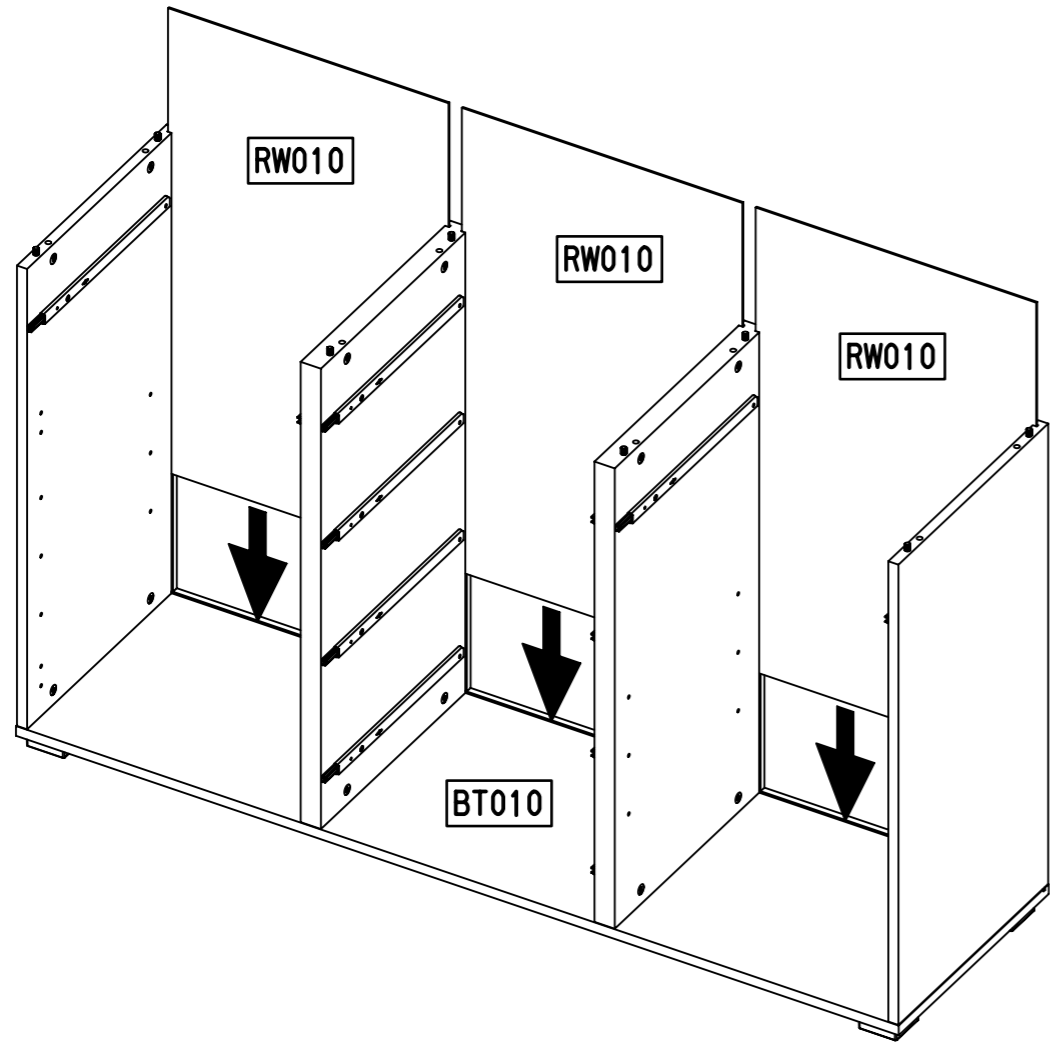
SE020

BT010



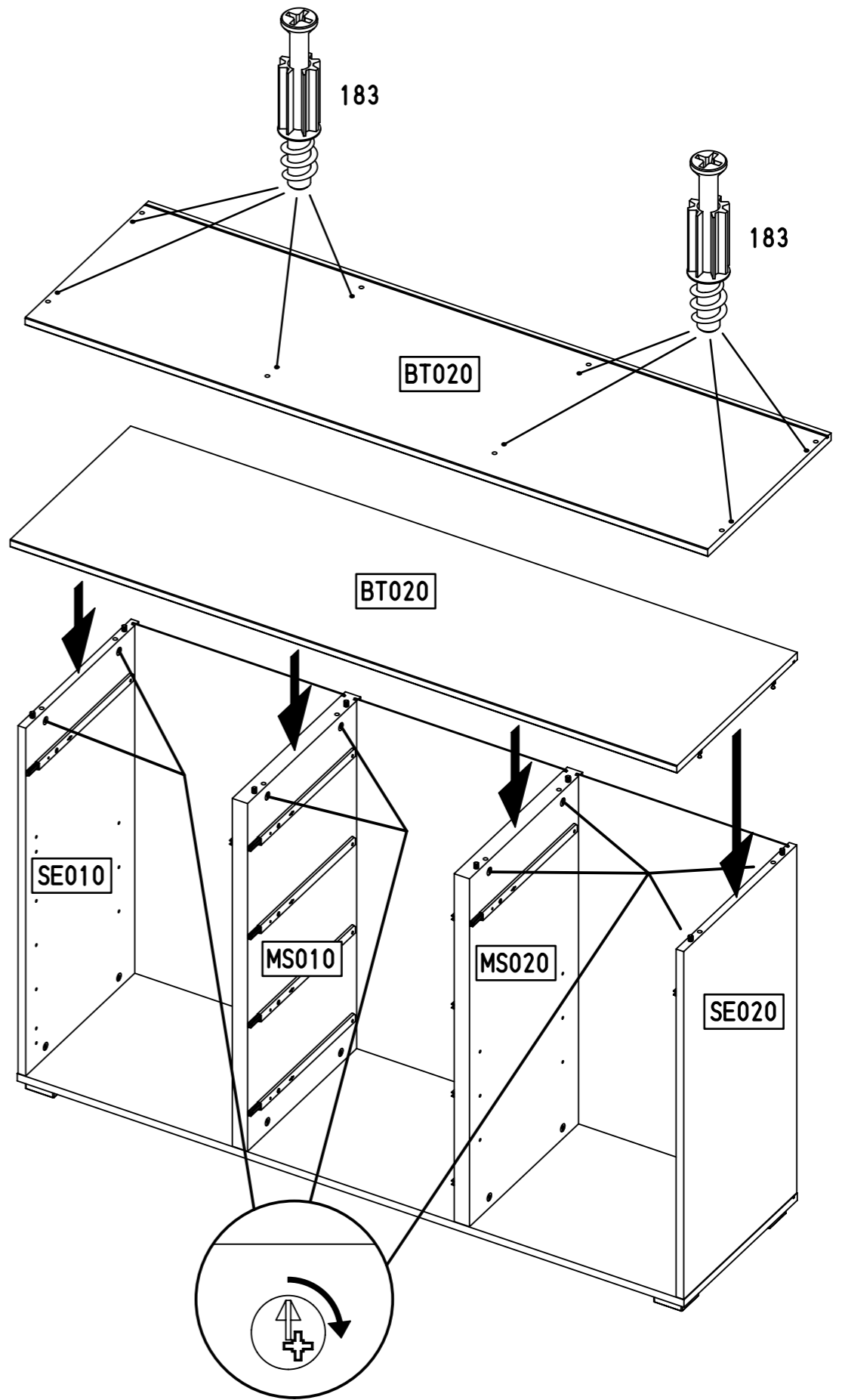
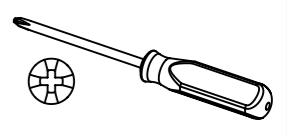
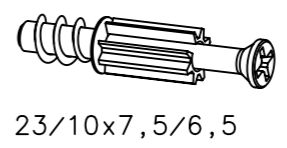


13



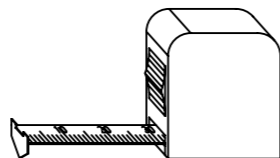
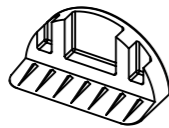
14

8x 183

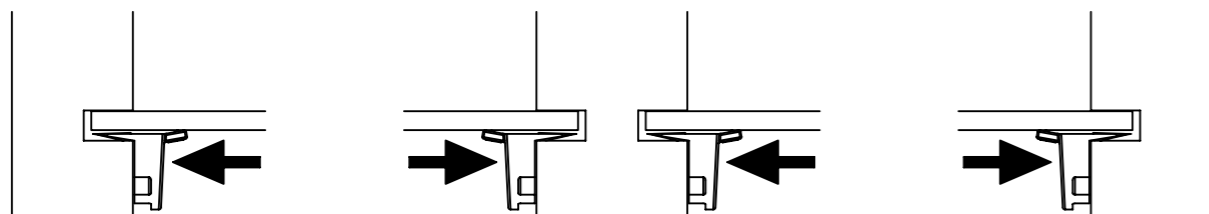
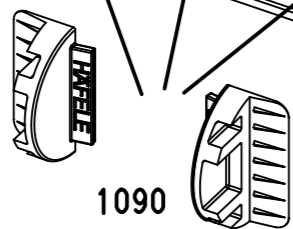
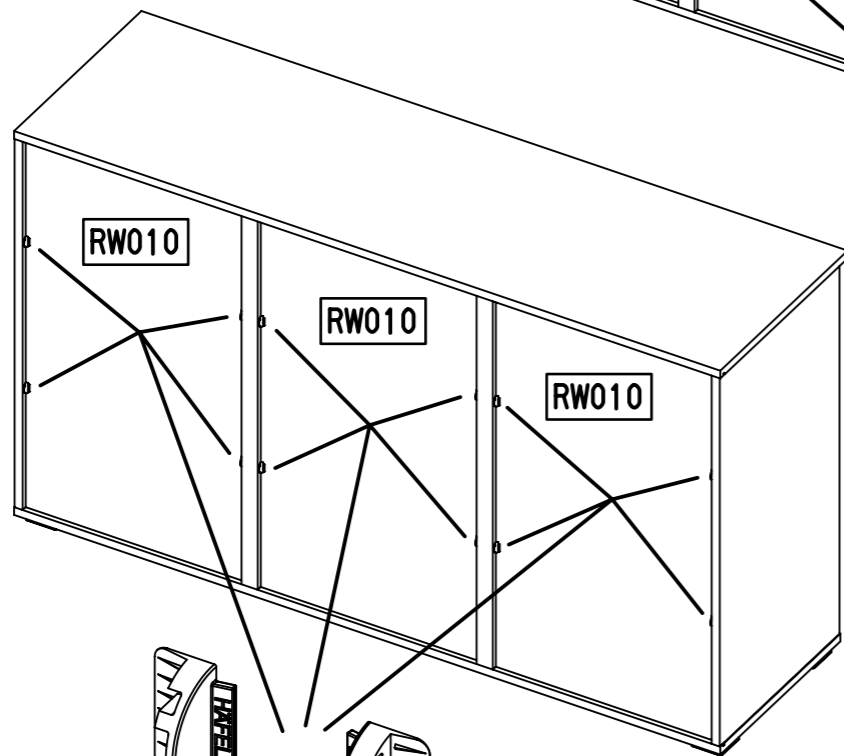
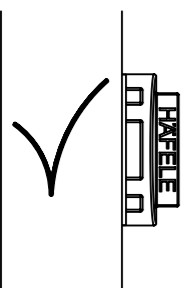
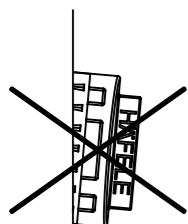
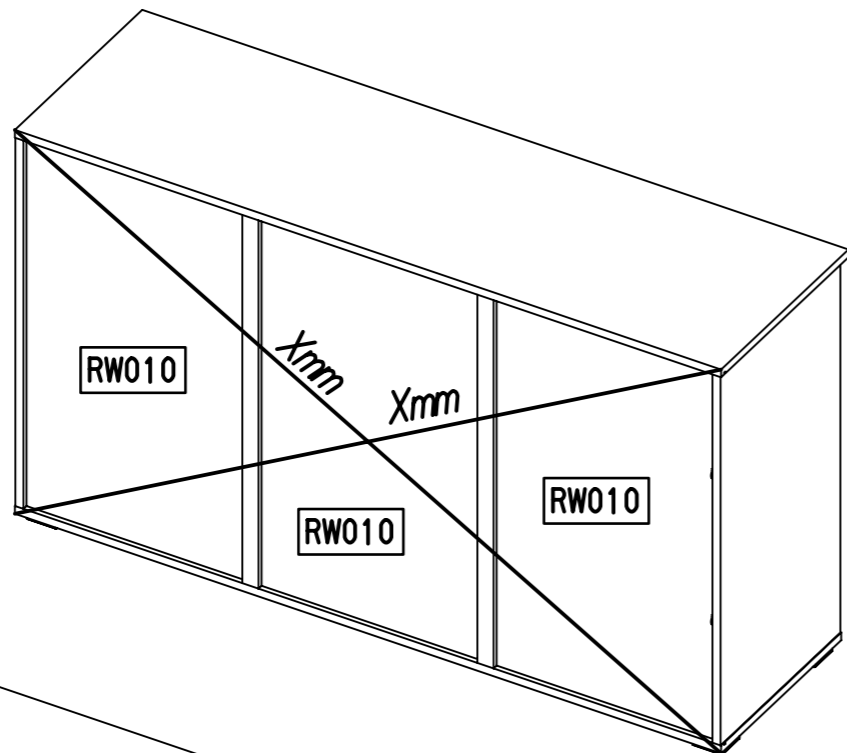
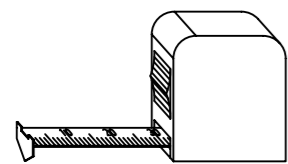


15

12x 1090

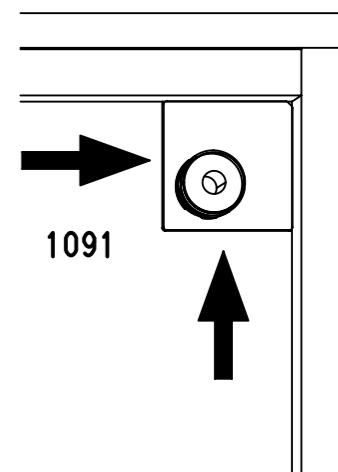
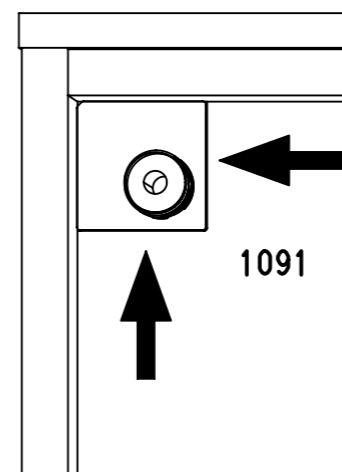
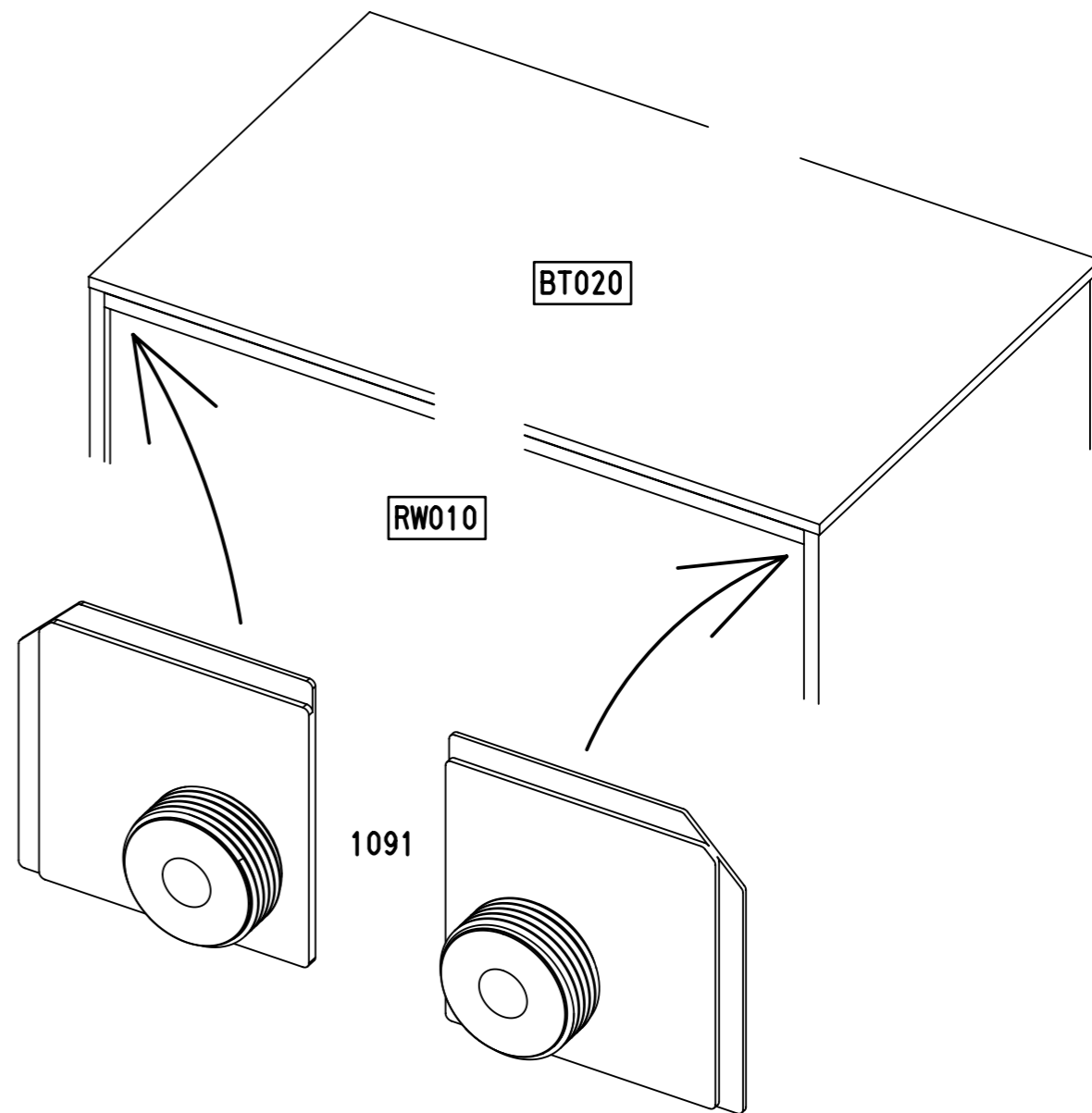
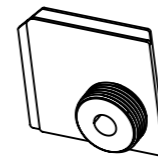


Xmm = Xmm



16

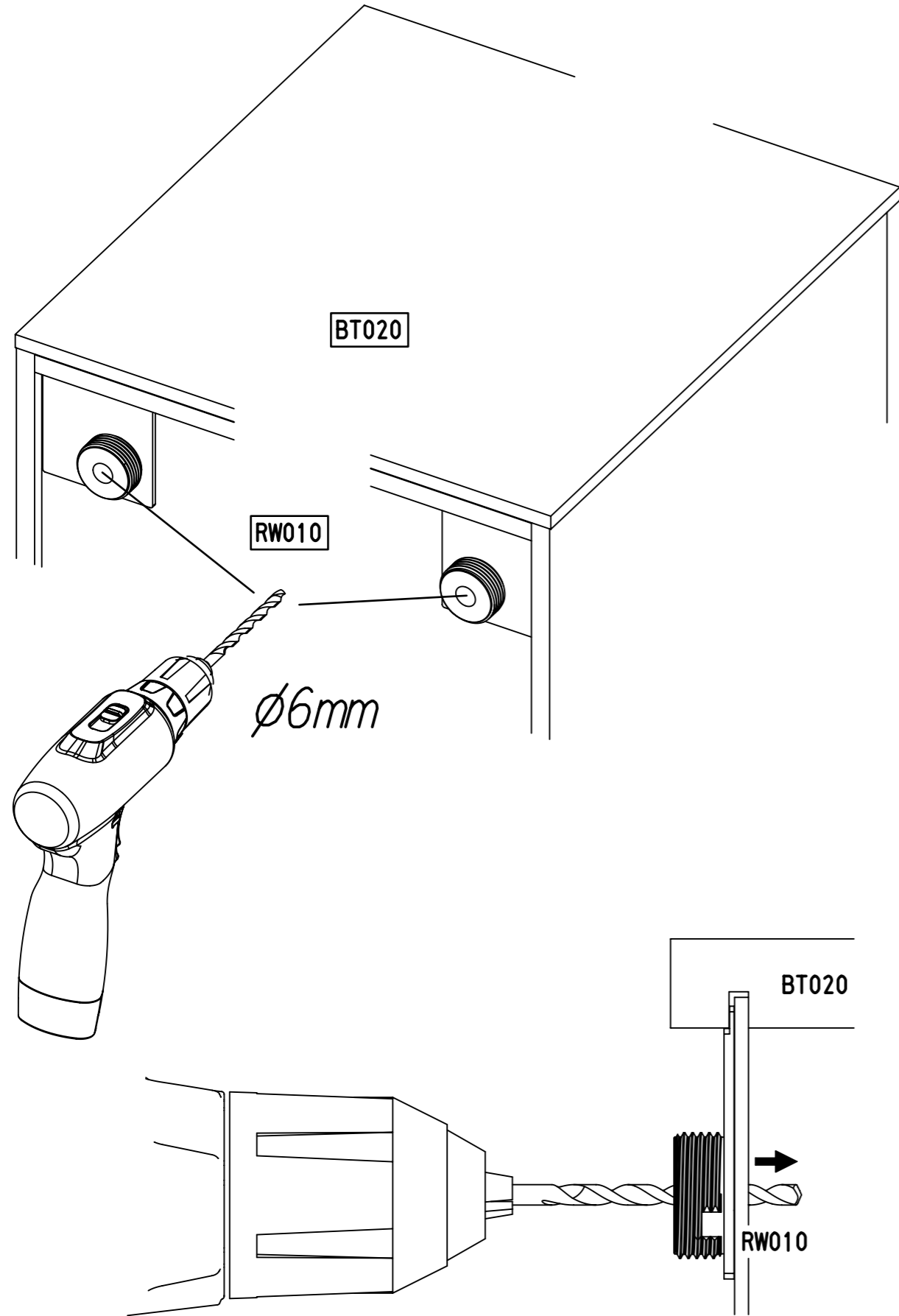
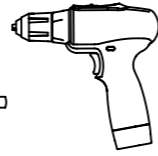
2x 1091



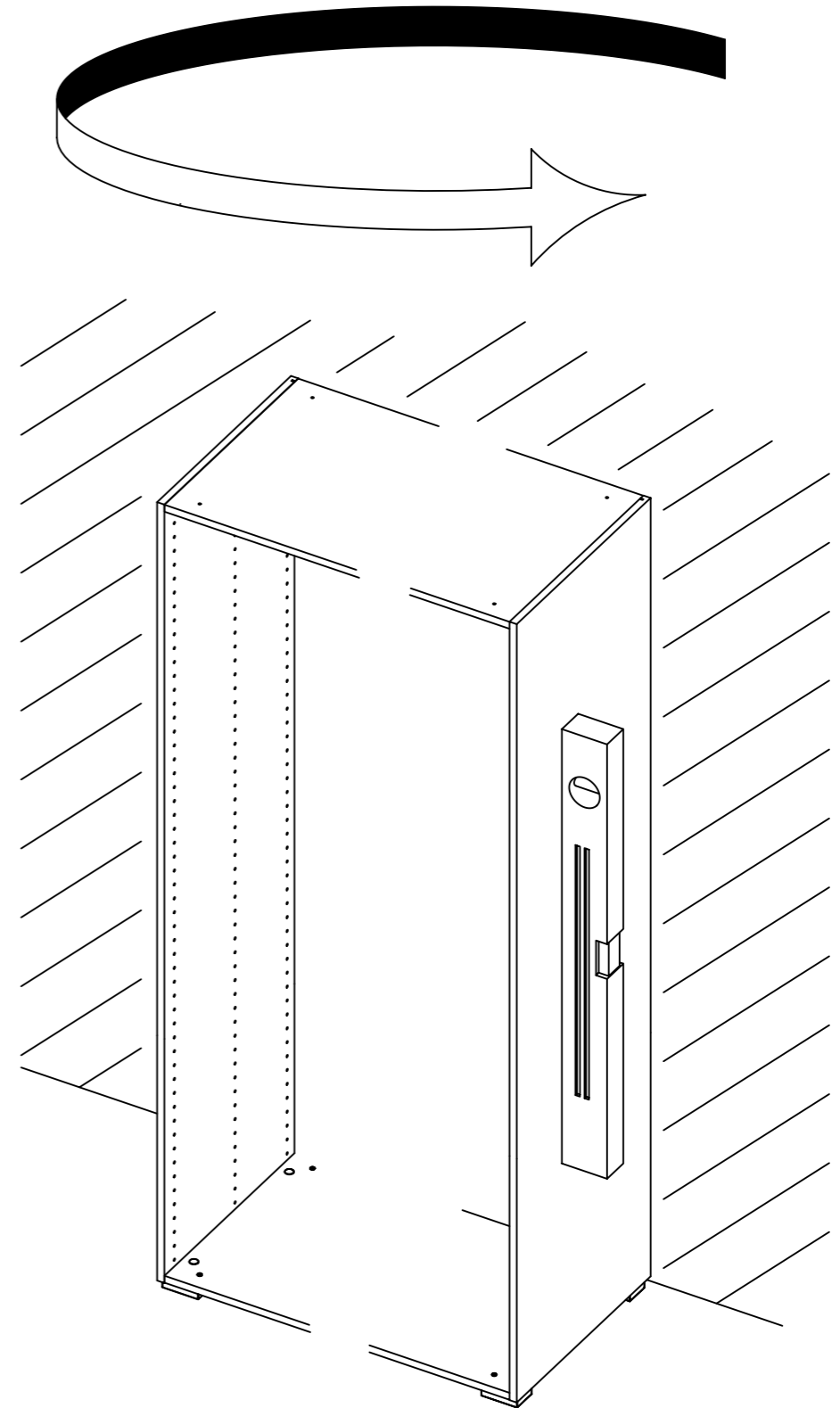
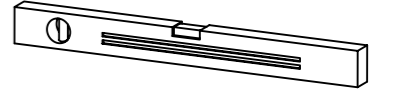
RW010

17

∅6mm

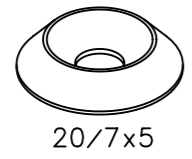


18



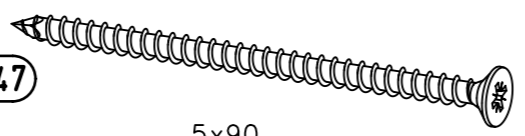
19

2x 1093

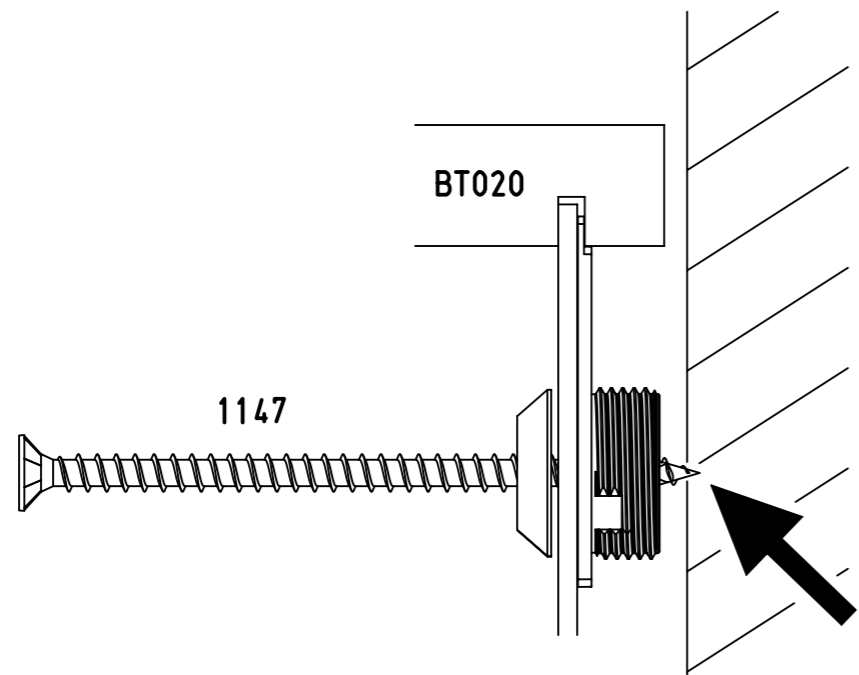
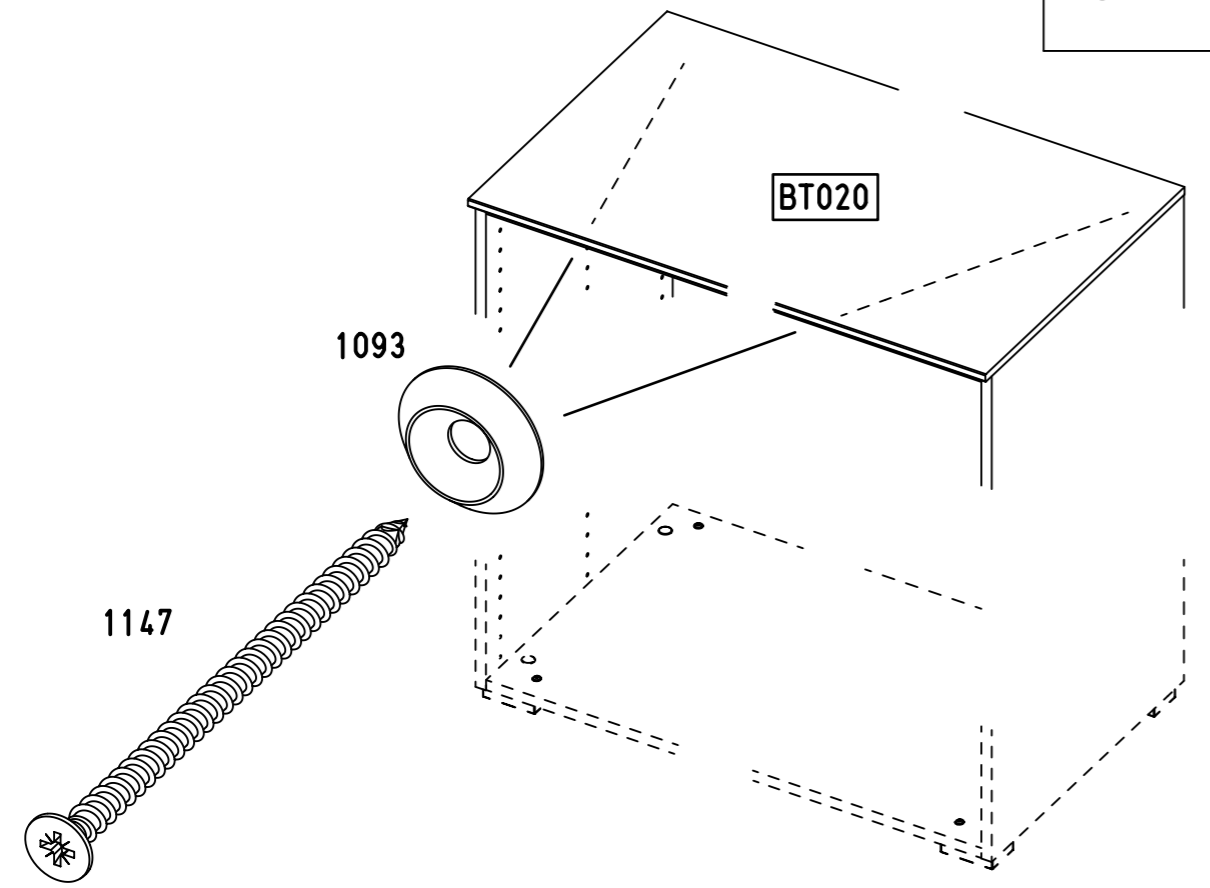
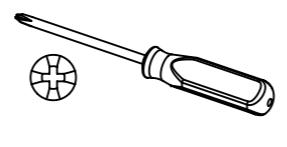


20/7x5

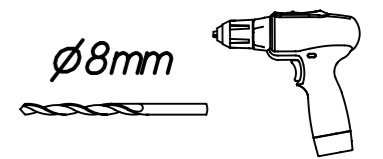
2x 1147



5x90

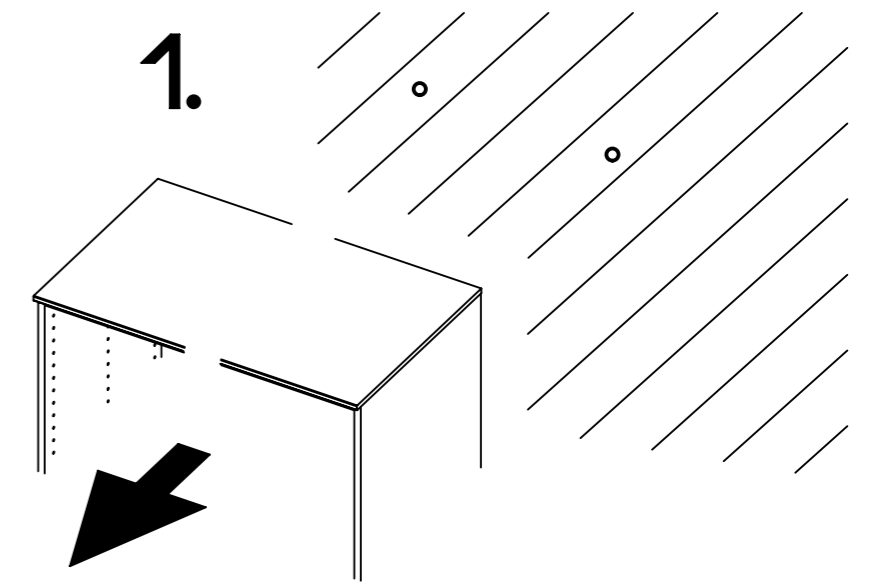


20

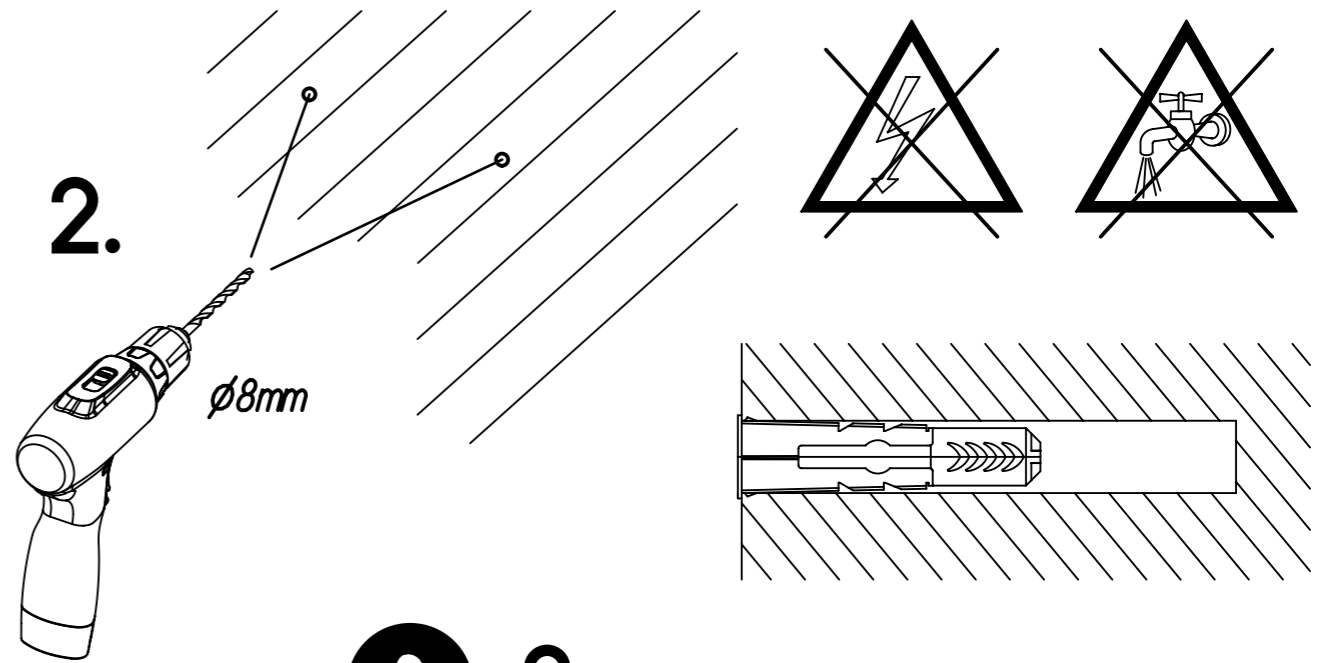


ø8mm

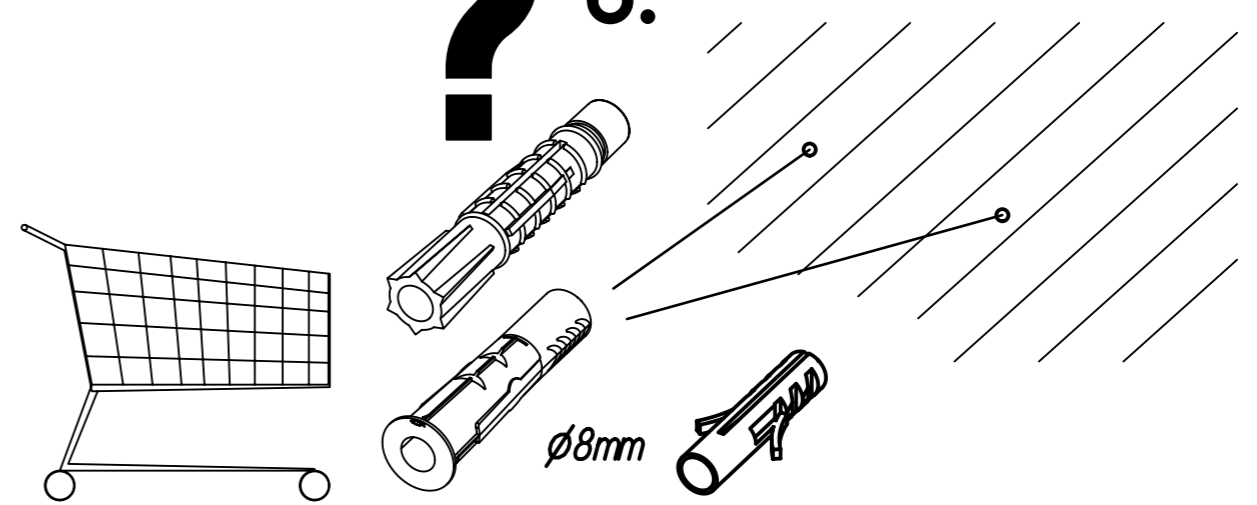
1.



2.

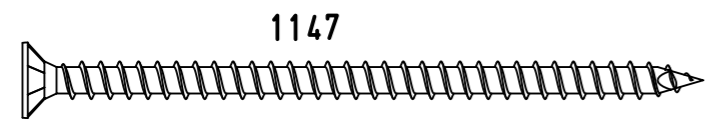
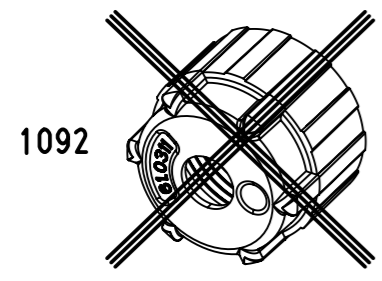
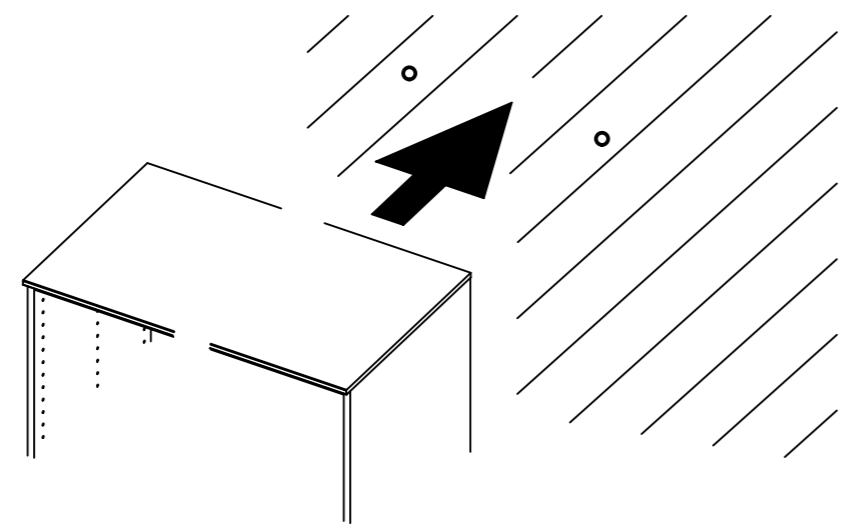
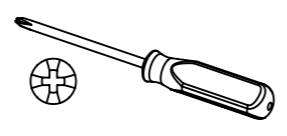
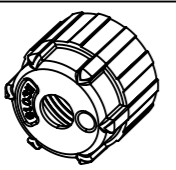


? 3.

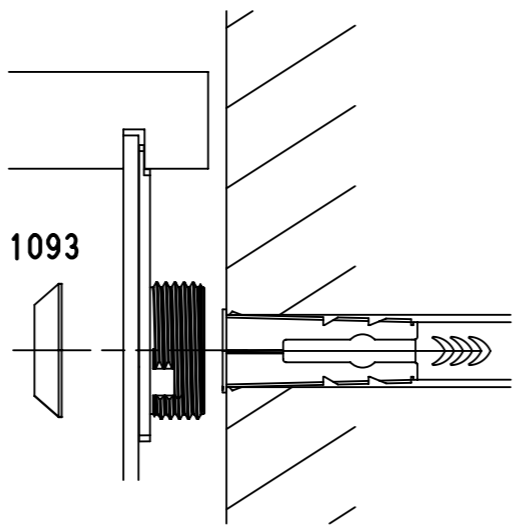


21

2x 1092



1093



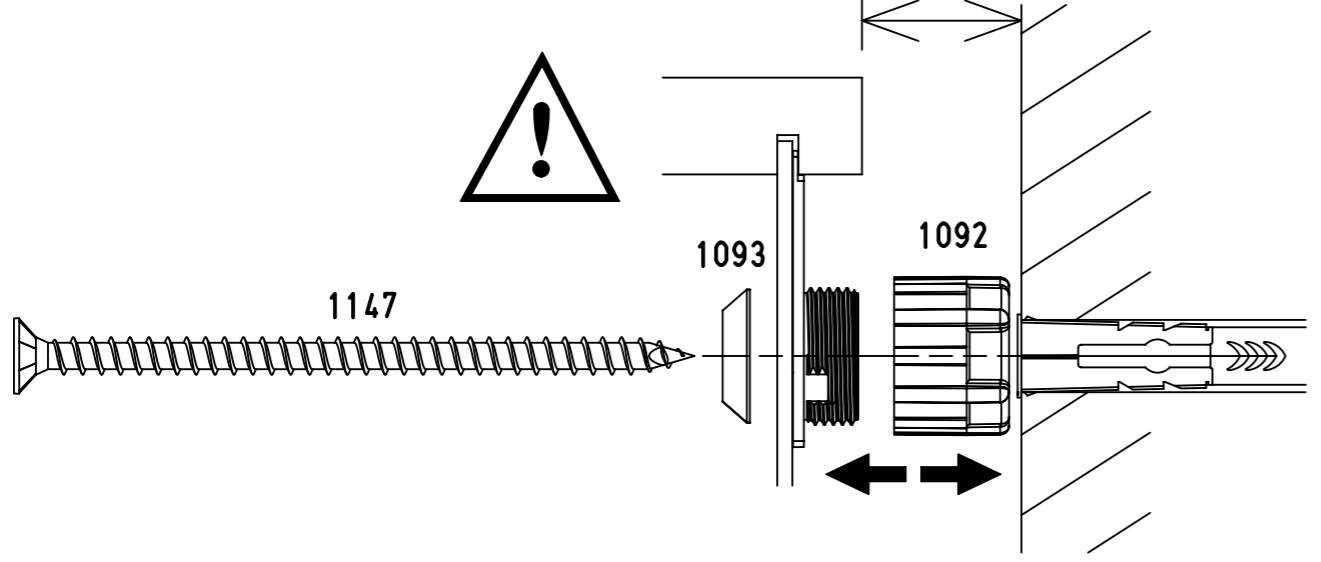
10-15mm



1147

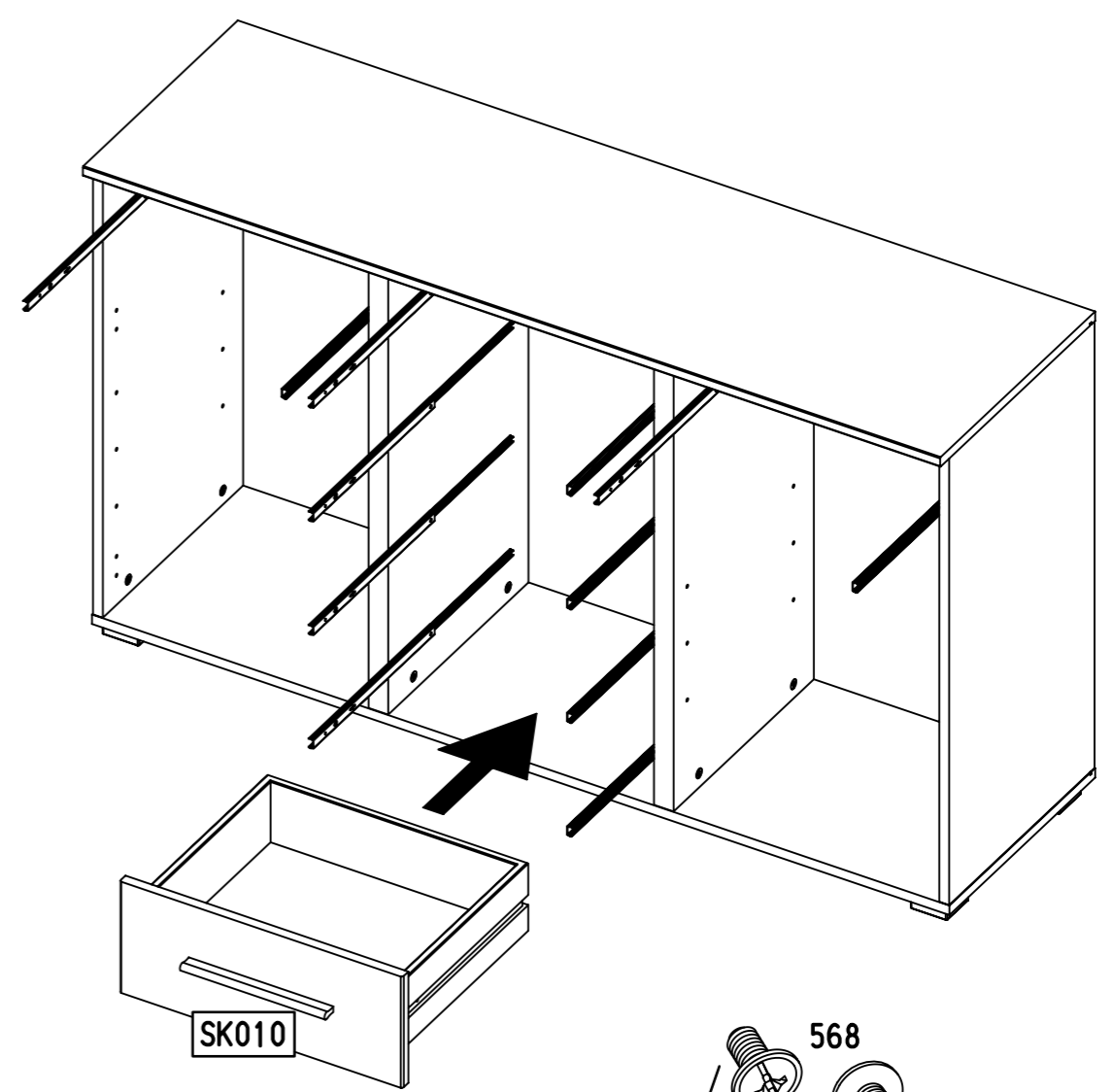
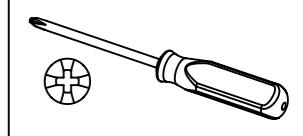
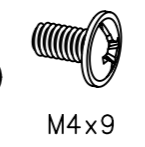
1093

1092



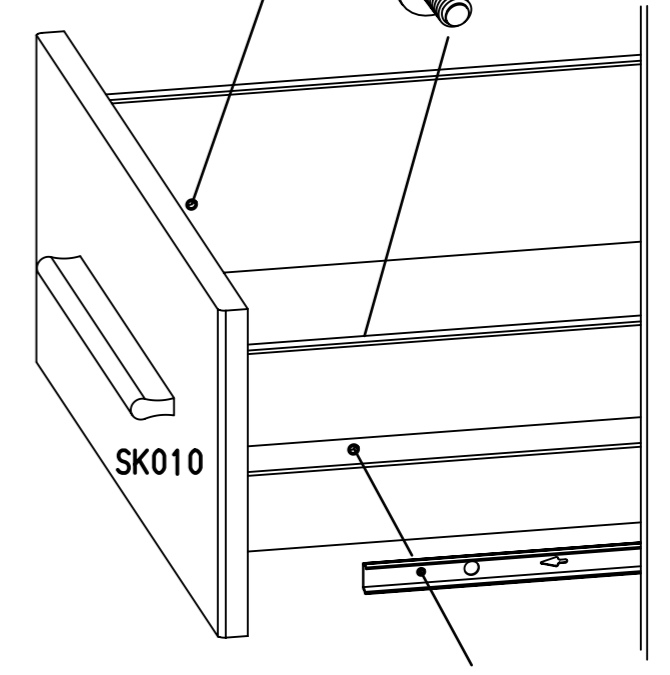
22

12x 568



SK010

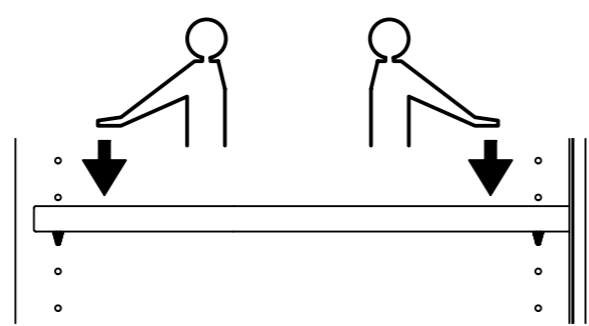
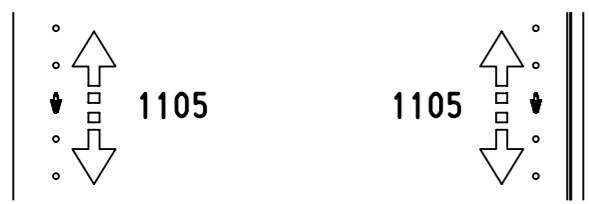
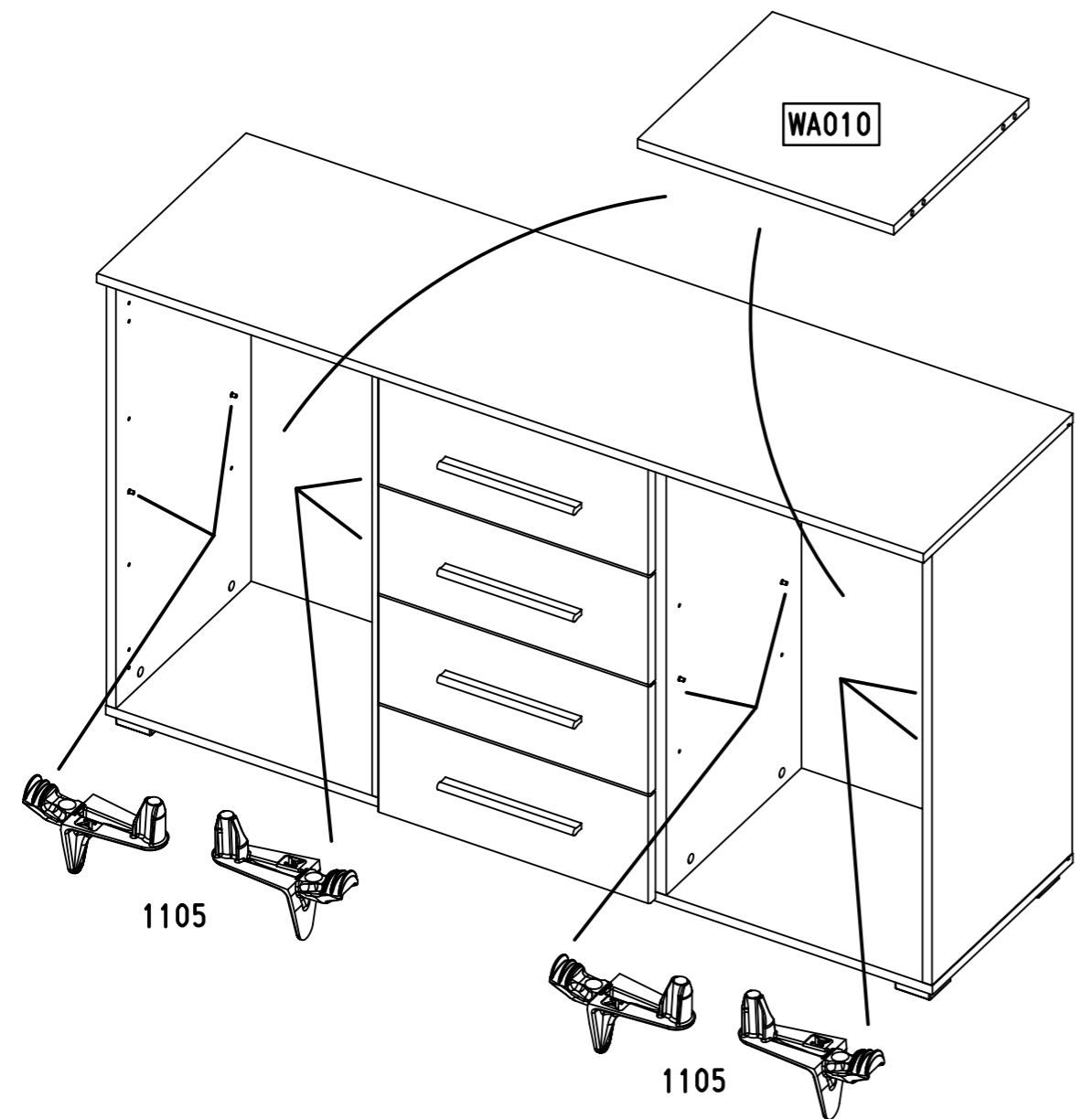
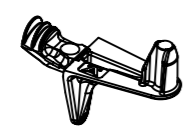
568



SK010

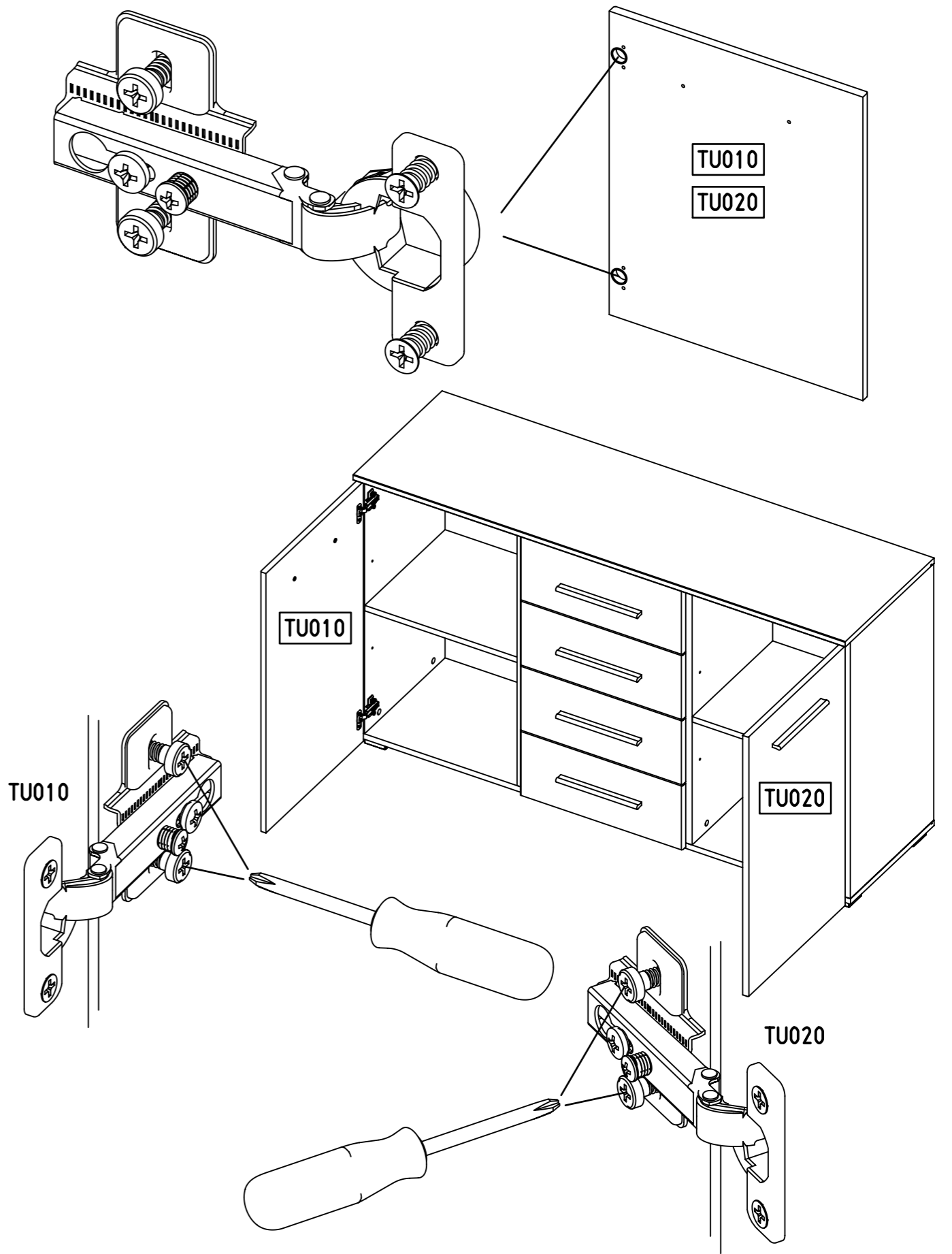
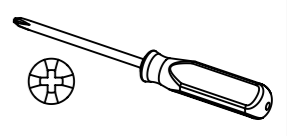
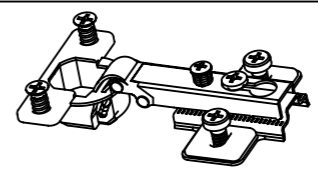
23

8x 1105



24

4x 130



25

