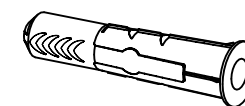
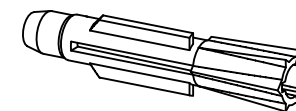
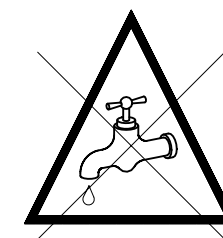
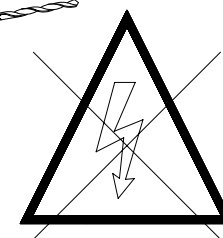
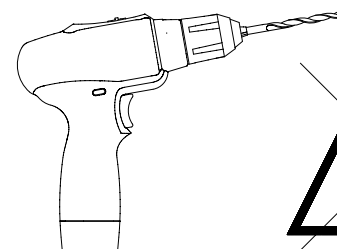
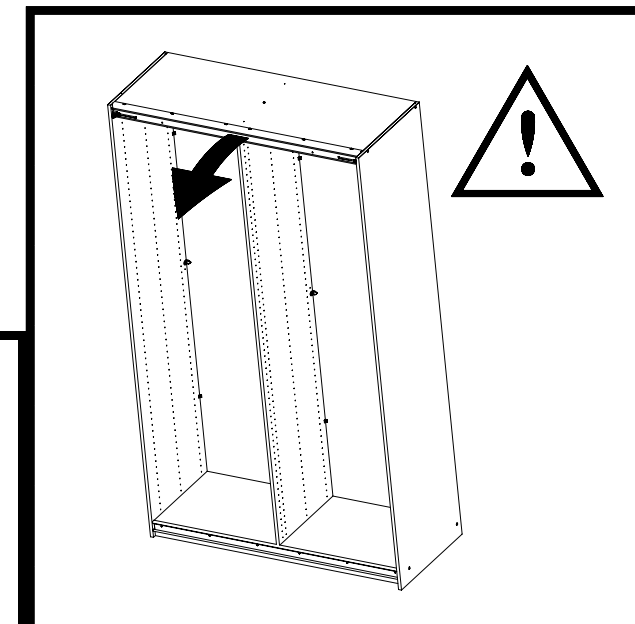
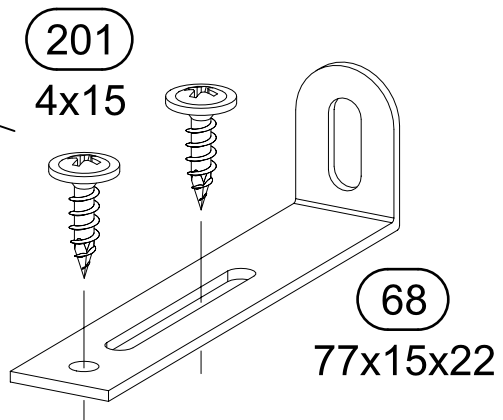
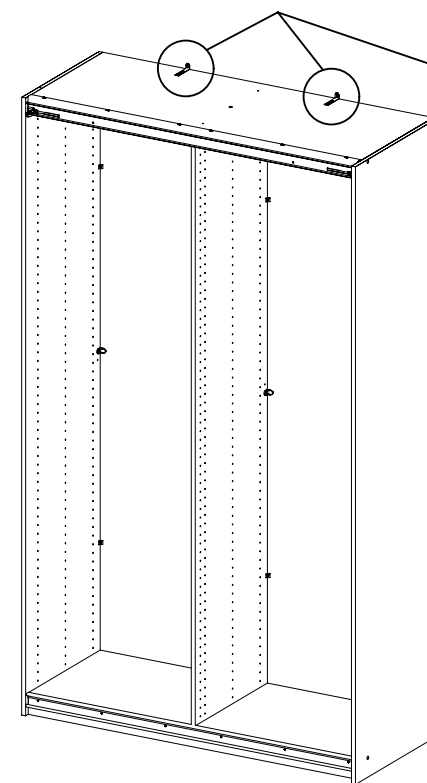
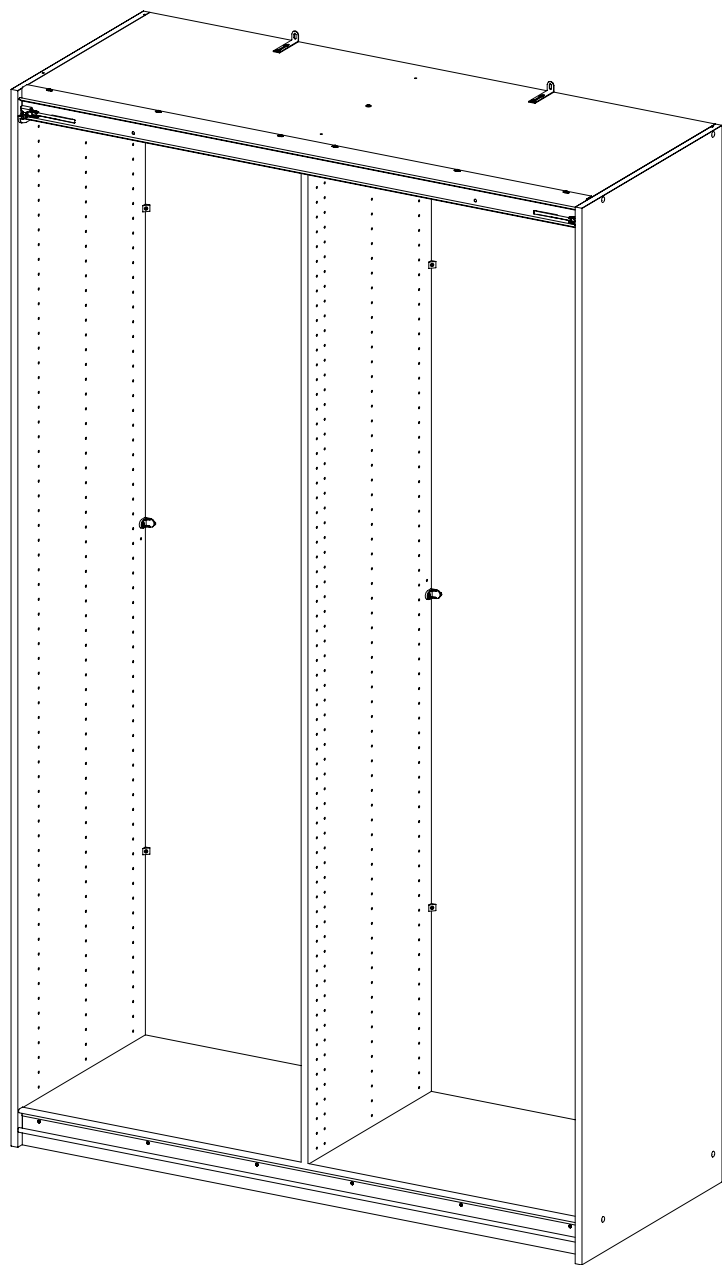
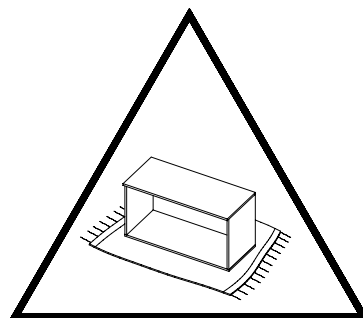
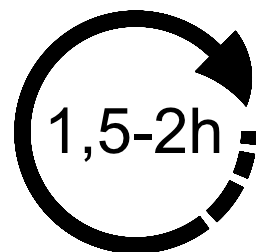
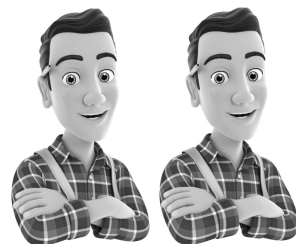
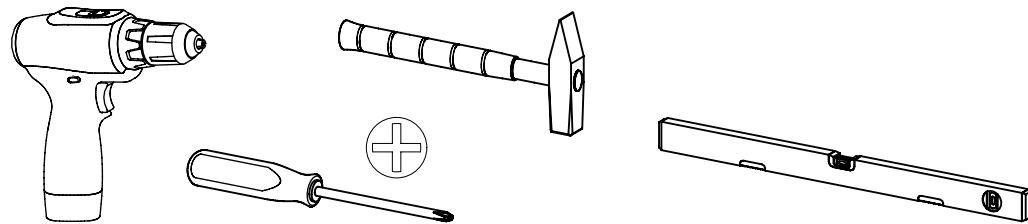
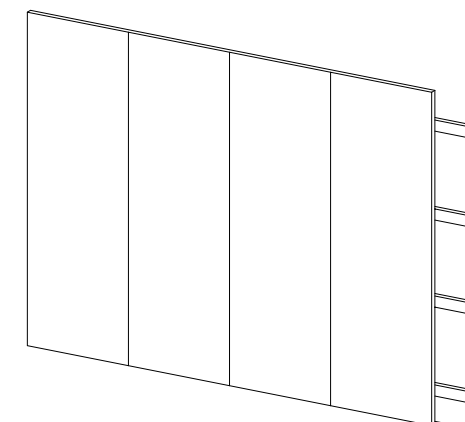
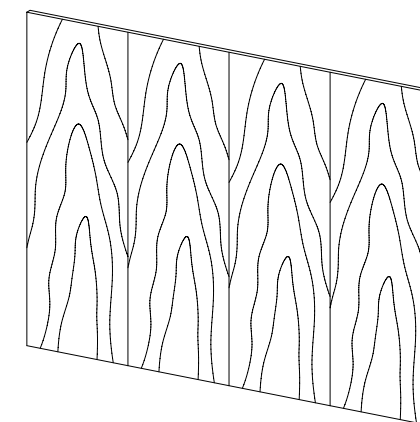
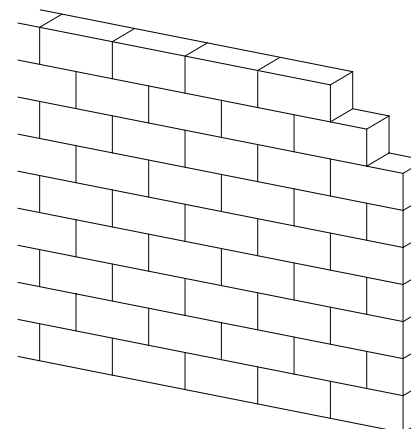
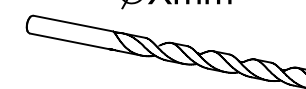
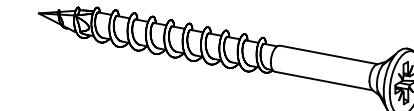
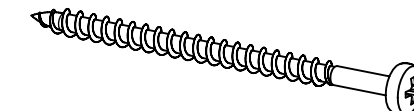


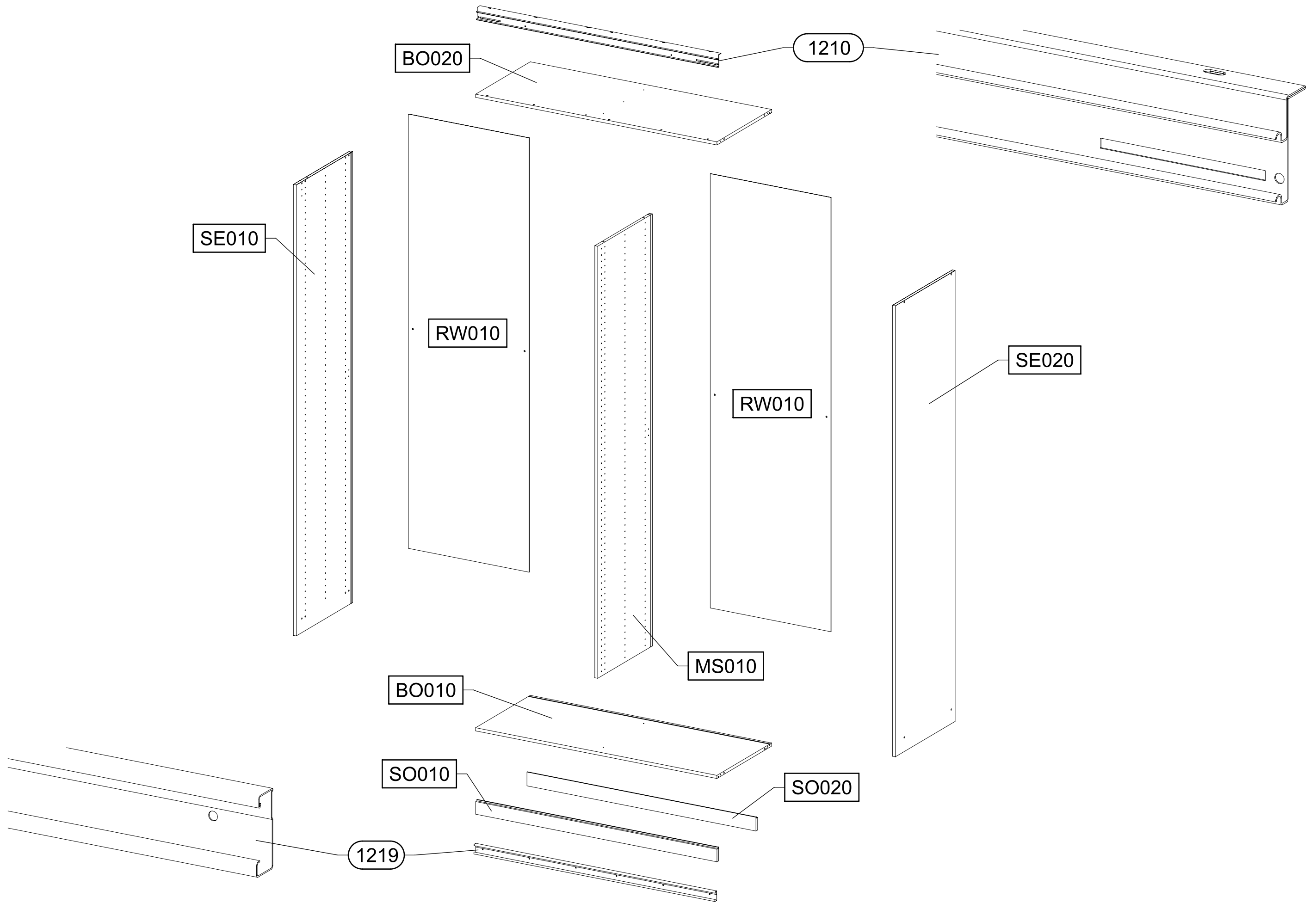
M2572\_04

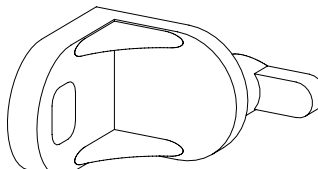
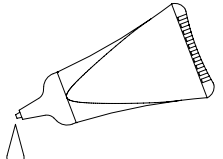
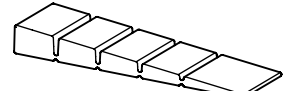

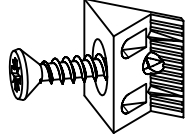
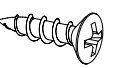
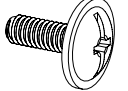
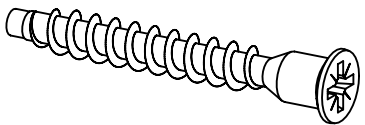
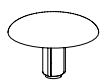
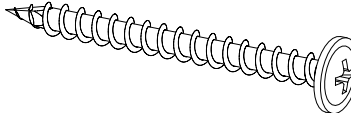
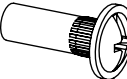
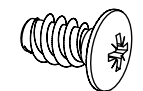
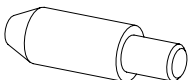
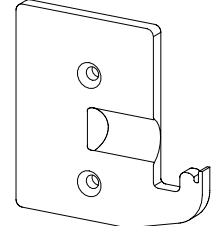
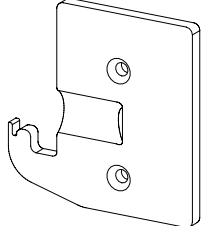
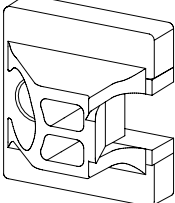
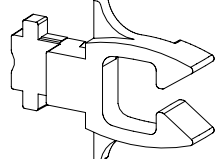
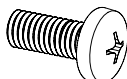
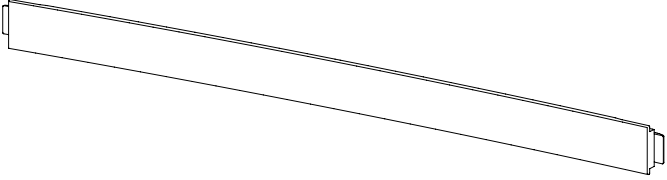

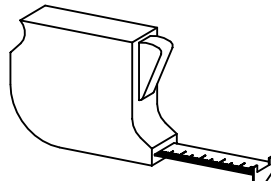
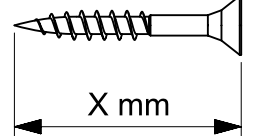
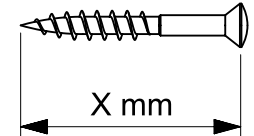
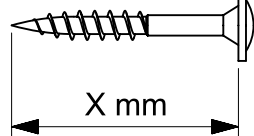
rauch



ØXmm





|   |   |  |   |
|---|---|--|---|
| 4x<br>1<br>              | 11<br>                   | 2x<br>55x16x6,2<br>12<br> |   |
| 8x<br>18<br>8x30<br>     | 8x<br>45<br>             | 10x<br>205<br>3,5x15<br>  |   |
| 6x<br>211<br>M4x12<br>   | 8x<br>233<br>6,3x50<br>  | 8x<br>271<br>             |   |
| 1x<br>296<br>4,5x50<br> | 6x<br>580<br>M4<br>     | 4x<br>779<br>6,5x12<br>  |   |
| 4x<br>807<br>          | 1x<br>1165<br>         | 1x<br>1166<br>          |   |
| 2x<br>1167<br>         | 2x<br>1168<br>         | 2x<br>1279<br>M5x12<br> |   |
| 2x<br>1280<br>         | 2x<br>1288<br>M5<br> |  |   |
|                        |                        |                          |  |

1

11

BO010

SO010

SO020

SO010

SO020

SO010

SO020

BO010

SO010

SO020

BO010

SO010

SO020

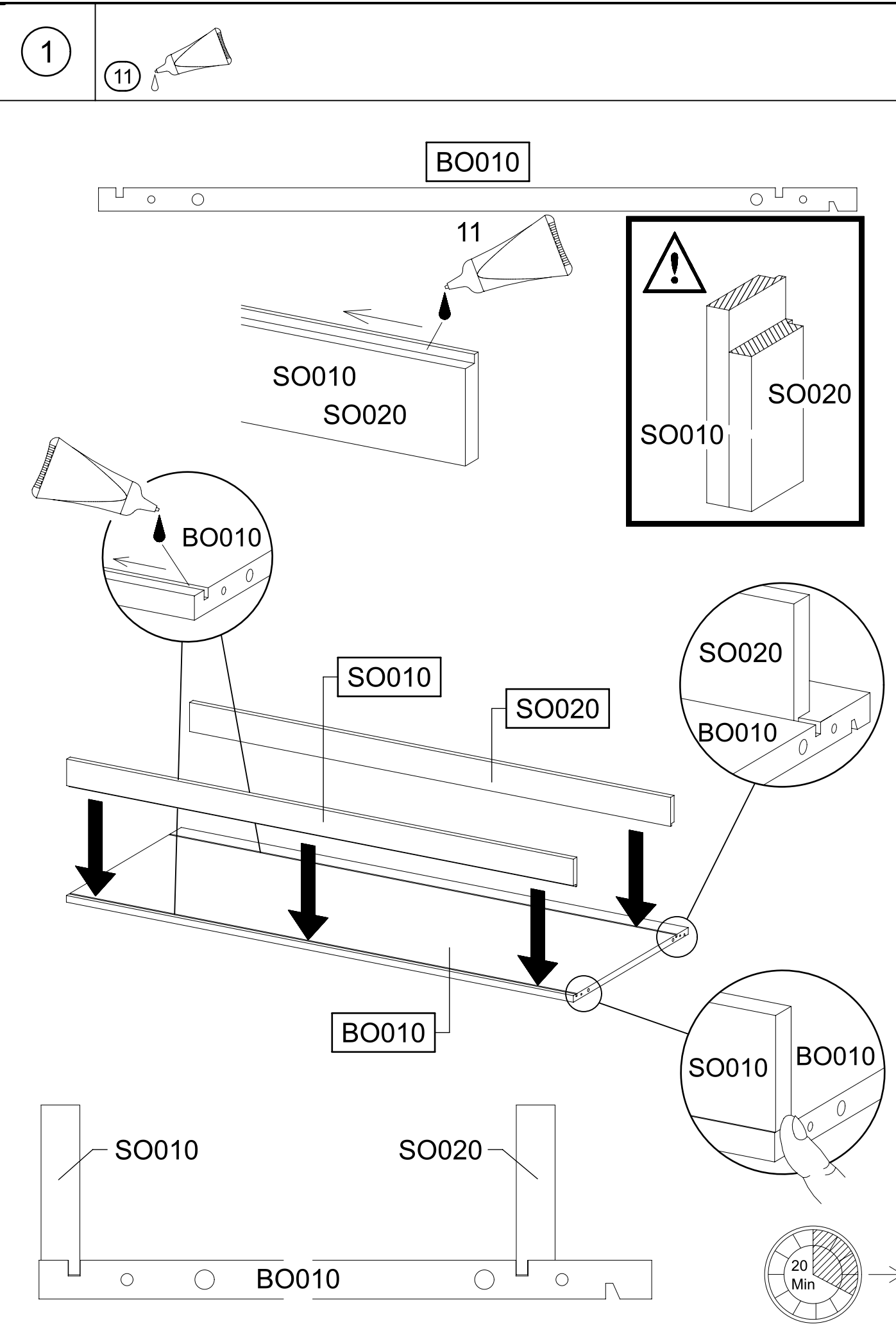
BO010

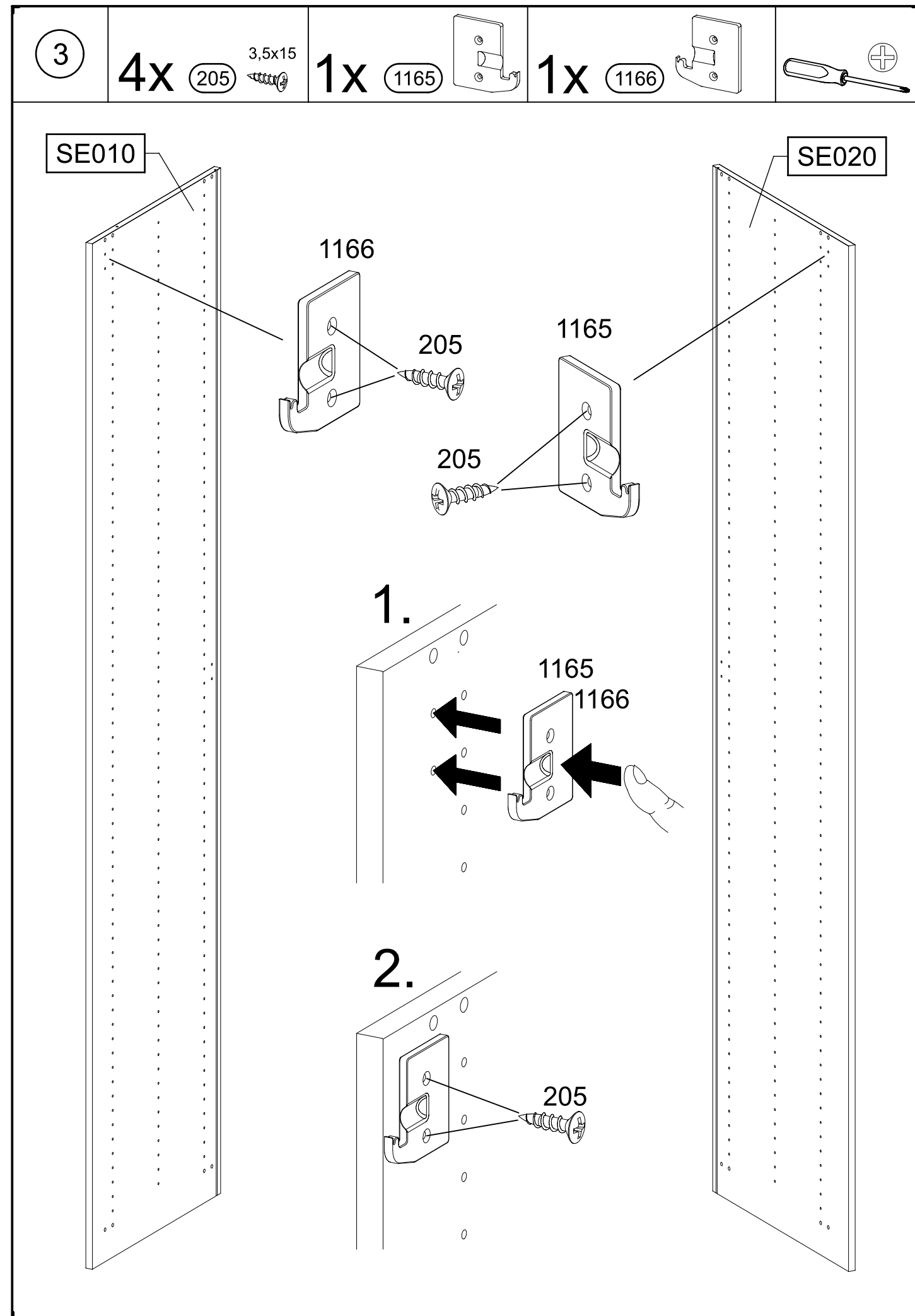
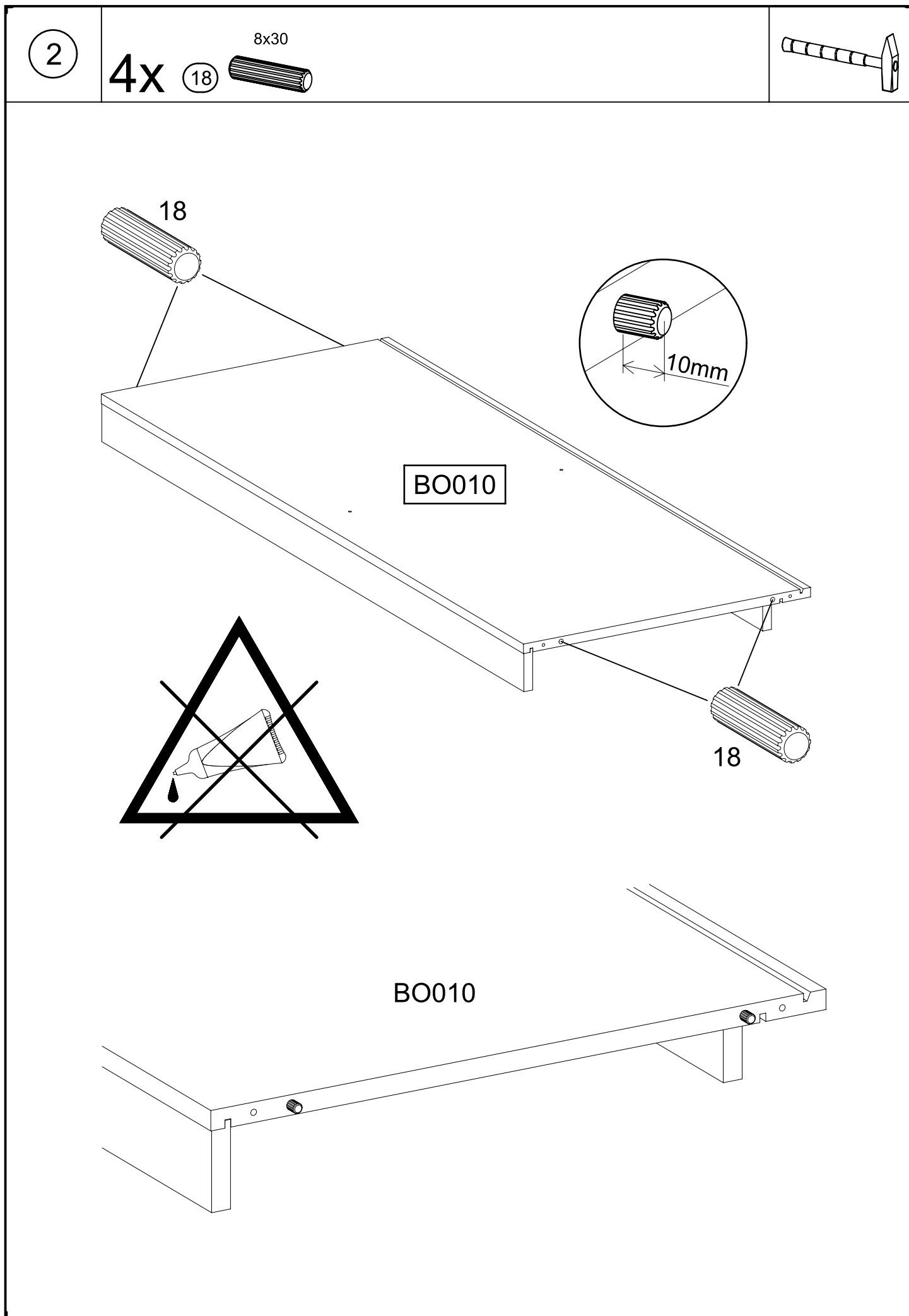
SO010

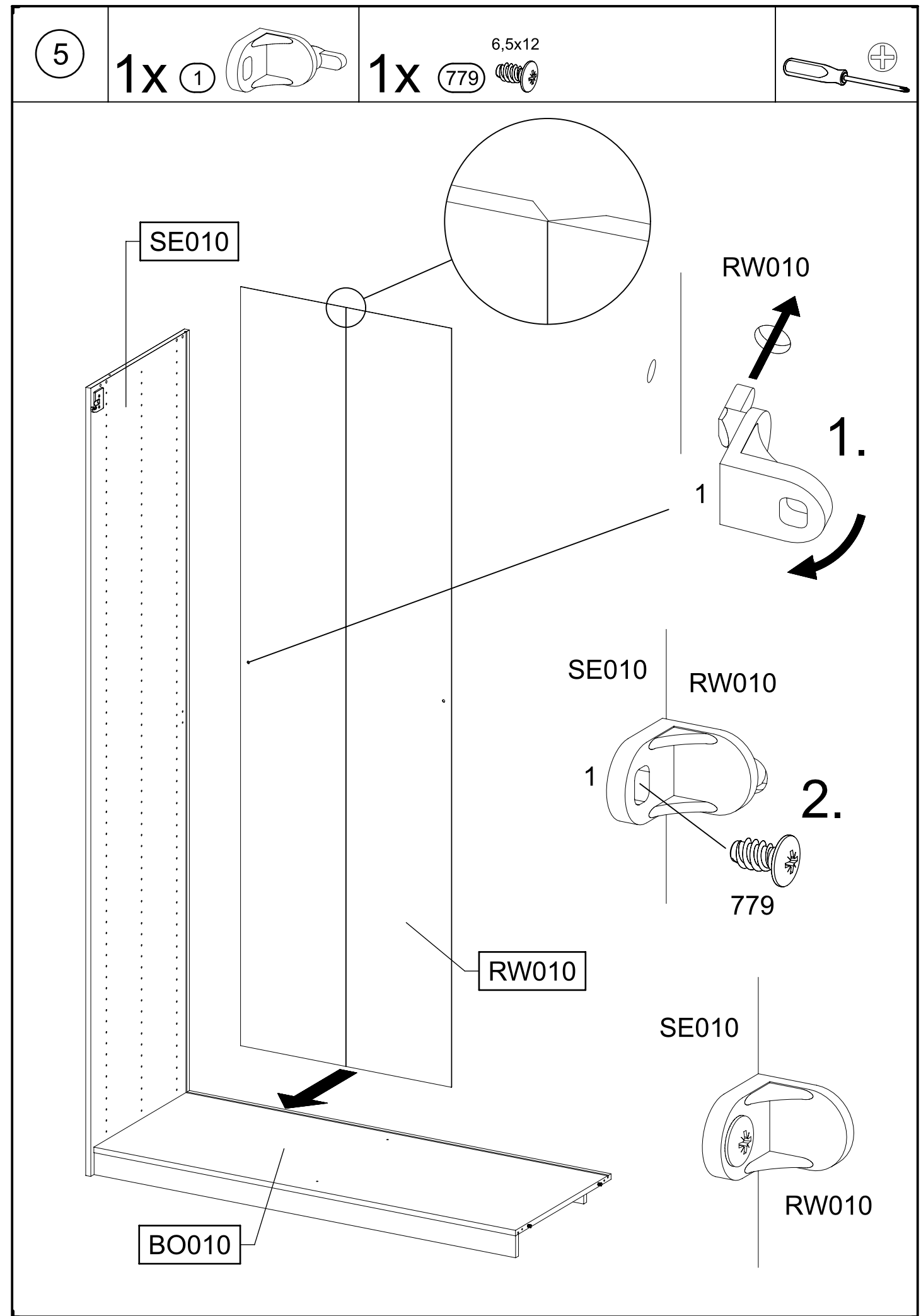
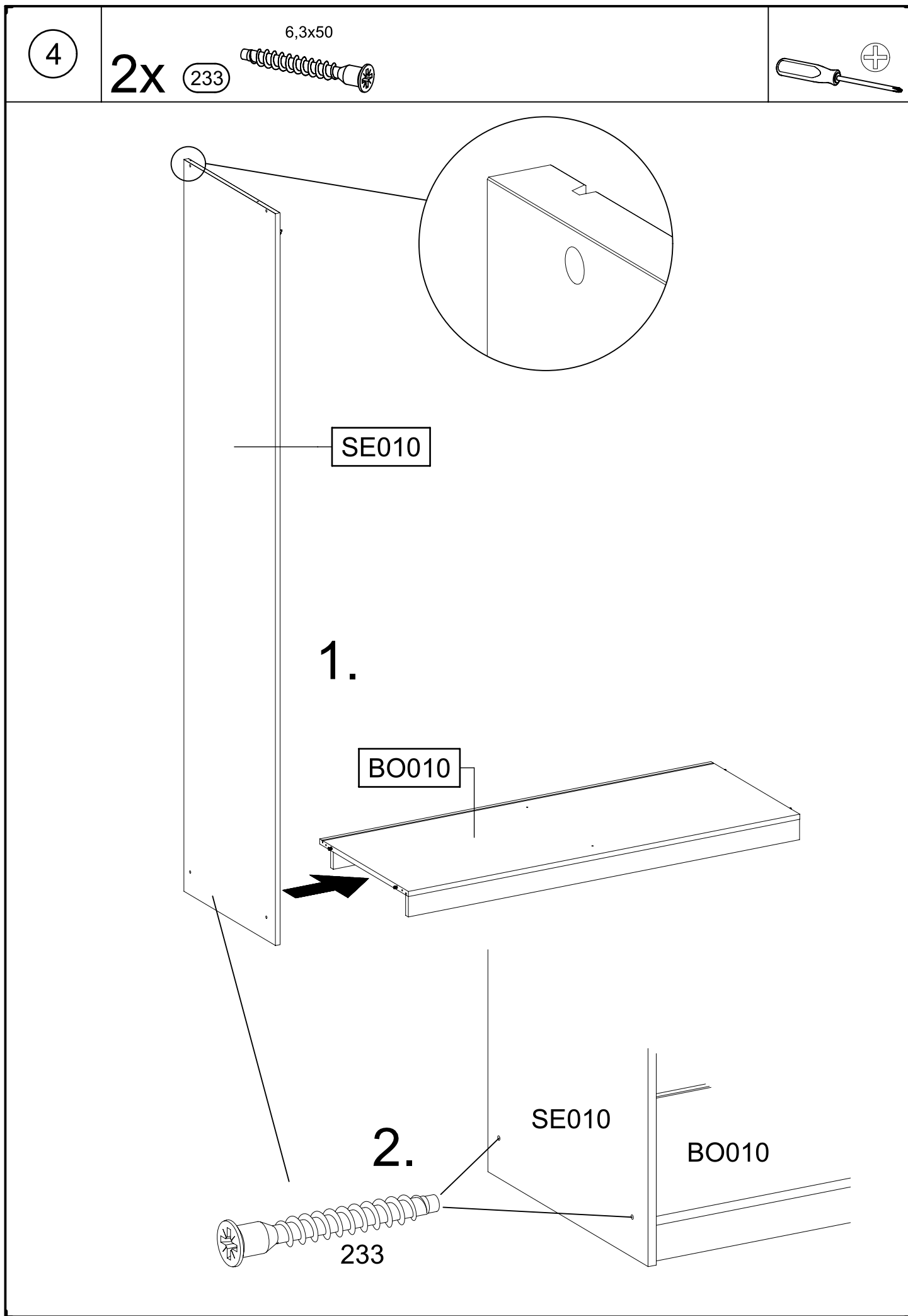
SO020

BO010

20 Min

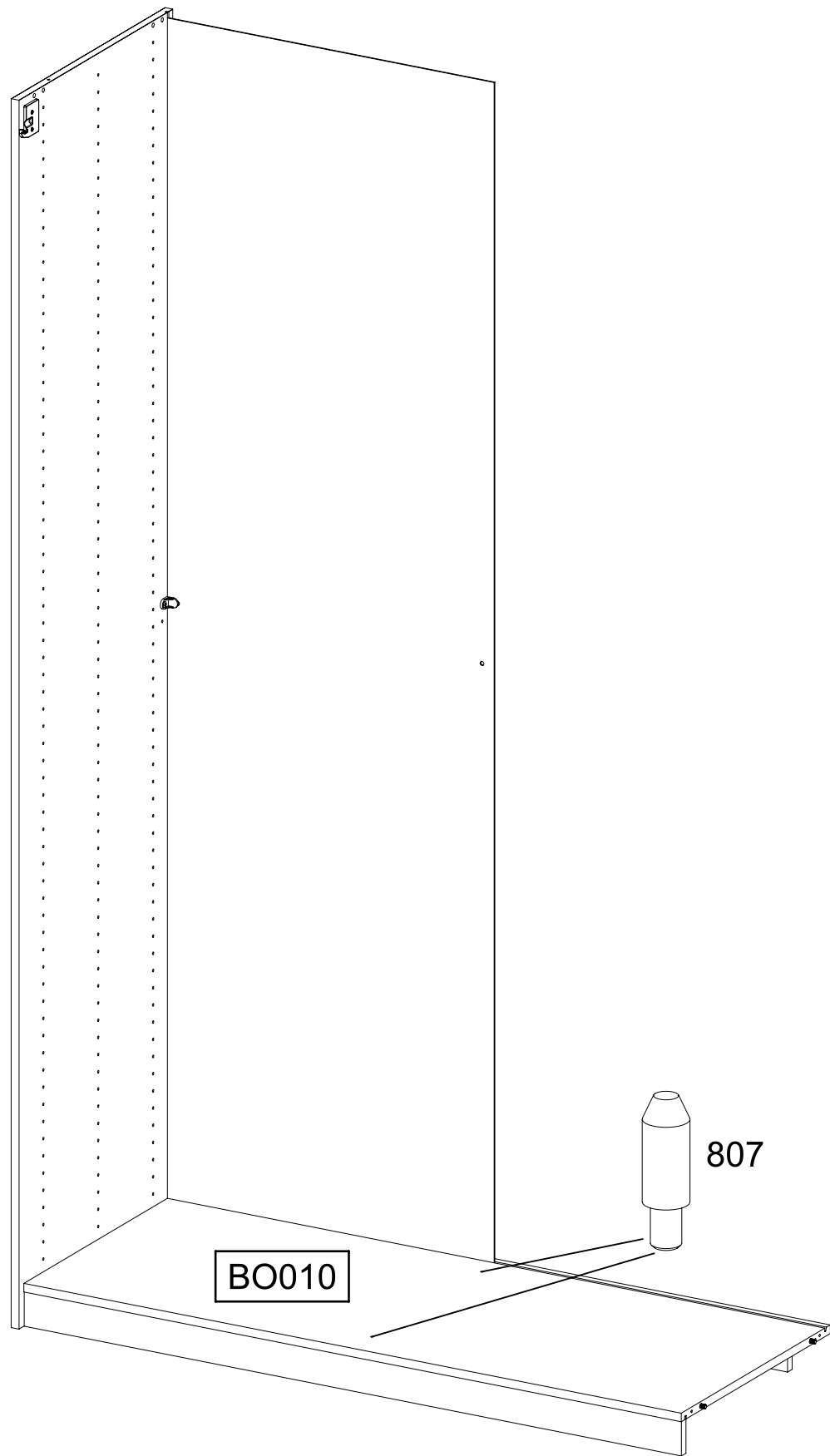
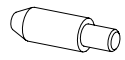






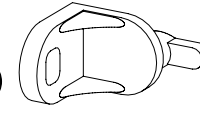
6

2x 807



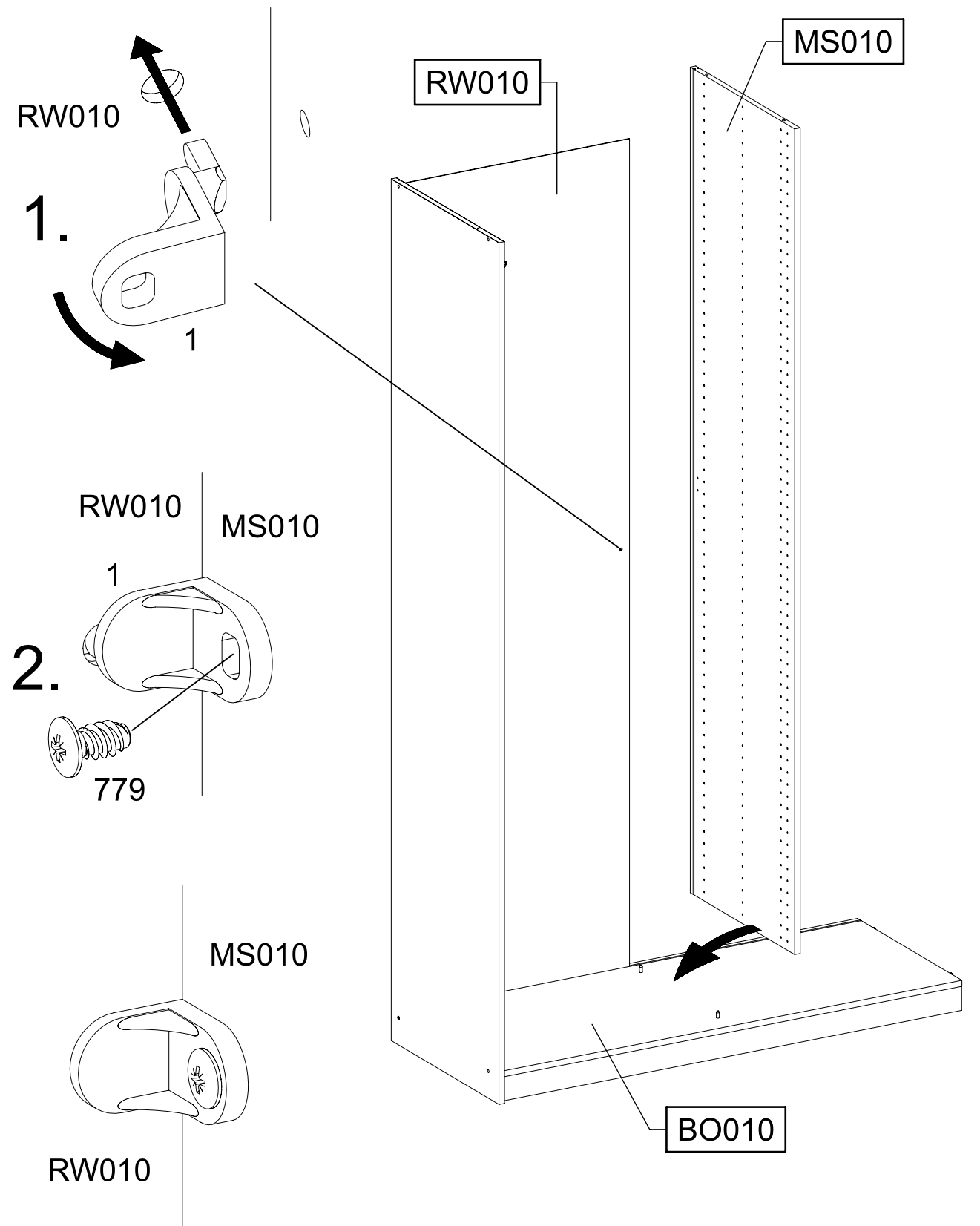
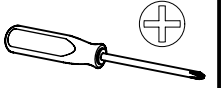
7

1x 1



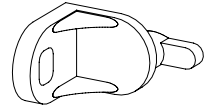
1x 779 6,5x12

6,5x12



8

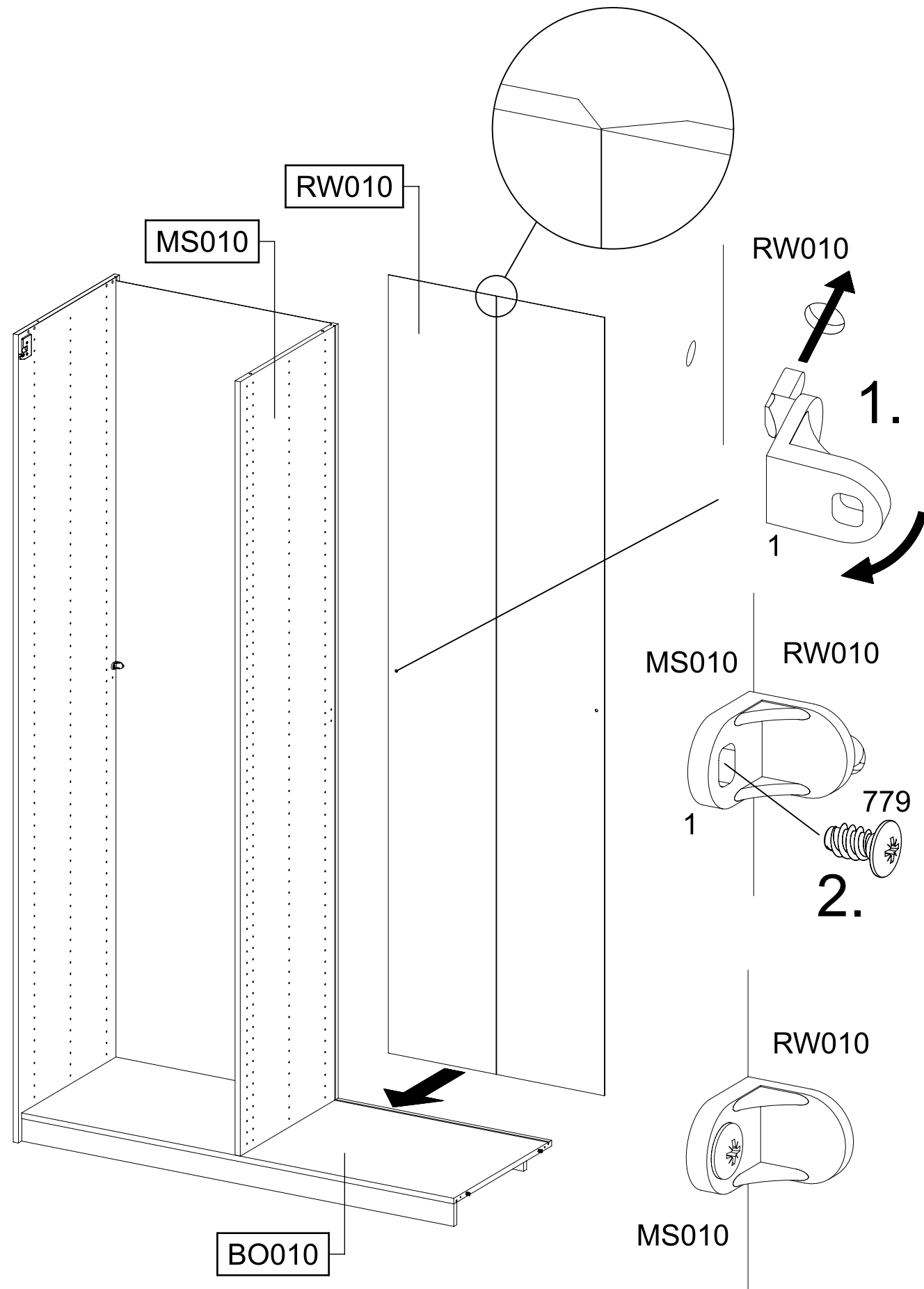
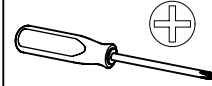
1x 1



1x

779

6,5x12



9

4x

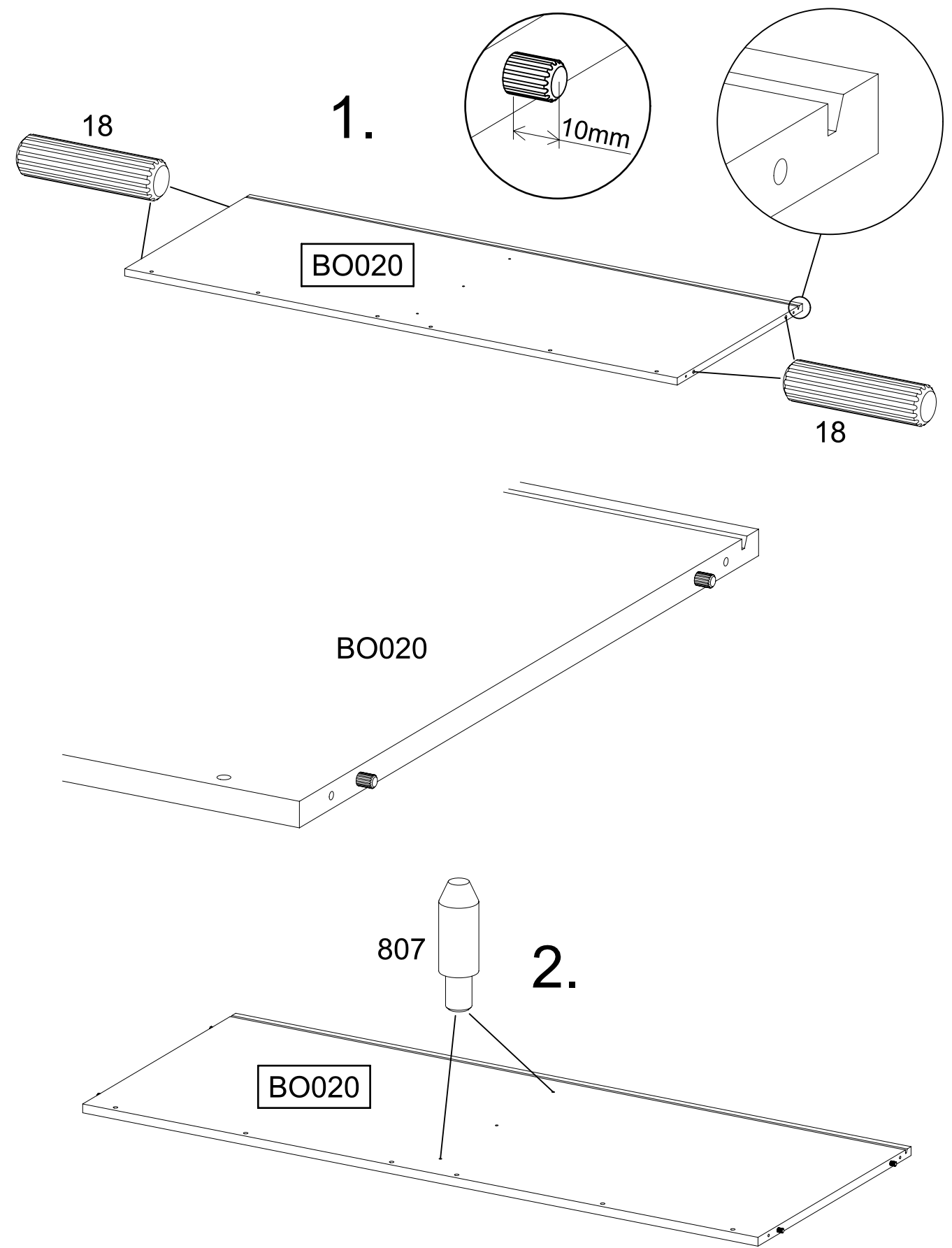
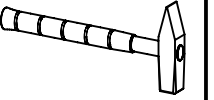
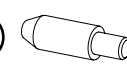
18

8x30



2x

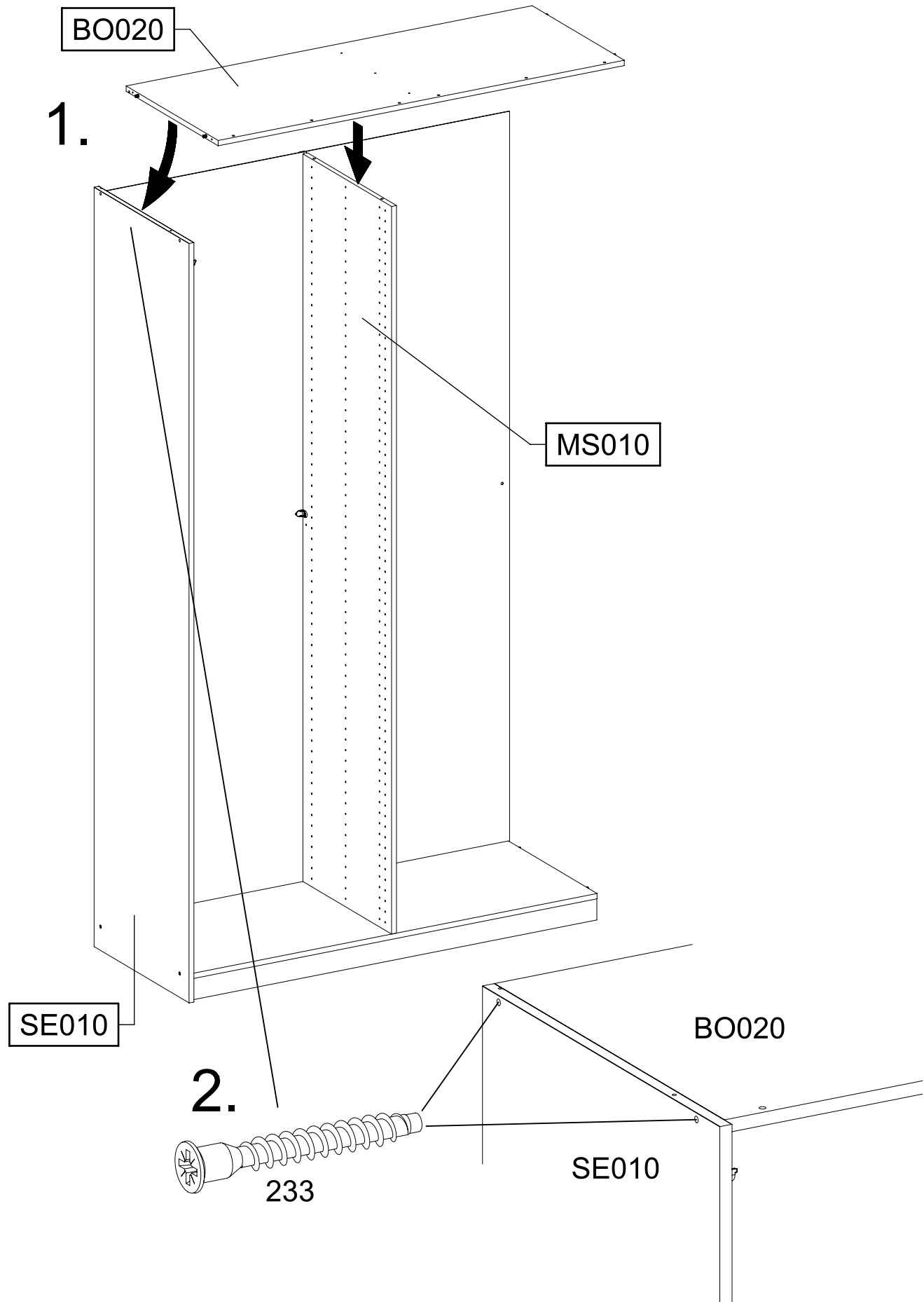
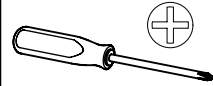
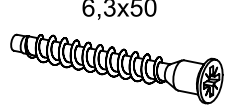
807



10

2x 233

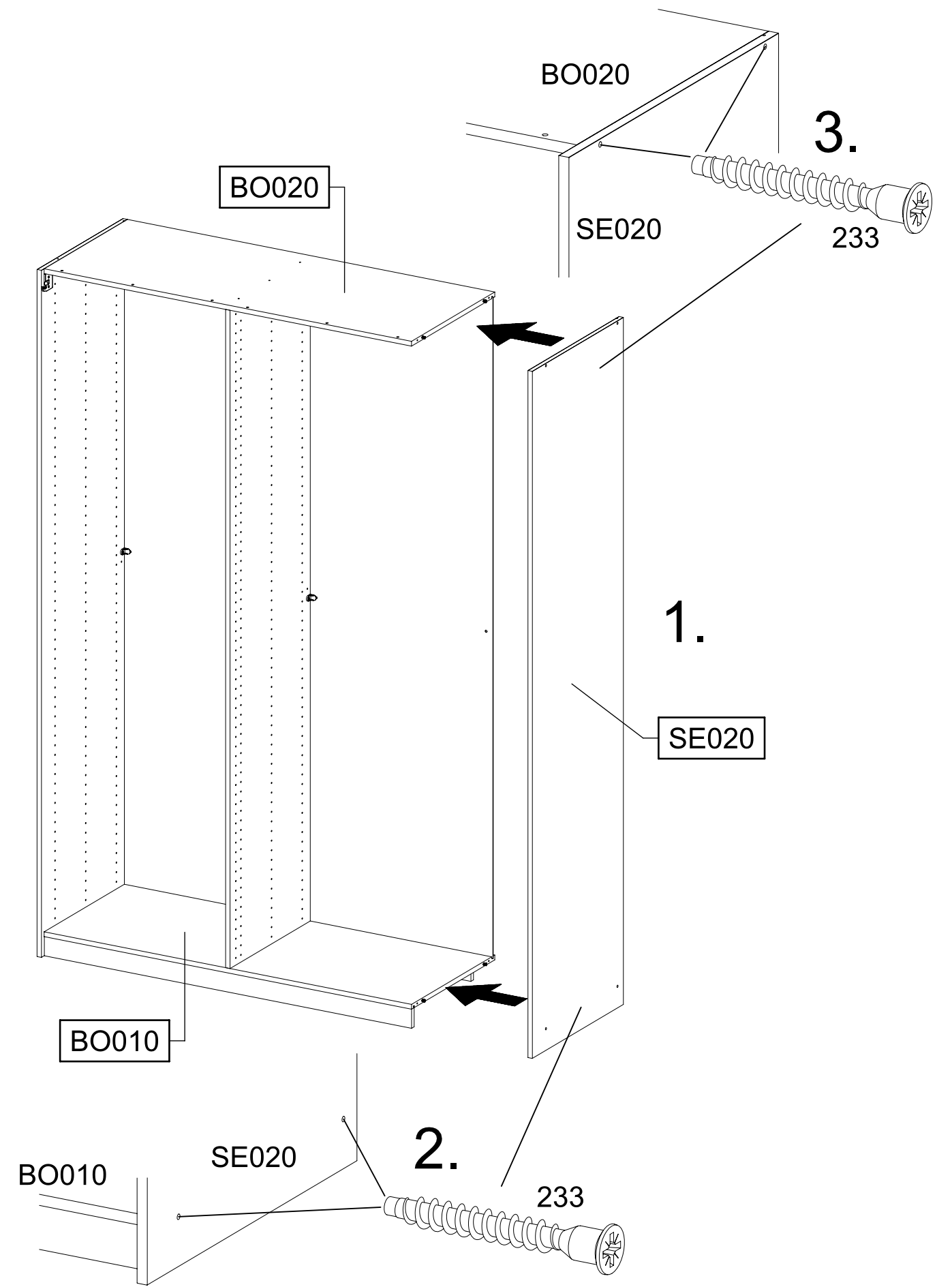
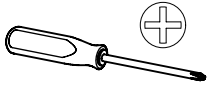
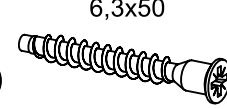
6,3x50



11

4x 233

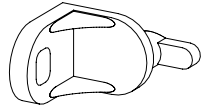
6,3x50





12

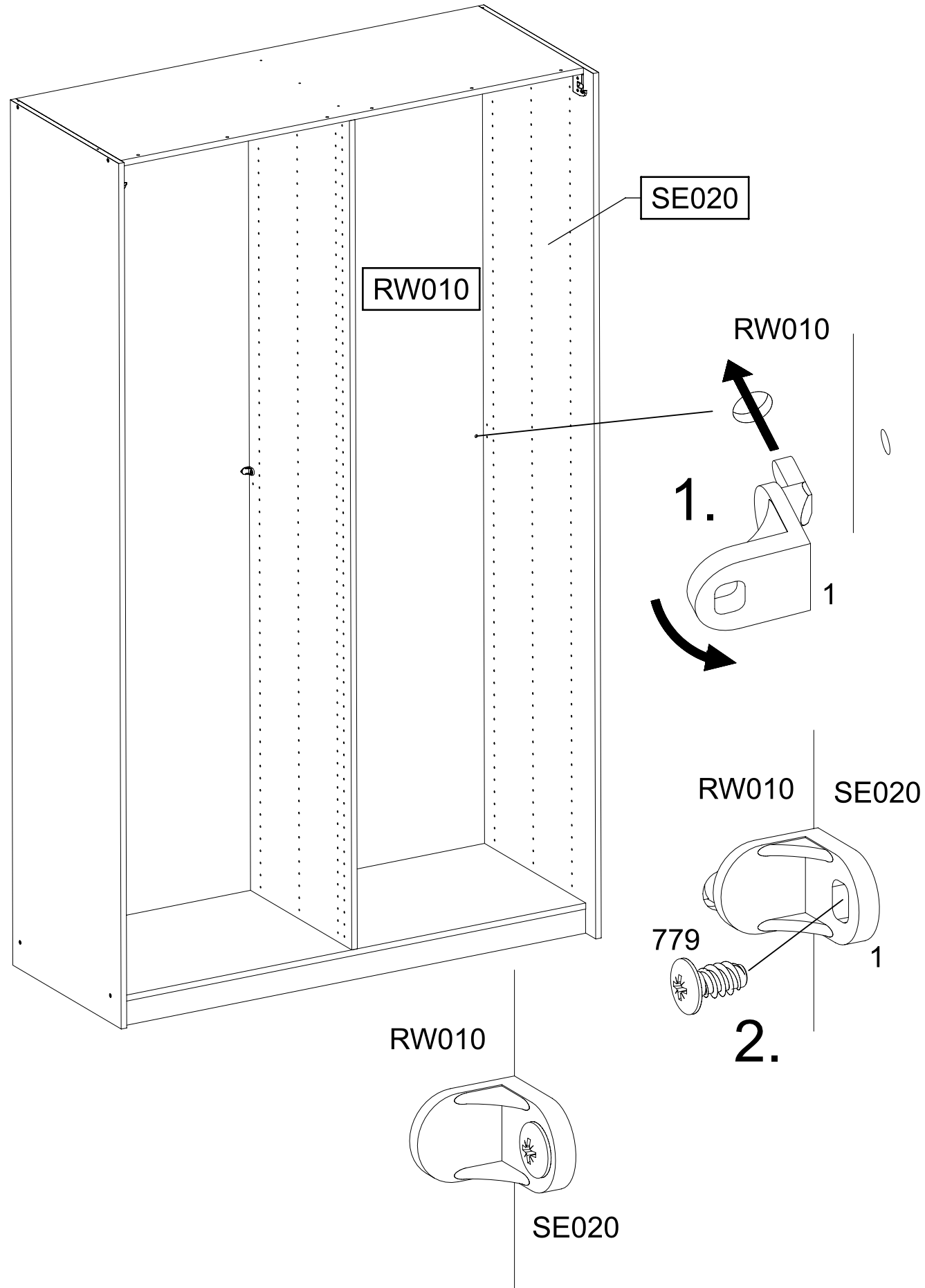
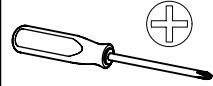
1x 1



1x

779

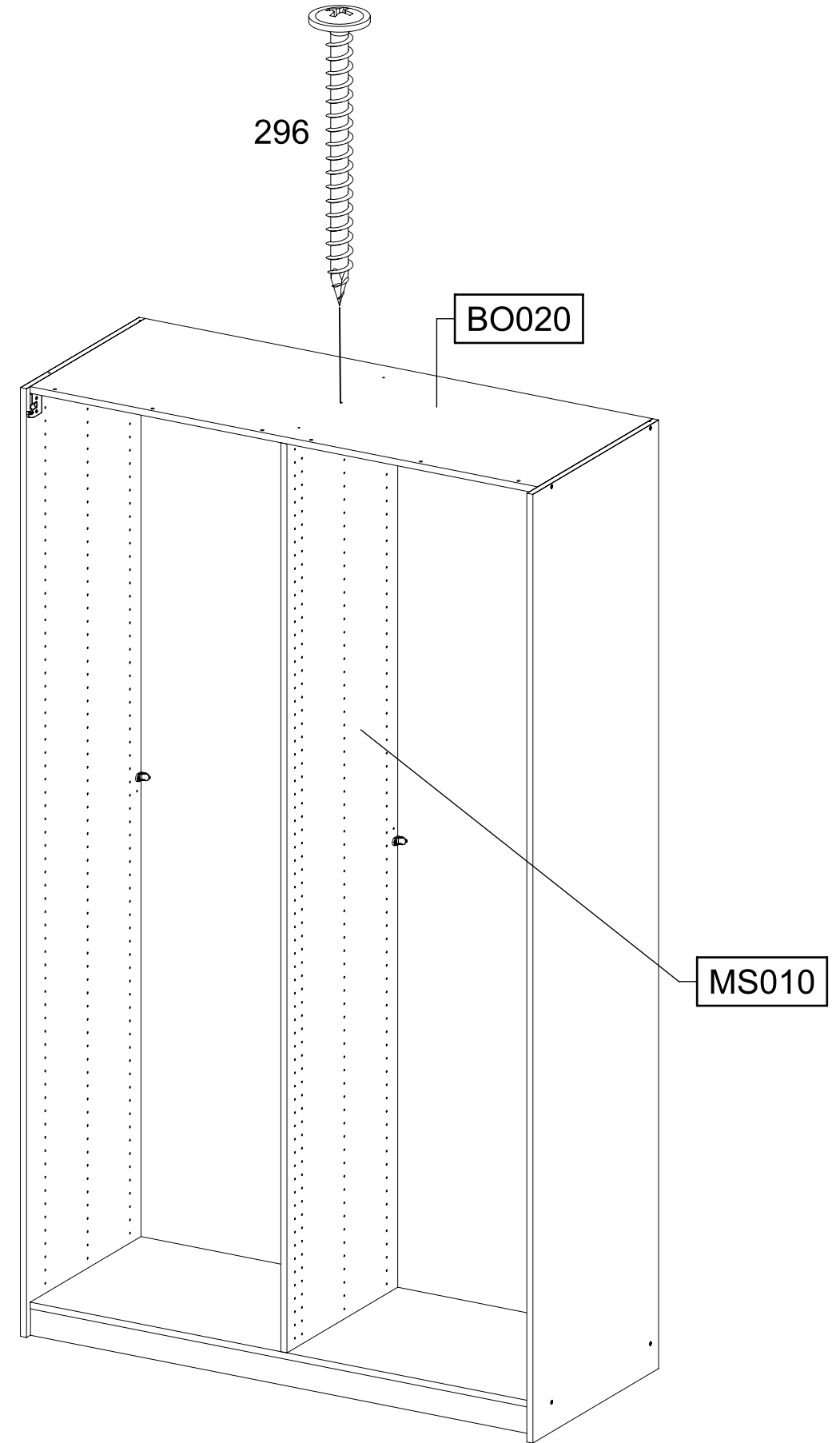
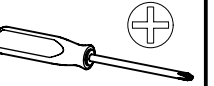
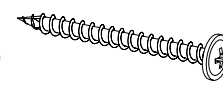
6,5x12



13

1x 296

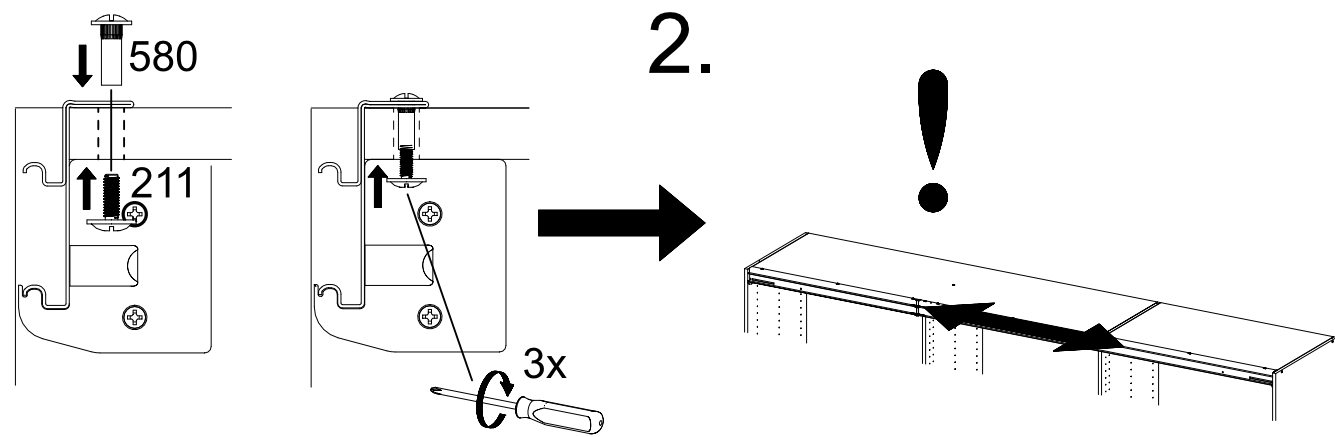
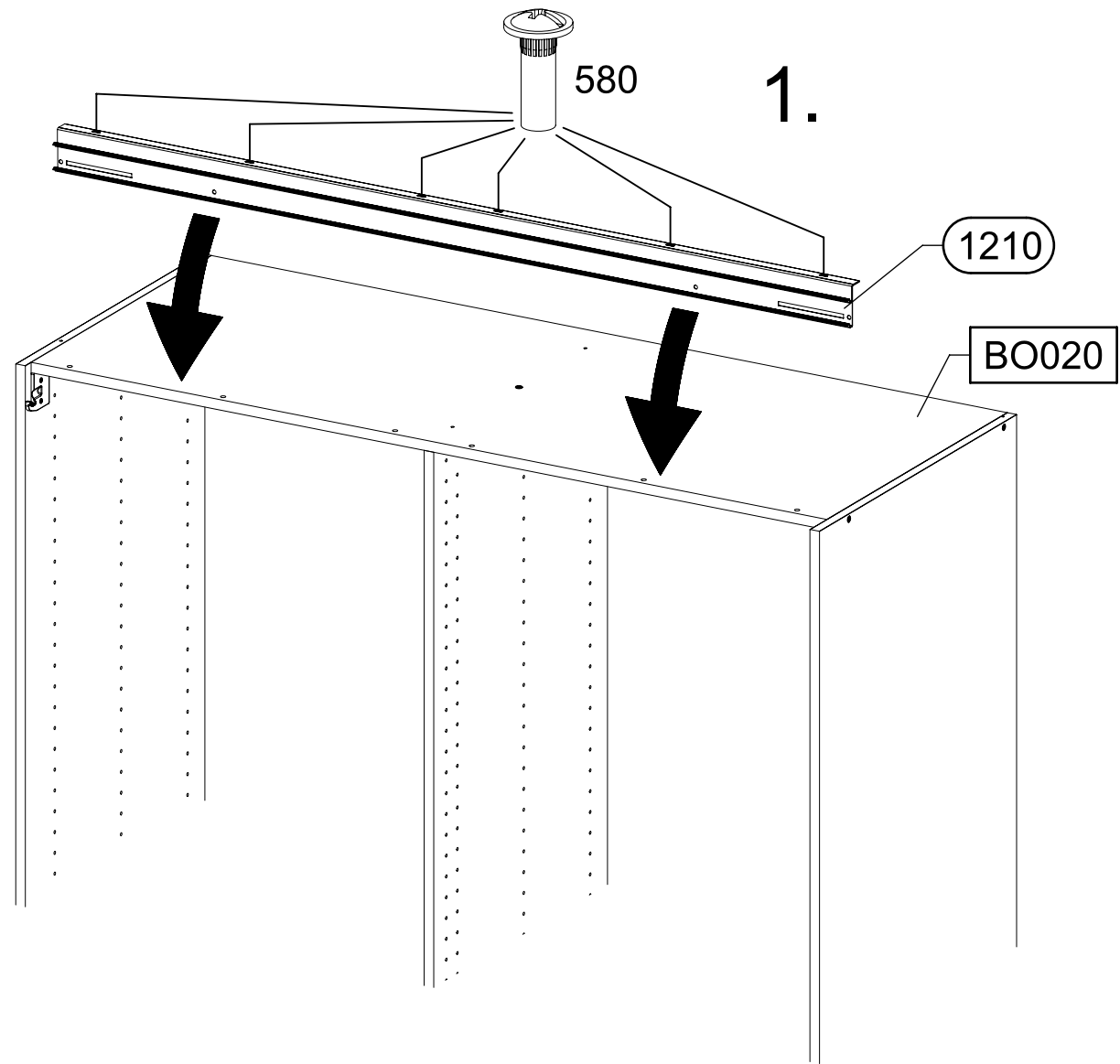
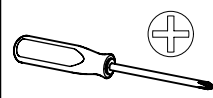
4,5x50



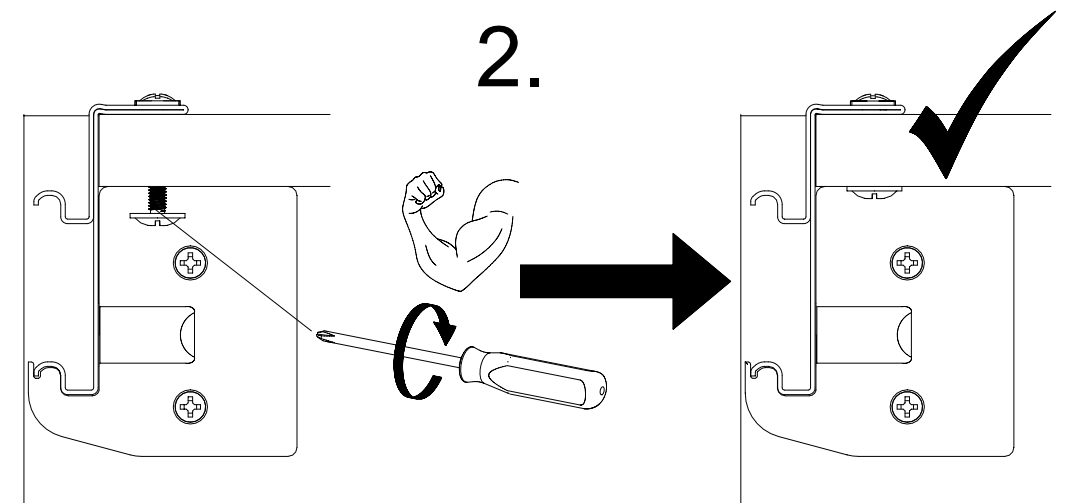
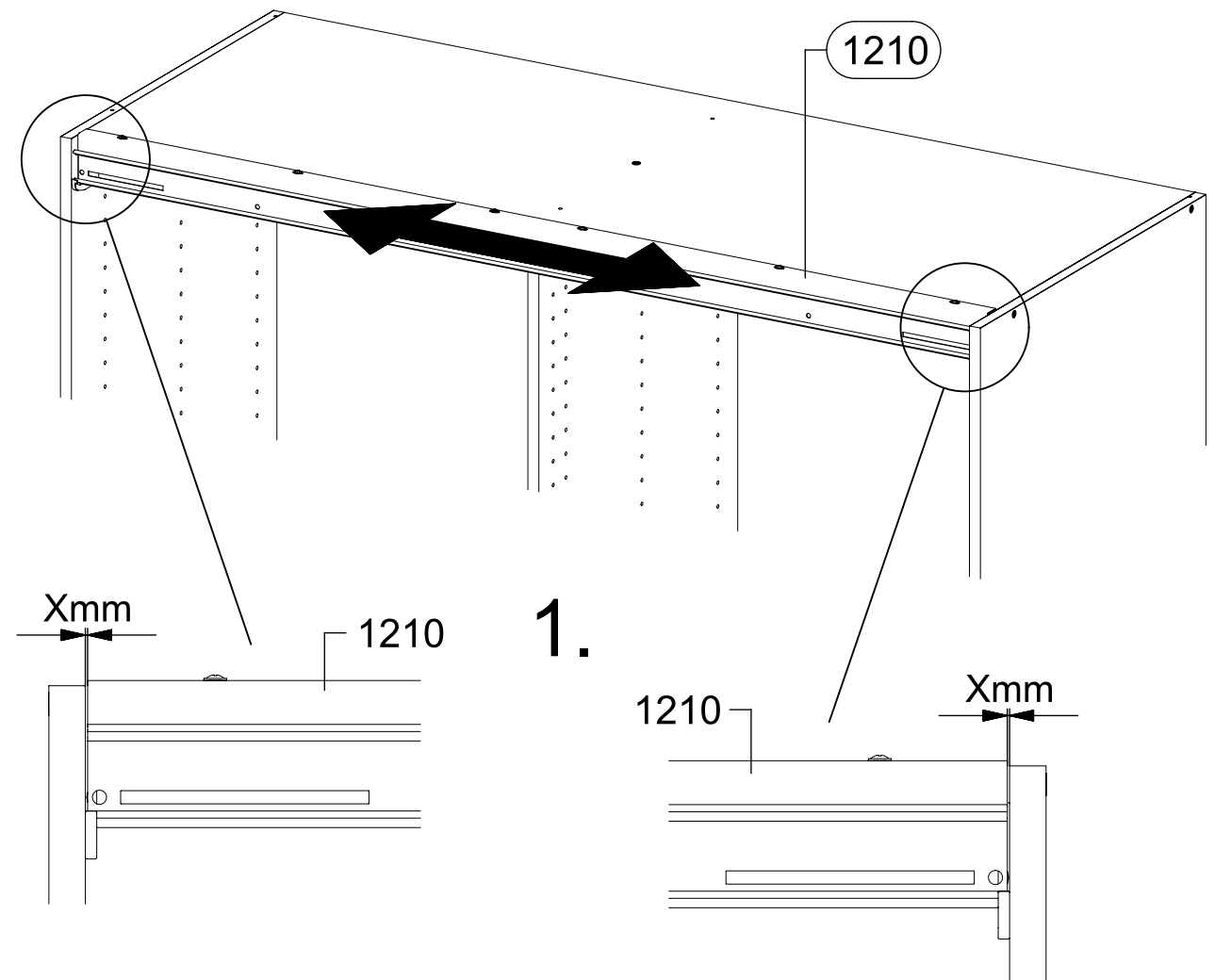
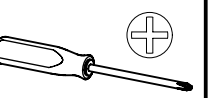
14

6x (211) M4x12

6x (580) M4

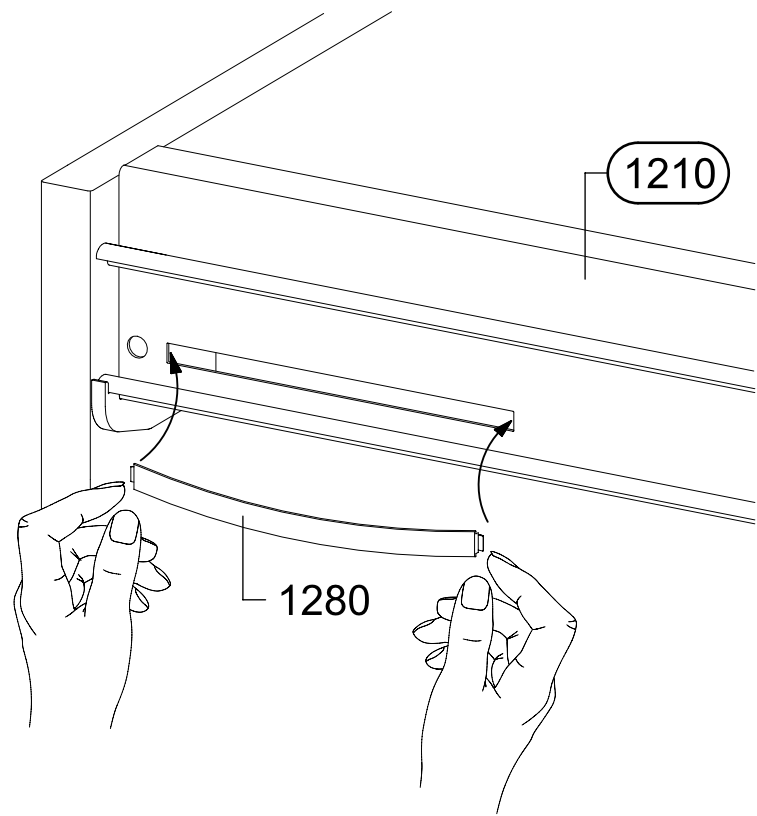
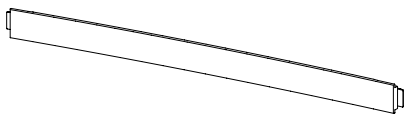


15



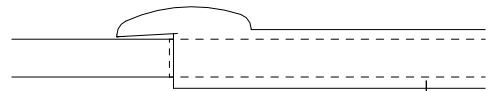
16

2x 1280

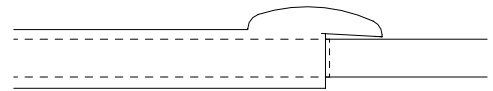


1210

1280

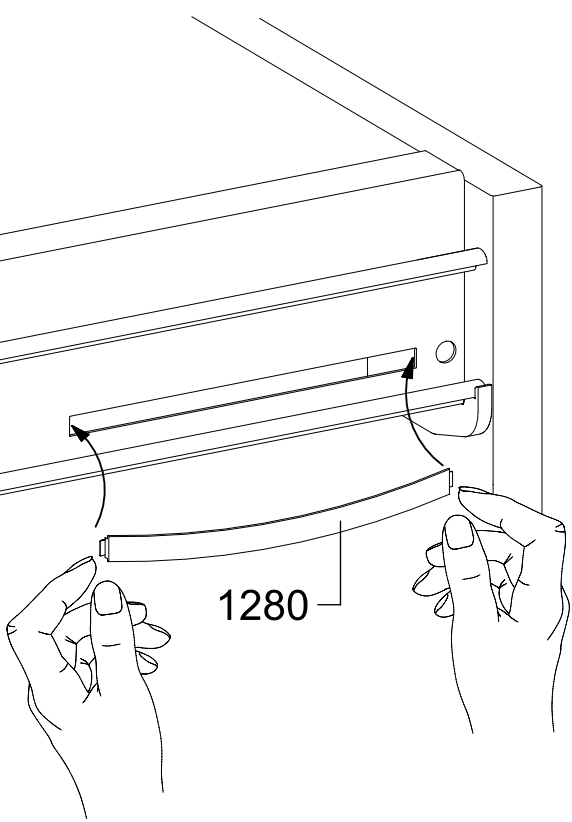


1280



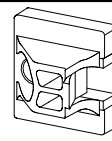
1210

1280

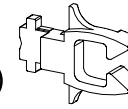


17

2x 1167

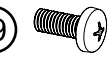


2x 1168



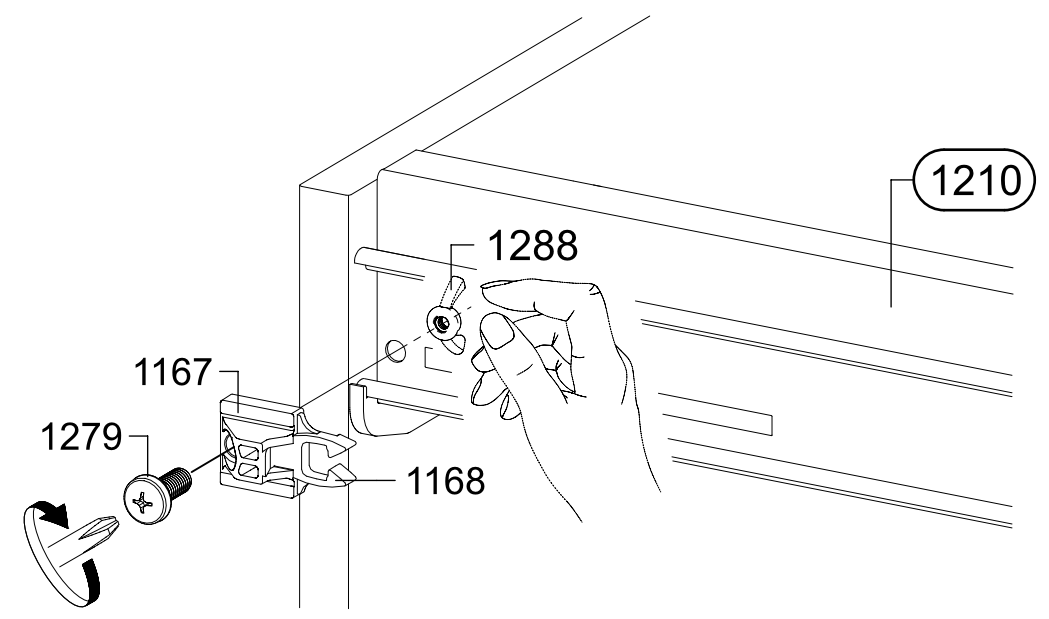
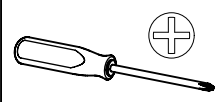
2x 1279

M5x12



2x 1288

M5



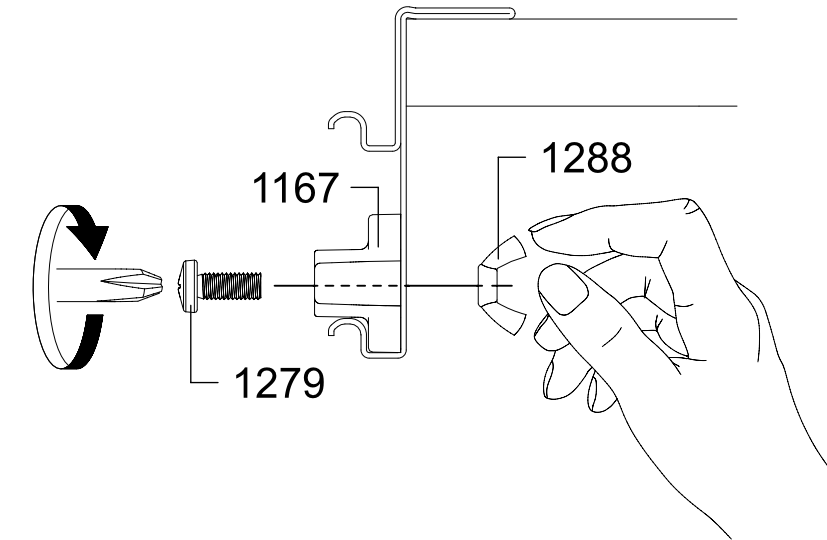
1210

1288

1167

1279

1168



1167

1288

1279

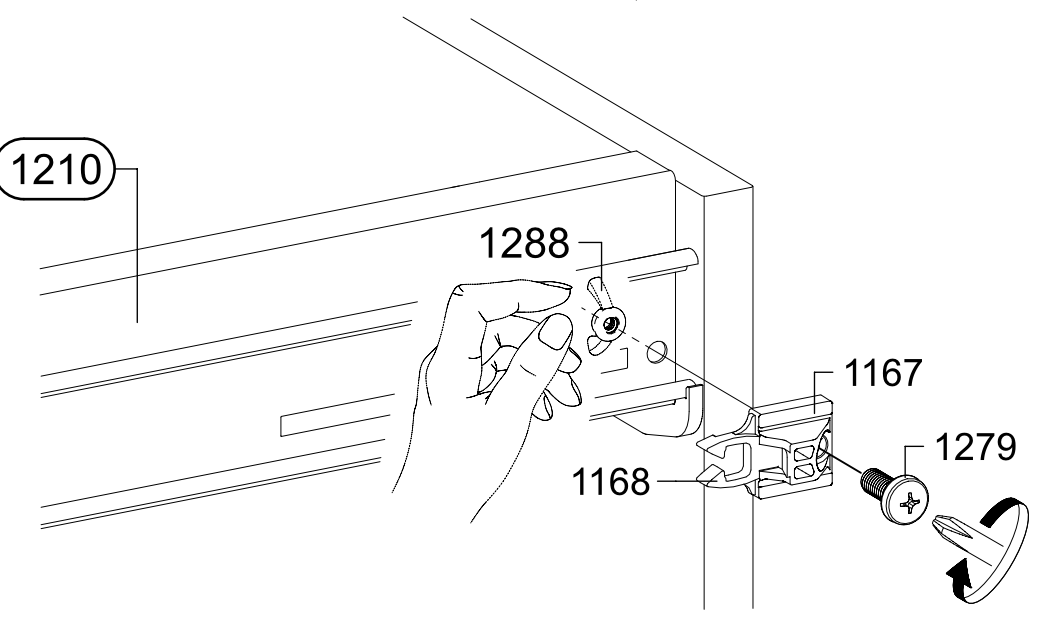
1210

1288

1167

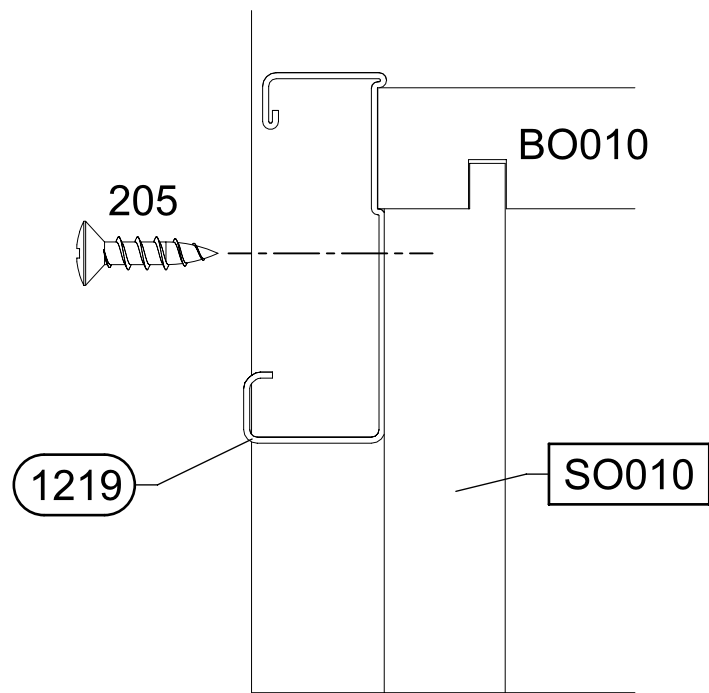
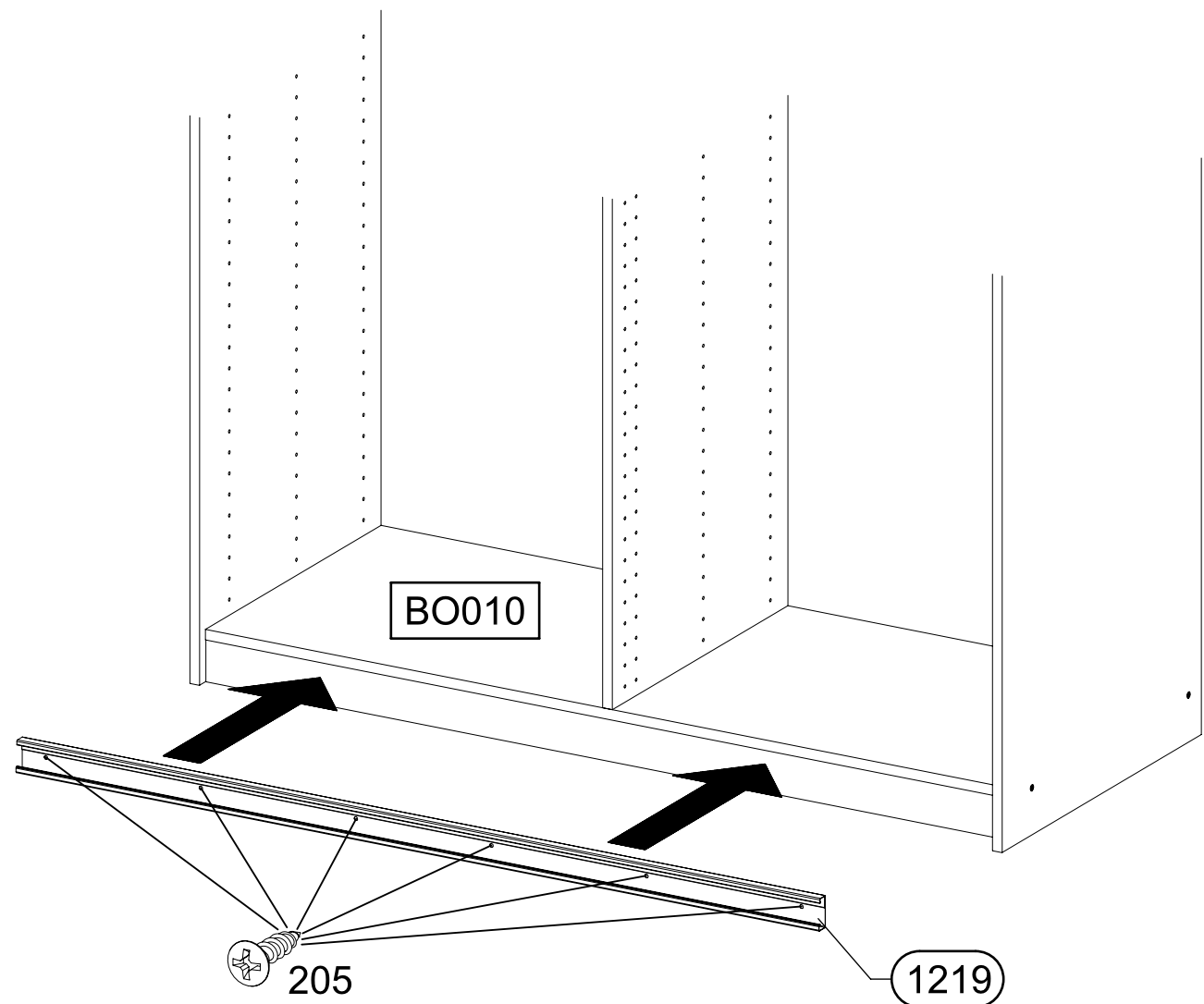
1168

1279



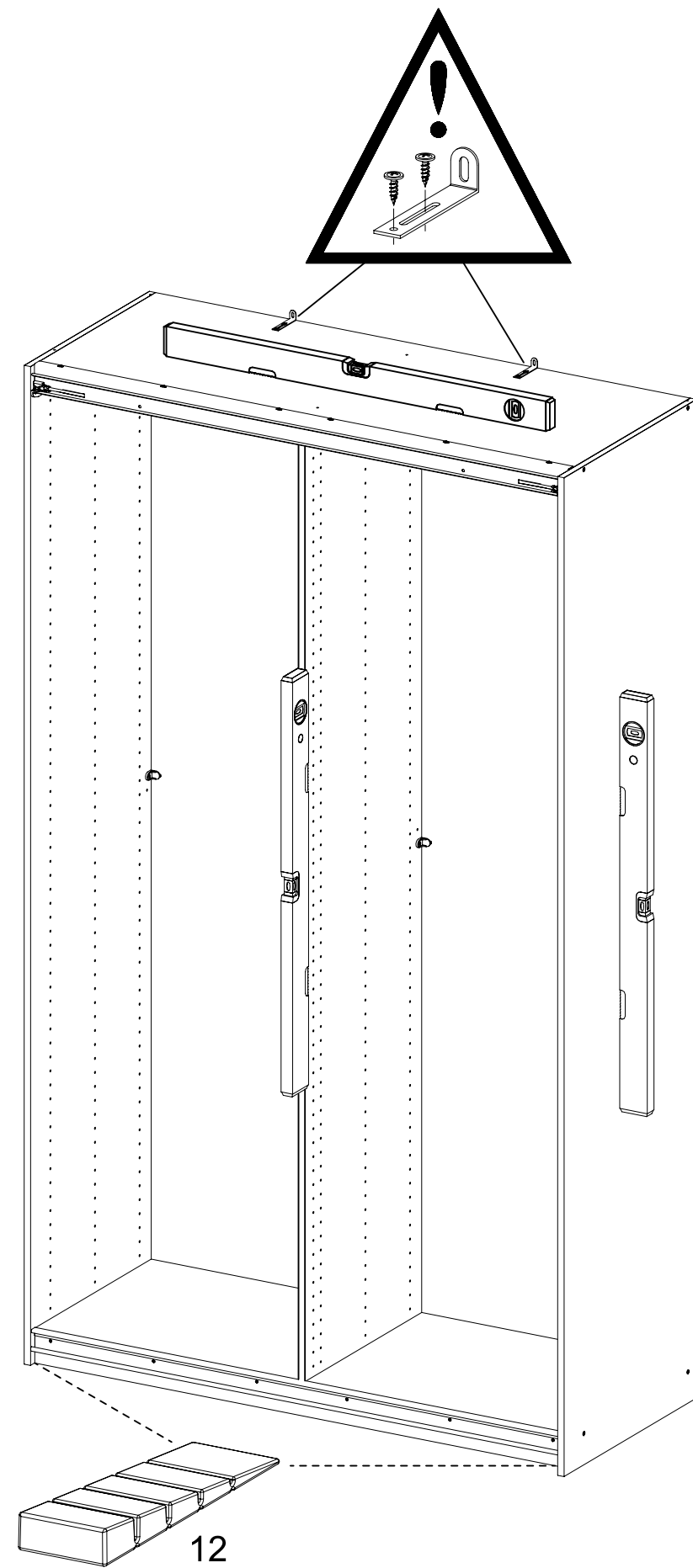
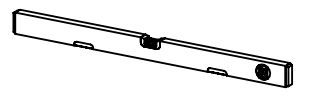
18

6x 205 3,5x15



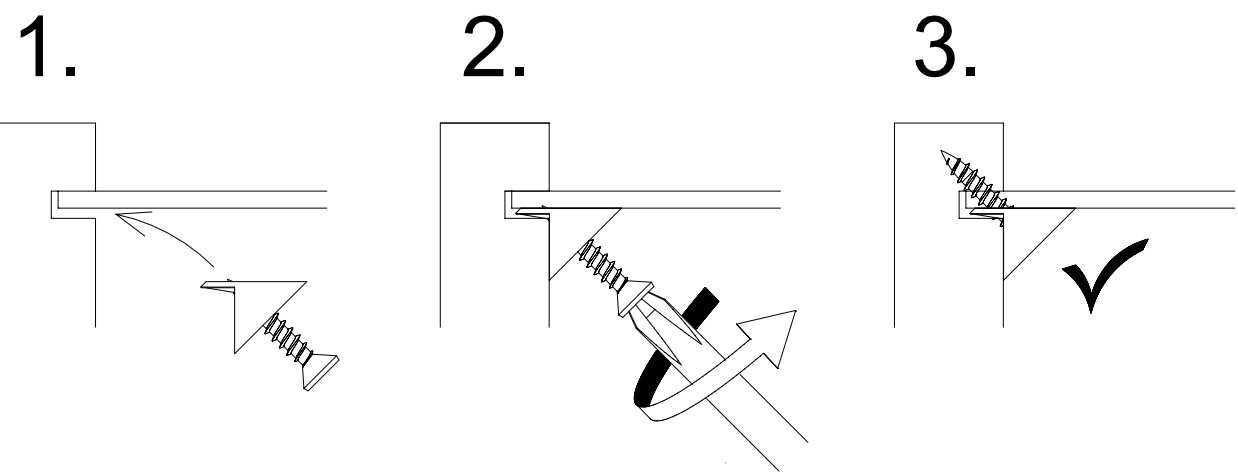
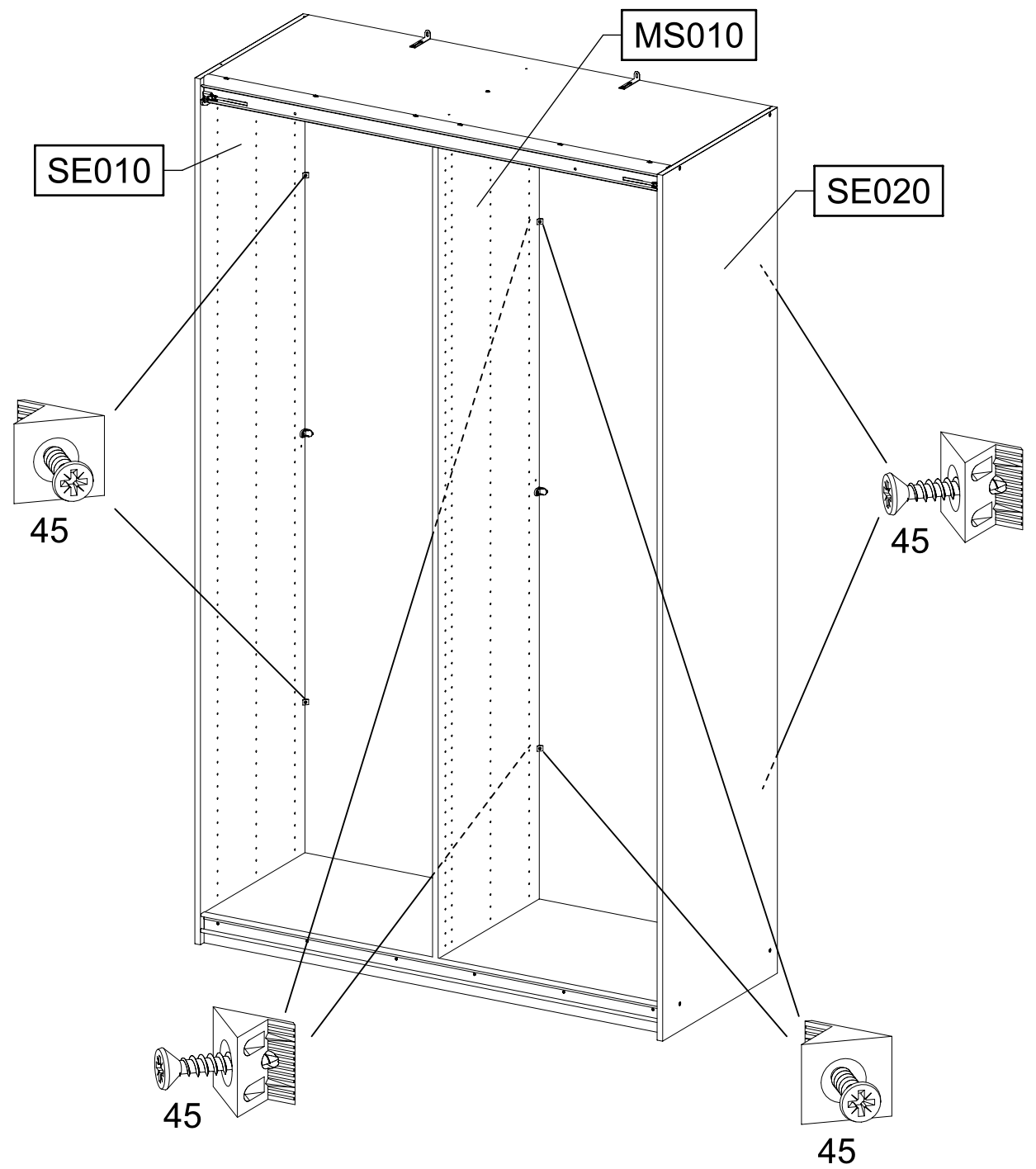
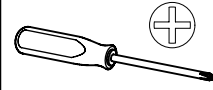
19

2x 12 55x16x6,2



20

8x 45



21

8x 271

