

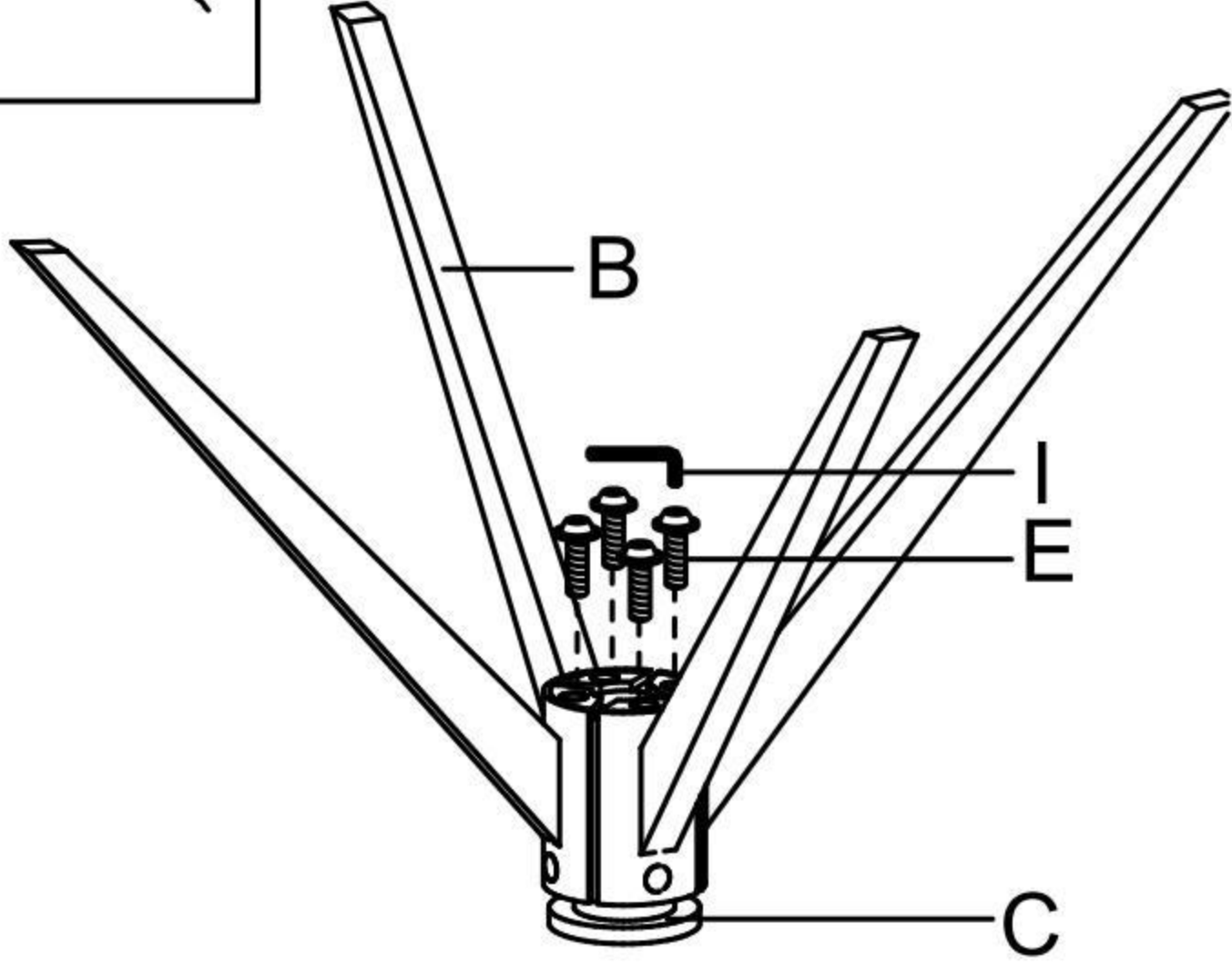

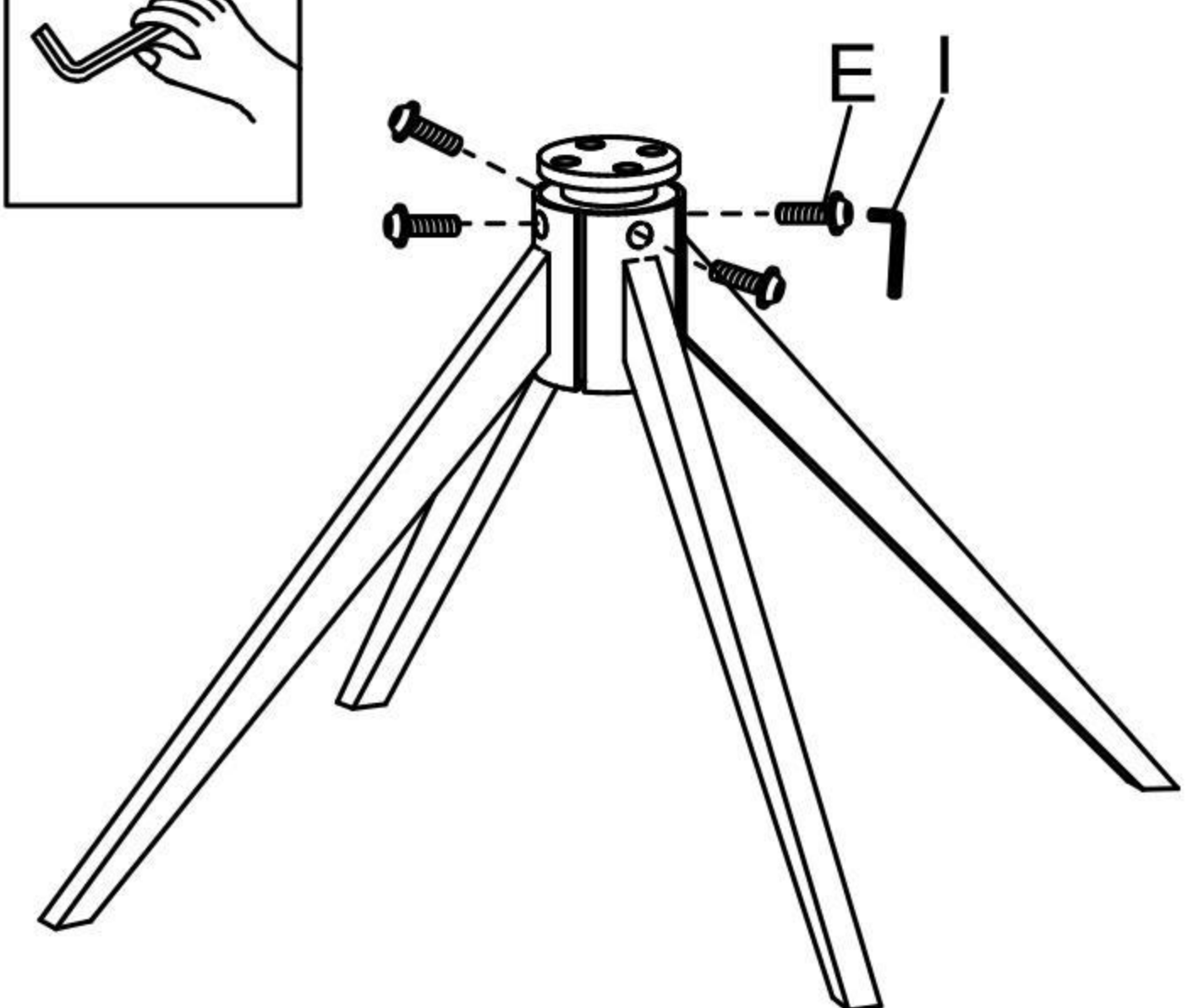

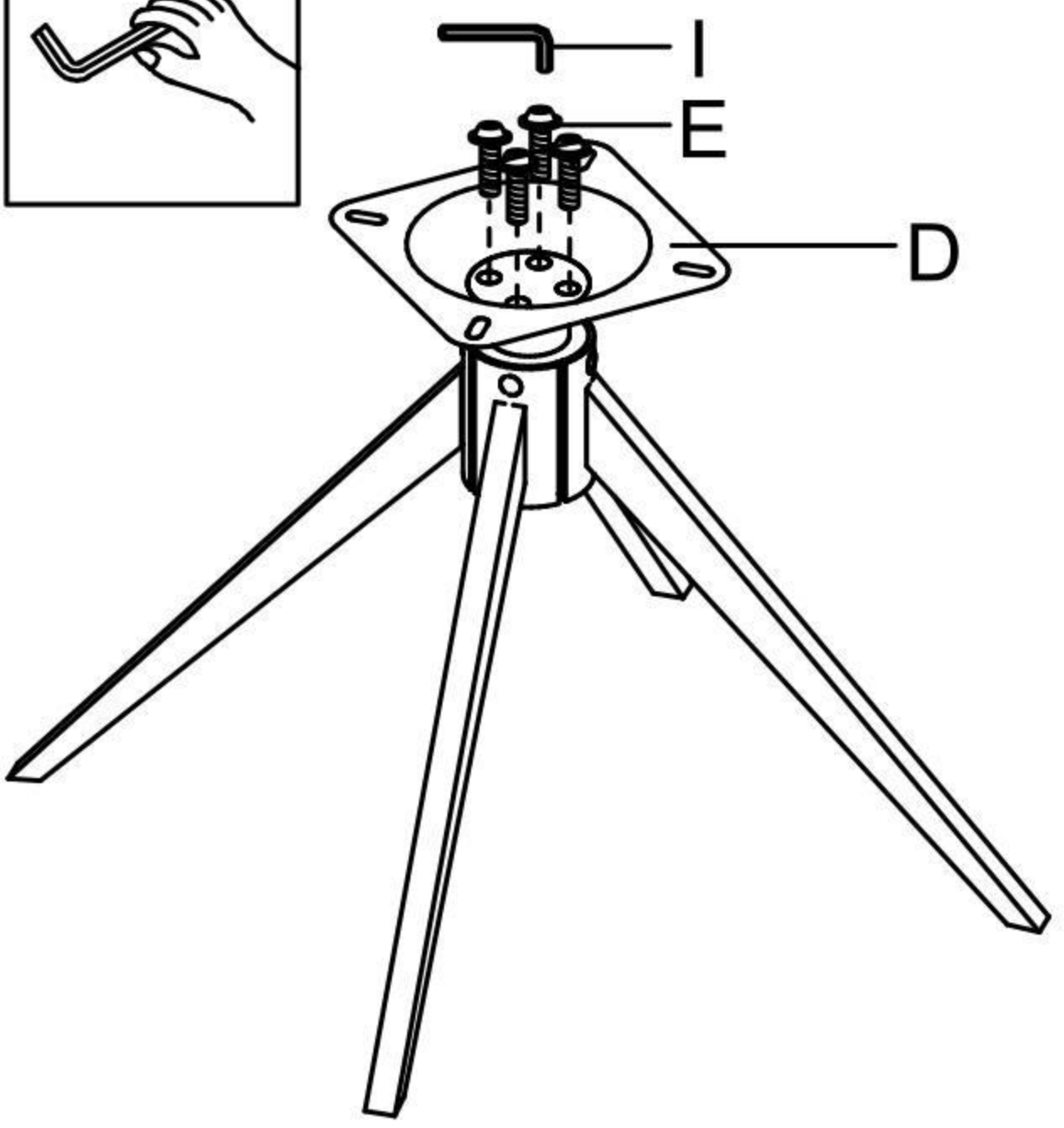
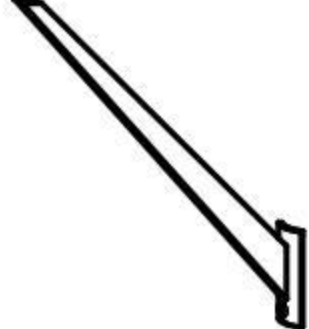





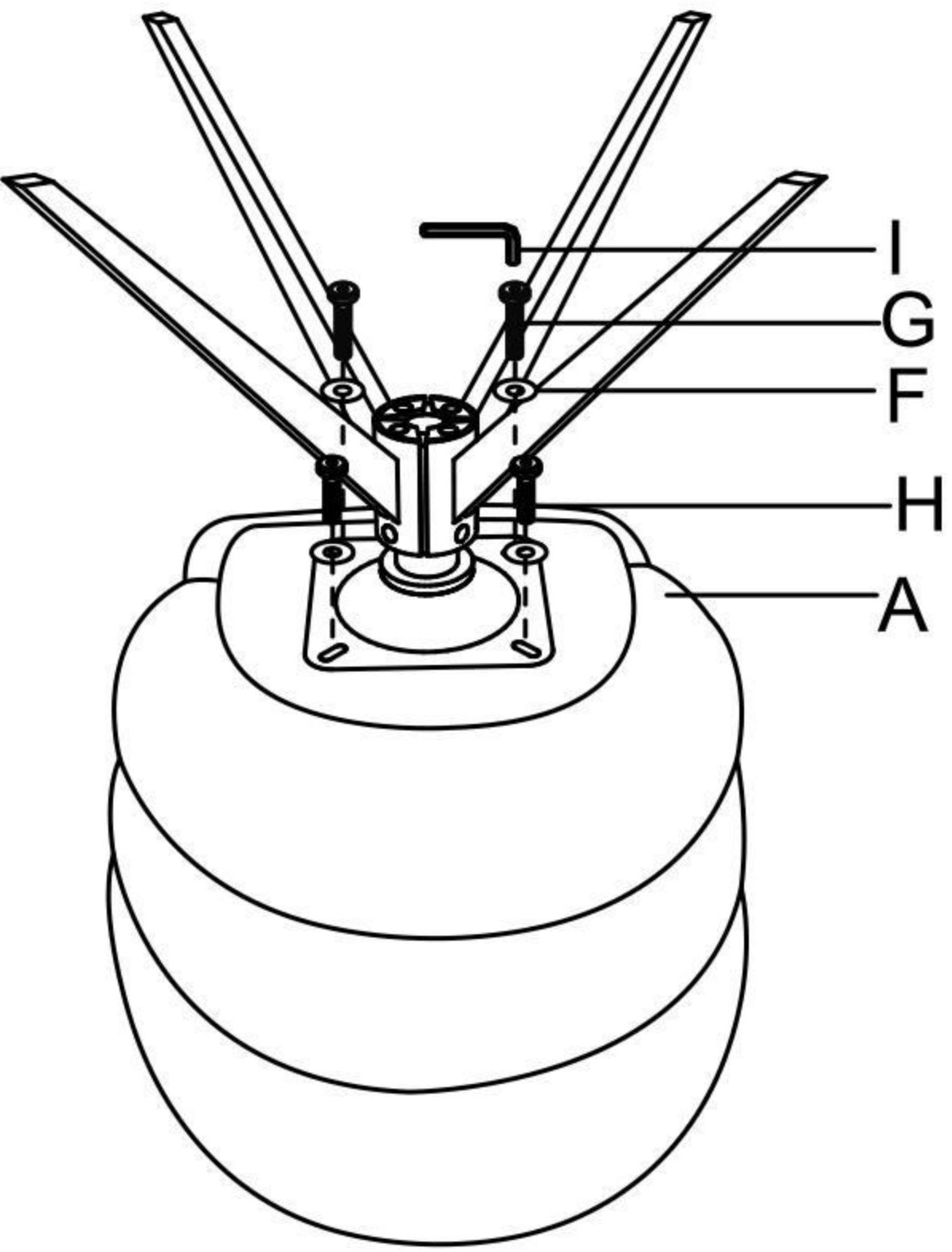


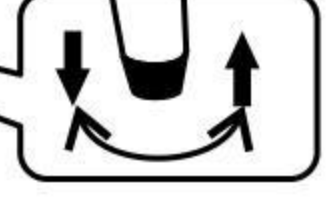





K604

A		1	<div data-bbox="795 191 943 443">  </div> <div data-bbox="1397 191 1427 233">1</div> 	<div data-bbox="1486 191 1635 443">  </div> <div data-bbox="2050 191 2080 233">2</div> 	<div data-bbox="2139 191 2288 443">  </div> <div data-bbox="2644 191 2674 233">3</div> 
B		4			
C		1			
D		1			
E	 M6x10mm	12			
F	 M6x18x1.5mm	4	<div data-bbox="795 961 943 1213">  </div> <div data-bbox="1715 961 1745 1003">4</div> 	<div data-bbox="2644 961 2674 1003">5</div>  <div data-bbox="2457 1192 2614 1241">  max.100kg </div> <div data-bbox="2347 1570 2487 1654">  </div>	
G	 M6x25mm	2			
H	 M6x20mm	2			
I	 M5	1			
					v.1