

ACCESSORIES 1.1

rauch ORANGE

for sliding door robes



Colour	Colour code
Texline (natural-colour linen look)	A0033



Texline colour

Supplier: Rauch Möbelwerke GmbH

ACCESSORIES 1.1

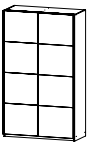
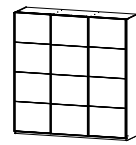
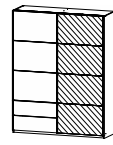
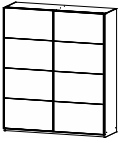
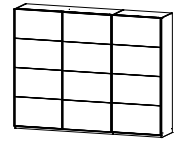
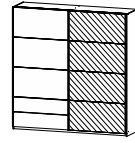

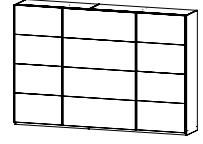
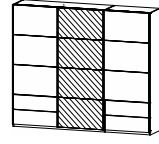
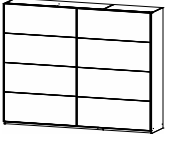
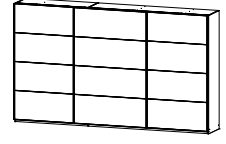
rauch ORANGE

Purchase Price List
Prices = invoice prices in Euro

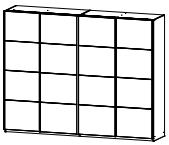
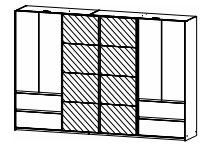
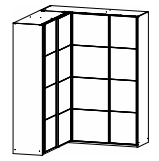
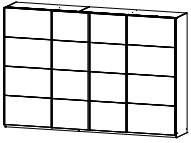
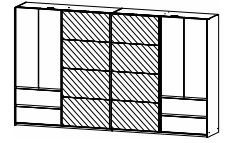
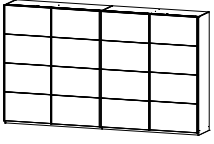
23.02.2024 SB
valid from 01.04.2024 until revoked



Options for installing the drawer units, shelf inserts and trouser pull-out

Sliding door wardrobes, 2-door	Sliding door wardrobes, 3-door	Sliding door wardrobes with drawers																																																																																																																																												
<p>↔ 136 cm</p>  <table border="1" data-bbox="324 406 436 598"> <tr><td>67,5</td><td>67,5</td></tr> <tr><td>9860</td><td>9860</td></tr> <tr><td>9864</td><td>9864</td></tr> <tr><td>9KA1</td><td>9KA1</td></tr> <tr><td>9RA2</td><td>9RA2</td></tr> <tr><td>9MK0</td><td>9MK0</td></tr> </table>	67,5	67,5	9860	9860	9864	9864	9KA1	9KA1	9RA2	9RA2	9MK0	9MK0	<p>↔ 203 cm</p>  <table border="1" data-bbox="1041 406 1198 598"> <tr><td>67,5</td><td>67,5</td><td>67,5</td></tr> <tr><td>9860</td><td>9860</td><td>9860</td></tr> <tr><td>9864</td><td>9864</td><td>9864</td></tr> <tr><td>9KA1</td><td>9KA1</td><td>9KA1</td></tr> <tr><td>9RA2</td><td>9RA2</td><td>9RA2</td></tr> <tr><td>07G2</td><td>07G2</td><td>07G2</td></tr> <tr><td>9MK0</td><td>9MK0</td><td>9MK0</td></tr> </table>	67,5	67,5	67,5	9860	9860	9860	9864	9864	9864	9KA1	9KA1	9KA1	9RA2	9RA2	9RA2	07G2	07G2	07G2	9MK0	9MK0	9MK0	<p>↔ 181 cm</p>  <table border="1" data-bbox="1646 406 1803 598"> <tr><td>90</td><td>90</td></tr> <tr><td>9865</td><td>9865</td></tr> <tr><td>9866</td><td>9866</td></tr> <tr><td>9KA2</td><td>9KA2</td></tr> <tr><td>98M2</td><td>98M2</td></tr> <tr><td>9898</td><td>9898</td></tr> <tr><td>9RA1</td><td>9RA1</td></tr> <tr><td>07G1</td><td>07G1</td></tr> <tr><td>9SH0</td><td>9SH0</td></tr> </table>	90	90	9865	9865	9866	9866	9KA2	9KA2	98M2	98M2	9898	9898	9RA1	9RA1	07G1	07G1	9SH0	9SH0																																																																																									
67,5	67,5																																																																																																																																													
9860	9860																																																																																																																																													
9864	9864																																																																																																																																													
9KA1	9KA1																																																																																																																																													
9RA2	9RA2																																																																																																																																													
9MK0	9MK0																																																																																																																																													
67,5	67,5	67,5																																																																																																																																												
9860	9860	9860																																																																																																																																												
9864	9864	9864																																																																																																																																												
9KA1	9KA1	9KA1																																																																																																																																												
9RA2	9RA2	9RA2																																																																																																																																												
07G2	07G2	07G2																																																																																																																																												
9MK0	9MK0	9MK0																																																																																																																																												
90	90																																																																																																																																													
9865	9865																																																																																																																																													
9866	9866																																																																																																																																													
9KA2	9KA2																																																																																																																																													
98M2	98M2																																																																																																																																													
9898	9898																																																																																																																																													
9RA1	9RA1																																																																																																																																													
07G1	07G1																																																																																																																																													
9SH0	9SH0																																																																																																																																													
<p>↔ 181 cm</p>  <table border="1" data-bbox="324 678 459 869"> <tr><td>90</td><td>90</td></tr> <tr><td>9865</td><td>9865</td></tr> <tr><td>9866</td><td>9866</td></tr> <tr><td>9KA2</td><td>9KA2</td></tr> <tr><td>98M2</td><td>98M2</td></tr> <tr><td>9898</td><td>9898</td></tr> <tr><td>9RA1</td><td>9RA1</td></tr> <tr><td>07G1</td><td>07G1</td></tr> <tr><td>9SH0</td><td>9SH0</td></tr> <tr><td>9MK1</td><td>9MK1</td></tr> </table>	90	90	9865	9865	9866	9866	9KA2	9KA2	98M2	98M2	9898	9898	9RA1	9RA1	07G1	07G1	9SH0	9SH0	9MK1	9MK1	<p>↔ 271 cm</p>  <table border="1" data-bbox="1041 694 1243 885"> <tr><td>90</td><td>90</td><td>90</td></tr> <tr><td>9865</td><td>9865</td><td>9865</td></tr> <tr><td>9866</td><td>9866</td><td>9866</td></tr> <tr><td>9KA2</td><td>9KA2</td><td>9KA2</td></tr> <tr><td>98M2</td><td>98M2</td><td>98M2</td></tr> <tr><td>9898</td><td>9898</td><td>9898</td></tr> <tr><td>9RA1</td><td>9RA1</td><td>9RA1</td></tr> <tr><td>07G1</td><td>07G1</td><td>07G1</td></tr> <tr><td>9SH0</td><td>9SH0</td><td>9SH0</td></tr> <tr><td>9MK1</td><td>9MK1</td><td>9MK1</td></tr> </table>	90	90	90	9865	9865	9865	9866	9866	9866	9KA2	9KA2	9KA2	98M2	98M2	98M2	9898	9898	9898	9RA1	9RA1	9RA1	07G1	07G1	07G1	9SH0	9SH0	9SH0	9MK1	9MK1	9MK1	<p>↔ 226 cm</p>  <table border="1" data-bbox="1646 694 1825 821"> <tr><td>112,5</td><td>112,5</td></tr> <tr><td>9804</td><td>9804</td></tr> <tr><td>9806</td><td>9806</td></tr> <tr><td>9KA4</td><td>9KA4</td></tr> </table>	112,5	112,5	9804	9804	9806	9806	9KA4	9KA4																																																																																		
90	90																																																																																																																																													
9865	9865																																																																																																																																													
9866	9866																																																																																																																																													
9KA2	9KA2																																																																																																																																													
98M2	98M2																																																																																																																																													
9898	9898																																																																																																																																													
9RA1	9RA1																																																																																																																																													
07G1	07G1																																																																																																																																													
9SH0	9SH0																																																																																																																																													
9MK1	9MK1																																																																																																																																													
90	90	90																																																																																																																																												
9865	9865	9865																																																																																																																																												
9866	9866	9866																																																																																																																																												
9KA2	9KA2	9KA2																																																																																																																																												
98M2	98M2	98M2																																																																																																																																												
9898	9898	9898																																																																																																																																												
9RA1	9RA1	9RA1																																																																																																																																												
07G1	07G1	07G1																																																																																																																																												
9SH0	9SH0	9SH0																																																																																																																																												
9MK1	9MK1	9MK1																																																																																																																																												
112,5	112,5																																																																																																																																													
9804	9804																																																																																																																																													
9806	9806																																																																																																																																													
9KA4	9KA4																																																																																																																																													
<p>↔ 226 cm</p>  <table border="1" data-bbox="324 949 504 1204"> <tr><td>90</td><td>90</td><td>45</td></tr> <tr><td>9845</td><td>9845</td><td>9845</td></tr> <tr><td>9895</td><td>9895</td><td>9895</td></tr> <tr><td>9KA3</td><td>9KA3</td><td>9KA3</td></tr> <tr><td>98M1</td><td>98M1</td><td>98M1</td></tr> <tr><td>9865</td><td>9843</td><td>9843</td></tr> <tr><td>9866</td><td>9893</td><td>9893</td></tr> <tr><td>9KA2</td><td>9KA0</td><td>9893</td></tr> <tr><td>98M2</td><td>9RA1</td><td>9KA0</td></tr> <tr><td>9898</td><td></td><td></td></tr> <tr><td>9RA1</td><td></td><td></td></tr> <tr><td>07G1</td><td></td><td></td></tr> <tr><td>9SH0</td><td></td><td></td></tr> <tr><td>9MK1</td><td></td><td></td></tr> </table> <table border="1" data-bbox="560 957 728 1141"> <tr><td>112,5</td><td>112,5</td></tr> <tr><td>9804</td><td>9804</td></tr> <tr><td>9806</td><td>9806</td></tr> <tr><td>9KA4</td><td>9KA4</td></tr> </table>	90	90	45	9845	9845	9845	9895	9895	9895	9KA3	9KA3	9KA3	98M1	98M1	98M1	9865	9843	9843	9866	9893	9893	9KA2	9KA0	9893	98M2	9RA1	9KA0	9898			9RA1			07G1			9SH0			9MK1			112,5	112,5	9804	9804	9806	9806	9KA4	9KA4	<p>↔ 316 cm</p>  <table border="1" data-bbox="1041 949 1288 1204"> <tr><td>90</td><td>45</td><td>90</td><td>90</td></tr> <tr><td>9845</td><td>9845</td><td>9845</td><td>9845</td></tr> <tr><td>9895</td><td>9895</td><td>9895</td><td>9895</td></tr> <tr><td>9KA3</td><td>9KA3</td><td>9KA3</td><td>9KA3</td></tr> <tr><td>98M1</td><td>98M1</td><td>98M1</td><td>98M1</td></tr> <tr><td>9865</td><td>9865</td><td>9865</td><td>9865</td></tr> <tr><td>9866</td><td>9866</td><td>9866</td><td>9866</td></tr> <tr><td>9KA2</td><td>9843</td><td>9843</td><td>9KA2</td></tr> <tr><td>98M2</td><td>9893</td><td>9RA1</td><td>9KA2</td></tr> <tr><td>9898</td><td>9KA0</td><td></td><td>98M2</td></tr> <tr><td>9898</td><td></td><td></td><td>9898</td></tr> <tr><td>9RA1</td><td></td><td></td><td>9RA1</td></tr> <tr><td>07G1</td><td></td><td></td><td>07G1</td></tr> <tr><td>9SH0</td><td></td><td></td><td>9SH0</td></tr> <tr><td>9MK1</td><td></td><td></td><td>9MK1</td></tr> </table>	90	45	90	90	9845	9845	9845	9845	9895	9895	9895	9895	9KA3	9KA3	9KA3	9KA3	98M1	98M1	98M1	98M1	9865	9865	9865	9865	9866	9866	9866	9866	9KA2	9843	9843	9KA2	98M2	9893	9RA1	9KA2	9898	9KA0		98M2	9898			9898	9RA1			9RA1	07G1			07G1	9SH0			9SH0	9MK1			9MK1	<p>↔ 271 cm</p>  <table border="1" data-bbox="1646 957 1859 1149"> <tr><td>90</td><td>90</td><td>90</td></tr> <tr><td>9865</td><td>9865</td><td>9865</td></tr> <tr><td>9866</td><td>9866</td><td>9866</td></tr> <tr><td>9KA2</td><td>9KA2</td><td>9KA2</td></tr> <tr><td>98M2</td><td>98M2</td><td>98M2</td></tr> <tr><td>9898</td><td>9898</td><td>9898</td></tr> <tr><td>9RA1</td><td>9RA1</td><td>9RA1</td></tr> <tr><td>07G1</td><td>07G1</td><td>07G1</td></tr> <tr><td>9SH0</td><td>9SH0</td><td>9SH0</td></tr> <tr><td>9MK1</td><td>9MK1</td><td>9MK1</td></tr> </table>	90	90	90	9865	9865	9865	9866	9866	9866	9KA2	9KA2	9KA2	98M2	98M2	98M2	9898	9898	9898	9RA1	9RA1	9RA1	07G1	07G1	07G1	9SH0	9SH0	9SH0	9MK1	9MK1	9MK1
90	90	45																																																																																																																																												
9845	9845	9845																																																																																																																																												
9895	9895	9895																																																																																																																																												
9KA3	9KA3	9KA3																																																																																																																																												
98M1	98M1	98M1																																																																																																																																												
9865	9843	9843																																																																																																																																												
9866	9893	9893																																																																																																																																												
9KA2	9KA0	9893																																																																																																																																												
98M2	9RA1	9KA0																																																																																																																																												
9898																																																																																																																																														
9RA1																																																																																																																																														
07G1																																																																																																																																														
9SH0																																																																																																																																														
9MK1																																																																																																																																														
112,5	112,5																																																																																																																																													
9804	9804																																																																																																																																													
9806	9806																																																																																																																																													
9KA4	9KA4																																																																																																																																													
90	45	90	90																																																																																																																																											
9845	9845	9845	9845																																																																																																																																											
9895	9895	9895	9895																																																																																																																																											
9KA3	9KA3	9KA3	9KA3																																																																																																																																											
98M1	98M1	98M1	98M1																																																																																																																																											
9865	9865	9865	9865																																																																																																																																											
9866	9866	9866	9866																																																																																																																																											
9KA2	9843	9843	9KA2																																																																																																																																											
98M2	9893	9RA1	9KA2																																																																																																																																											
9898	9KA0		98M2																																																																																																																																											
9898			9898																																																																																																																																											
9RA1			9RA1																																																																																																																																											
07G1			07G1																																																																																																																																											
9SH0			9SH0																																																																																																																																											
9MK1			9MK1																																																																																																																																											
90	90	90																																																																																																																																												
9865	9865	9865																																																																																																																																												
9866	9866	9866																																																																																																																																												
9KA2	9KA2	9KA2																																																																																																																																												
98M2	98M2	98M2																																																																																																																																												
9898	9898	9898																																																																																																																																												
9RA1	9RA1	9RA1																																																																																																																																												
07G1	07G1	07G1																																																																																																																																												
9SH0	9SH0	9SH0																																																																																																																																												
9MK1	9MK1	9MK1																																																																																																																																												
<p>↔ 271 cm</p>  <table border="1" data-bbox="324 1236 526 1492"> <tr><td>90</td><td>90</td><td>90</td></tr> <tr><td>9845</td><td>9845</td><td>9845</td></tr> <tr><td>9895</td><td>9895</td><td>9895</td></tr> <tr><td>9KA3</td><td>9KA3</td><td>9KA3</td></tr> <tr><td>98M1</td><td>98M1</td><td>98M1</td></tr> <tr><td>9865</td><td>9865</td><td>9865</td></tr> <tr><td>9866</td><td>9866</td><td>9866</td></tr> <tr><td>9KA2</td><td>9KA2</td><td>9KA2</td></tr> <tr><td>98M2</td><td>98M2</td><td>98M2</td></tr> <tr><td>9898</td><td>9898</td><td>9898</td></tr> <tr><td>9RA1</td><td>9RA1</td><td>9RA1</td></tr> <tr><td>07G1</td><td>07G1</td><td>07G1</td></tr> <tr><td>9SH0</td><td>9SH0</td><td>9SH0</td></tr> <tr><td>9MK1</td><td>9MK1</td><td>9MK1</td></tr> </table>	90	90	90	9845	9845	9845	9895	9895	9895	9KA3	9KA3	9KA3	98M1	98M1	98M1	9865	9865	9865	9866	9866	9866	9KA2	9KA2	9KA2	98M2	98M2	98M2	9898	9898	9898	9RA1	9RA1	9RA1	07G1	07G1	07G1	9SH0	9SH0	9SH0	9MK1	9MK1	9MK1	<p>↔ 361 cm</p>  <table border="1" data-bbox="1041 1236 1321 1492"> <tr><td>45</td><td>90</td><td>90</td><td>90</td><td>45</td></tr> <tr><td>9845</td><td>9845</td><td>9845</td><td>9845</td><td>9845</td></tr> <tr><td>9895</td><td>9895</td><td>9895</td><td>9895</td><td>9895</td></tr> <tr><td>9KA3</td><td>9KA3</td><td>9865</td><td>9KA3</td><td>9865</td></tr> <tr><td>98M1</td><td>98M1</td><td>9866</td><td>98M1</td><td>9866</td></tr> <tr><td>9865</td><td>9865</td><td>9KA2</td><td>9865</td><td>9865</td></tr> <tr><td>9866</td><td>9866</td><td>98M2</td><td>9866</td><td>9866</td></tr> <tr><td>9893</td><td>9KA2</td><td>9898</td><td>9KA2</td><td>9898</td></tr> <tr><td>98M2</td><td>98M2</td><td>9RA1</td><td>98M2</td><td>9898</td></tr> <tr><td>9898</td><td>9898</td><td>07G1</td><td>9898</td><td>9898</td></tr> <tr><td>9RA1</td><td>9RA1</td><td>9SH0</td><td>9RA1</td><td>9898</td></tr> <tr><td>07G1</td><td>07G1</td><td>9MK1</td><td>07G1</td><td>9898</td></tr> <tr><td>9SH0</td><td>9SH0</td><td></td><td>9SH0</td><td>9898</td></tr> <tr><td>9MK1</td><td>9MK1</td><td></td><td>9MK1</td><td>9898</td></tr> </table>	45	90	90	90	45	9845	9845	9845	9845	9845	9895	9895	9895	9895	9895	9KA3	9KA3	9865	9KA3	9865	98M1	98M1	9866	98M1	9866	9865	9865	9KA2	9865	9865	9866	9866	98M2	9866	9866	9893	9KA2	9898	9KA2	9898	98M2	98M2	9RA1	98M2	9898	9898	9898	07G1	9898	9898	9RA1	9RA1	9SH0	9RA1	9898	07G1	07G1	9MK1	07G1	9898	9SH0	9SH0		9SH0	9898	9MK1	9MK1		9MK1	9898																													
90	90	90																																																																																																																																												
9845	9845	9845																																																																																																																																												
9895	9895	9895																																																																																																																																												
9KA3	9KA3	9KA3																																																																																																																																												
98M1	98M1	98M1																																																																																																																																												
9865	9865	9865																																																																																																																																												
9866	9866	9866																																																																																																																																												
9KA2	9KA2	9KA2																																																																																																																																												
98M2	98M2	98M2																																																																																																																																												
9898	9898	9898																																																																																																																																												
9RA1	9RA1	9RA1																																																																																																																																												
07G1	07G1	07G1																																																																																																																																												
9SH0	9SH0	9SH0																																																																																																																																												
9MK1	9MK1	9MK1																																																																																																																																												
45	90	90	90	45																																																																																																																																										
9845	9845	9845	9845	9845																																																																																																																																										
9895	9895	9895	9895	9895																																																																																																																																										
9KA3	9KA3	9865	9KA3	9865																																																																																																																																										
98M1	98M1	9866	98M1	9866																																																																																																																																										
9865	9865	9KA2	9865	9865																																																																																																																																										
9866	9866	98M2	9866	9866																																																																																																																																										
9893	9KA2	9898	9KA2	9898																																																																																																																																										
98M2	98M2	9RA1	98M2	9898																																																																																																																																										
9898	9898	07G1	9898	9898																																																																																																																																										
9RA1	9RA1	9SH0	9RA1	9898																																																																																																																																										
07G1	07G1	9MK1	07G1	9898																																																																																																																																										
9SH0	9SH0		9SH0	9898																																																																																																																																										
9MK1	9MK1		9MK1	9898																																																																																																																																										

Options for installing the drawer units, shelf inserts and trouser pull-out

Synchronous sliding door wardrobes	Hinged/synchronous sliding door wardrobes with drawers	sliding door corner wardrobes																																																																																												
<p>↔ 271 cm</p>  <table border="1" data-bbox="369 406 582 598"> <tr> <td>67,5</td> <td>67,5</td> <td>67,5</td> <td>67,5</td> </tr> <tr> <td>9860</td> <td>9860</td> <td>9860</td> <td>9860</td> </tr> <tr> <td>9864</td> <td>9864</td> <td>9864</td> <td>9864</td> </tr> <tr> <td>9KA1</td> <td>9KA1</td> <td>9KA1</td> <td>9KA1</td> </tr> <tr> <td>9RA2</td> <td>9RA2</td> <td>9RA2</td> <td>9RA2</td> </tr> <tr> <td>07G2</td> <td>07G2</td> <td>07G2</td> <td>07G2</td> </tr> </table>	67,5	67,5	67,5	67,5	9860	9860	9860	9860	9864	9864	9864	9864	9KA1	9KA1	9KA1	9KA1	9RA2	9RA2	9RA2	9RA2	07G2	07G2	07G2	07G2	<p>↔ 316 cm</p>  <table border="1" data-bbox="1041 406 1288 614"> <tr> <td>90</td> <td>45</td> <td>90</td> <td>90</td> </tr> <tr> <td>9843</td> <td>9893</td> <td>9845</td> <td>9895</td> </tr> <tr> <td>9843</td> <td>9893</td> <td>9KA3</td> <td>9895</td> </tr> <tr> <td>9843</td> <td>9893</td> <td>9KA3</td> <td>9895</td> </tr> <tr> <td>9843</td> <td>9893</td> <td>98M1</td> <td>9895</td> </tr> <tr> <td>9843</td> <td>9893</td> <td>9KA2</td> <td>9895</td> </tr> <tr> <td>9843</td> <td>9893</td> <td>98M2</td> <td>9895</td> </tr> <tr> <td>9843</td> <td>9893</td> <td>9898</td> <td>9895</td> </tr> <tr> <td>9843</td> <td>9893</td> <td>9RA1</td> <td>9895</td> </tr> <tr> <td>9843</td> <td>9893</td> <td>07G1</td> <td>9895</td> </tr> <tr> <td>9843</td> <td>9893</td> <td>9SHO</td> <td>9895</td> </tr> </table>	90	45	90	90	9843	9893	9845	9895	9843	9893	9KA3	9895	9843	9893	9KA3	9895	9843	9893	98M1	9895	9843	9893	9KA2	9895	9843	9893	98M2	9895	9843	9893	9898	9895	9843	9893	9RA1	9895	9843	9893	07G1	9895	9843	9893	9SHO	9895	<p>↔ 187/181 cm</p>  <table border="1" data-bbox="1691 422 1960 614"> <tr> <td>66</td> <td>116</td> <td>111</td> <td>66</td> </tr> <tr> <td>9843</td> <td>9893</td> <td>9843</td> <td>9893</td> </tr> <tr> <td>9843</td> <td>9893</td> <td>9843</td> <td>9893</td> </tr> <tr> <td>9843</td> <td>9893</td> <td>9843</td> <td>9893</td> </tr> <tr> <td>9843</td> <td>9893</td> <td>9843</td> <td>9893</td> </tr> <tr> <td>9843</td> <td>9893</td> <td>9843</td> <td>9893</td> </tr> </table>	66	116	111	66	9843	9893	9843	9893	9843	9893	9843	9893	9843	9893	9843	9893	9843	9893	9843	9893	9843	9893	9843	9893
67,5	67,5	67,5	67,5																																																																																											
9860	9860	9860	9860																																																																																											
9864	9864	9864	9864																																																																																											
9KA1	9KA1	9KA1	9KA1																																																																																											
9RA2	9RA2	9RA2	9RA2																																																																																											
07G2	07G2	07G2	07G2																																																																																											
90	45	90	90																																																																																											
9843	9893	9845	9895																																																																																											
9843	9893	9KA3	9895																																																																																											
9843	9893	9KA3	9895																																																																																											
9843	9893	98M1	9895																																																																																											
9843	9893	9KA2	9895																																																																																											
9843	9893	98M2	9895																																																																																											
9843	9893	9898	9895																																																																																											
9843	9893	9RA1	9895																																																																																											
9843	9893	07G1	9895																																																																																											
9843	9893	9SHO	9895																																																																																											
66	116	111	66																																																																																											
9843	9893	9843	9893																																																																																											
9843	9893	9843	9893																																																																																											
9843	9893	9843	9893																																																																																											
9843	9893	9843	9893																																																																																											
9843	9893	9843	9893																																																																																											
<p>↔ 316 cm</p>  <table border="1" data-bbox="369 694 616 885"> <tr> <td>90</td> <td>45</td> <td>90</td> <td>90</td> </tr> <tr> <td>9865</td> <td>9843</td> <td>9865</td> <td>9865</td> </tr> <tr> <td>9866</td> <td>9893</td> <td>9866</td> <td>9866</td> </tr> <tr> <td>9KA2</td> <td>9KA0</td> <td>9KA2</td> <td>9KA2</td> </tr> <tr> <td>98M2</td> <td>9893</td> <td>98M2</td> <td>98M2</td> </tr> <tr> <td>9898</td> <td>9898</td> <td>9898</td> <td>9898</td> </tr> <tr> <td>9RA1</td> <td>9898</td> <td>9RA1</td> <td>9RA1</td> </tr> <tr> <td>07G1</td> <td>07G1</td> <td>07G1</td> <td>07G1</td> </tr> <tr> <td>9SHO</td> <td>9SHO</td> <td>9SHO</td> <td>9SHO</td> </tr> </table>	90	45	90	90	9865	9843	9865	9865	9866	9893	9866	9866	9KA2	9KA0	9KA2	9KA2	98M2	9893	98M2	98M2	9898	9898	9898	9898	9RA1	9898	9RA1	9RA1	07G1	07G1	07G1	07G1	9SHO	9SHO	9SHO	9SHO	<p>↔ 361 cm</p>  <table border="1" data-bbox="1041 694 1310 885"> <tr> <td>90</td> <td>90</td> <td>90</td> <td>90</td> </tr> <tr> <td>9865</td> <td>9865</td> <td>9865</td> <td>9865</td> </tr> <tr> <td>9866</td> <td>9866</td> <td>9866</td> <td>9866</td> </tr> <tr> <td>9KA2</td> <td>9KA2</td> <td>9KA2</td> <td>9KA2</td> </tr> <tr> <td>98M2</td> <td>98M2</td> <td>98M2</td> <td>98M2</td> </tr> <tr> <td>9898</td> <td>9898</td> <td>9898</td> <td>9898</td> </tr> <tr> <td>9RA1</td> <td>9RA1</td> <td>9RA1</td> <td>9RA1</td> </tr> <tr> <td>07G1</td> <td>07G1</td> <td>07G1</td> <td>07G1</td> </tr> <tr> <td>9SHO</td> <td>9SHO</td> <td>9SHO</td> <td>9SHO</td> </tr> </table>	90	90	90	90	9865	9865	9865	9865	9866	9866	9866	9866	9KA2	9KA2	9KA2	9KA2	98M2	98M2	98M2	98M2	9898	9898	9898	9898	9RA1	9RA1	9RA1	9RA1	07G1	07G1	07G1	07G1	9SHO	9SHO	9SHO	9SHO																					
90	45	90	90																																																																																											
9865	9843	9865	9865																																																																																											
9866	9893	9866	9866																																																																																											
9KA2	9KA0	9KA2	9KA2																																																																																											
98M2	9893	98M2	98M2																																																																																											
9898	9898	9898	9898																																																																																											
9RA1	9898	9RA1	9RA1																																																																																											
07G1	07G1	07G1	07G1																																																																																											
9SHO	9SHO	9SHO	9SHO																																																																																											
90	90	90	90																																																																																											
9865	9865	9865	9865																																																																																											
9866	9866	9866	9866																																																																																											
9KA2	9KA2	9KA2	9KA2																																																																																											
98M2	98M2	98M2	98M2																																																																																											
9898	9898	9898	9898																																																																																											
9RA1	9RA1	9RA1	9RA1																																																																																											
07G1	07G1	07G1	07G1																																																																																											
9SHO	9SHO	9SHO	9SHO																																																																																											
<p>↔ 361 cm</p>  <table border="1" data-bbox="369 981 649 1173"> <tr> <td>90</td> <td>90</td> <td>90</td> <td>90</td> </tr> <tr> <td>9865</td> <td>9865</td> <td>9865</td> <td>9865</td> </tr> <tr> <td>9866</td> <td>9866</td> <td>9866</td> <td>9866</td> </tr> <tr> <td>9KA2</td> <td>9KA2</td> <td>9KA2</td> <td>9KA2</td> </tr> <tr> <td>98M2</td> <td>98M2</td> <td>98M2</td> <td>98M2</td> </tr> <tr> <td>9898</td> <td>9898</td> <td>9898</td> <td>9898</td> </tr> <tr> <td>9RA1</td> <td>9RA1</td> <td>9RA1</td> <td>9RA1</td> </tr> <tr> <td>07G1</td> <td>07G1</td> <td>07G1</td> <td>07G1</td> </tr> <tr> <td>9SHO</td> <td>9SHO</td> <td>9SHO</td> <td>9SHO</td> </tr> </table>	90	90	90	90	9865	9865	9865	9865	9866	9866	9866	9866	9KA2	9KA2	9KA2	9KA2	98M2	98M2	98M2	98M2	9898	9898	9898	9898	9RA1	9RA1	9RA1	9RA1	07G1	07G1	07G1	07G1	9SHO	9SHO	9SHO	9SHO																																																										
90	90	90	90																																																																																											
9865	9865	9865	9865																																																																																											
9866	9866	9866	9866																																																																																											
9KA2	9KA2	9KA2	9KA2																																																																																											
98M2	98M2	98M2	98M2																																																																																											
9898	9898	9898	9898																																																																																											
9RA1	9RA1	9RA1	9RA1																																																																																											
07G1	07G1	07G1	07G1																																																																																											
9SHO	9SHO	9SHO	9SHO																																																																																											

ACCESSORIES 1.1

rauch ORANGE

for sliding door robes




Element width 45, 67,5, 90, 112,5 cm

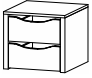



Purchase Price List
Prices = invoice prices in Euro

23.02.2024 SB
valid from 01.04.2024 until revoked



Colour	Colour code
Texline (natural-colour linen look)	A0033




ELEMENT WIDTH ▶		45	45	45	
					
		Fachboden for unit width 45cm ↔43 cm †1,6 cm ↗48 cm	Shoe shelves with profiles for unit width 45cm ↔43 cm †1,6 cm ↗37 cm	hanging rail for unit width 45cm ↔43 cm †3 cm ↗2 cm	
1 pieces	Price	9664		9737	
Set of 2		9665	9FE2		
Set of 3		9666	9FE3		
Set of 5		9667			





ELEMENT WIDTH ▶		45	45	45	45
Please be sure to observe the options for installing in sliding door wardrobes on page 2/3.					
		interior drawer with 2 drawers for unit width 45cm ↔43 cm †39 cm ↗45 cm	interior drawer with 3 drawers for unit width 45cm ↔43 cm †57 cm ↗45 cm	interior drawer with 4 drawers for unit width 45cm ↔43 cm †80 cm ↗45 cm	fabric box Set of 2 (4 small, 2 large boxes) ↔31 cm †8 cm ↗39 cm
	Article	Price	9843	9893	9KA0

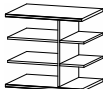


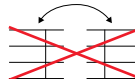
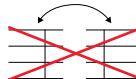
for sliding door robes

Element width 45, 67,5, 90, 112,5 cm

Colour	Colour code
Textline (natural-colour linen look)	A0033

ELEMENT WIDTH ▶		67,5	67,5	67,5	67,5
					
		Fachboden for unit width 66cm ↔66 cm †1,6 cm ↗48 cm	Schuhablageböden with profiles for unit width 66cm ↔66 cm †1,6 cm ↗37 cm	hanging rail for unit width 66cm ↔65 cm †3 cm ↗2 cm	
1 pieces	Price	9668		9743	
Set of 2		9669	9FG2		
Set of 3		9670	9FG3		
Set of 5		9671			

ELEMENT WIDTH ▶		67,5	67,5	67,5	67,5
Please be sure to observe the options for installing in sliding door wardrobes on page 2/3.					
		interior drawer with 2 drawers for unit width 66cm ↔66 cm †39 cm ↗45 cm	interior drawer with 3 drawers for unit width 66cm ↔66 cm †57 cm ↗45 cm	interior drawer with 4 drawers indented for unit width 67cm ↔66 cm †81 cm ↗45 cm	fabric box Set of 3 (6 small, 3 large boxes) ↔47 cm †8 cm ↗39 cm
Article	Price	9864	9860	9KA1	9381

ELEMENT WIDTH ▶		67,5	67,5	67,5	67,5
Shelf inserts can only be fitted as shown. Not possible to convert to the right!					
Please be sure to observe the options for installing in sliding door wardrobes on page 2/3.					
		shelf commitment for unit width 67cm ↔66 cm †60 cm ↗50 cm	shelf commitment incl. 3 fabric boxes for unit width 67cm ↔66 cm †60 cm ↗50 cm	mesh basket insert ↔66 cm †50 cm ↗50 cm	
Article	Price	9RA2	07G2	9MK0	

ACCESSORIES 1.1

rauch ORANGE

for sliding door robes





Element width 45, 67,5, 90, 112,5 cm


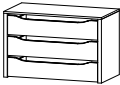
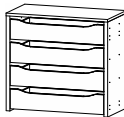


Purchase Price List
Prices = invoice prices in Euro


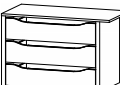



23.02.2024 SB
valid from 01.04.2024 until revoked



Colour	Colour code
Texline (natural-colour linen look)	A0033

ELEMENT WIDTH ▶		90	90	90	90
					
		Fachboden for unit width 90cm ↔88 cm †1,6 cm ↗48 cm	Schuhablageböden with profiles for unit width 90cm ↔88 cm †13 cm ↗37 cm	hanging rail for unit width 90cm ↔87 cm †3 cm ↗2 cm	trouser pull-out with 1 shelf for unit width 90cm ↔88 cm †10 cm ↗50 cm
1 pieces	Price	9672		9736	9SH0
Set of 2		9673	9FH2		Please be sure to observe the options for installing in sliding door wardrobes on page 2/3.
Set of 3		9674	9FH3		
Set of 5		9675			

ELEMENT WIDTH ▶		90	90	90	90	90
Please be sure to observe the options for installing in sliding door wardrobes on page 2/3.						
		interior drawer with 2 drawers for unit width 90cm ↔88 cm †39 cm ↗45 cm	interior drawer with 3 drawers for unit width 90cm ↔88 cm †57 cm ↗45 cm	interior drawer with 4 drawers for unit width 90cm ↔88 cm †81 cm ↗45 cm	interior drawer with interior division for unit width 90cm ↔88 cm †81 cm ↗45 cm	fabric box Set of 5 (10 small, 5 large boxes) ↔78 cm †8 cm ↗39 cm
Article	Price	9845	9895	9KA3	98M1	9383

ELEMENT WIDTH ▶		90	90	90	90	90
Please be sure to observe the options for installing in sliding door wardrobes on page 2/3.						
		interior drawer with 2 drawers for unit width 90cm ↔88 cm †39 cm ↗45 cm	interior drawer with 3 drawers for unit width 90cm ↔88 cm †57 cm ↗45 cm	interior drawer with 4 drawers indented for unit width 90cm ↔88 cm †81 cm ↗45 cm	interior drawer with 5 drawers indented for unit width 90cm ↔88 cm †81 cm ↗45 cm	fabric box for drawer insert indented Set of 4 (8 small, 4 large boxes) ↔62 cm †8 cm ↗39 cm
Article	Price	9865	9866	9KA2	98M2	9382

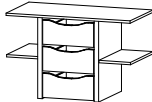
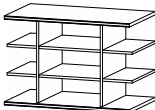
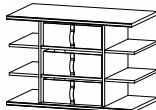

ACCESSORIES 1.1

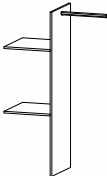
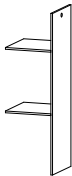
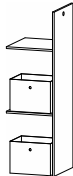
rauch ORANGE

for sliding door robes

Element width 45, 67,5, 90, 112,5 cm

Colour	Colour code
Textline (natural-colour linen look)	A0033

ELEMENT WIDTH ▶		90	90	90	90
Please be sure to observe the options for installing in sliding door wardrobes on page 2/3.					
		interior drawer for unit width 90cm with 3 drawers with shelves ↔88 cm †57 cm ↗45 cm	shelf commitment for unit width 90cm ↔88 cm †60 cm ↗50 cm	shelf commitment incl. 3 fabric boxes for unit width 90cm ↔88 cm †60 cm ↗50 cm	mesh basket insert ↔88 cm †50 cm ↗50 cm
	Article	Price	9898	9RA1	07G1

ELEMENT WIDTH ▶		90	90	90	
interior division not possible for elements with drawers!					
		wardrobe interior division with clothes rail with 2 shelves for unit width 90cm ↔88 cm †147 cm ↗48 cm	wardrobe interior division with 2 shelves for unit width 90cm ↔45 cm †147 cm ↗48 cm	wardrobe interior division incl. 2 fabric boxes with 2 shelves for unit width 90cm ↔45 cm †147 cm ↗48 cm	
	Article	Price	9991	9955	93H1

ACCESSORIES 1.1

rauch ORANGE

for sliding door robes



Element width 45, 67,5, 90, 112,5 cm


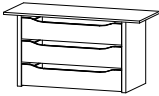
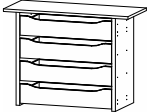

Purchase Price List
Prices = invoice prices in Euro

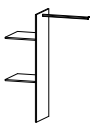

23.02.2024 SB
valid from 01.04.2024 until revoked







Colour	Colour code
Texline (natural-colour linen look)	A0033




ELEMENT WIDTH ▶		112,5	112,5		
Design constraints necessitate a shelf thickness of 2.2 cm on unit widths of 112.5 cm.					
		Fachboden for unit width 112,5cm ↔111 cm †2 cm ↗48 cm	hanging rail for unit width 112,5cm ↔110 cm †3 cm ↗2 cm		
	1 pieces	Price 9F01	9709		
	Set of 2	9F02			
	Set of 3	9F03			

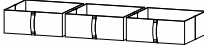
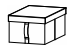
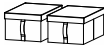
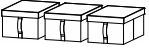
ELEMENT WIDTH ▶		112,5	112,5	112,5	112,5
Please be sure to observe the options for installing in sliding door wardrobes on page 2/3.					
		interior drawer with 2 drawers for unit width 112,5cm ↔111 cm †39 cm ↗45 cm	interior drawer with 3 drawers for unit width 112,5cm ↔111 cm †57 cm ↗45 cm	interior drawer with 4 drawers indented for unit width 112cm ↔111 cm †81 cm ↗45 cm	fabric box Set of 5 (10 small, 5 large boxes) ↔78 cm †8 cm ↗39 cm
	Article	Price 9804	9806	9KA4	9383

ELEMENT WIDTH ▶		112,5	112,5		
		interior division not possible for elements with drawers!			
					
		wardrobe interior division with clothes rail with 2 shelves for unit width 112,5cm ↔110 cm †147 cm ↗48 cm	wardrobe interior division with 2 shelves for unit width 90cm ↔45 cm †147 cm ↗48 cm		
Article	Price	9939	9955		

Colour	Colour code
Texline (natural-colour linen look)	A0033

GENERAL		damper for sliding doors rauch EASY SLIDE for sliding door robes							
									
					set of 2 dampers for sliding wardrobes EASY of 2 and 3 door sliding door wardrobes Cushions the door stop on the outer panels. ↔5 cm †2 cm ↗27 cm	damper for middle door, 1 pieces EASY SLIDE of 3 door Sliding door wardrobes, damper for middle door ↔4 cm †2 cm ↗28 cm	damper for sliding doors, 1 pieces EASY SLIDE for hinged/sliding door wardrobes (1 Sliding doors) can be mounted on the left or right! ↔5 cm †2 cm ↗27 cm		
					Article	Price	9DC2	9DC4	9DC1

GENERAL		damper for sliding doors rauch EASY SLIDE for synchronous sliding door robes				
			<p>HINWEIS! For fitting the damper 9DS5 for synchronous sliding-door wardrobes width 226cm and 316cm, a room height of wardrobe height + 25 cm is required.</p> <p>Ex: wardrobe height 210 cm + 25 cm = required room height 235 cm</p>			
					set of 3 dampers for sliding wardrobes <u>ONLY</u> for synchronous sliding door robes Width 271, 361 cm, 4-door	set of 3 dampers for sliding wardrobes <u>ONLY</u> for synchronous sliding door robes Width 316 cm, 4-door
					Article	Price

GENERAL											
											
						fabric box for shelf unit ↔41 cm †16 cm ↗41 cm	fabric box with lid for shelf unit 1 piece ↔26 cm †18 cm ↗40 cm	fabric box with lid set of 2 for shelf unit ↔26 cm †18 cm ↗40 cm	fabric box with lid set of 3 for shelf unit ↔26 cm †18 cm ↗40 cm		
						Article	Price	9384	9385	9386	9387

ACCESSORIES 1.1

rauch ORANGE



General

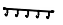


Purchase Price List
Prices = invoice prices in Euro


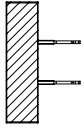
23.02.2024 SB
valid from 01.04.2024 until revoked




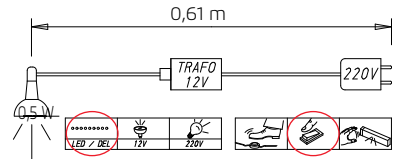

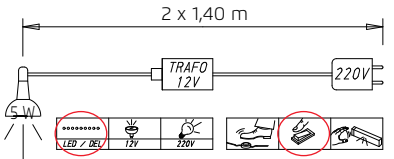
Colour	Colour code
Texline (natural-colour linen look)	A0033


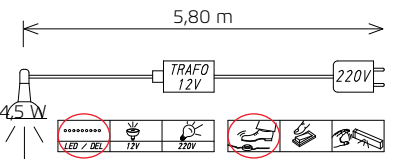
GENERAL		Extras for bedside tables and chests.		
				
		drawer division with 3 shelves felt	drawer division with 6 shelves	
		↔39 cm †10 cm ↗33 cm	↔79 cm †10 cm ↗33 cm	
Article	Price	9S91	9S92	


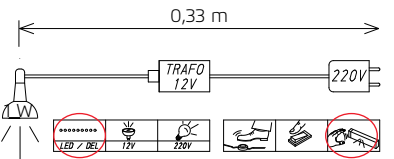
GENERAL				
				
		hooks	trouser holder	coat hanger rail
		↔35 cm †5 cm ↗5 cm	↔25 cm †7 cm ↗46 cm	↔7 cm †52 cm ↗28 cm
Article	Price	9HL1	990H	9767

GENERAL				
				
		wall mirror	interior mirror	
		↔60 cm †90 cm ↗2 cm	mirror width 31 cm hinged extends from 45 to 73 cm ↔46 cm †115 cm ↗4 cm	
Article	Price	98A7	9408	

Colour	Colour code
Texline (natural-colour linen look)	A0033

GENERAL				
 <p>interior lights with motion sensor LED light ↔23 cm ↓2 cm ↗11 cm</p>		 <p>0,61 m</p> <p>TRAFO 12V 220V</p> <p>LED / DEL 12V 230V</p>	 <p>set of 2 LED lights swivelling for bed 2 x ↔17 cm ↓49 cm ↗17 cm</p> <p>99LP</p>	 <p>2 x 1,40 m</p> <p>TRAFO 12V 220V</p> <p>LED / DEL 12V 230V</p> <p>This product contains a light source of the energy efficiency class G.</p> <p>EPREL 762229</p>
Article	Price	9T1B		

GENERAL		
<p>Lights not possible on synchronous sliding door wardrobes!</p>  <p>set of 2 LED lights aluminium Linea-Stixx ↔35 cm ↓6 cm ↗19 cm</p>		 <p>5,80 m</p> <p>TRAFO 12V 220V</p> <p>LED / DEL 12V 230V</p> <p>This product contains a light source of the energy efficiency class G.</p> <p>EPREL 766530</p>
Set of 2	Price	9L48
Set of 3	Price	9L49

GENERAL		
 <p>LED light with motion sensor LED light ↔4 cm ↓2 cm ↗10 cm</p>		 <p>0,33 m</p> <p>TRAFO 12V 220V</p> <p>LED / DEL 12V 230V</p>
1 pieces	Price	9BB0
Set of 2	Price	9BB1
Set of 3	Price	9BB2

ACCESSORIES 1.1

rauch ORANGE

Purchase Price List
Prices = invoice prices in Euro

23.02.2024 SB
valid from 01.04.2024 until revoked



Colour	Colour code
Texline (natural-colour linen look)	A0033

ACCESSORIES		Accessories for sliding door wardrobes	
for unit width 45 cm			
	interior-package interior drawer, set of 3 shelves, set of 2 dampers for sliding wardrobes	interior-package interior drawer, set of 3 shelves, fabric box 1 pieces, set of 2 dampers for sliding wardrobes	
Article	Price	0ZS5	0ZS4

ACCESSORIES		Accessories for sliding door wardrobes	
for unit width 67,5 cm			
	interior-package interior drawer, set of 3 shelves, set of 2 dampers for sliding wardrobes	interior-package interior drawer, set of 3 shelves, fabric box Set of 2, set of 2 dampers for sliding wardrobes	
Article	Price	0ZS2	0ZS1

ACCESSORIES		Accessories for sliding door wardrobes	
for unit width 90 cm			
	interior-package interior drawer, set of 3 shelves, set of 2 dampers for sliding wardrobes	interior-package interior drawer, set of 3 shelves, fabric box Set of 3, set of 2 dampers for sliding wardrobes	
Article	Price	04M2	0ZS3