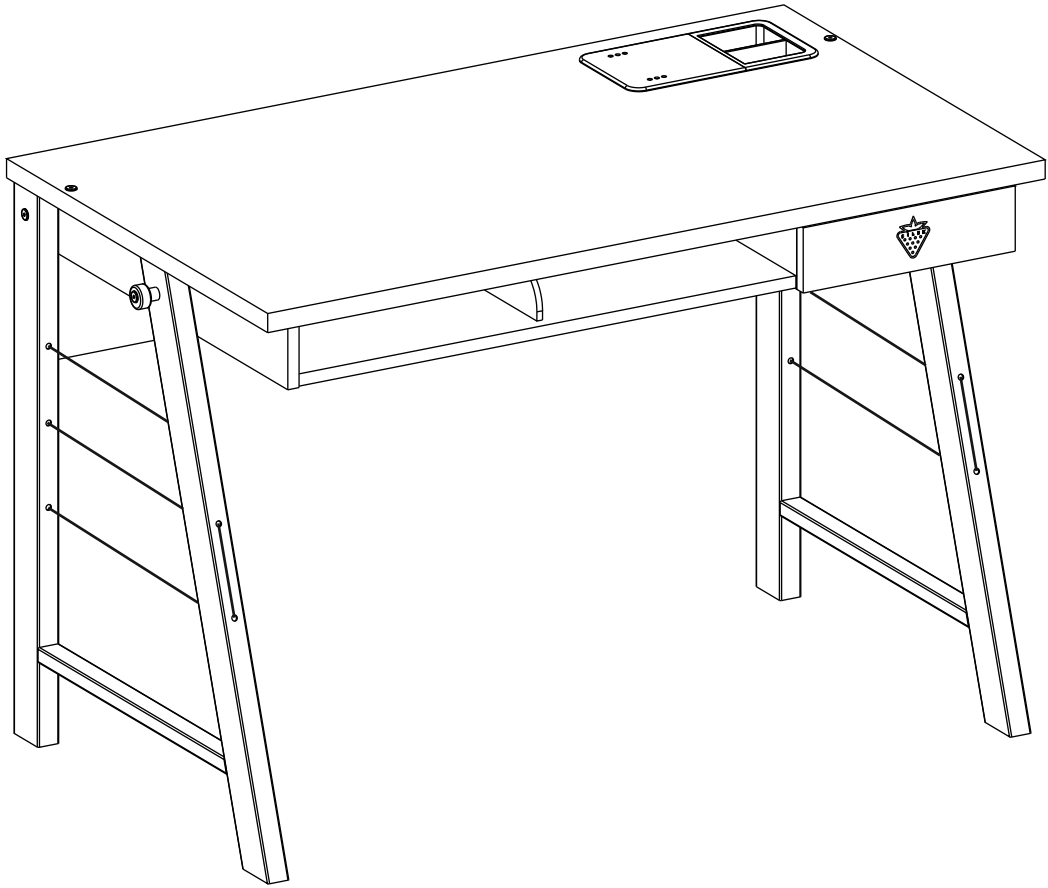
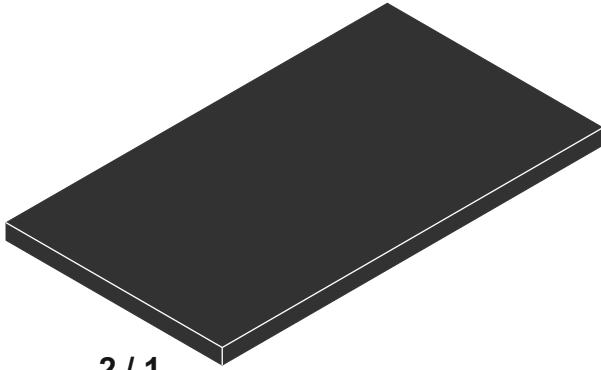
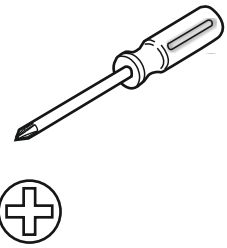
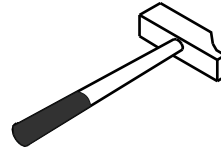
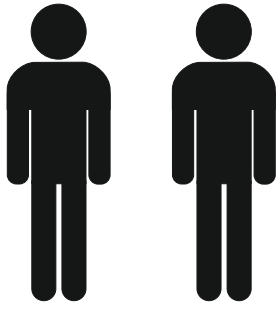
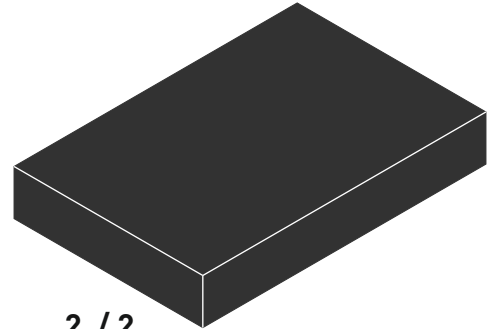


**20.40.1103.00**

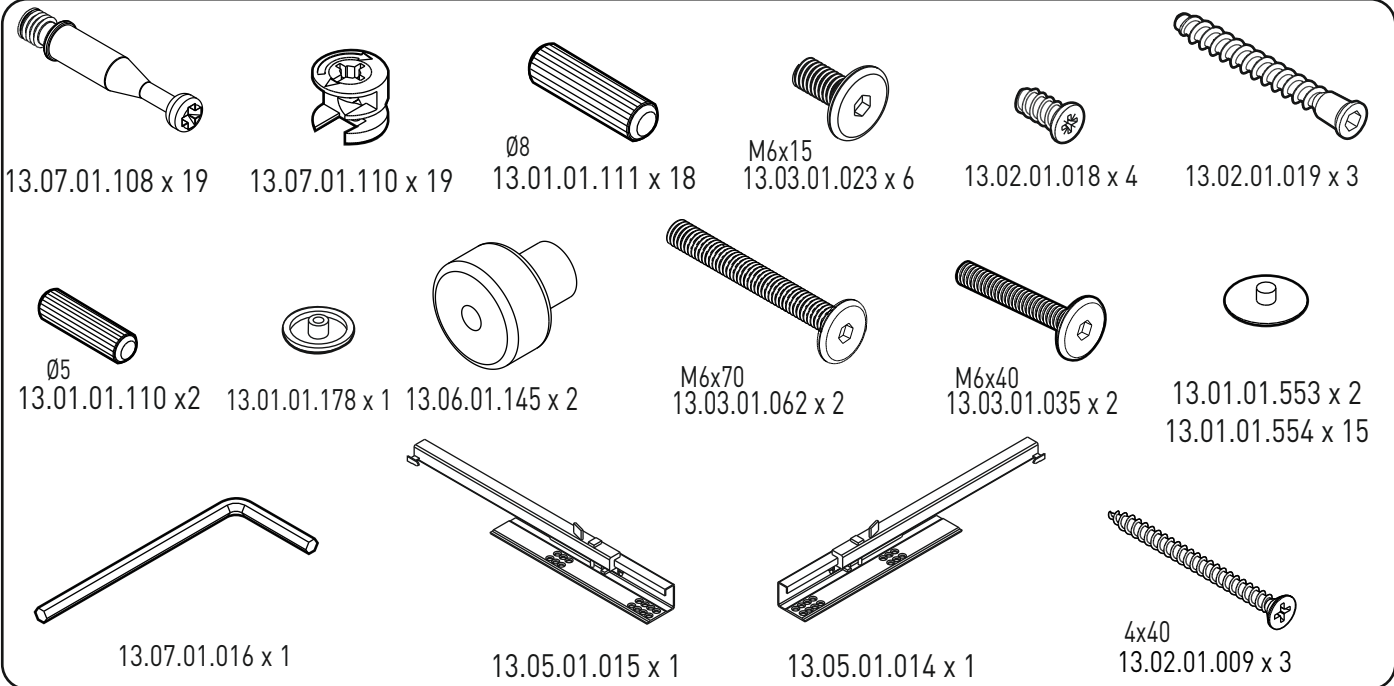




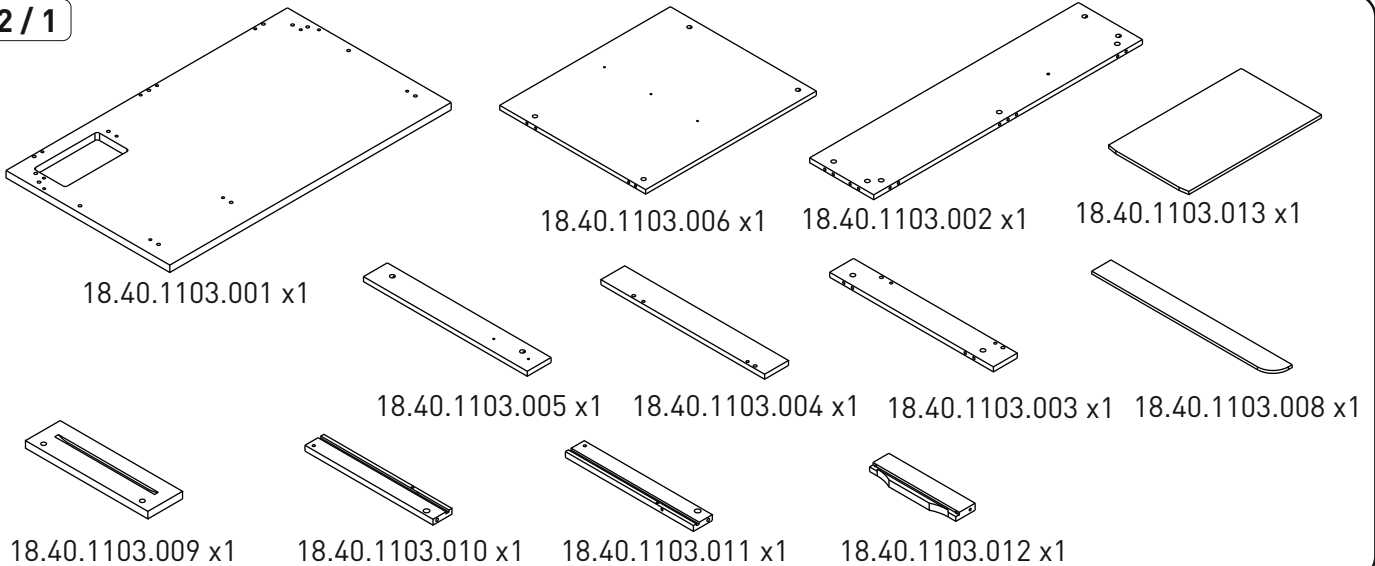
2 / 1



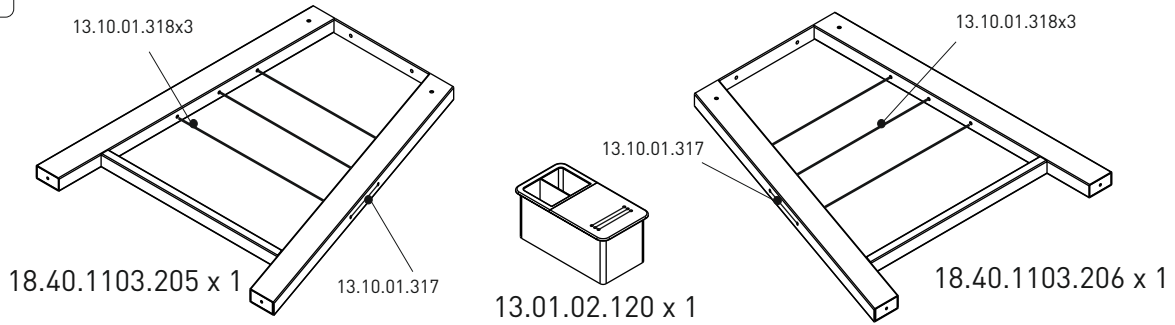
2 / 2



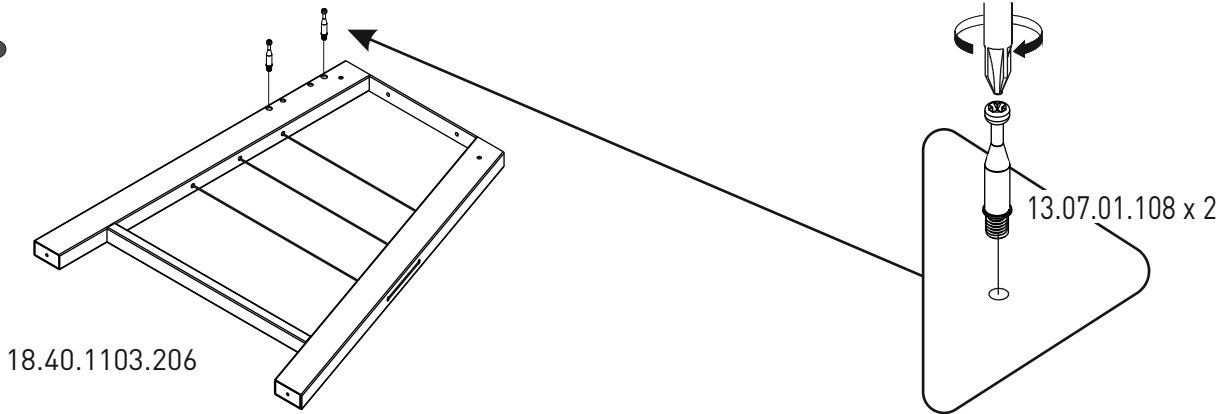
2 / 1



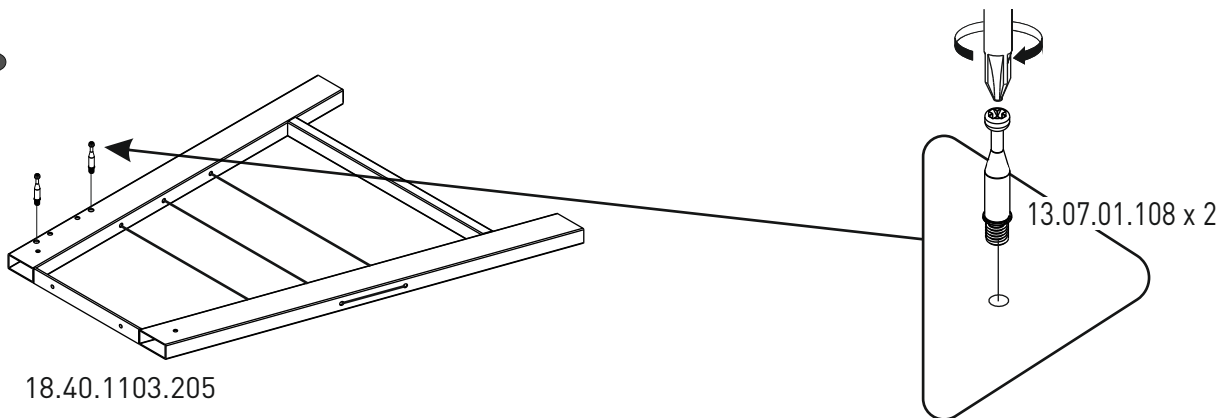
2/2



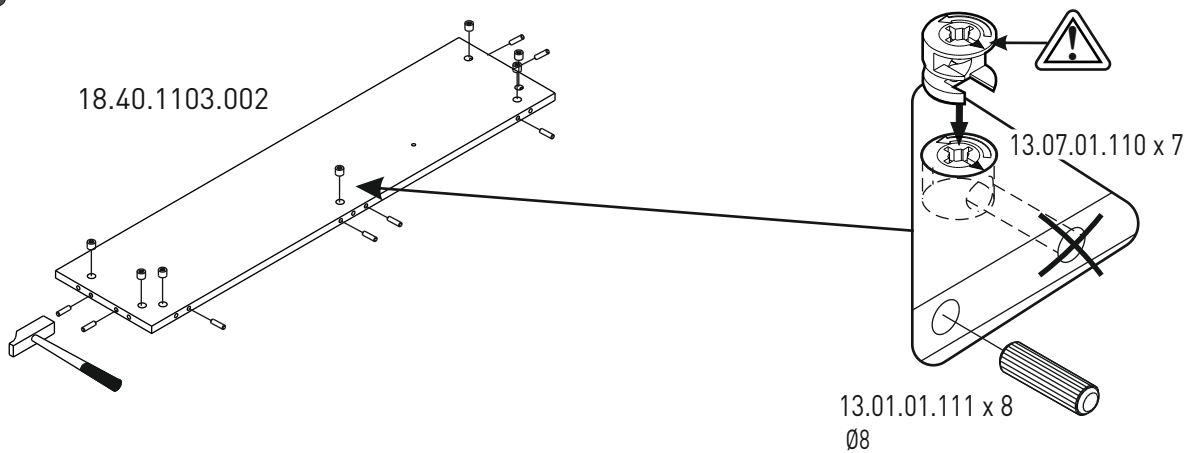
1



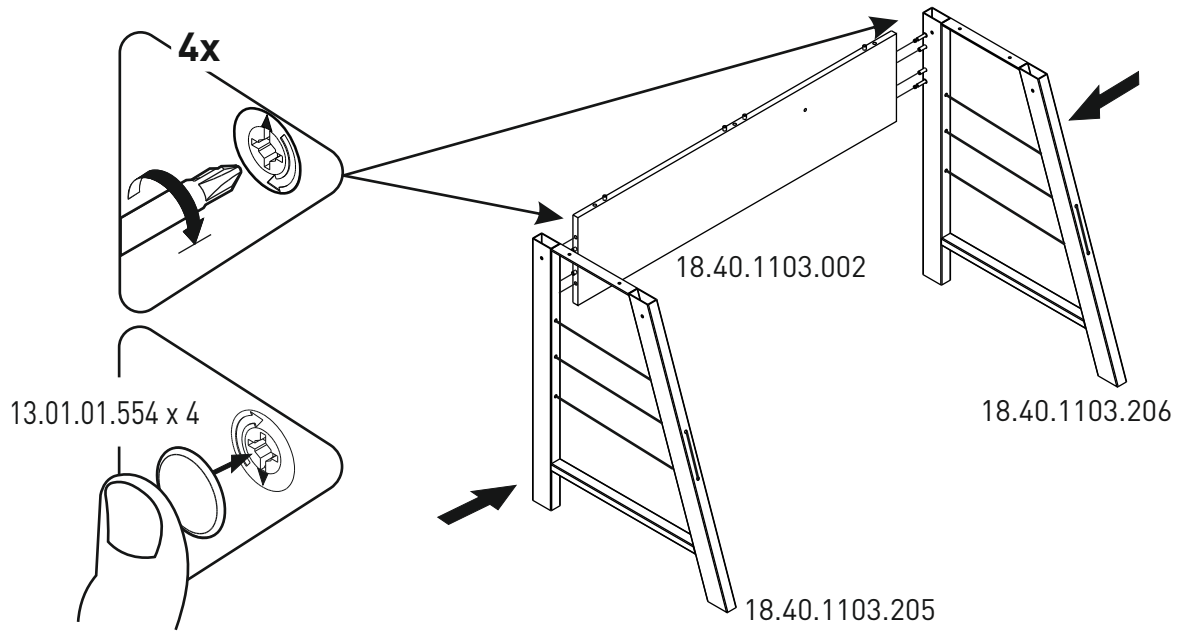
2



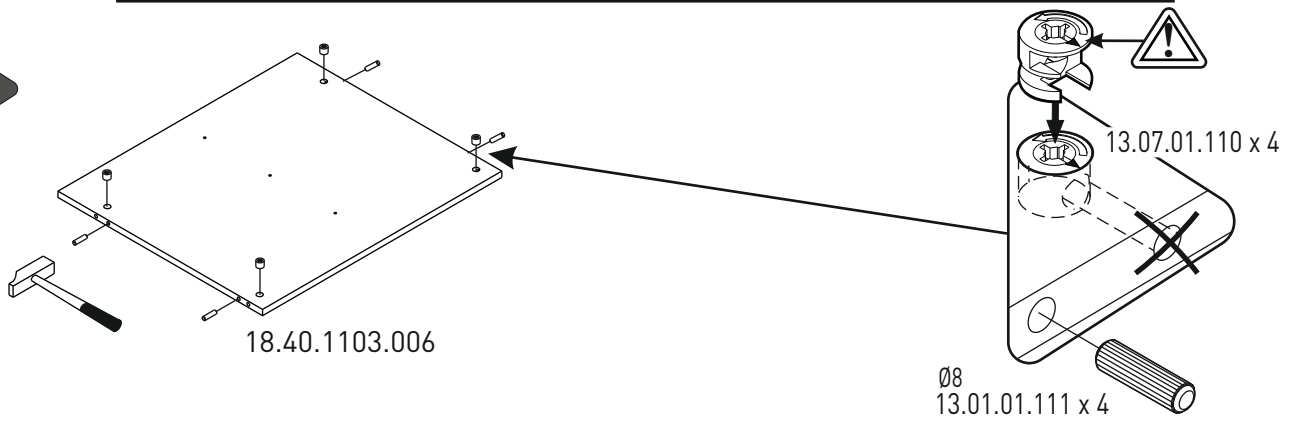
3



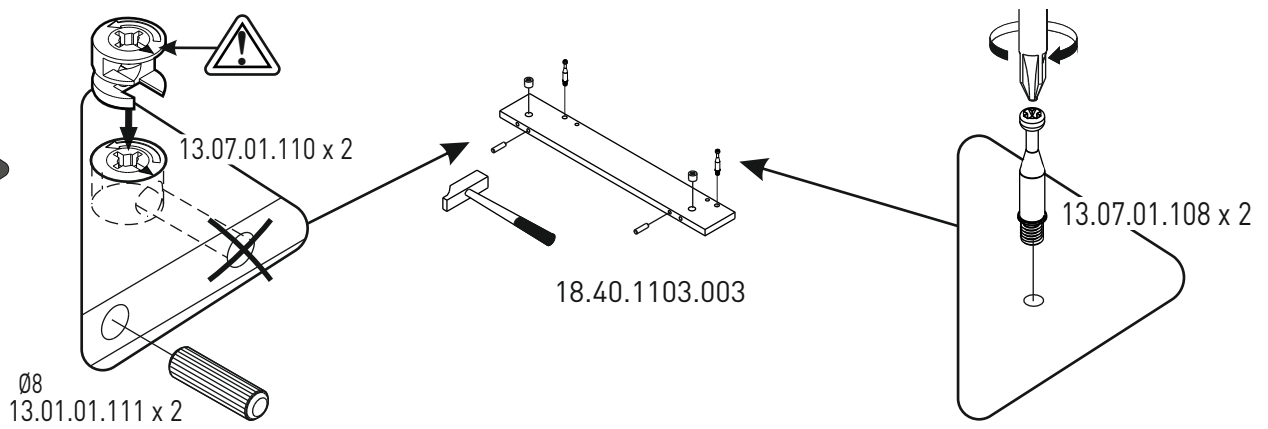
4



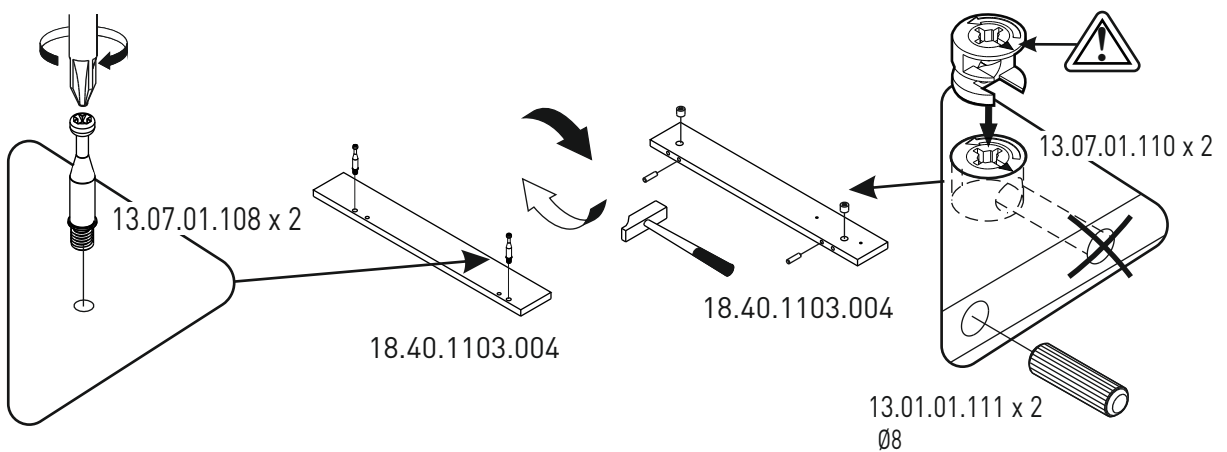
5



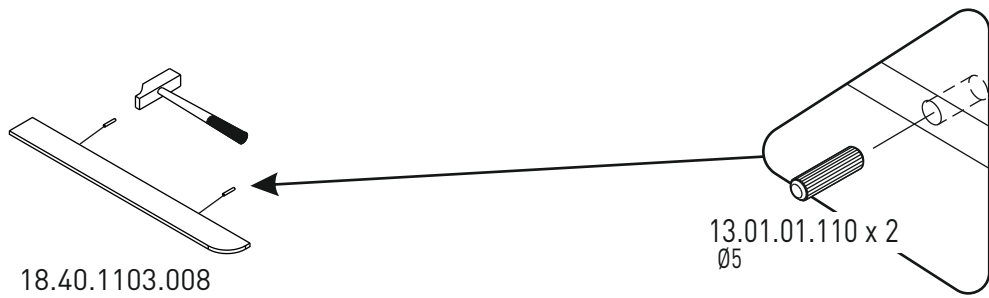
6



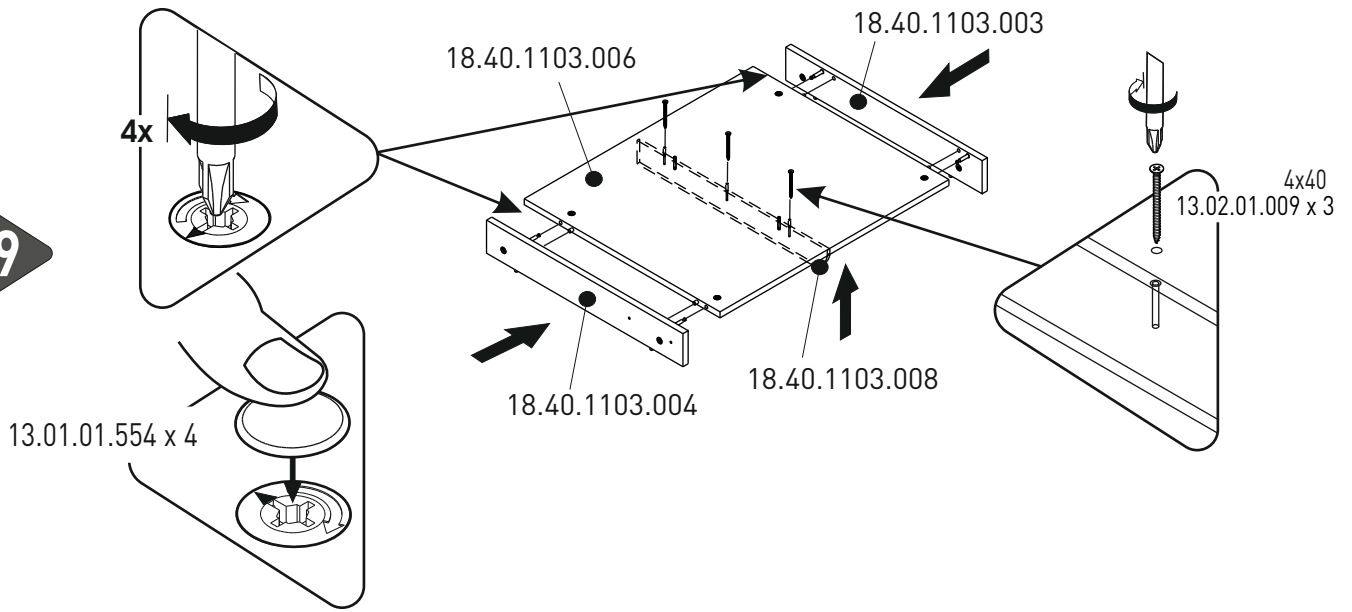
7



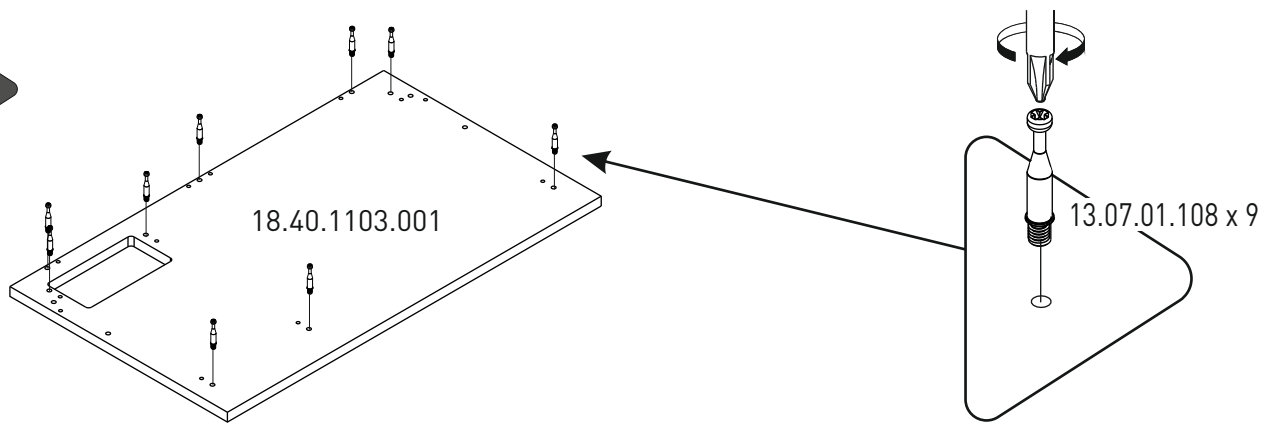
8



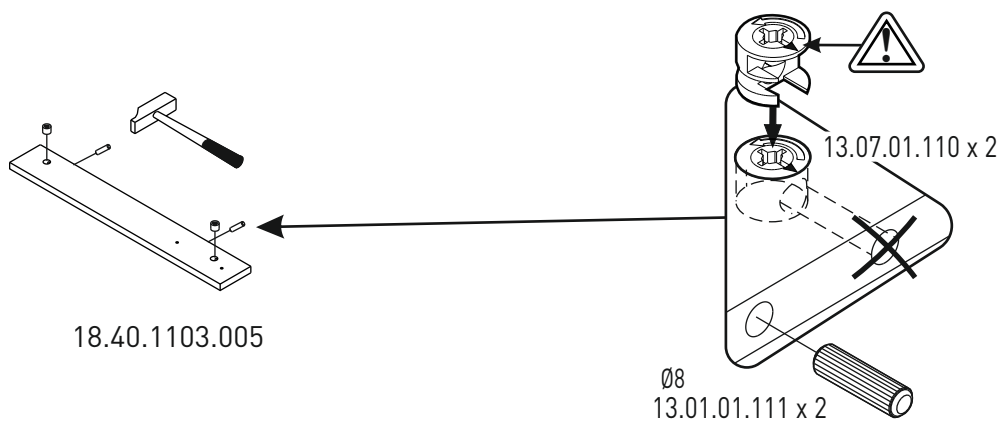
9



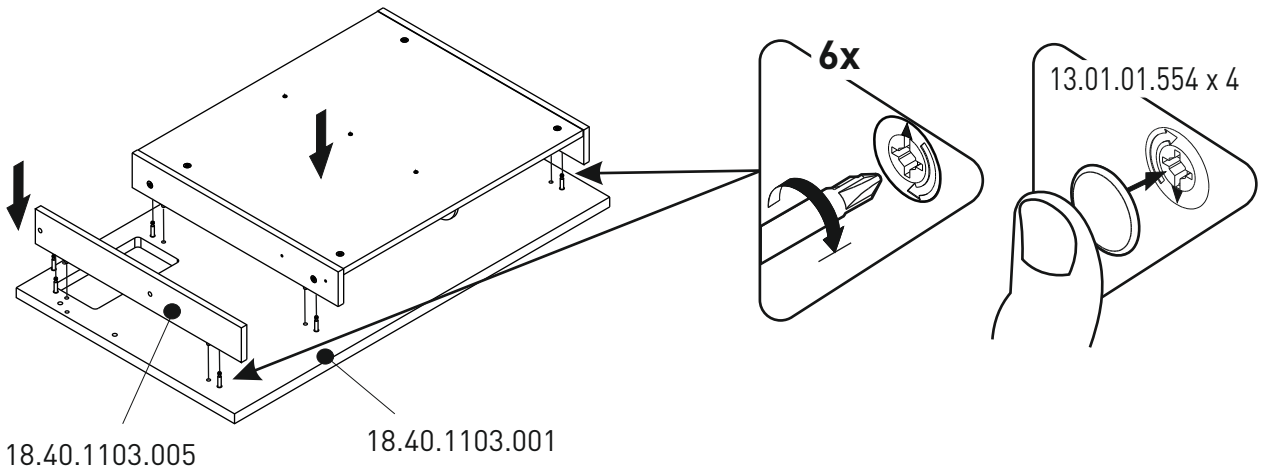
10



11



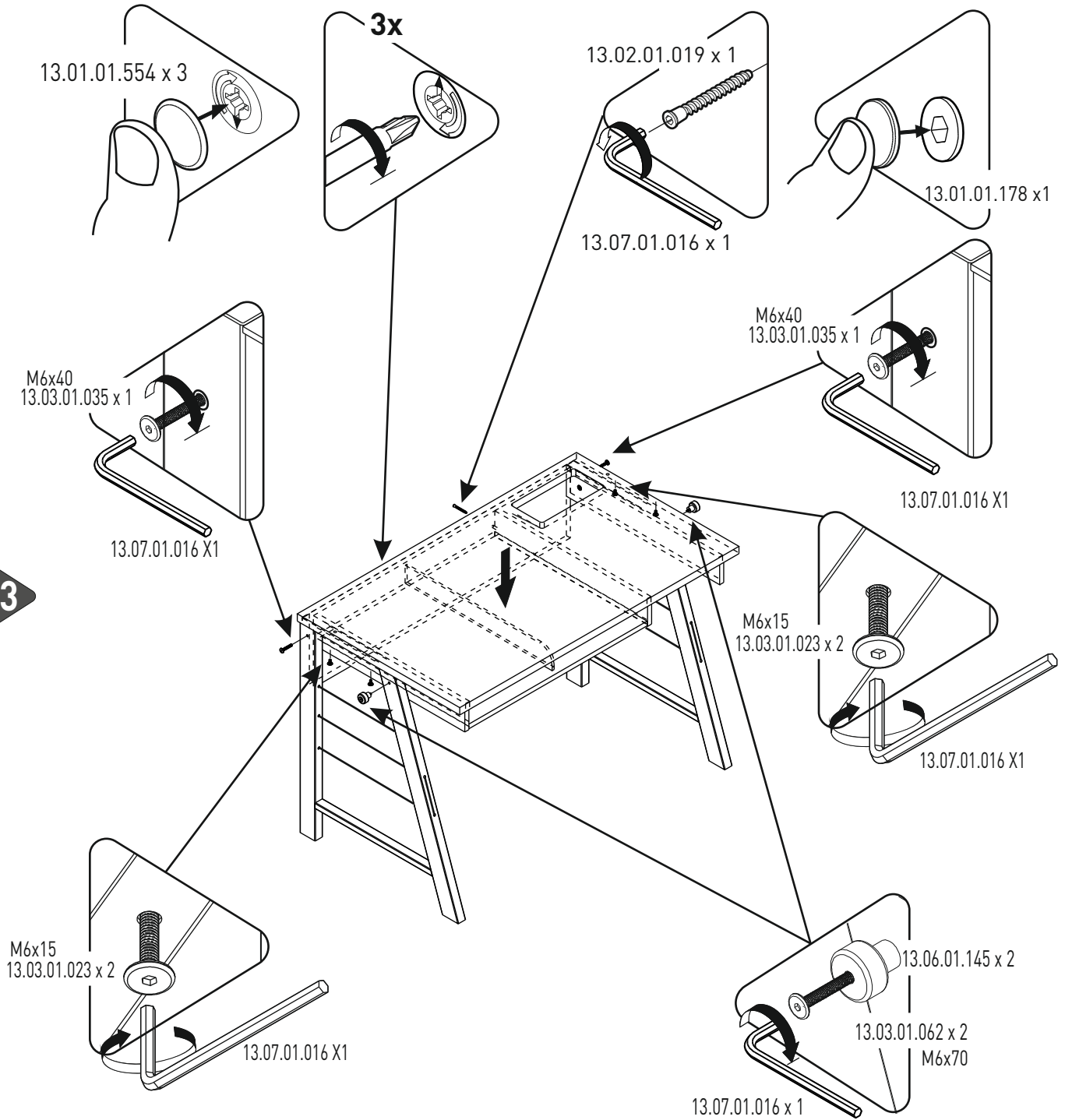
12



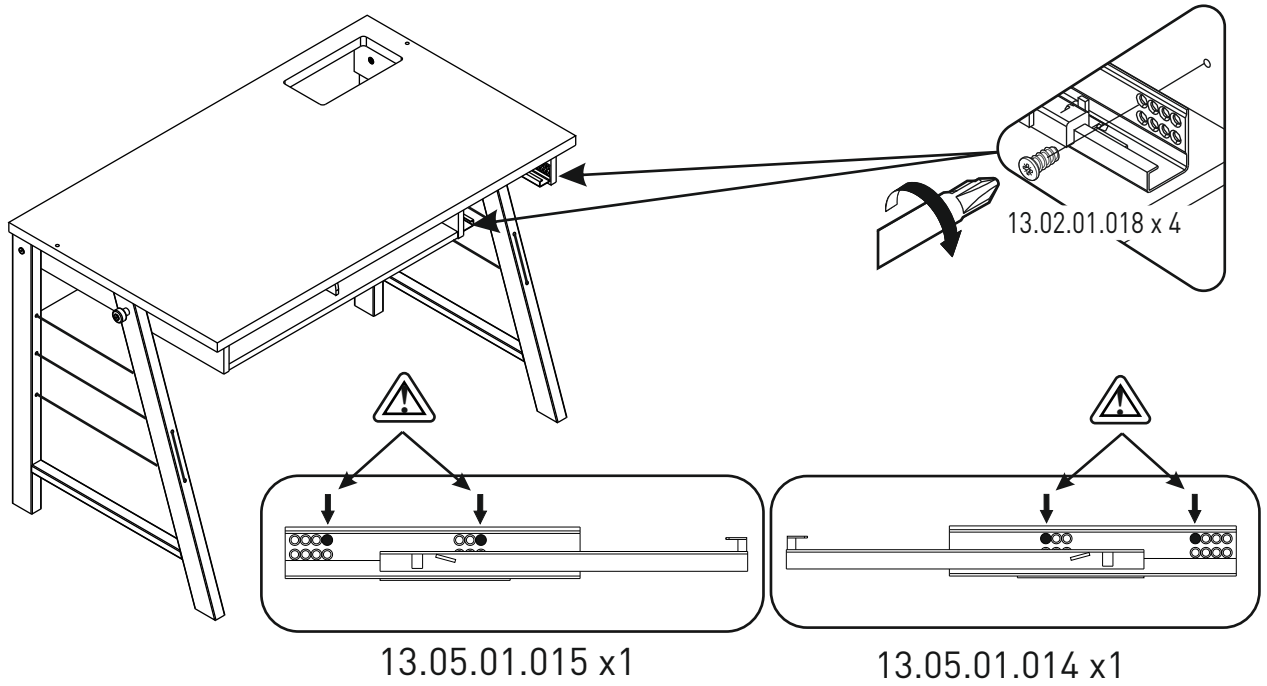
18.40.1103.005

18.40.1103.001

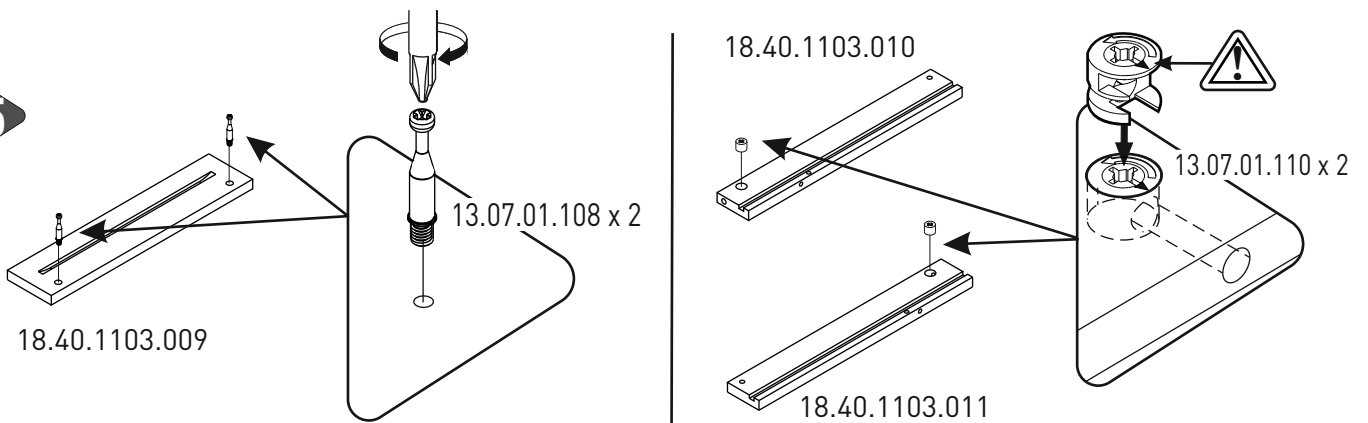
13



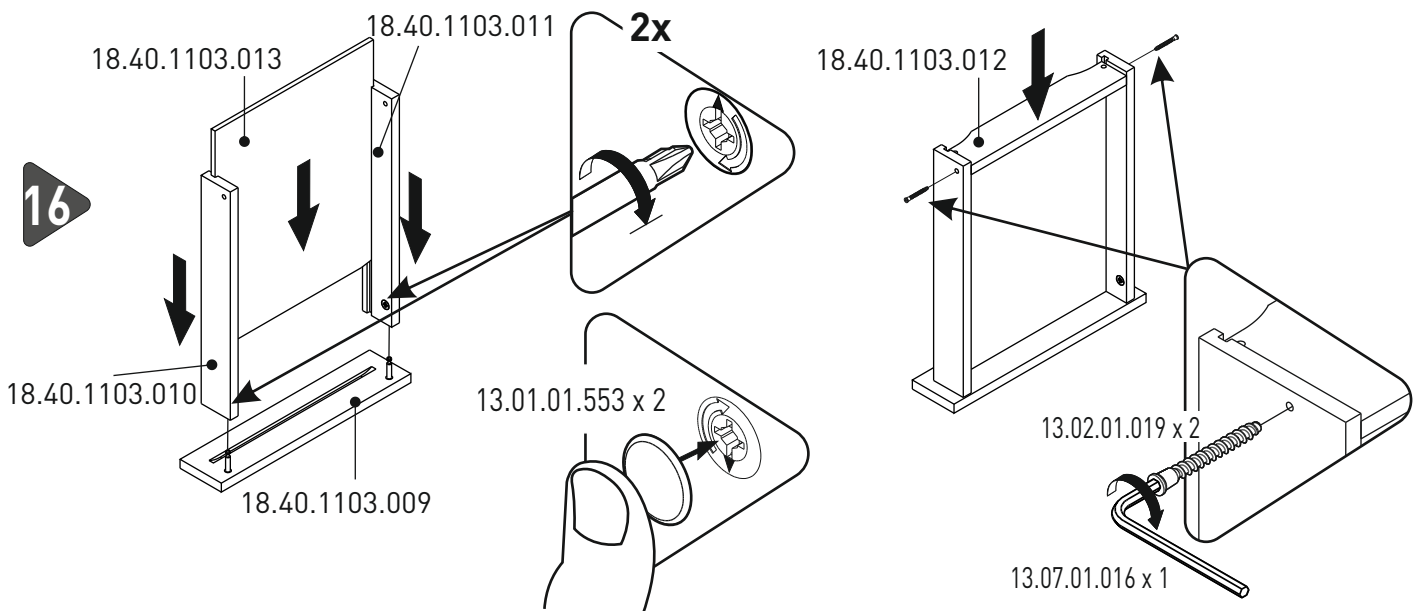
14



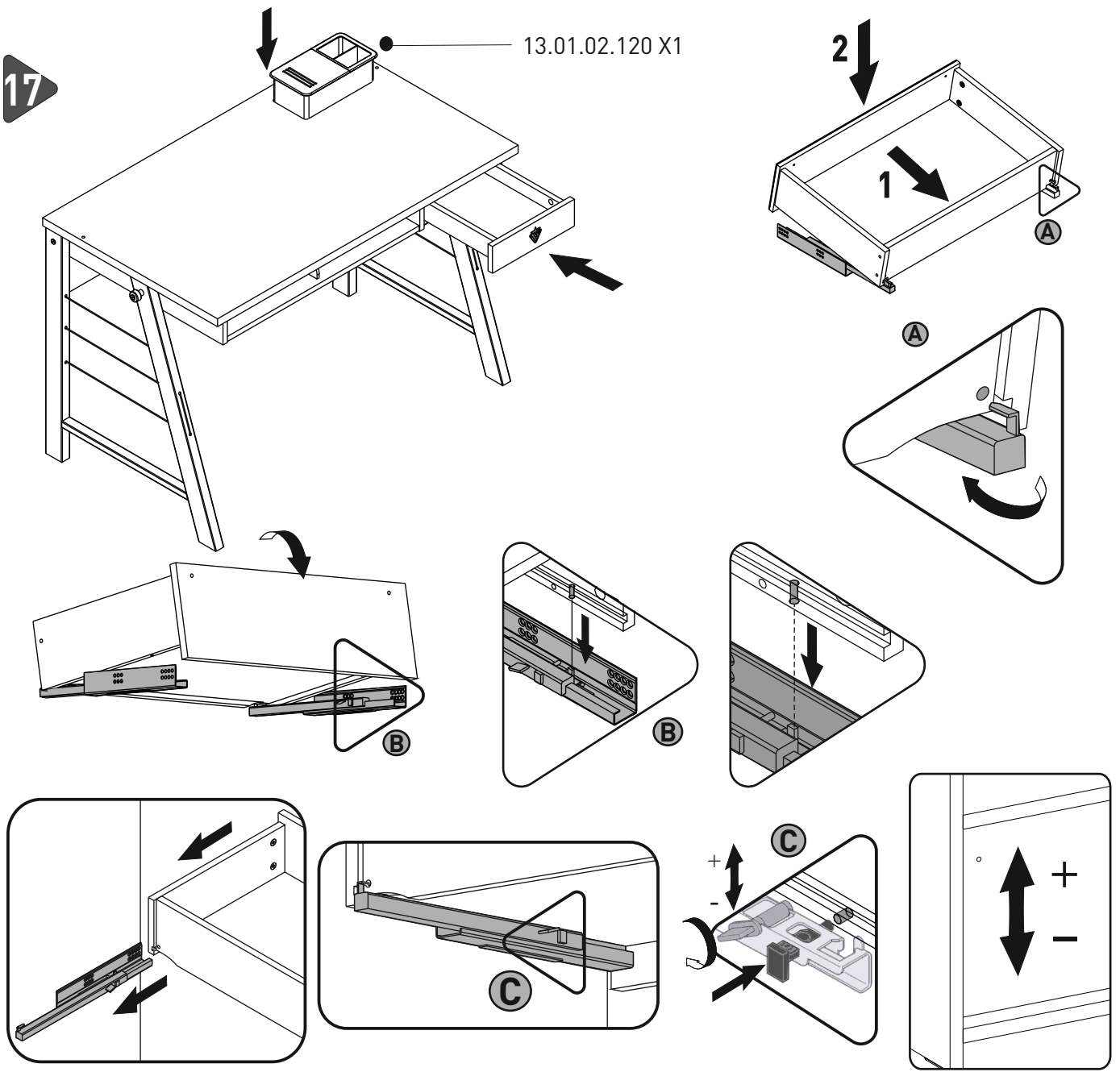
15



16



17



18

