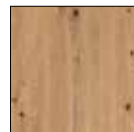




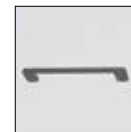
Front/Carcase	Colour code
Artisan oak colour, Applications Metallic grey	AD655



Artisan oak colour



Metallic grey



handles/handle strips Metallic grey



■ Matching extras for sliding door wardrobes can be found under rauch ORANGE ACCESSORIES 1.1 and for hinged door wardrobes under rauch ORANGE ACCESSORIES 1.0.

Supplier: Rauch Möbelwerke GmbH



Quality features

rauch ORANGE



Interior colour
Texline
colour



EASY
SLIDE

Metal guide
rails



Drawers
on silent
ball-bearing
runners



Optional
dampers for
hinged and
sliding doors



For extras, see
rauch ORANGE
Accessories
1.0/1.1

Timeless
look

Attractive
front designs

Durable
product
quality

Excellent
furniture fit-
tings

comprehen-
sive acces-
sories

Quality and material



10
years
warranty

10 years rauch manufacturer's warranty.
Warranty terms and conditions on
rauchmoebel.com/garantie and in information
enclosed with the product.



WOODMAX chipboard

This healthy green-wood chipboard was designed specifically for use in living areas. Our Woodmax chipboard is made only from pollutant-free small-diameter logs and windfall timber from sustainably managed forestry operations in regional woods.

Our natural raw material

Rauch has won various awards for the material used in its boards. Strict tests by impartial institutes consistently confirm that our materials and processes are not harmful to health.



Colour

Furniture with colour finish has an evenly attractive, hard-wearing surface.



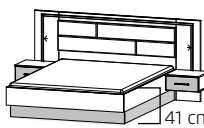
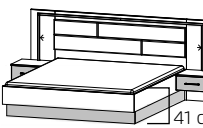
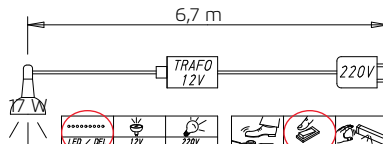

Load-bearing capacity



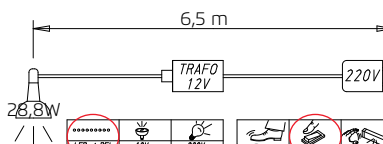
The load limits for all furniture and extras can be found in the load table at:
<https://qrco.de/rauch-belastungstabelle>

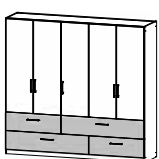
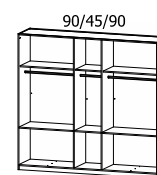
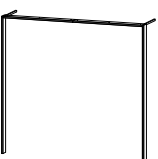

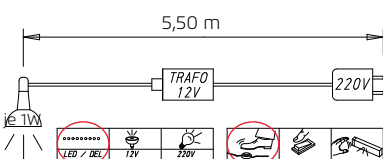
Award-winning and certified



Front/Carcase	Colour code
Artisan oak colour, Applications Metallic grey	AD655

BEDS		Combination consisting of bed and 2 bedside tables. Headboard with basalt faux leather padding.		
				
		41 cm	41 cm	
		bed combination	bed combination	
		headboard padding, with lighting, 2 drawers, hanging bedside table pair with panel	headboard padding, with lighting, 2 drawers, hanging bedside table pair with panel	
		160/200 ↔258 cm †109 cm ↗207 cm BG 60	180/200 ↔278 cm †109 cm ↗207 cm BG 80	
Article	Price	07D8	07D9	
				
				lighting control
				↔3 cm †16 cm ↗2 cm
				9277

MATCHING PIECES				
				
		chest	chest	
		3 drawers, with niche	3 drawers, with lighting, with niche	
		↔93 cm †81 cm ↗42 cm	↔93 cm †81 cm ↗42 cm	
Article	Price	61C9	0608	

WARDROBES		Hinged door wardrobes		
				
				
		hinged door wardrobe	passepartout	passepartout
		5-door, 4 drawers		with lighting
		↔226 cm †210 cm ↗54 cm	↔230 cm †212 cm ↗58 cm	↔230 cm †212 cm ↗58 cm
Article	Price	41N4	0K0E	0K0S
				
				This product contains a light source of the energy efficiency class G.

BILBAO-EXTRA

rauch ORANGE

Purchase Pricelist
Prices = invoice prices in Euro

13.02.2023 SB_JW
Valid from 01.04.2023 until revoked



Front/Carcase	Colour code
Artisan oak colour, Applications Metallic grey	AD655

WARDROBES		Sliding door wardrobes				
<p>See rauch ORANGE ACCESSORIES 1.1 for extras for sliding door wardrobes.</p>				<p>90/90</p>		
				sliding door wardrobe	sliding door wardrobe	sliding door wardrobe
				2-door	2-door	3-door
				↔181 cm †210 cm ↗62 cm	↔226 cm †210 cm ↗62 cm	↔271 cm †210 cm ↗62 cm
Article	Price	41N1	41N2	41P1		

WARDROBES		Passepartouts for sliding door wardrobes.					
					passepartout	passepartout	passepartout
						for sliding wardrobe 225 cm	for sliding wardrobe 270 cm
					↔189 cm †214 cm ↗23 cm	↔233 cm †214 cm ↗23 cm	↔278 cm †214 cm ↗23 cm
Article	Price	9P2P	9P3P	9P4P			

WARDROBES		Passepartouts with lighting, for sliding door wardrobes.					
					passepartout	passepartout	passepartout
					with lighting	with lighting, for sliding wardrobe 225 cm	with lighting, for sliding wardrobe 270 cm
					↔189 cm †214 cm ↗23 cm	↔233 cm †214 cm ↗23 cm	↔278 cm †214 cm ↗23 cm
Article	Price	9P2L	9P3L	9P4L			

This product contains a light source of the energy efficiency class G.