



Front/Carcase	Colour code	
	Alpine white applications/White glass	Metallic grey applications/Basalt glass
Stirling oak colour	A5P35	A5P18
Sanremo oak light colour	A4M46	A4M26

Alpine white

Sanremo oak light colour

Stirling oak colour

Metallic grey

White glass

Basalt glass

Handles/handle strips in carcass colour

Now with
RAL
GÜTEZEICHEN
Möbel
- Quality!

■ See rauch ORANGE accessories 1.0/1.1 for robe accessories.

Supplier: Rauch Möbelwerke GmbH

Quality features

rauch ORANGE



Interior colour
Texline
colour



EASY
SLIDE

Metal guide
rails



Drawers
on silent
ball-bearing
runners



Optional
dampers for
hinged and
sliding doors



For extras, see
rauch ORANGE
Accessories
1.0/1.1

Timeless
look

Attractive
front designs

Durable
product
quality

Excellent
furniture fit-
tings

comprehen-
sive acces-
sories

Quality and material



10
years
warranty

10 years rauch manufacturer's warranty.
Warranty terms and conditions on
rauchmoebel.com/garantie and in information
enclosed with the product.



WOODMAX chipboard

This healthy green-wood chipboard was designed specifically for use in living areas. Our Woodmax chipboard is made only from pollutant-free small-diameter logs and windfall timber from sustainably managed forestry operations in regional woods.

Our natural raw material

Rauch has won various awards for the material used in its boards. Strict tests by impartial institutes consistently confirm that our materials and processes are not harmful to health.



Colour

Furniture with colour finish has an evenly attractive, hard-wearing surface.



Load-bearing capacity

The load limits for all furniture and extras can be found in the load table at:
<https://qrco.de/rauch-belastungstabelle>

Award-winning and certified



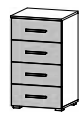



Front/Carcase	Colour code	
		Alpine white applications/White faux leather
Stirling oak colour	A5P35	A5P18
Sanremo oak light colour	A4M46	A4M26

BEDS		Combination consisting of bed and 2 panel-mounted bedside tables. Headboard with padded panel. Foot section with padded bench with hinged lid.			
<ul style="list-style-type: none"> Bed side height = 41 cm Slatted frame can be adjusted to 3 different heights Inlet depths Upper edge of bed side to support height: - 8,0 cm - 9,6 cm - 11,2 cm 			<p>This product contains a light source of the energy efficiency class E. EPREL 766774</p>		
				bed combination	set of 2 LED lights
				headboard padding	
				180/200 ↔285 cm †93 cm ↗246 cm BG 81	↔1 cm †1 cm ↗105 cm
Article	Price	OX6F	9T66		


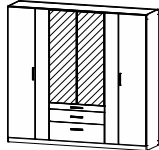
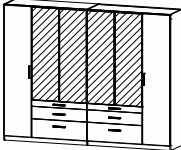

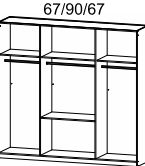

BEDS		Combination consisting of bed and 2 panel-mounted bedside tables with lighting. Headboard with padded panel. Foot section with padded bench with hinged lid.			
<ul style="list-style-type: none"> Bed side height = 41 cm Slatted frame can be adjusted to 3 different heights Inlet depths Upper edge of bed side to support height: - 8,0 cm - 9,6 cm - 11,2 cm 			<p>This product contains a light source of the energy efficiency class E. EPREL 766774</p>		
				bed combination	headboard padding, with lighting
				180/200 ↔285 cm †93 cm ↗246 cm BG 81	
				Article	Price

BEDS		Extras for beds		
				bedding box on rollers
				↔59 cm †16 cm ↗108 cm
Article	Price	9901		

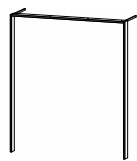
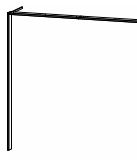
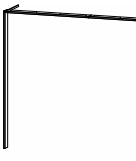
Front/Carcase	Colour code	
	Alpine white applications	Metallic grey applications
Stirling oak colour	A5P35	A5P18
Sanremo oak light colour	A4M46	A4M26


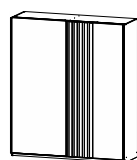
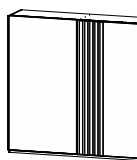
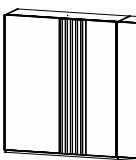
MATCHING PIECES					
					
	chest 4 drawers ↔47 cm †81 cm ↗42 cm	chest 2-door ↔93 cm †81 cm ↗42 cm	chest 5 drawers ↔93 cm †81 cm ↗42 cm	chest 1-door, hinged right, 4 drawers ↔93 cm †81 cm ↗42 cm	
Article	Price	637F	639F	639C	66T4


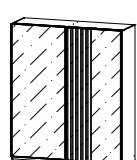
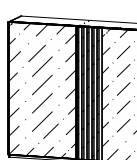
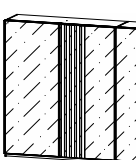
MATCHING PIECES				
				
	chest 2-door, 4 drawers ↔140 cm †81 cm ↗42 cm			
Article	Price	674B		

WARDROBES				
See rauch ORANGE ACCESSORIES 1.0 for robe accessories.				
				
	hinged door wardrobe 4-door, 2 mirror doors, 3 drawers ↔181 cm †210 cm ↗54 cm	hinged door wardrobe 6-door, 2 mirror doors, 3 drawers ↔226 cm †210 cm ↗54 cm	hinged door wardrobe 6-door, 4 mirror doors, 6 drawers ↔271 cm †210 cm ↗54 cm	
	Article	Price	0V50	0V58

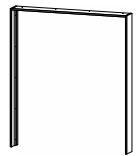


Front/Carcase	Colour code	
		Alpine white applications/White glass
Stirling oak colour	A5P35	A5P18
Sanremo oak light colour	A4M46	A4M26

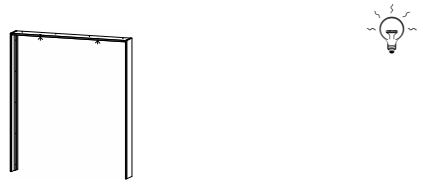
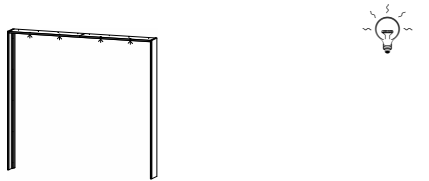
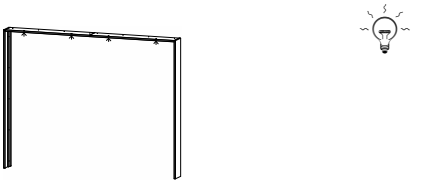
WARDROBES		Passepartouts for hinged door wardrobes.		
				
				passepartout
				↔185 cm †212 cm ↗58 cm
Article	Price	OK0D	OK0E	OK0F

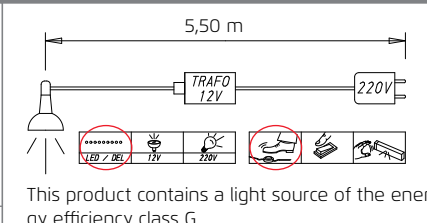
WARDROBES		Sliding door wardrobes. Front in contrast colour, trims in carcase colour.			*NOTE! Design constraints necessitate a shelf thickness of 2.2 cm on unit widths of 112.5 cm.
See rauch ORANGE ACCESSORIES 1.1 for robe accessories. 					
	sliding door wardrobe 2-door	sliding door wardrobe 2-door	sliding door wardrobe 3-door		
	↔181 cm †210 cm ↗62 cm	↔226 cm †210 cm ↗62 cm	↔271 cm †210 cm ↗62 cm		
Article	Price	44E1	44E2	44E3	

WARDROBES		Sliding door wardrobes. Glass overlay front, trims in carcase colour.			*NOTE! Design constraints necessitate a shelf thickness of 2.2 cm on unit widths of 112.5 cm.
See rauch ORANGE ACCESSORIES 1.1 for robe accessories. 					
	sliding door wardrobe 2-door, 2 glass doors	sliding door wardrobe 2-door, 2 glass doors	sliding door wardrobe 3-door, 3 glass doors		
	↔181 cm †210 cm ↗62 cm	↔226 cm †210 cm ↗62 cm	↔271 cm †210 cm ↗62 cm		
Article	Price	5G37	5G38	5G39	

Front/Carcase	Colour code	
	White glass overlay applications	Basalt glass overlay applications
Stirling oak colour	A5P35	A5P18
Sanremo oak light colour	A4M46	A4M26

WARDROBES		Passepartouts for sliding door wardrobes.		
Article	Price			
		passepartout	passepartout	passepartout
			for sliding wardrobe 225 cm	for sliding wardrobe 270 cm
		↔189 cm †214 cm ↗23 cm	↔233 cm †214 cm ↗23 cm	↔278 cm †214 cm ↗23 cm
		9P2P	9P3P	9P4P

WARDROBES		Passepartouts with lighting, for sliding door wardrobes.		
Article	Price			
		passepartout with lighting	passepartout with lighting, for sliding wardrobe 225 cm	passepartout with lighting, for sliding wardrobe 270 cm
		↔189 cm †214 cm ↗23 cm	↔233 cm †214 cm ↗23 cm	↔278 cm †214 cm ↗23 cm
			9P2L	9P3L



This product contains a light source of the energy efficiency class G.