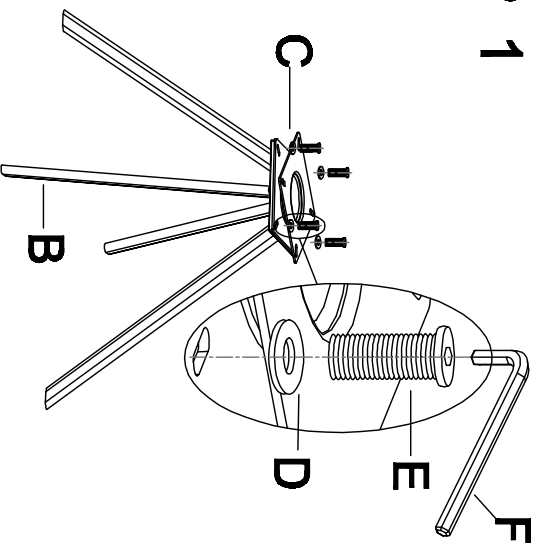
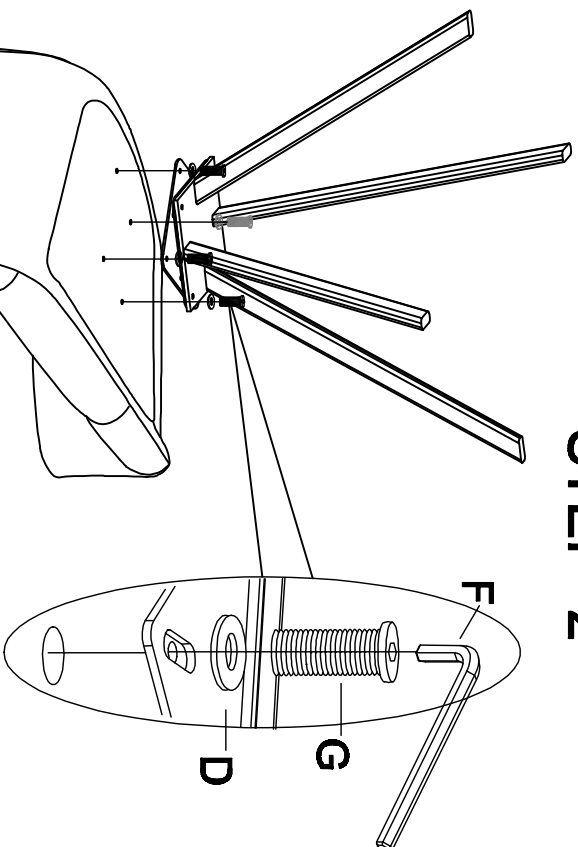


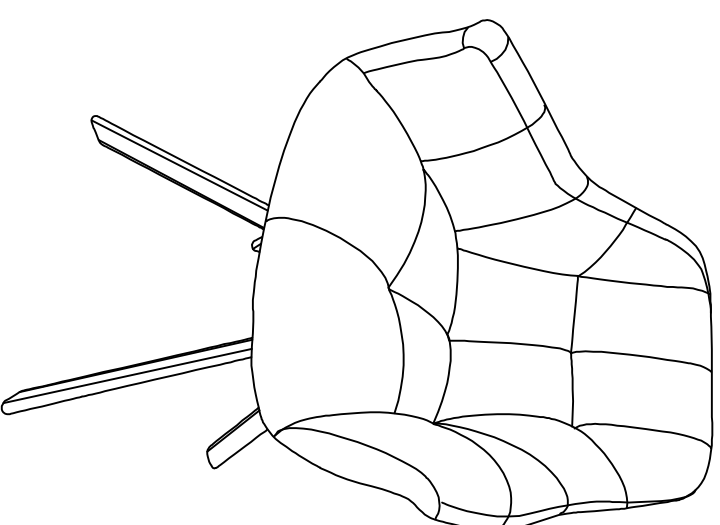
STEP 1



STEP 2



A			1
B			1
C			1
D			8
E		M6*10	4
F			1
G		M6*16	4



ROMEO