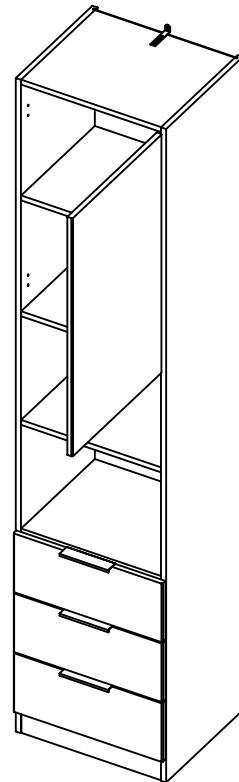
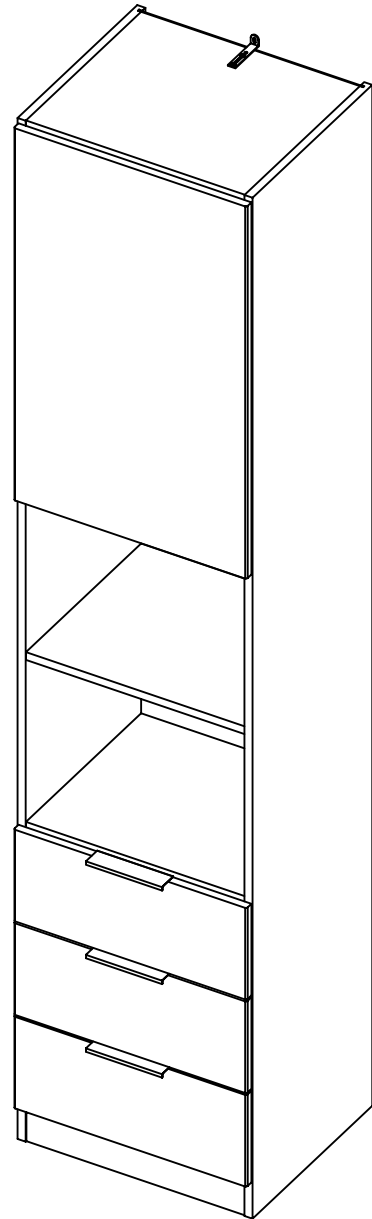
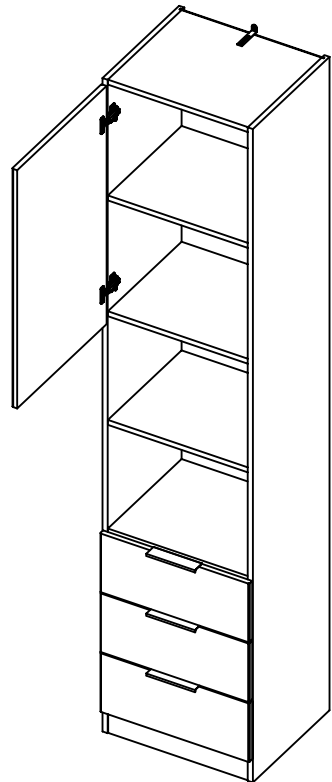
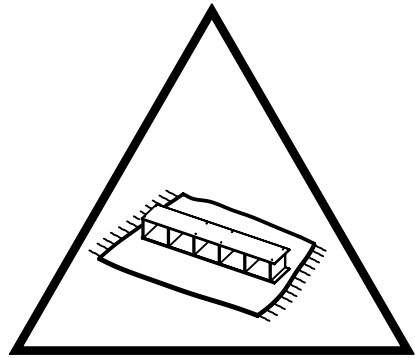
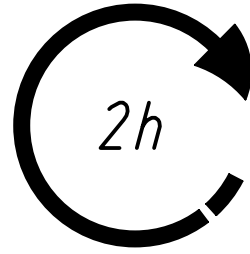
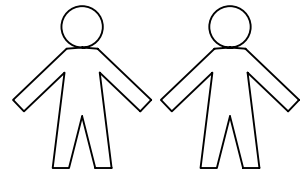
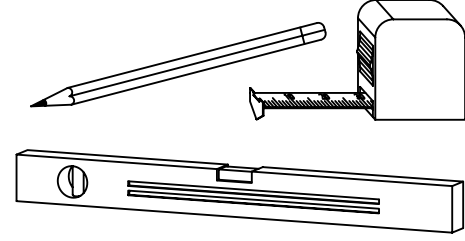
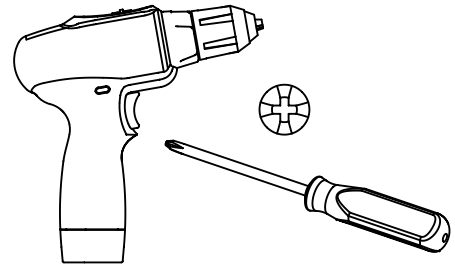


1.

M2534_02

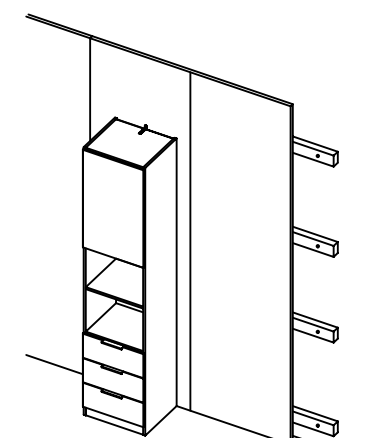
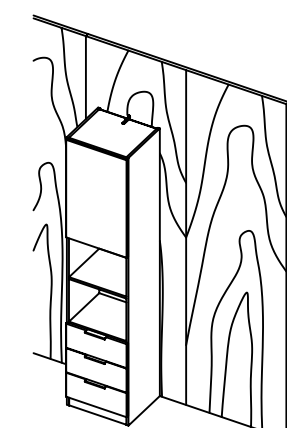
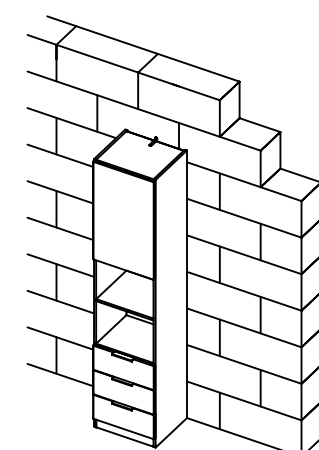
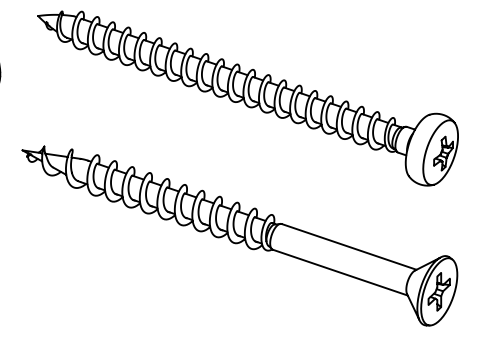
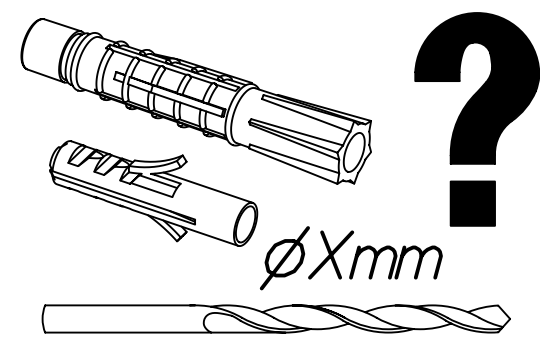
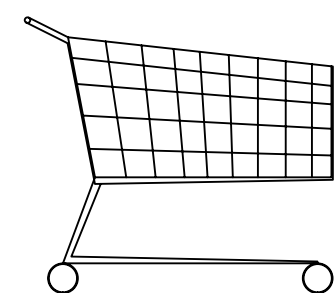
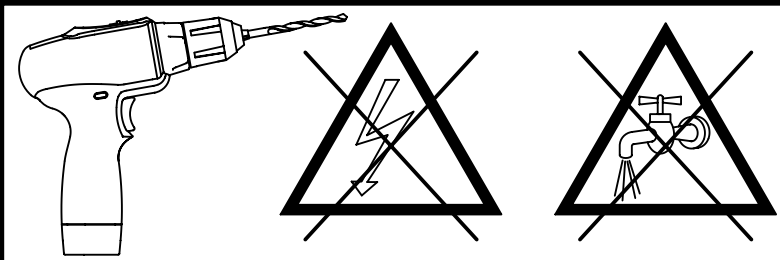
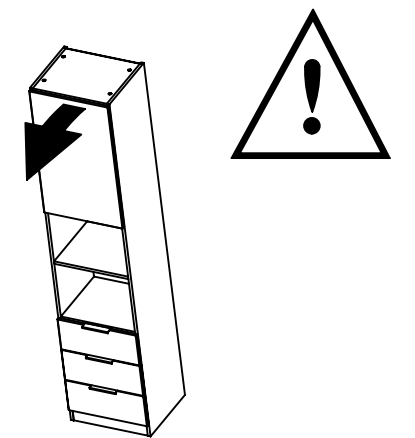
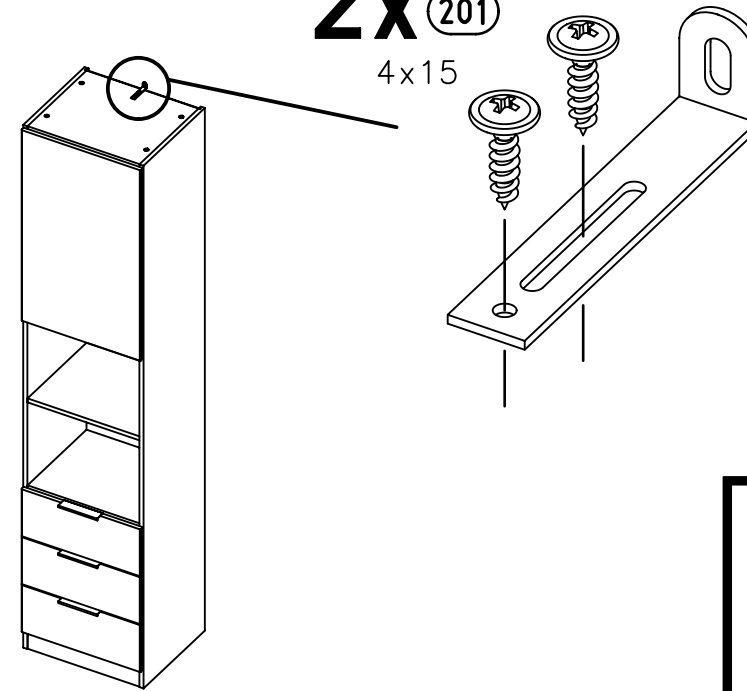
rauch



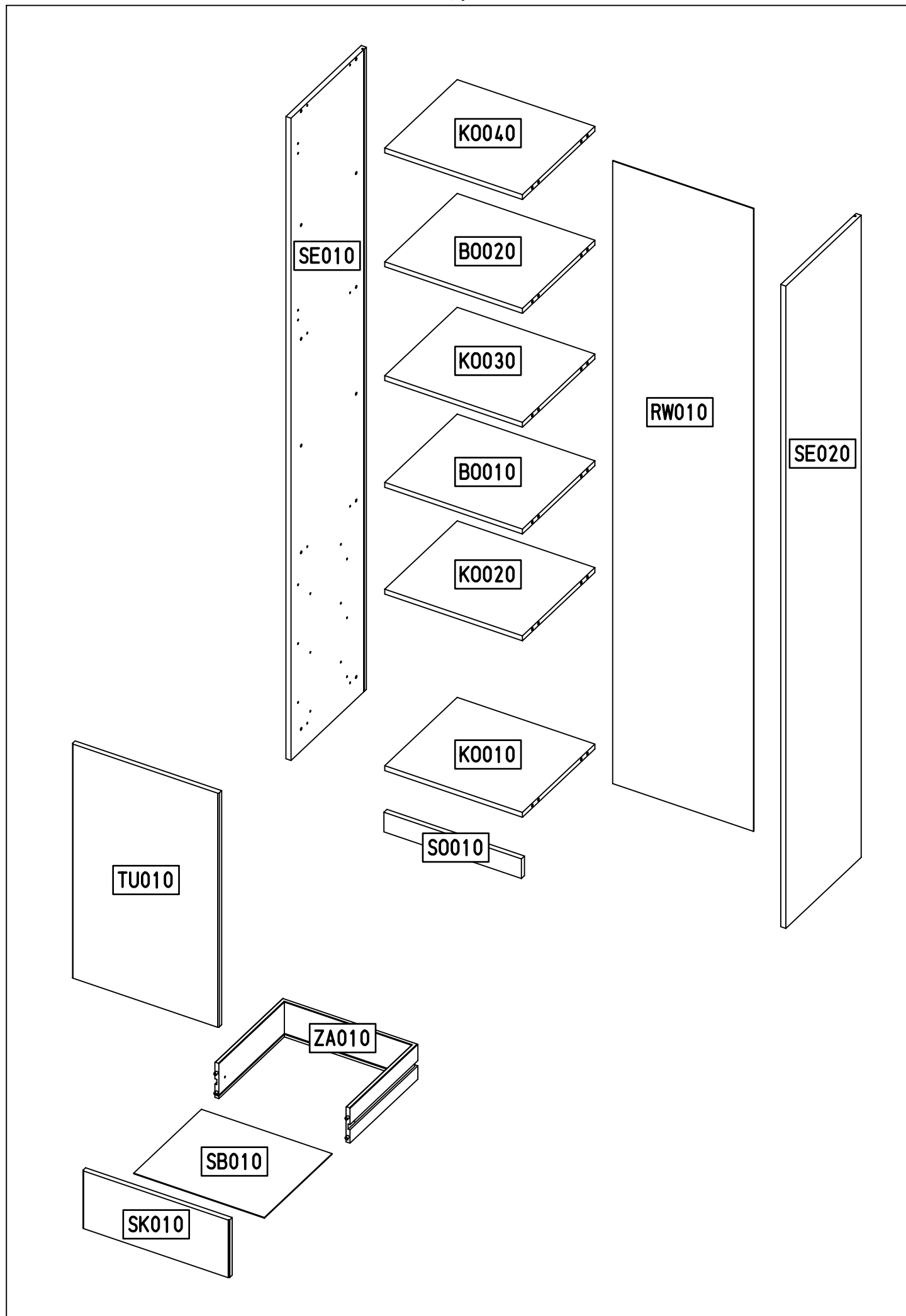
2.

2x (201)
4x15

1x (68)
77x15x22

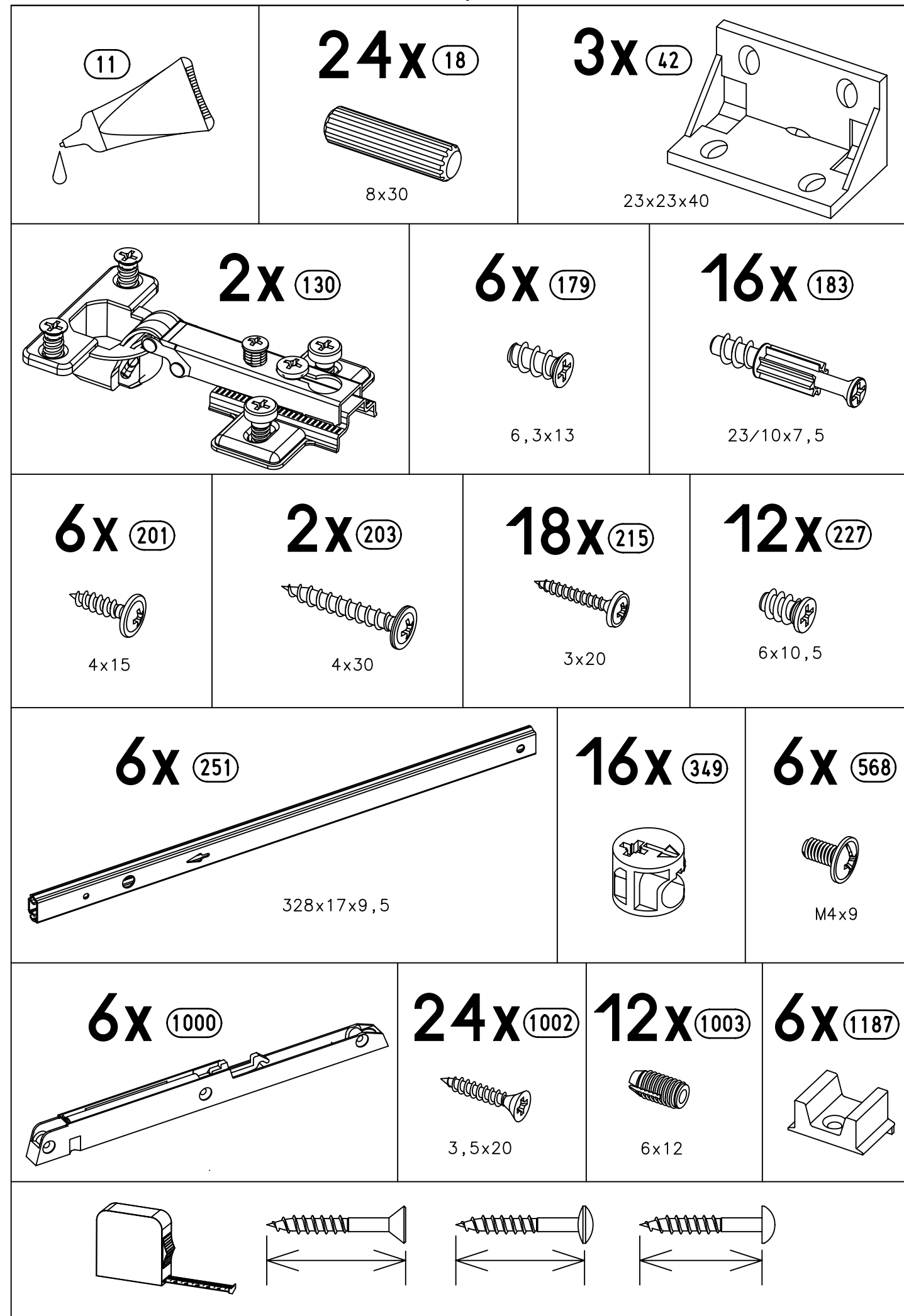


3.



M2534

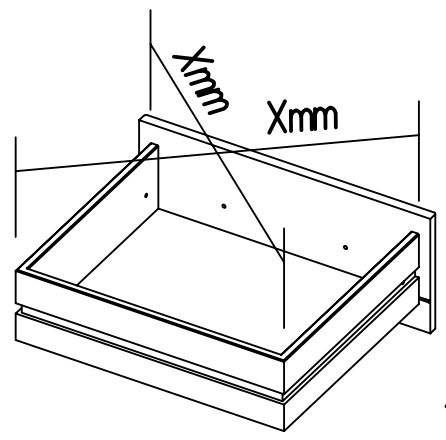
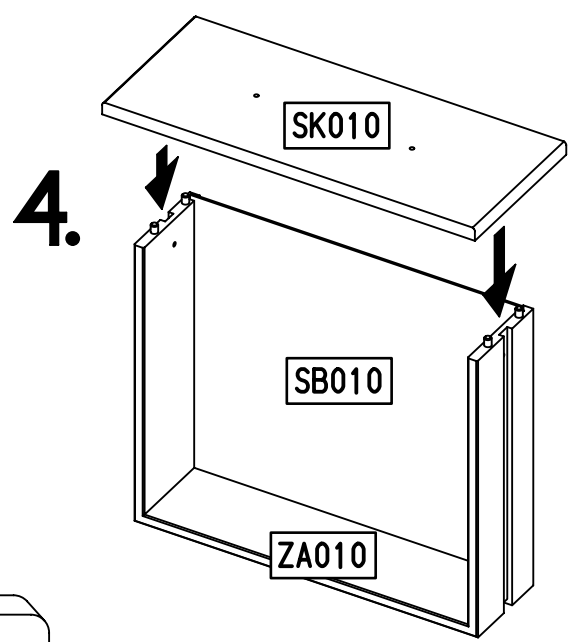
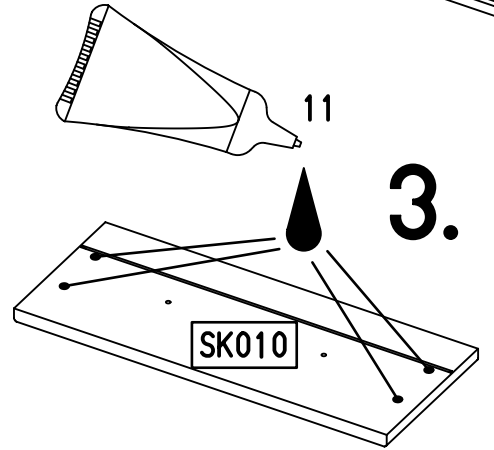
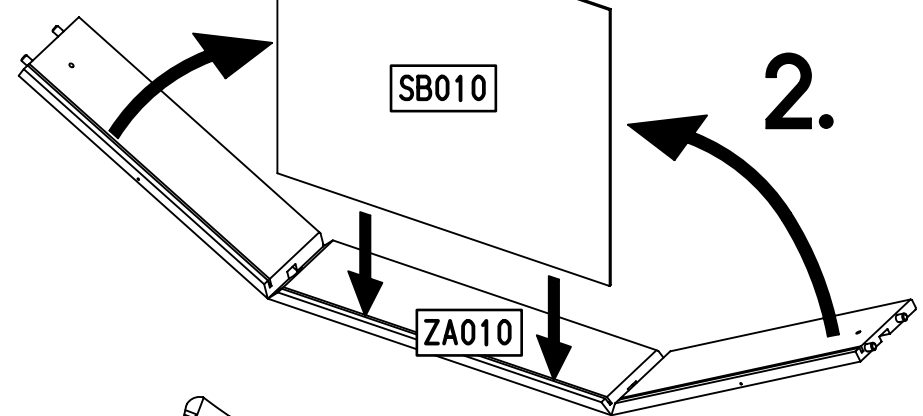
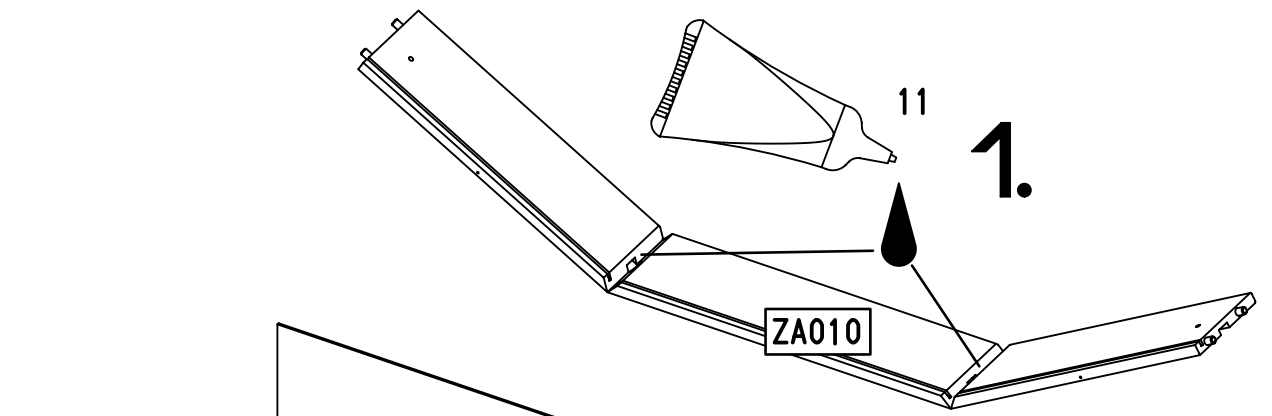
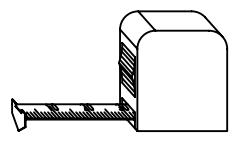
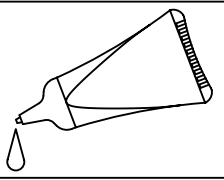
4.



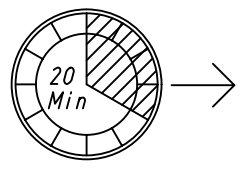
M2534

1

11



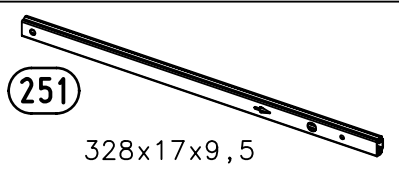
Xmm = Xmm



2

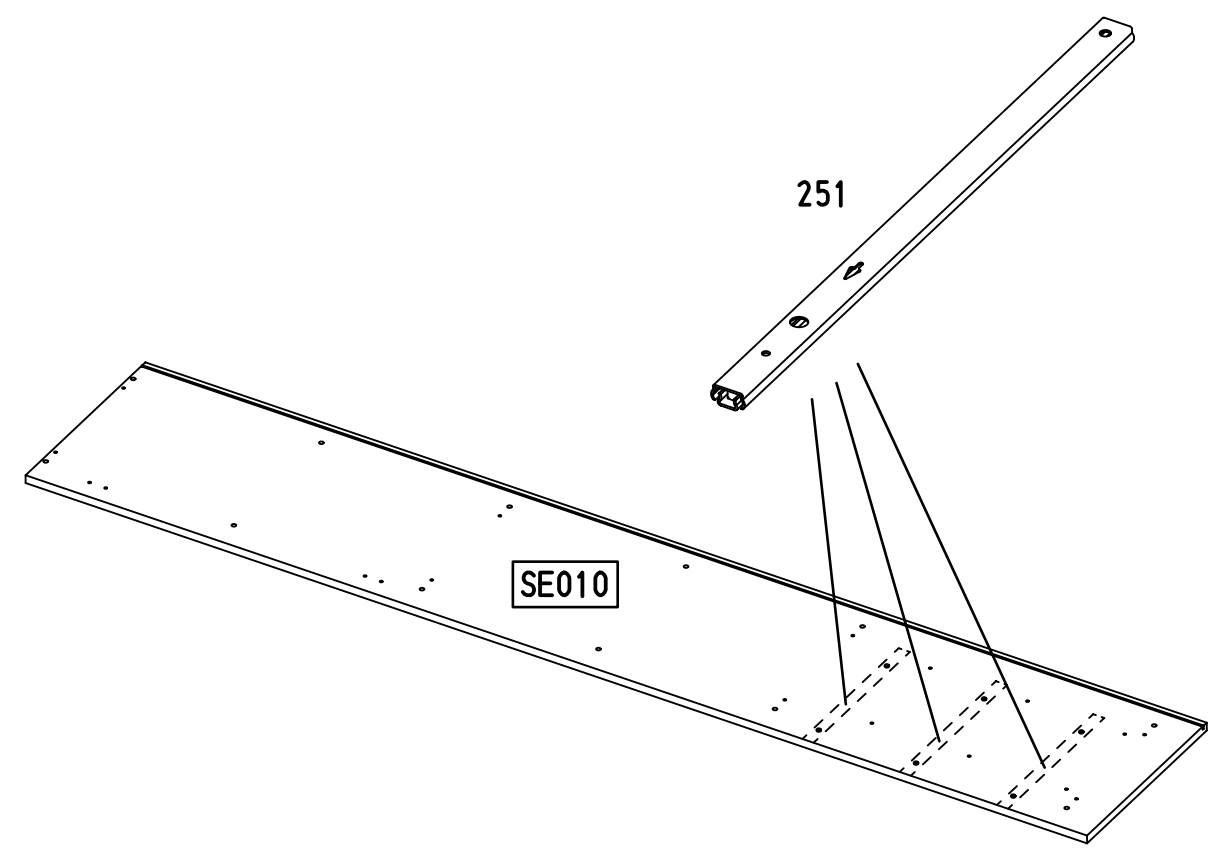
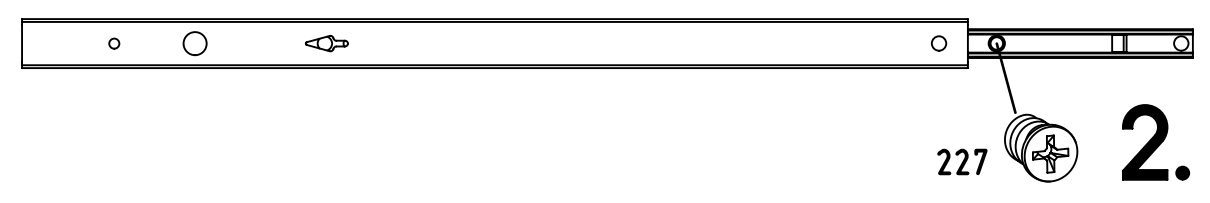
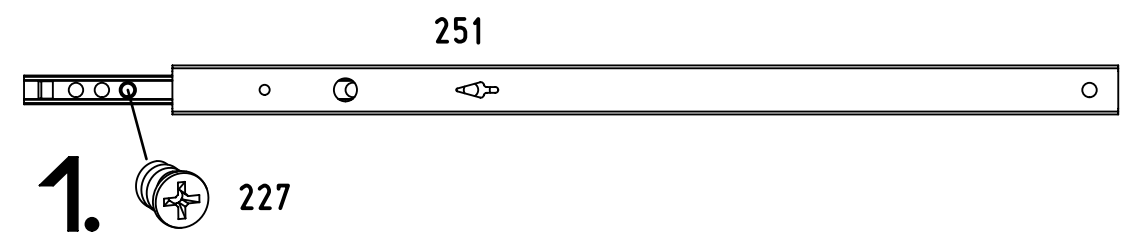
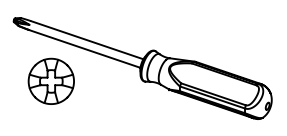
3x 251

328x17x9,5



6x 227

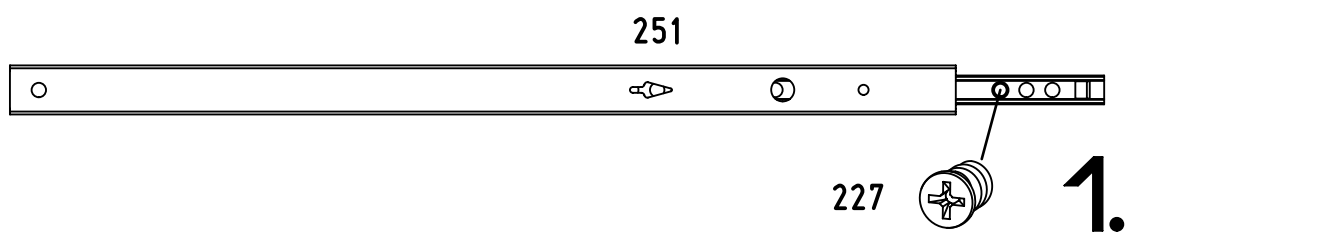
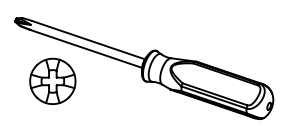
6x10,5



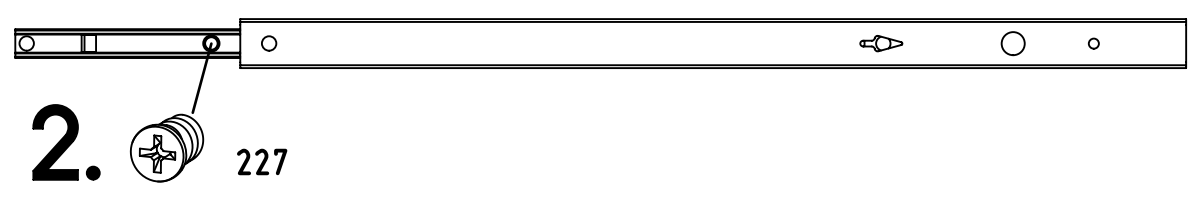
3

3x (251)
328x17x9,5

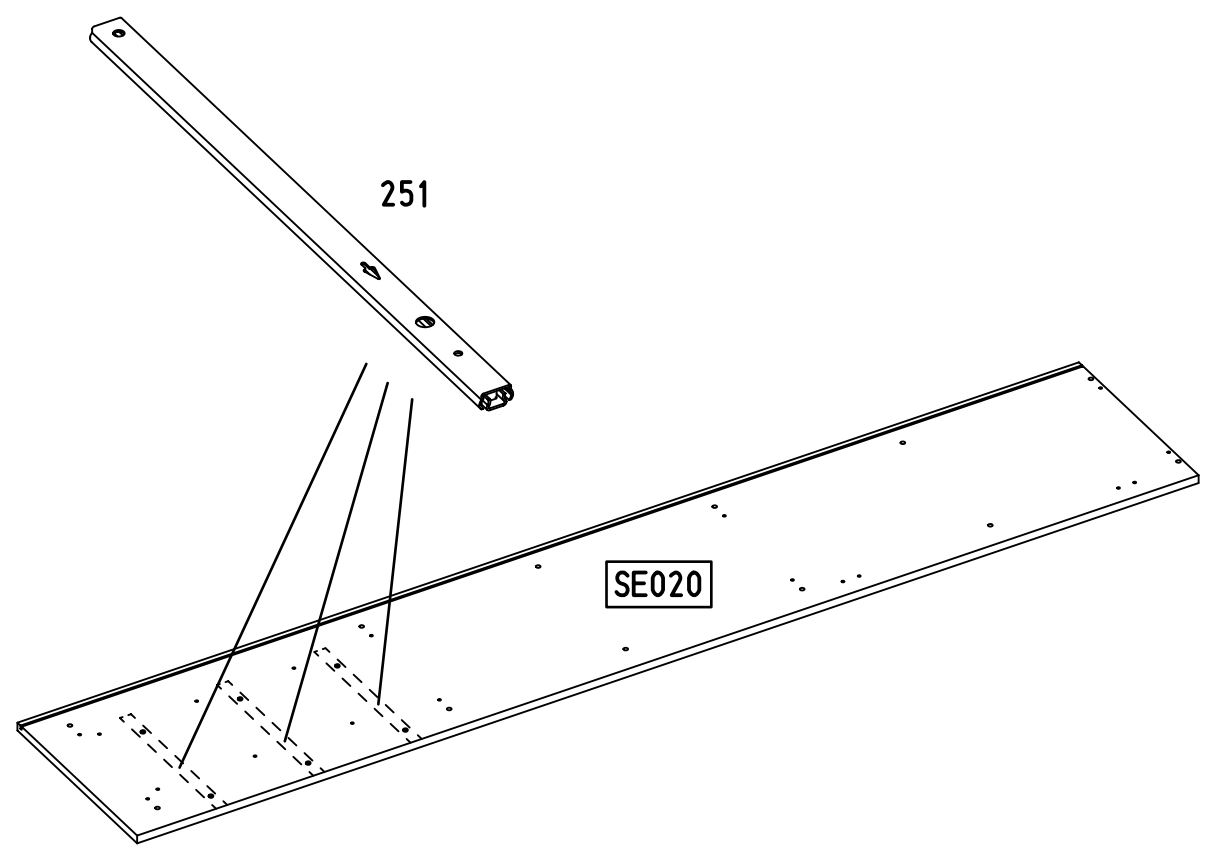
6x (227)
6x10,5



1.

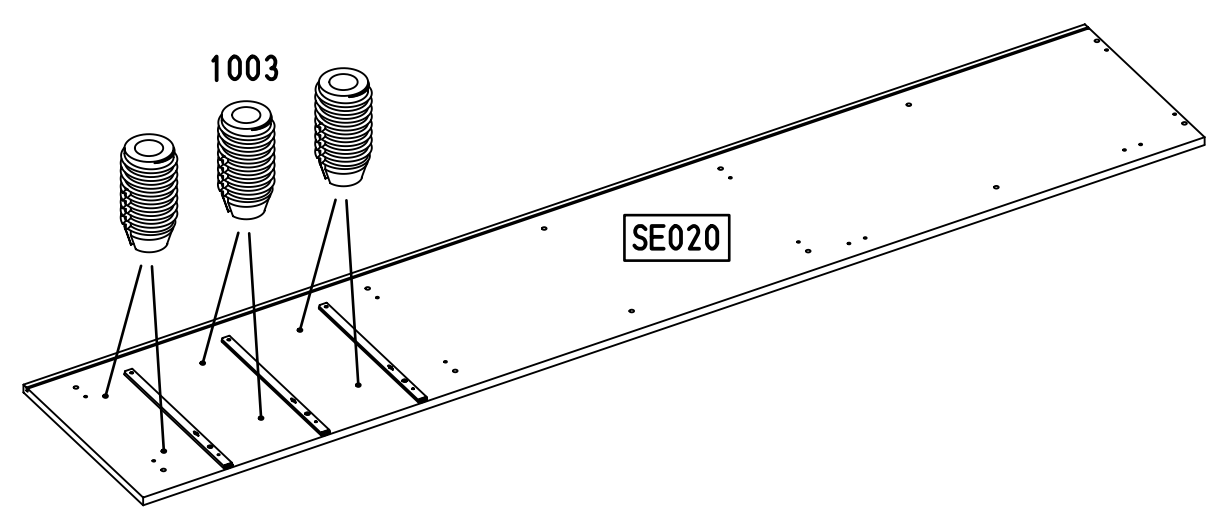
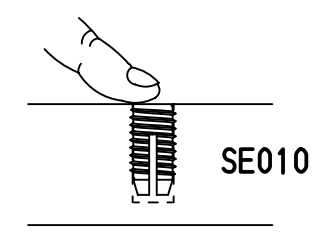
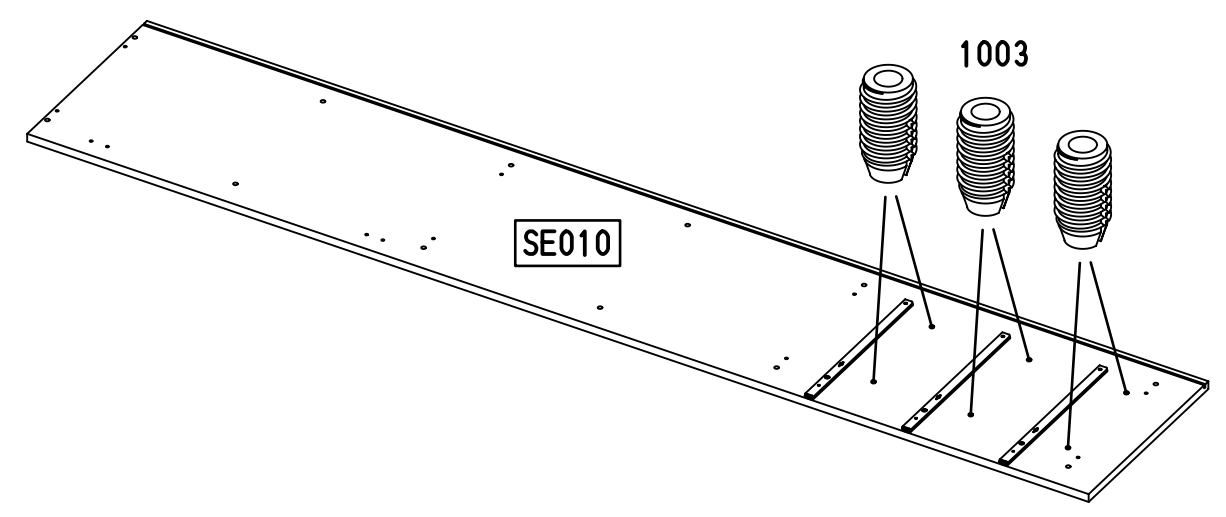
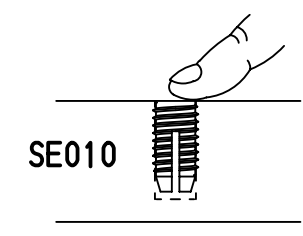
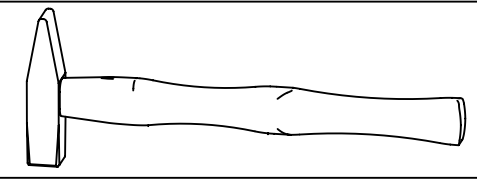


2.



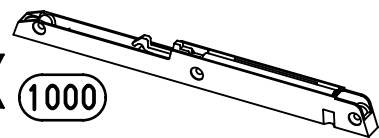
4

12x (1003)
6x12

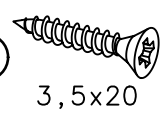


5

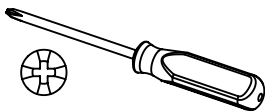
6x 1000



18x 1002

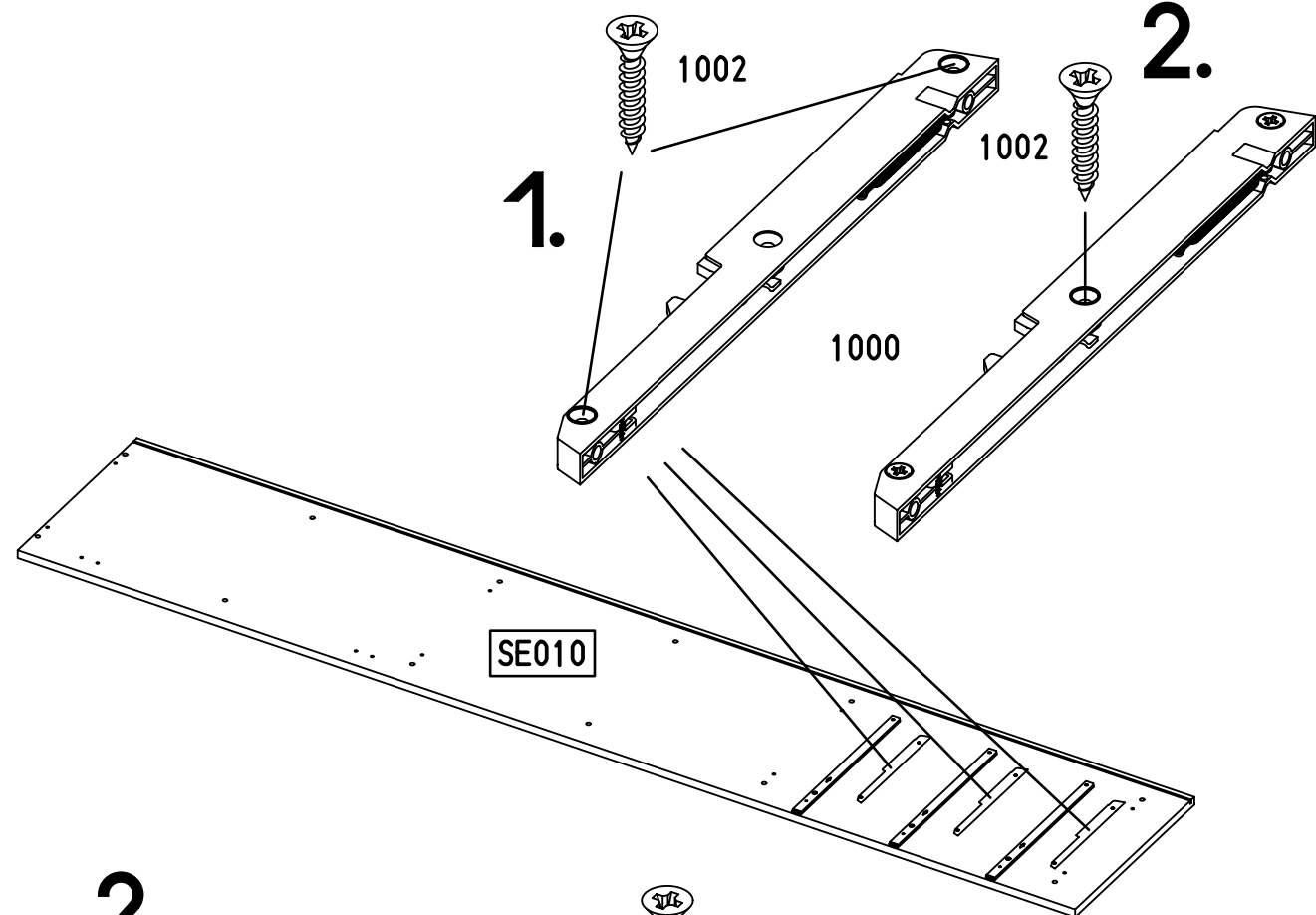


3,5x20



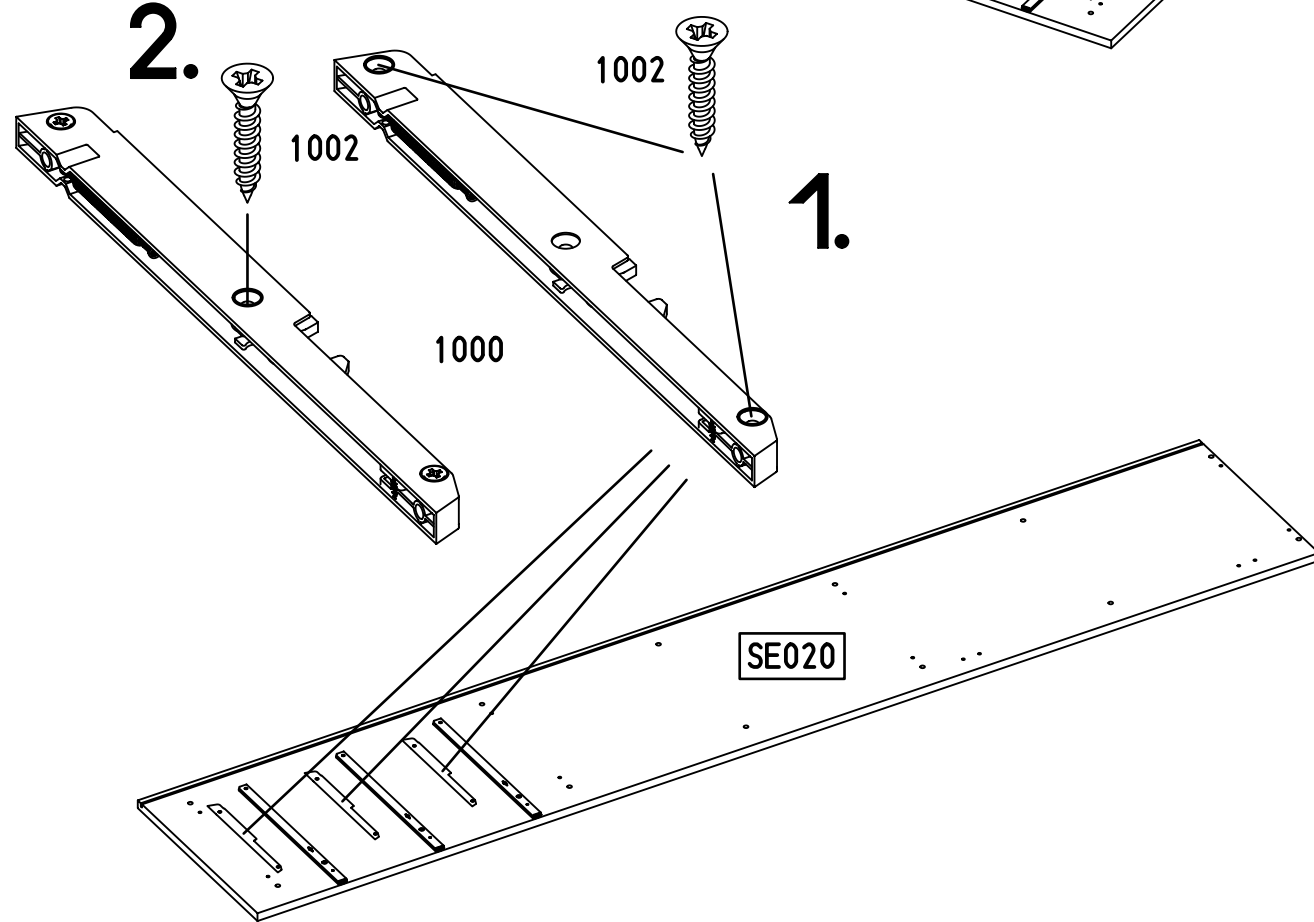
2.

1.



SE010

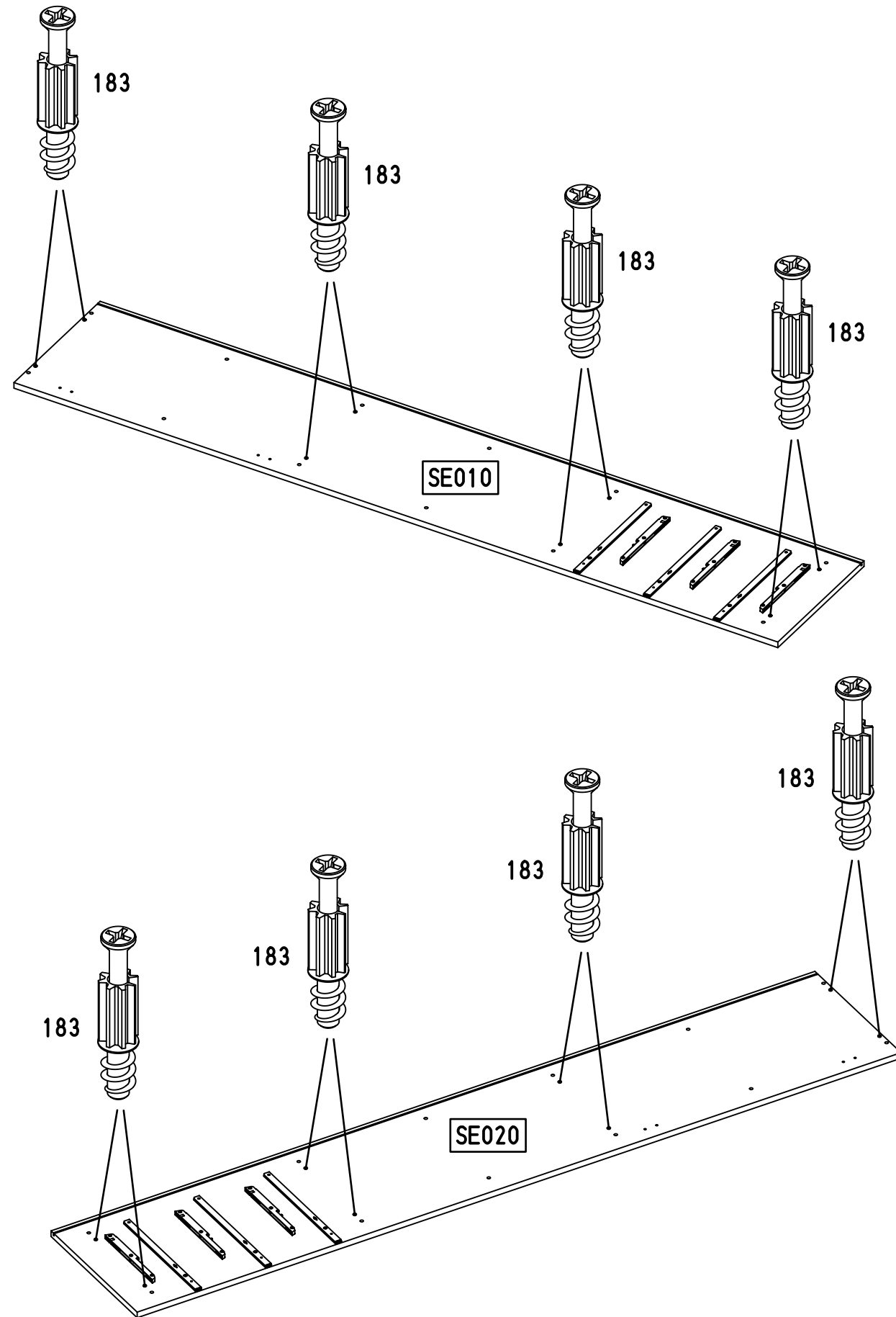
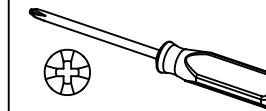
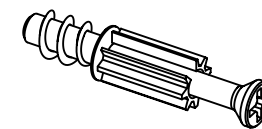
2.



SE020

6

16x 183

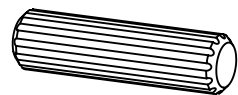


SE010

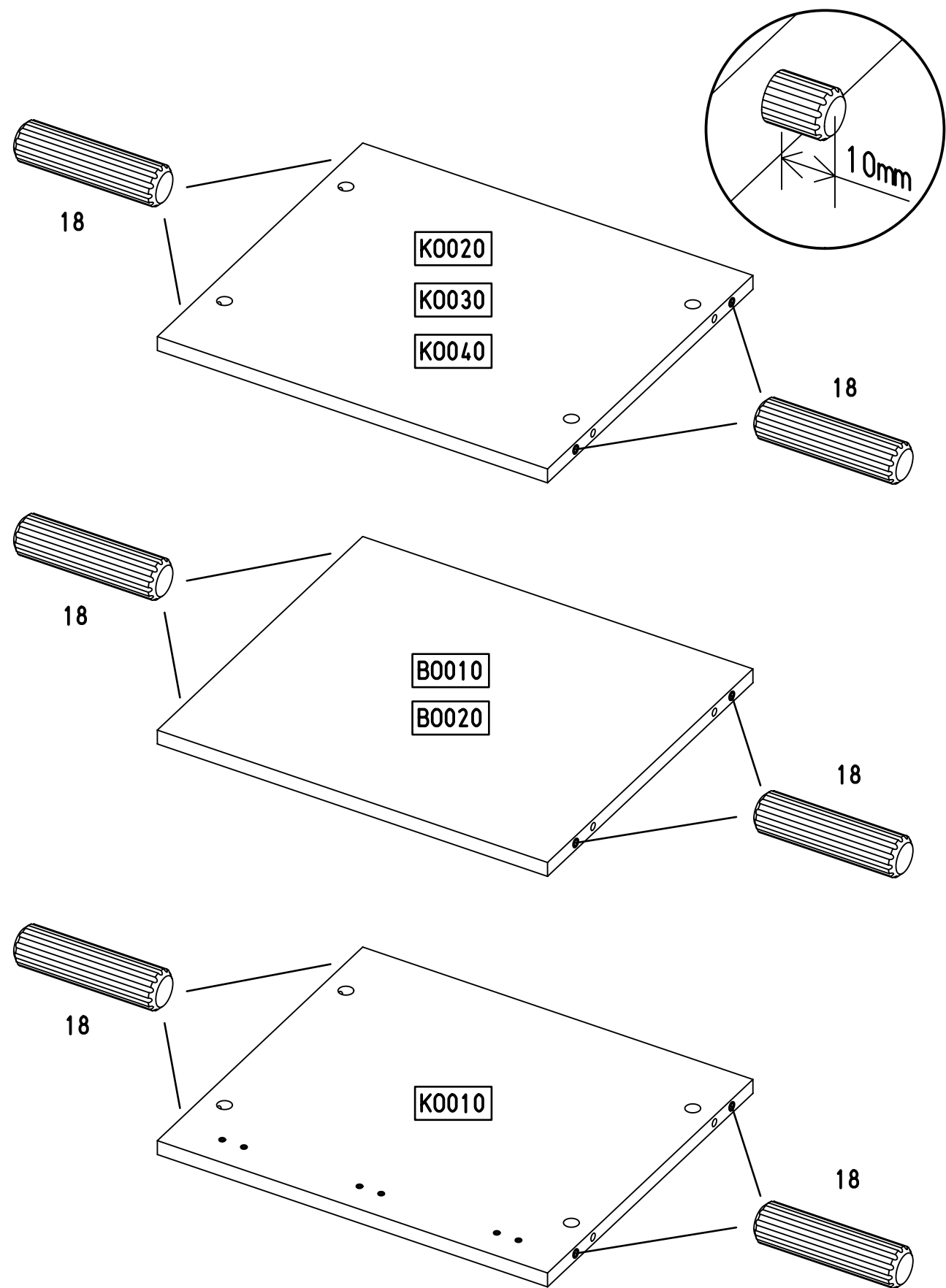
SE020

7

24x 18

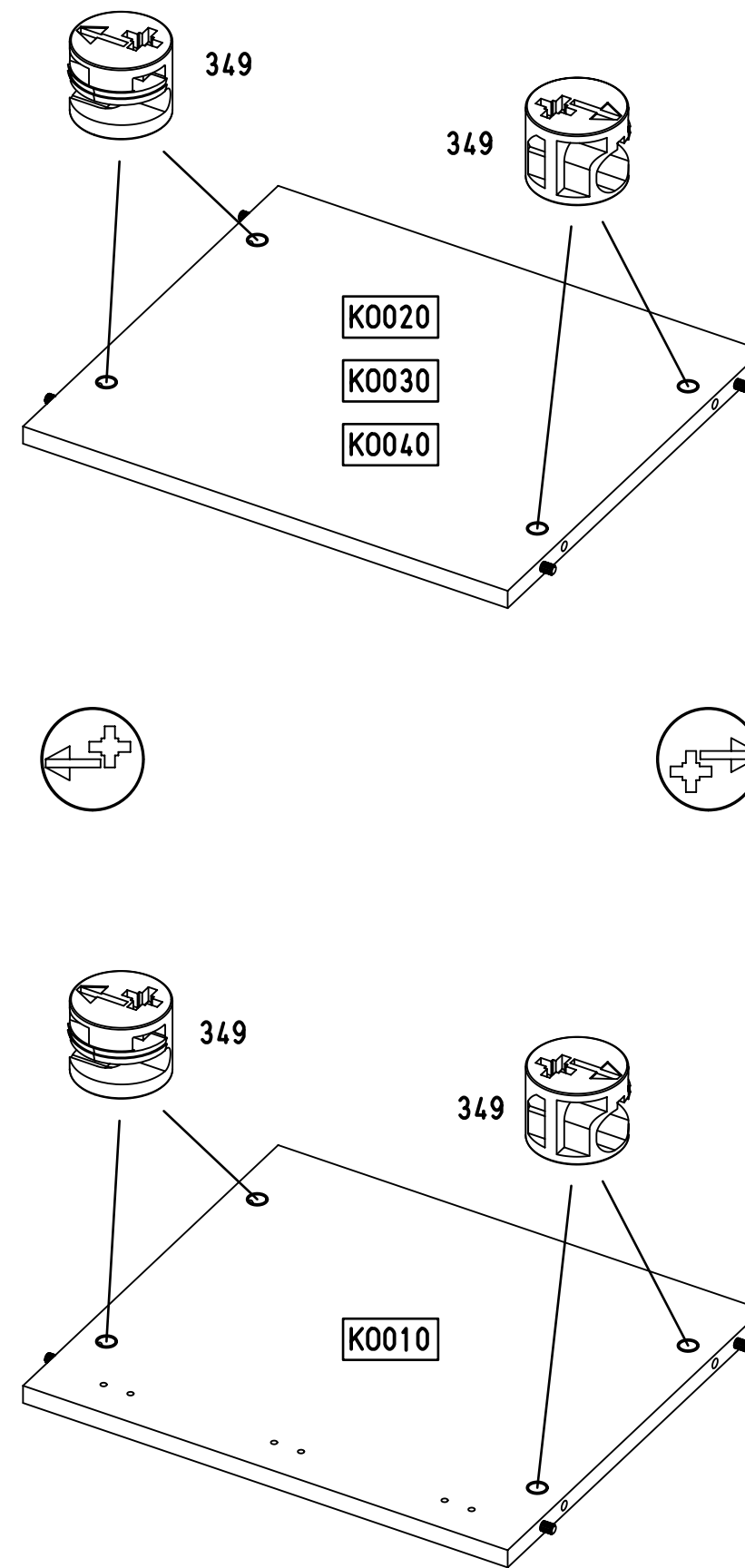
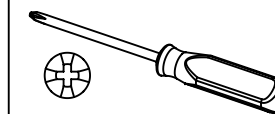
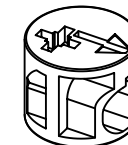


8x30

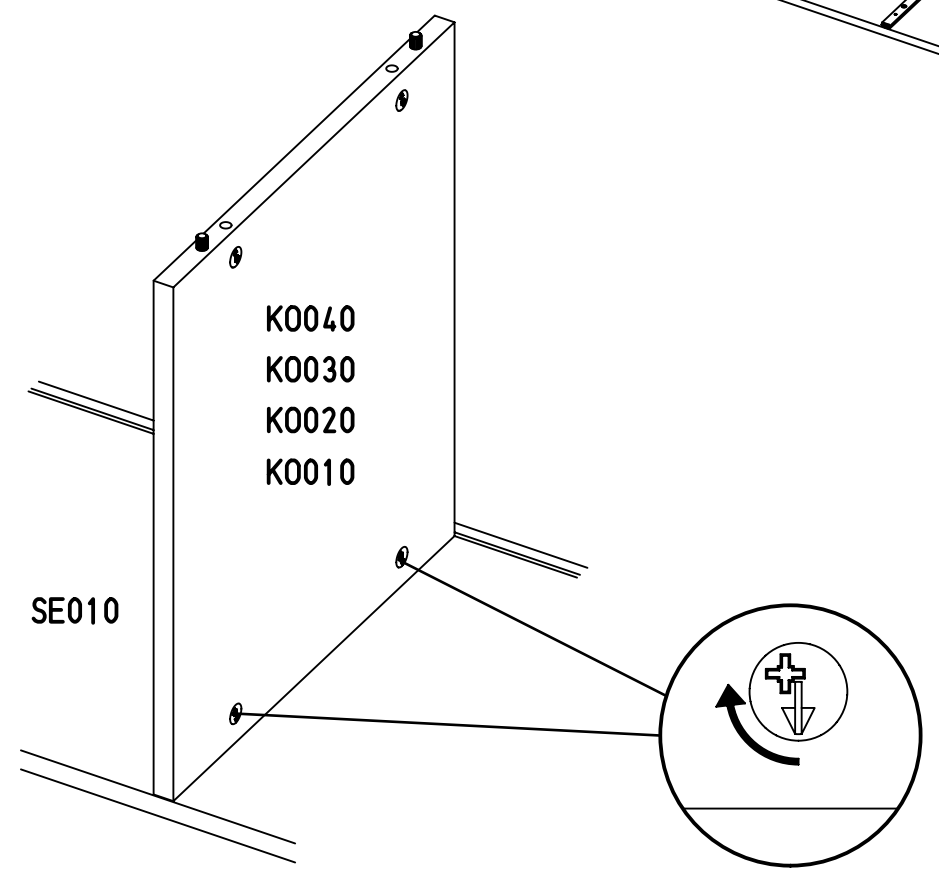
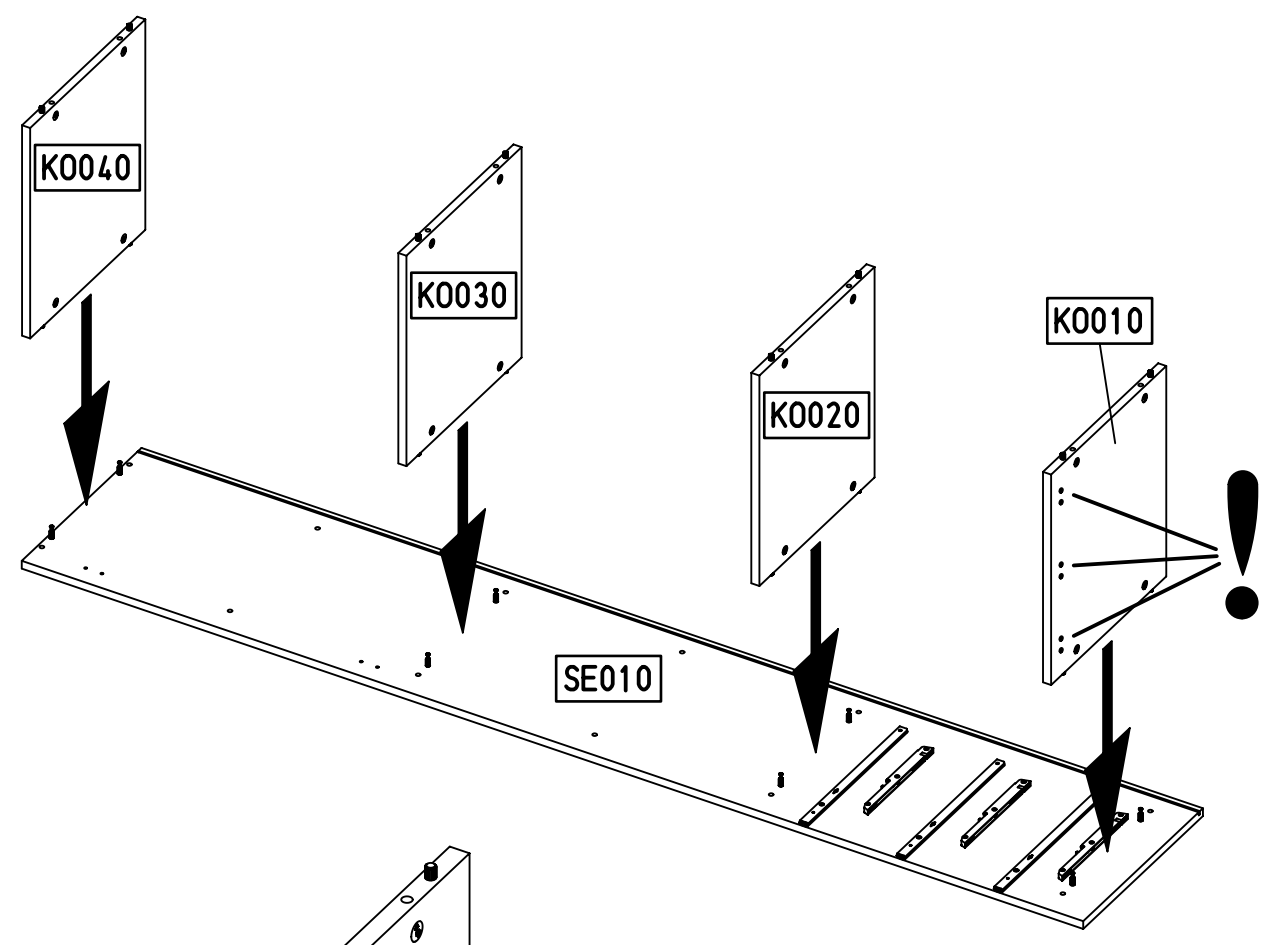
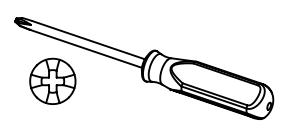


8

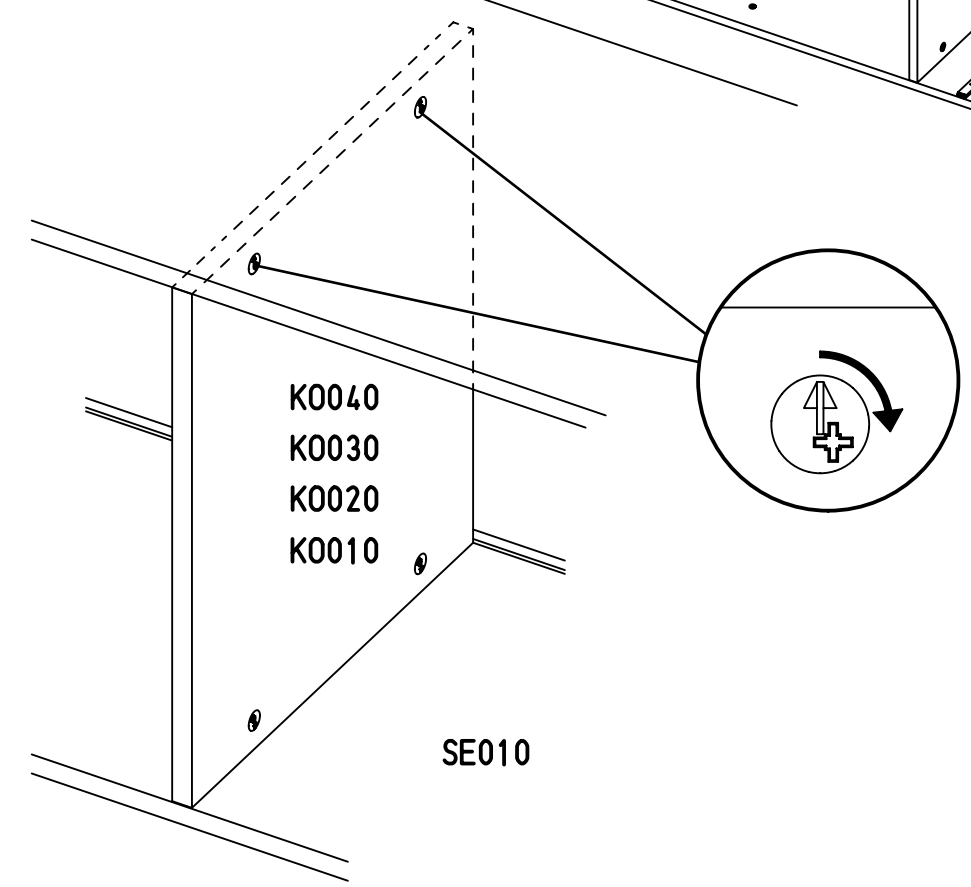
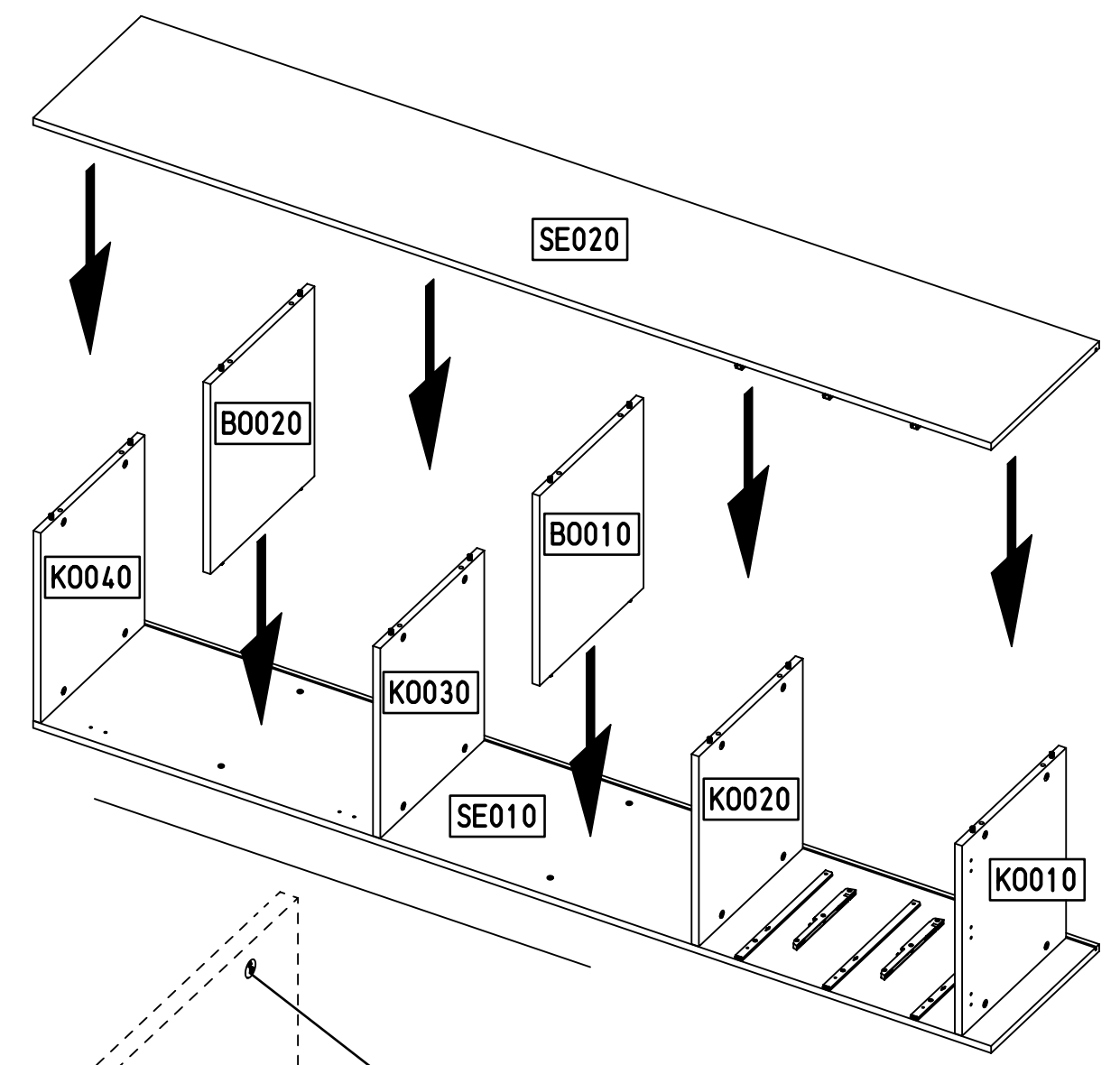
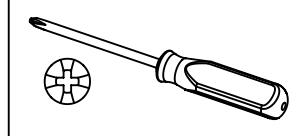
16x 349



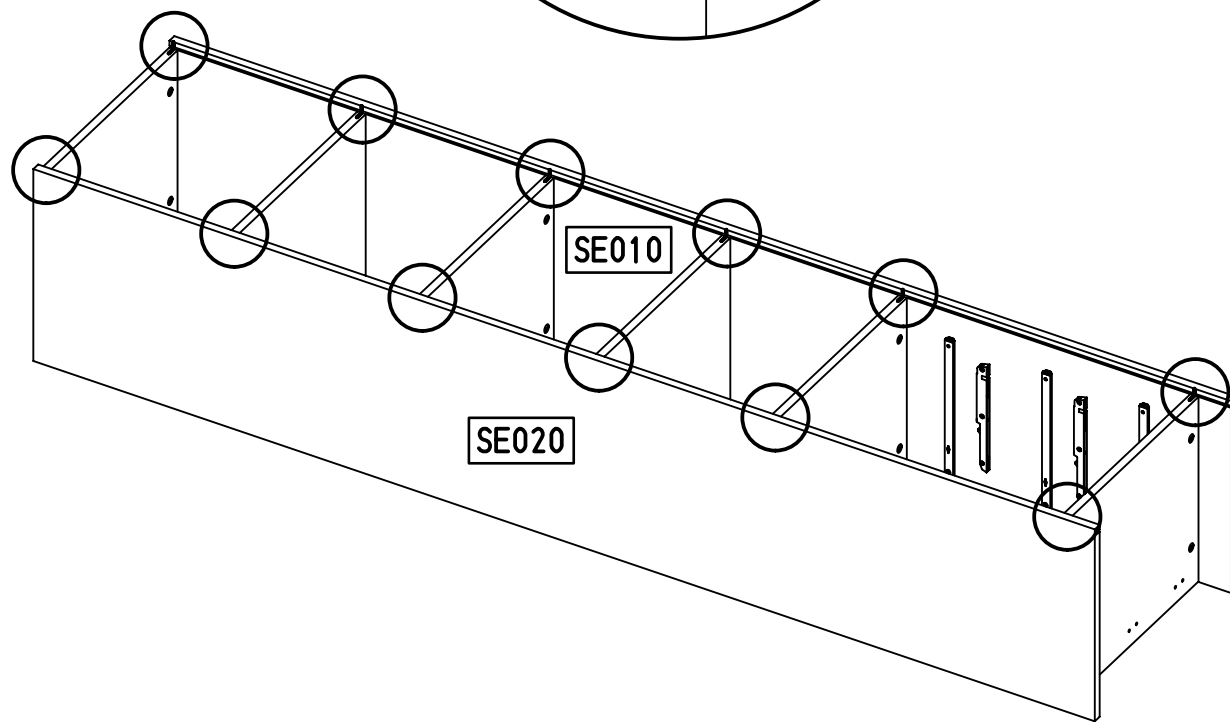
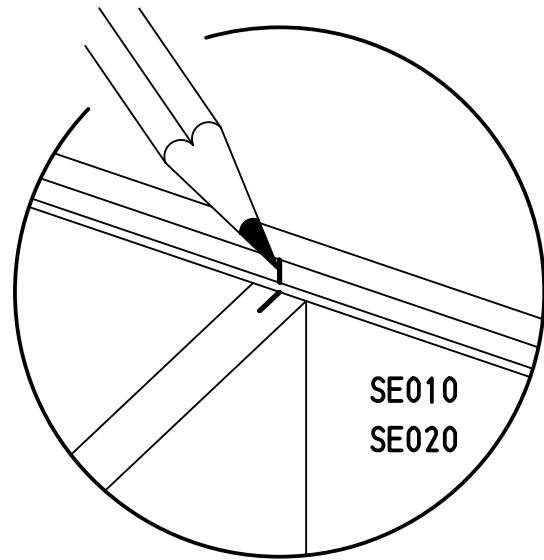
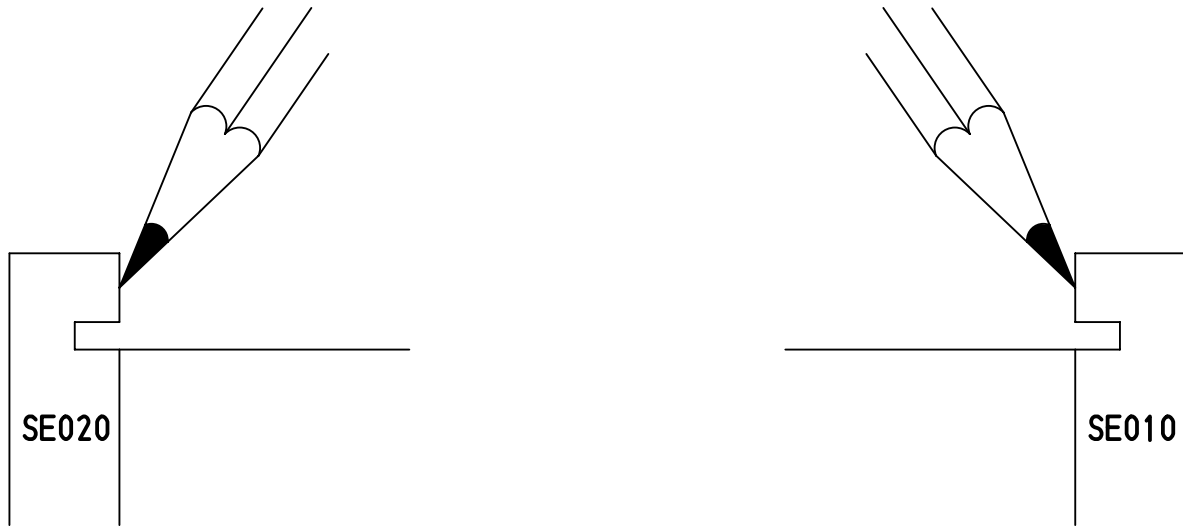
9



10

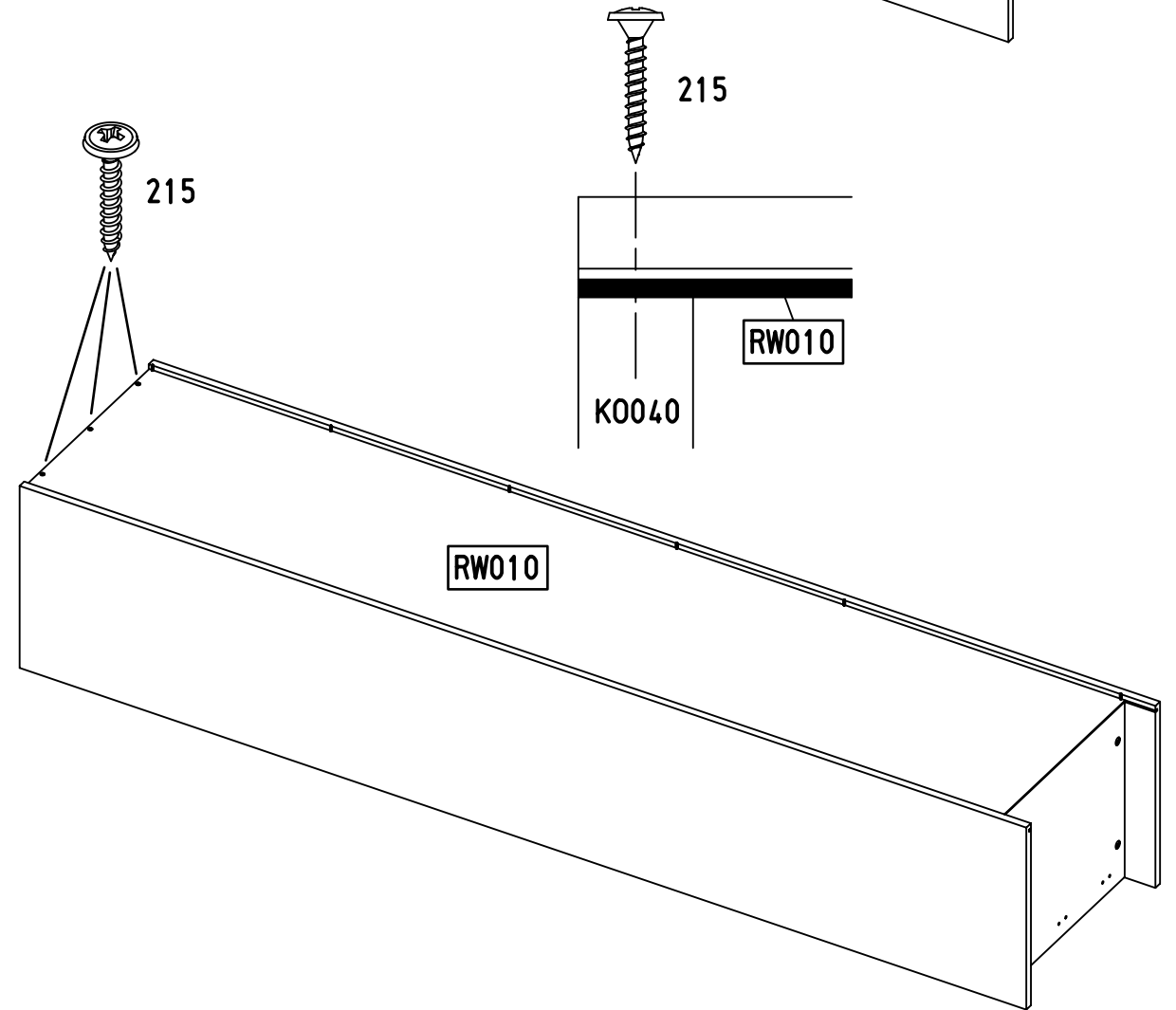
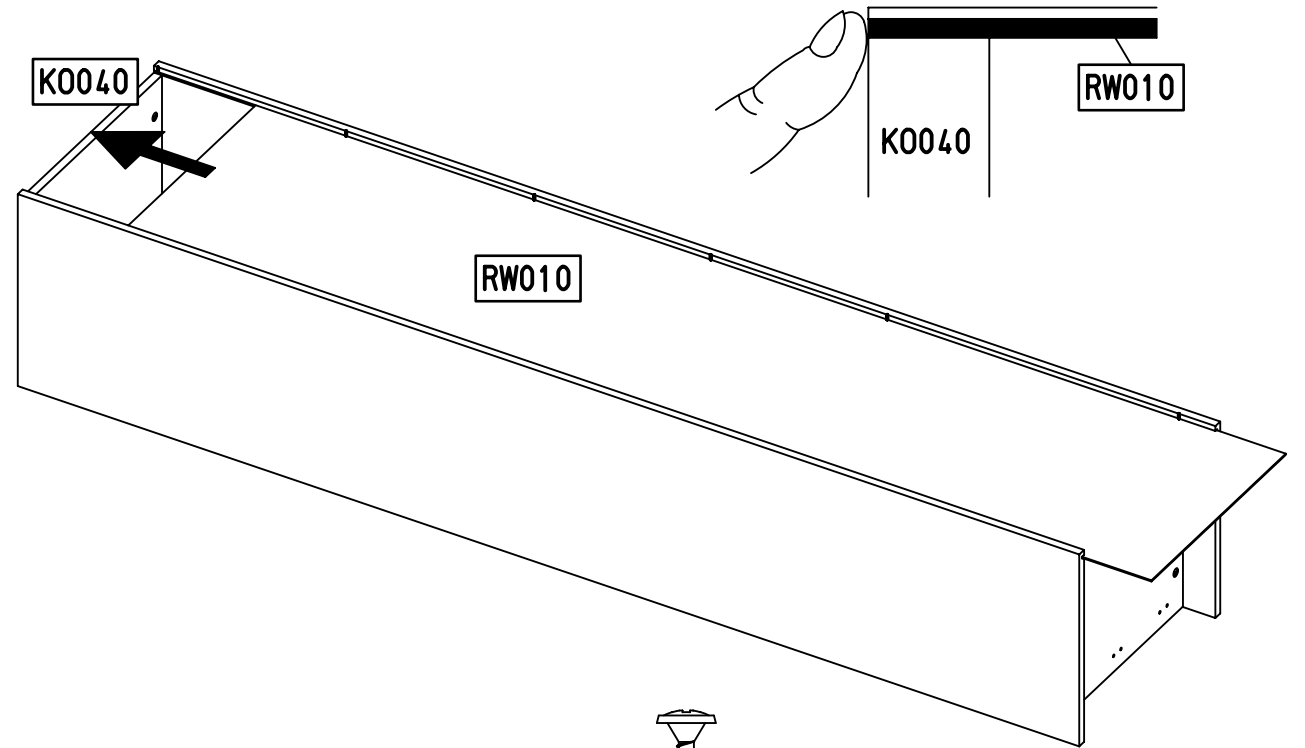
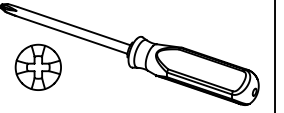
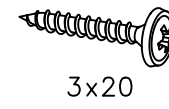


11



12

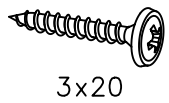
3x 215



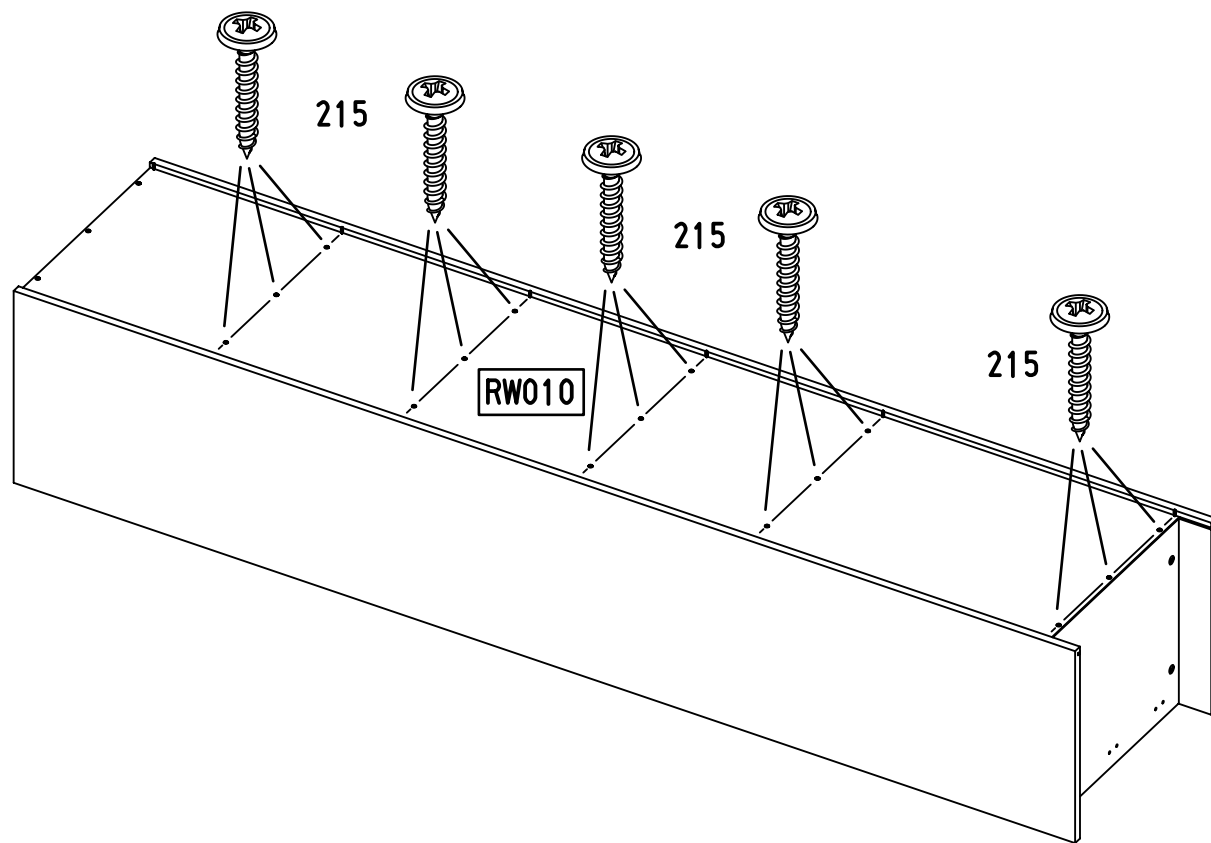
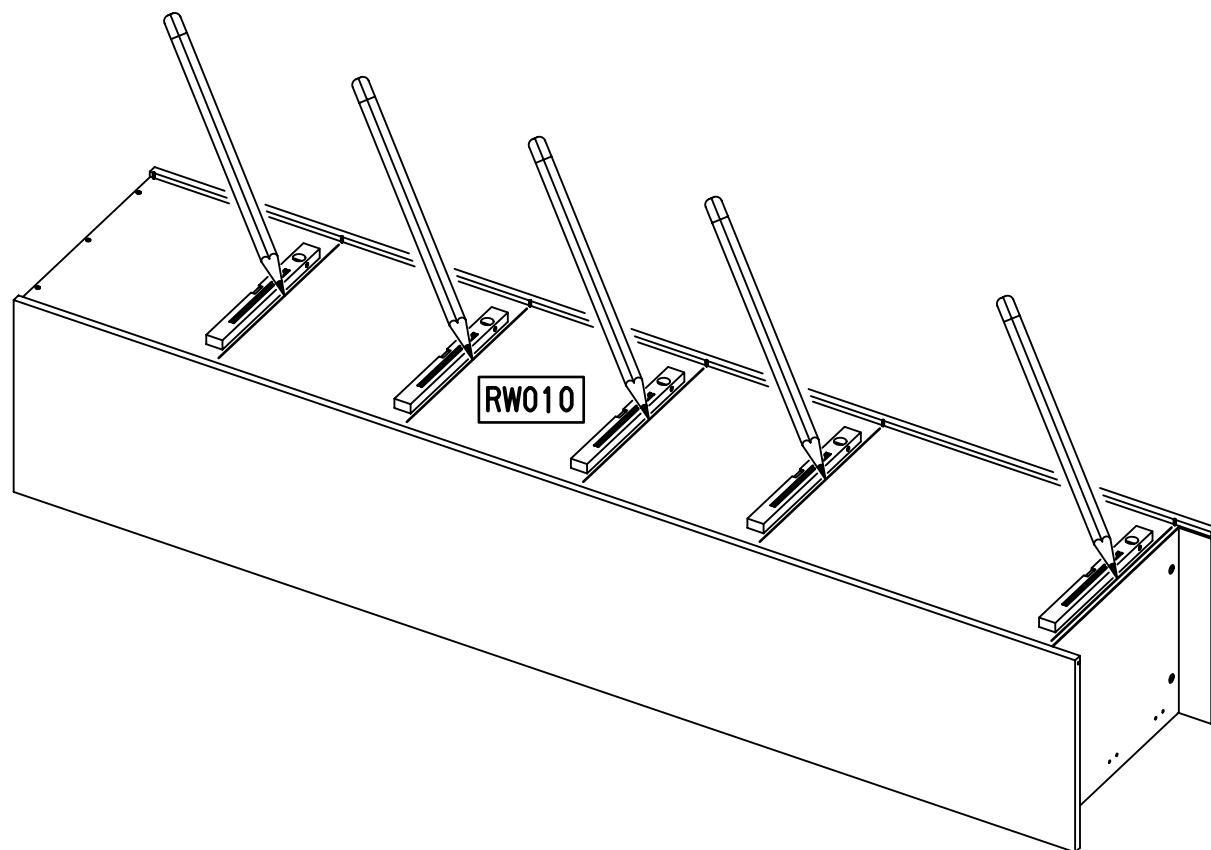
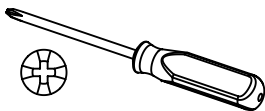
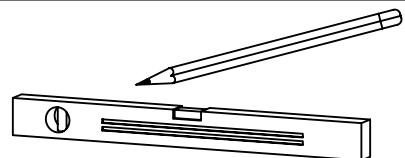
17.

13

15x 215



3x20

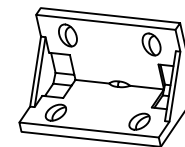


M2534

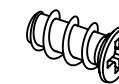
18.

14

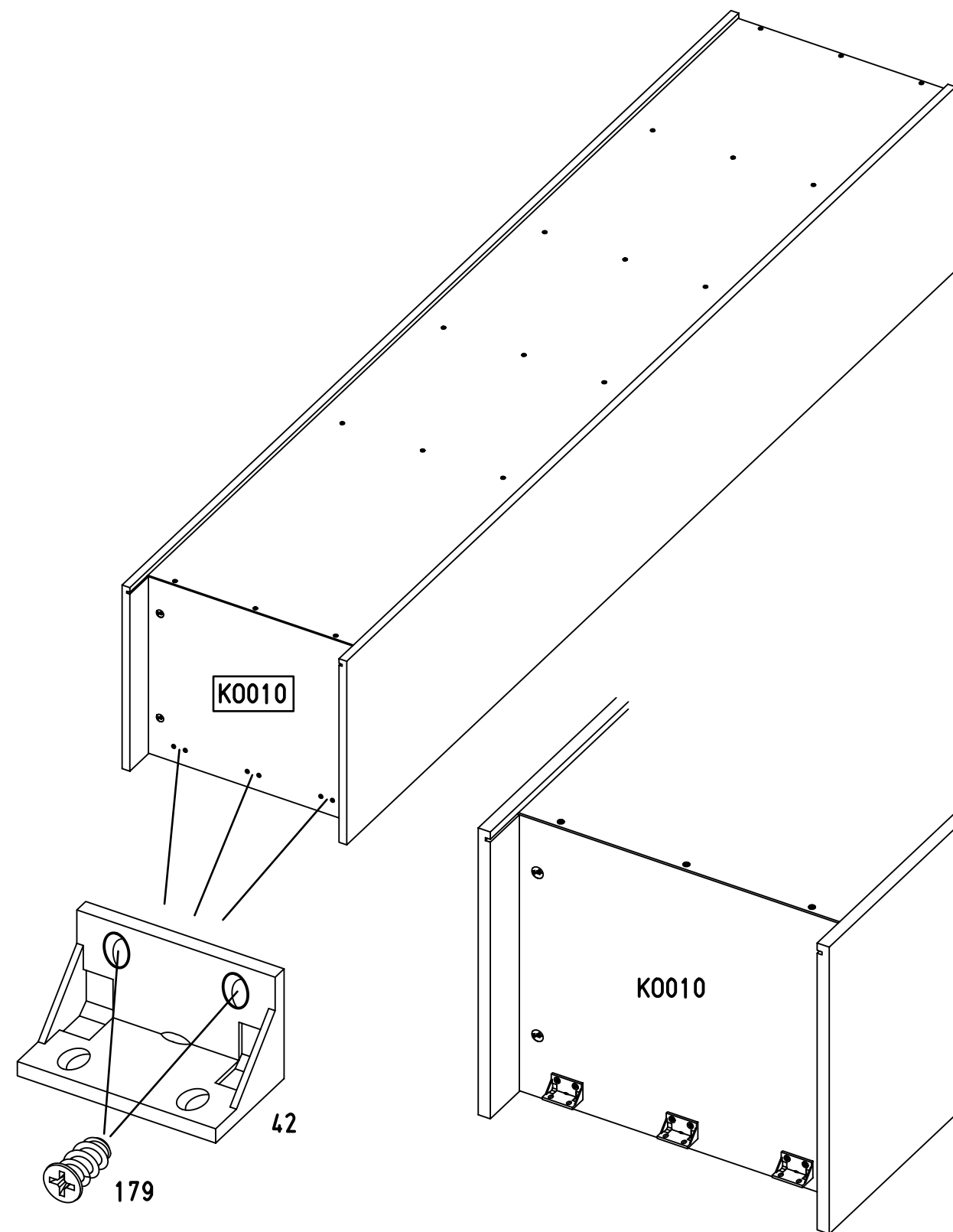
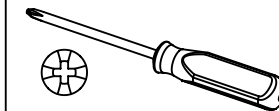
3x 42



6x 179



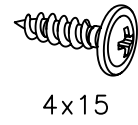
6,3x13



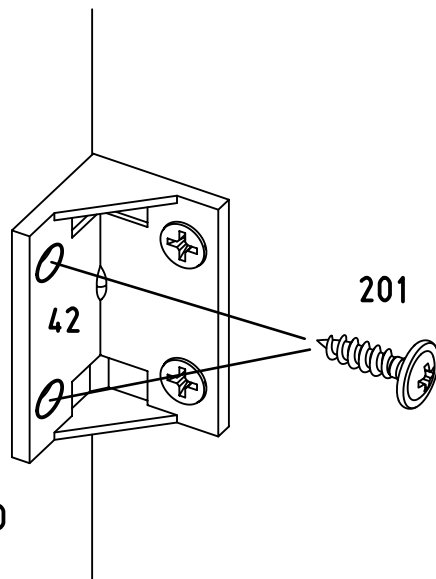
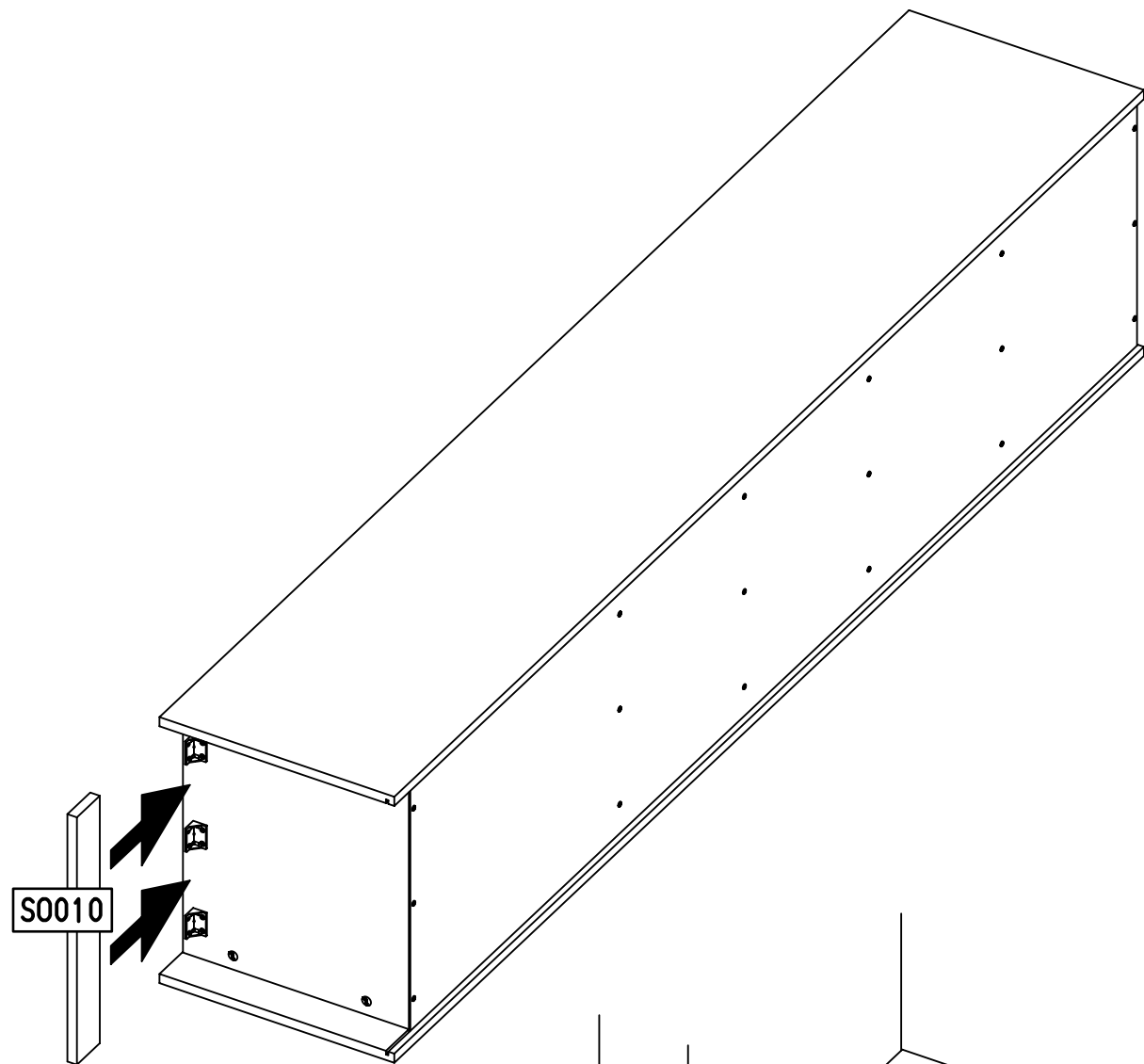
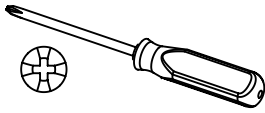
M2534

15

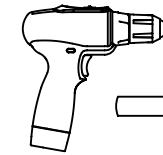
6x 201



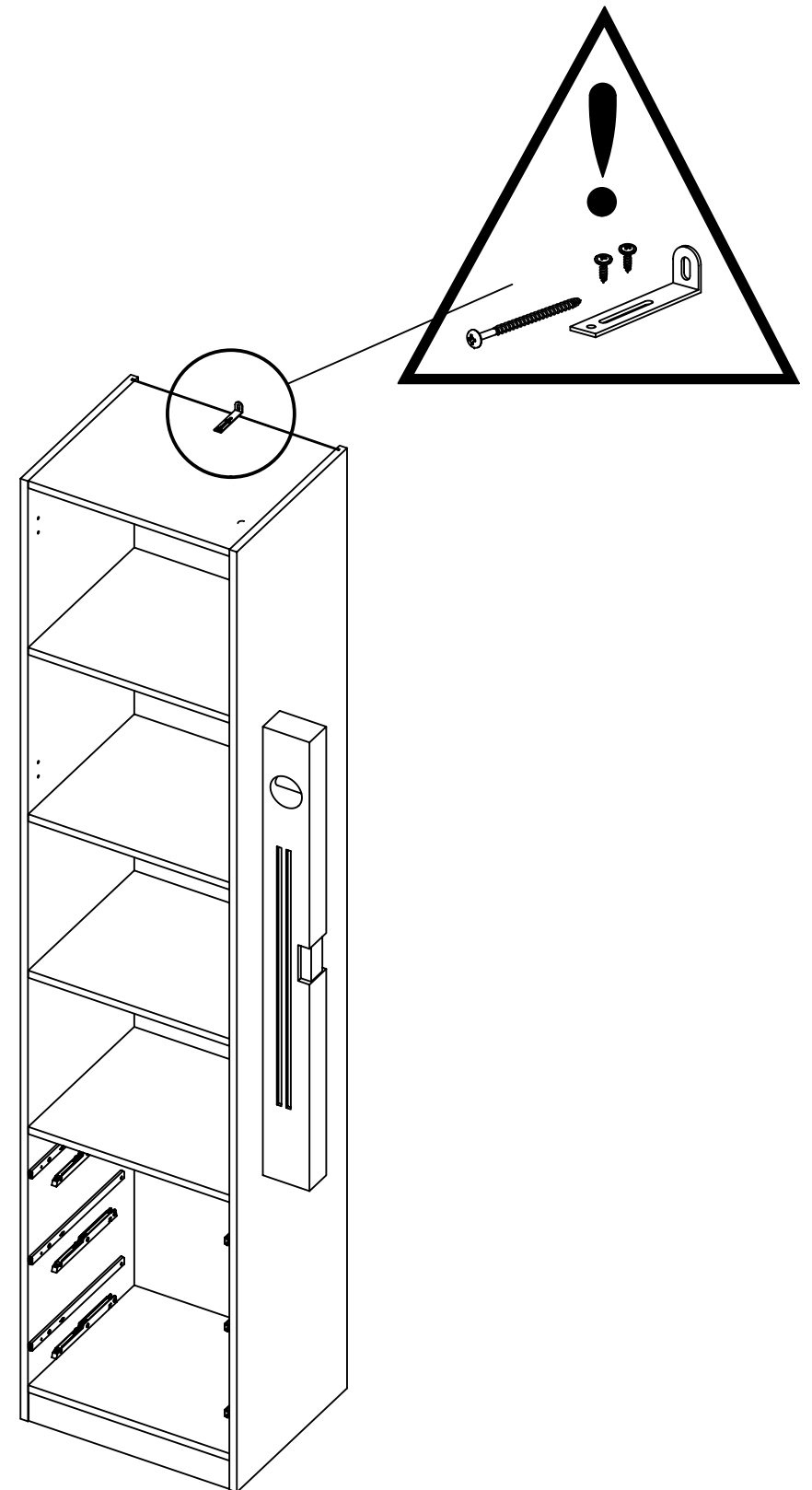
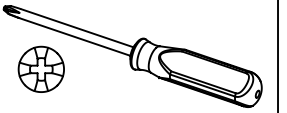
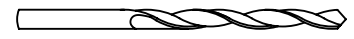
4x15



16

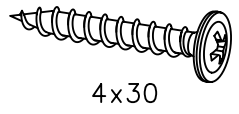


ØXmm

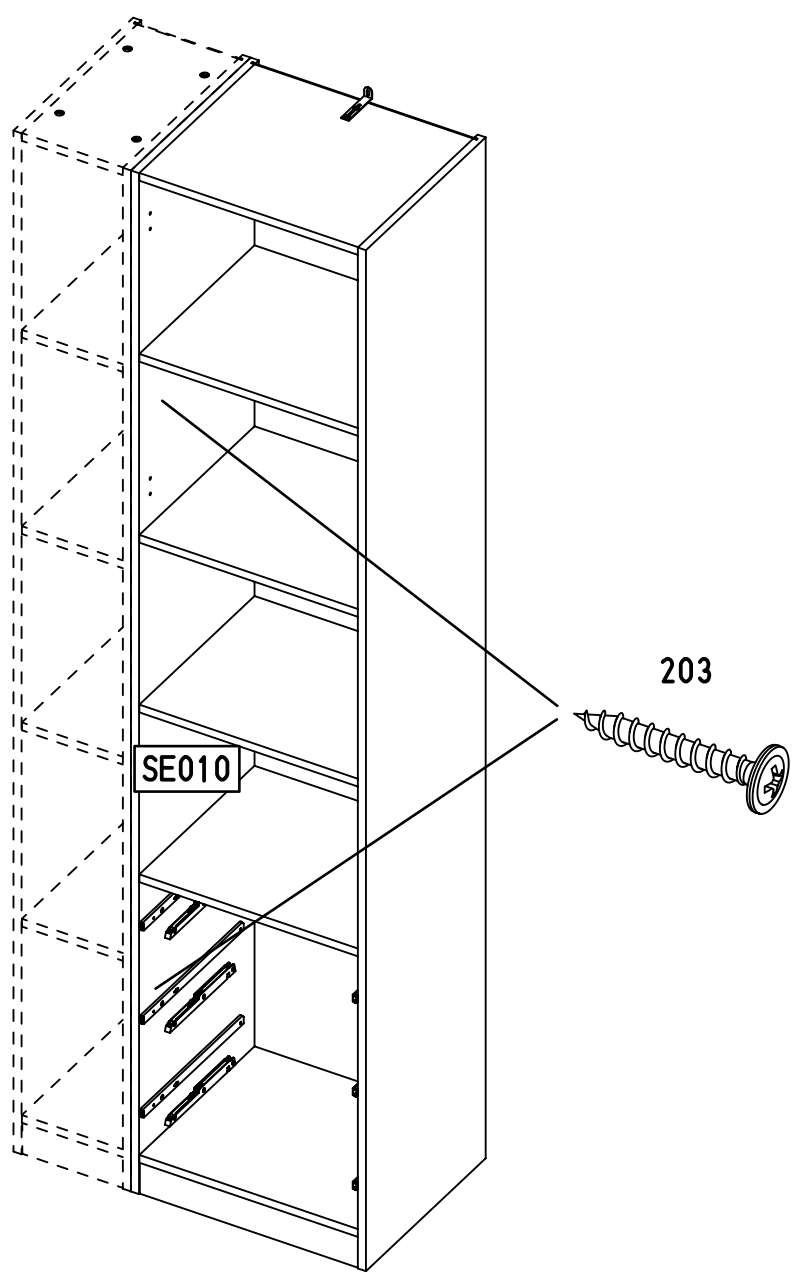
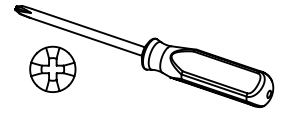


17

2x 203

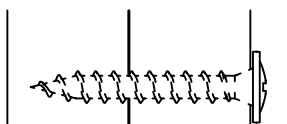


4x30

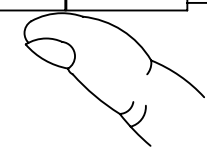


203

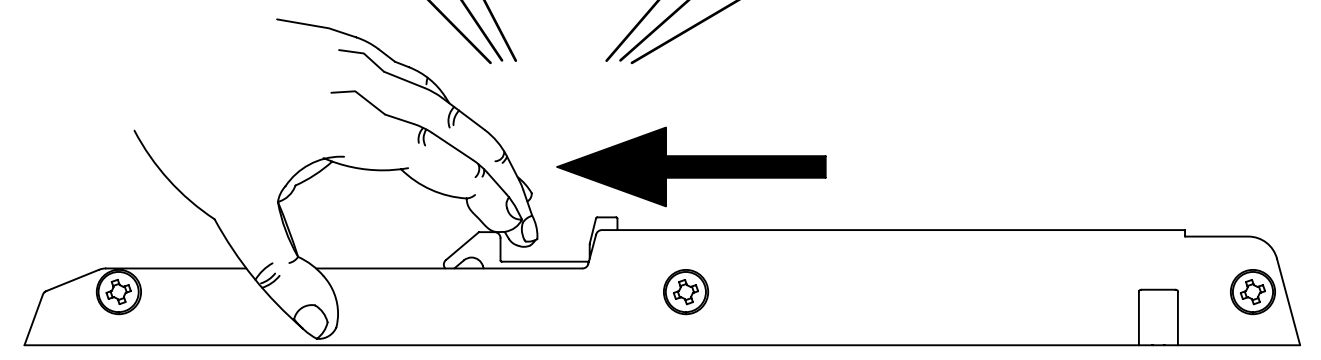
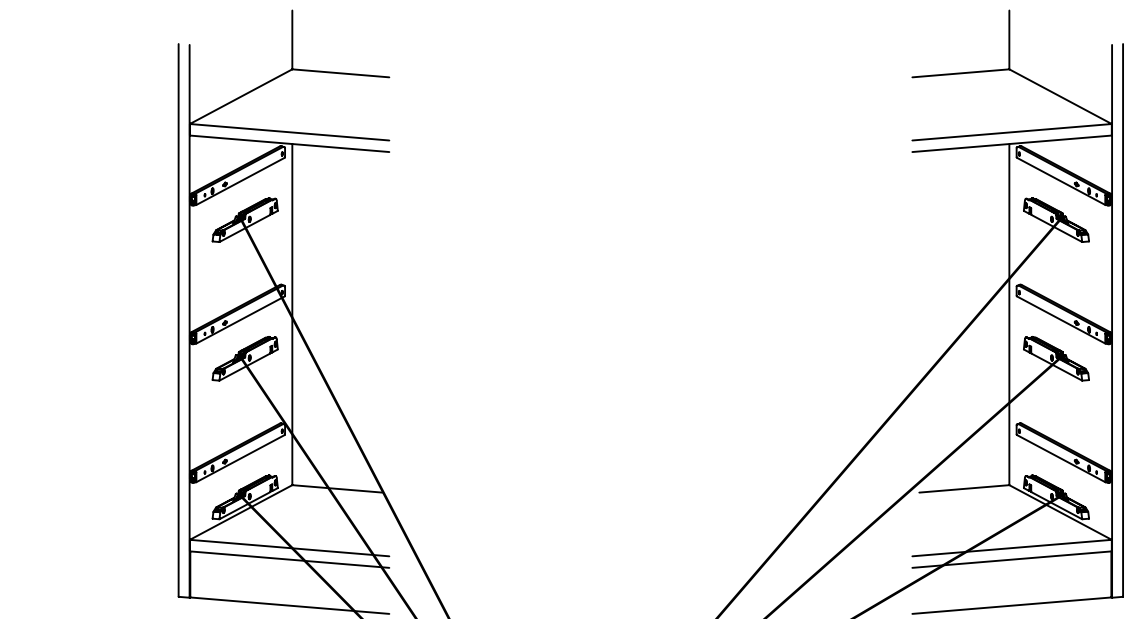
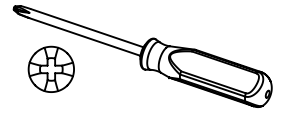
SE010



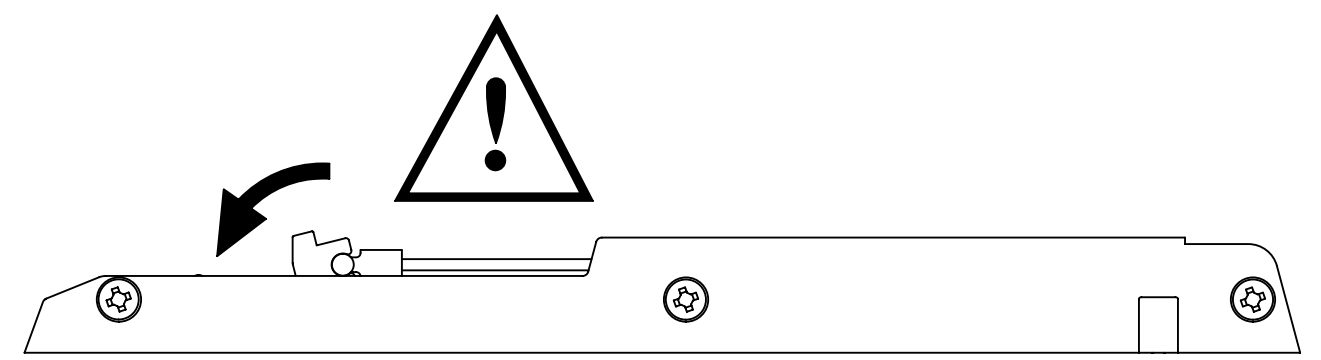
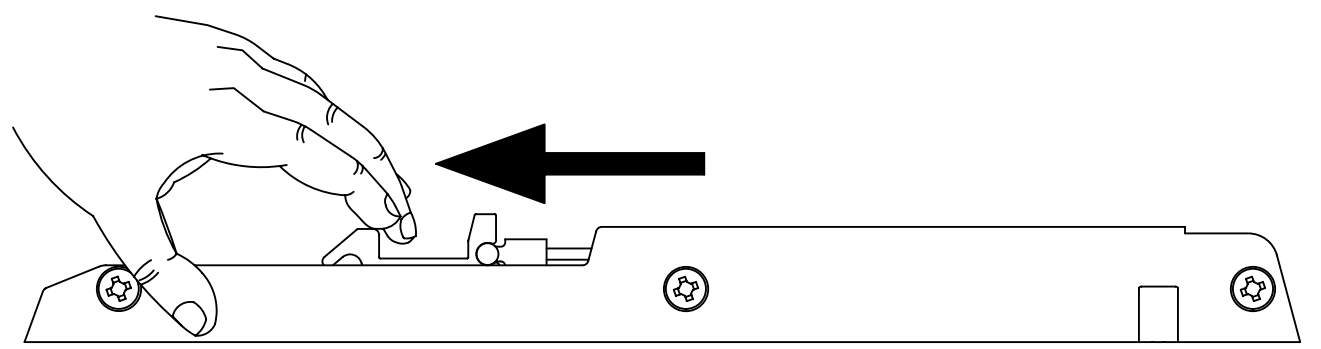
SE010



18

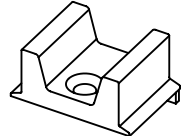


1000

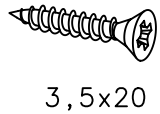


19

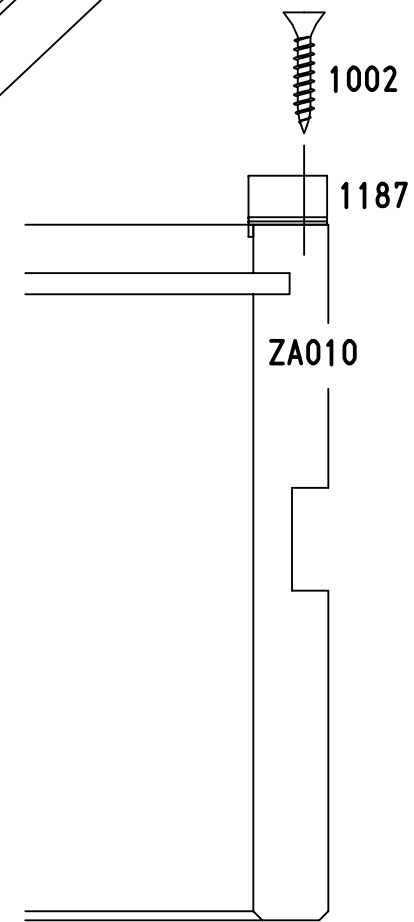
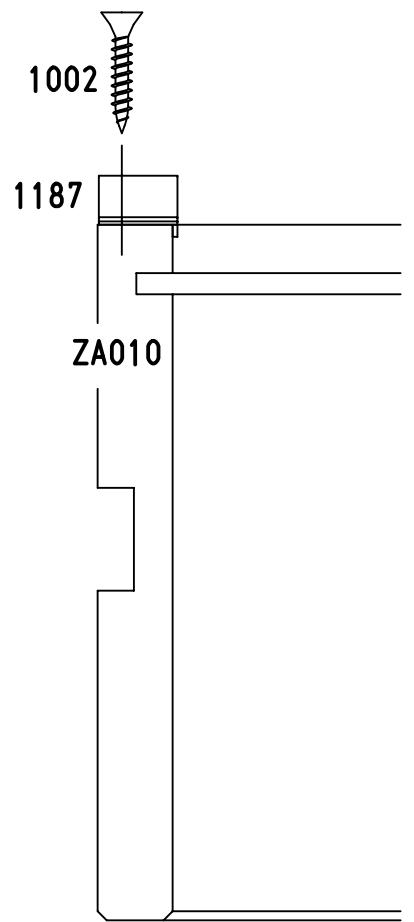
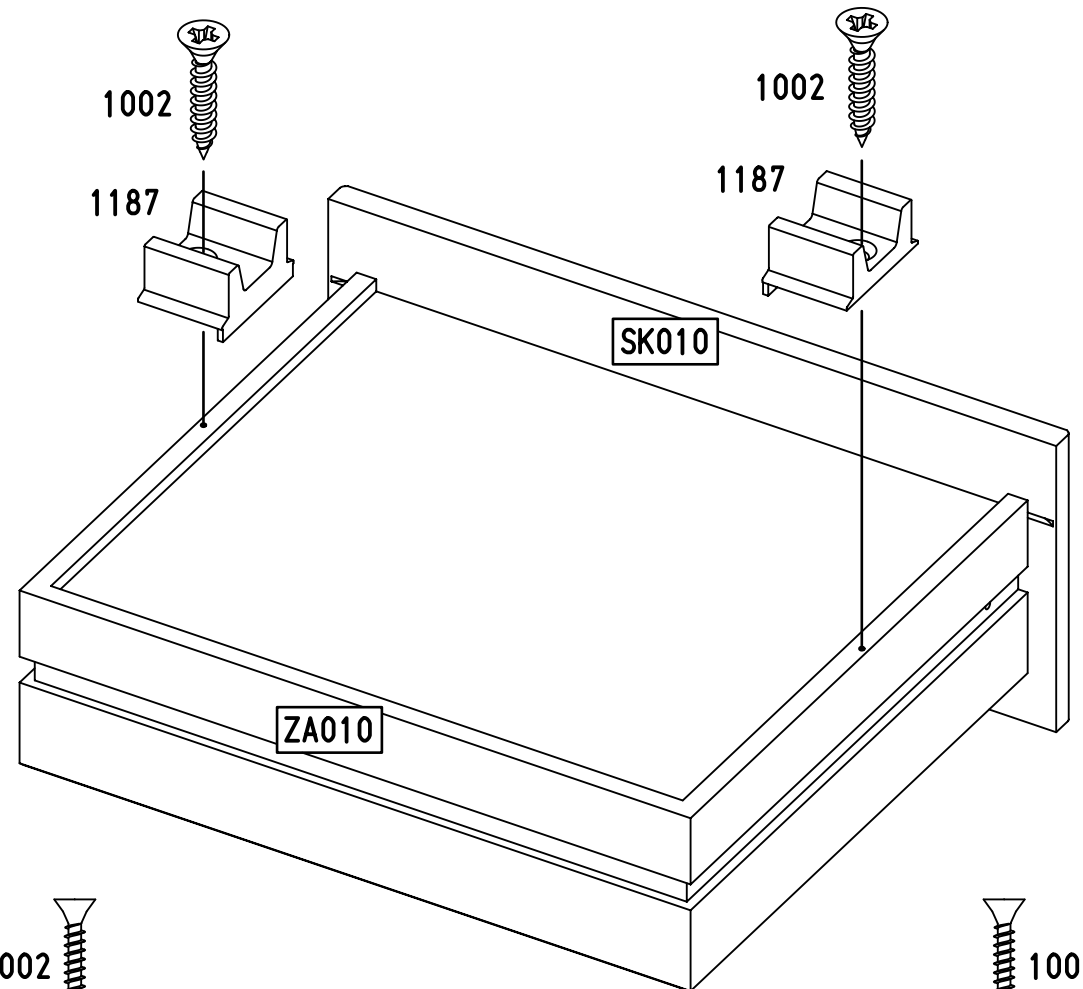
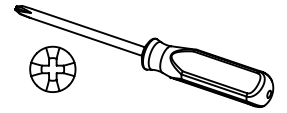
6x 1187



6x 1002



3,5x20

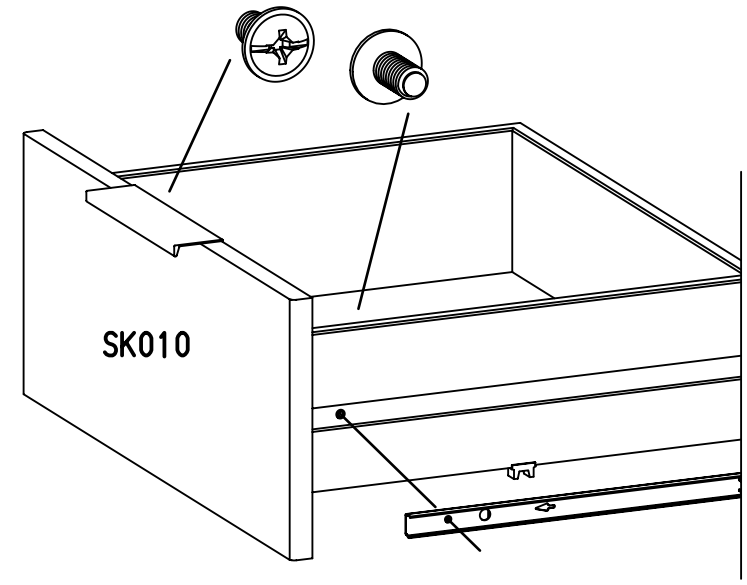
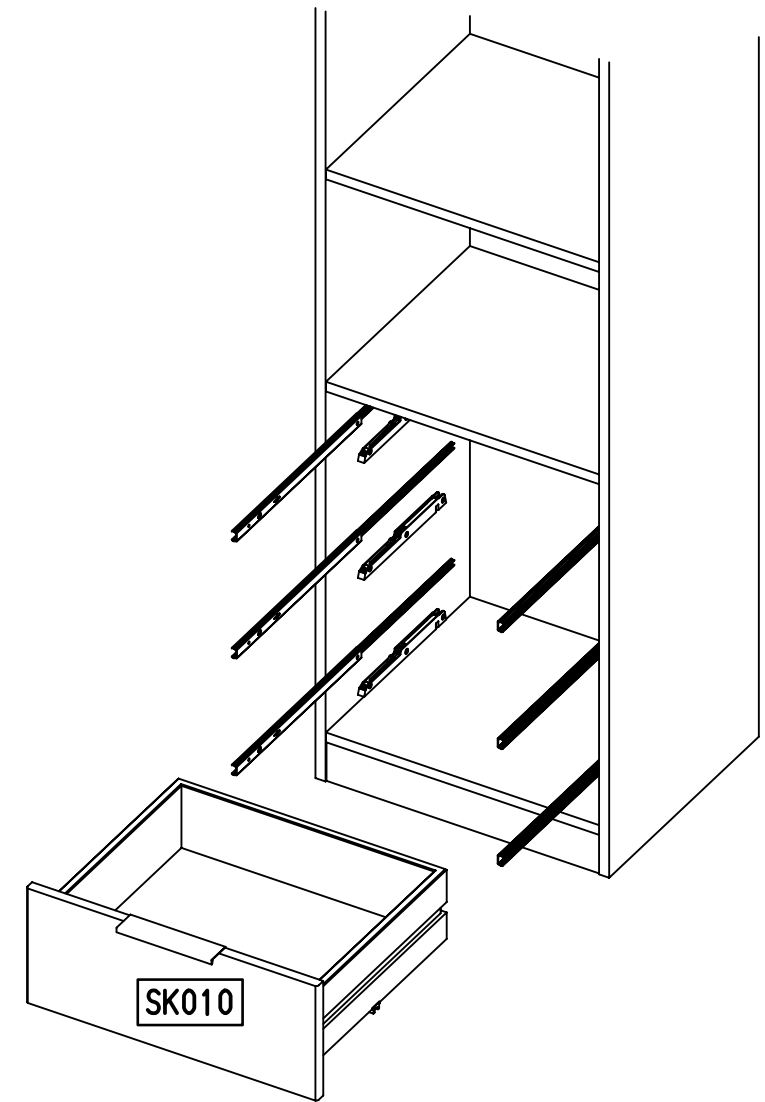
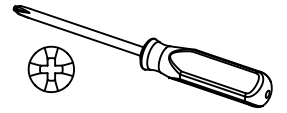


20

6x 568

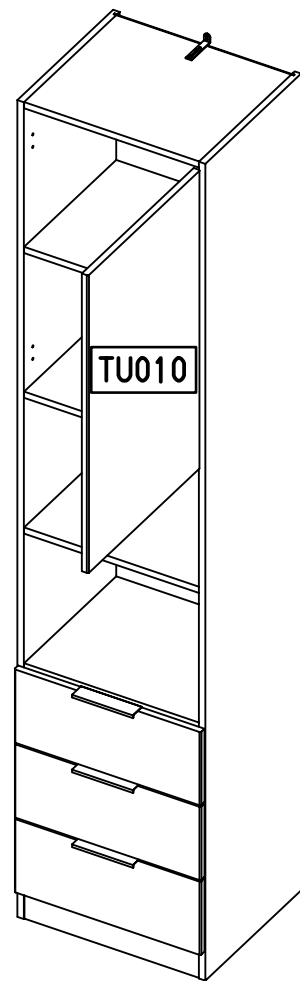
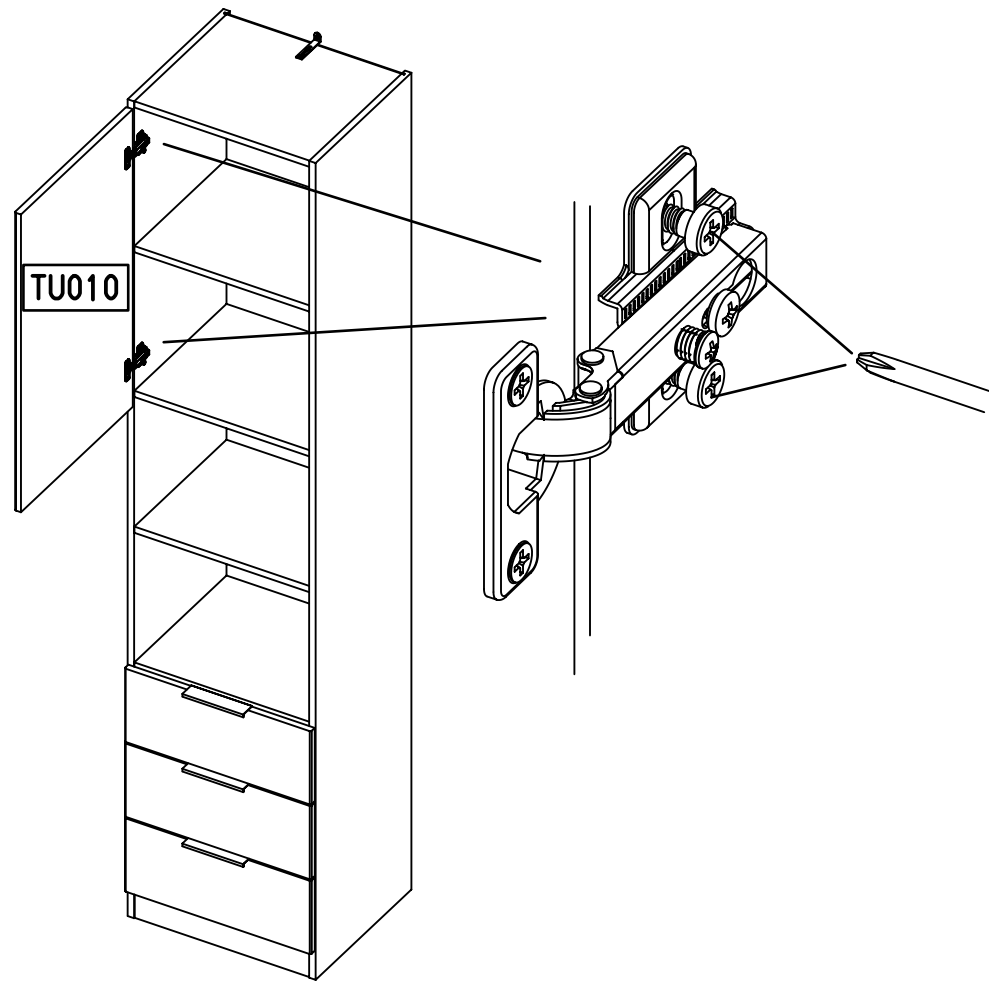
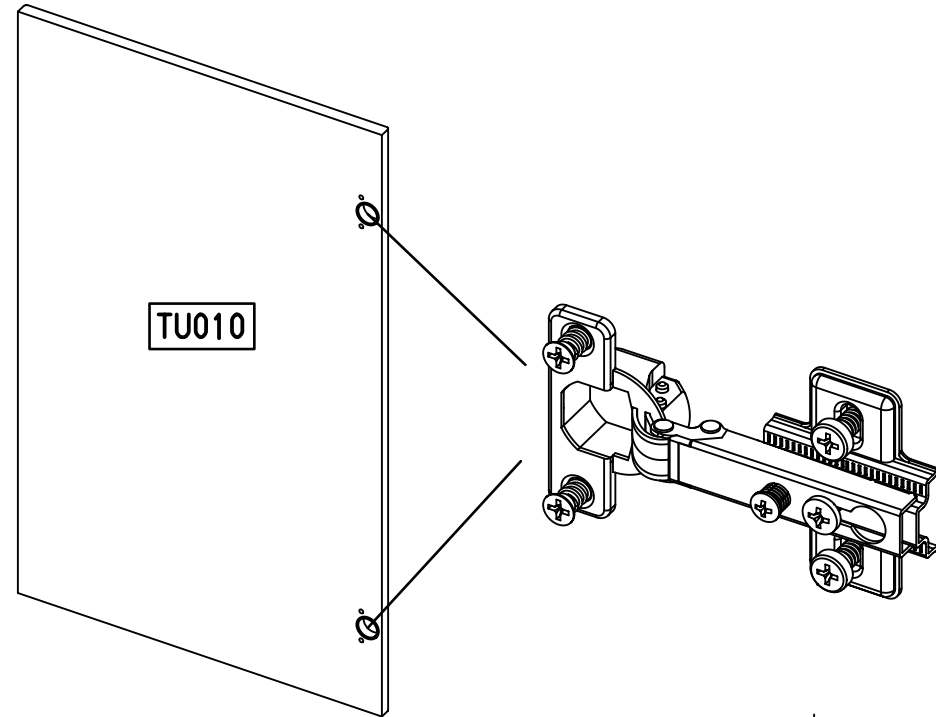
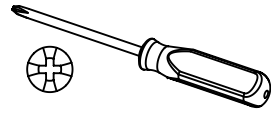
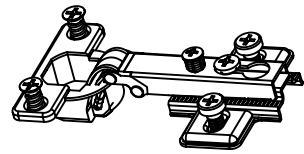


M4x9



21

2x 130



22

