



Front/Carcase, Applications	Colour code
	Handles Metallic grey
Champagne, Applications Atlantic dark oak colour	AG871
Champagne, Applications Metallic grey	AG082
Champagne, Applications Artisan oak colour	AG072



Champagne



Metallic grey



Atlantic dark oak colour



Artisan oak colour

■ You will find matching extras after the wardrobes.

Supplier: Rauch Möbelwerke GmbH

Quality features

rauch BLUE



Interior colour Texline colour



16 mm shelves



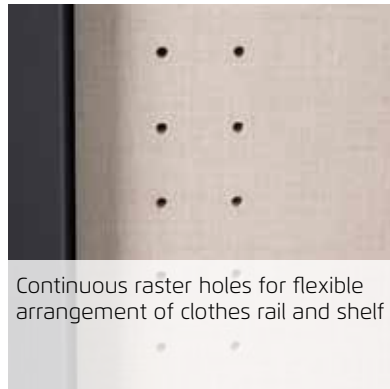
Metal guide rails, Optional dampers for sliding doors



Metal pot hinges, Optional dampers for hinged doors



Drawers on silent ball-bearing runners



Continuous raster holes for flexible arrangement of clothes rail and shelf



The following space is required to mount the wardrobe:
wardrobe height + min. 25 cm,
wardrobe width + min. 25 cm on each side.



See rauch BLUE ACCESSORIES 2.0 for extras for hinged door wardrobes / Extras for sliding door wardrobes can be found after the wardrobes.

Top workmanship

Proven fittings technology

Easy to assemble

Practical accessories

Material information



Colour

Furniture with colour finish has an evenly attractive, hard-wearing surface.



Load-bearing capacity

The load limits for all furniture and extras can be found in the load table at: <https://qrco.de/rauch-belastungstabelle>



Raw materials from nature

In the production of the wood-based materials for our furniture, we rely exclusively on uncontaminated, fresh weak and storm wood from local, sustainable forestry operations. Strict tests by neutral institutes continuously confirm the safety of materials and processes.



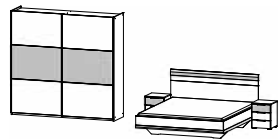
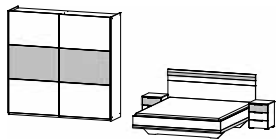
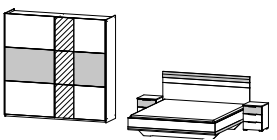
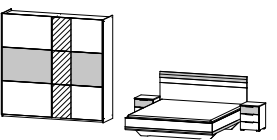
The „Blue Angel“

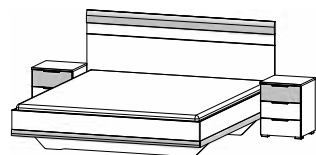
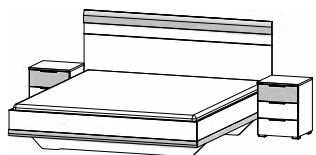
The German government's eco-label for low-emission furniture that is harmless to health. Articles covered with textiles or artificial leather are excluded.

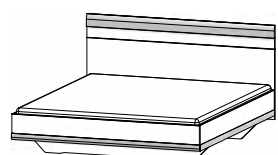
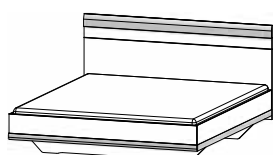
Award-winning and certified



Front/Carcase, Applications	Colour code
	Handles Metallic grey
Champagne, Applications Atlantic dark oak colour	AG871
Champagne, Applications Metallic grey	AG082
Champagne, Applications Artisan oak colour	AG072

BEDS		Special offer sets consisting of: Robe and bed combination				
<ul style="list-style-type: none"> • Bed side height = 41 cm • Inlet depths slatted frame (Upper edge of bed side to support height): 11,2 cm • Without slats! 						
	bedroom - Consists of: sliding door wardrobe, 2-door, bed 160/200, bedside tables, pair	bedroom - Consists of: sliding door wardrobe, 2-door, bed 180/200, bedside tables, pair	bedroom - Consists of: sliding door wardrobe, 2-door, 1 mirrored door, bed 160/200, bedside tables, pair	bedroom - Consists of: sliding door wardrobe, 2-door, 1 mirrored door, bed 180/200, bedside tables, pair		
	Article	Price	OTL5	OTL5	OTL7	OTL7

BEDS		Combination consisting of bed and 2 bedside tables.				
<ul style="list-style-type: none"> • Bed side height = 41 cm • Inlet depths slatted frame (Upper edge of bed side to support height): 11,2 cm • Without slats! 						
	bed combination with 2 bedside tables 160/200 ↔245 cm †102 cm ↗207 cm BG 60	bed combination with 2 bedside tables 180/200 ↔265 cm †102 cm ↗207 cm BG 80				
	Article	Price	OTL0	OTL0		

BEDS					
<ul style="list-style-type: none"> • Bed side height = 41 cm • Inlet depths slatted frame (Upper edge of bed side to support height): 11,2 cm • Without slats! 					
	bed 160/200 ↔165 cm †102 cm ↗207 cm BG 60	bed 180/200 ↔185 cm †102 cm ↗207 cm BG 80			
	Article	Price	7TA0	7TA0	

Front/Carcase, Applications	Colour code
	Handles Metallic grey
Champagne, Applications Atlantic dark oak colour	AG871
Champagne, Applications Metallic grey	AG082
Champagne, Applications Artisan oak colour	AG072

MATCHING PIECES		Bedside tables. Top drawers in application colour.	
	bedside table	bedside tables, pair	
	3 drawers	3 drawers	
	↔40 cm †52 cm ↗40 cm	↔40 cm †52 cm ↗40 cm	
Article	Price	61K2	61K3

MATCHING PIECES		Cupboards. Top drawers in application colour.			
	chest	chest	chest	chest	
	4 drawers	5 drawers	1-door, hinged right, 4 drawers	2-door, 4 drawers	
	↔47 cm †81 cm ↗42 cm	↔93 cm †81 cm ↗42 cm	↔93 cm †81 cm ↗42 cm	↔140 cm †81 cm ↗42 cm	
Article	Price	637F	639C	66T4	674B

WARDROBES		Sliding door wardrobes. Middle sections in contrast colour.			
You will find matching extras after the wardrobes.					
	sliding door wardrobe	sliding door wardrobe	sliding door wardrobe	sliding door wardrobe	
	2-door	2-door, 1 mirror door, mirror/glass partially laid out	2-door	2-door, 1 mirror door, mirror/glass partially laid out	
	↔218 cm †210 cm ↗59 cm	↔218 cm †210 cm ↗59 cm	↔261 cm †210 cm ↗59 cm	↔261 cm †210 cm ↗59 cm	
Article	Price	4211	503E	4212	503F

Colour	Colour code
Texline (natural-colour linen look)	A0039

Extras for sliding door robes

ELEMENT WIDTH ▶		65	87	109	65	87	109
Design constraints necessitate a shelf thickness of 2.2 cm on unit widths of 109 cm.							
		Shelf	Shelf	Shelf	hanging rail	hanging rail	hanging rail
		for unit width 66cm	for unit width 87 cm	for unit width 109 cm	for unit width 66cm	for unit width 87 cm	for unit width 109 cm
		↔63 cm ↓1,6 cm ↗45 cm	↔85 cm ↓1,6 cm ↗45 cm	↔107 cm ↓2,2 cm ↗45 cm	↔63 cm ↓3 cm ↗2 cm	↔84 cm ↓3 cm ↗2 cm	↔106 cm ↓3 cm ↗2 cm
1 pieces	Price	94W1	97W1	98W1	97K1	9724	9762
Set of 2		97W0	97W2	98W2	---	---	---
Set of 3		94W3	97W3	98W3	---	---	---
Set of 5		94W5	97W5	---	---	---	---

GENERAL		Drawer unit and interior division match all unit widths.				
		interior drawer	wardrobe interior division	wardrobe interior division	hooks	set of 2 dampers for sliding wardrobes
		with 2 drawers	with 2 shelves for unit width 90cm	incl. 2 fabric boxes with 3 shelves		Cushions the door stop on the outer panels of the wardrobe.
		↔58 cm ↓39 cm ↗45 cm	↔45 cm ↓147 cm ↗45 cm	↔45 cm ↓147 cm ↗45 cm	↔35 cm ↓5 cm ↗5 cm	
Article	Price	9846	9934	035W	9HL1	9TDD

GENERAL						
		fabric box	fabric box			
		set of 2 grey	set of 3 grey			
		2x ↔38 cm ↓29 cm ↗29 cm	3x ↔38 cm ↓29 cm ↗29 cm			
Article	Price	93G2	93G3			

