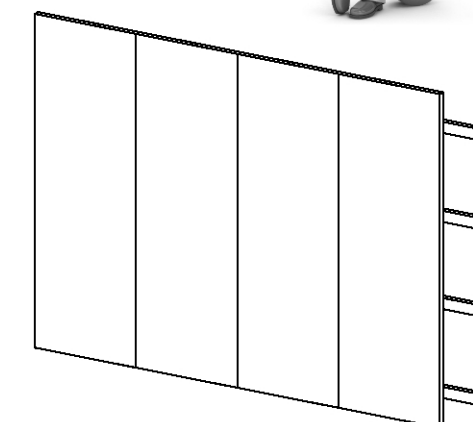
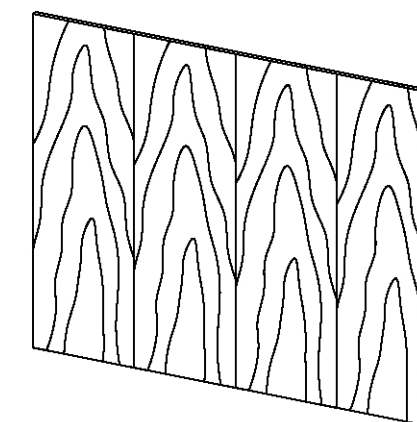
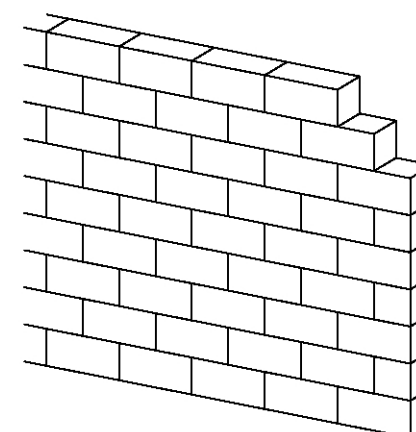
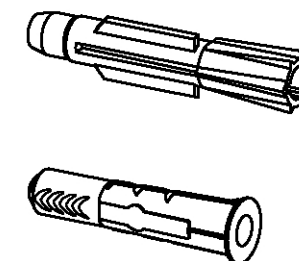
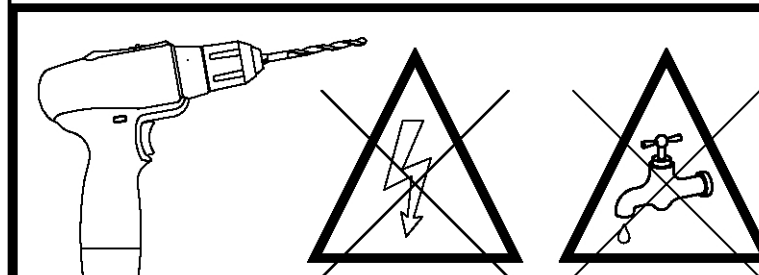
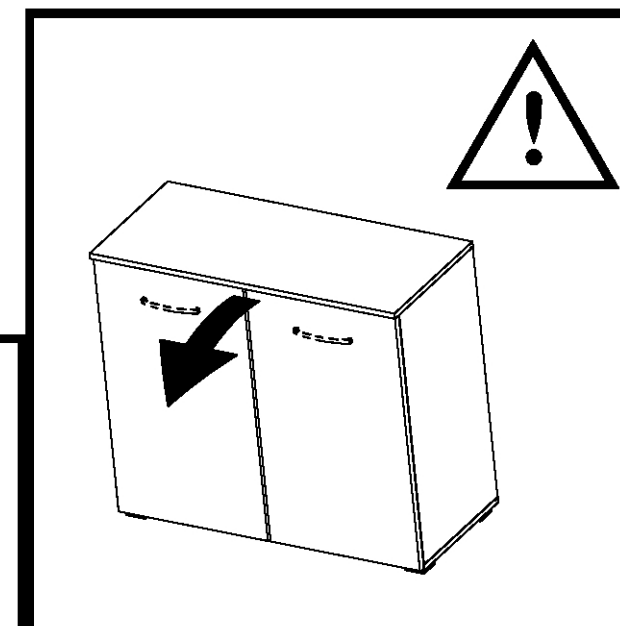
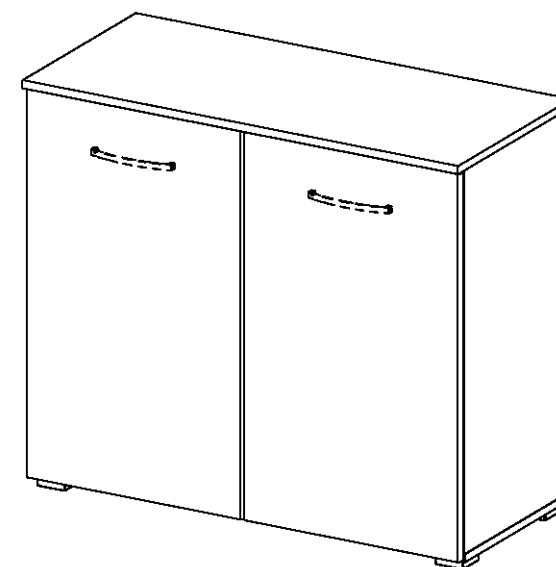
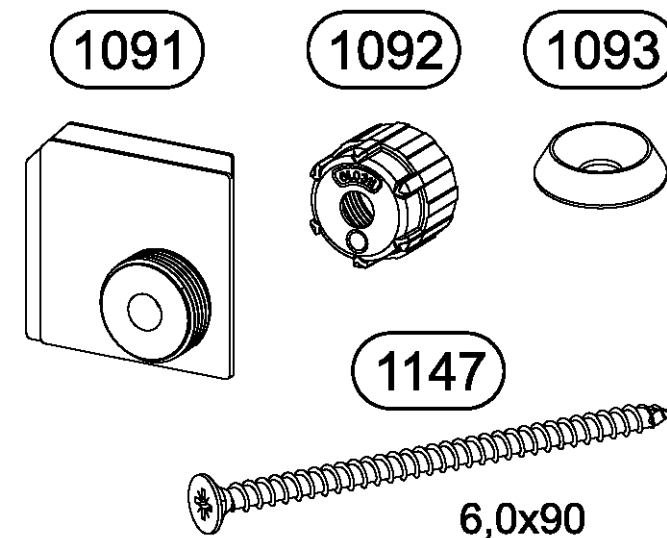
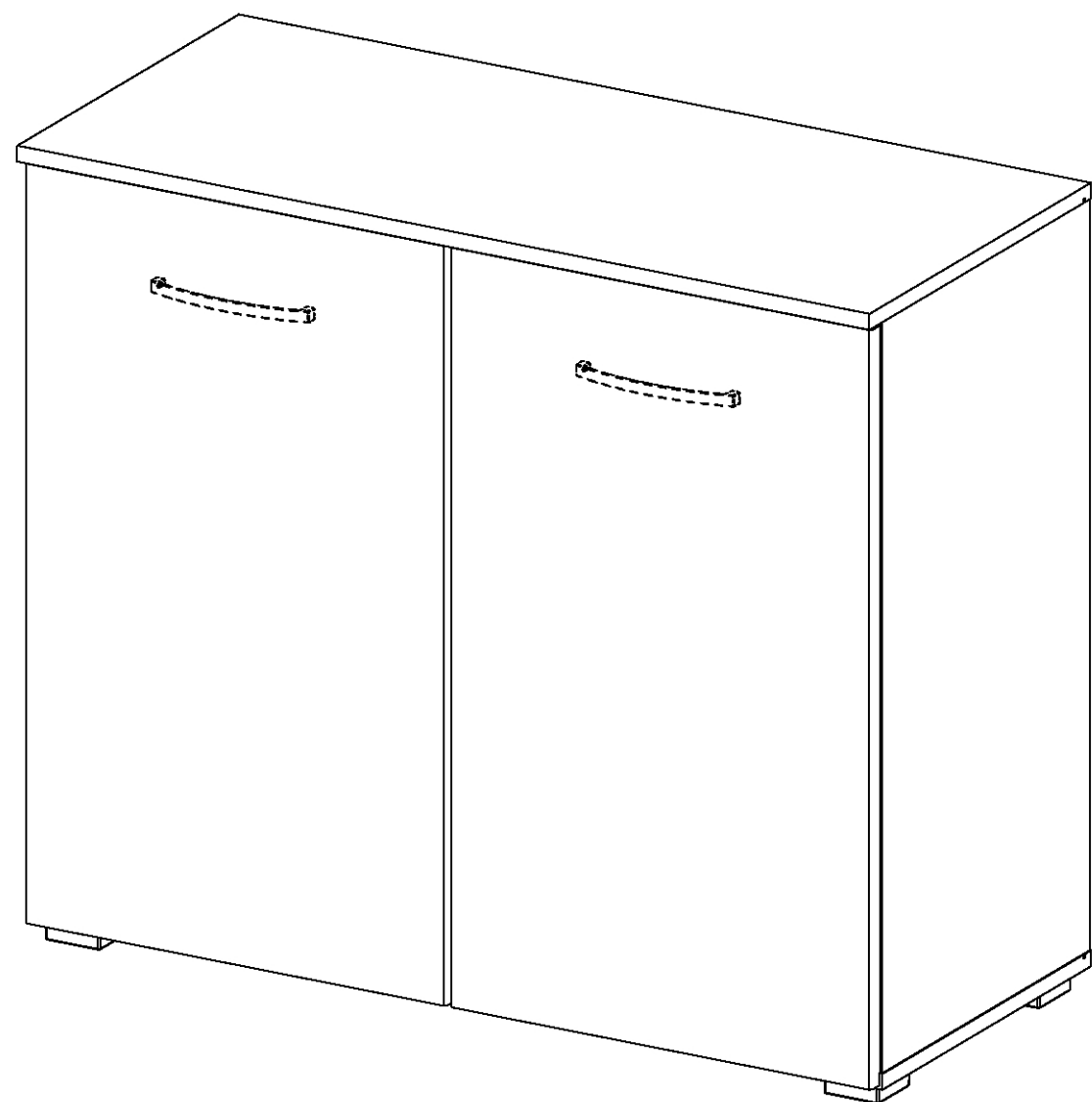
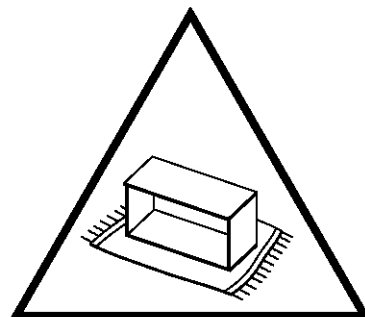
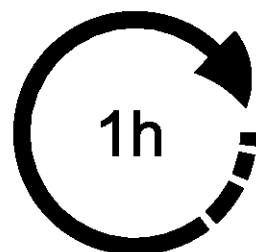
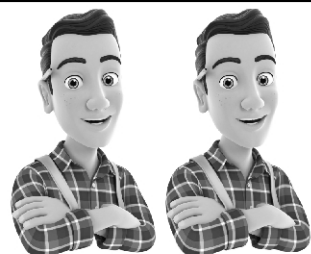
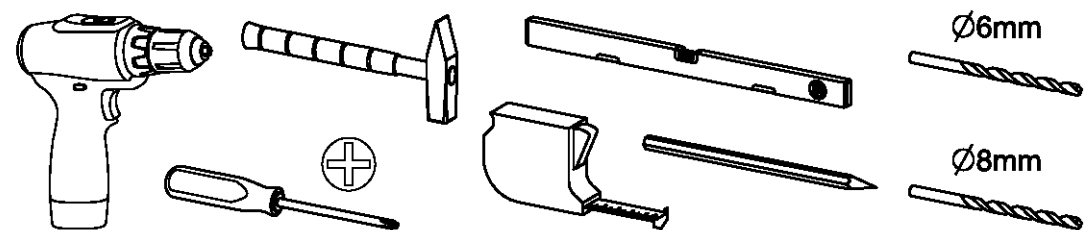
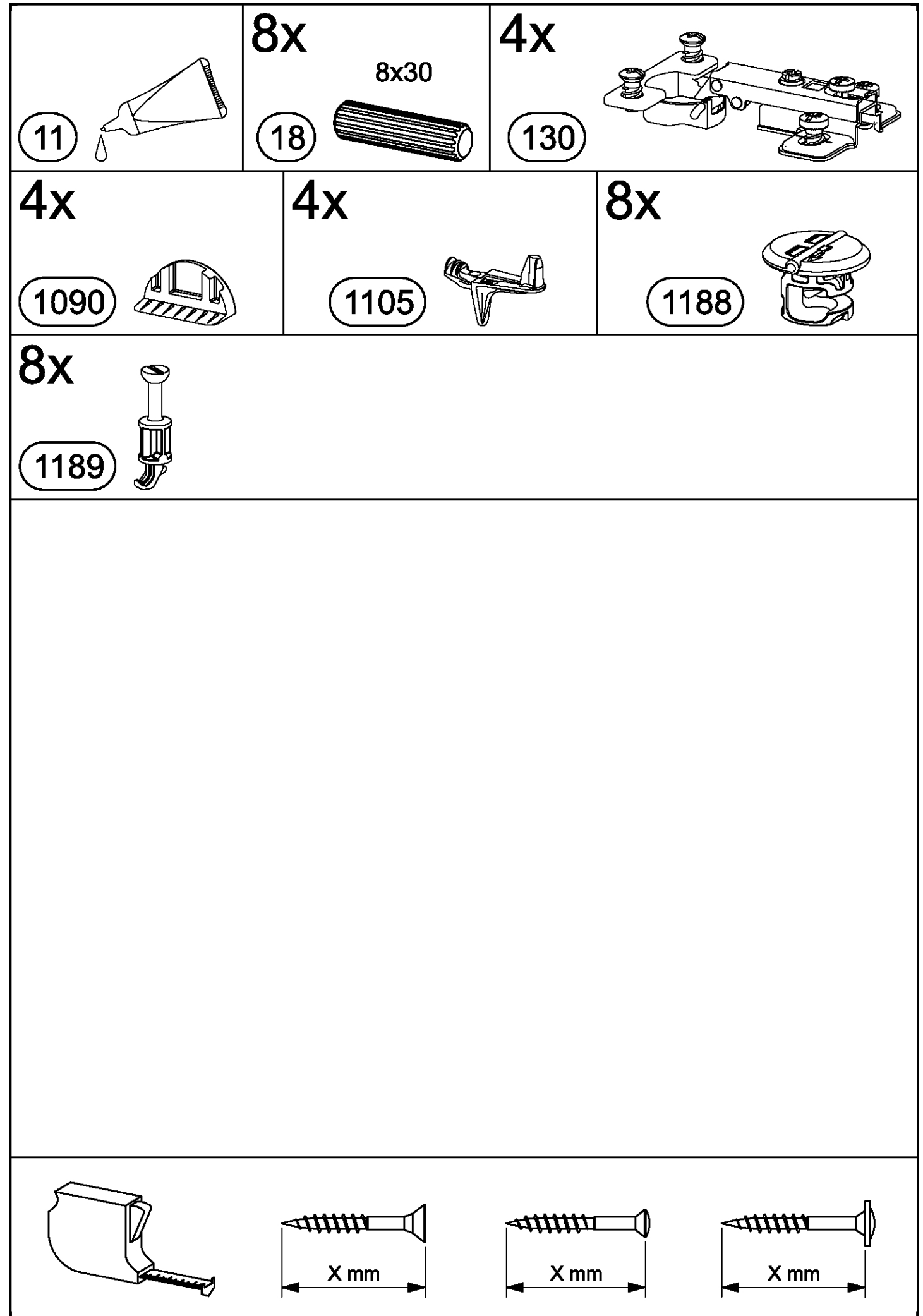
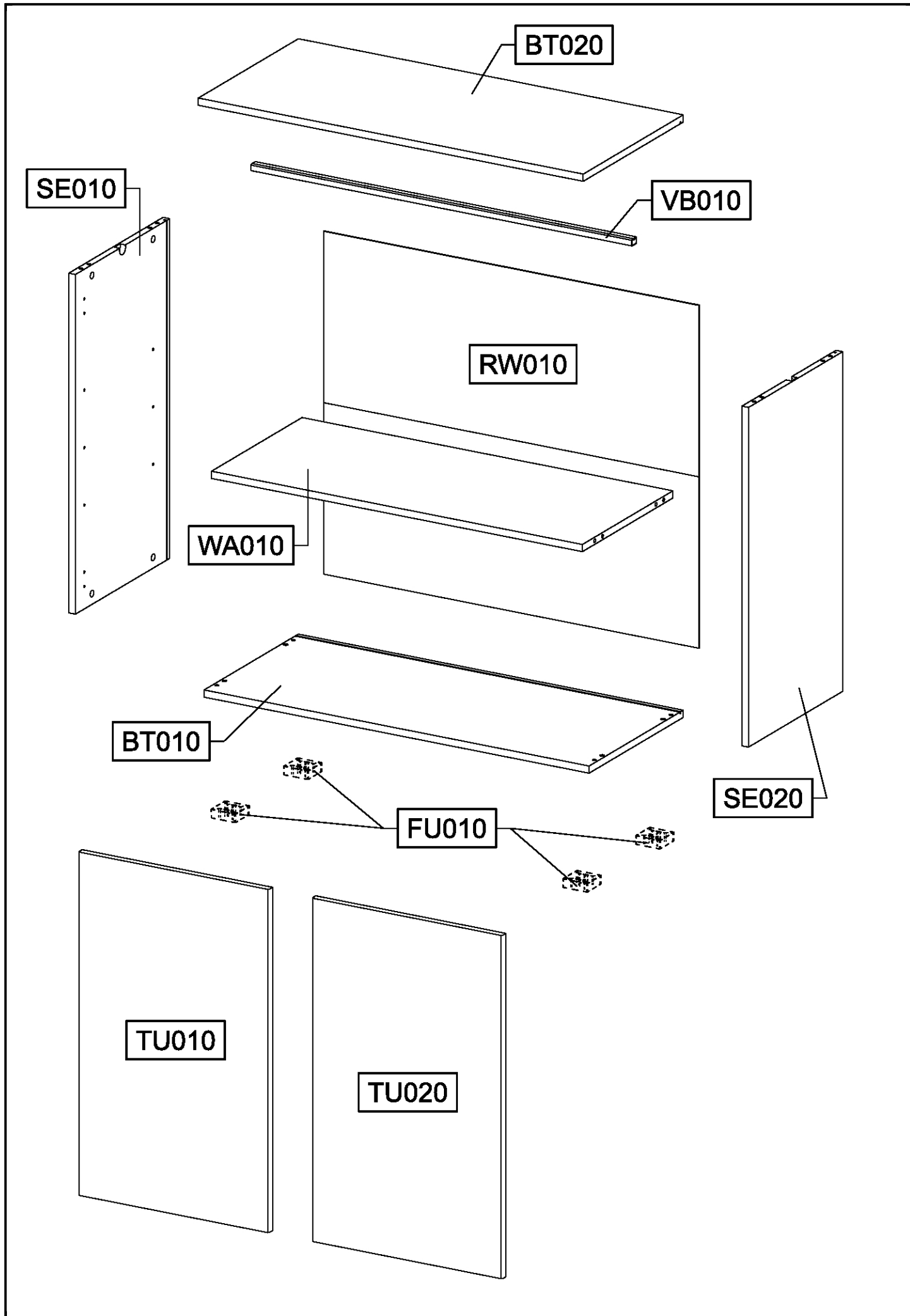


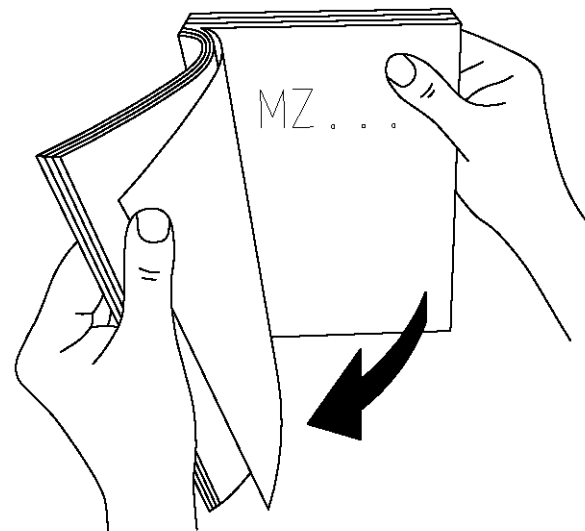
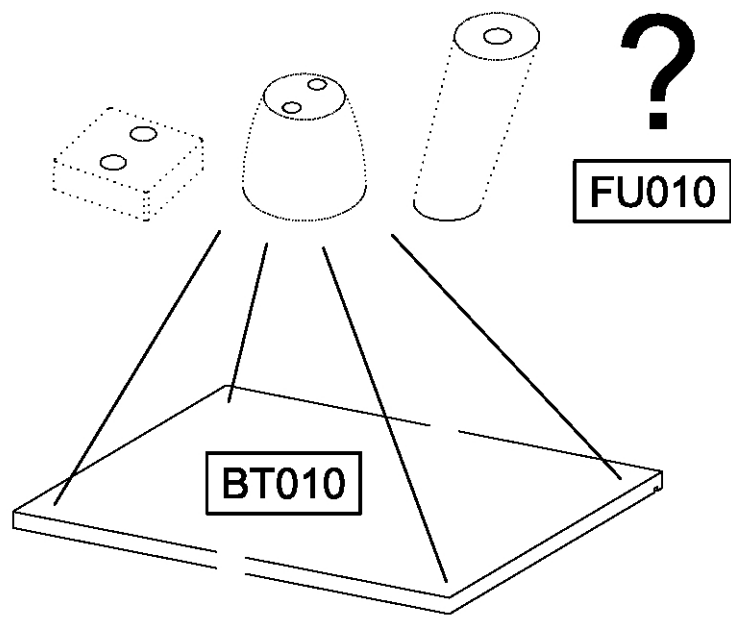
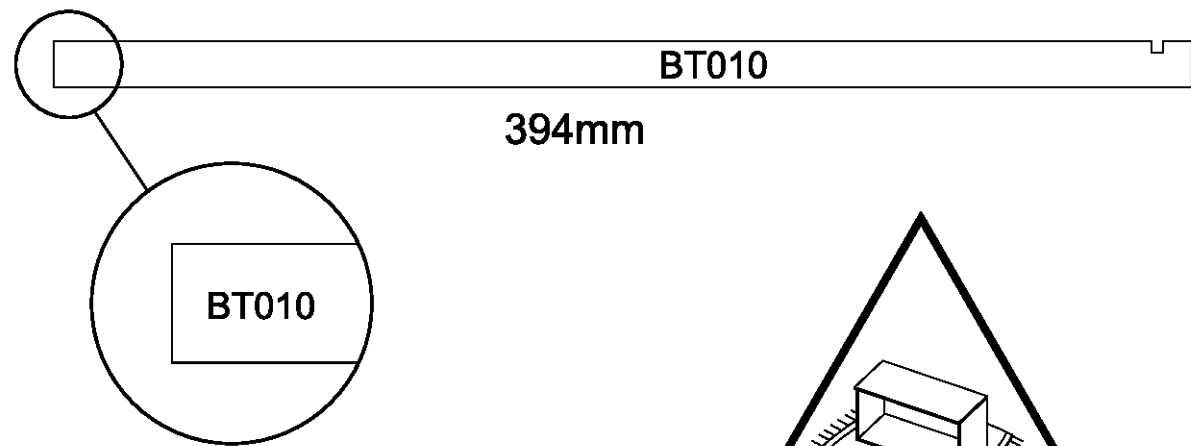
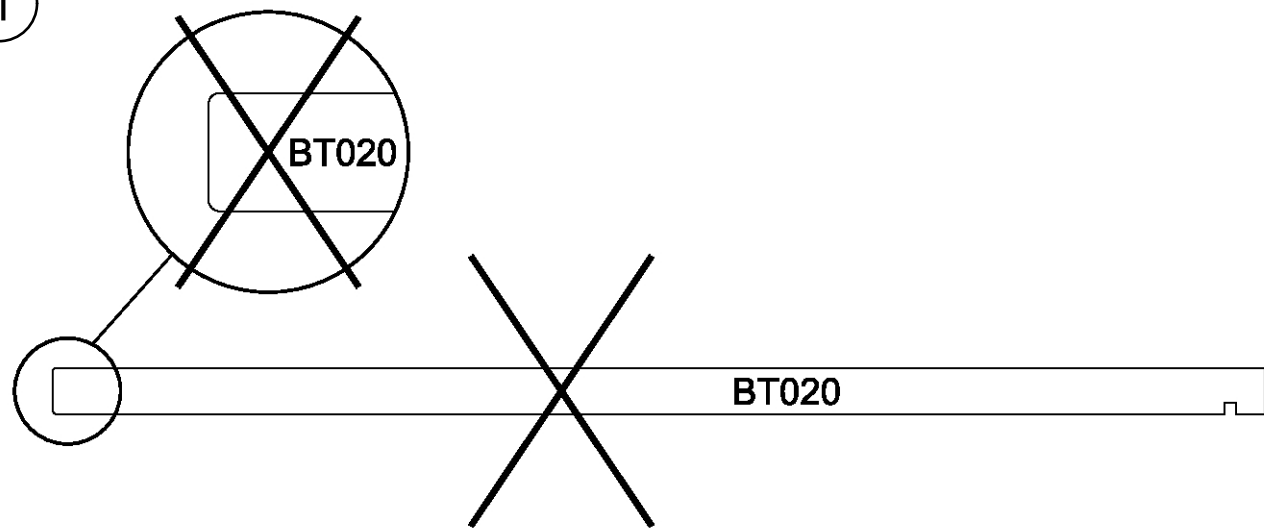
M2630_01

rauch



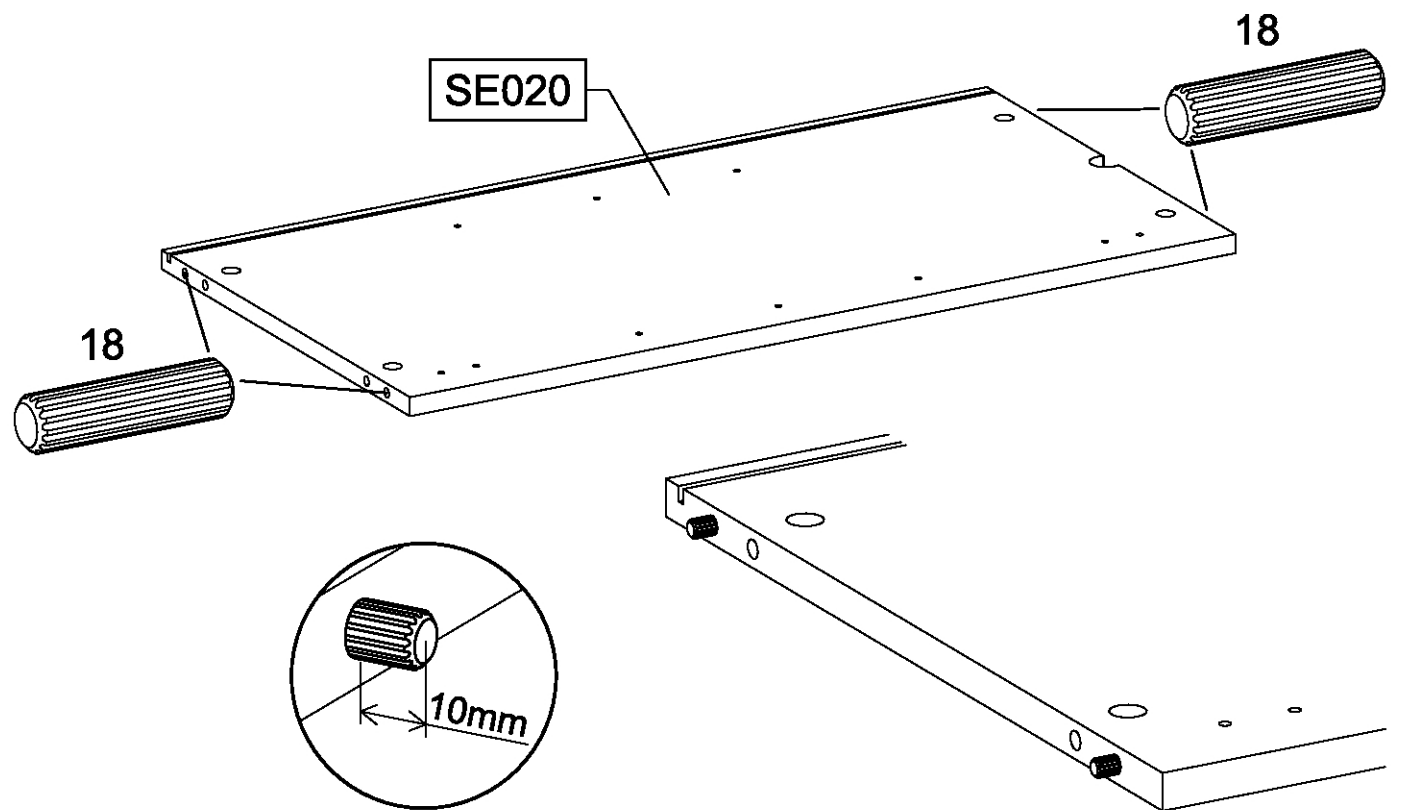
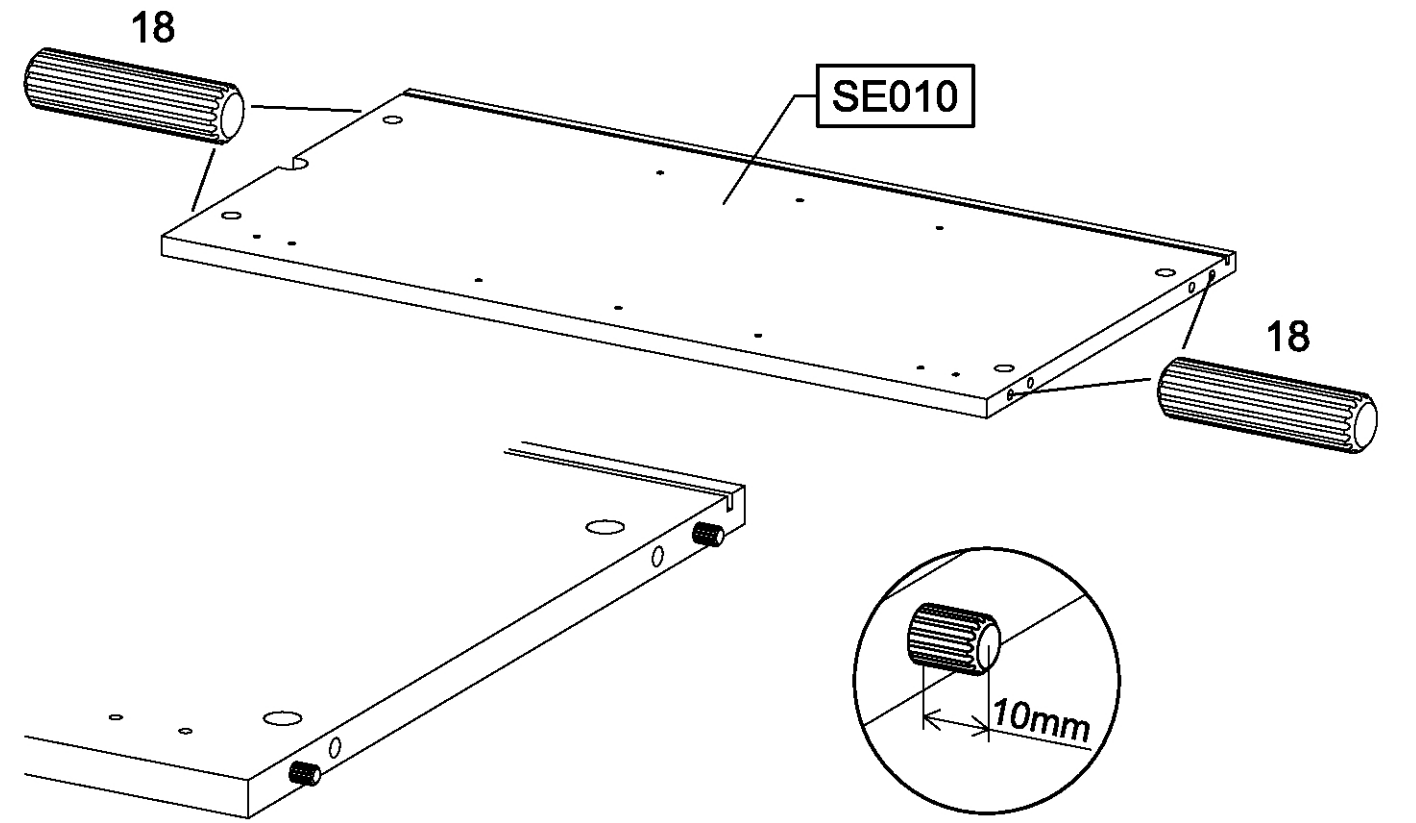
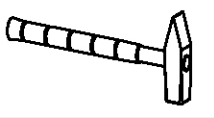


1



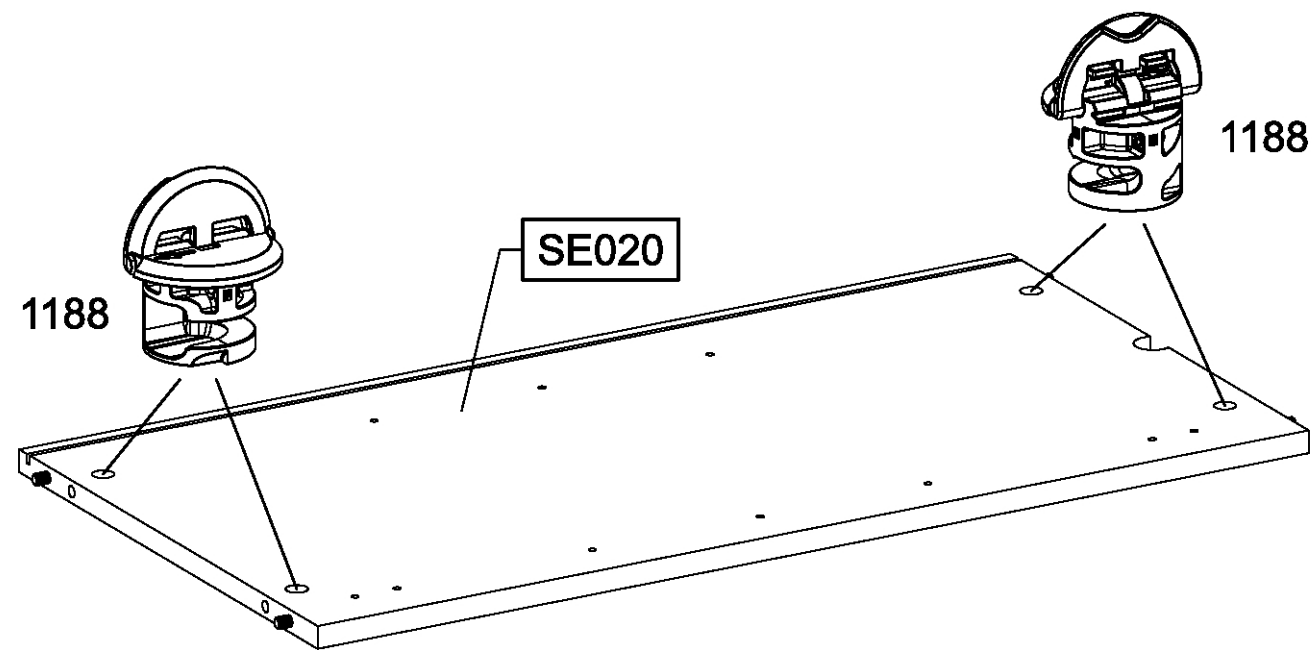
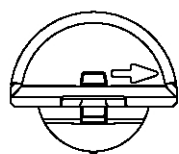
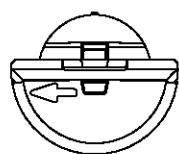
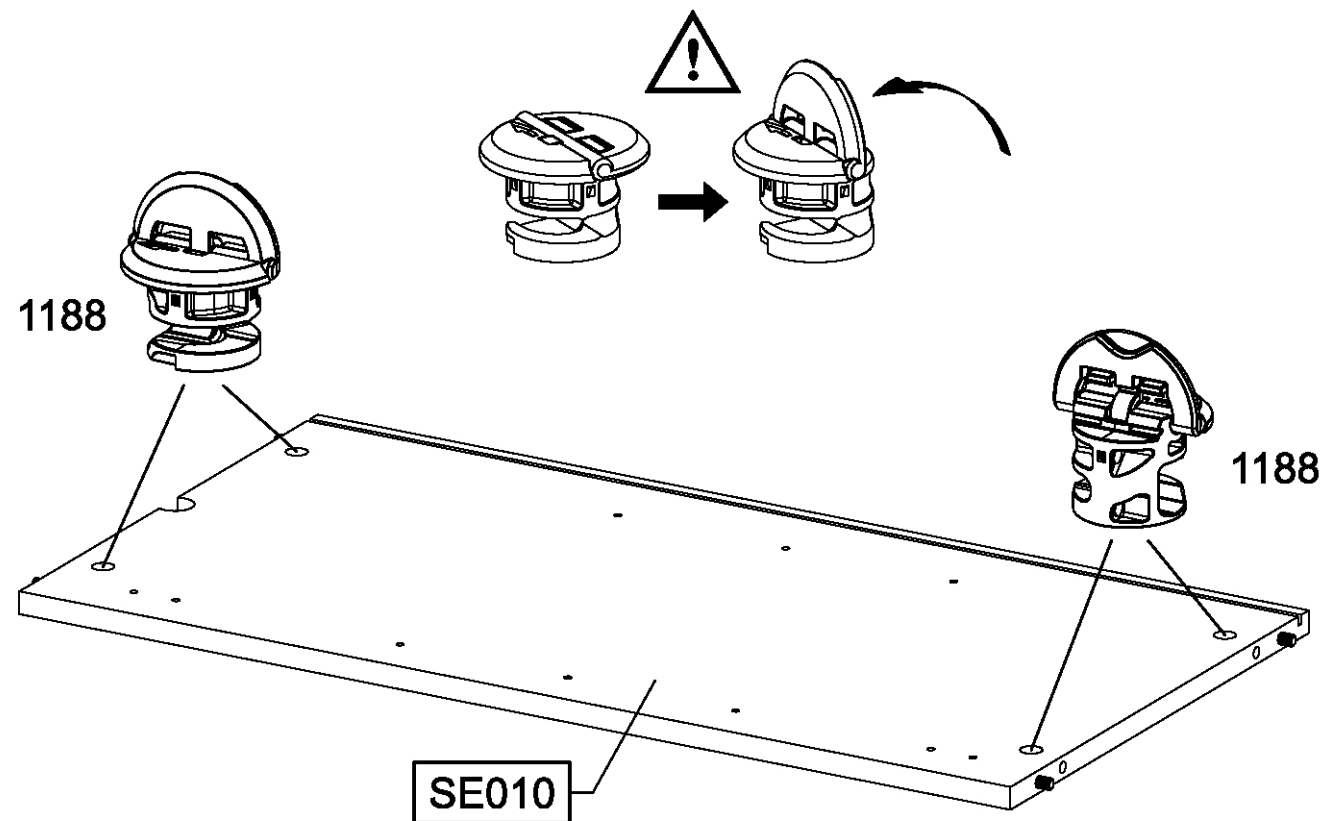
2

8x 18 8x30



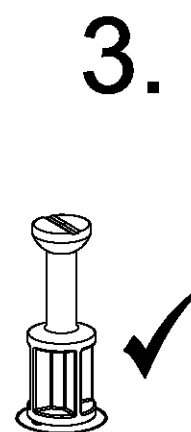
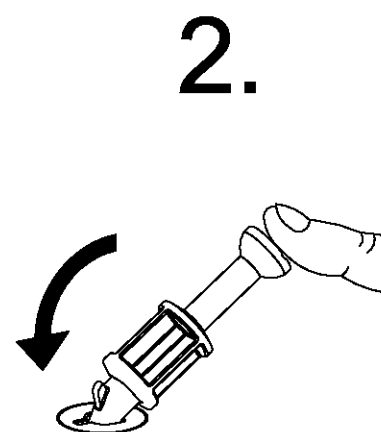
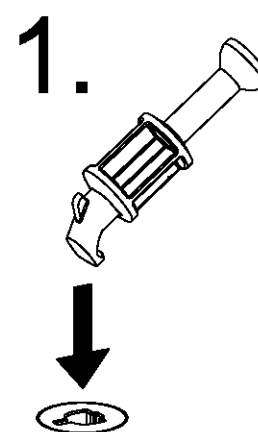
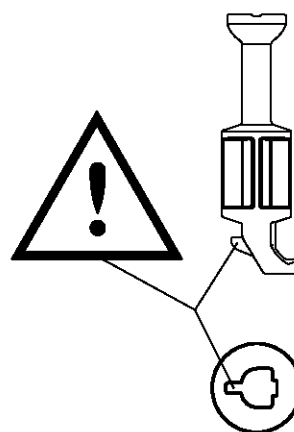
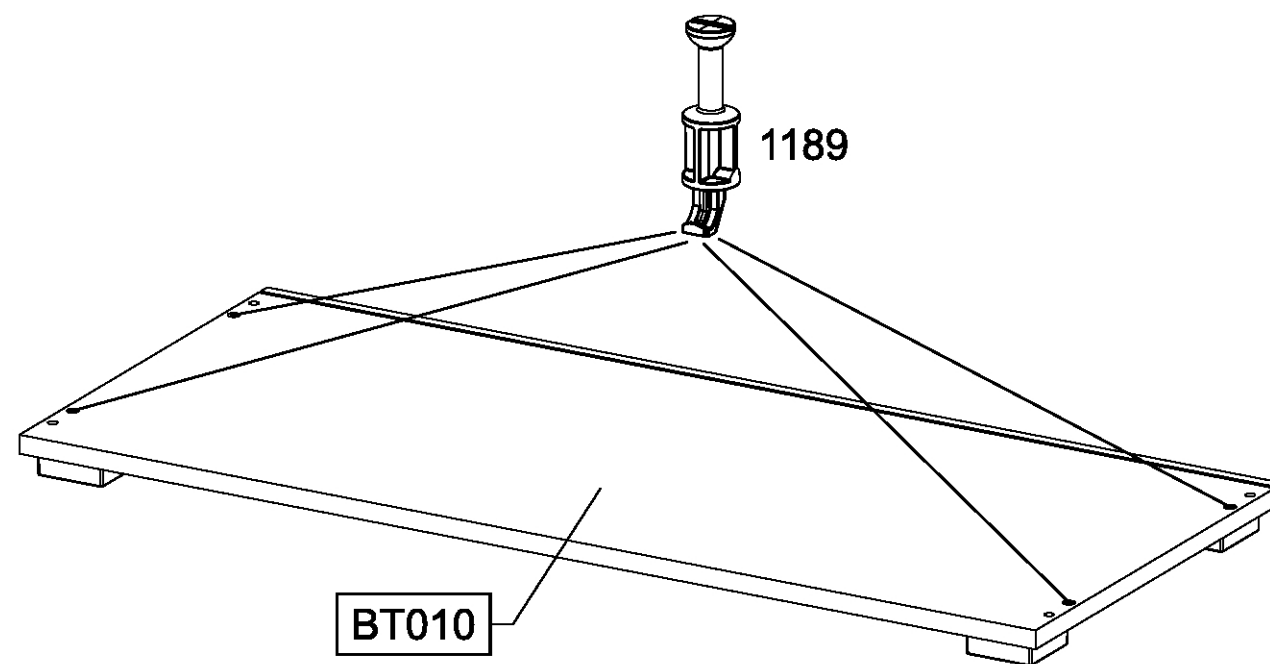
3

8x 1188

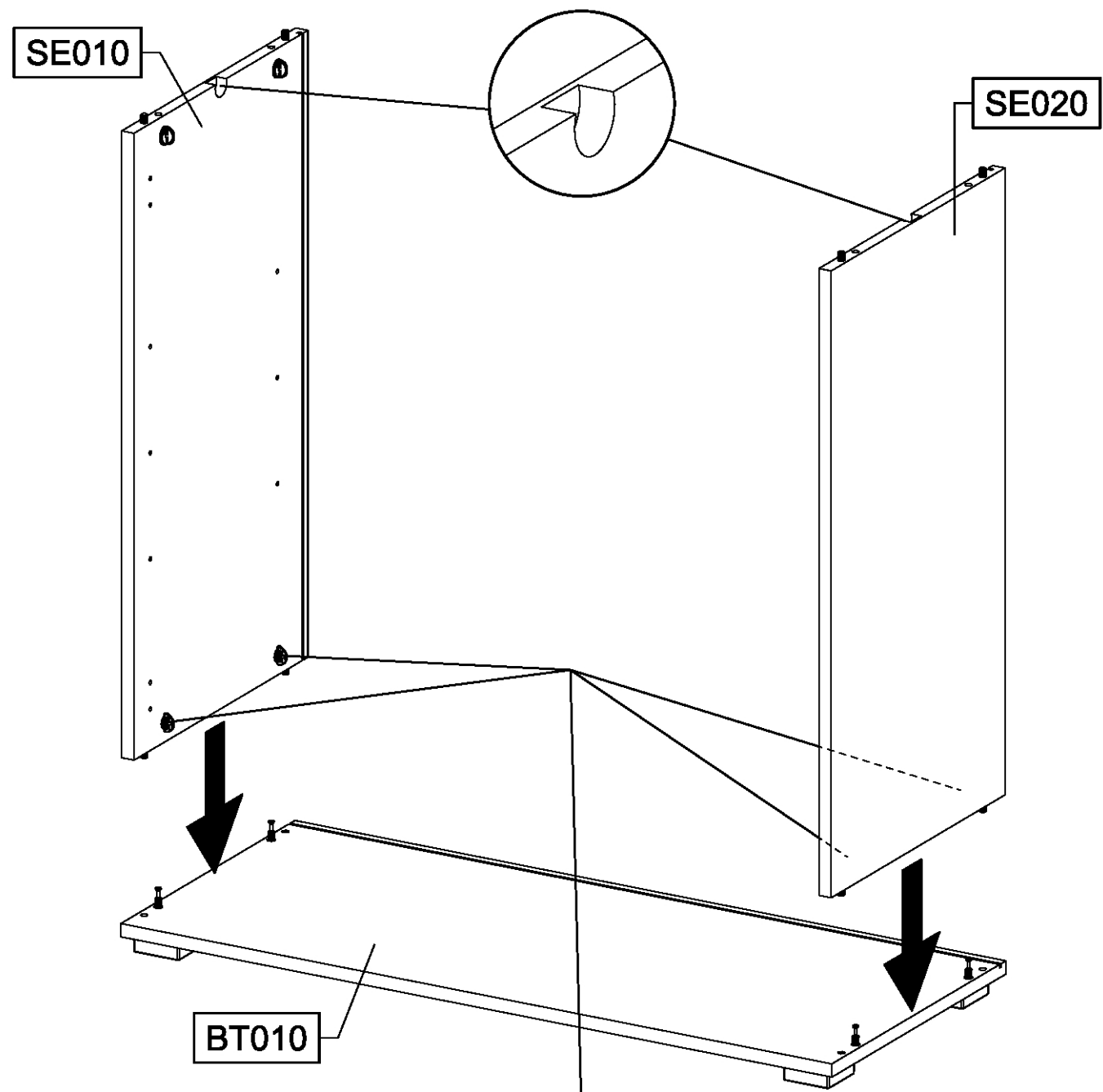


4

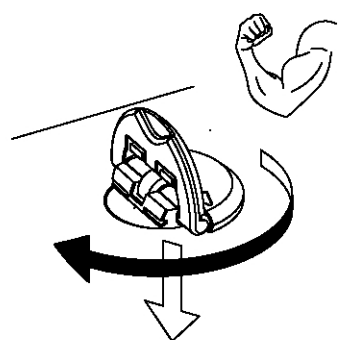
4x 1189



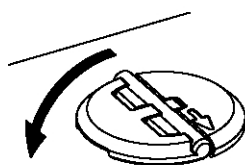
5



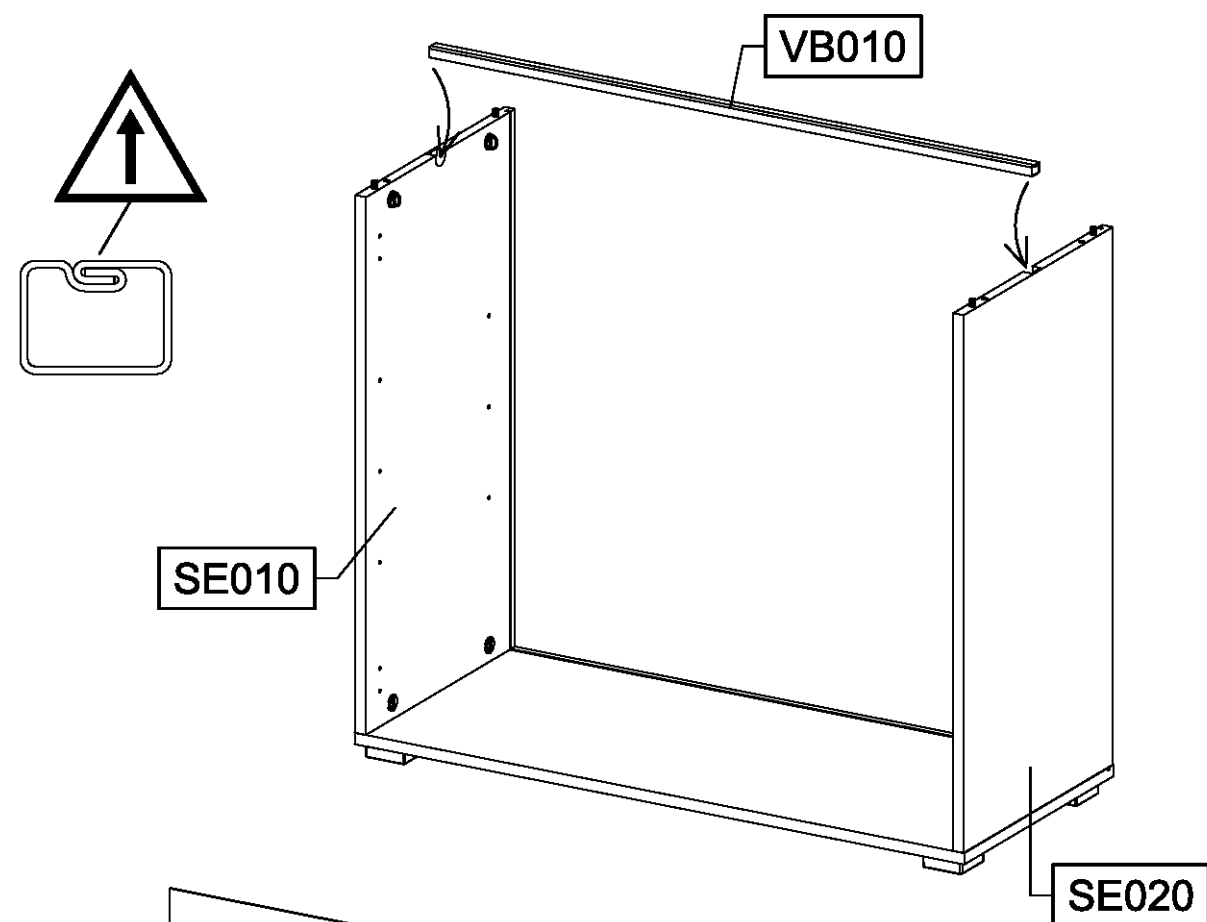
1.



2.

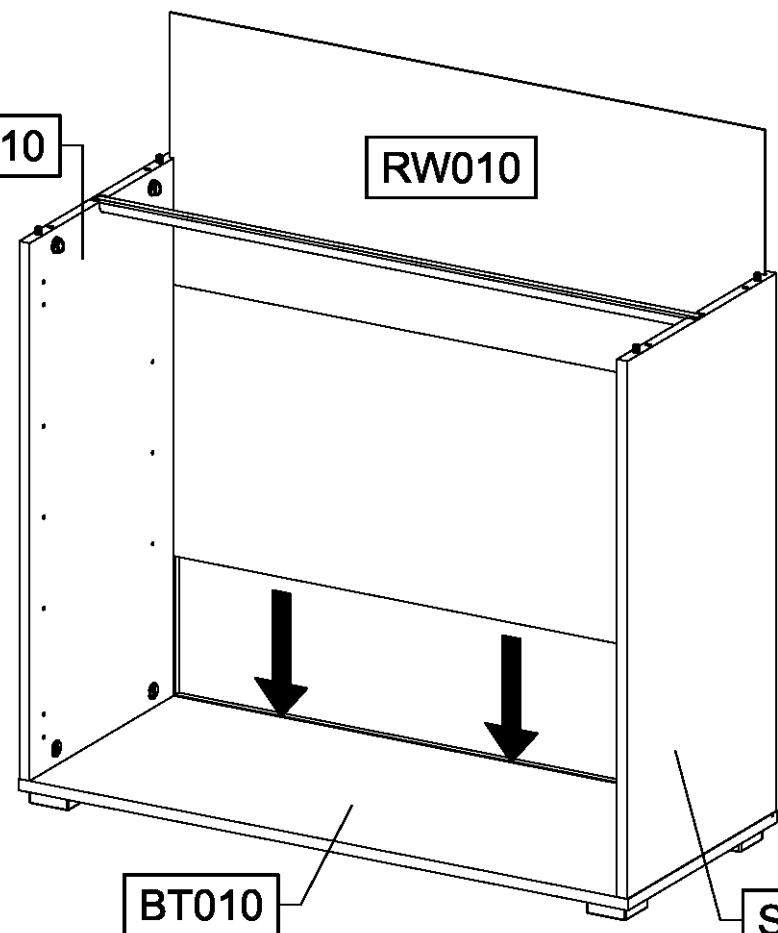


6



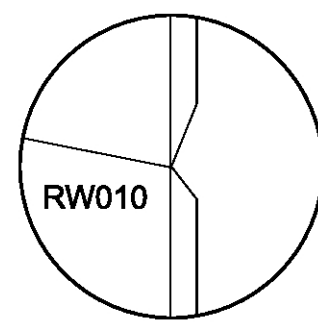
SE010

RW010



BT010

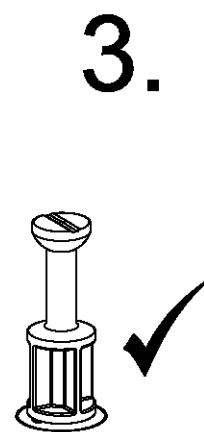
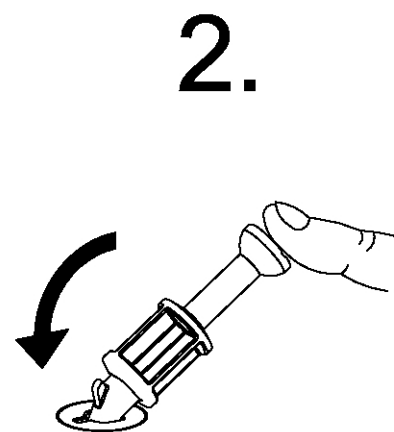
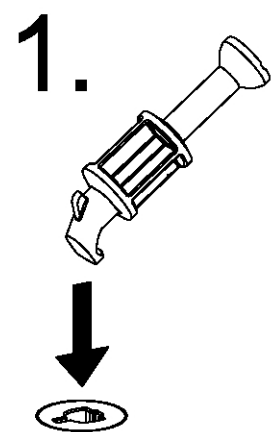
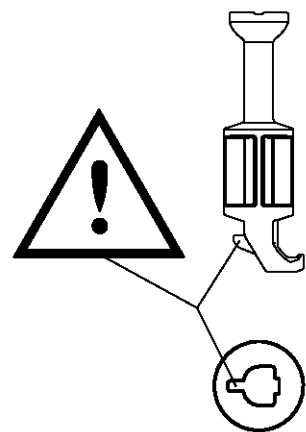
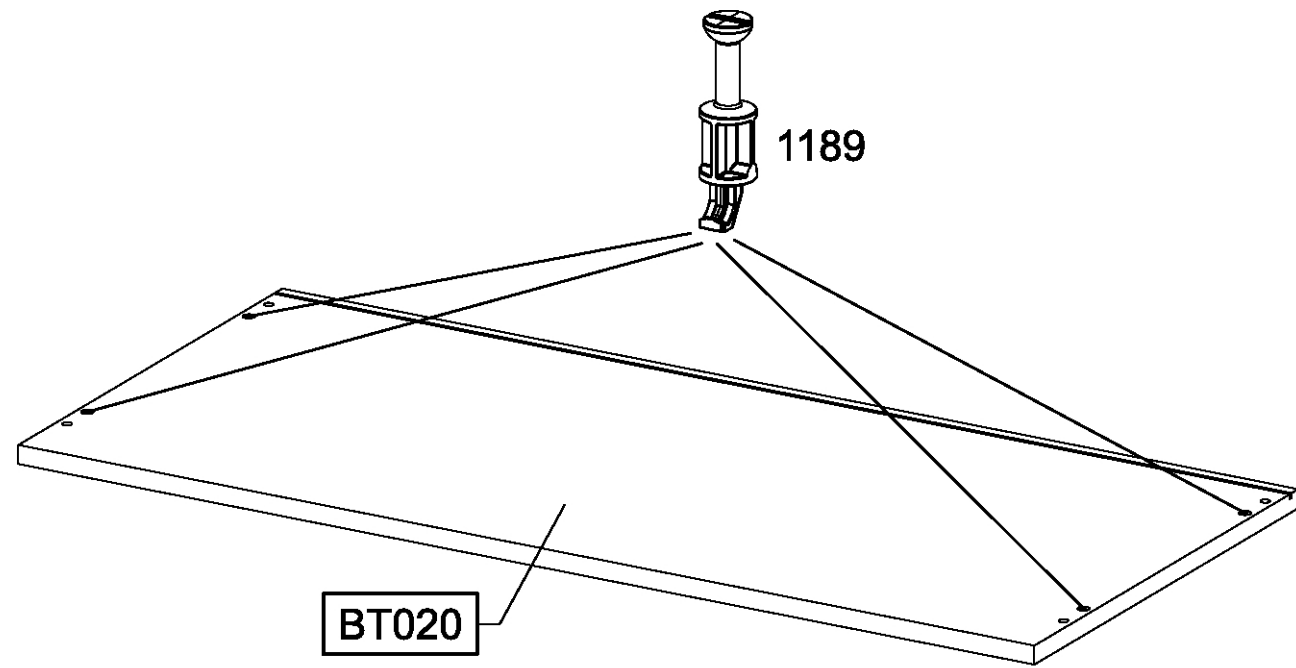
SE020



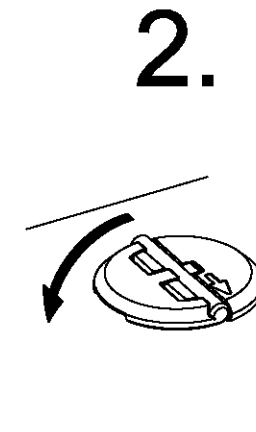
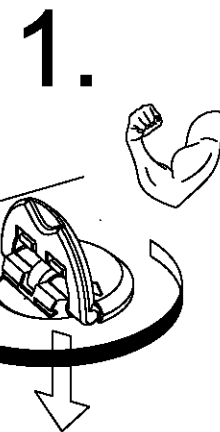
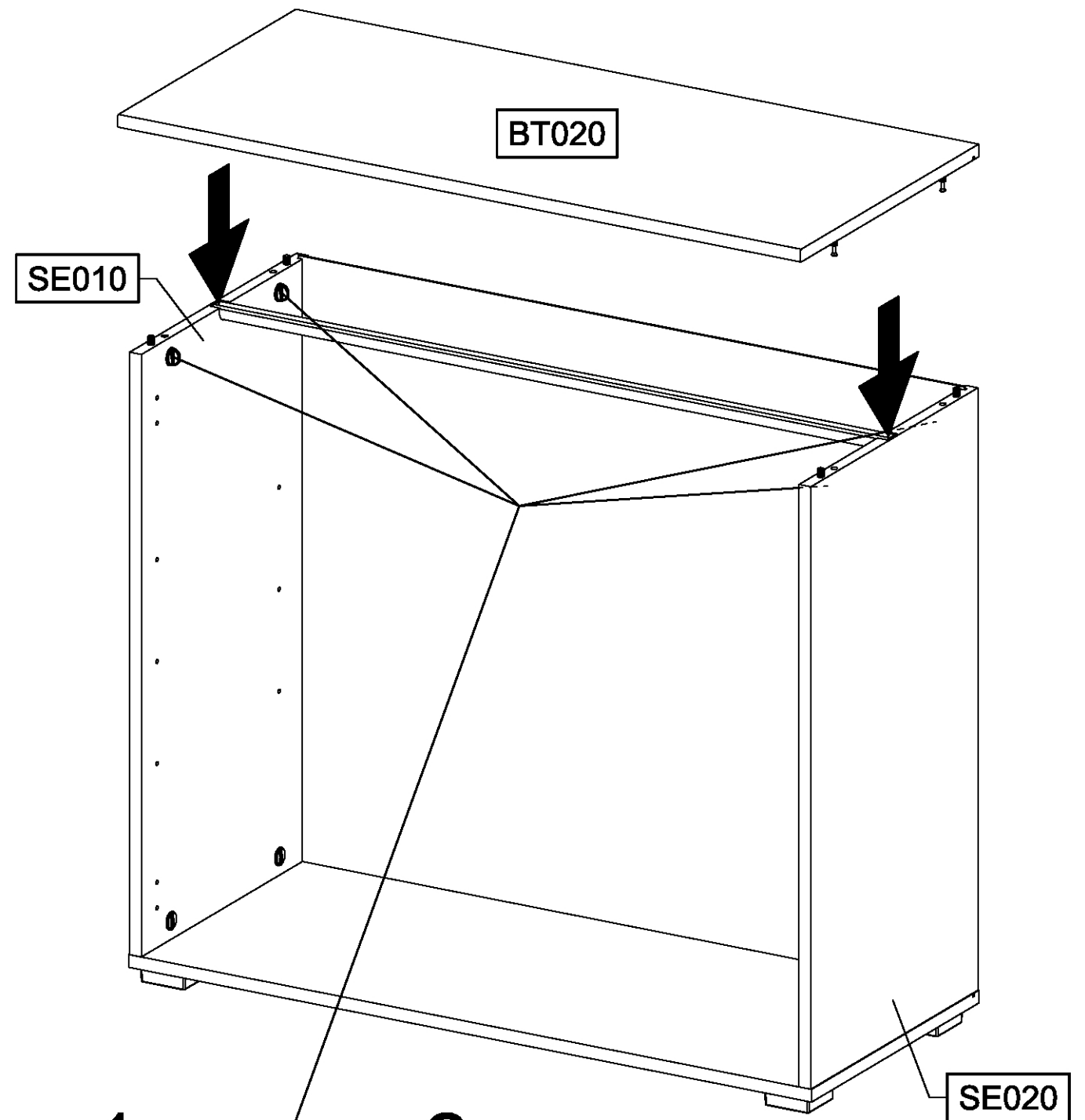
RW010

7

4x 1189



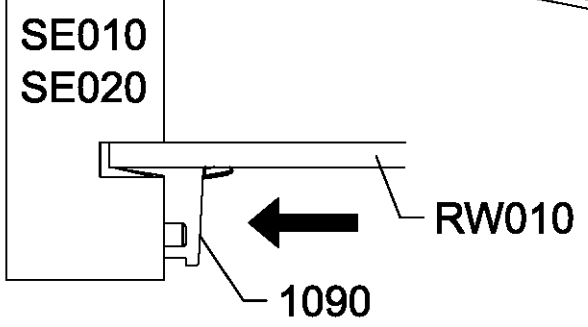
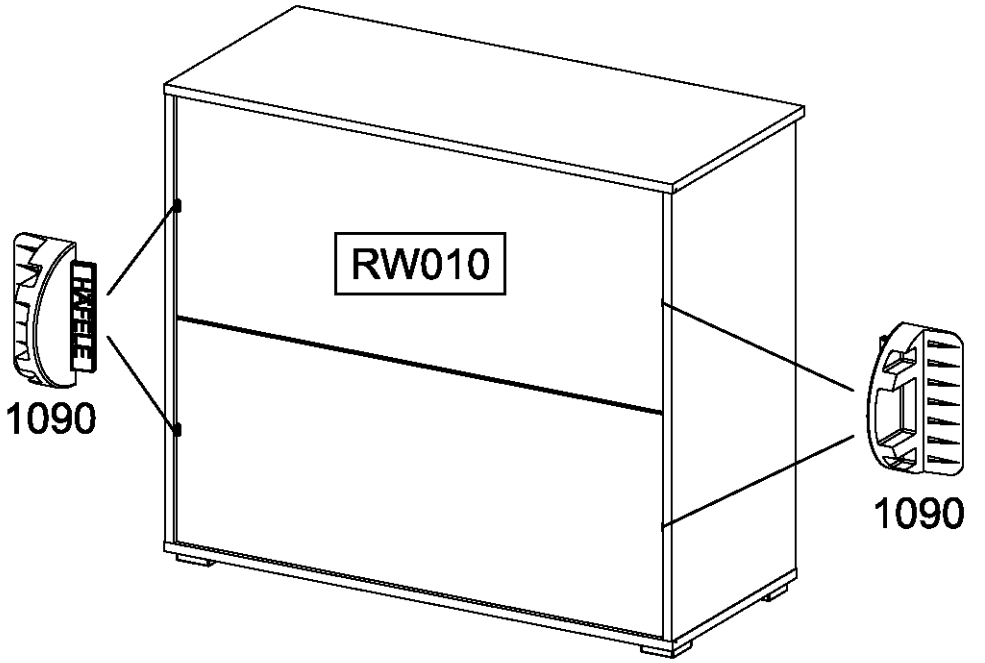
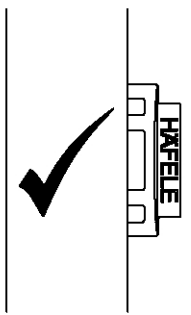
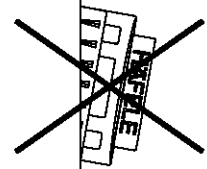
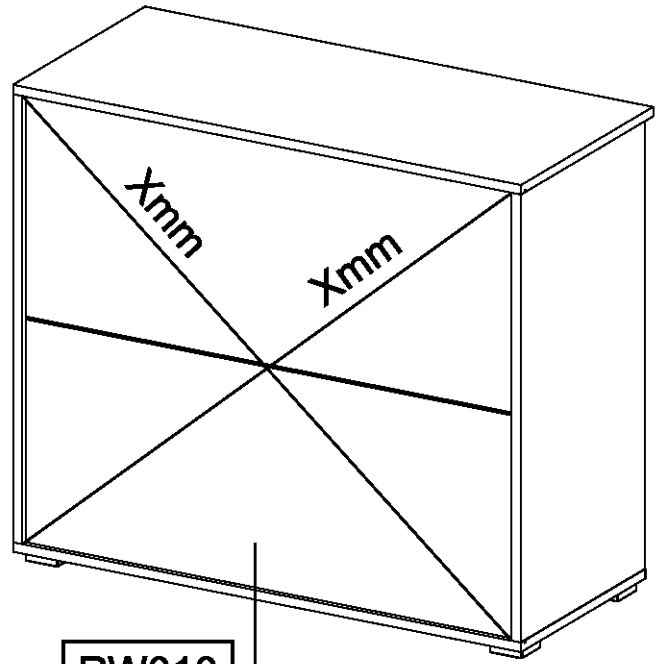
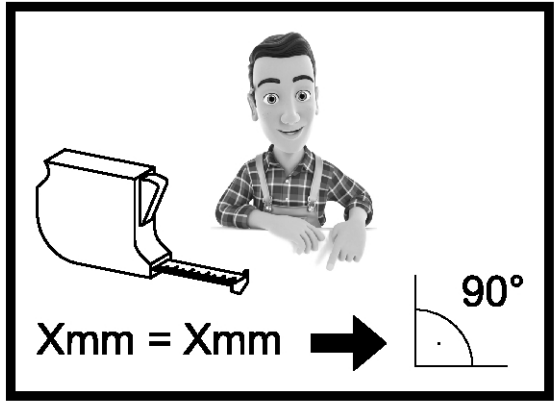
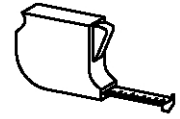
8



9

4x

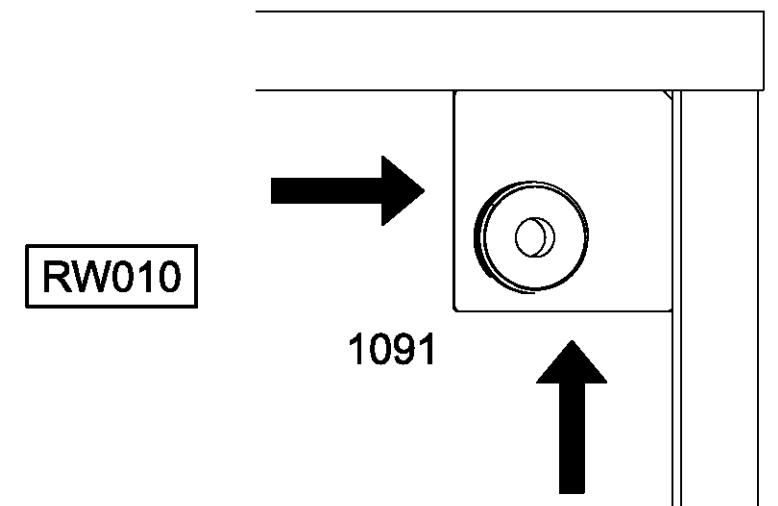
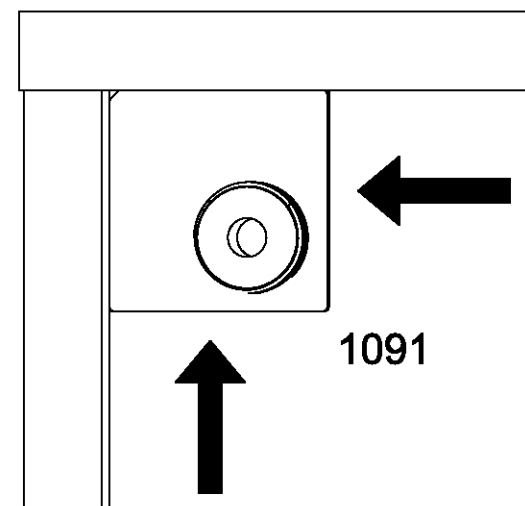
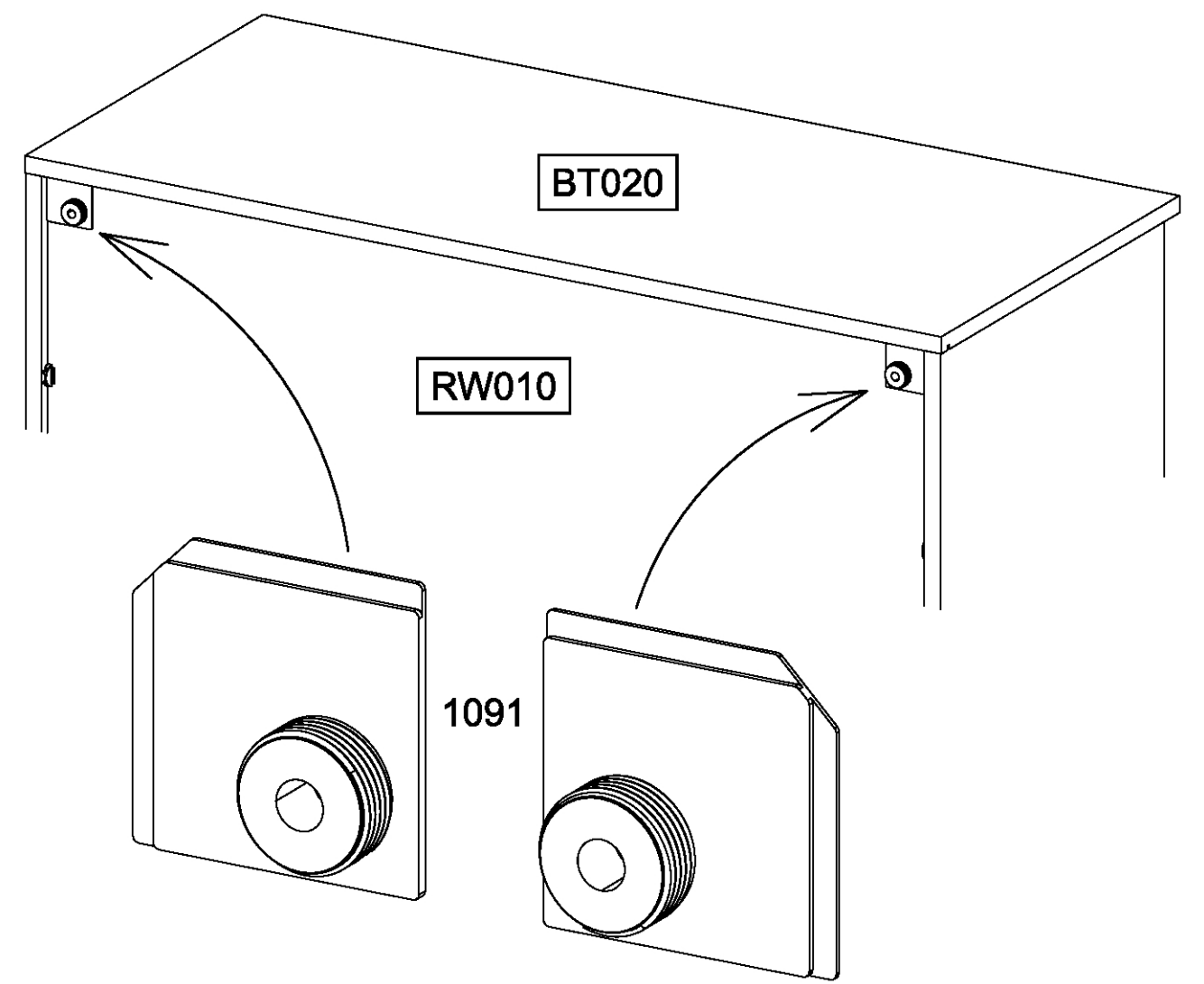
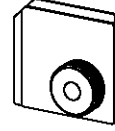
1090



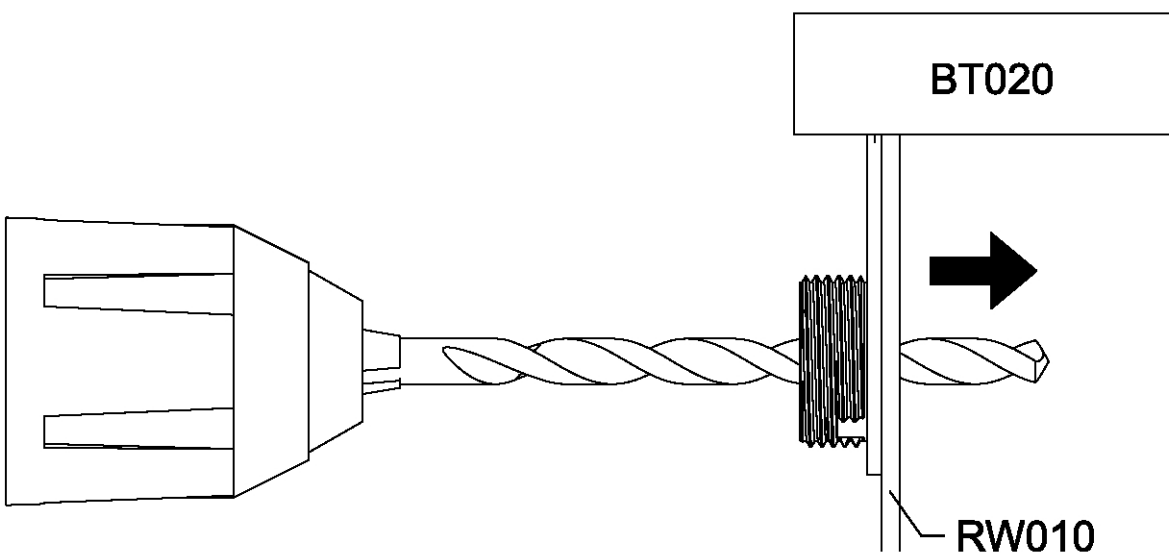
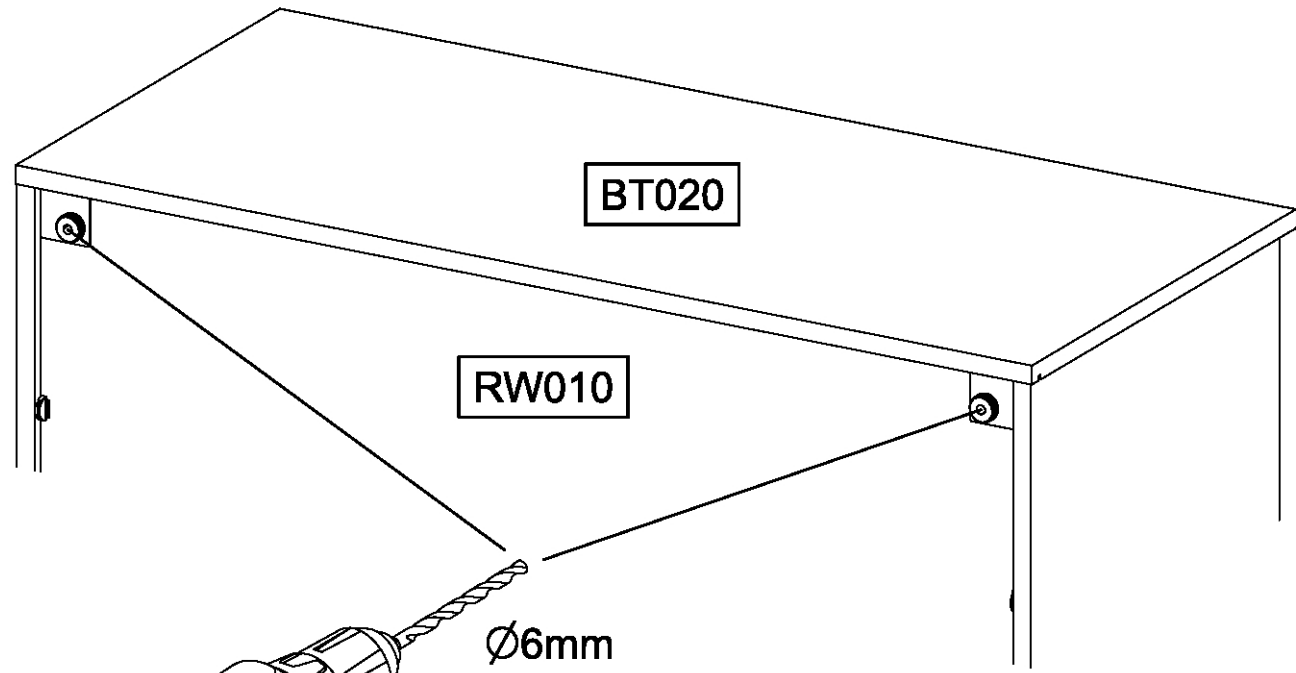
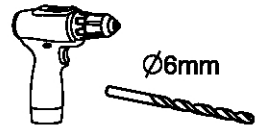
10

2x

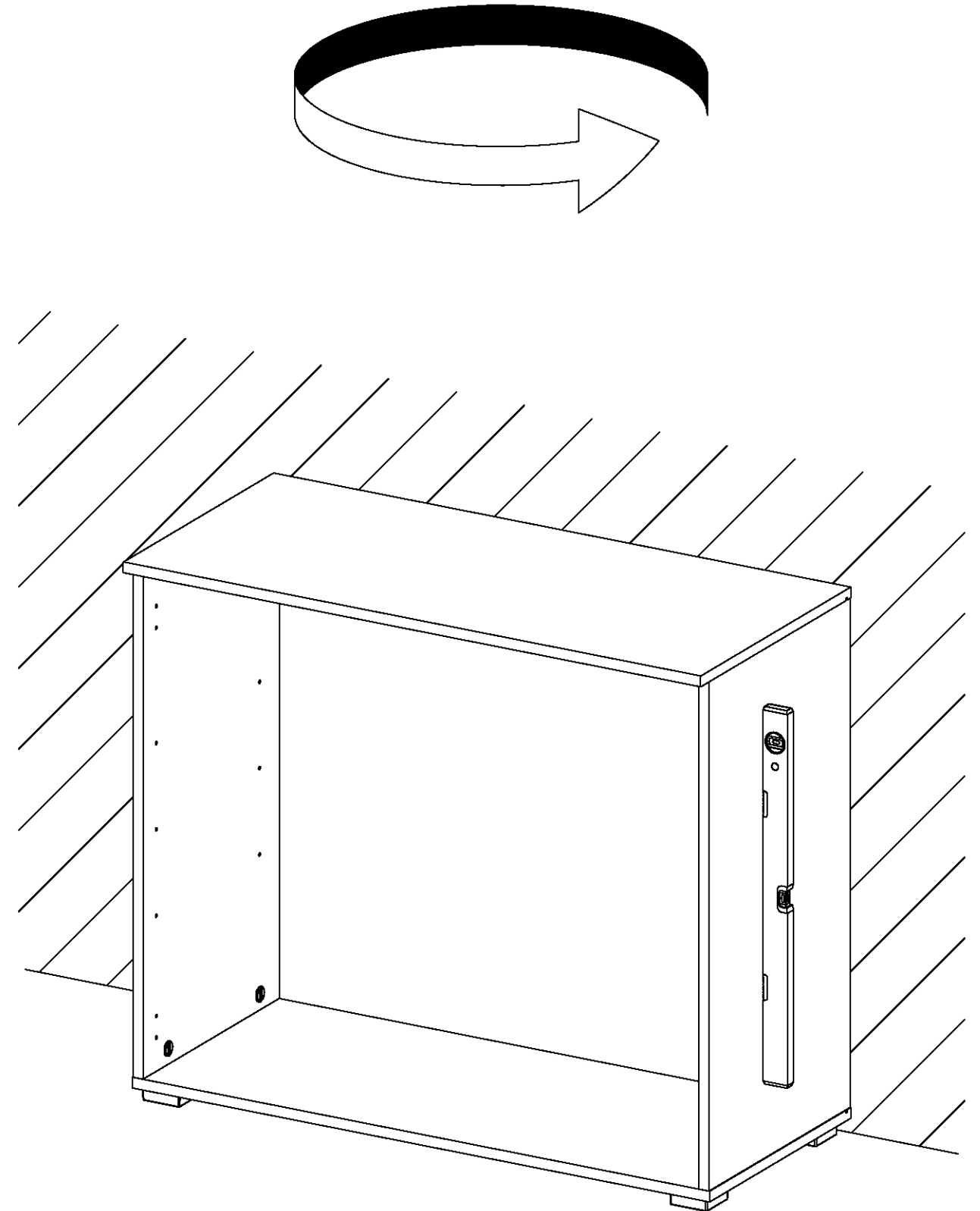
1091



11



12



13

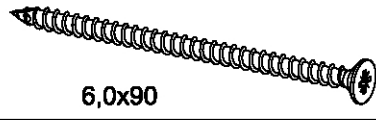
2x

1093

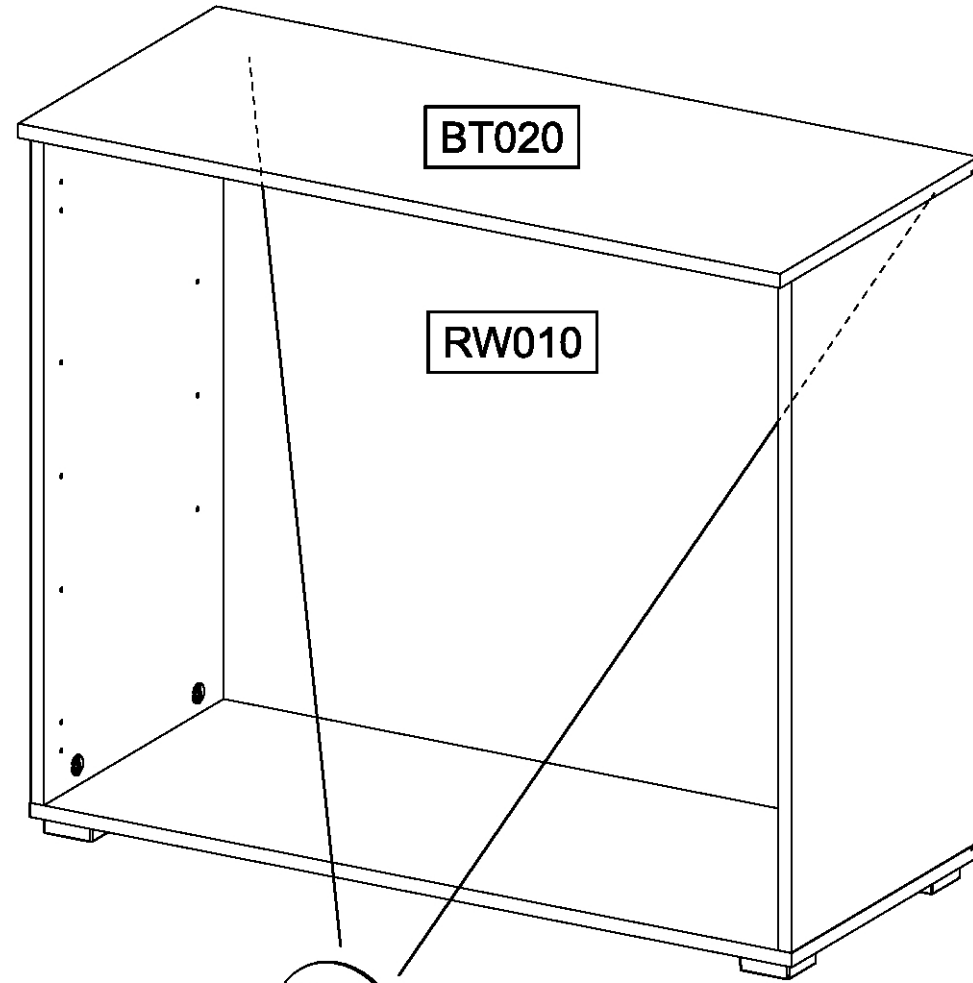
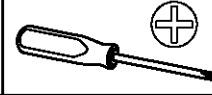


2x

1147

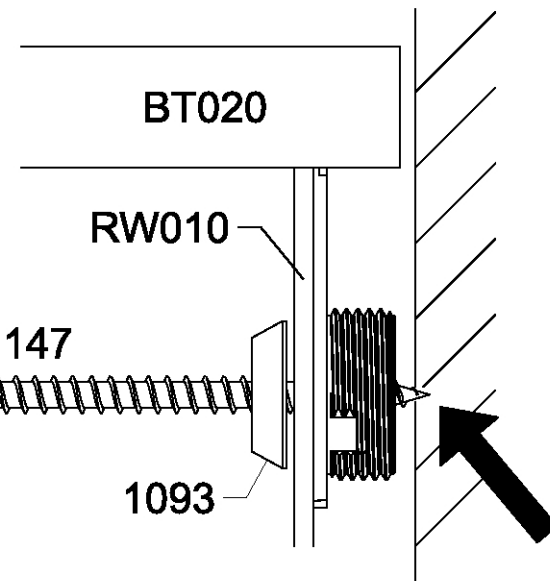


6,0x90

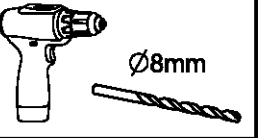


1147

1093

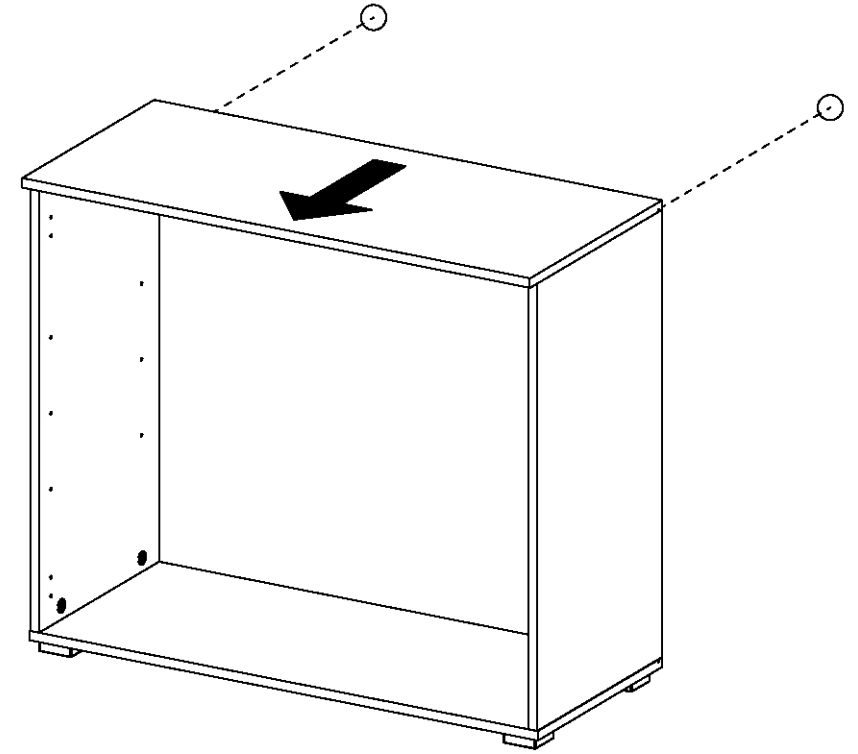


14

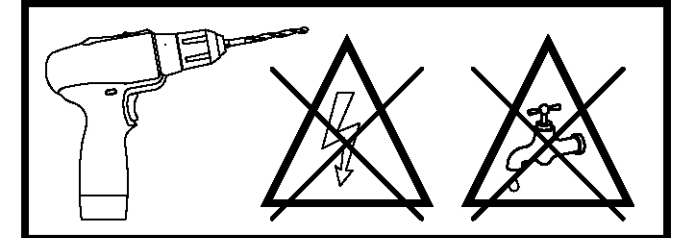
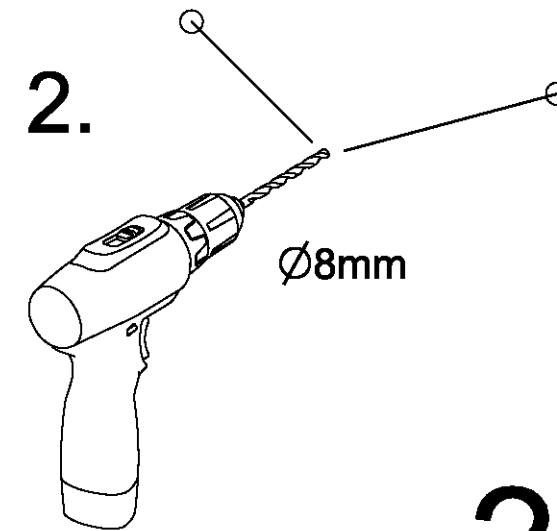


Ø8mm

1.

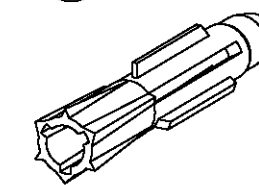
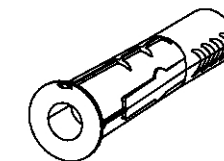


2.



?

3.

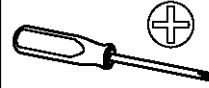
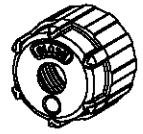


Ø8mm

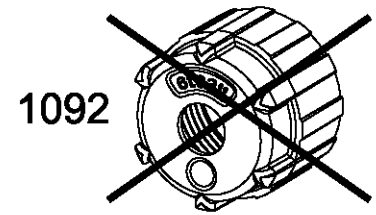
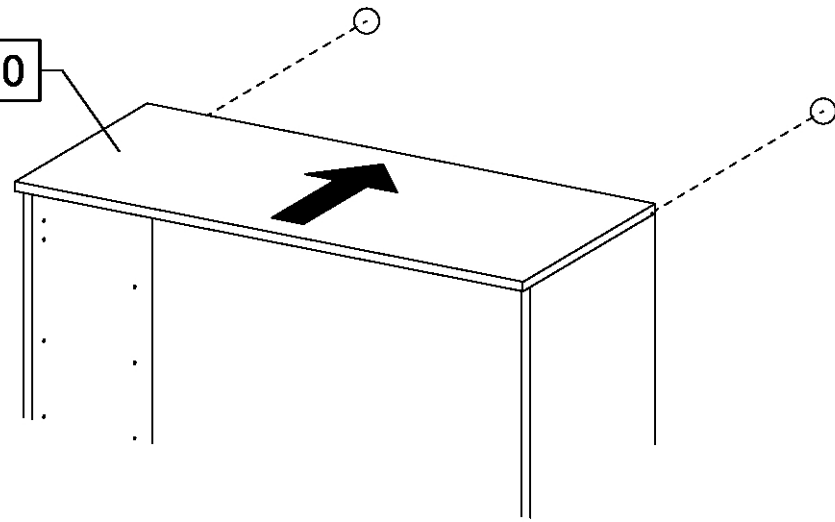
15

2x

1092



BT020



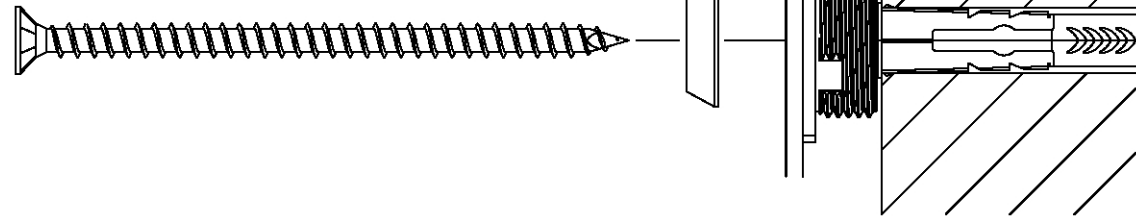
1092



BT020

1093

1147



10-15mm

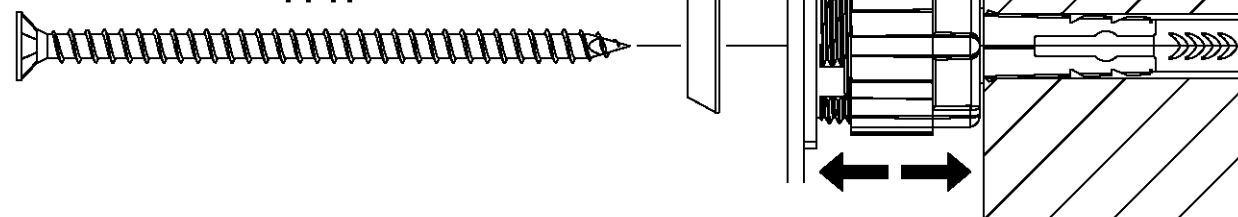


BT020

1093

1092

1147



16

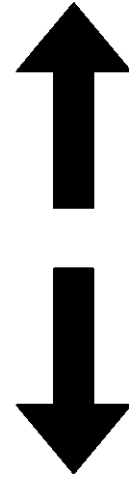
4x

1105

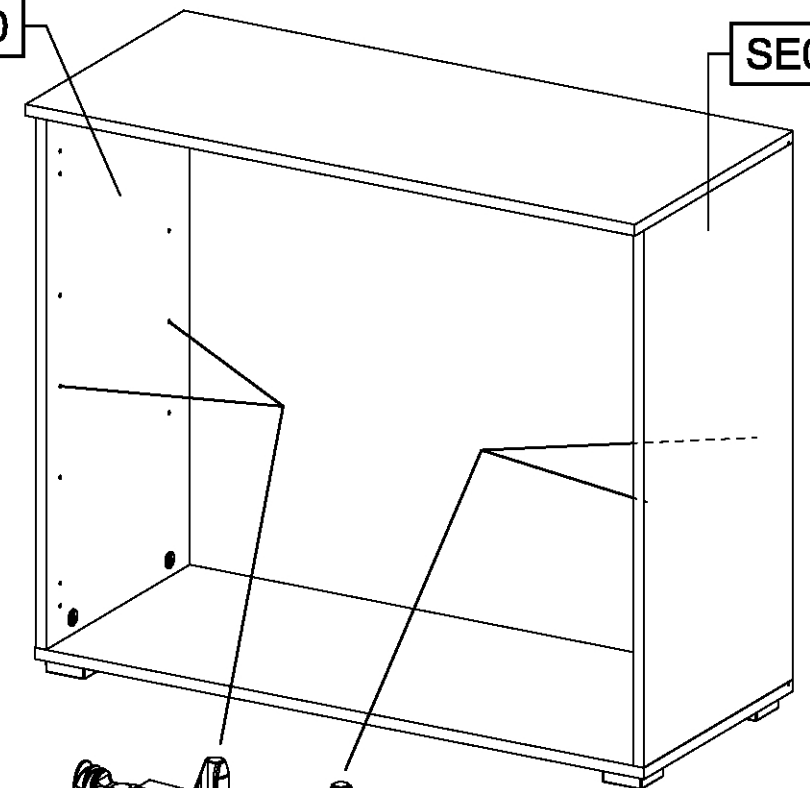


SE010

SE020



1105



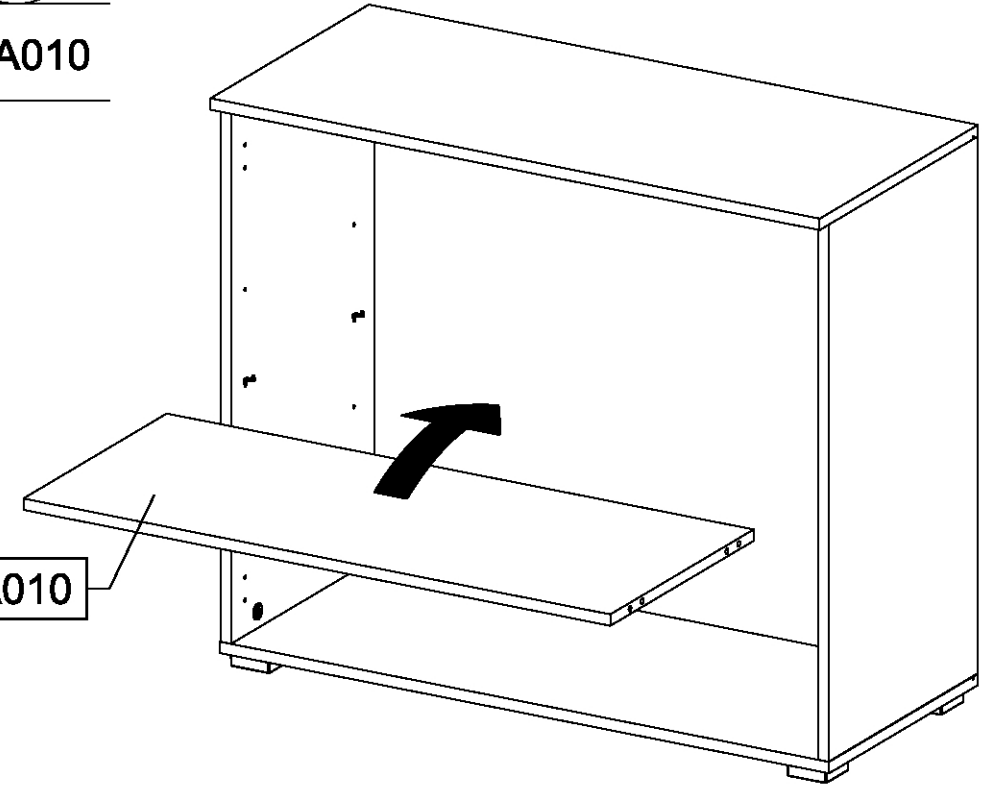
1105



WA010

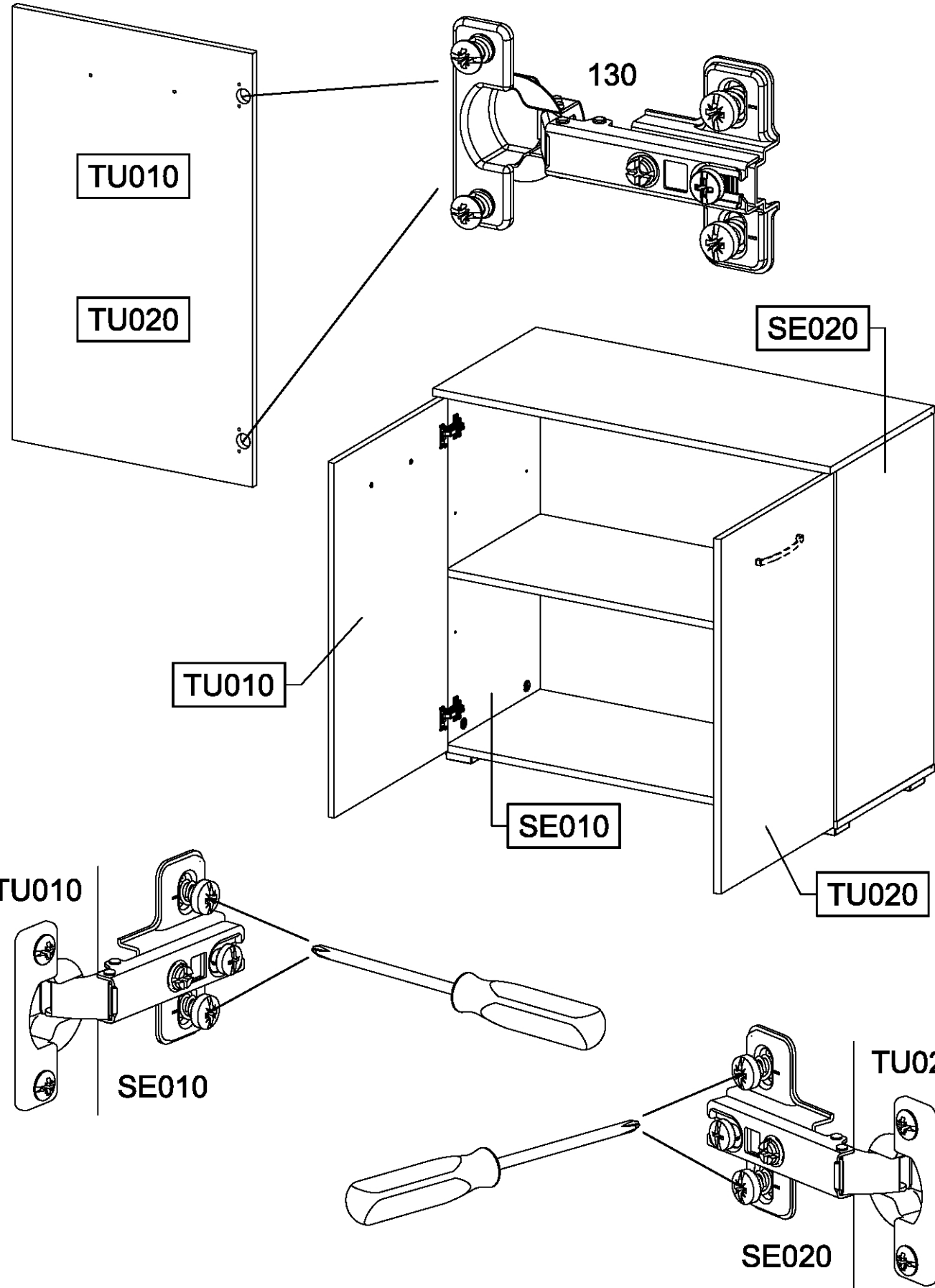
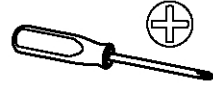
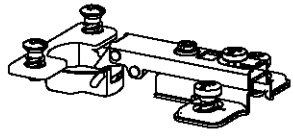
1105

WA010



17

4x 130



18

