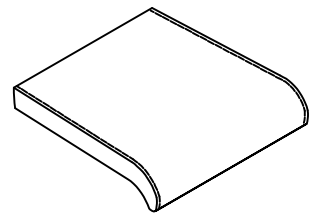
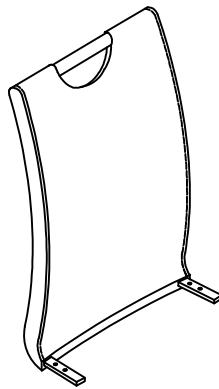
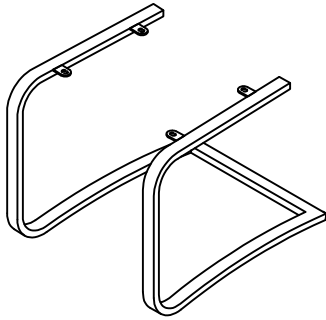


1


2

3



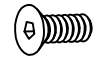
1	1x
2	1x
3	1x

A




M6x20mm
4x

B



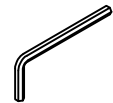
M6x12mm
4x

C



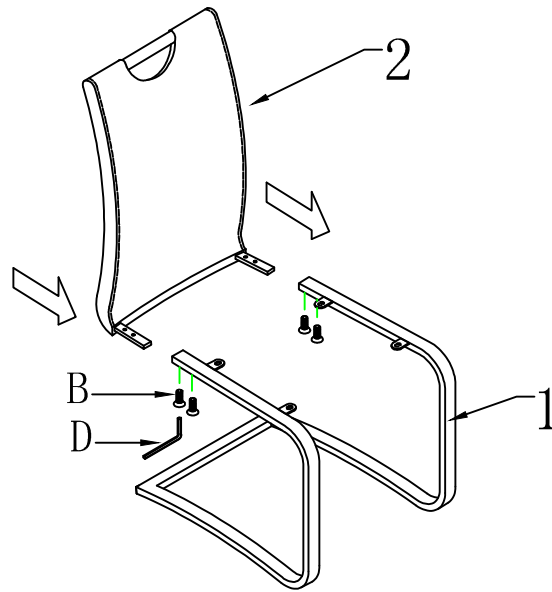
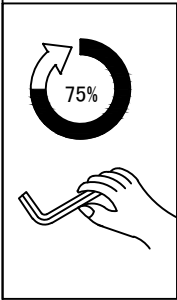
4mm
4x

D

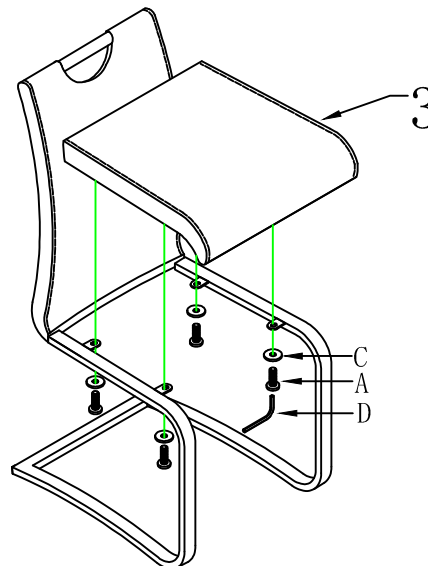
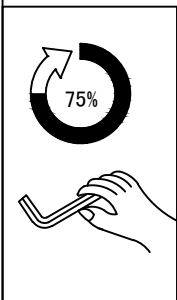


4mm
1x

1.



2.



3.

