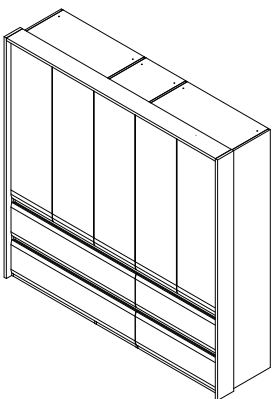
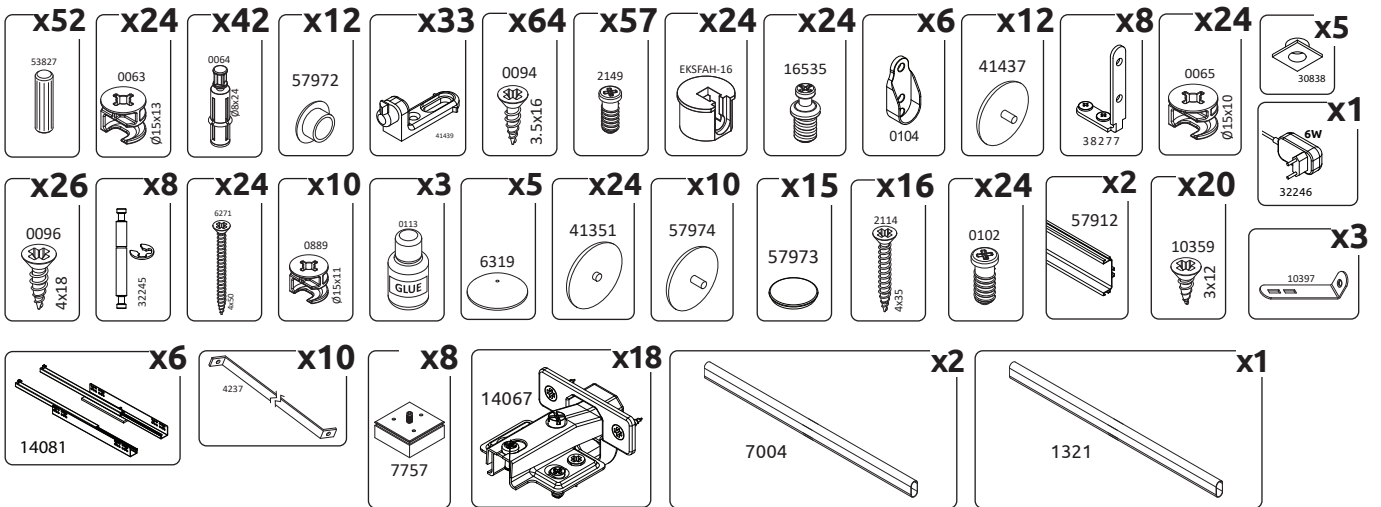
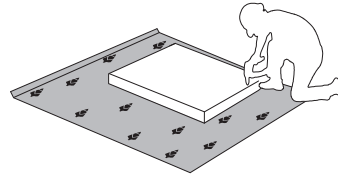
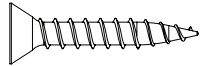
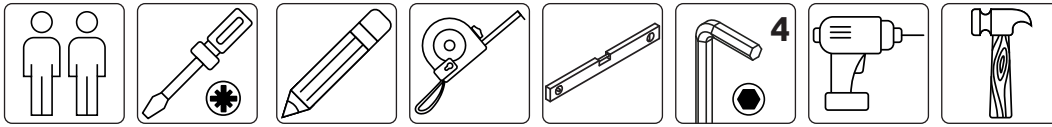
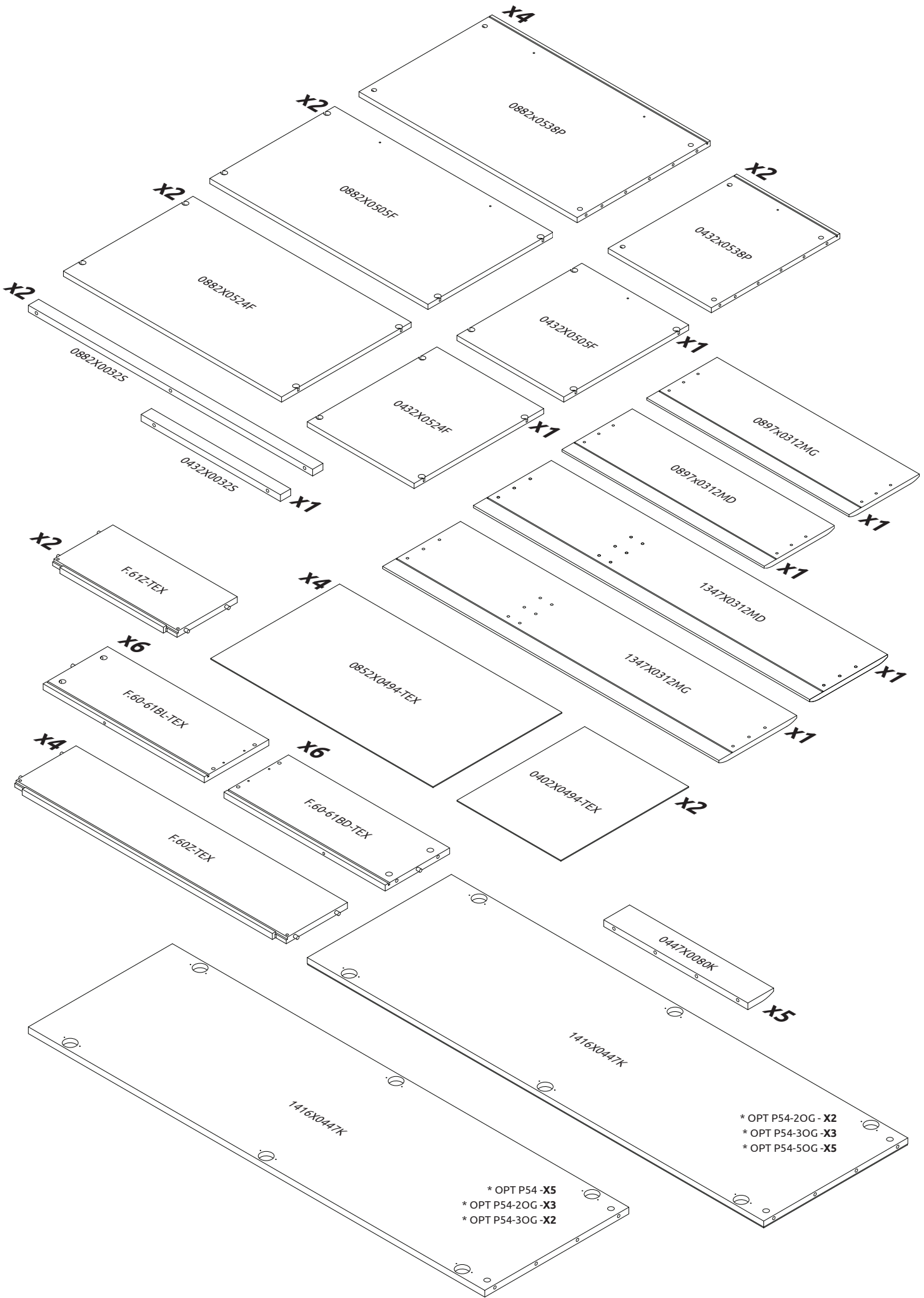




IMPORTANT - READ CAREFULLY - RETAIN FOR FUTURE REFERENCE  
WICHTIG - SORGFÄLTIG LESEN UND AUFBEWAHREN

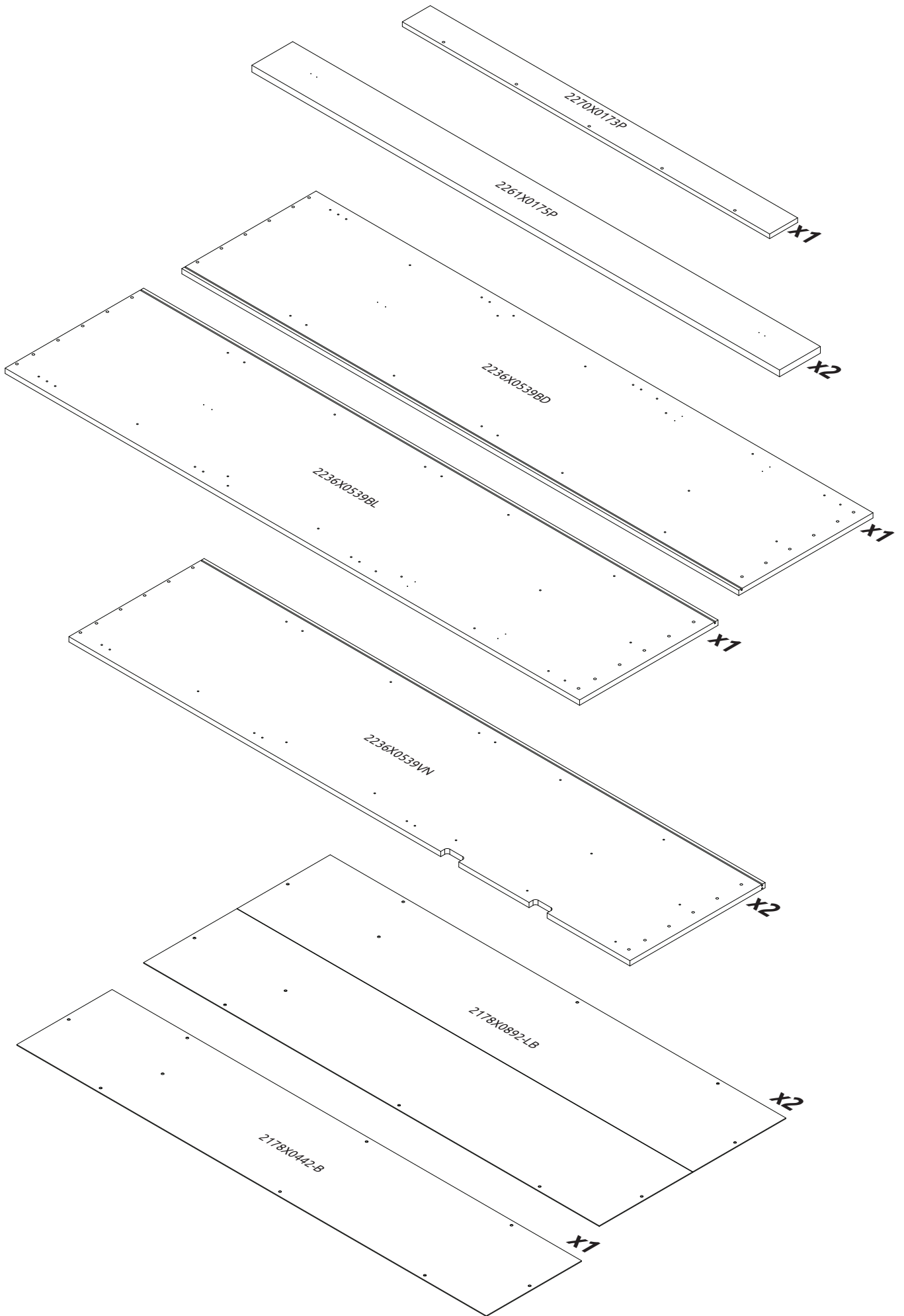


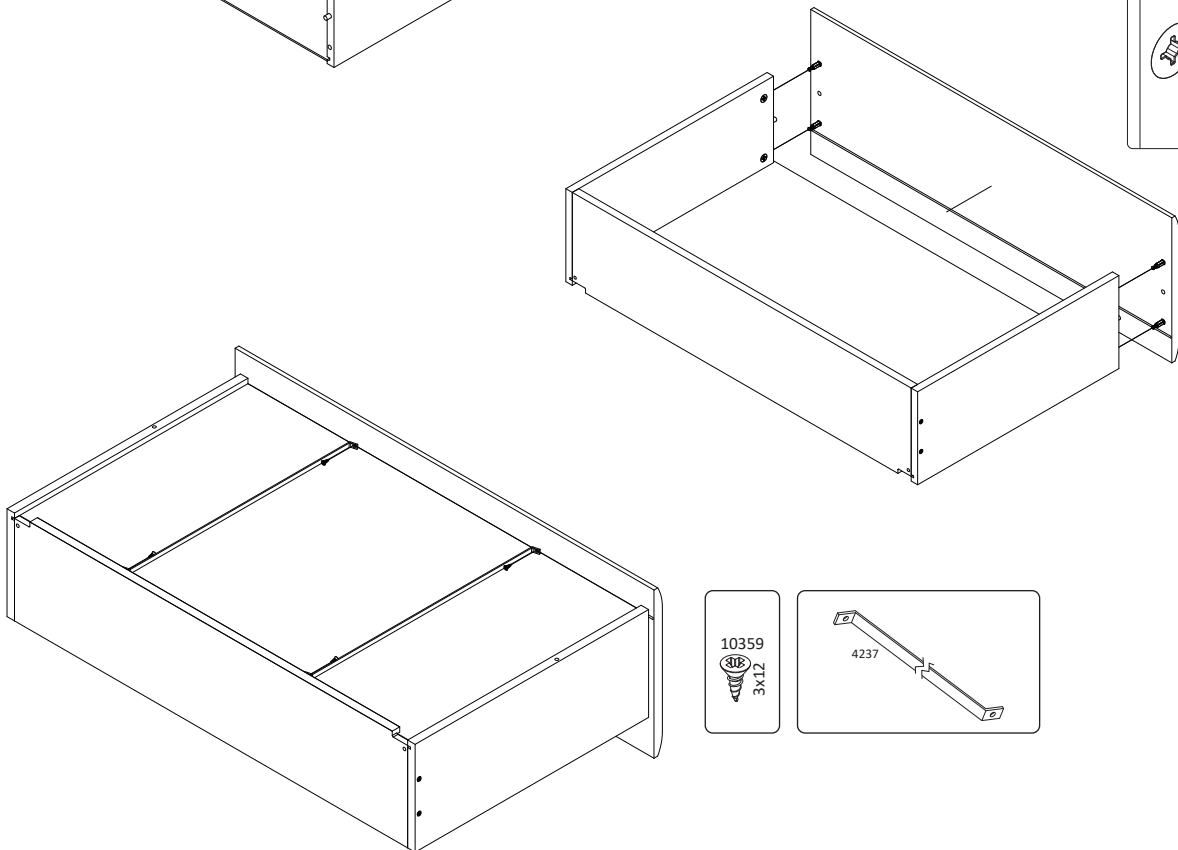
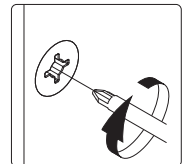
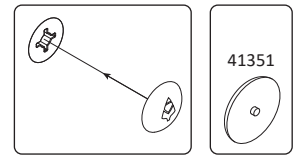
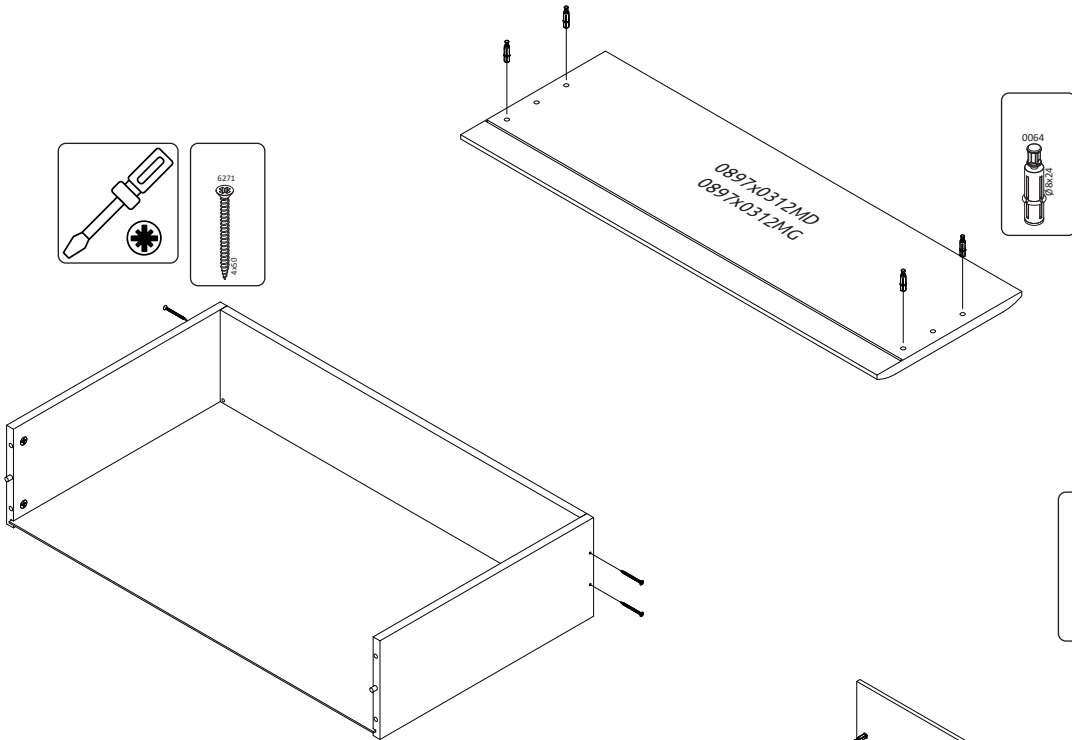
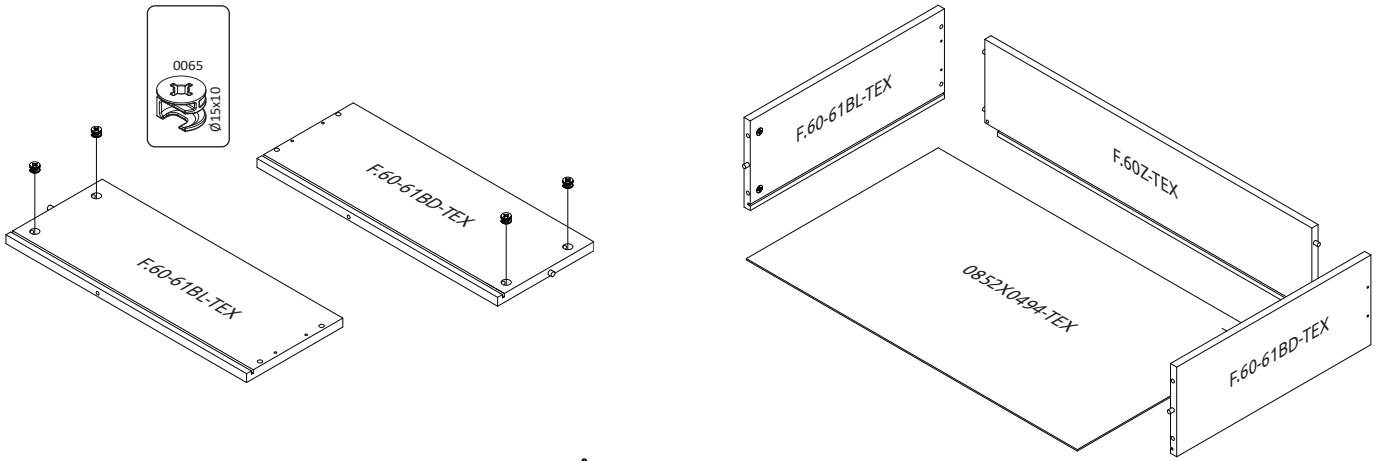
**P54-IC**  
LWH - 2318x597x2261



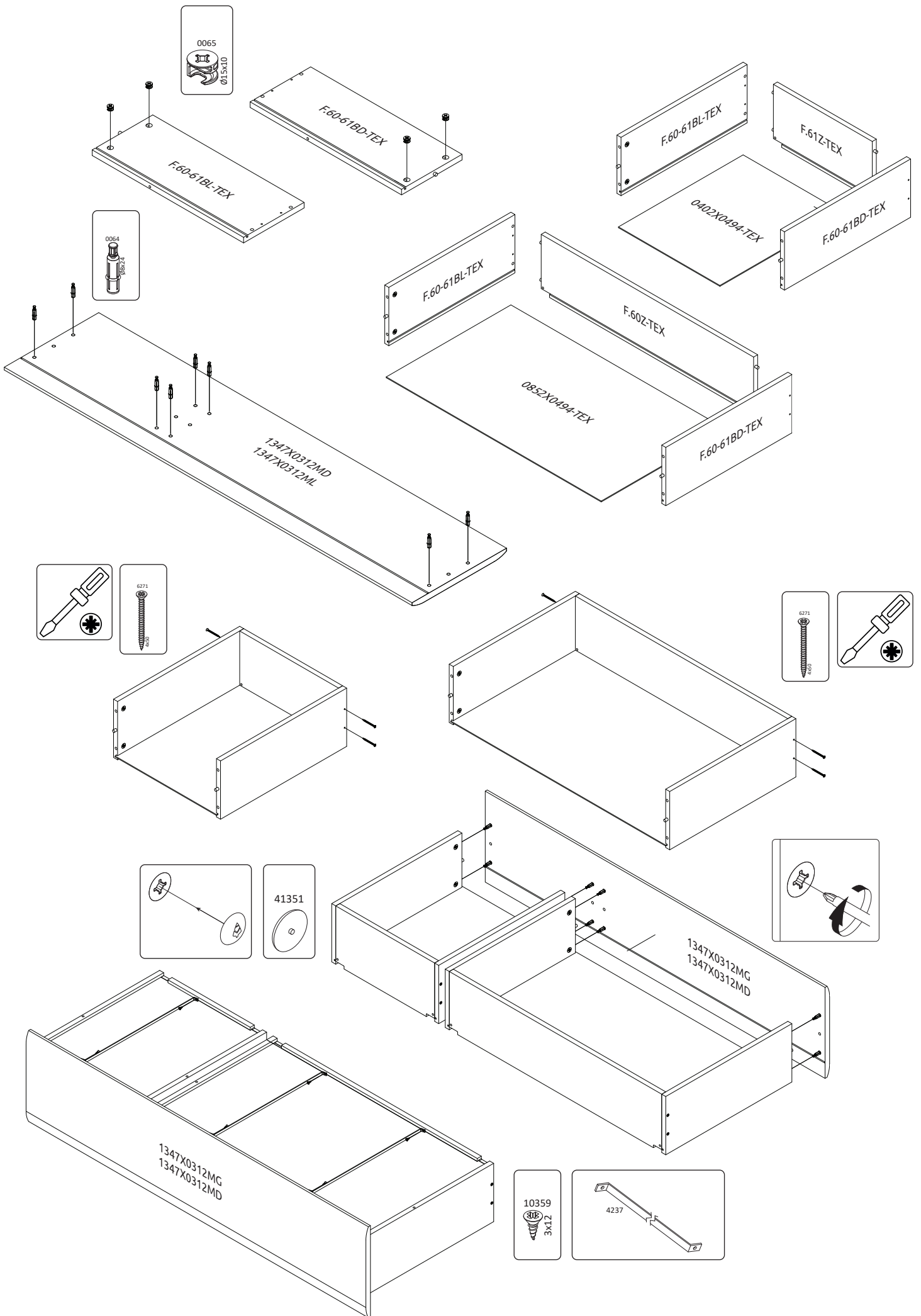
\* OPT P54-20G - X2  
 \* OPT P54-30G - X3  
 \* OPT P54-50G - X5

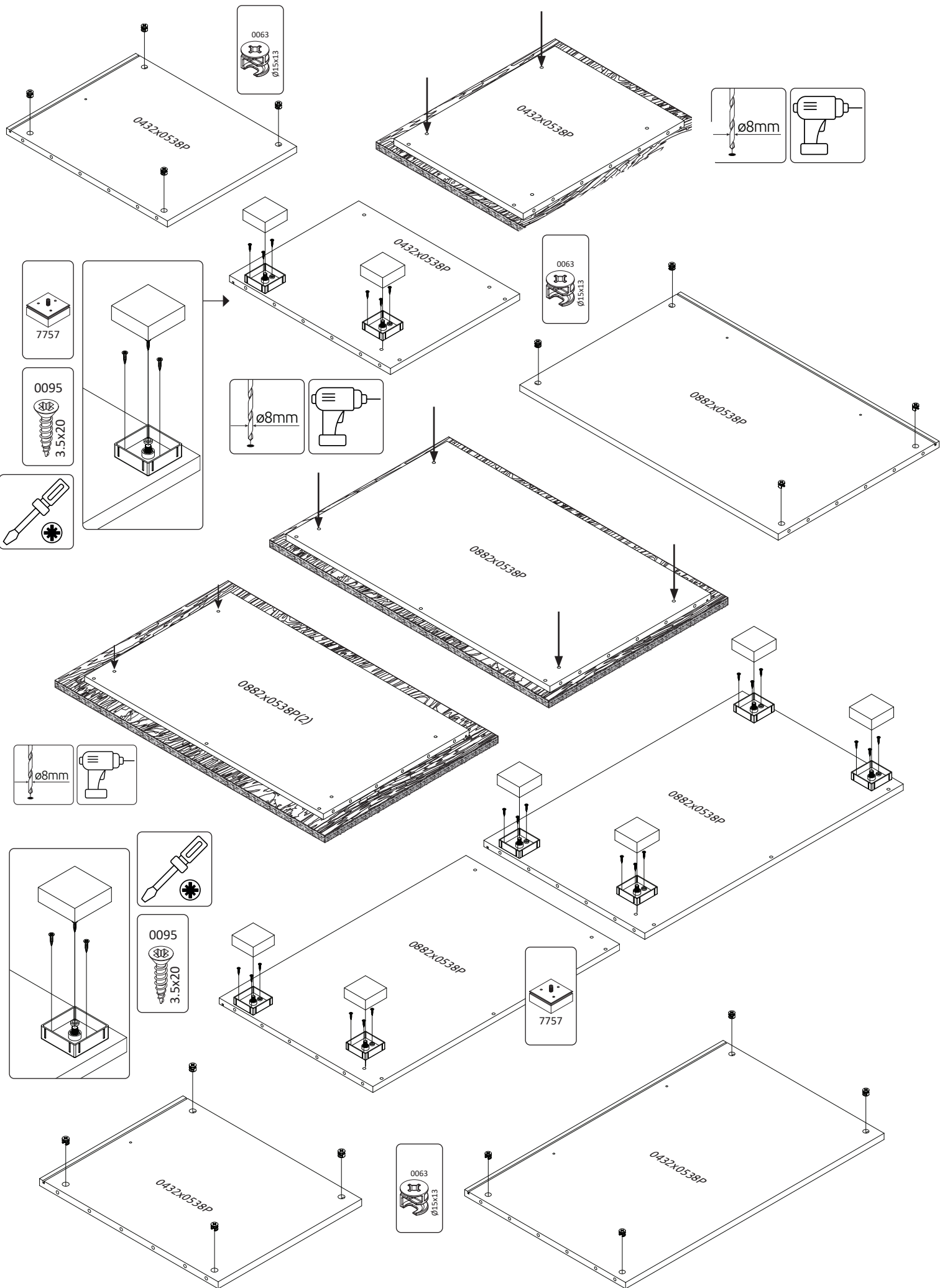
\* OPT P54 - X5  
 \* OPT P54-20G - X3  
 \* OPT P54-30G - X2

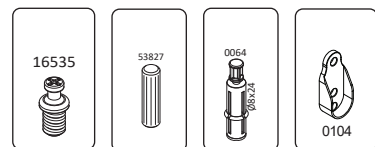
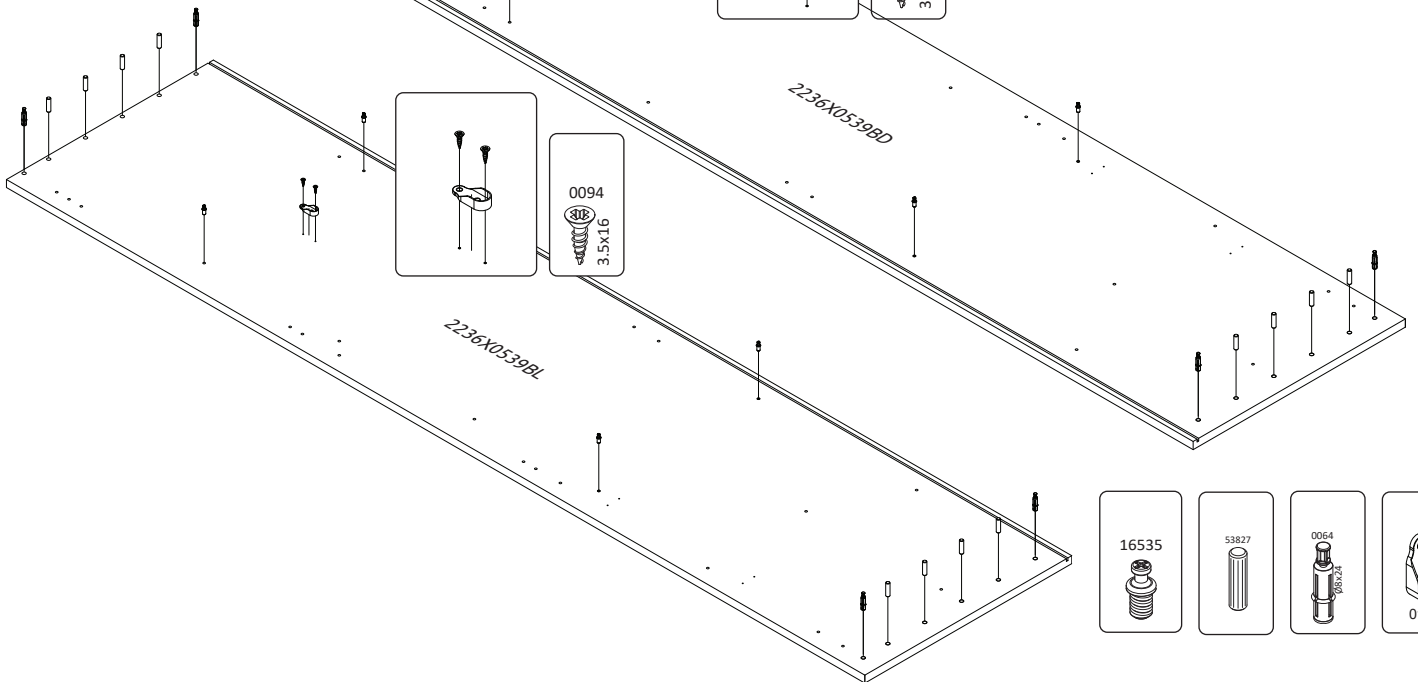
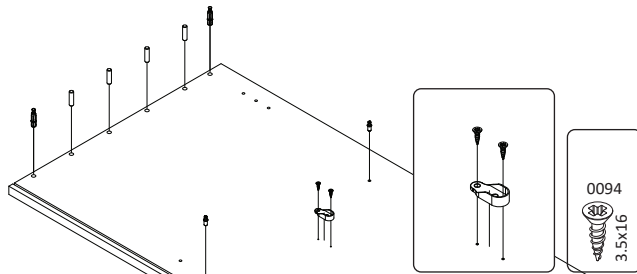
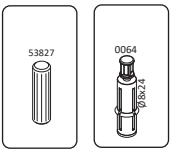
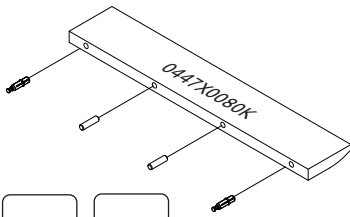
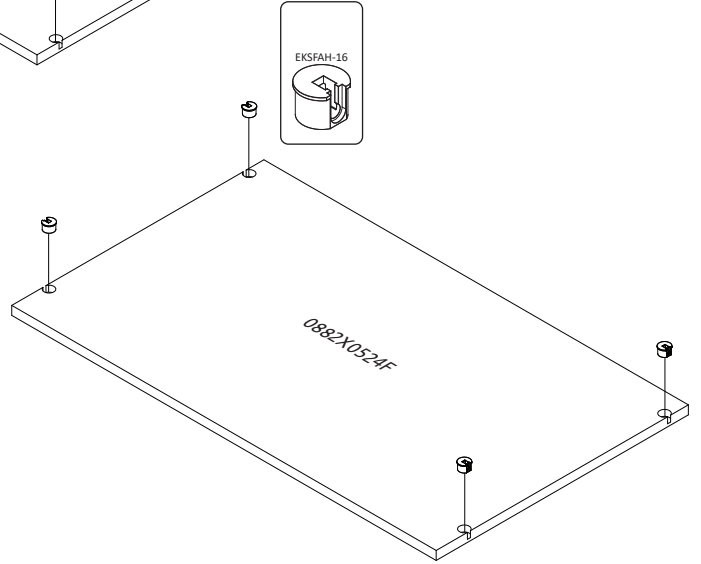
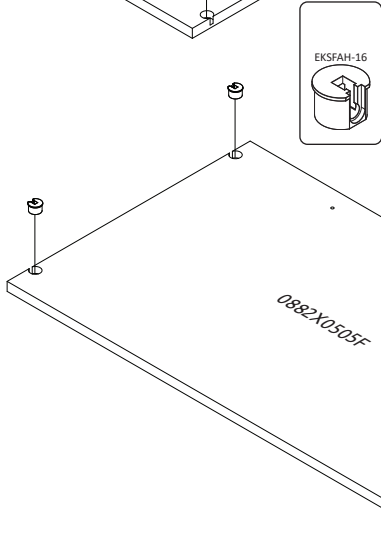
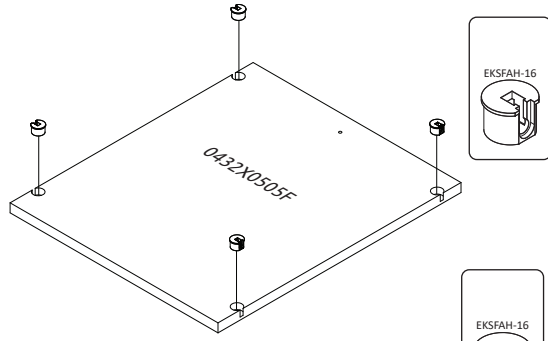
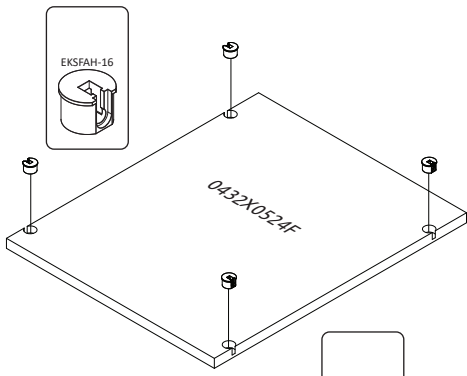


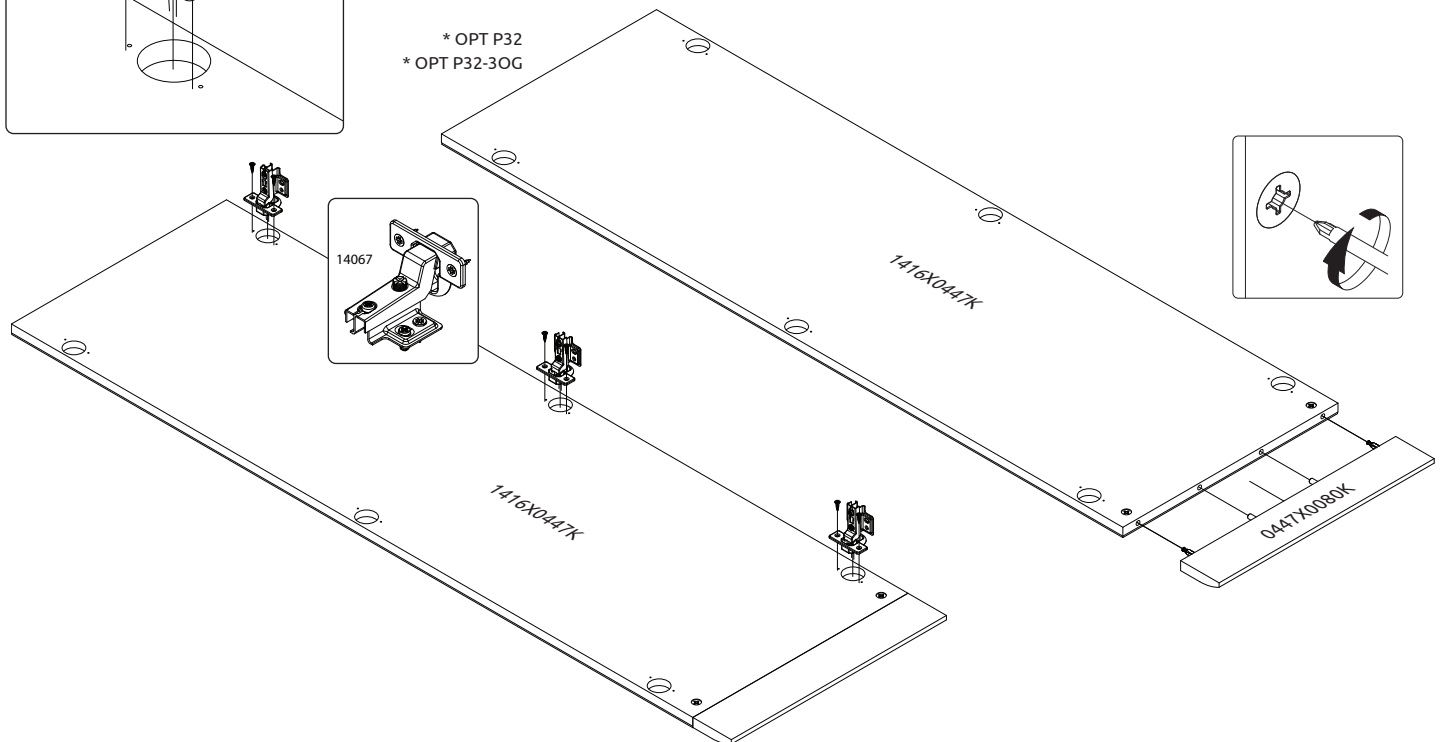
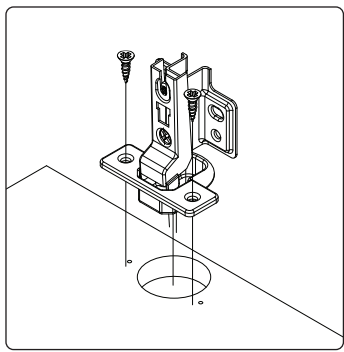
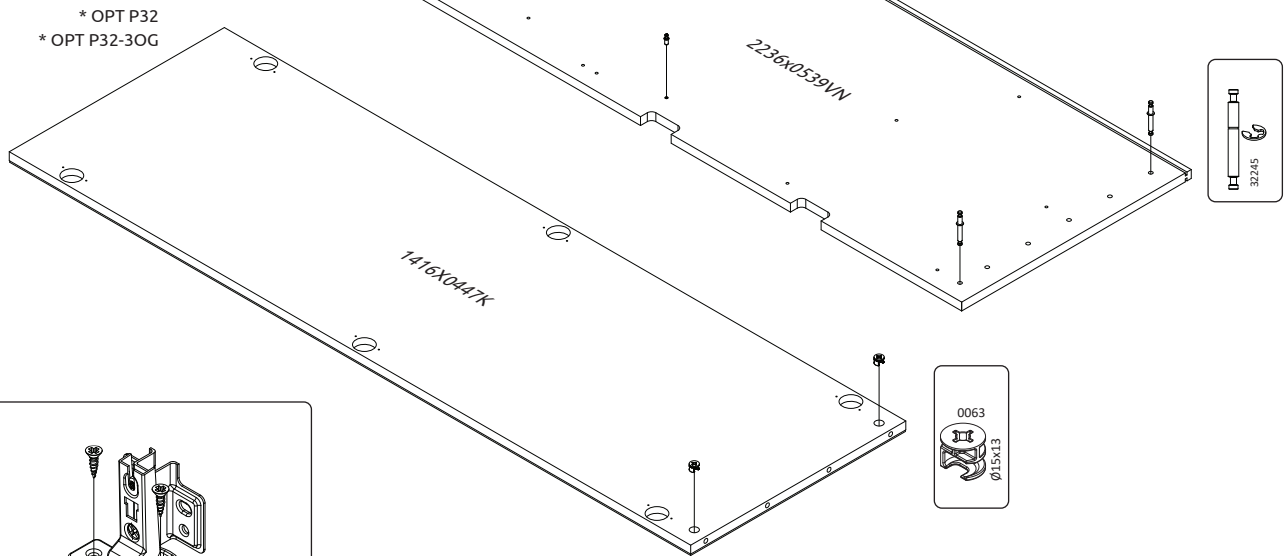
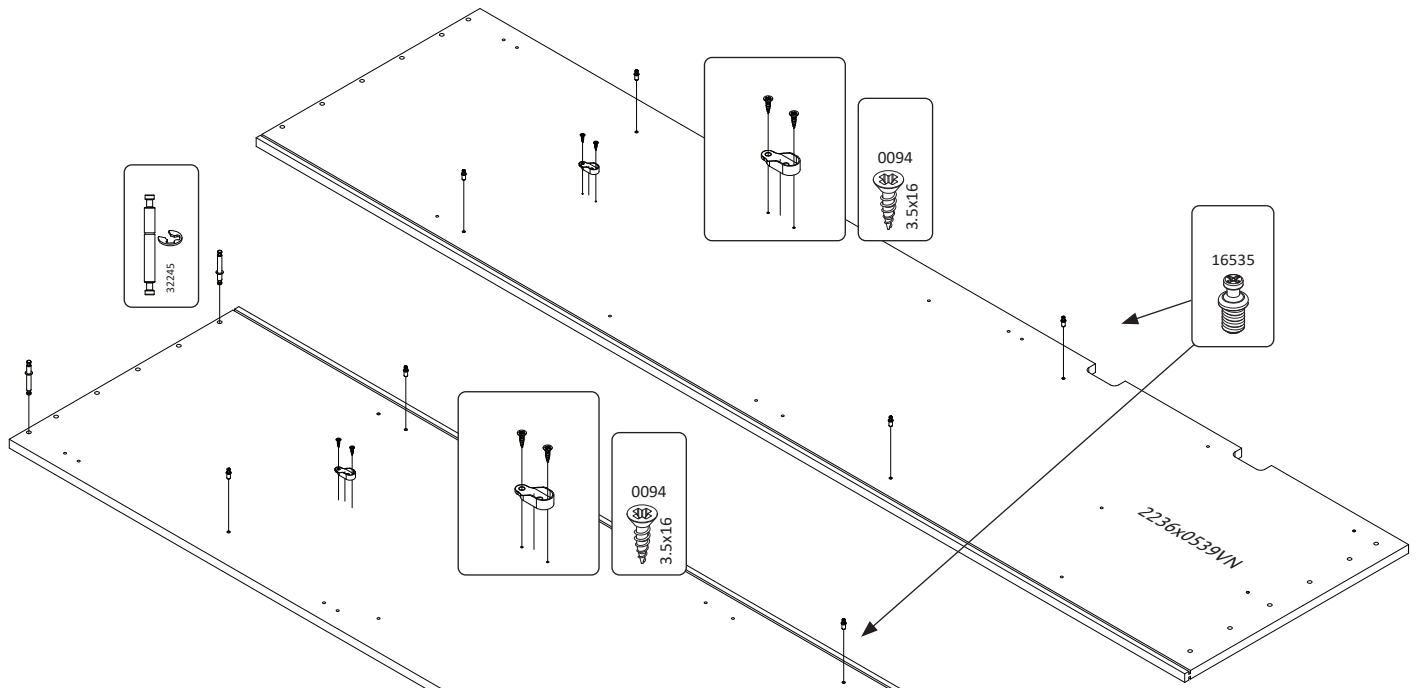




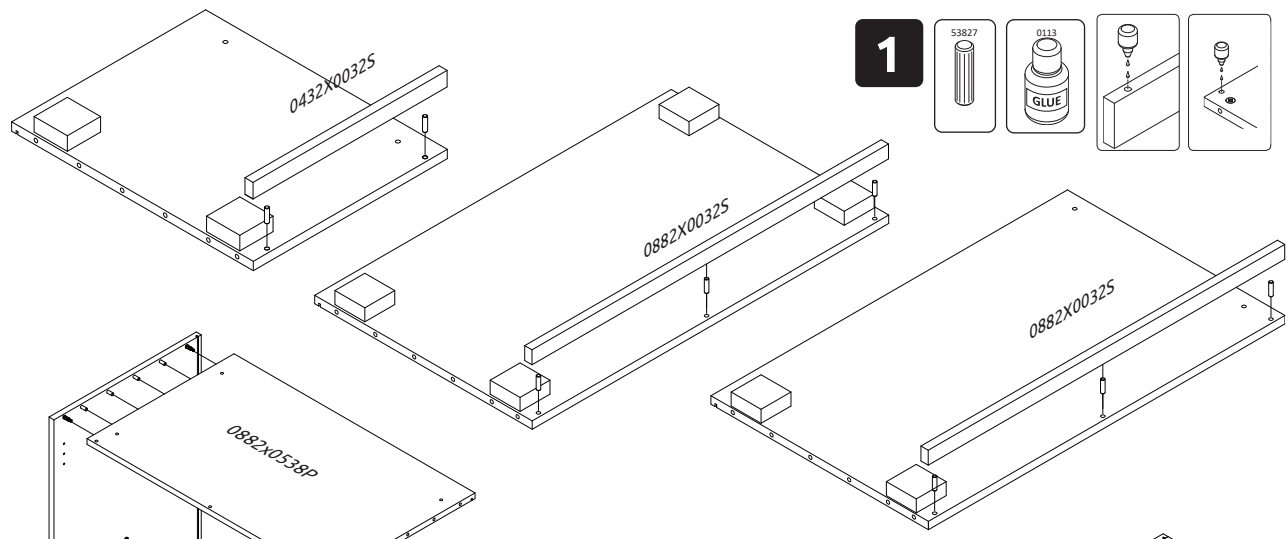
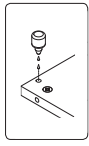
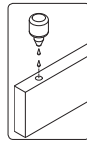
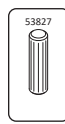




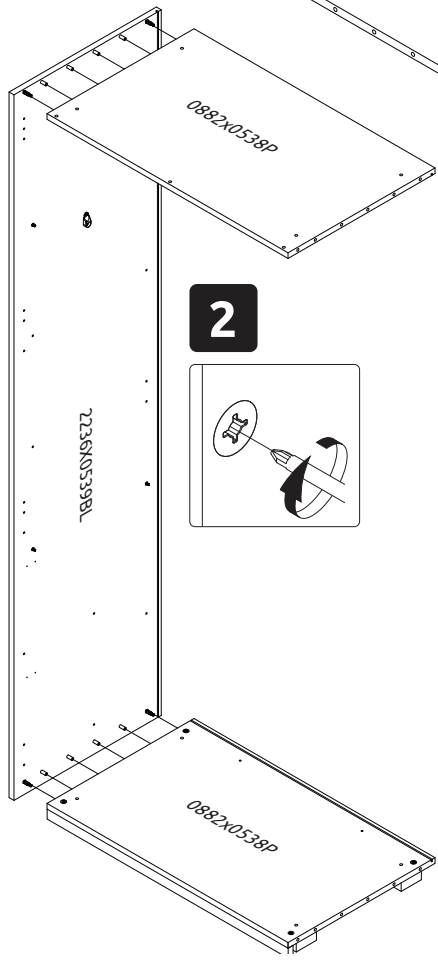
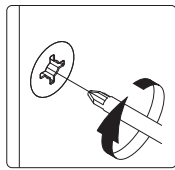




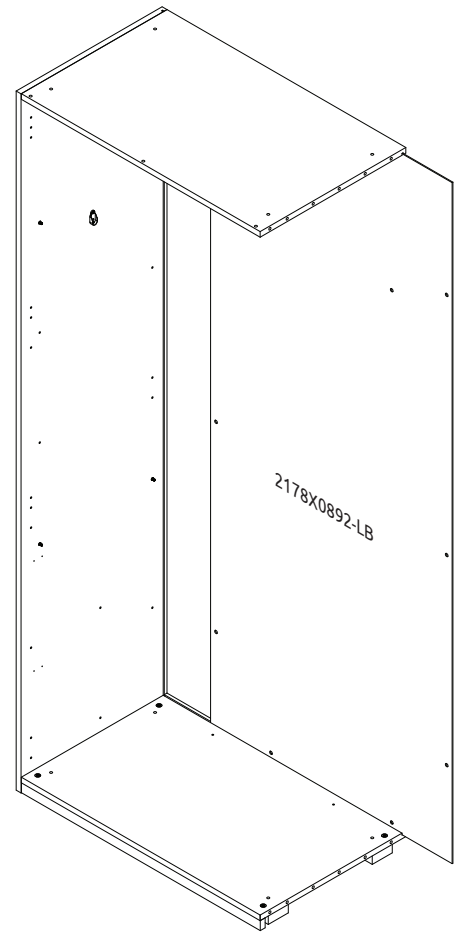
**1**



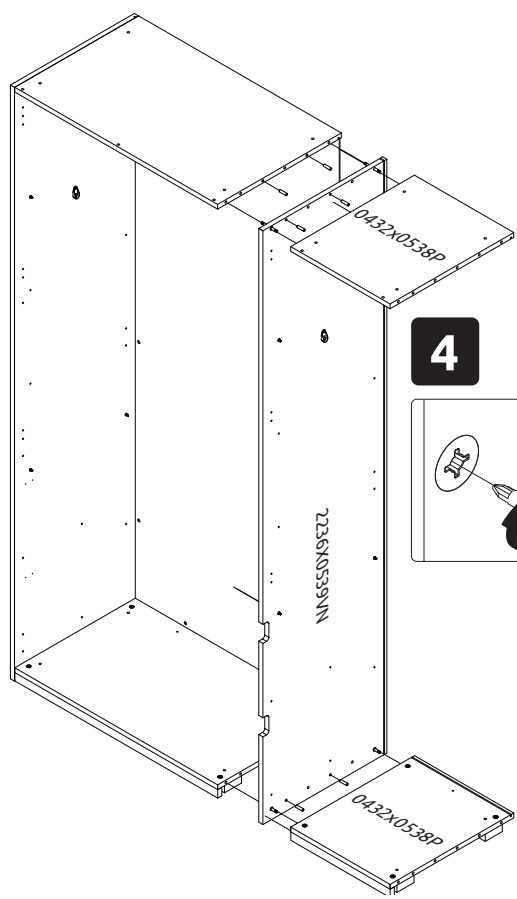
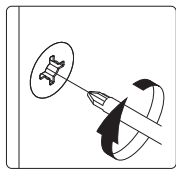
**2**

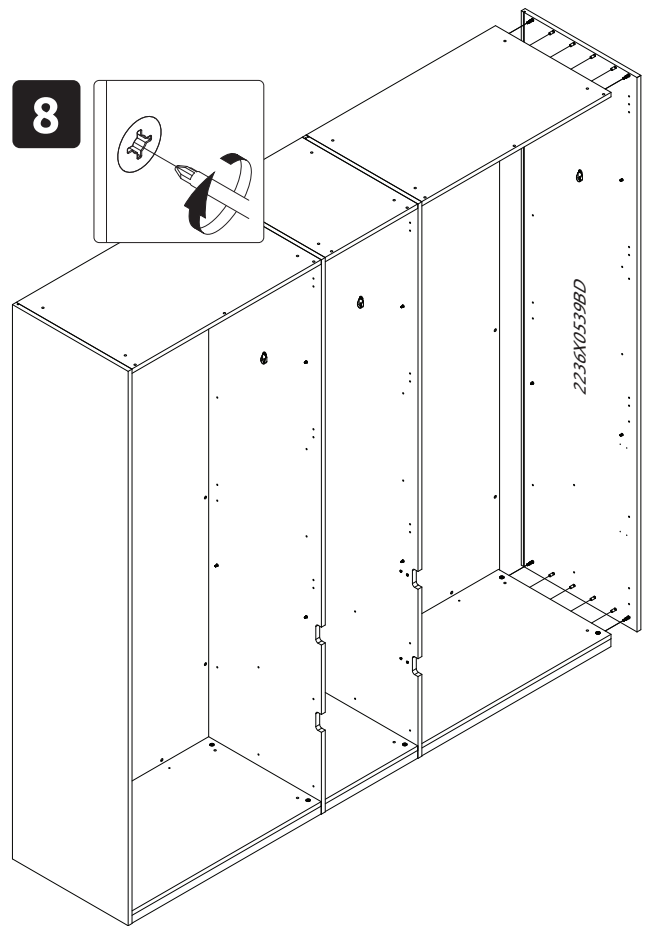
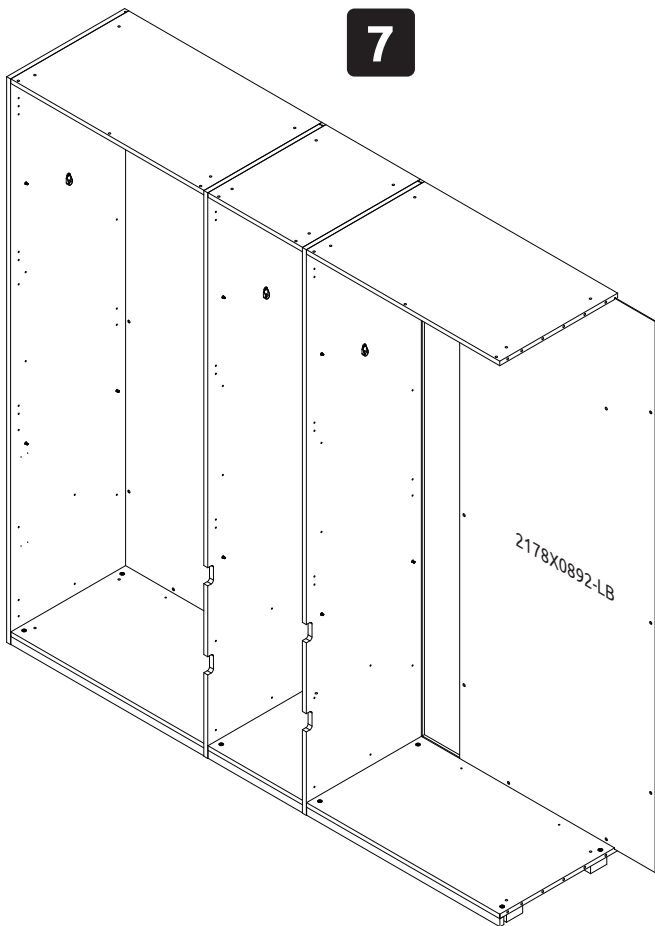
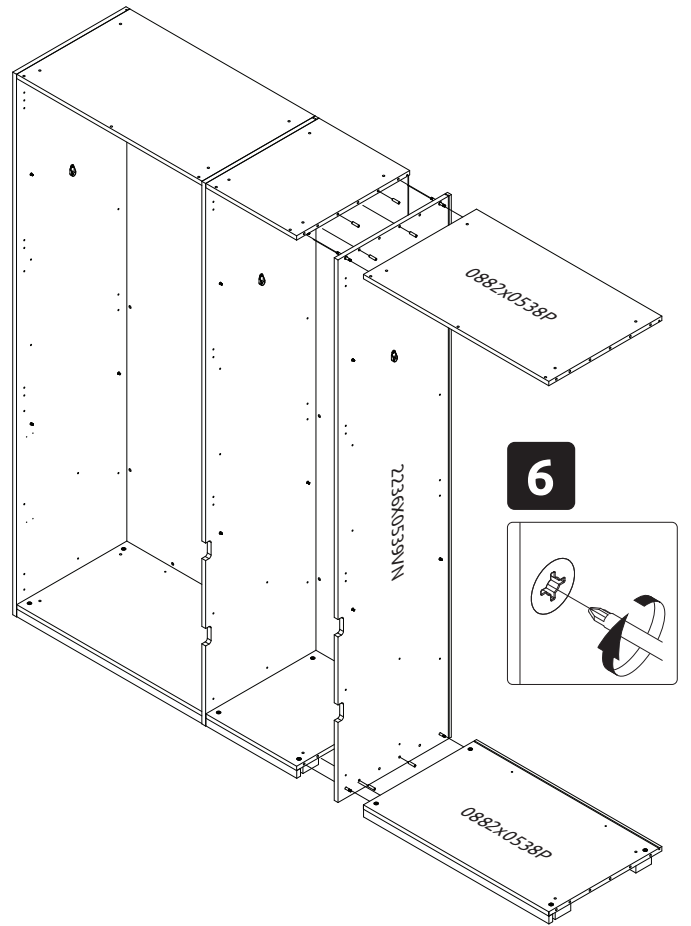
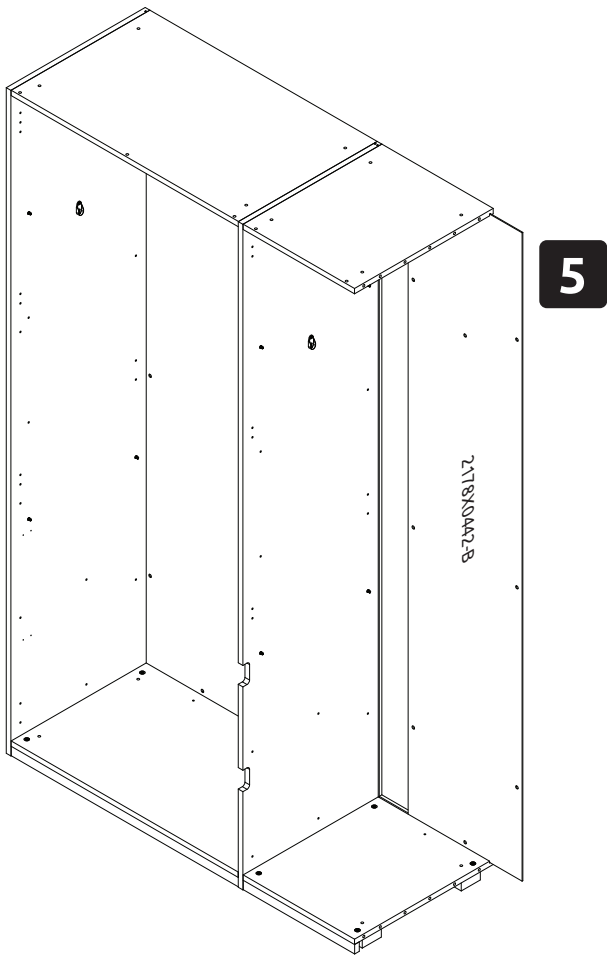


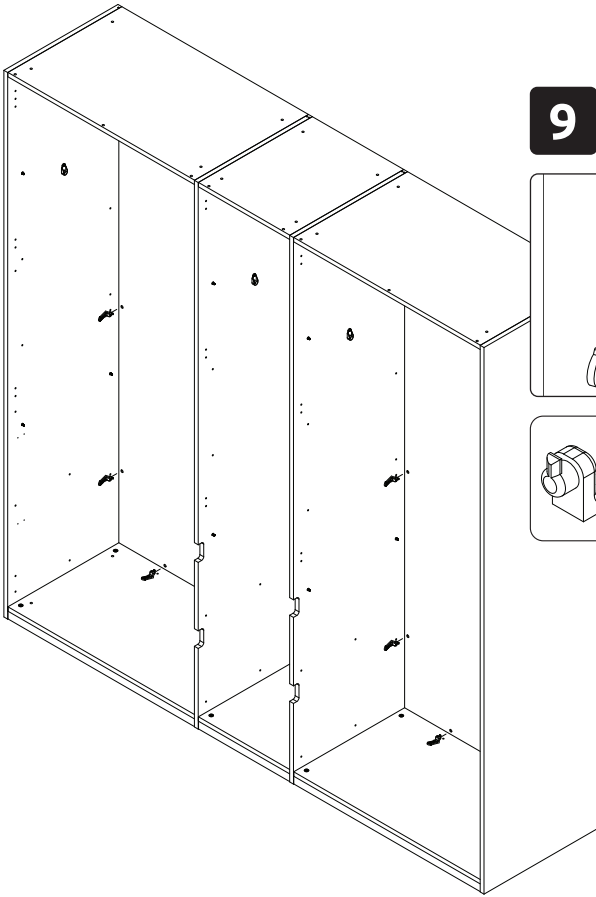
**3**



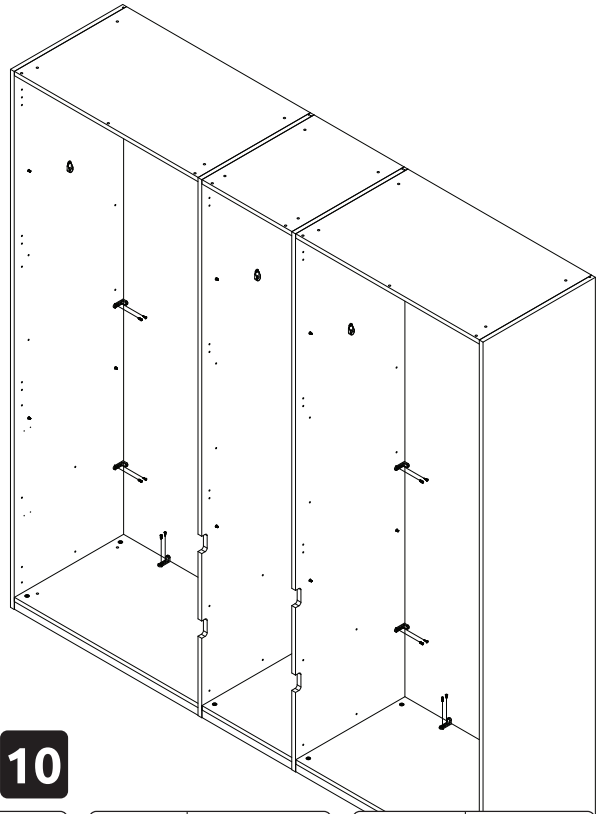
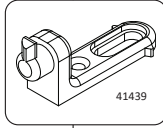
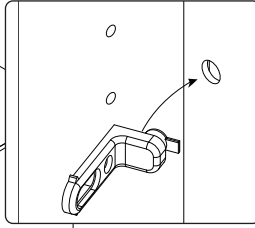
**4**



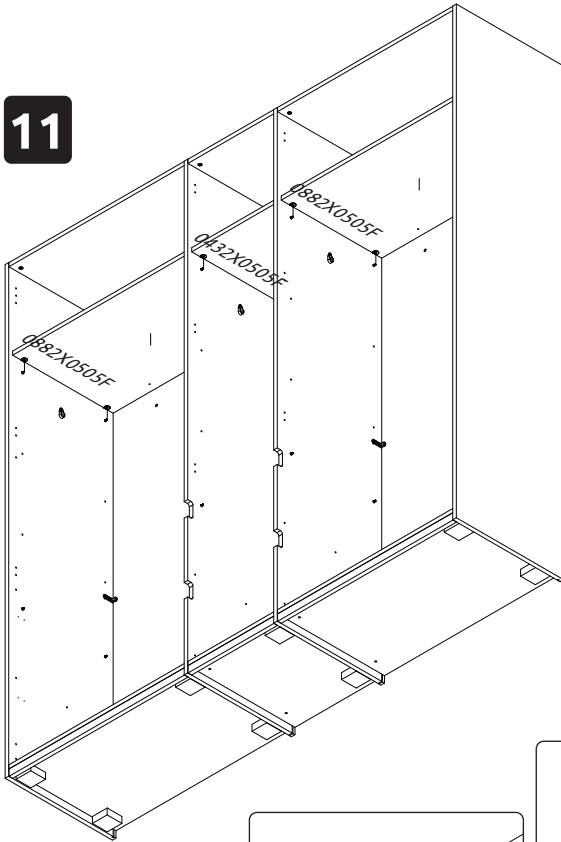
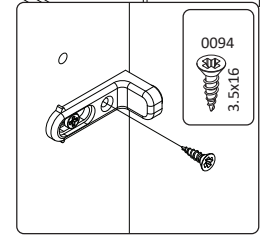
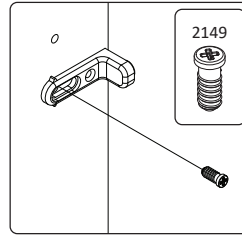
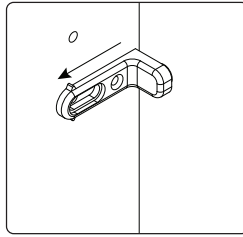




9

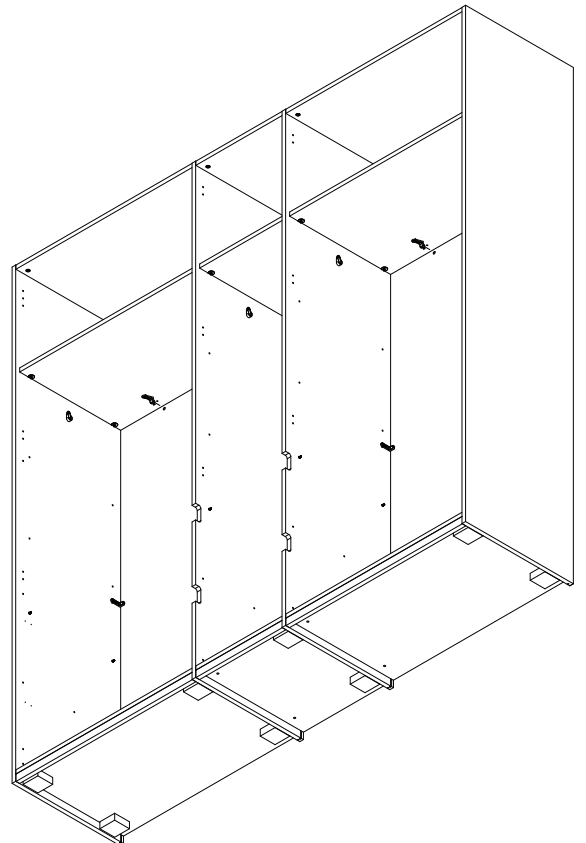
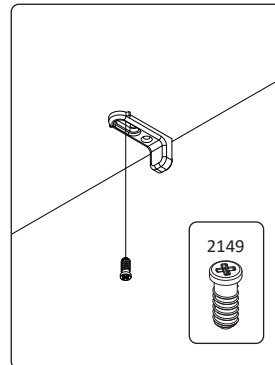
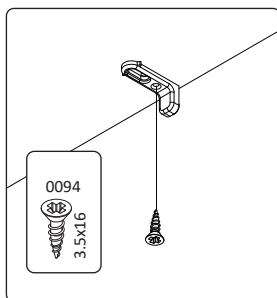
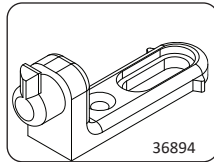


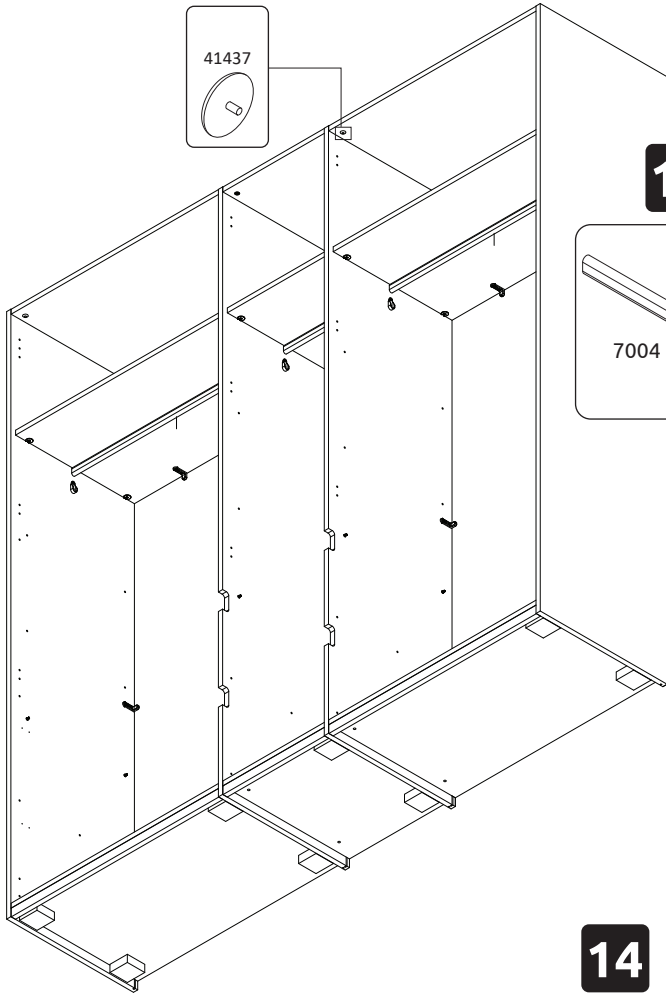
10



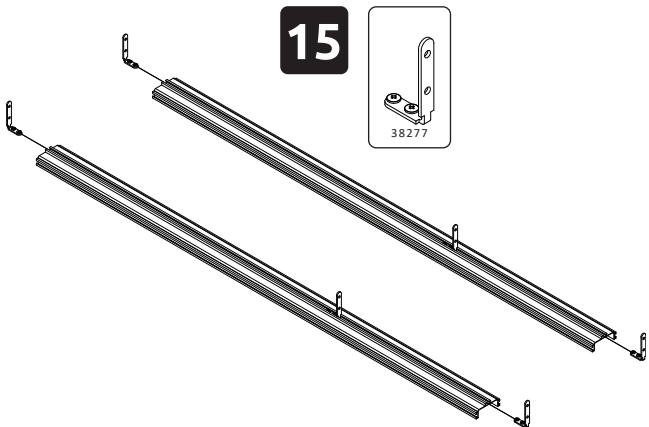
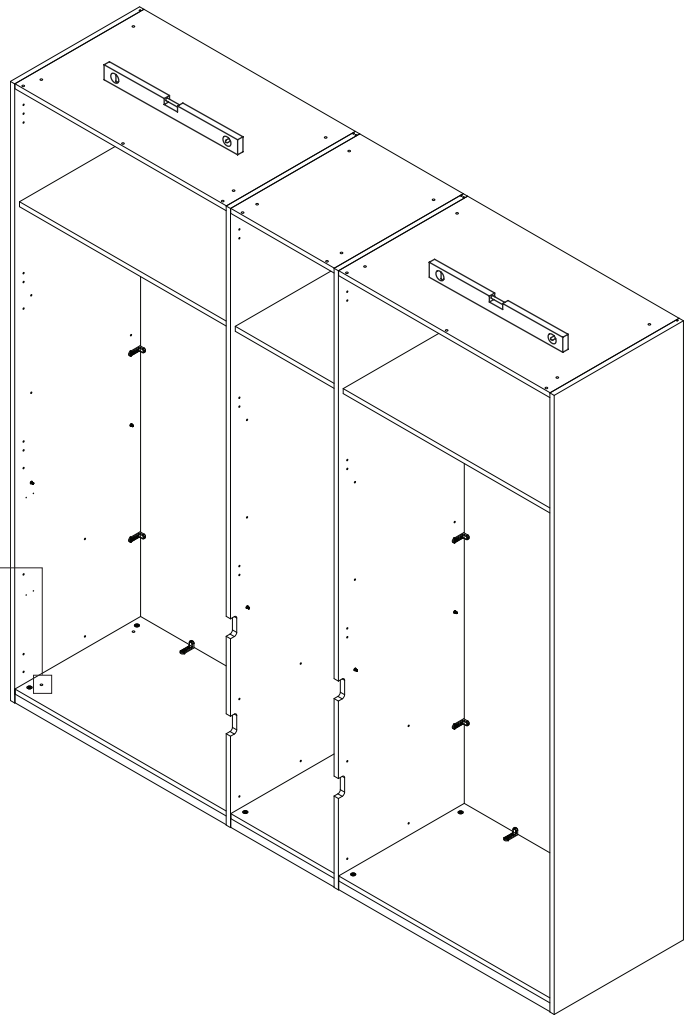
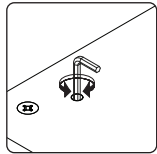
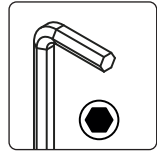
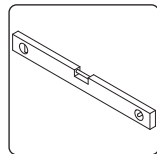
11

12

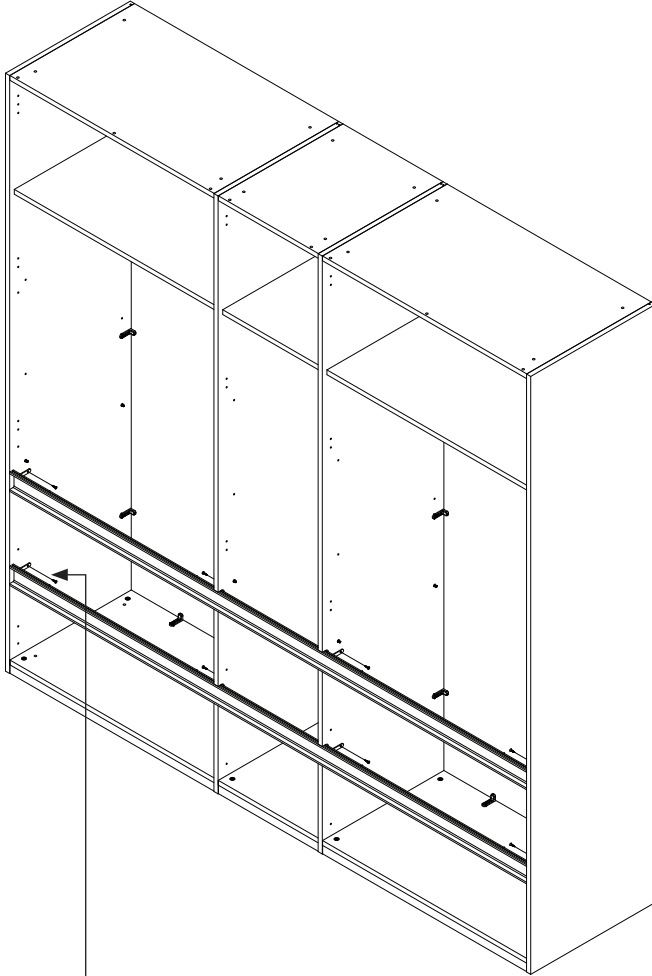




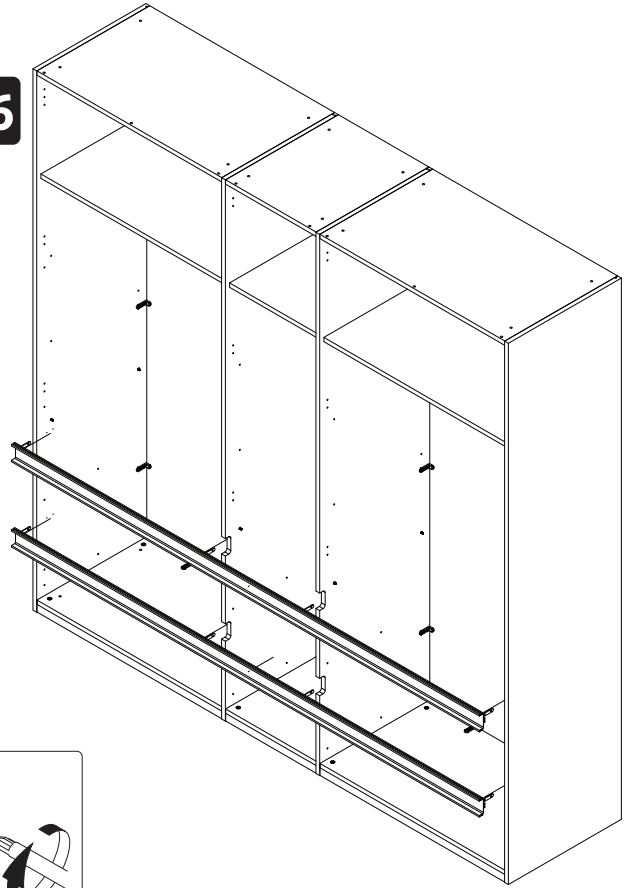
14



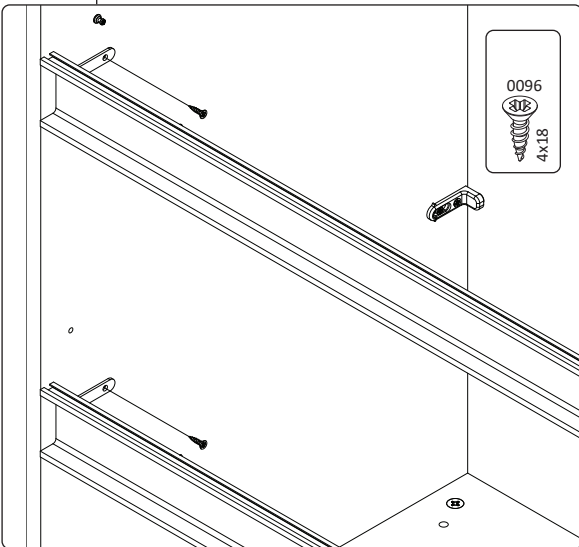
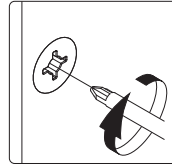




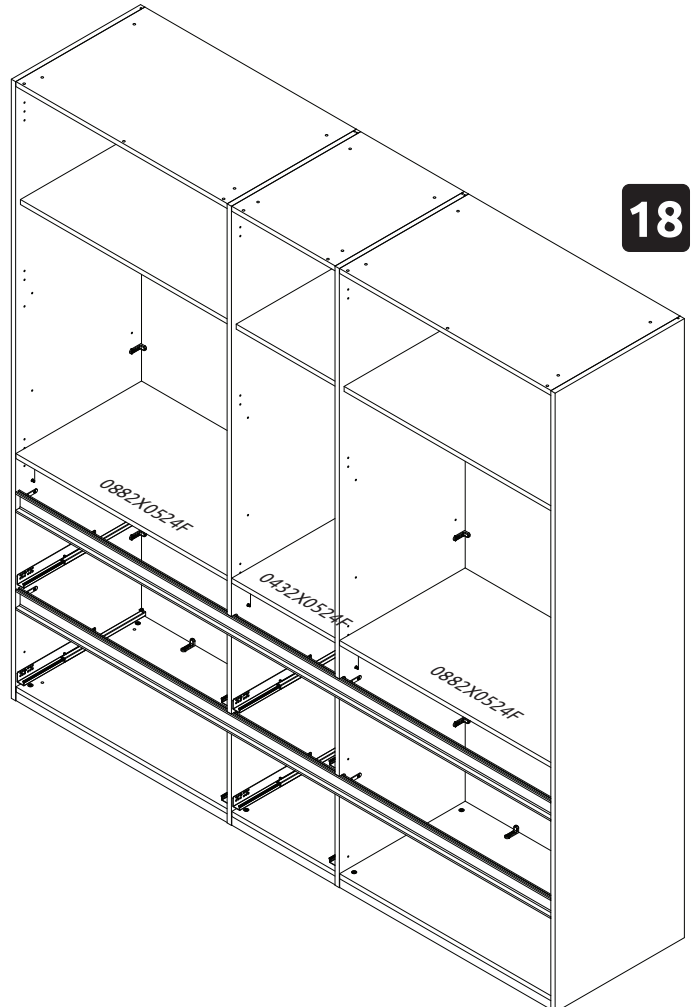
16



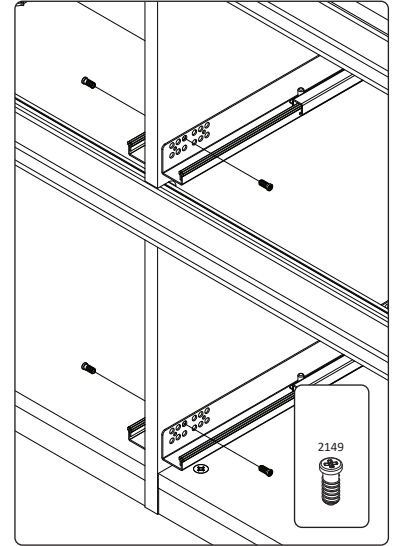
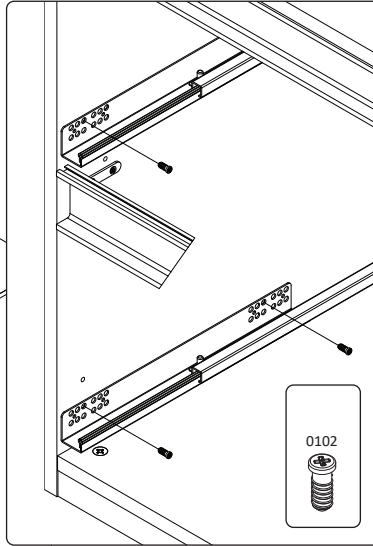
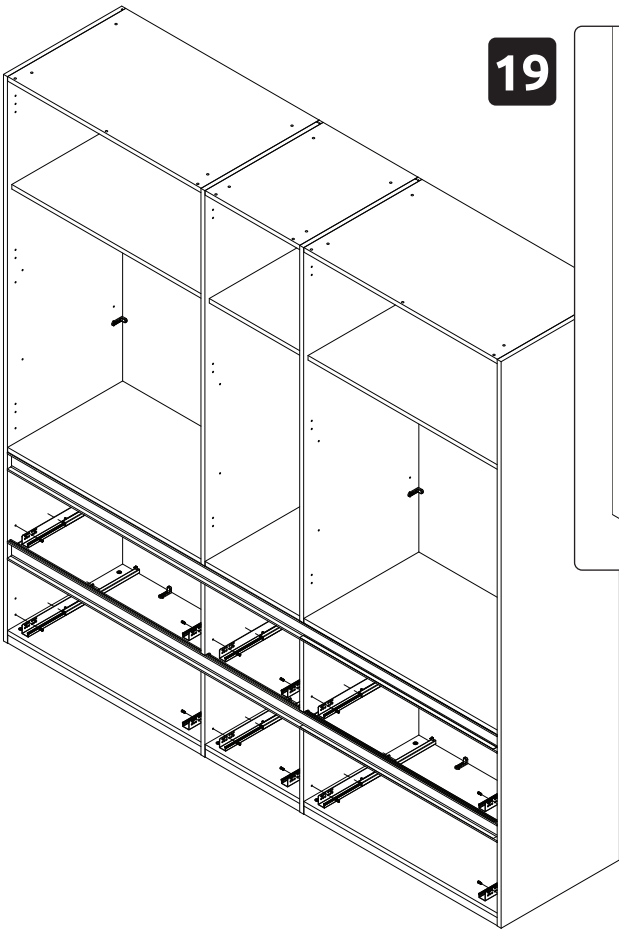
17



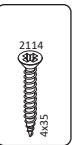
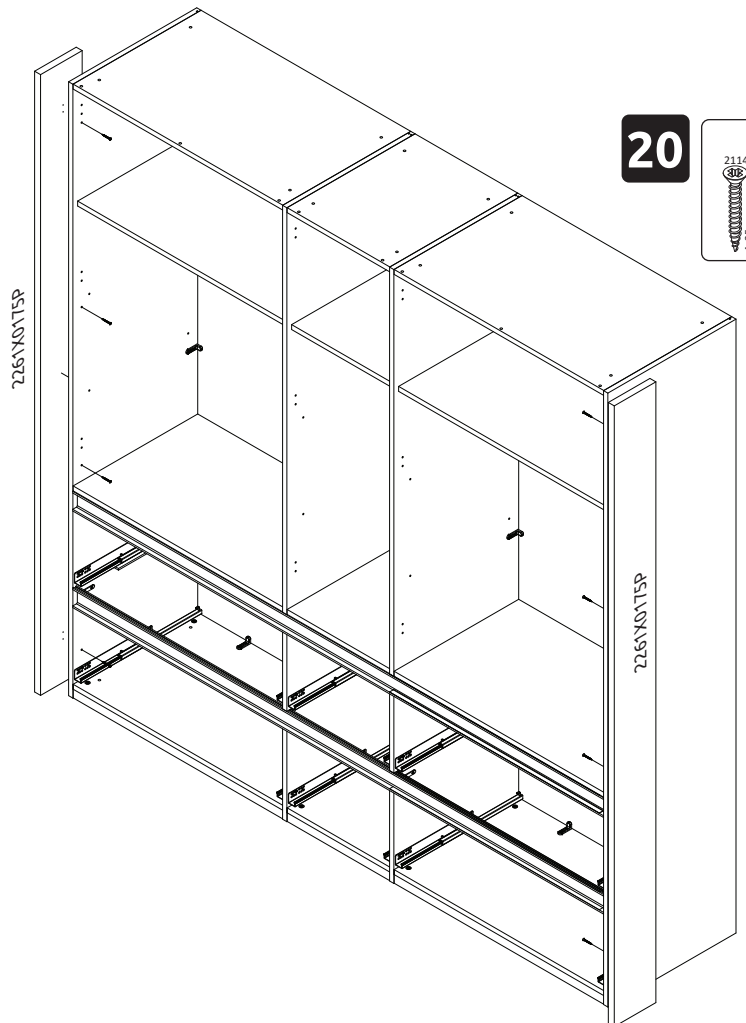
18

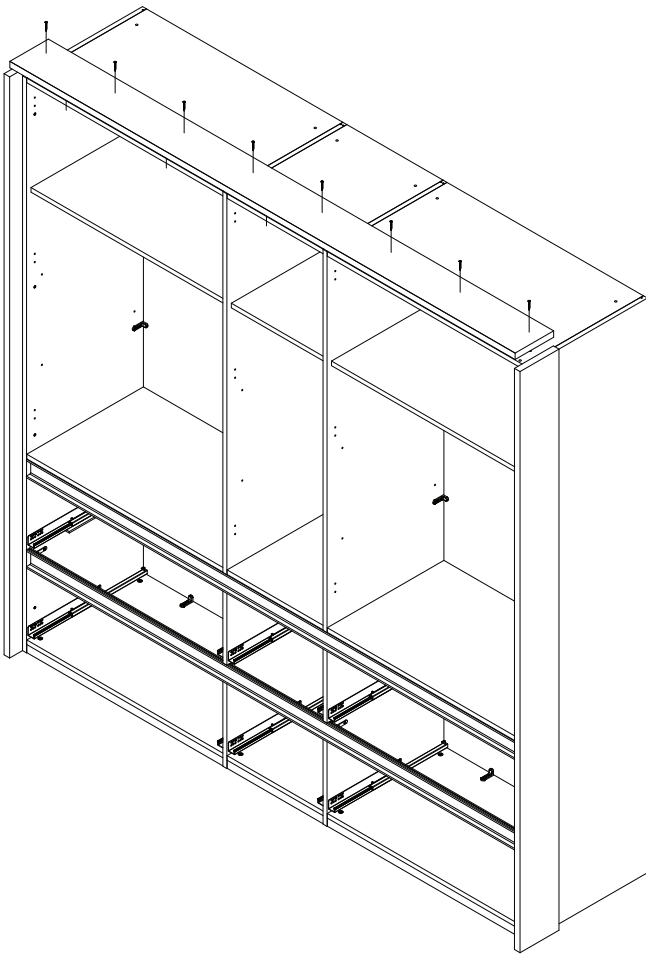


19

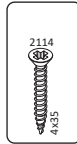


20

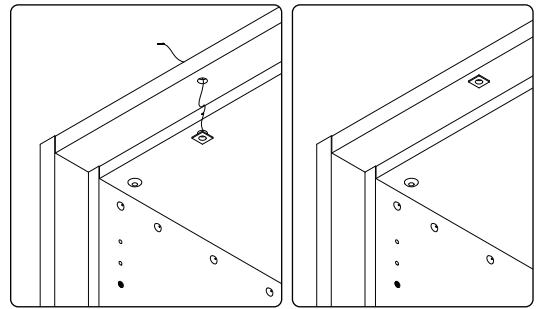
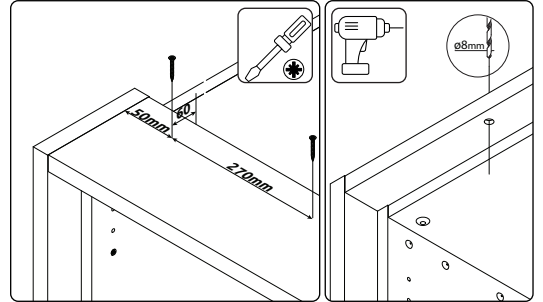
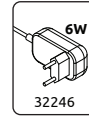
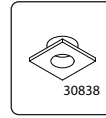




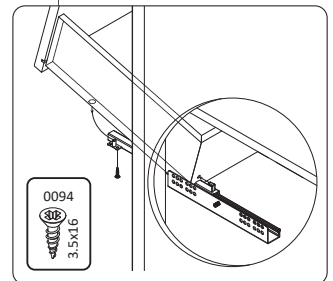
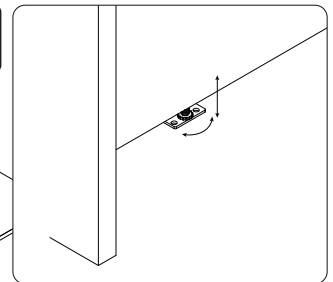
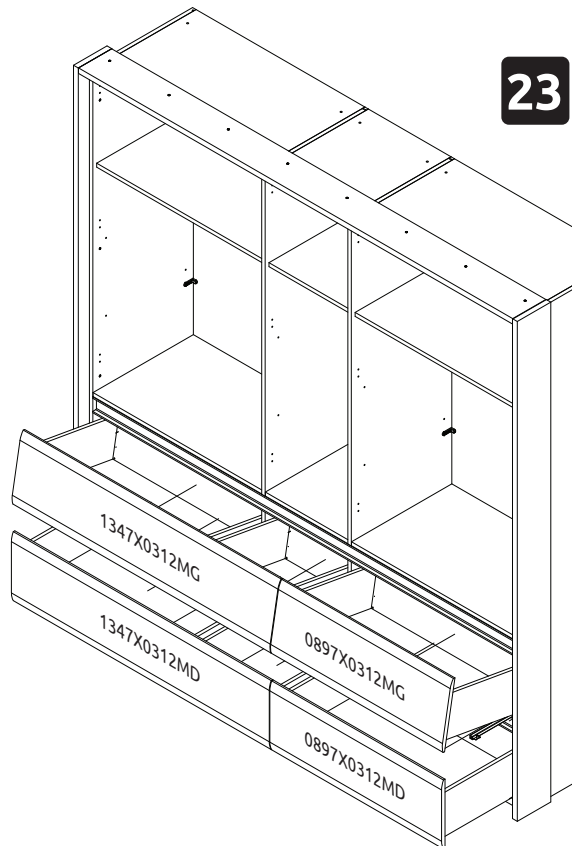
**21**



**22**



**23**



\* OPT P54

24

