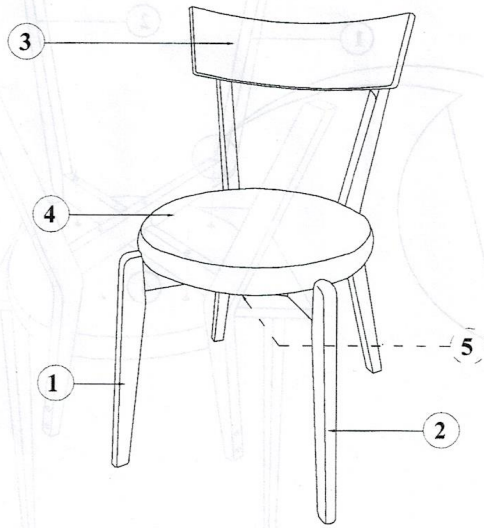


NELSON

R&D-YAW-AI



1

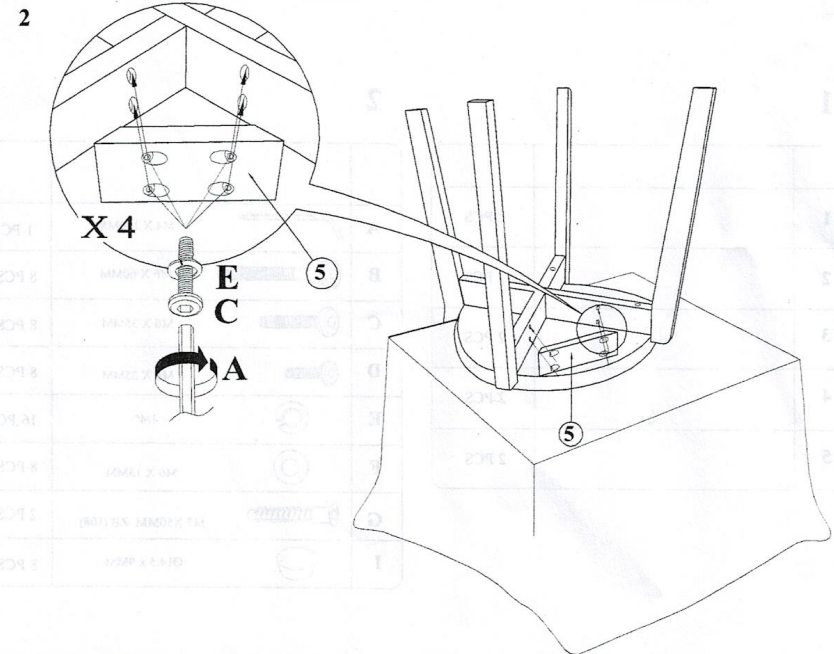
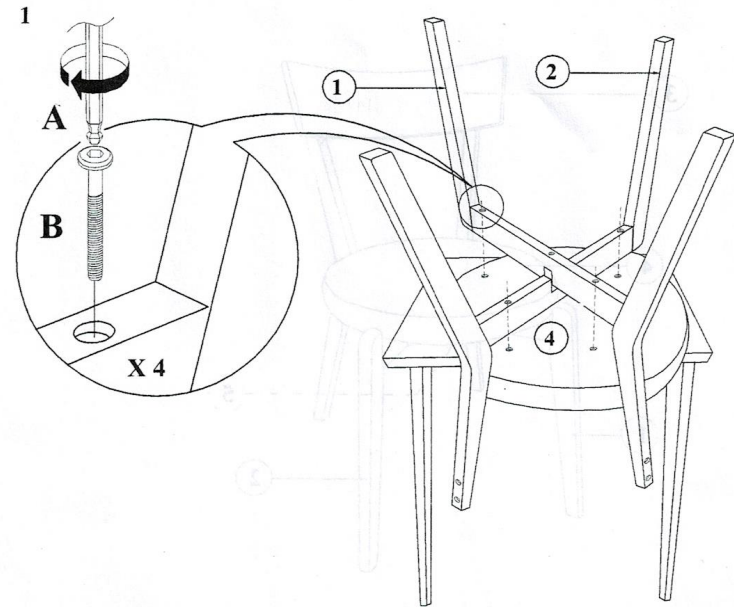
1	2 PCS
2	2 PCS
3	2 PCS
4	2 PCS
5	2 PCS

2

A		M4 X 110MM	1 PC
B		M6 X 60MM	8 PCS
C		M6 X 35MM	8 PCS
D		M6 X 25MM	8 PCS
E		1/4"	16 PCS
F		M6 X 13MM	8 PCS
G		M7 X50MM ZB (10#)	2 PCS
I		Ø14.5 x 9MM	8 PCS

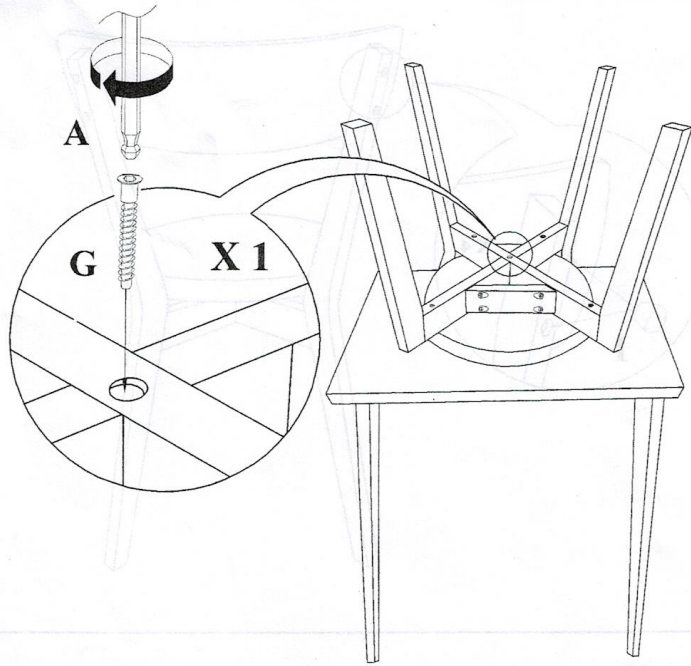
NELSON

64-WAY-028

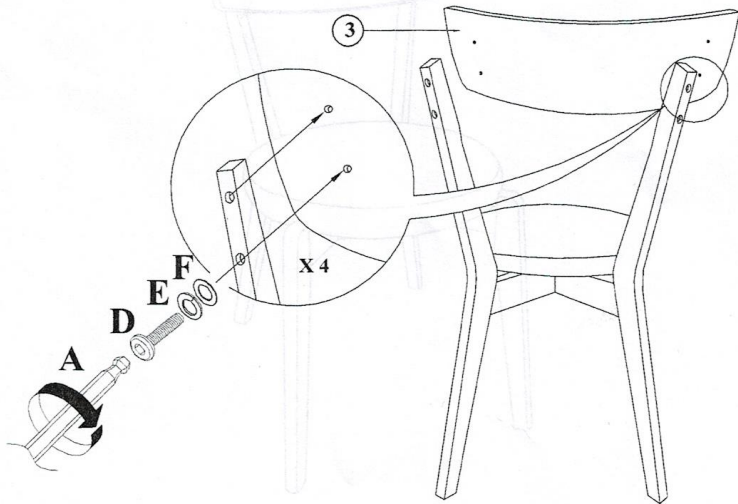


NELSON

3

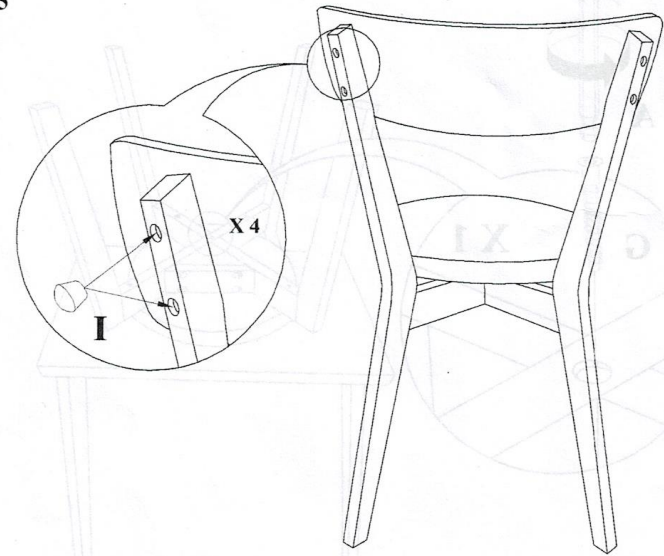


4



NELSON

5



6

