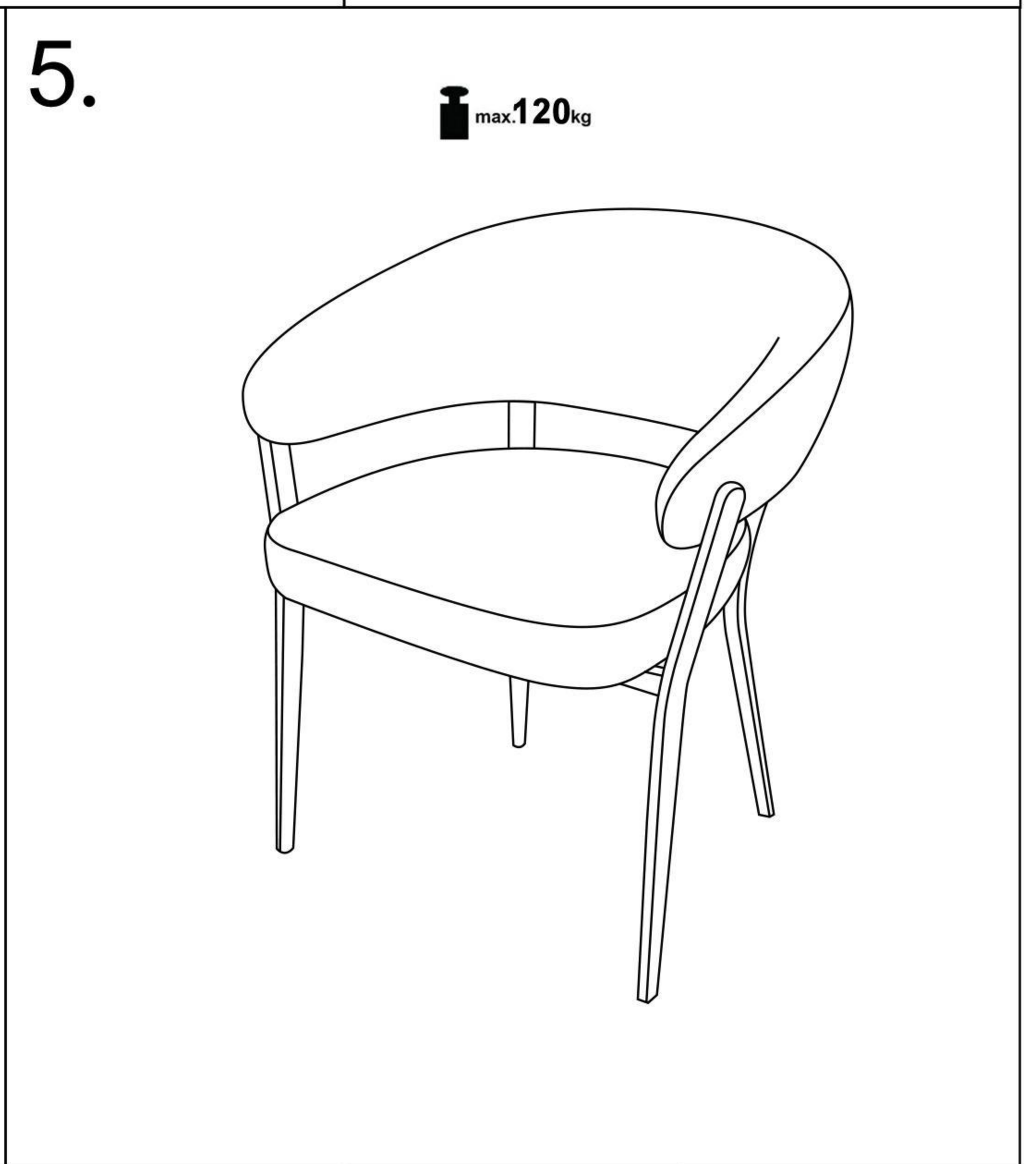
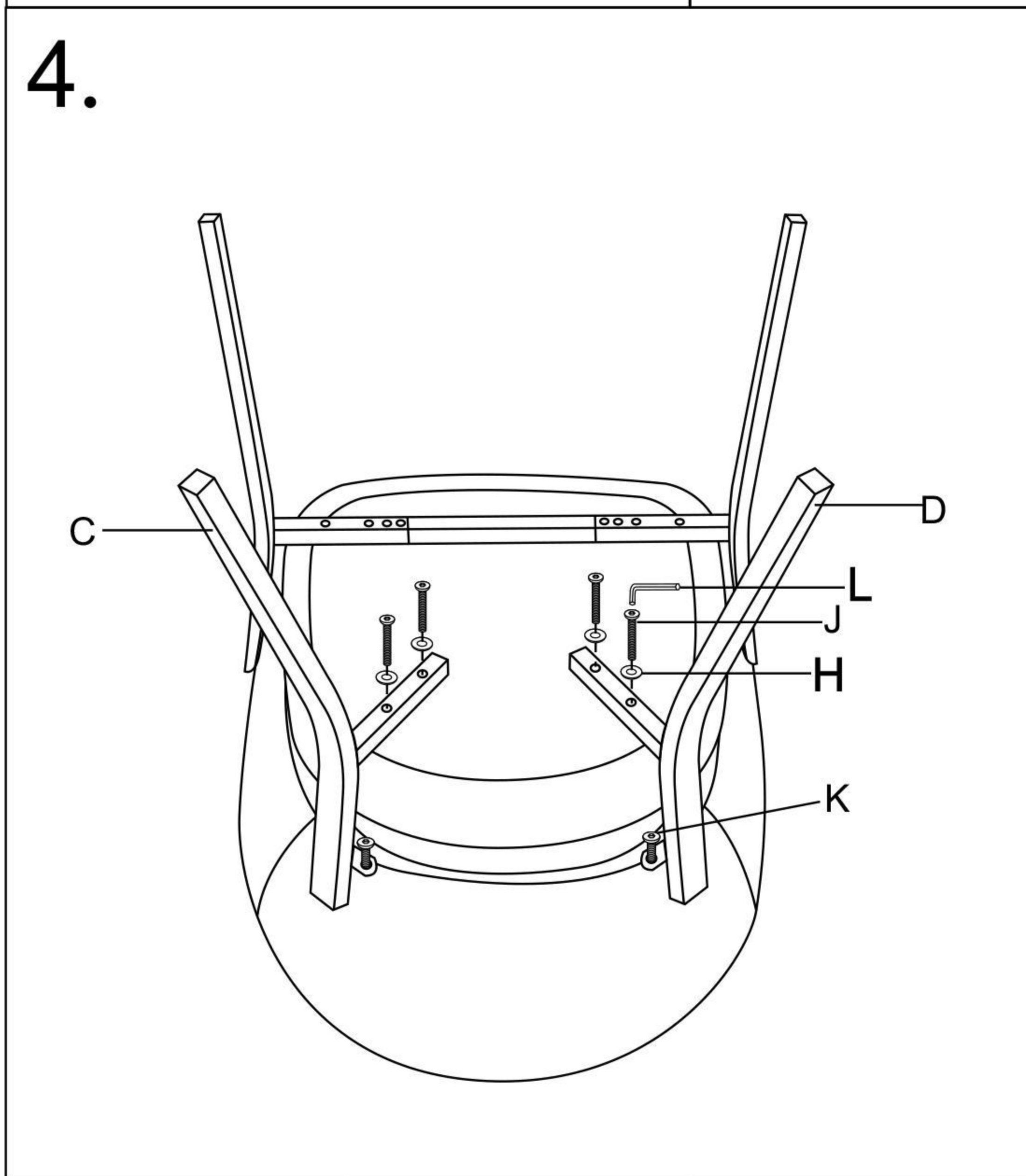
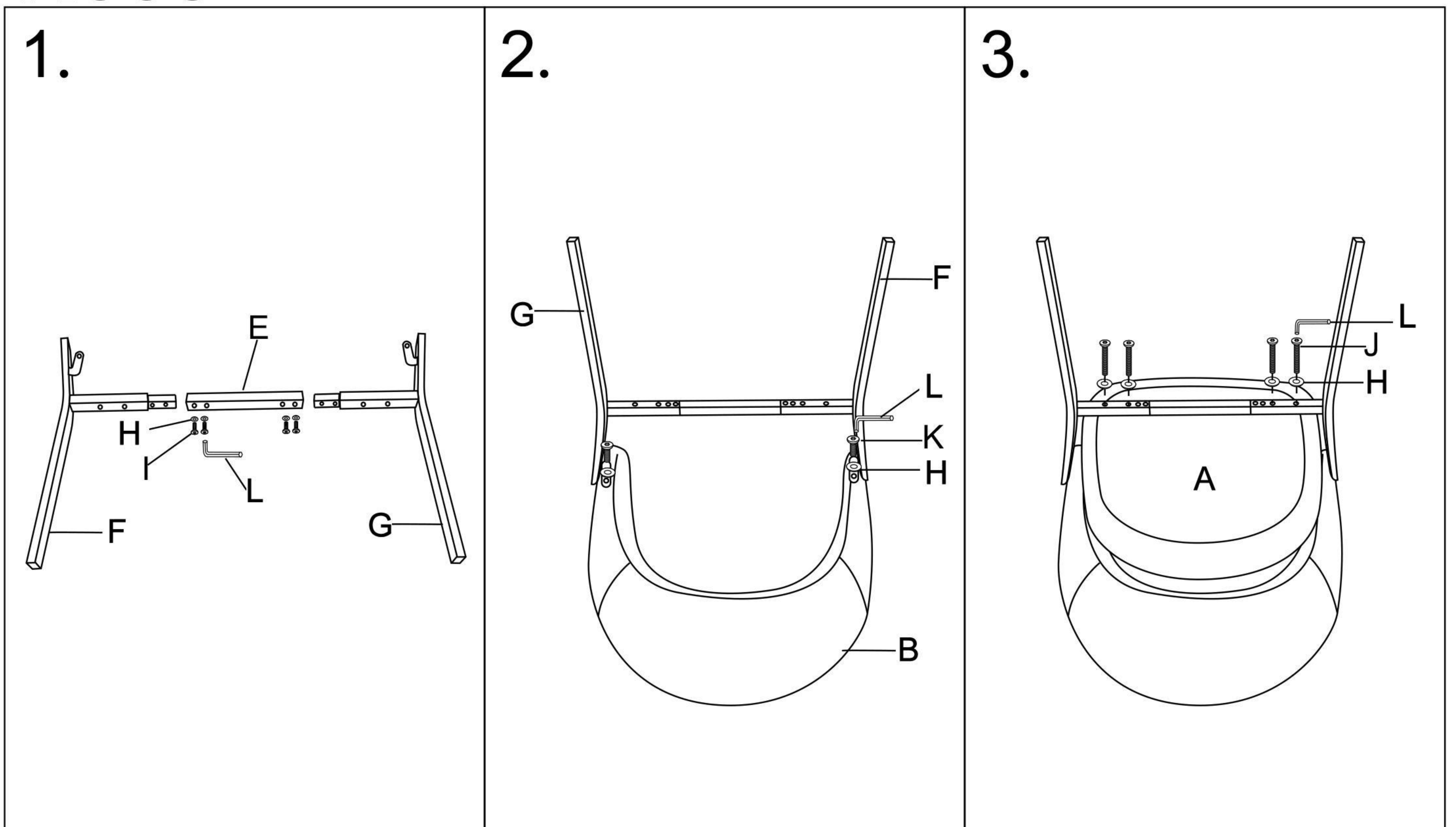


K609



Ax1 	Bx1 	Cx1 	Dx1 	Ex1 	Fx1
Gx1 	Hx16 	Ix4 M6*12	Jx8 M6*40	Kx4 M6*20	Lx1