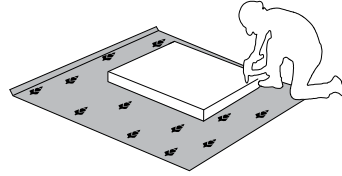
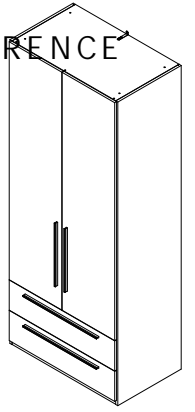
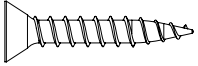




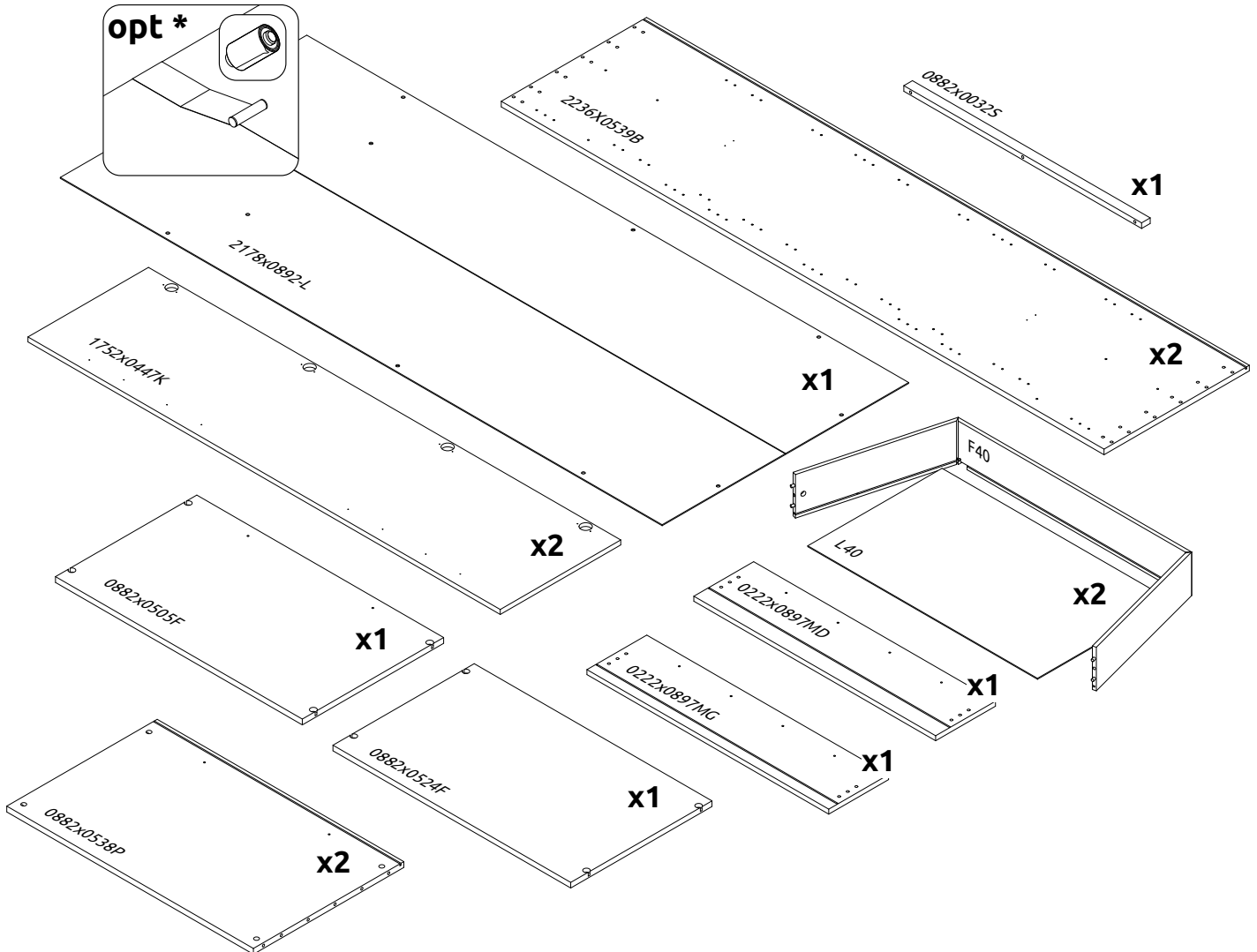
IMPORTANT - READ CAREFULLY - RETAIN FOR FUTURE REFERENCE
 WICHTIG - SORGFÄLTIG LESEN UND AUFBEWAHREN

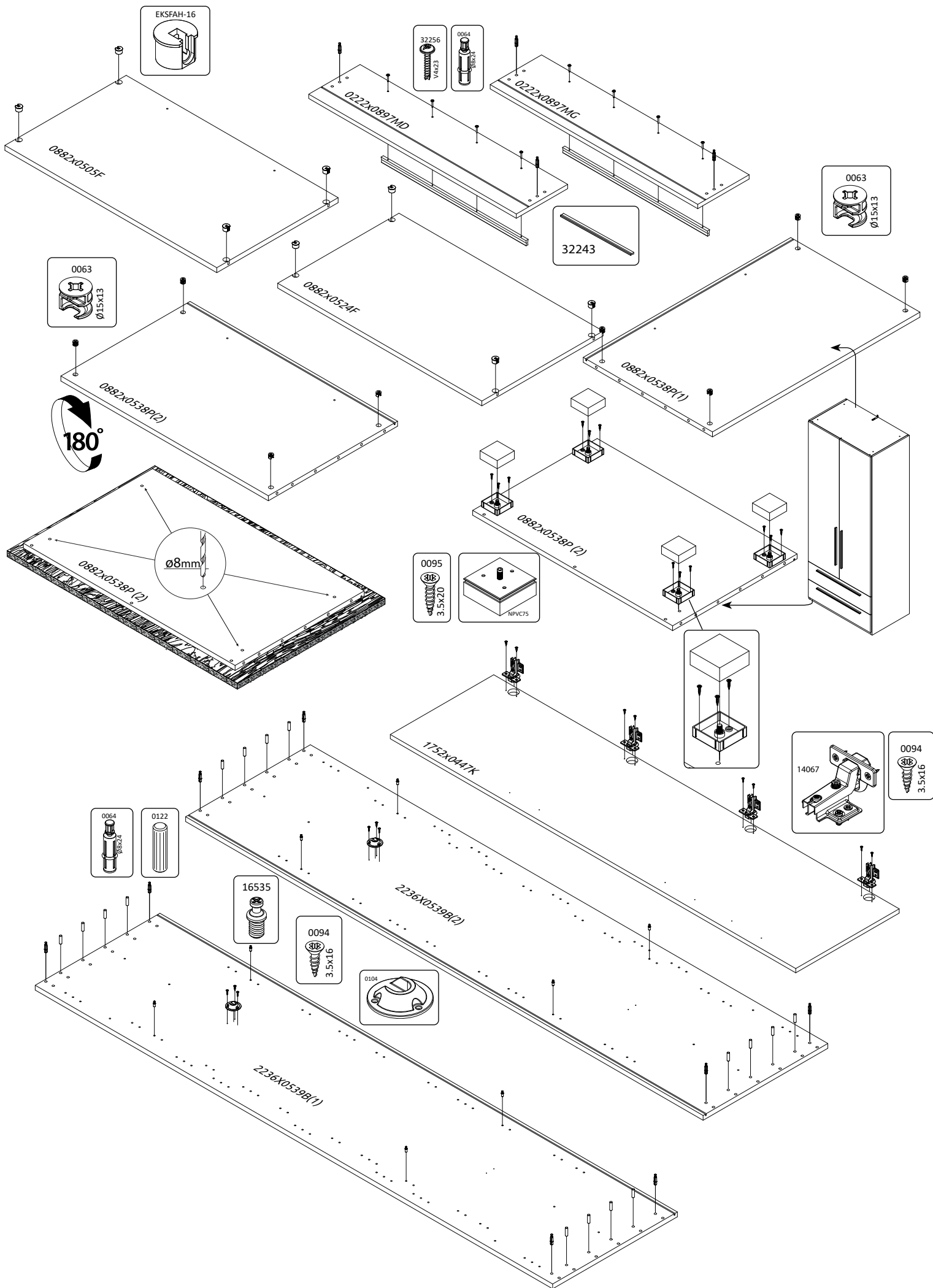


P22/PN
 LWH - 918x555x2236

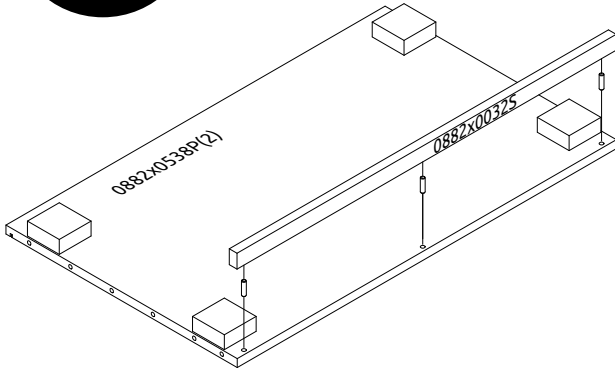
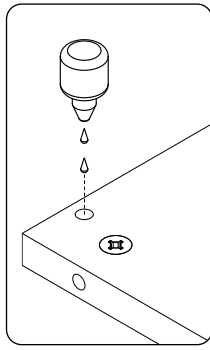
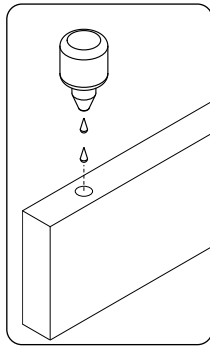
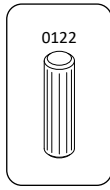


x22 0094 3.5x16	x12 2149	x2 0096 4x18	x16 32256 4x18	x8 10359 3x12	x8 0102	x8 16535	x12 0064 Ø8x24	x2 0104	x20 0122	x8 EKSAFH-16	x8 0063 Ø1.5x13	x4 0065 Ø1.5x10	x1 0113 GLUE
x4 EKSK	x16 CEPB	x8 14067		x1 10397	x4 NPVC75	x1 7004	x2 30820	x2 14081		x2 36894			
x4 EKSK4	x2 6319					x4 4237	x2 32243						

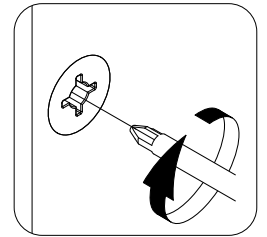
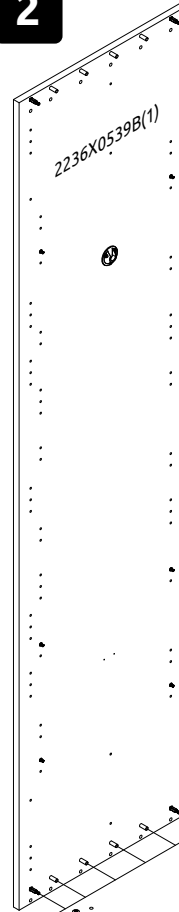




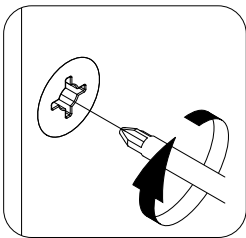
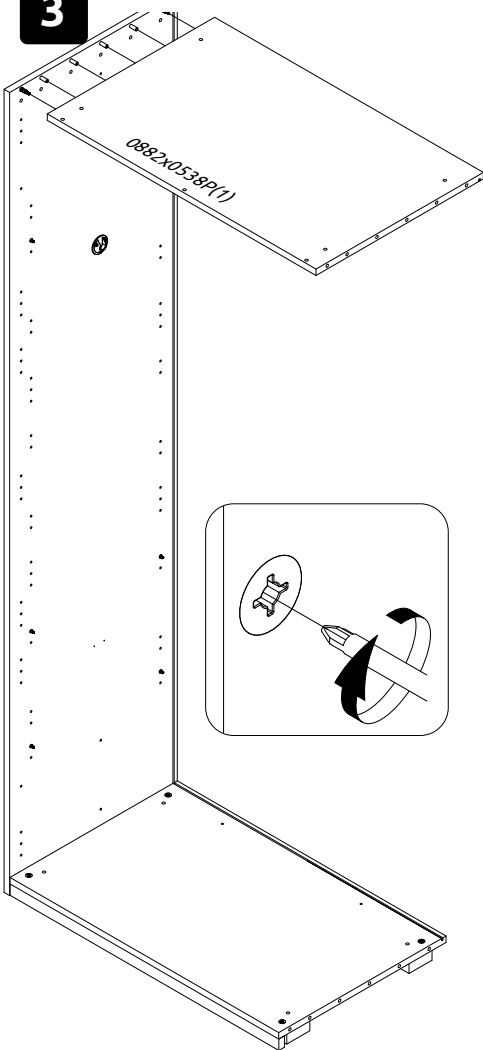
1



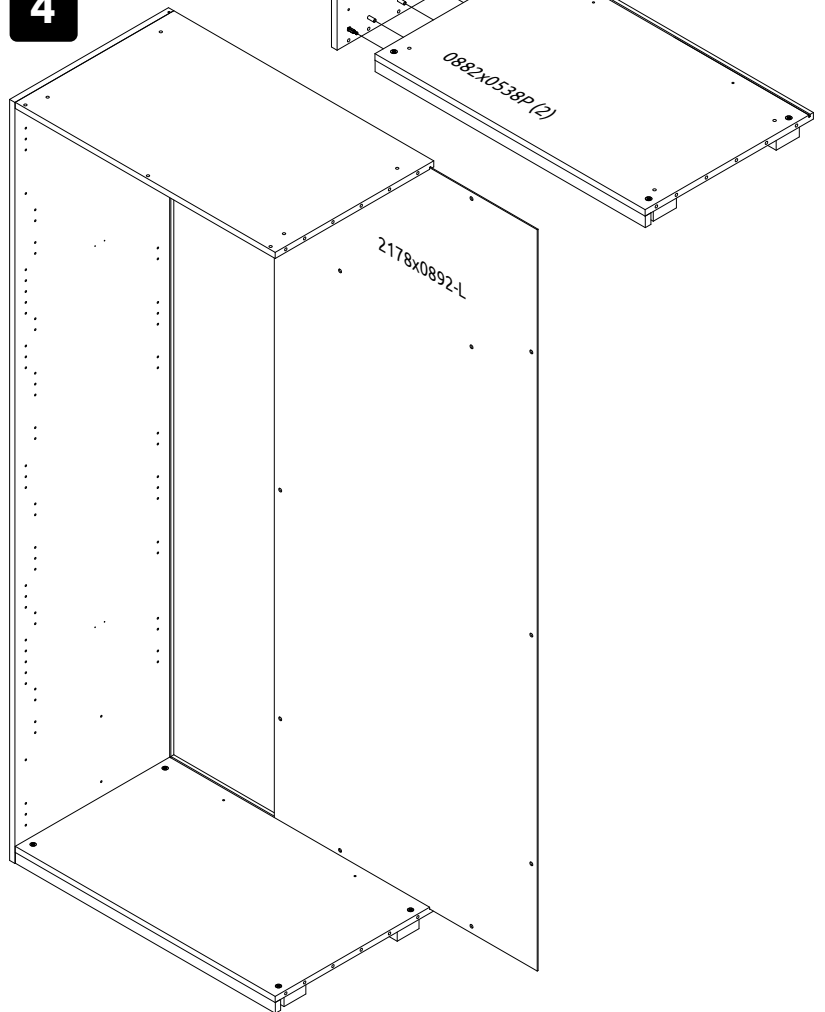
2



3



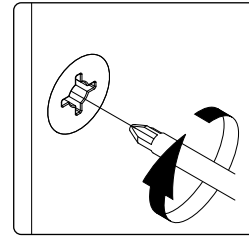
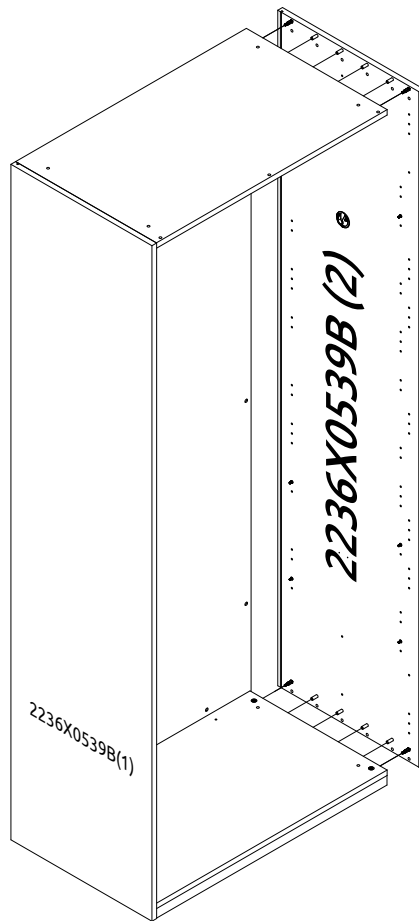
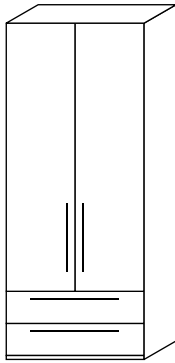
4



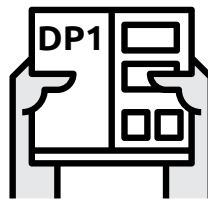
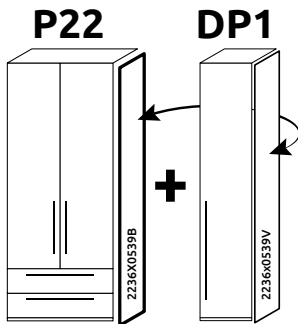
5



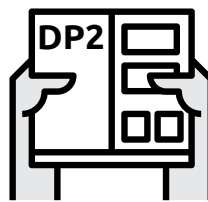
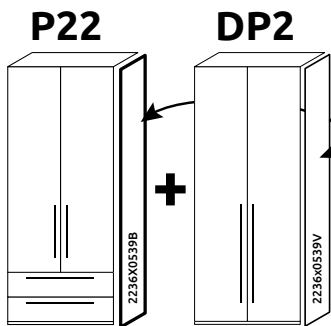
*opt 1



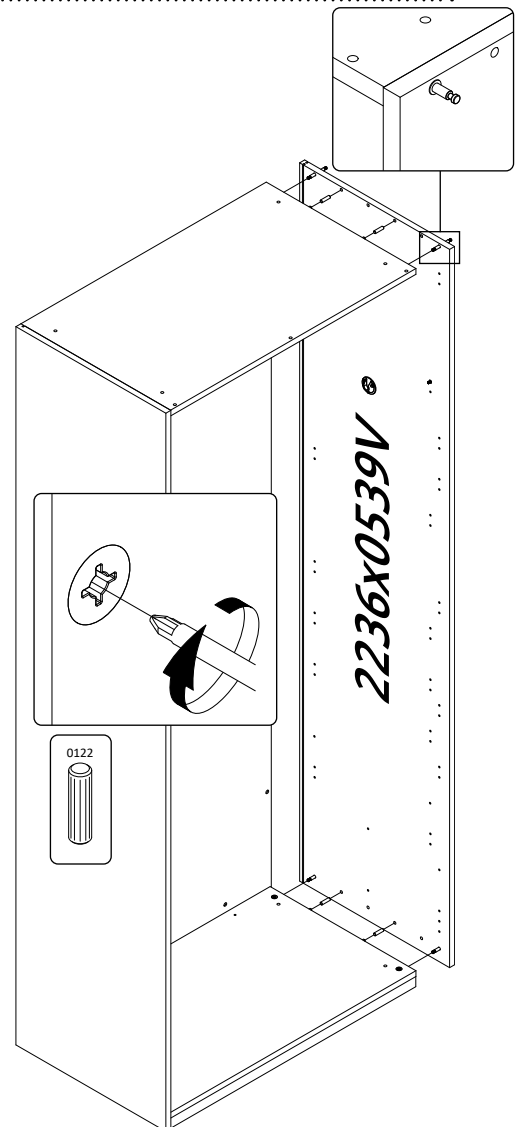
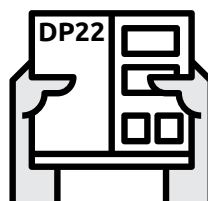
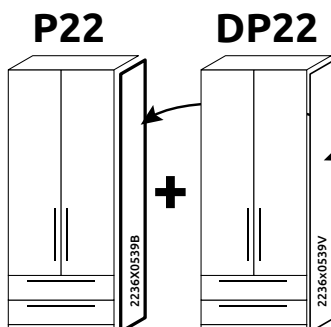
*opt 2

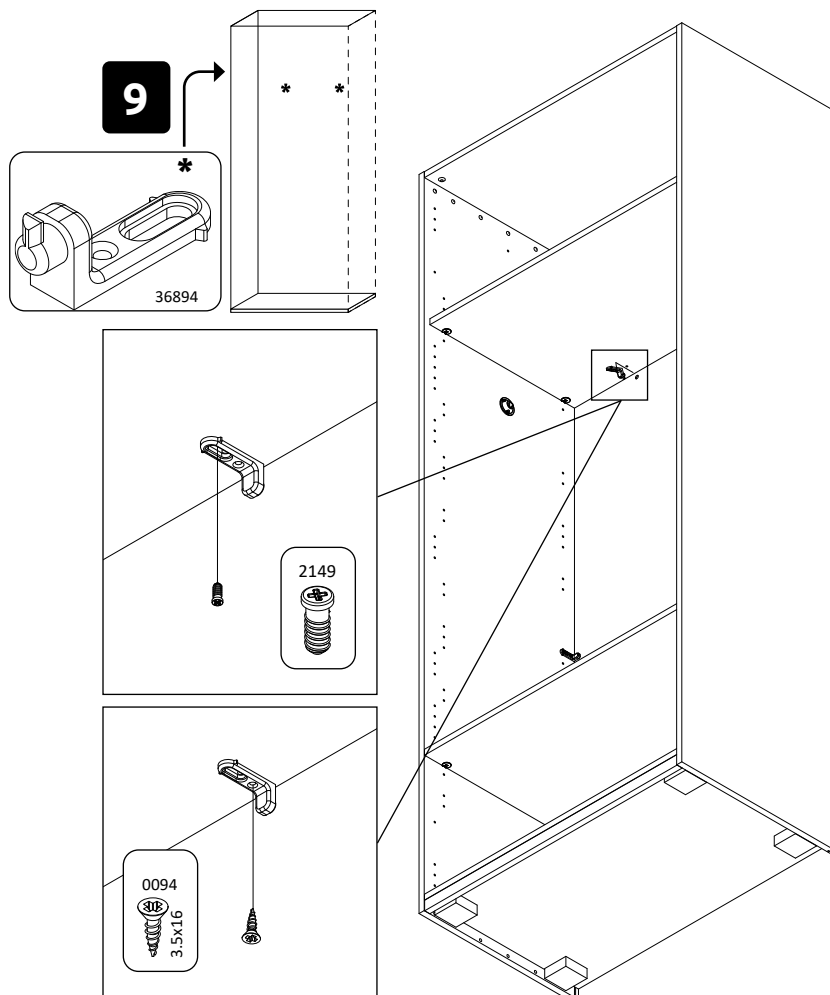
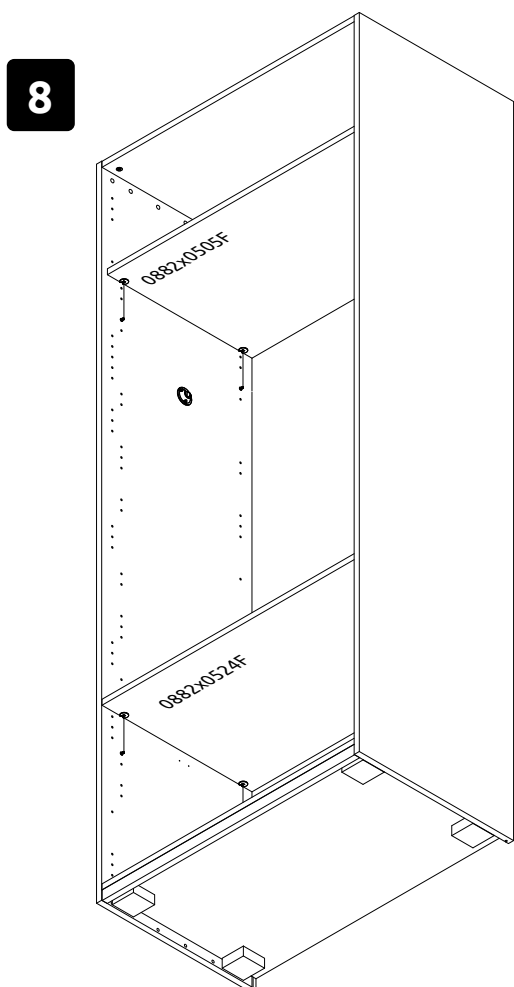
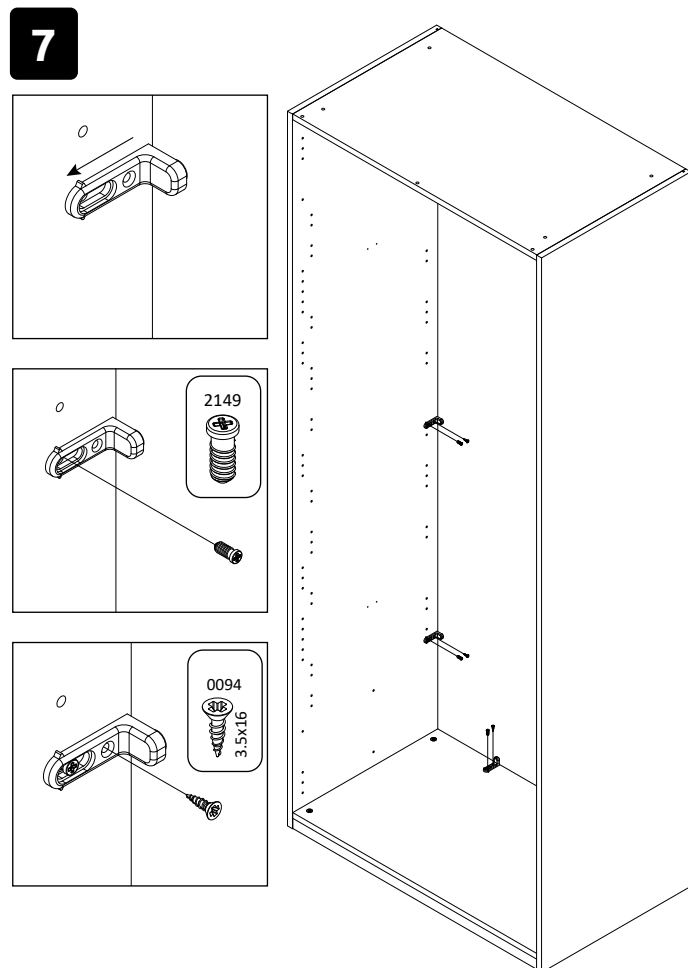
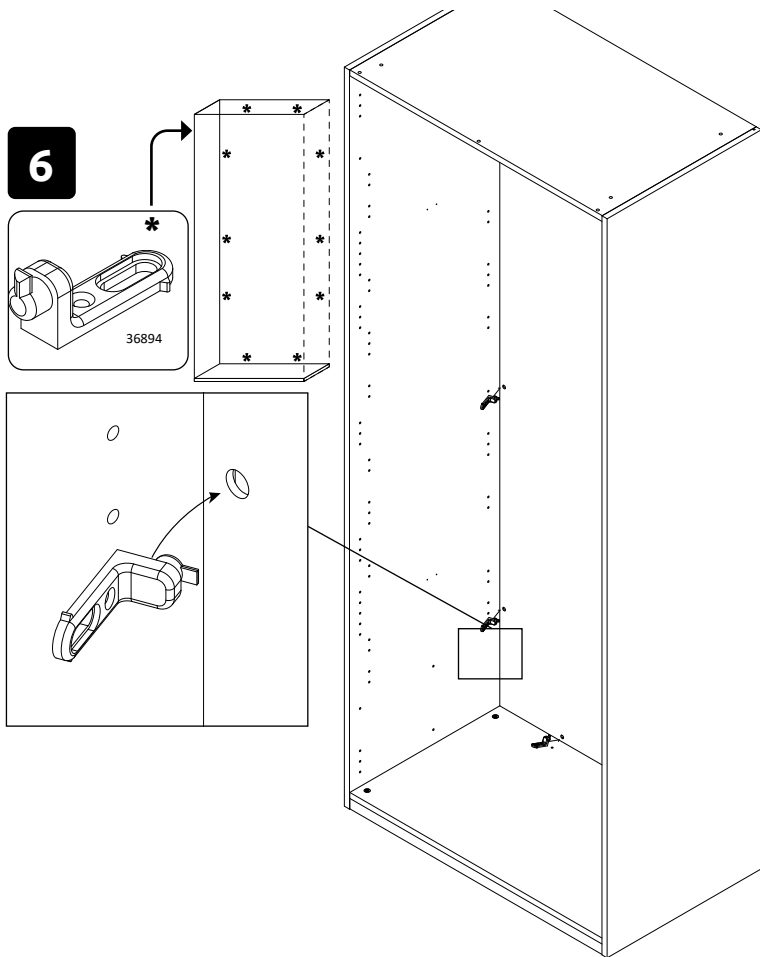


*opt 3

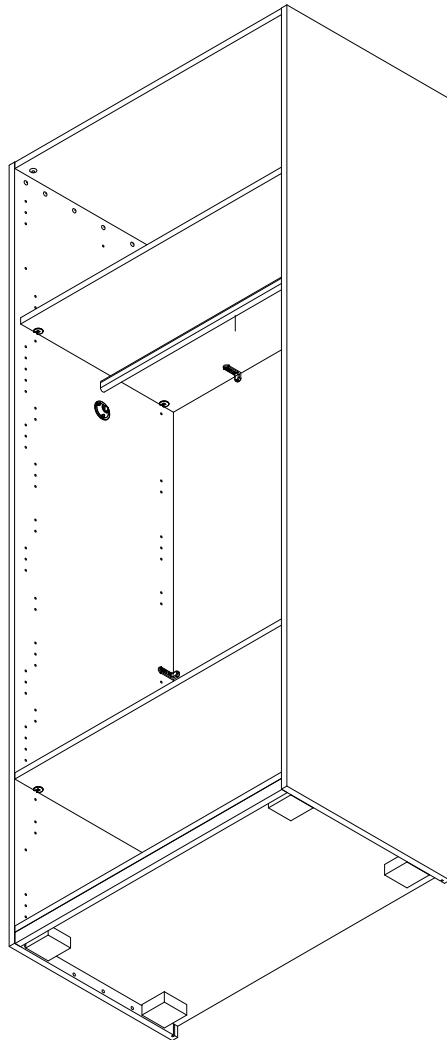
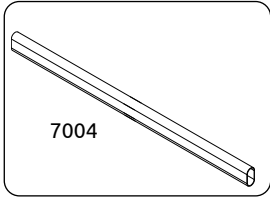


*opt 4

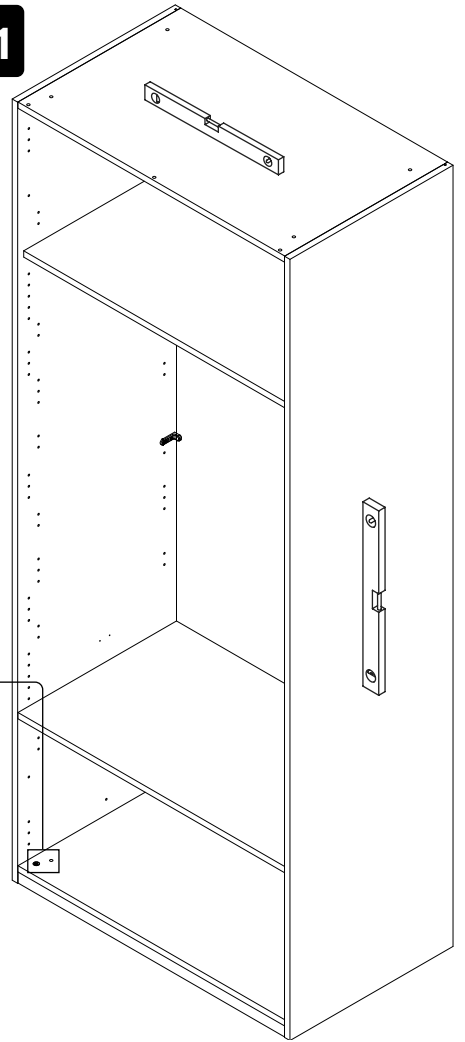
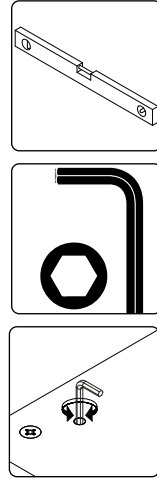




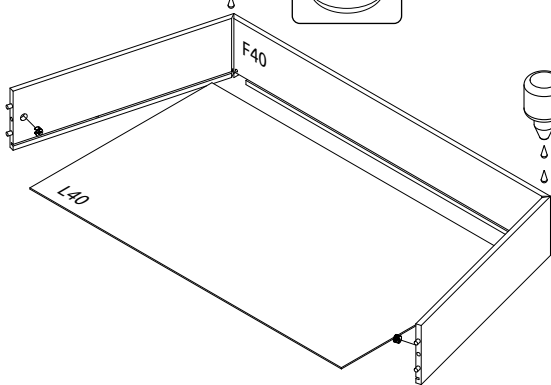
10



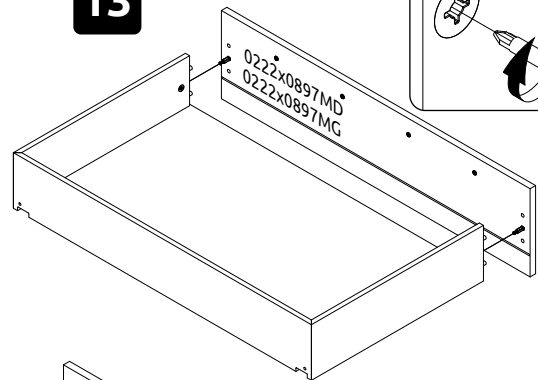
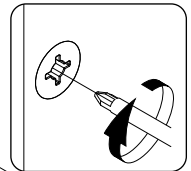
11



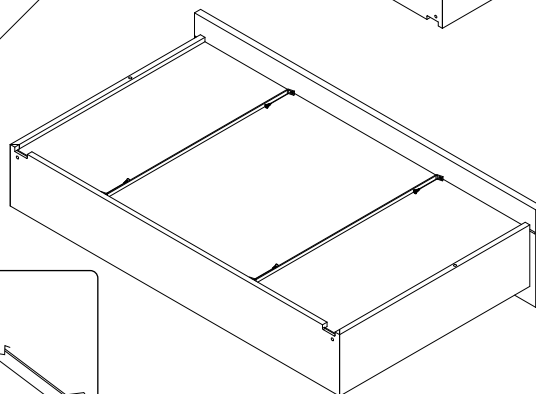
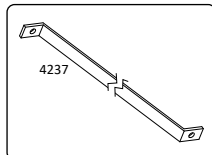
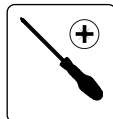
12



13



14

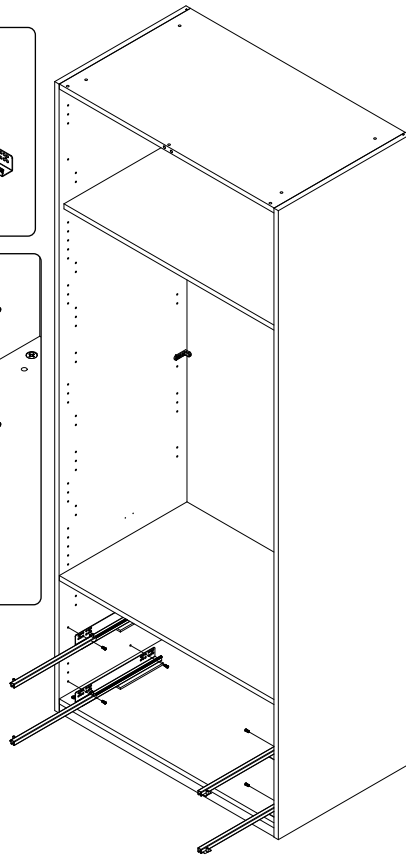
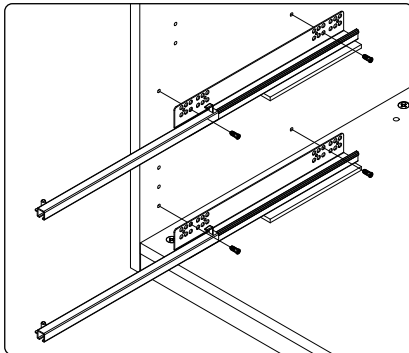
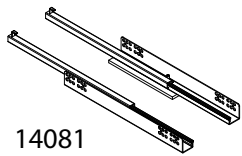


15

0102



14081

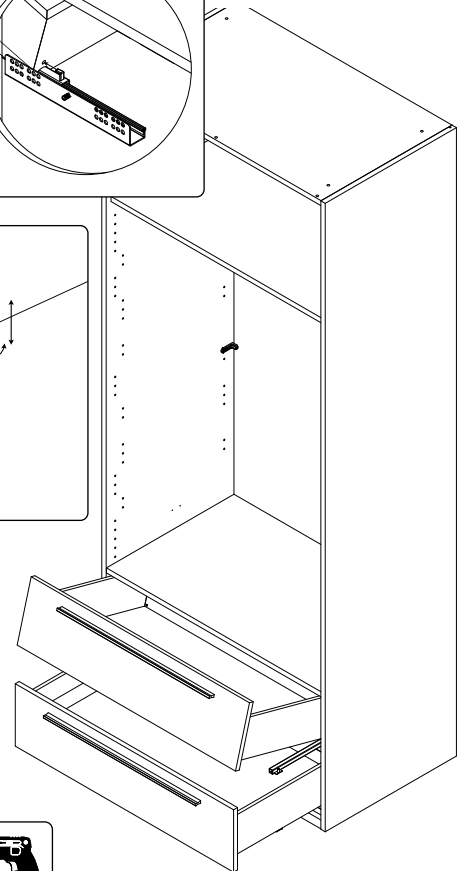
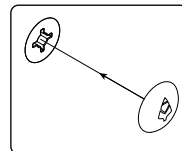
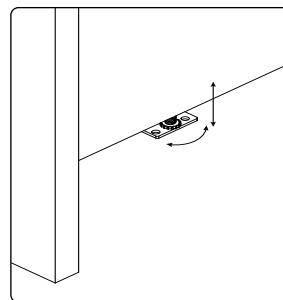
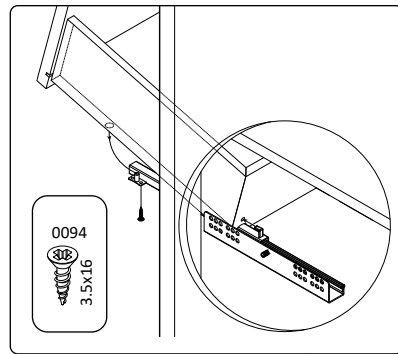


16

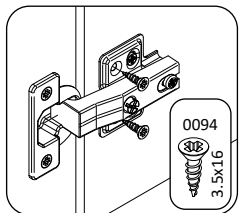
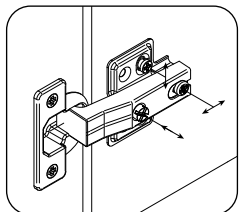
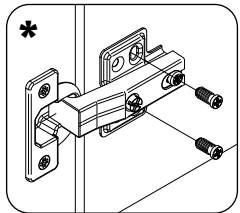
0094



3.5x16



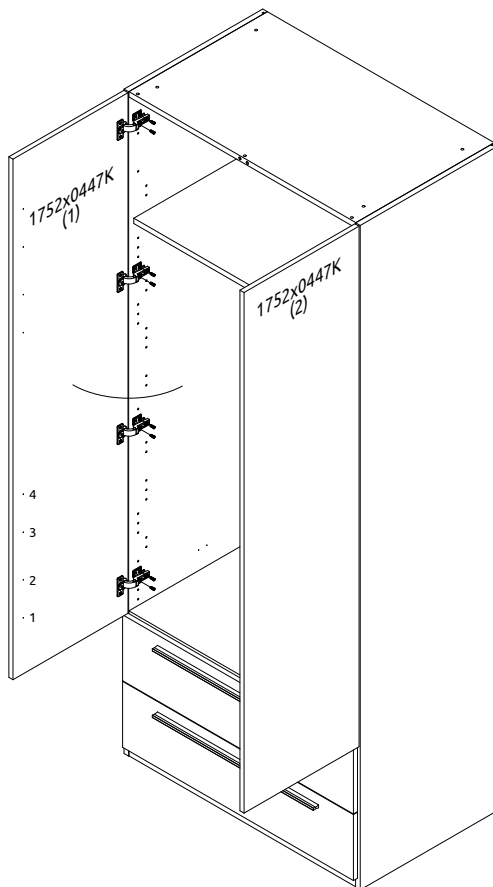
17



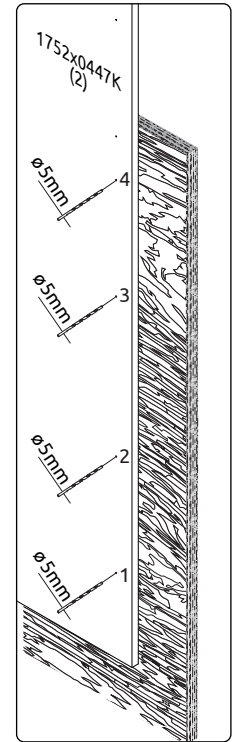
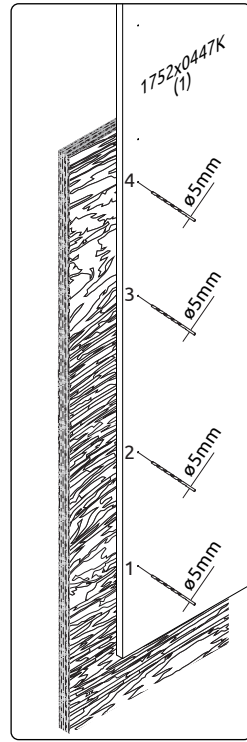
0094



3.5x16



18



19

