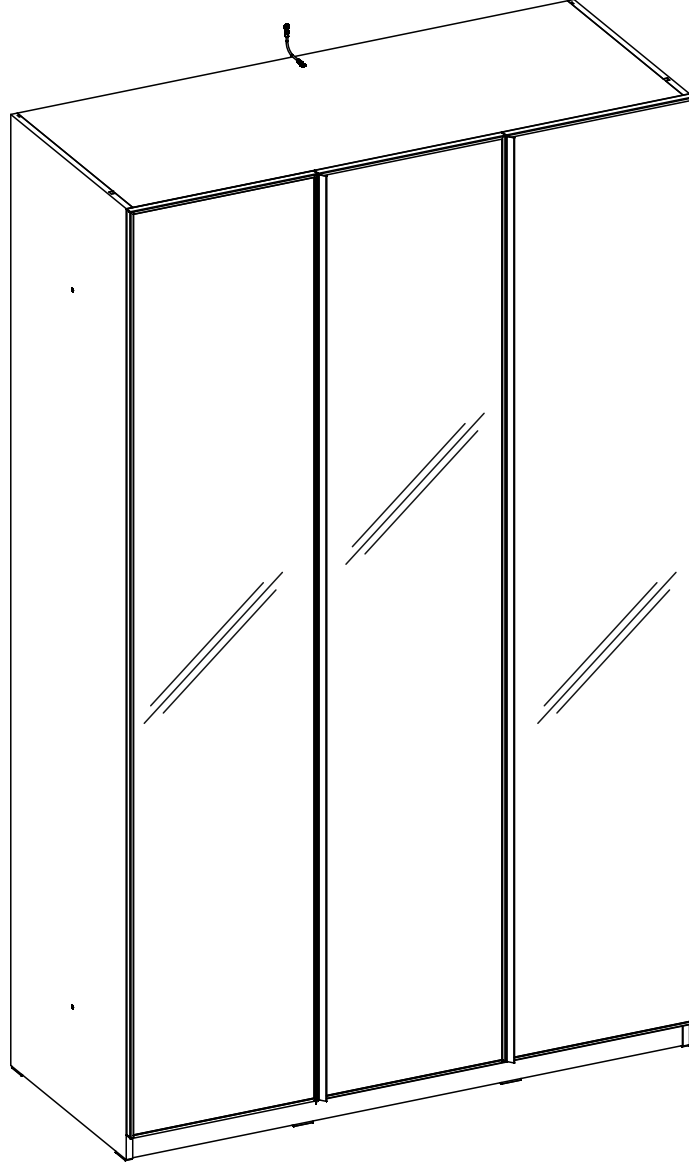


20.52.1009.00



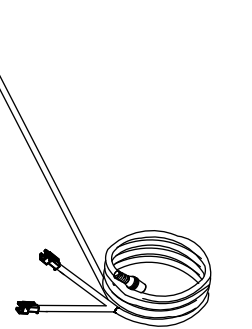
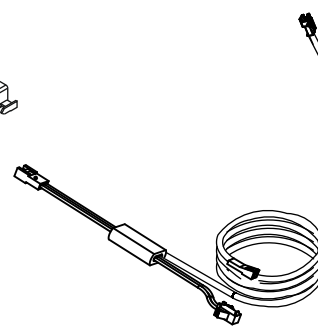
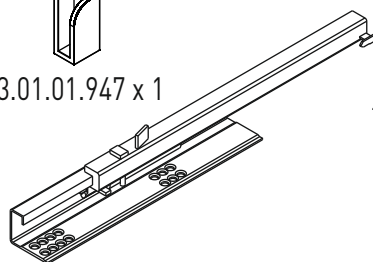
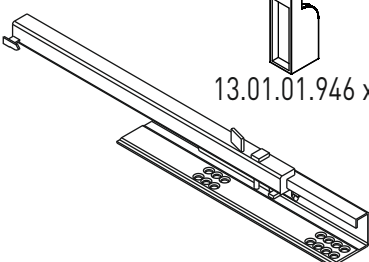
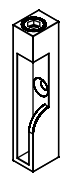
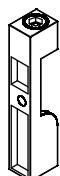
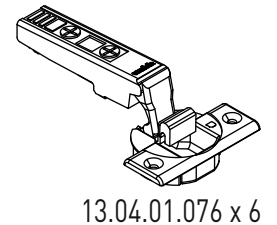
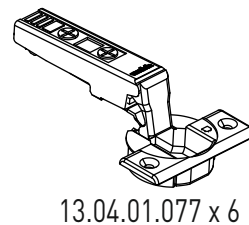
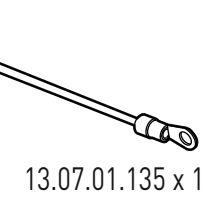
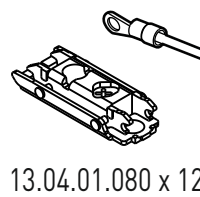
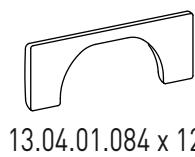
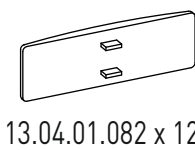
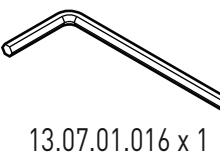
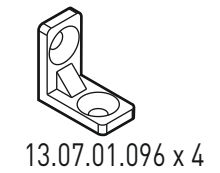
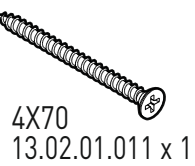
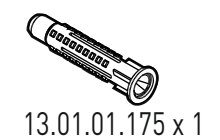
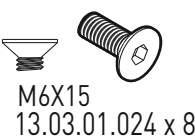
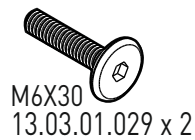
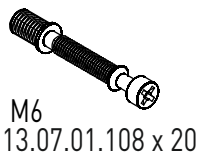
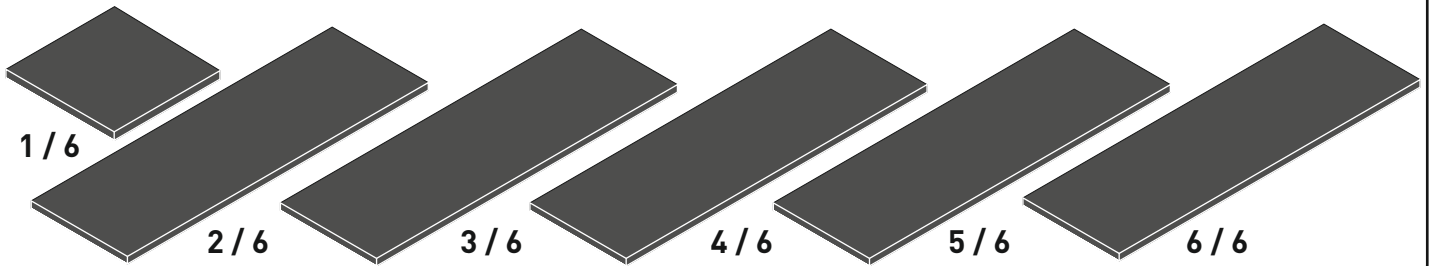
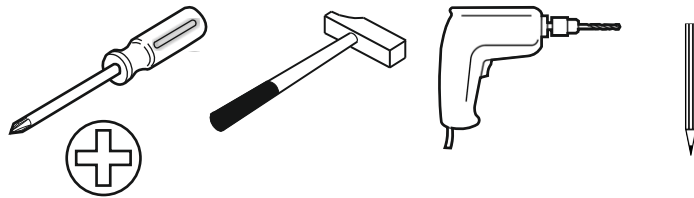
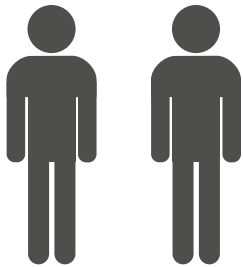
GARANTİ BELGESİ VE
KULLANMA KILAVUZU



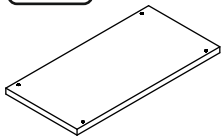
WARRANTY CERTIFICATE
AND USER MANUAL

شهادة الضمان ودليل المستخدم

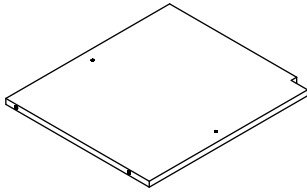




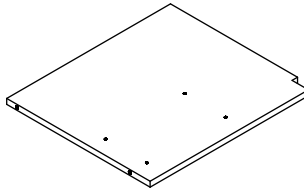
1/6



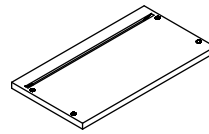
18.52.1009.010 x 2



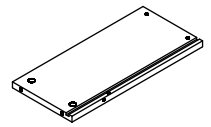
18.52.1009.011 x 1



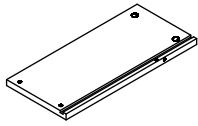
18.52.1009.012 x 1



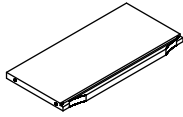
18.52.1009.013 x 2



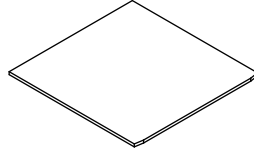
18.52.1009.014 x 2



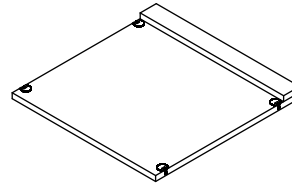
18.52.1009.015 x 2



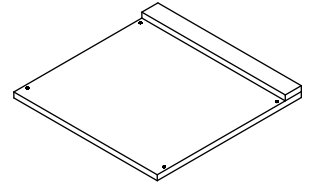
18.52.1009.016 x 2



18.52.1009.017 x 2

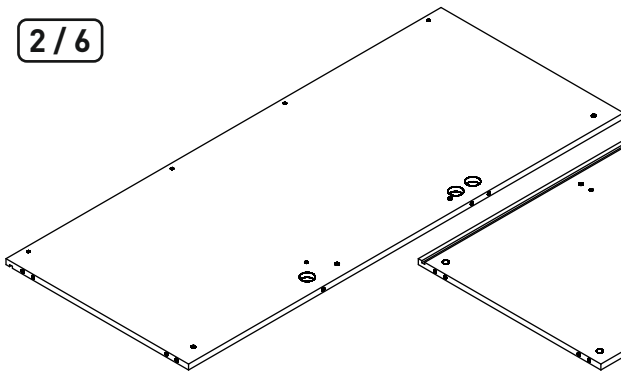


18.52.1009.028 x 1

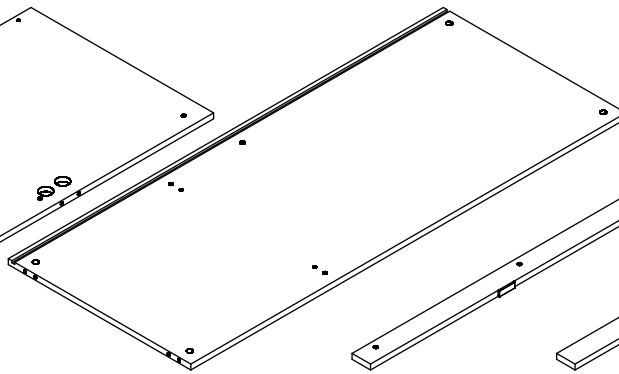


18.52.1009.029 x 2

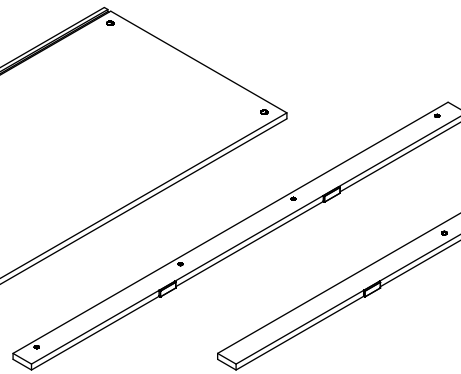
2/6



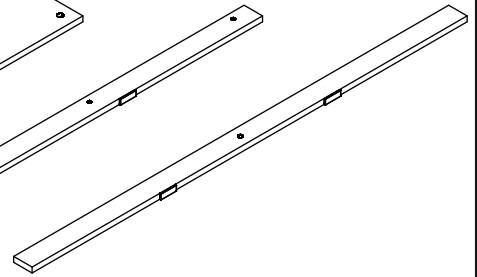
18.52.1009.003 x 1



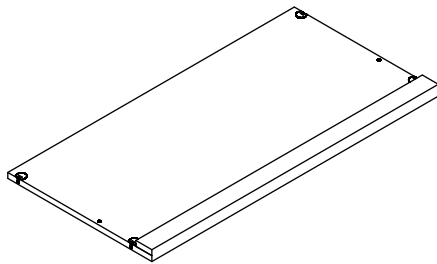
18.52.1009.004 x 1



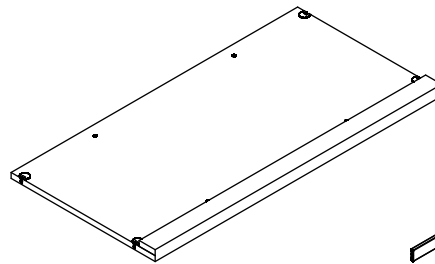
18.52.1009.018 x 1



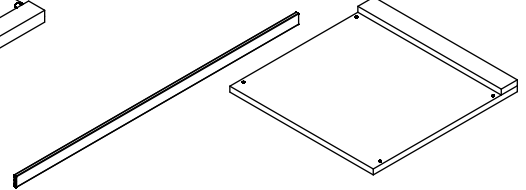
18.52.1009.019 x 1



18.52.1009.026 x 1



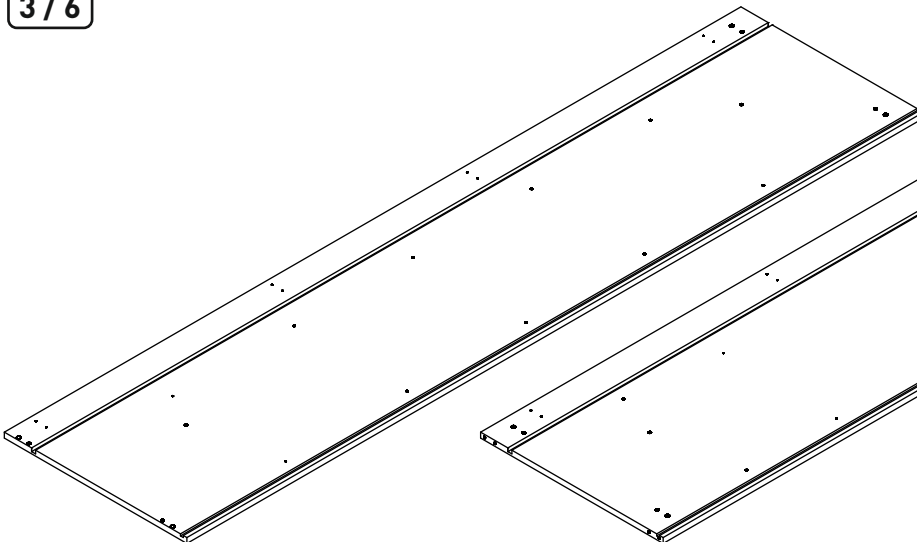
18.52.1009.027 x 1



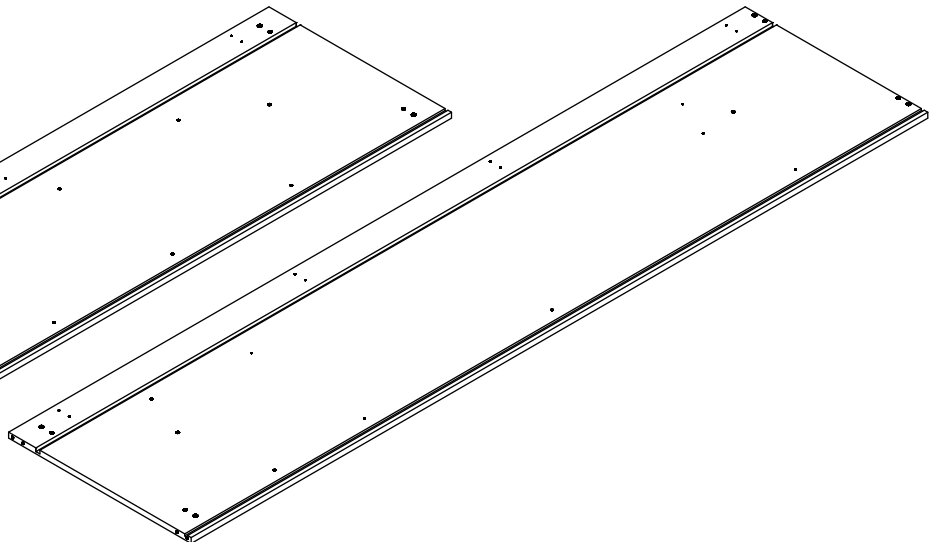
18.52.1009.201 x 1

18.52.1009.031 x 2

3/6

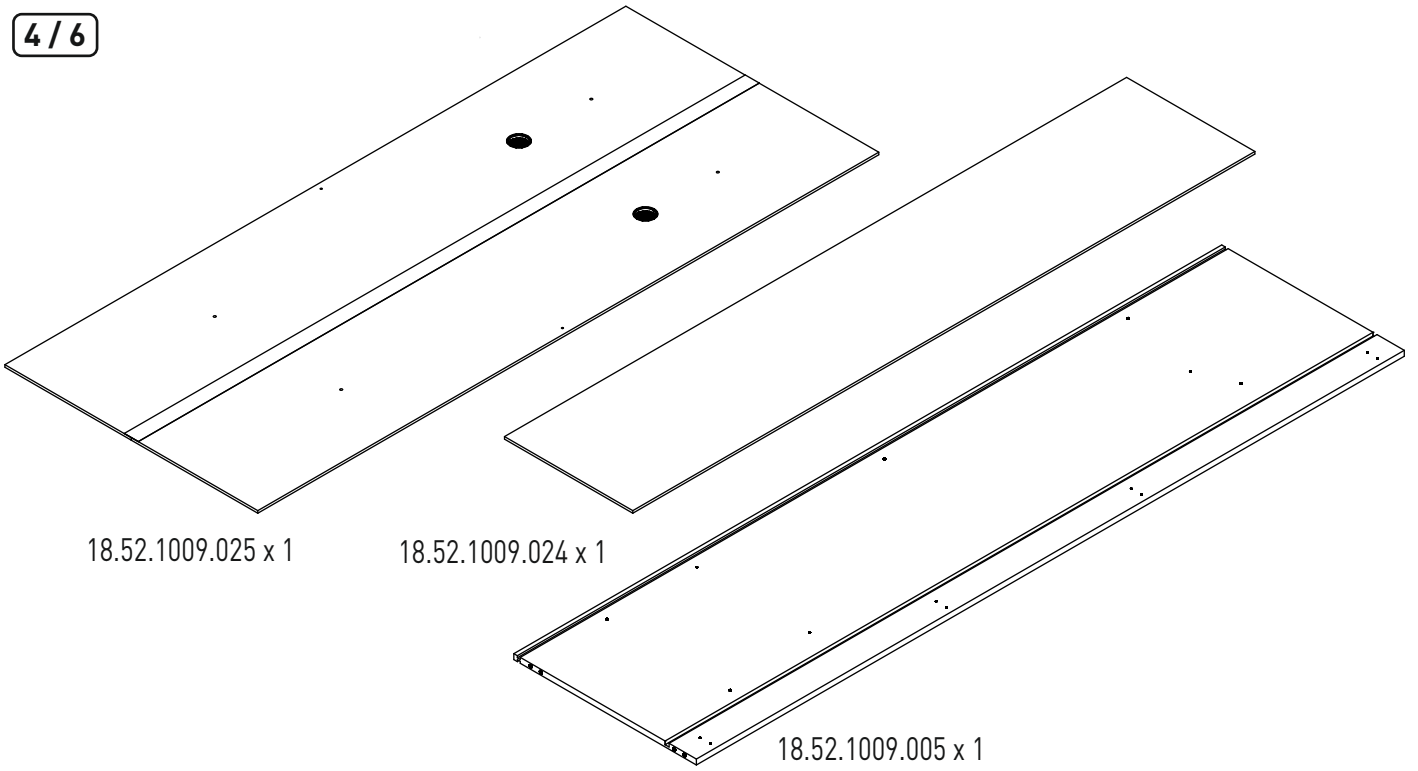


18.52.1009.002 x 1



18.52.1009.001 x 1

4/6

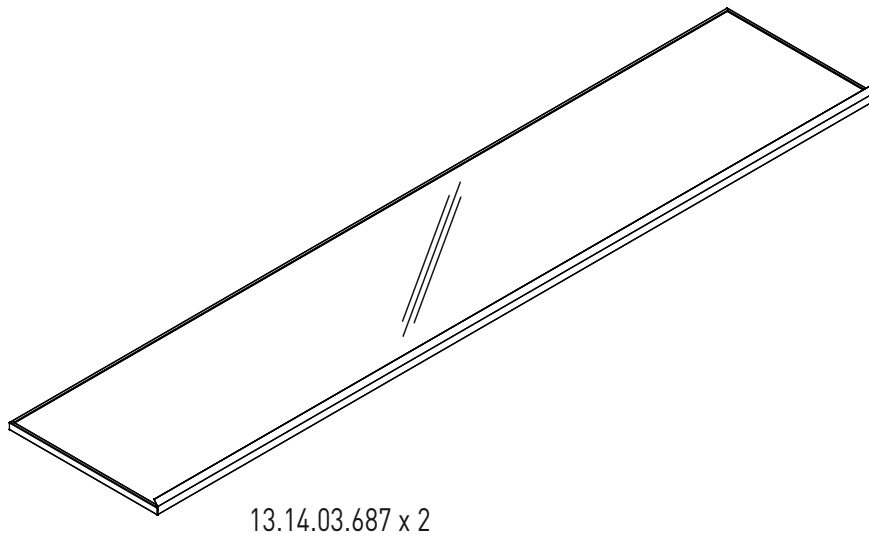


18.52.1009.025 x 1

18.52.1009.024 x 1

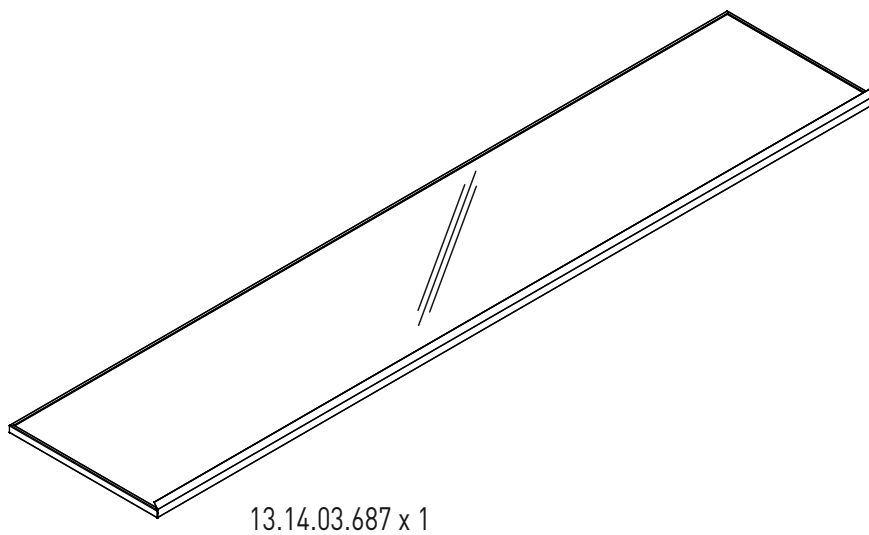
18.52.1009.005 x 1

5/6

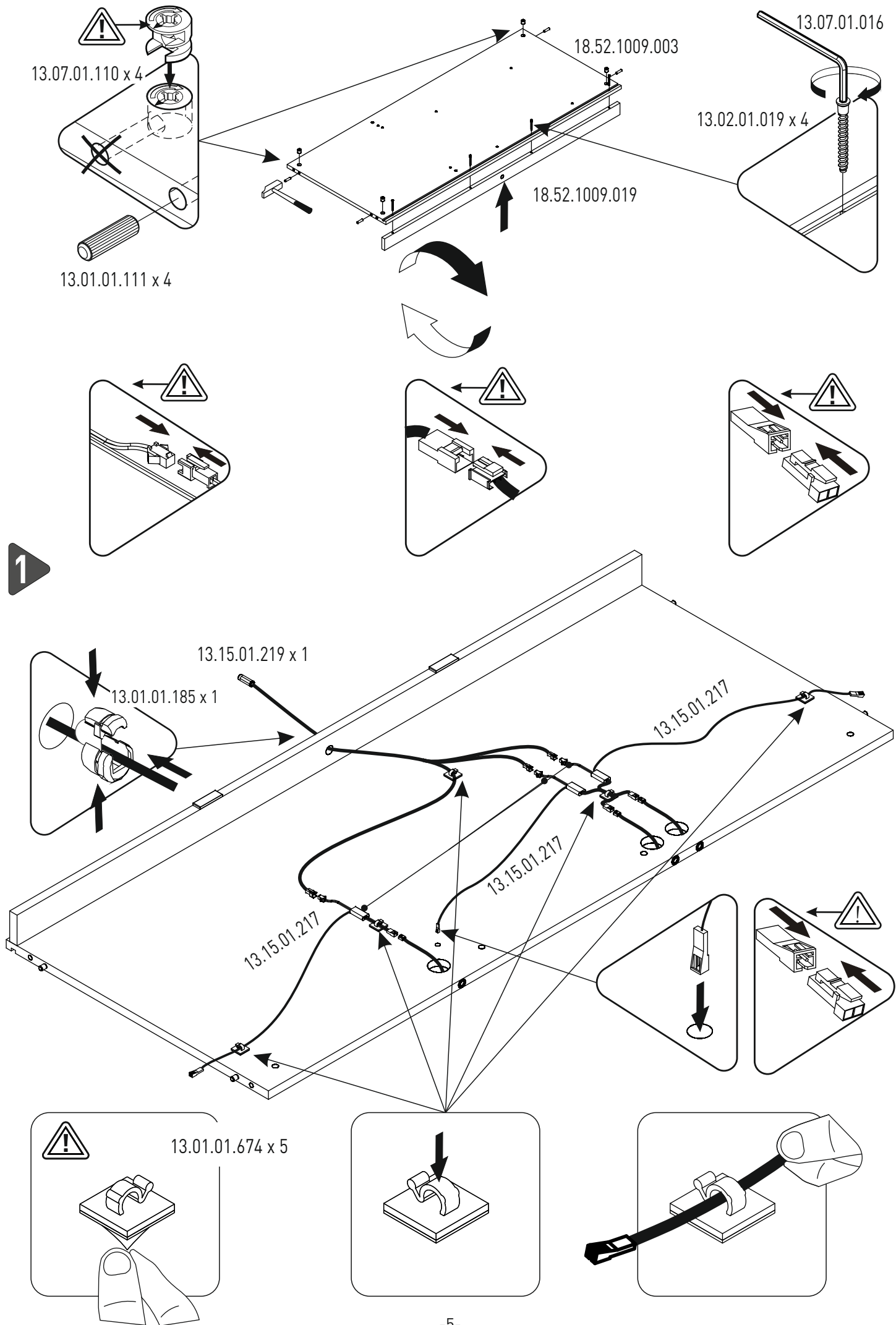


13.14.03.687 x 2

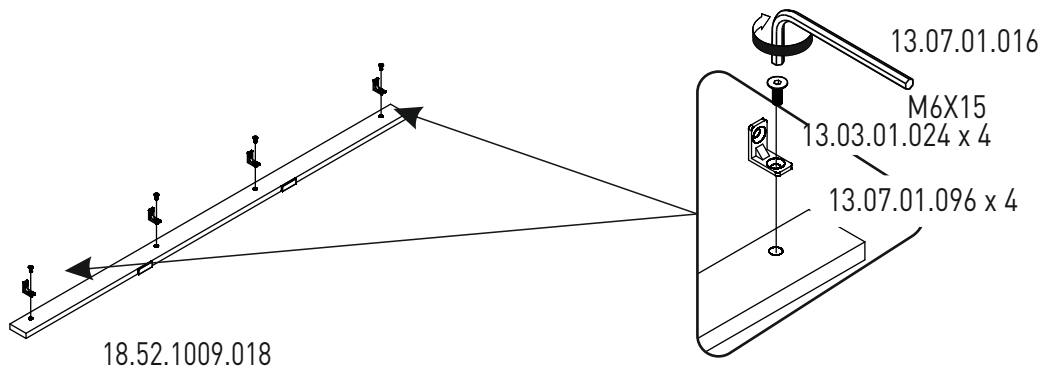
6/6



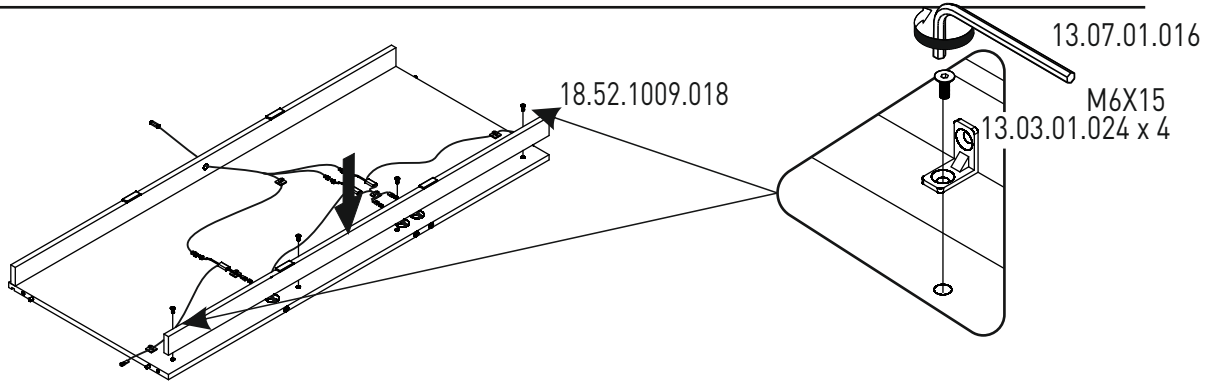
13.14.03.687 x 1



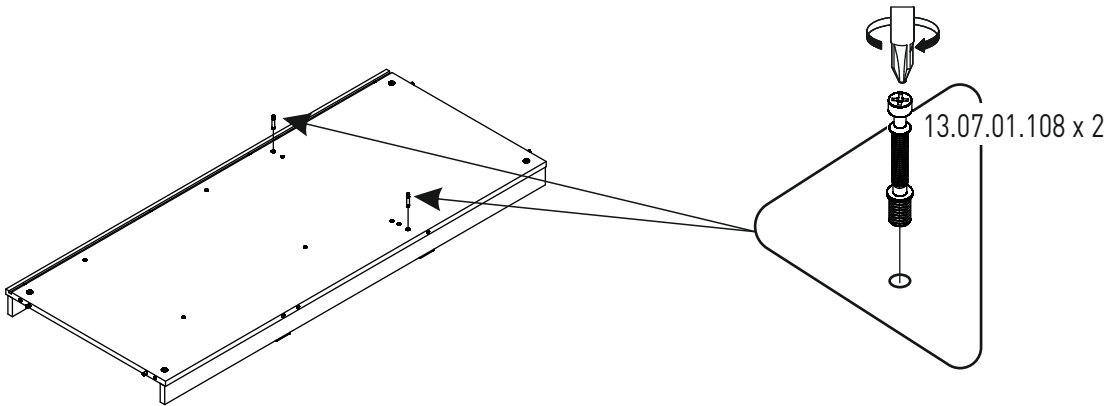
2



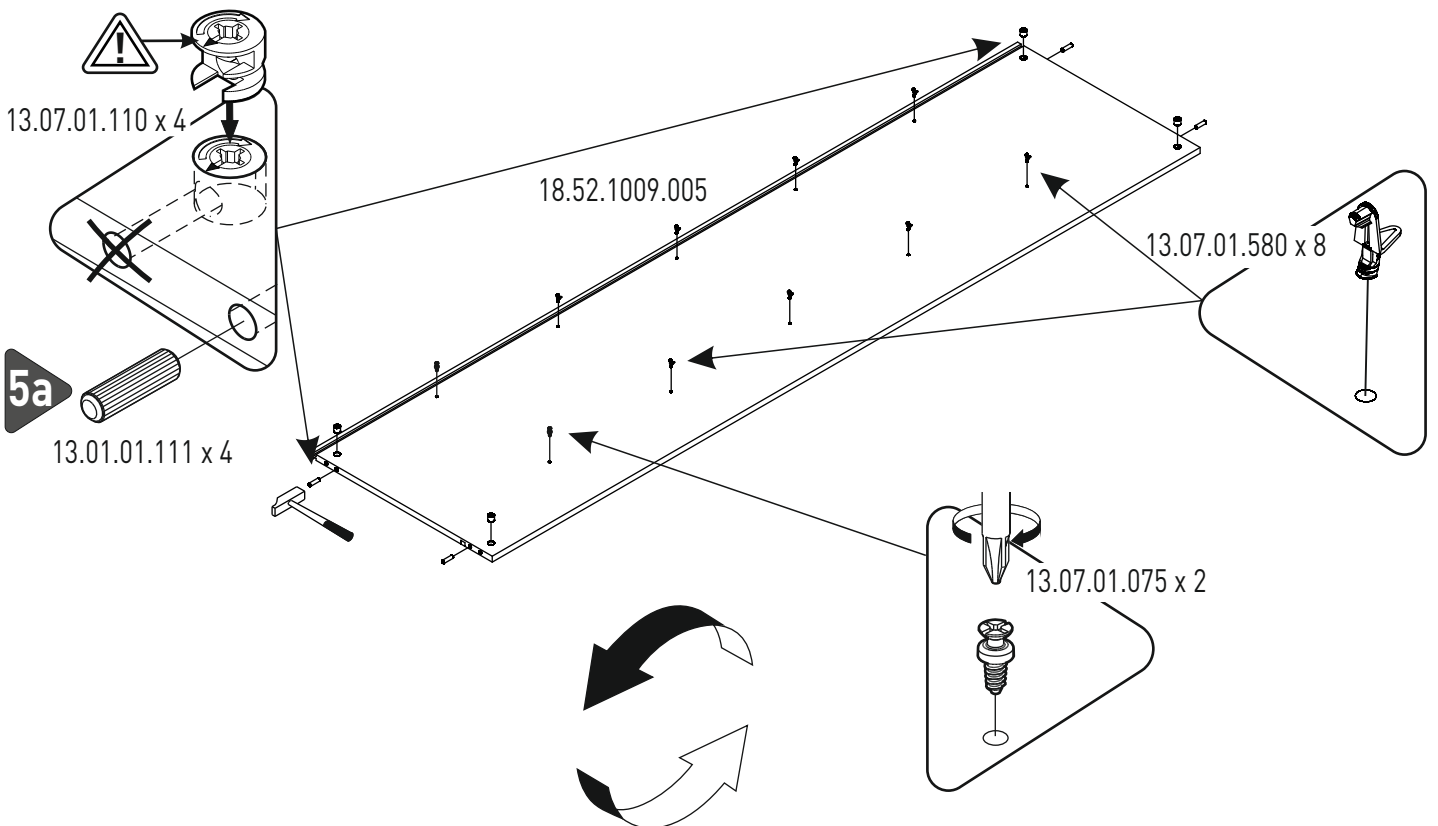
3

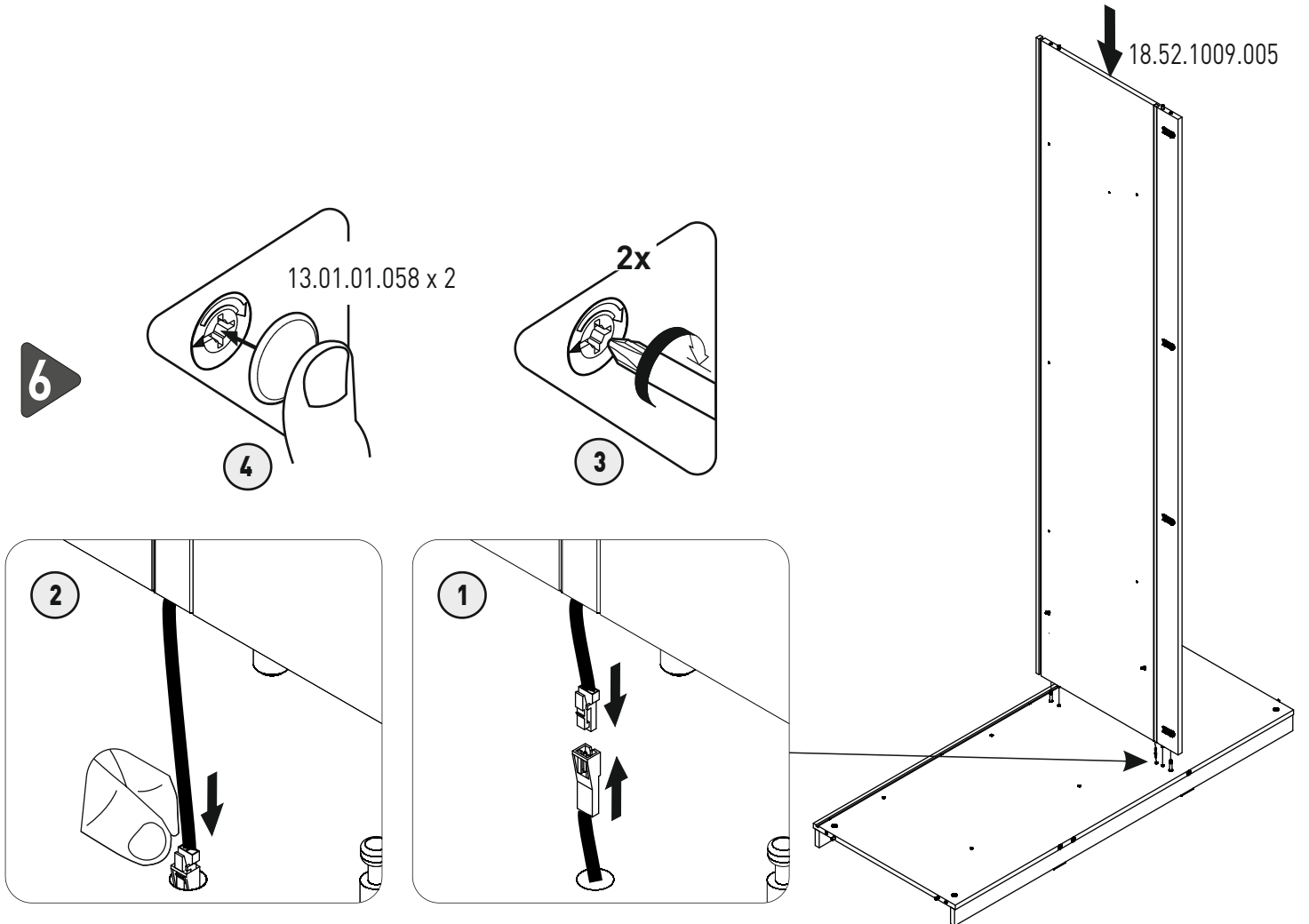
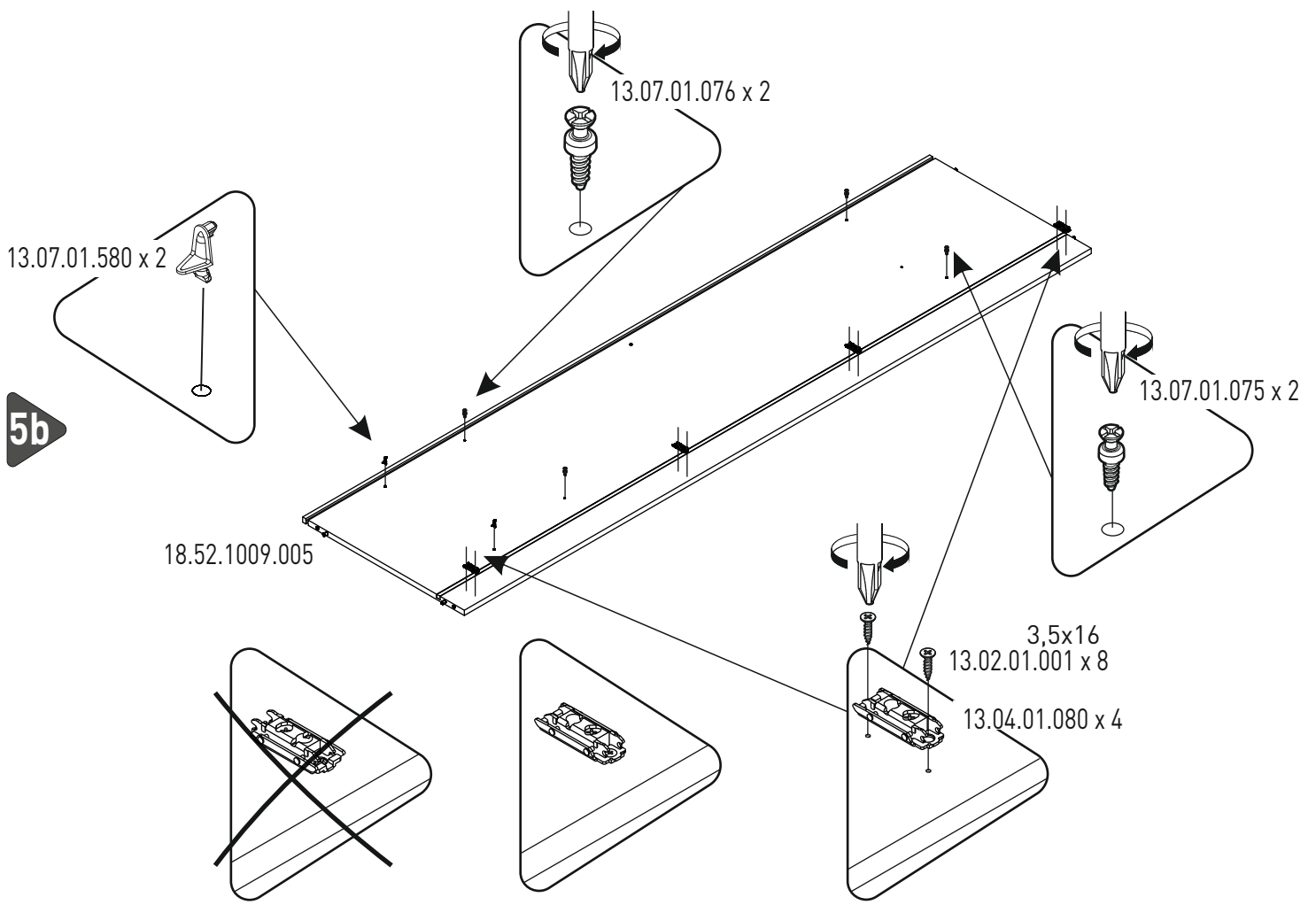


4



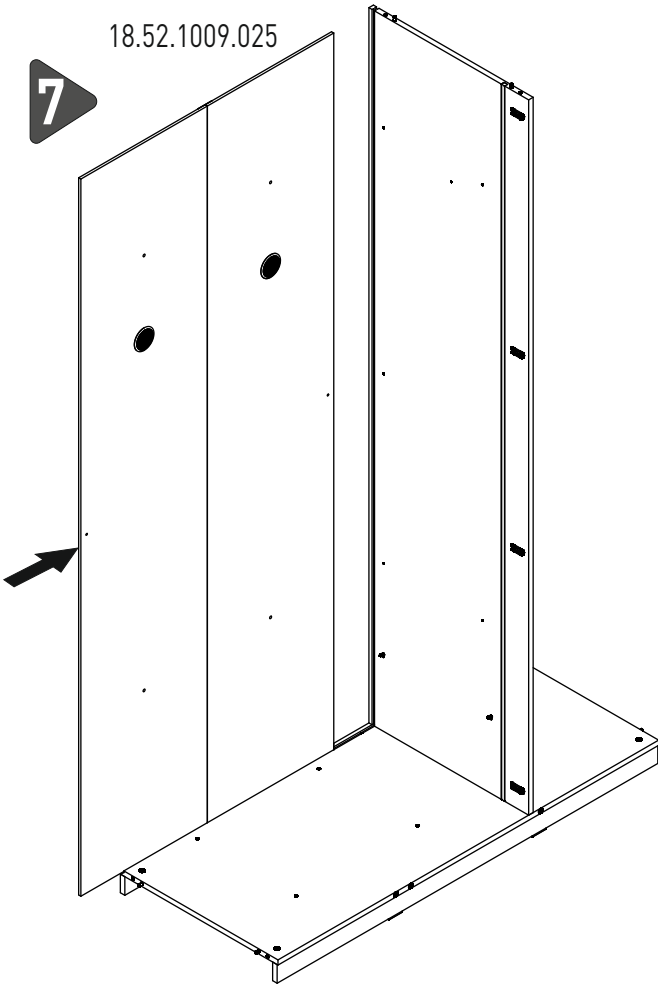
5a



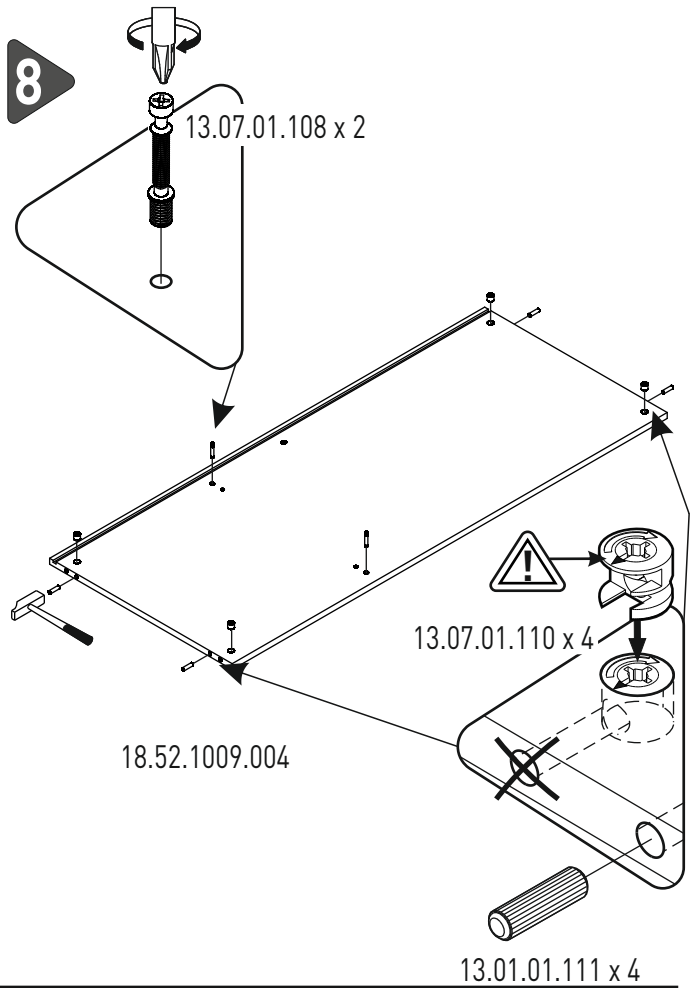


18.52.1009.025

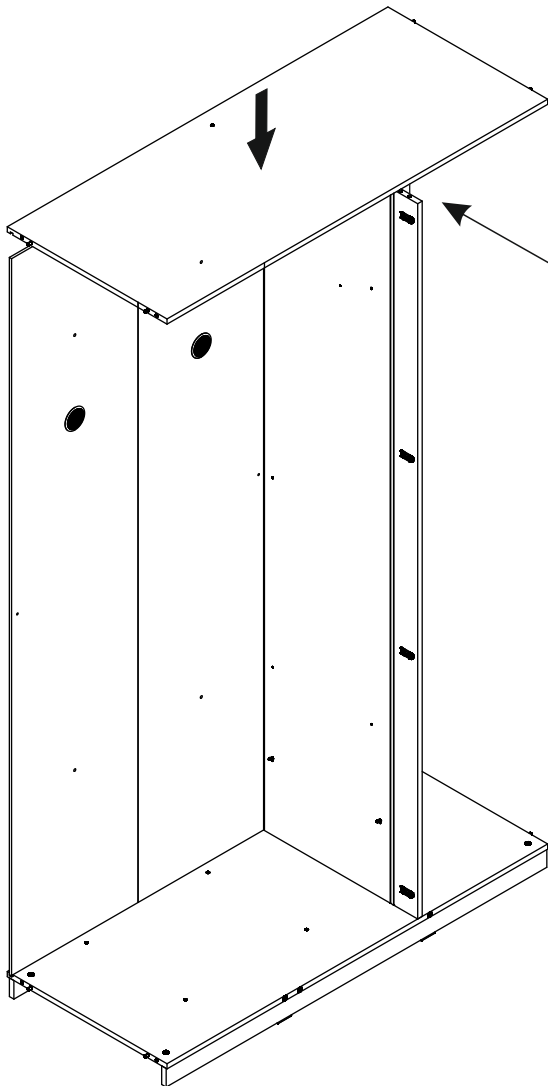
7



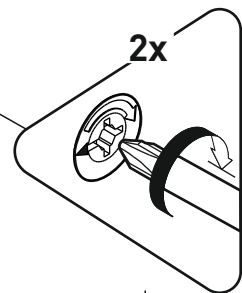
8



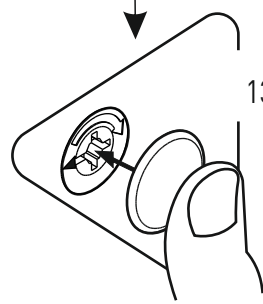
9



18.52.1009.004

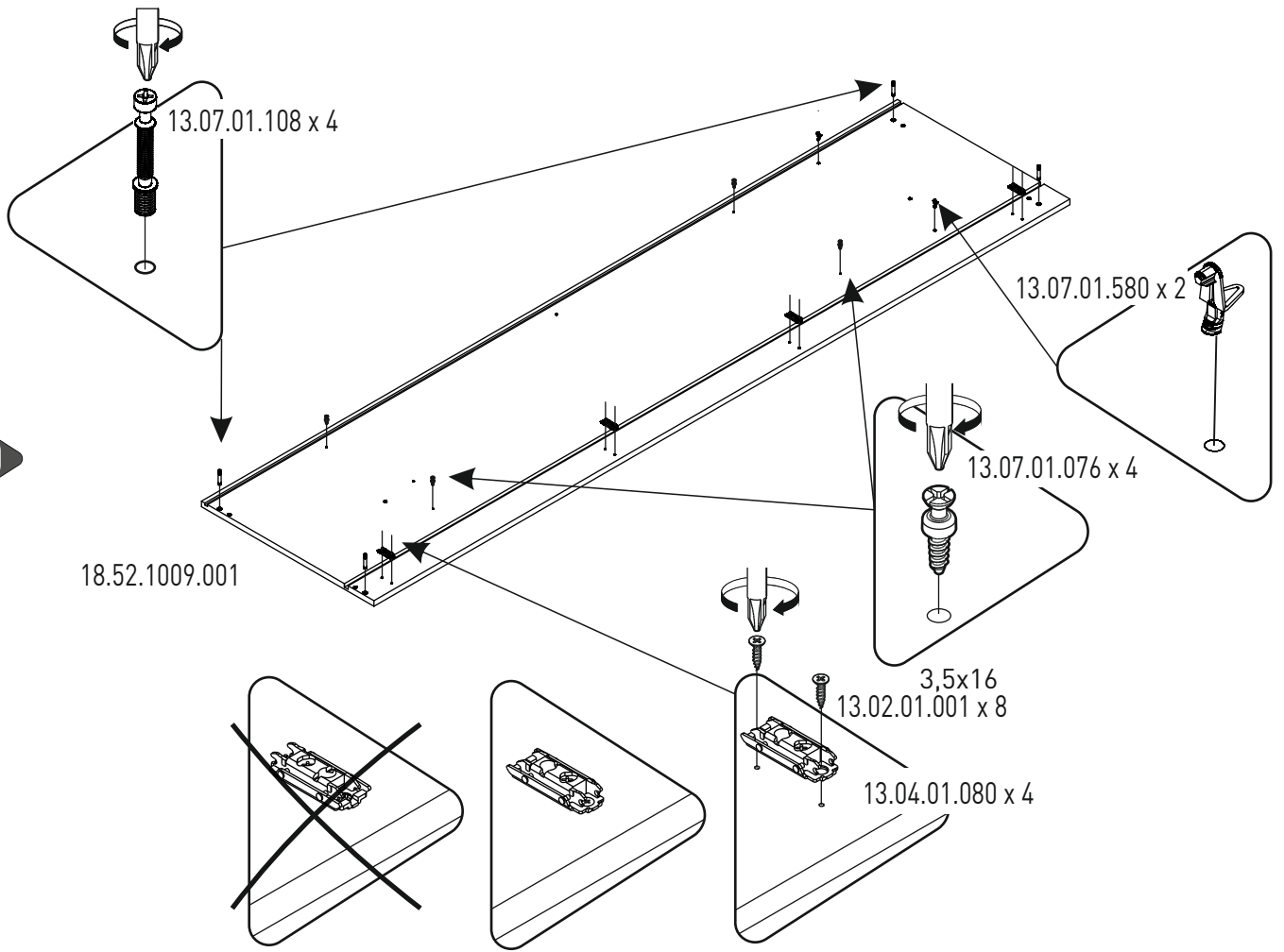


2x

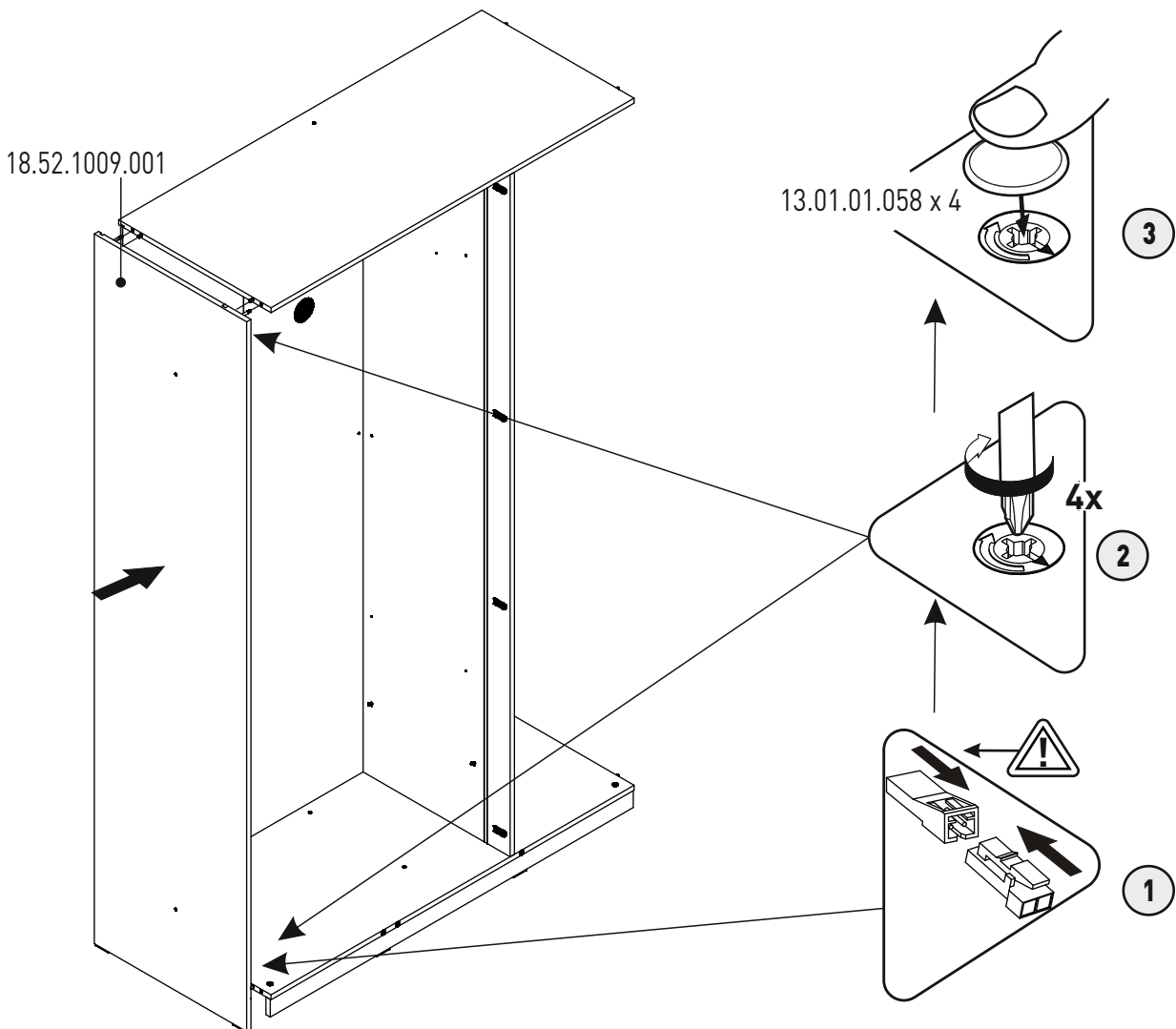


13.01.01.058 x 2

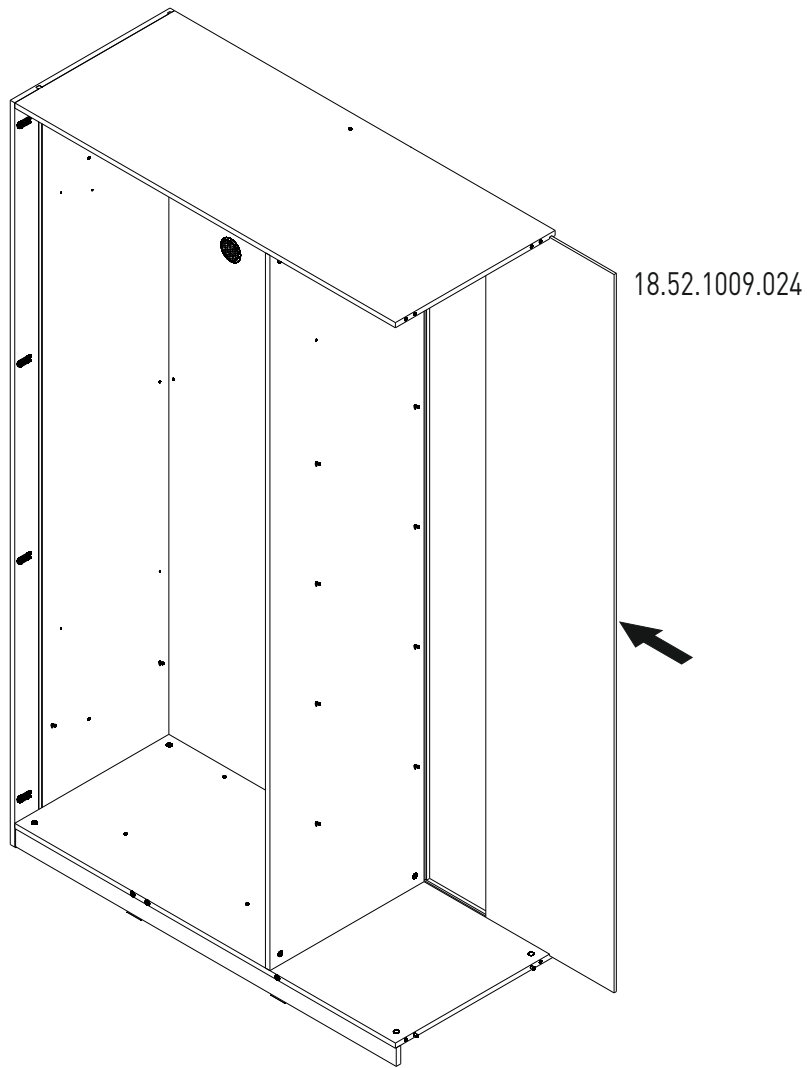
10



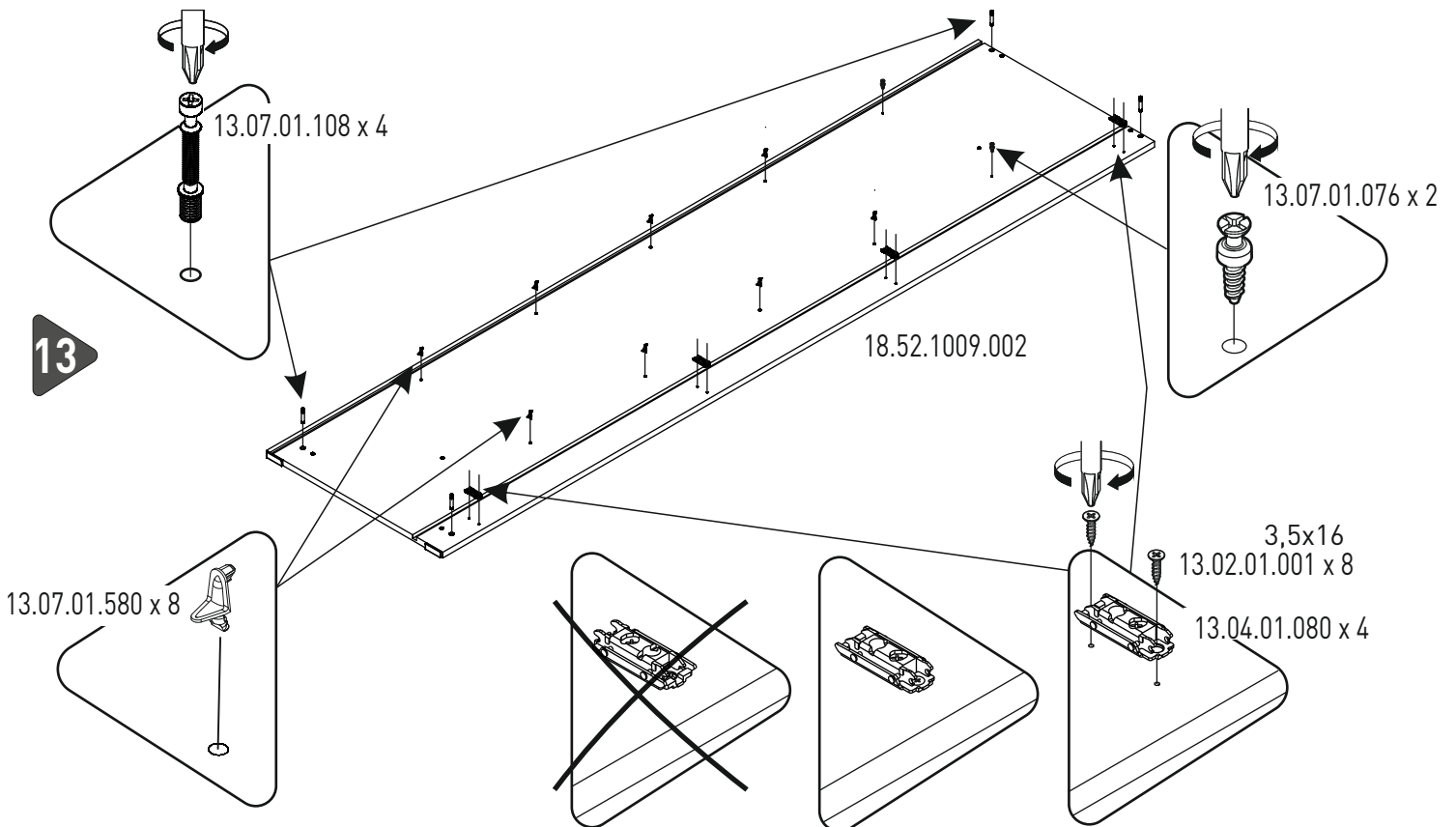
11



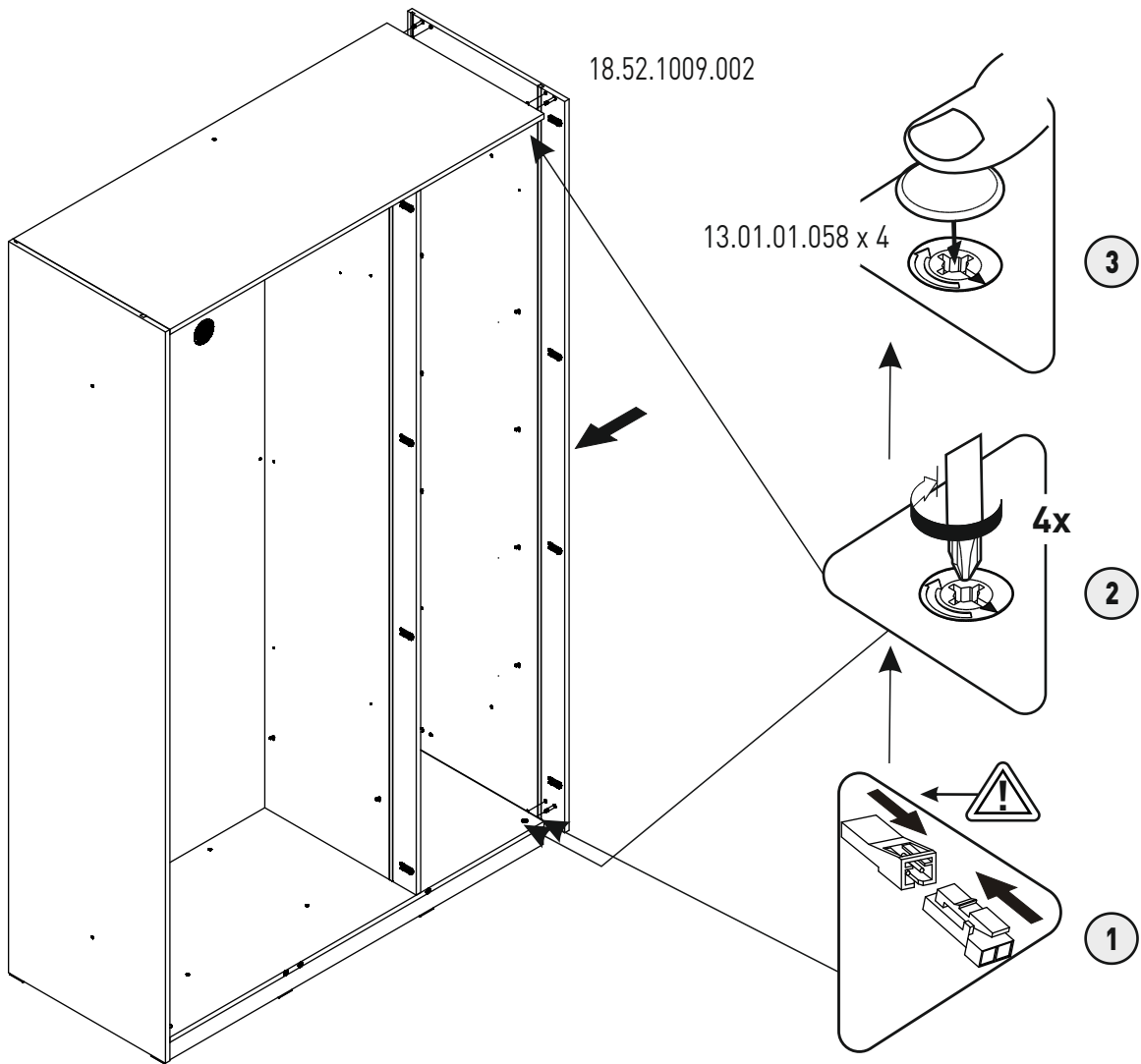
12



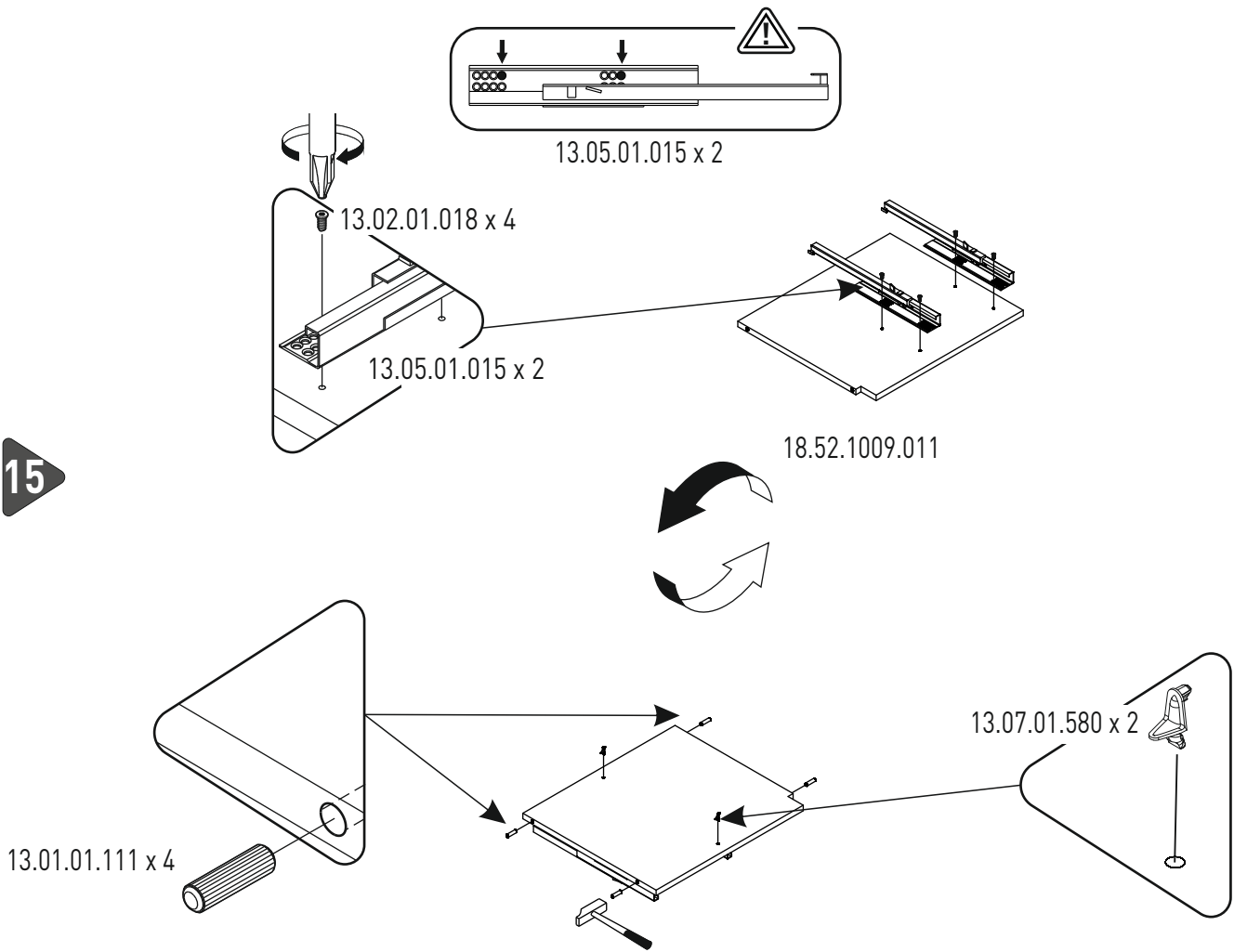
13



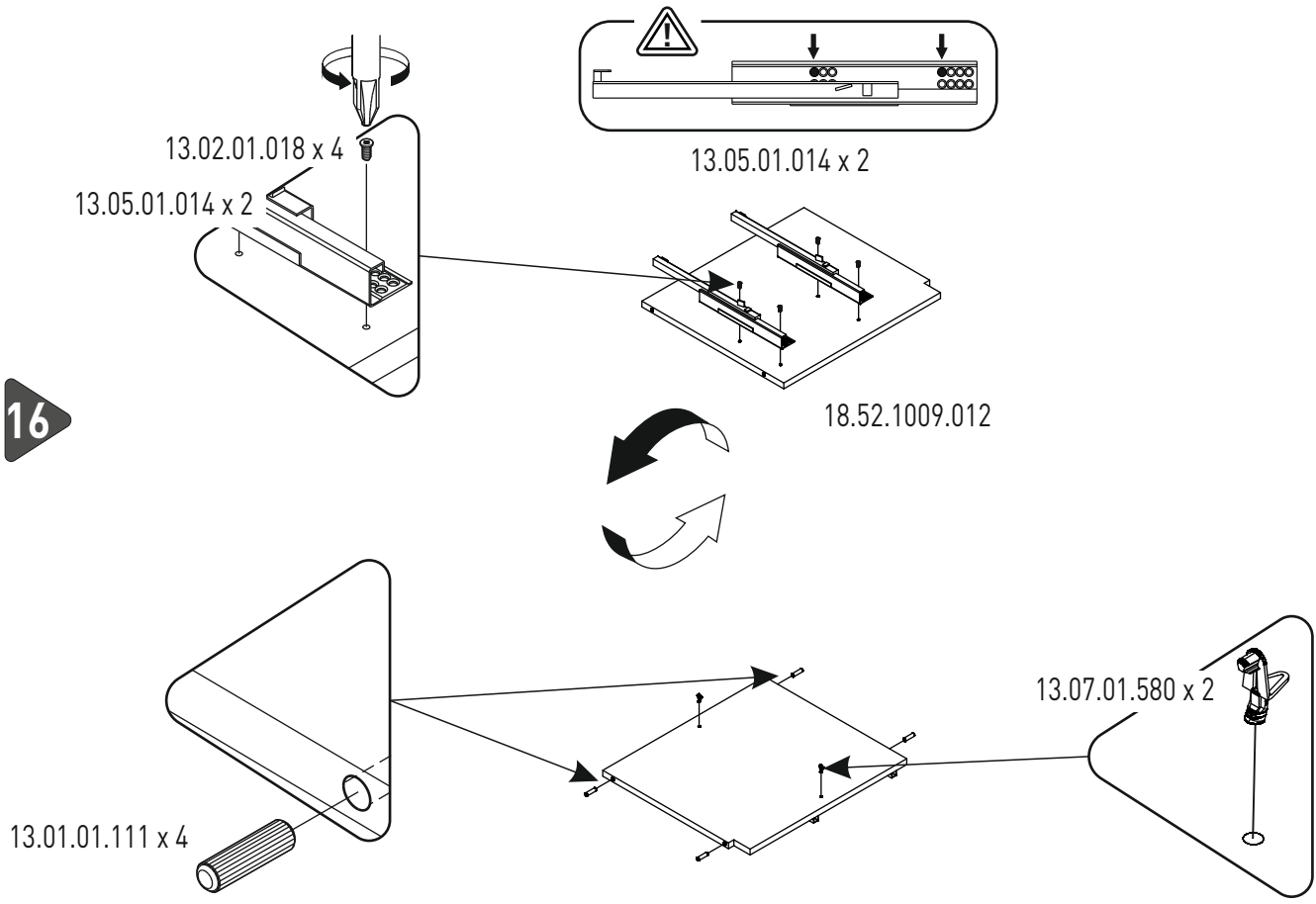
14



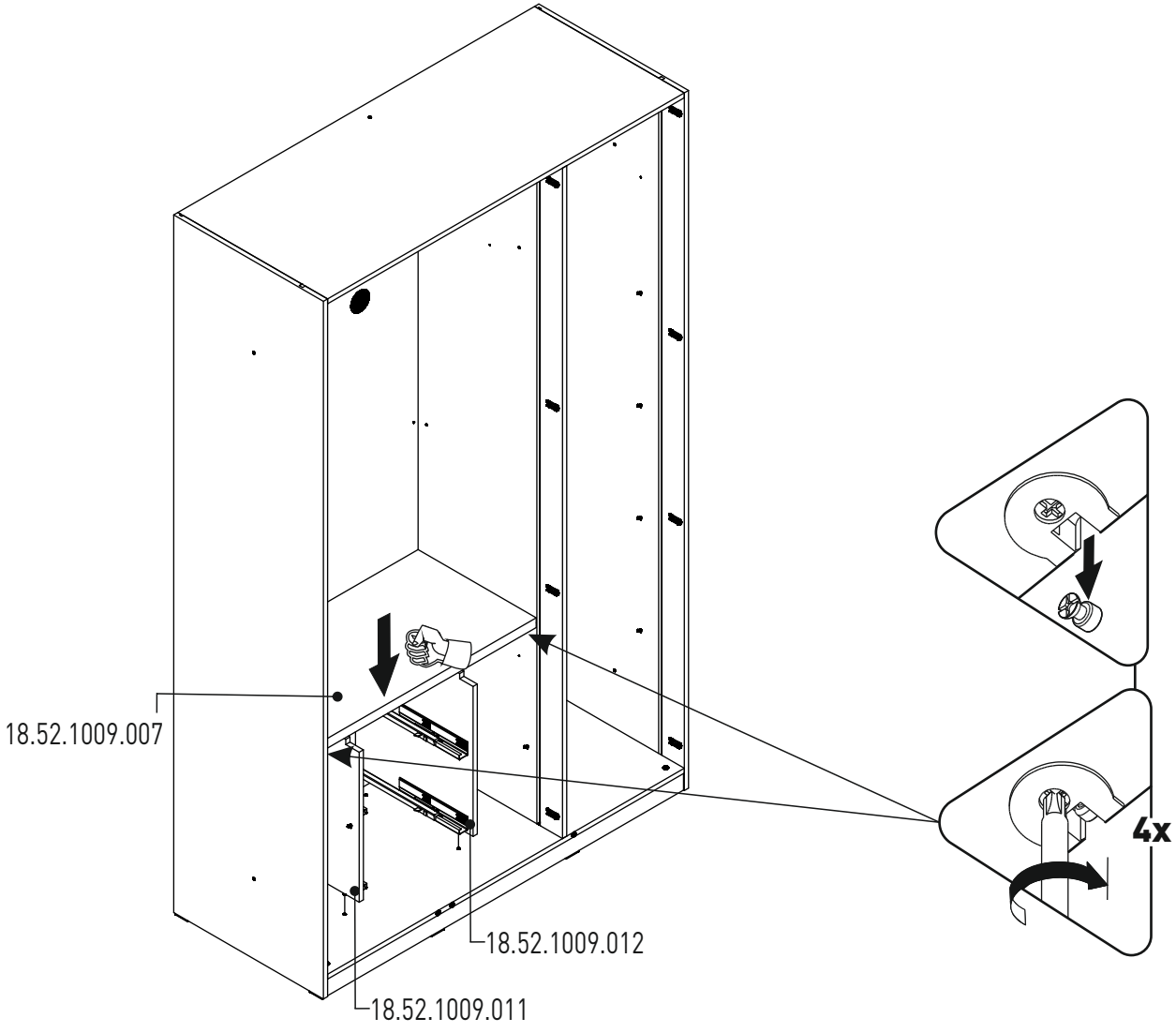
15



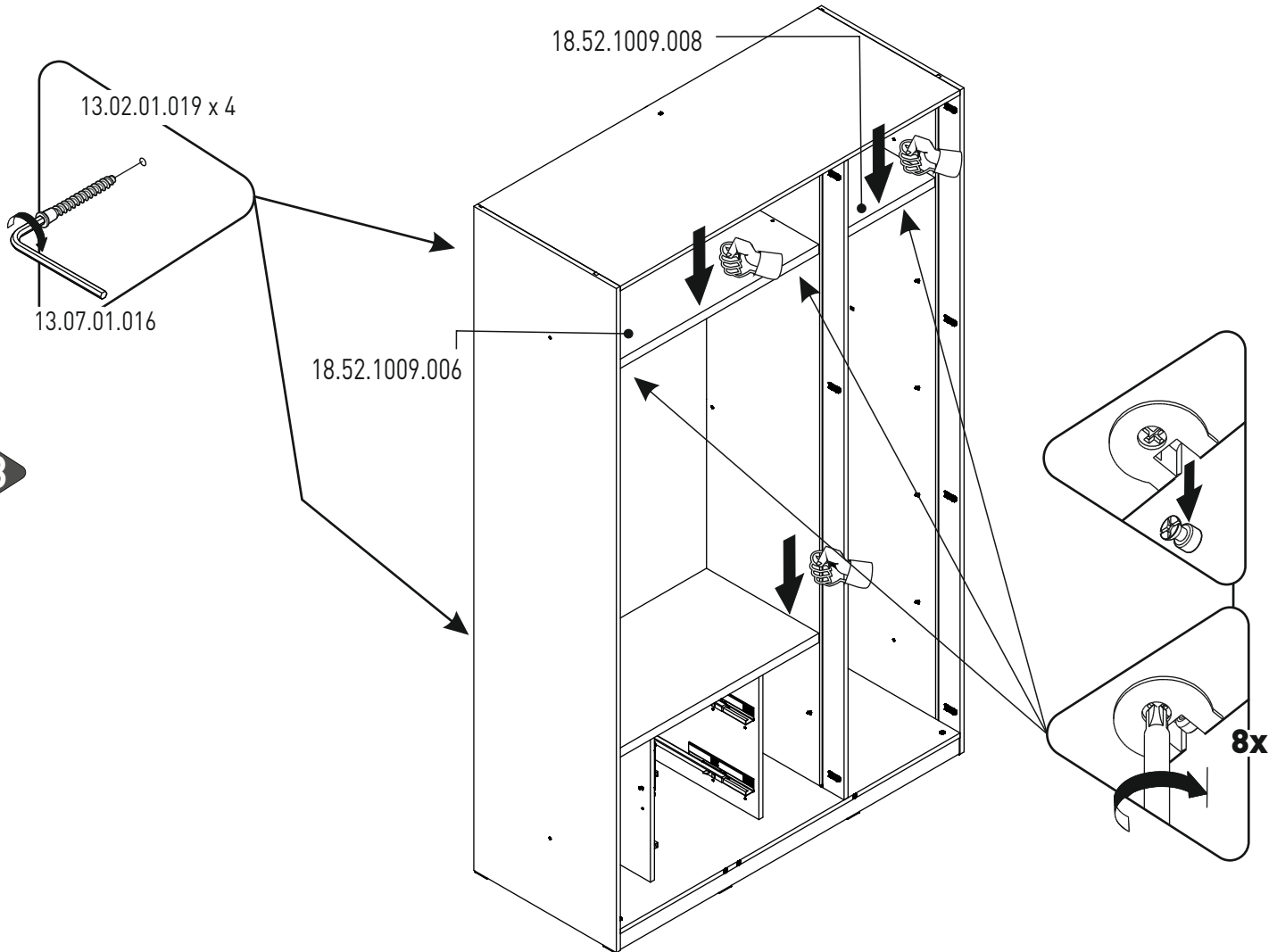
16



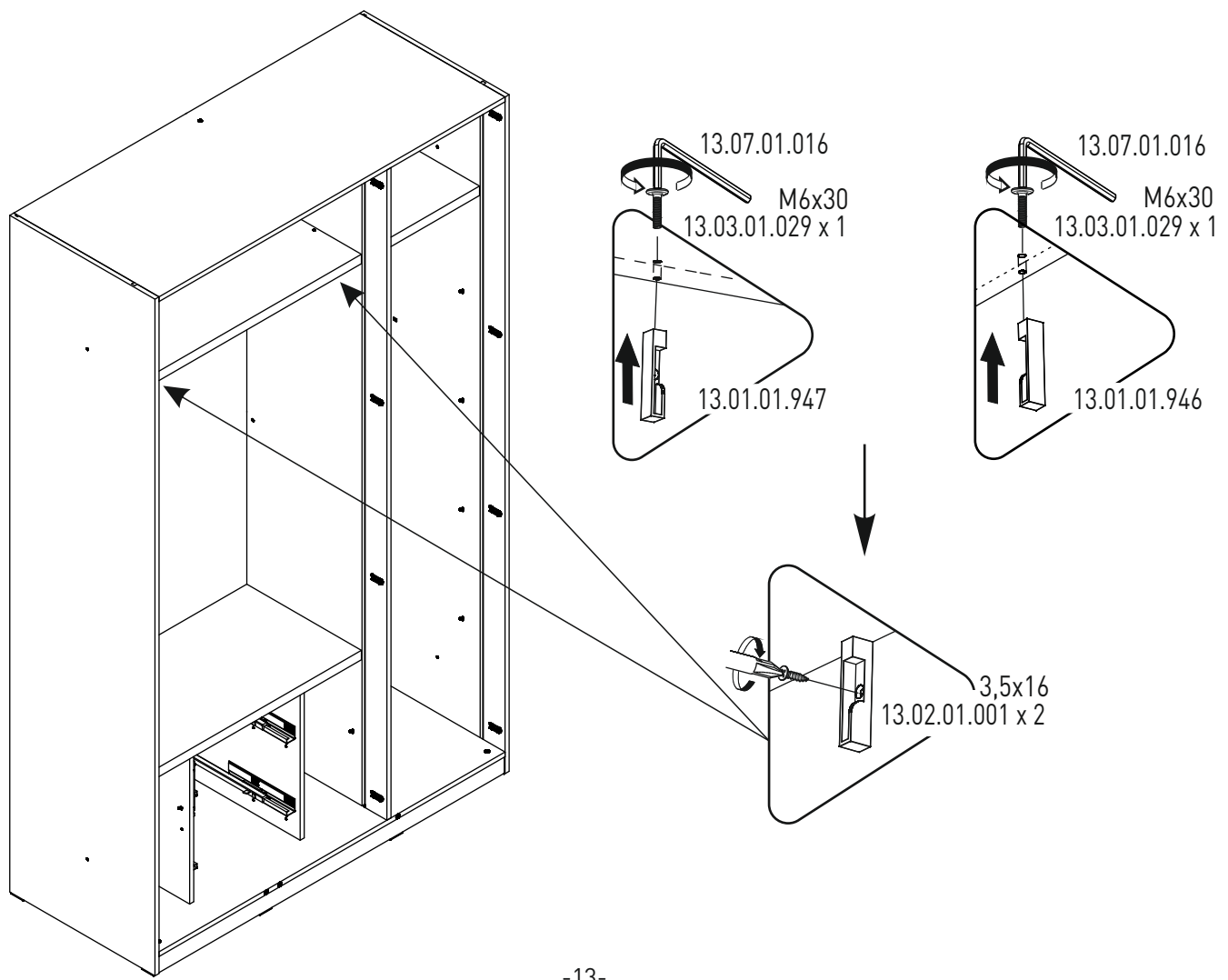
17



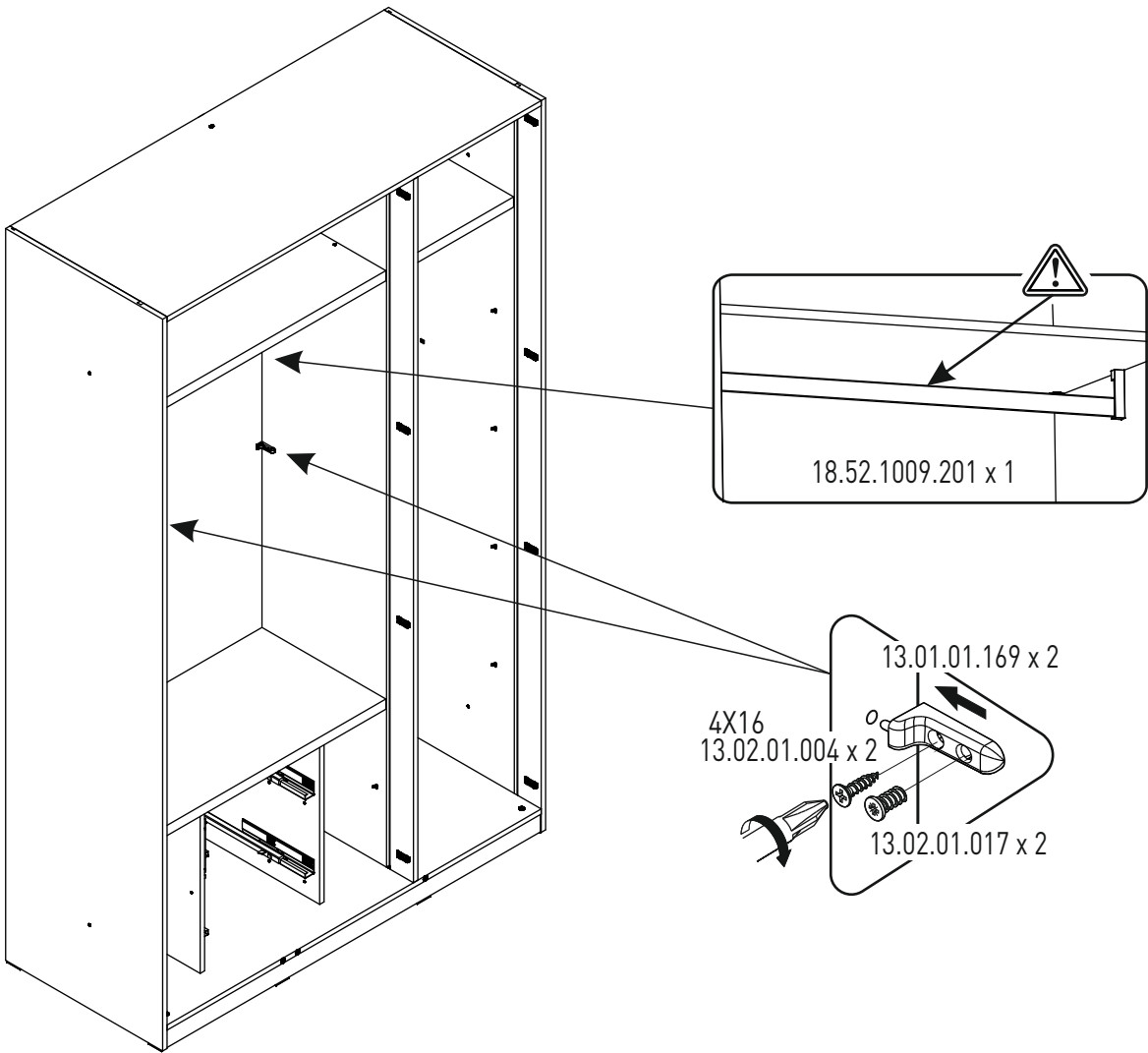
18



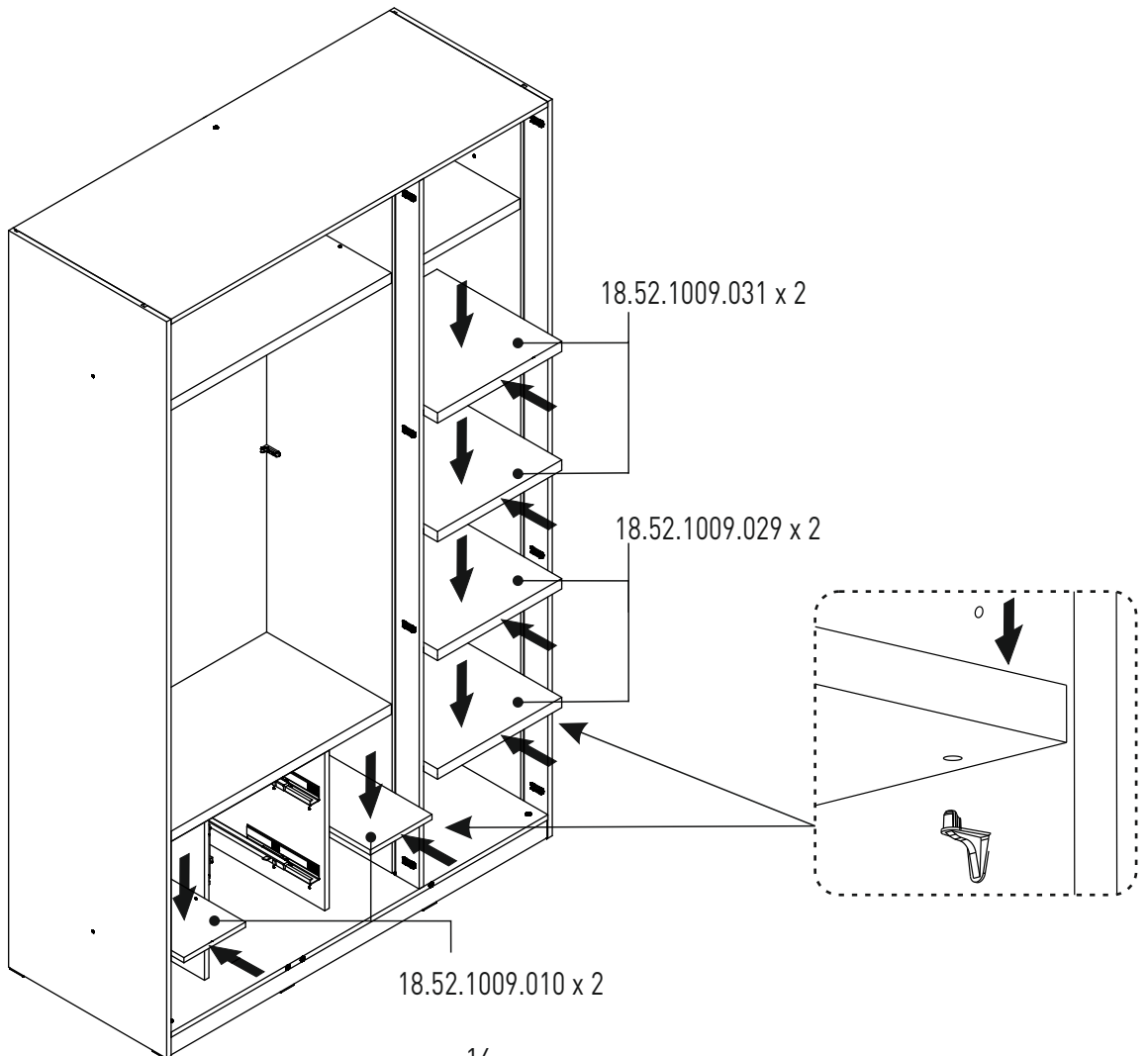
19



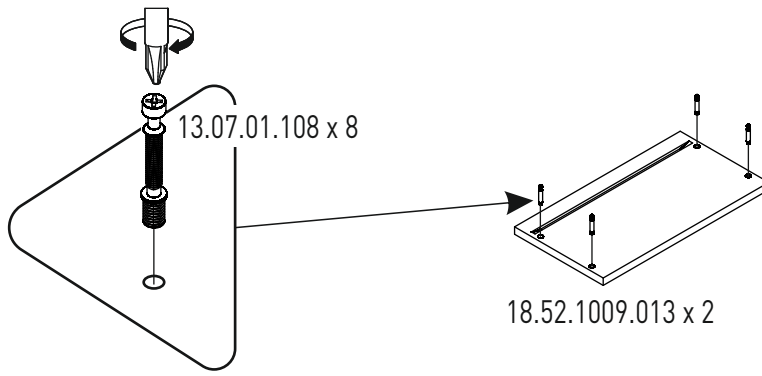
20



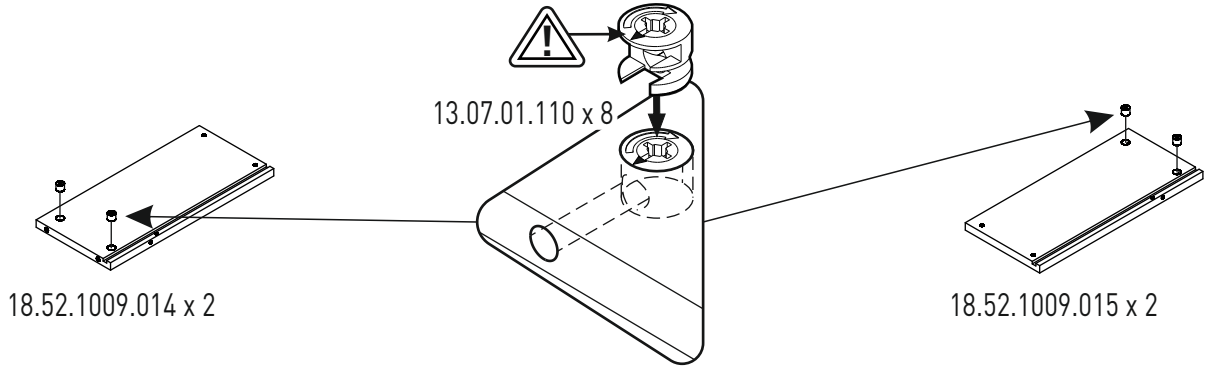
21



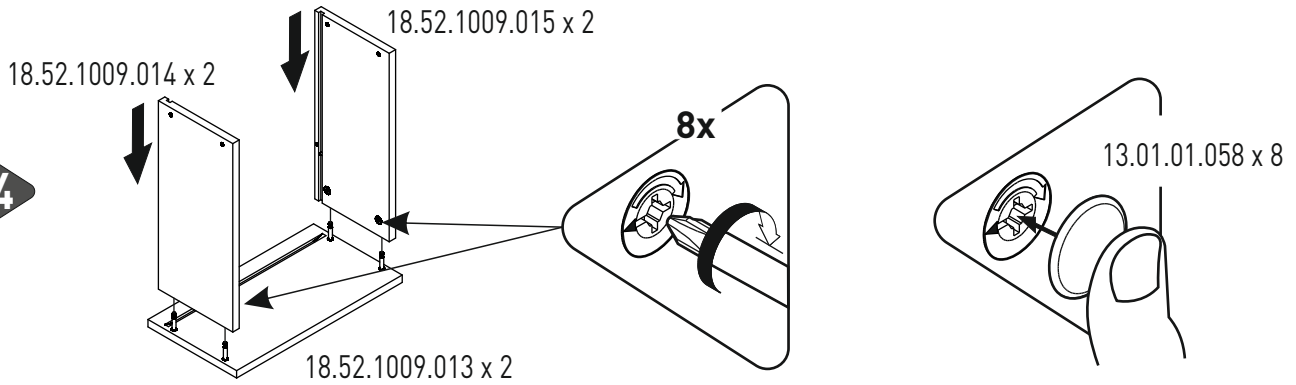
22



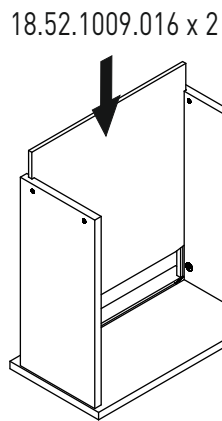
23



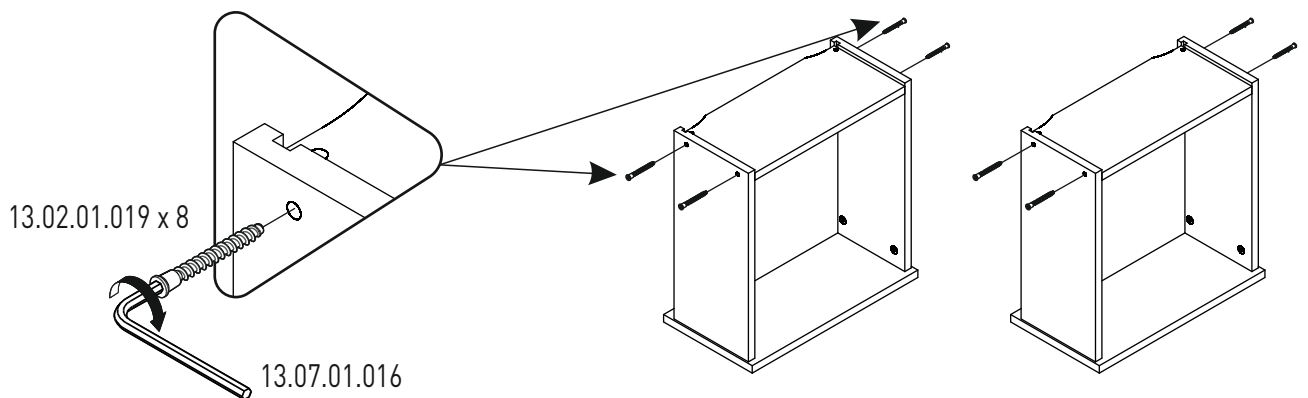
24

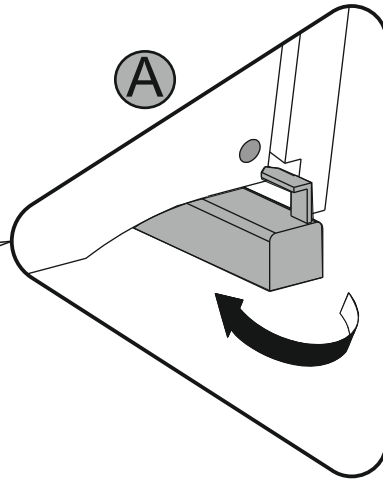
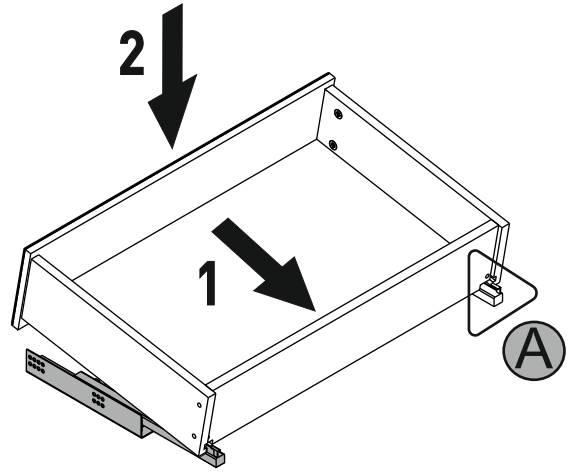
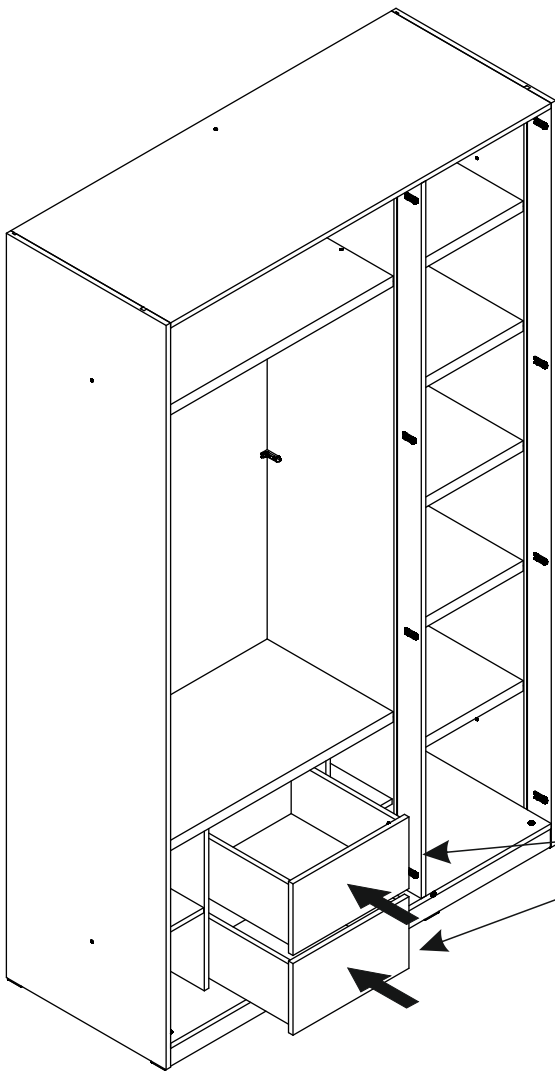


25

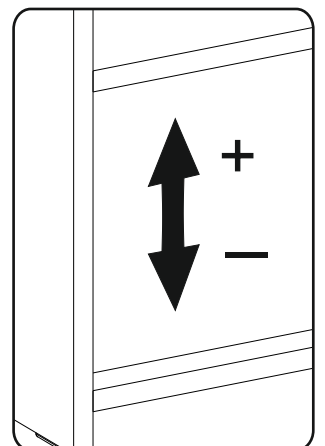
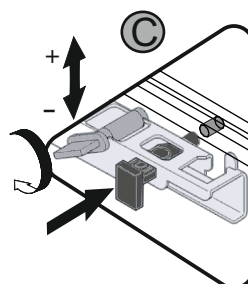
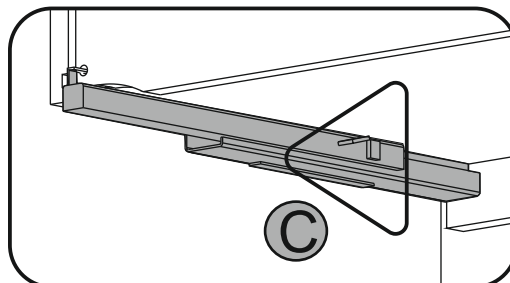
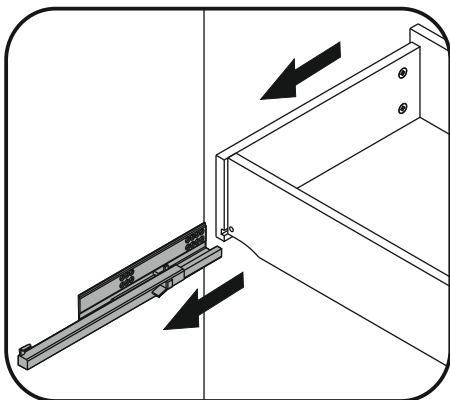
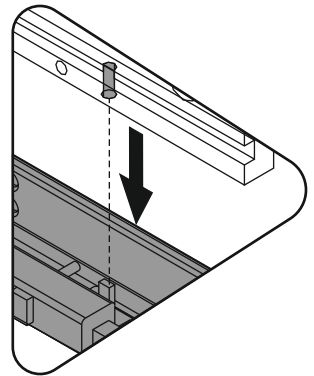
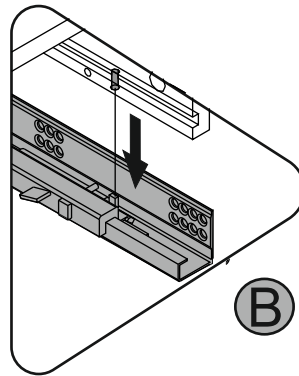
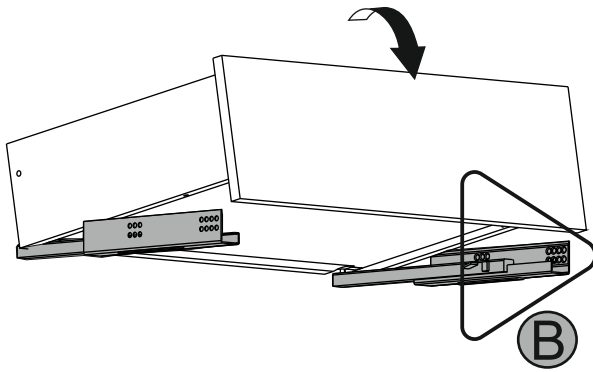


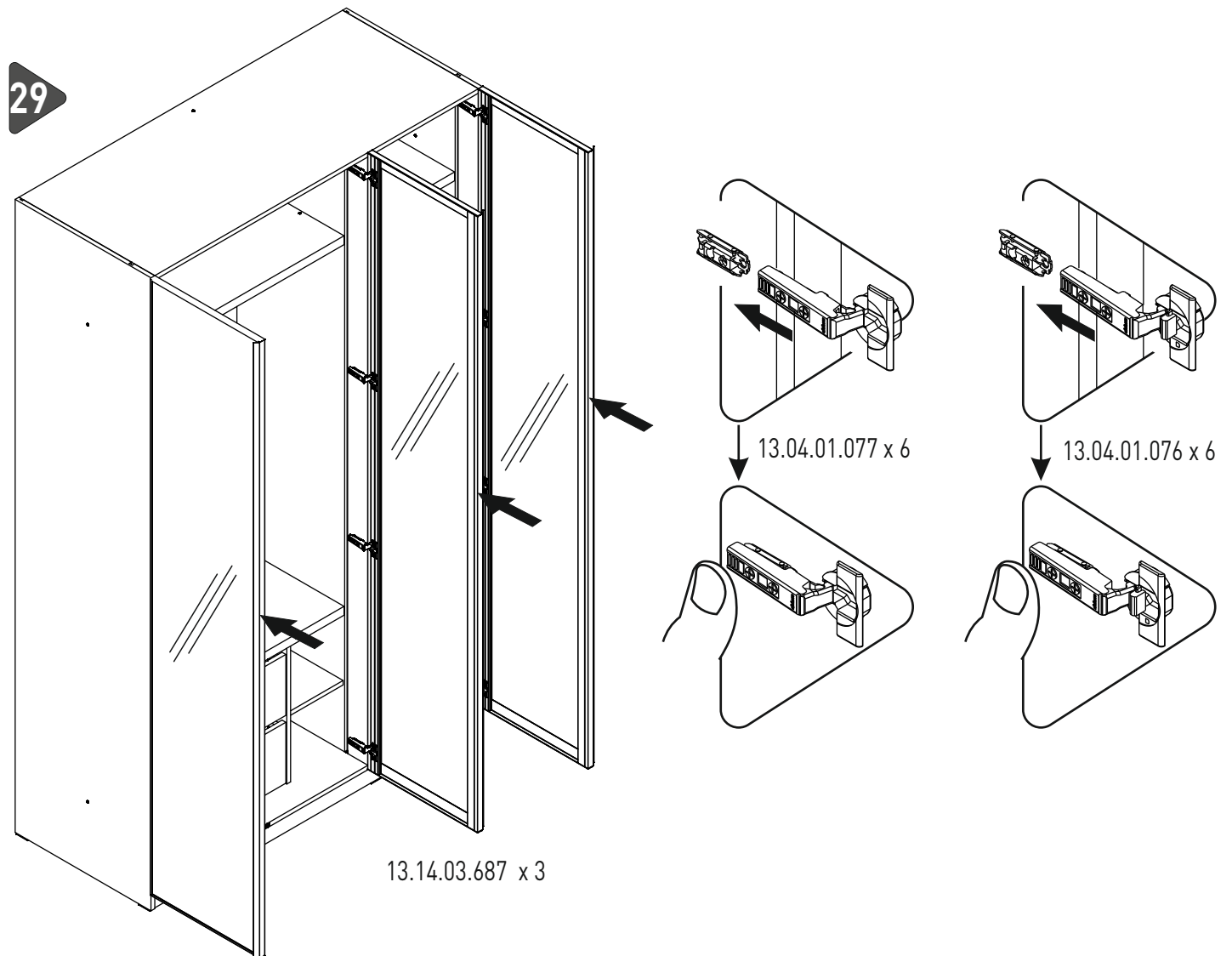
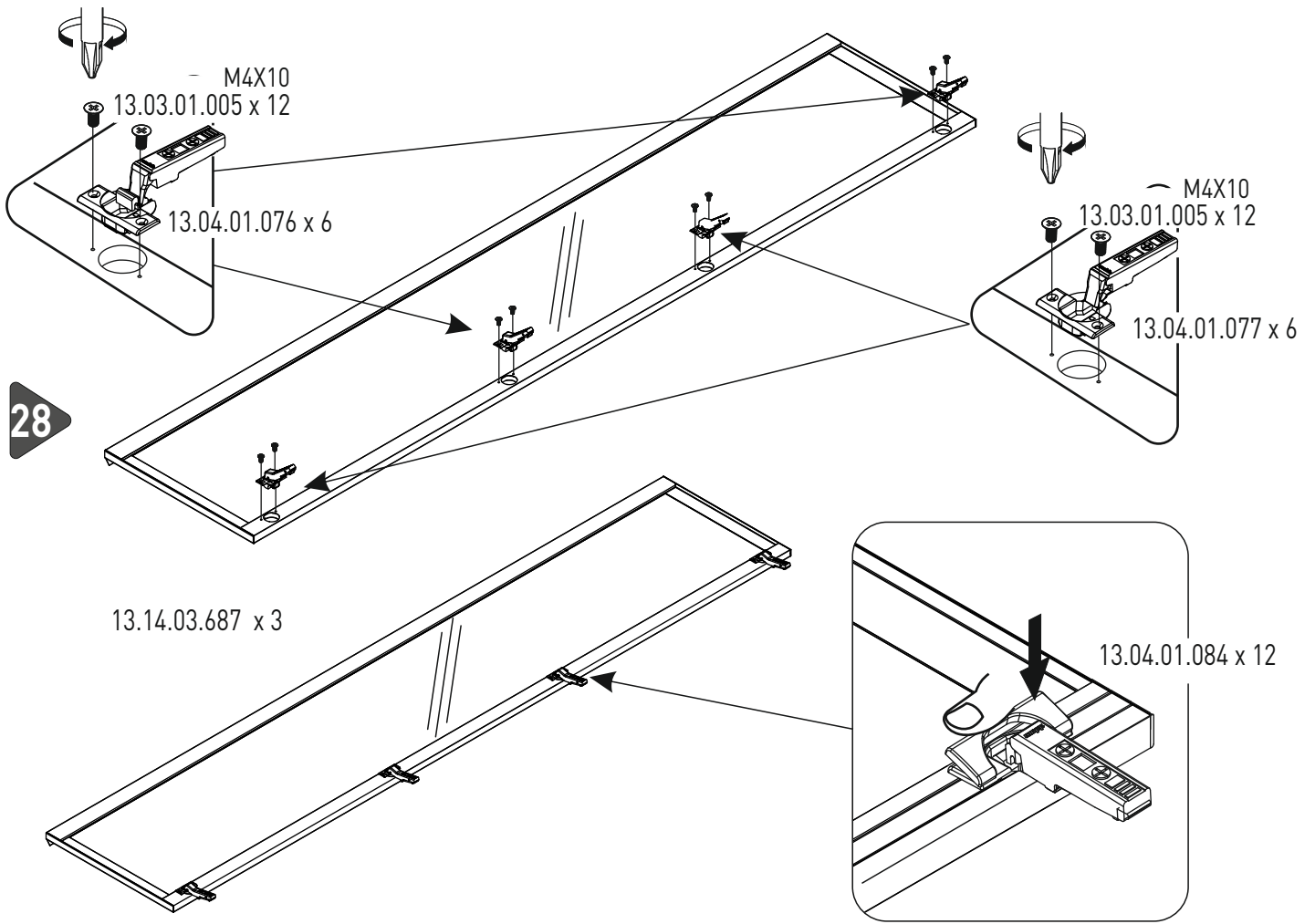
26

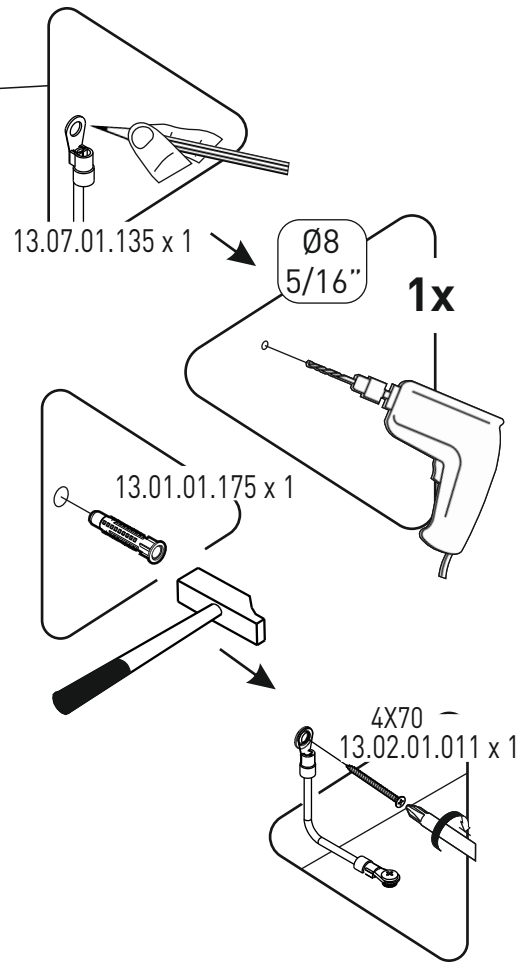
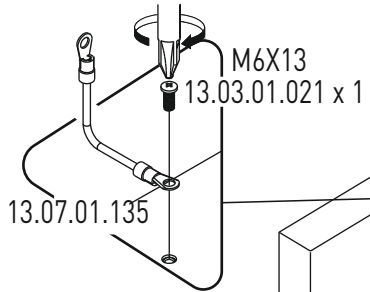




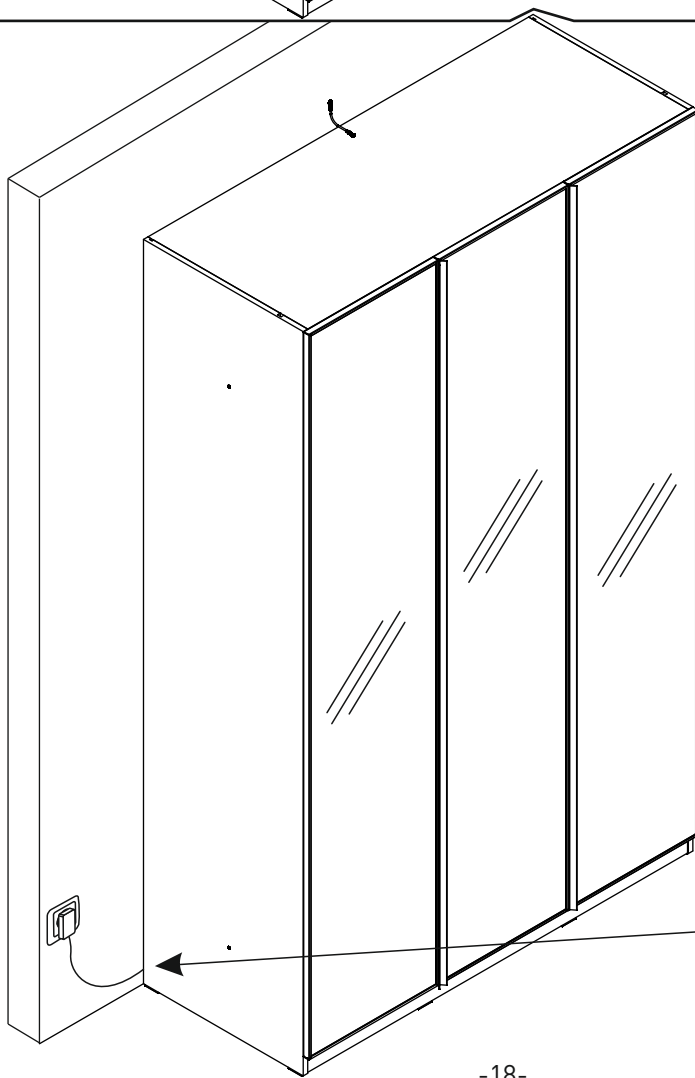
27



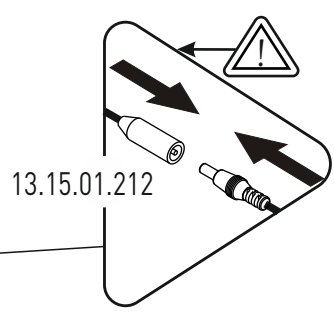




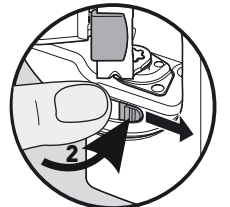
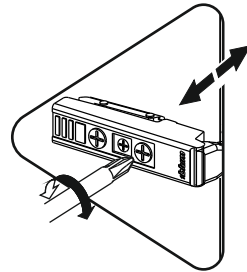
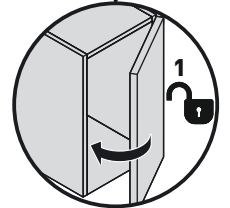
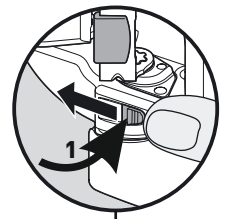
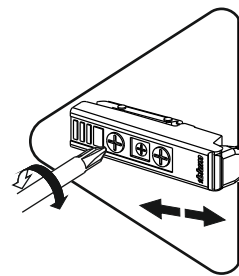
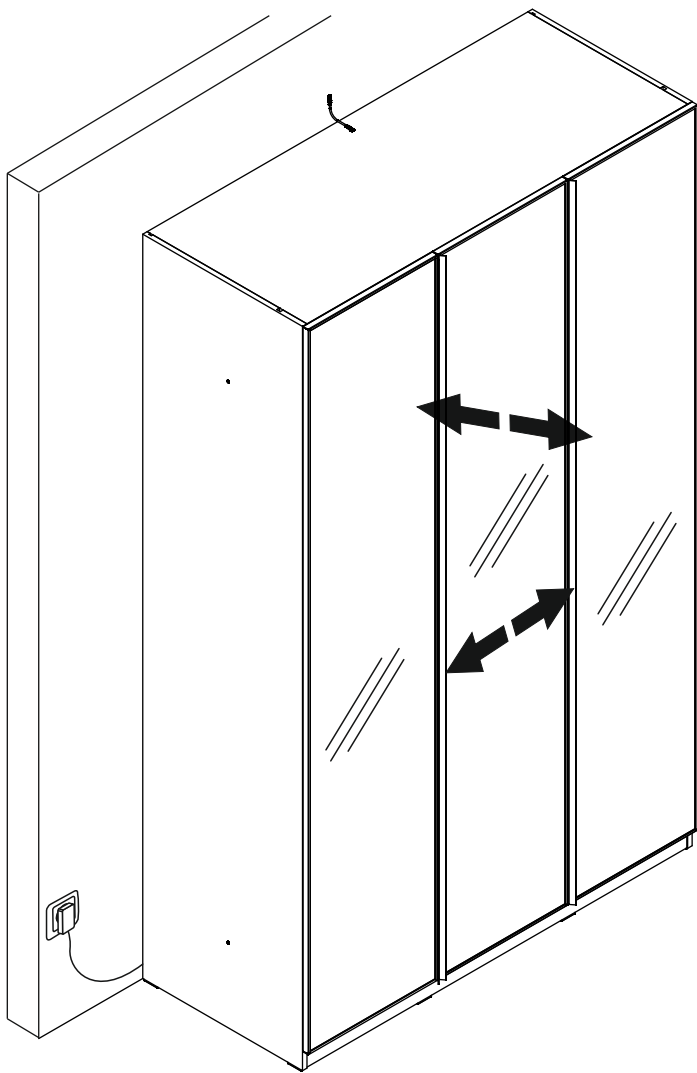
30



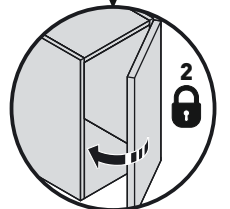
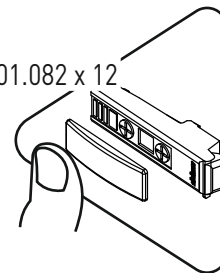
31



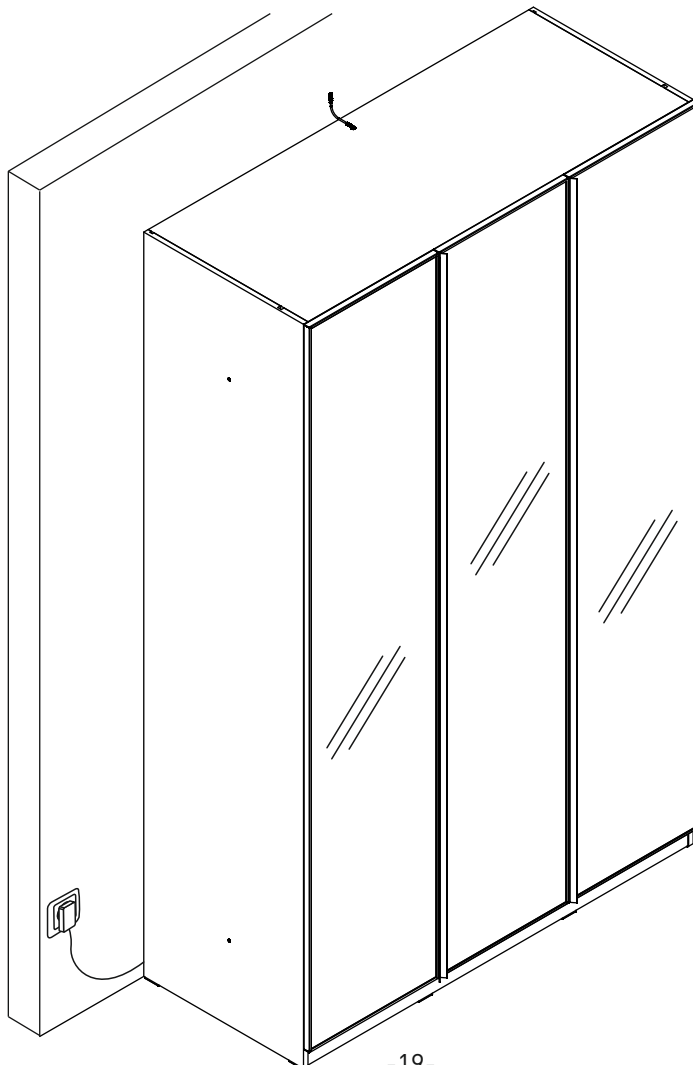
32



13.04.01.082 x 12



33



34

