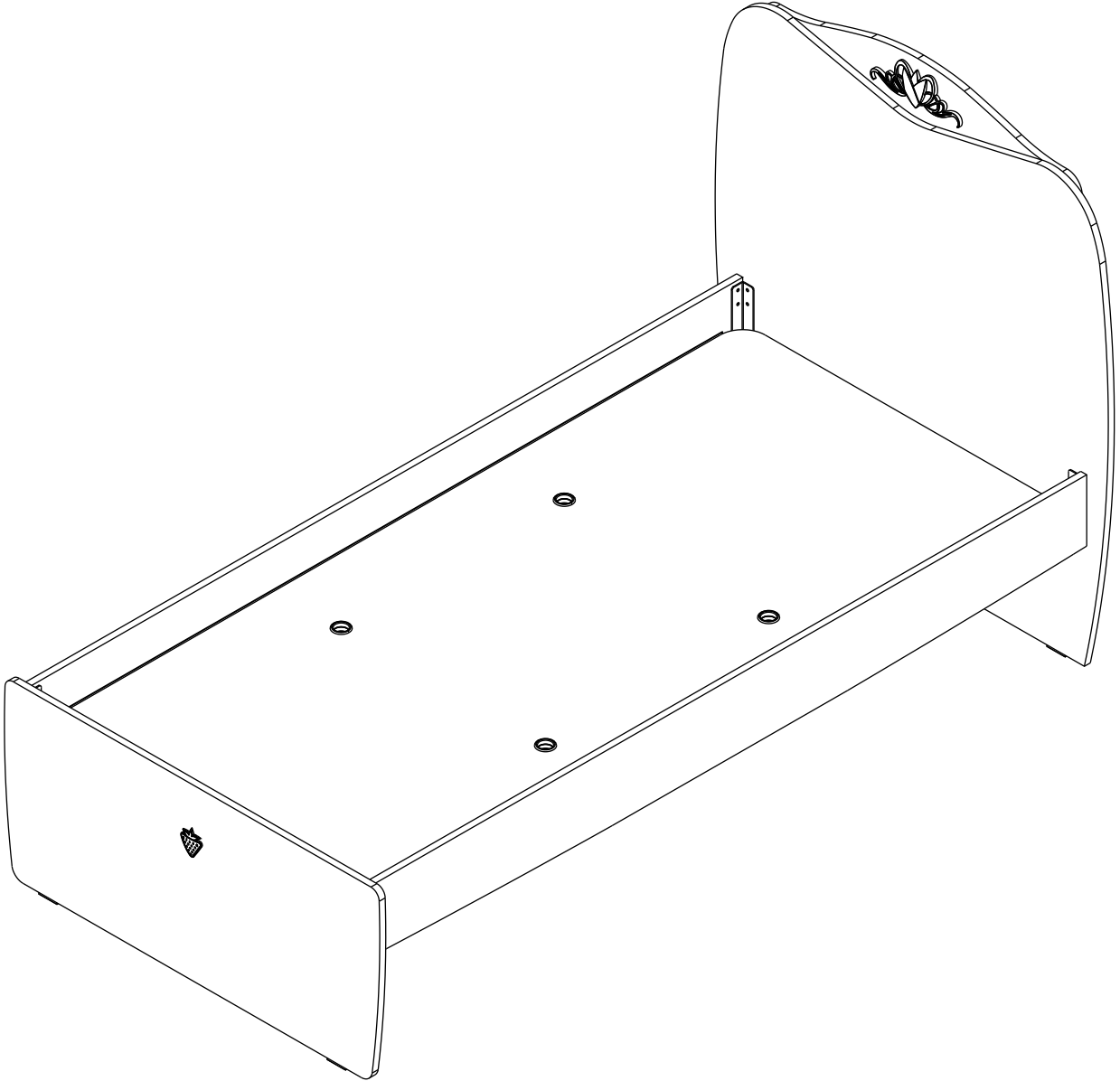
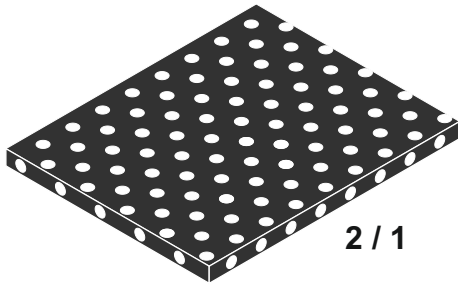
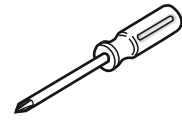
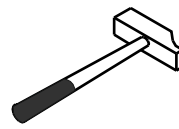
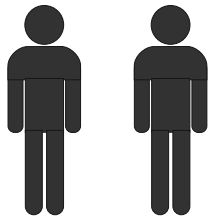
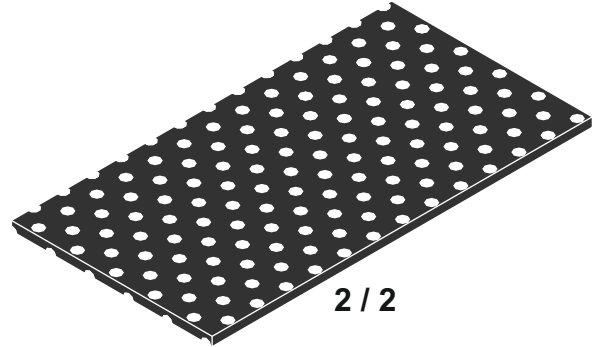


20.20.1312.00

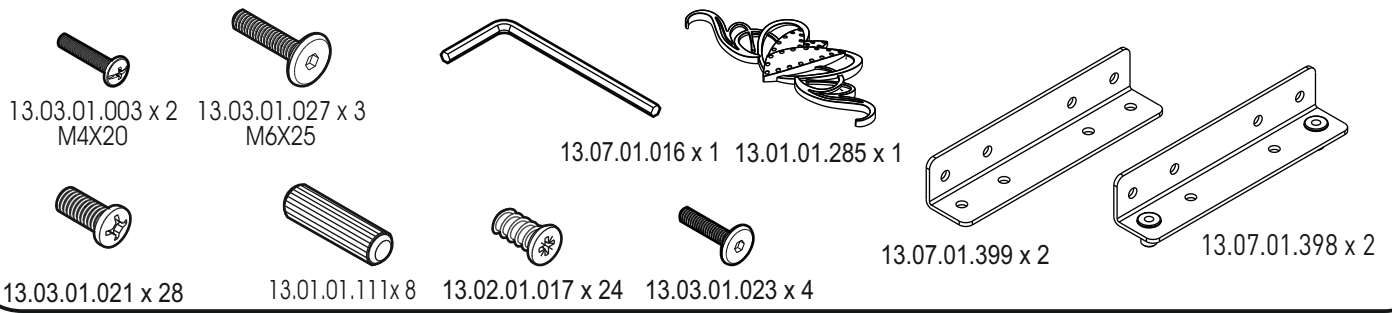




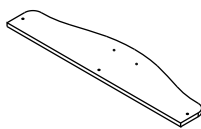
2 / 1



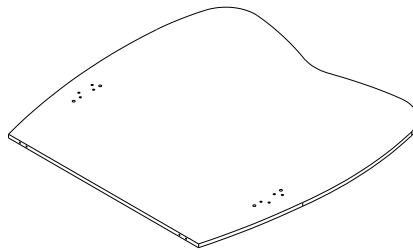
2 / 2



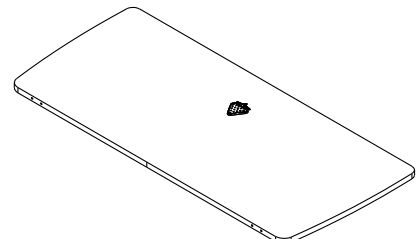
2 / 1



18.20.1312.005 x 1

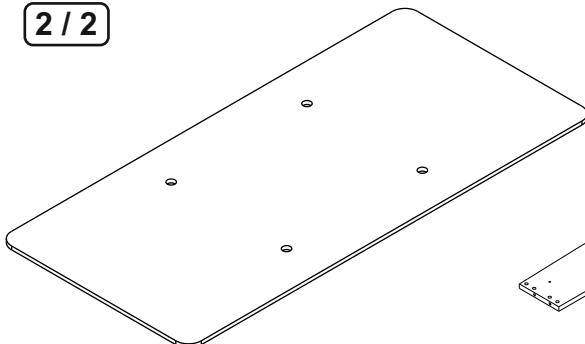


18.20.1312.001 x 1

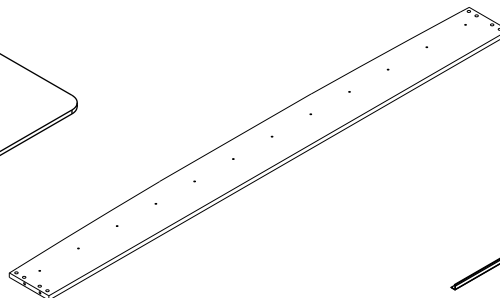


18.20.1312.002 x 1

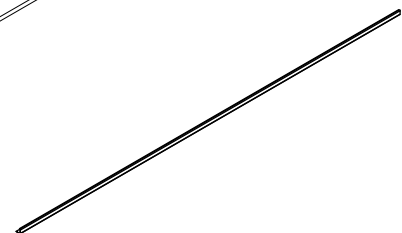
2 / 2



18.20.1312.004 x 1

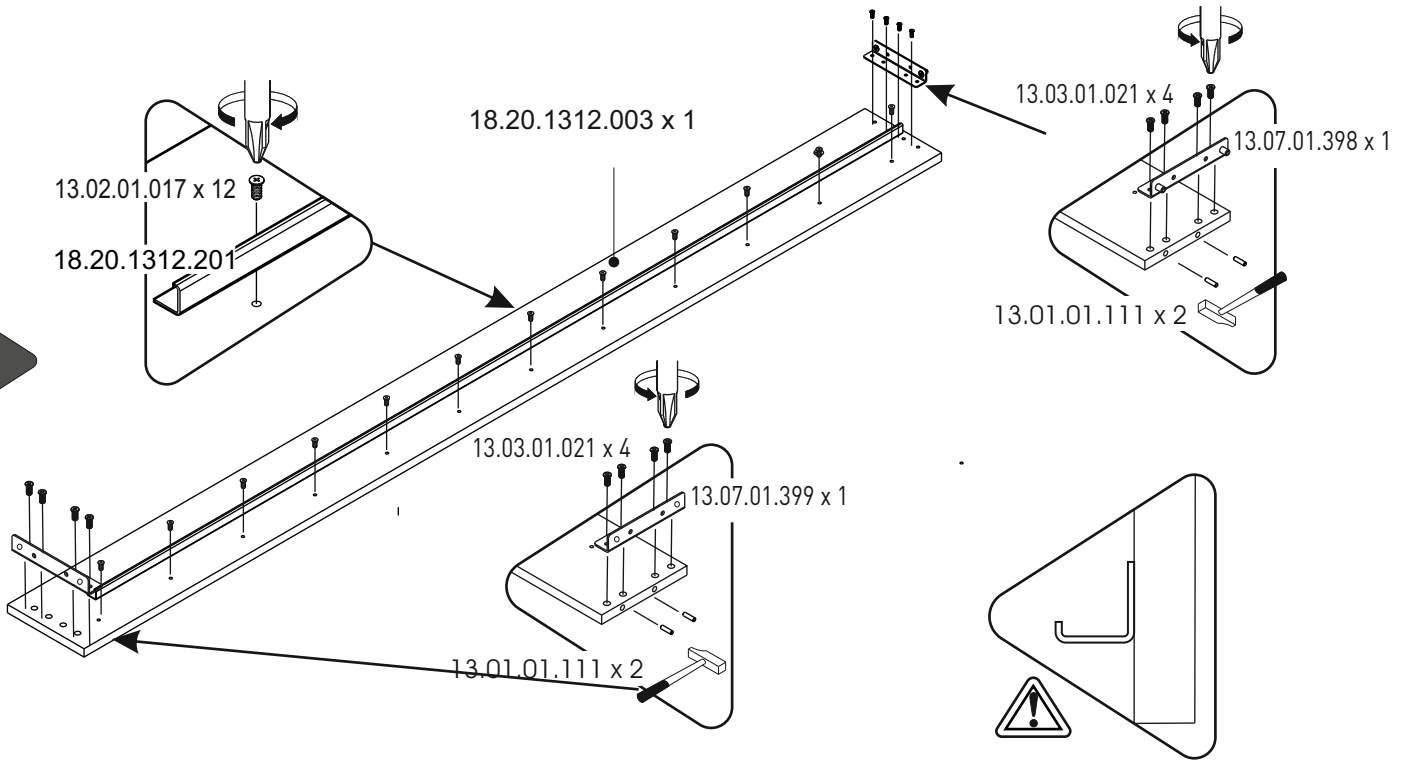


18.20.1312.003 x 2

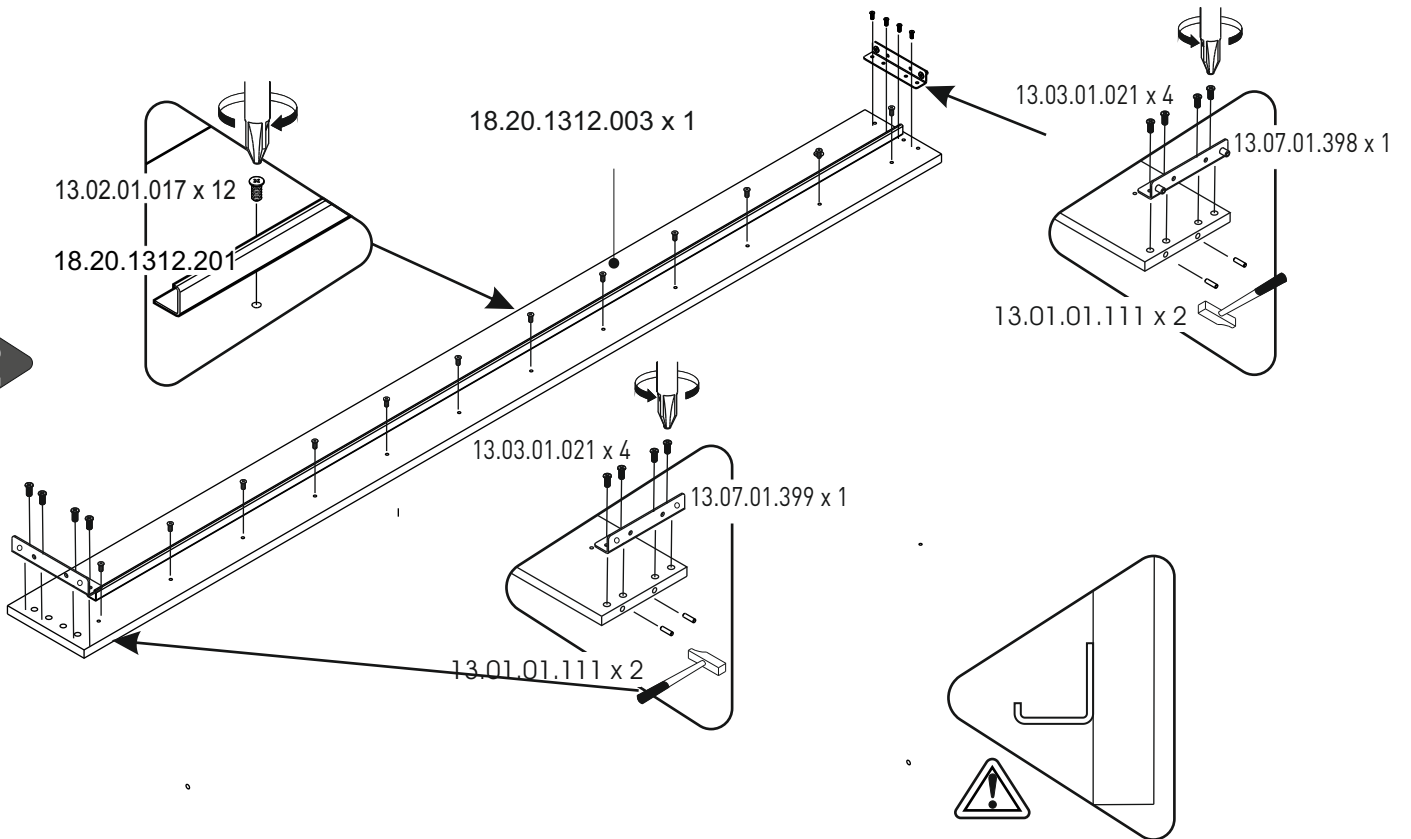


18.20.1312.201 x 2

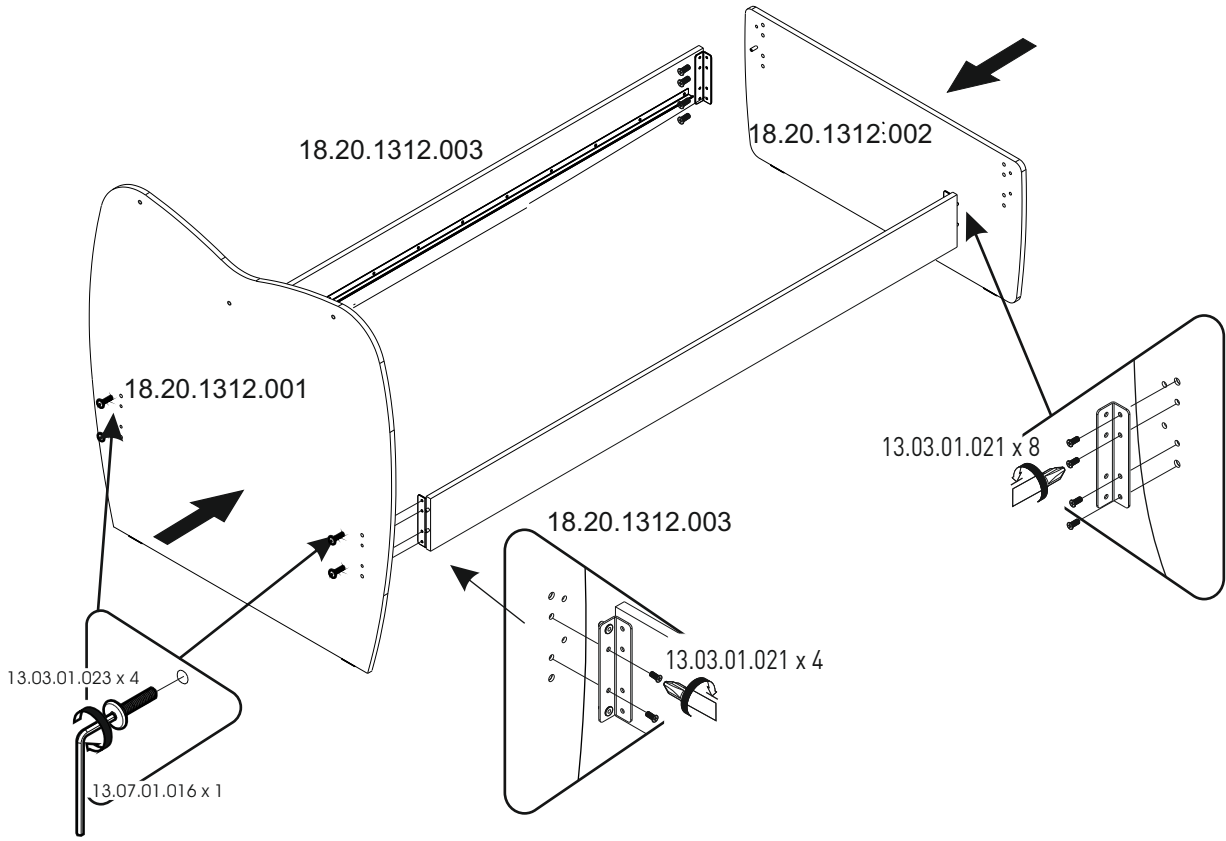
1



2



3



4

