

A $\phi 6 \times 16 \text{mm}$

x4

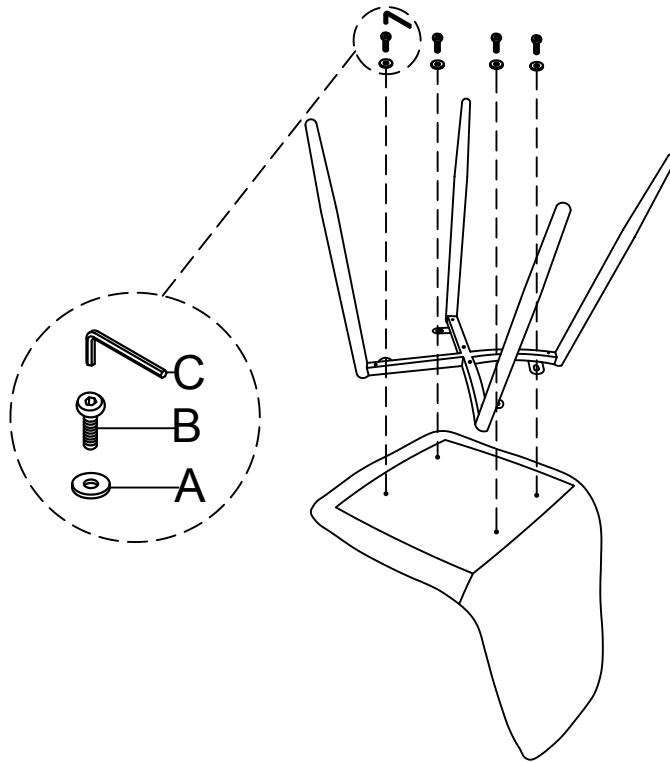
B

M6*16mm

x4

C

x1

1**2**