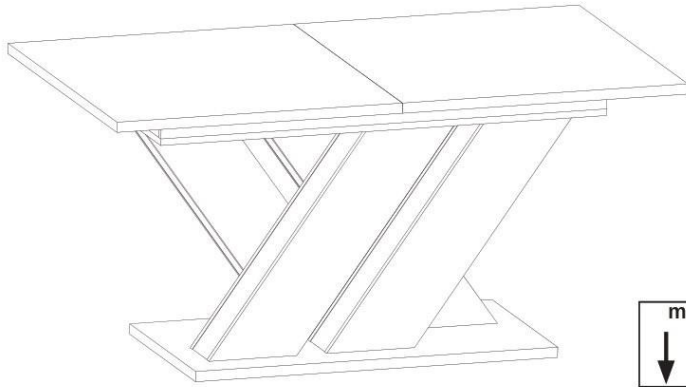
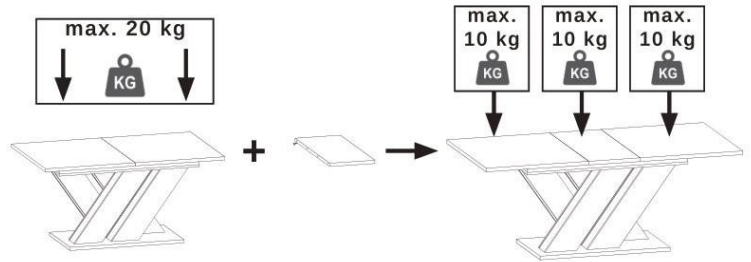
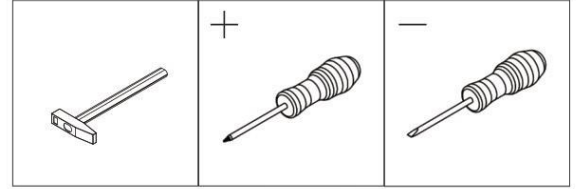


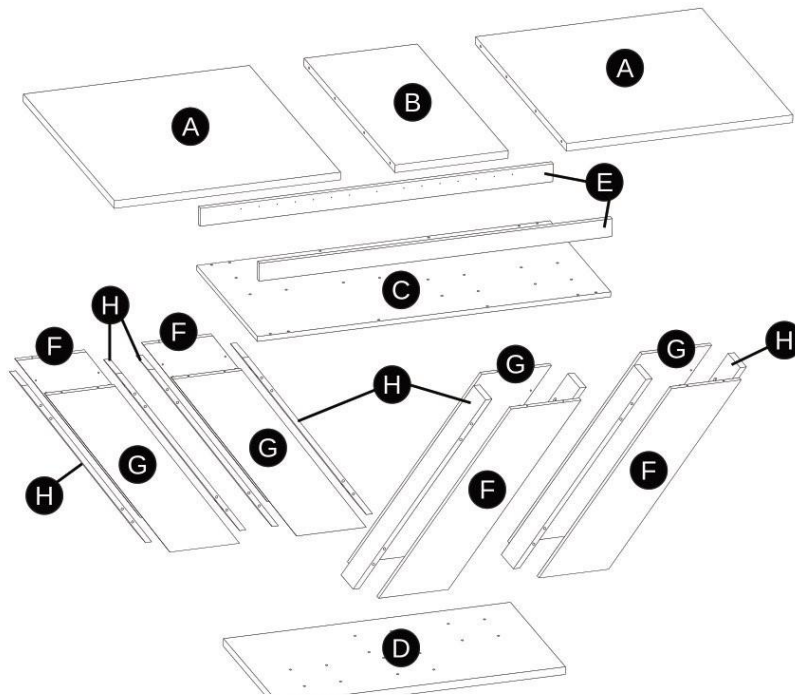
IMPORTANT – READ CAREFULLY – RETAIN FOR FUTURE REFERENCE
WICHTIG – SORGFÄLTIG LESEN UND AUFBEWAHREN
TABLE BRANDON (160-200x90x77cm)



TOOLS REQUIRED



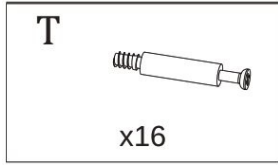
Other elements



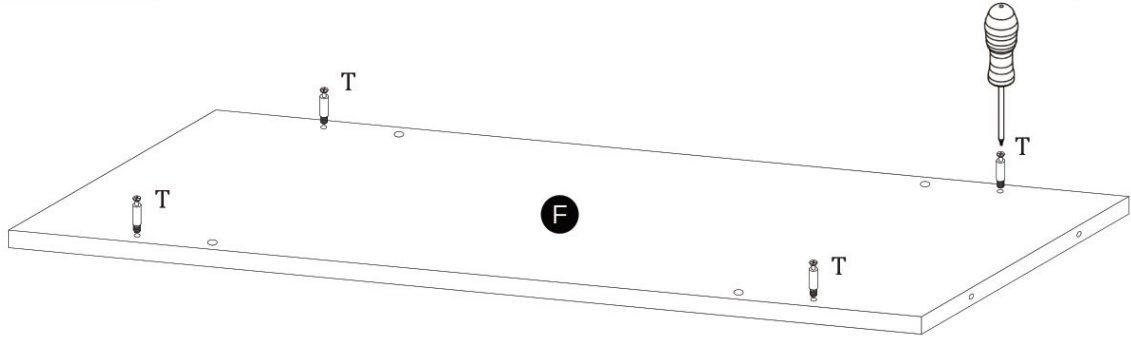
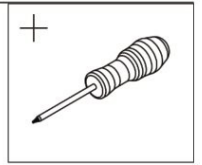
Parts in the packaging

<p>I</p> <p>Ø8x35mm x44</p>	<p>J</p> <p>3,5x16mm x38</p>	<p>K</p> <p>x1</p>	<p>L</p> <p>x6</p>	<p>M</p> <p>7x50mm x8</p>	<p>N</p> <p>4x25mm x20</p>
<p>O</p> <p>x1</p>	<p>P</p> <p>x4</p>	<p>R</p> <p>7x70mm x32</p>	<p>S</p> <p>x24</p>	<p>T</p> <p>x32</p>	<p>U</p> <p>x32</p>

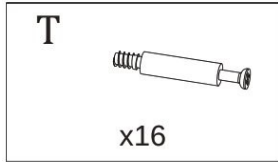
1



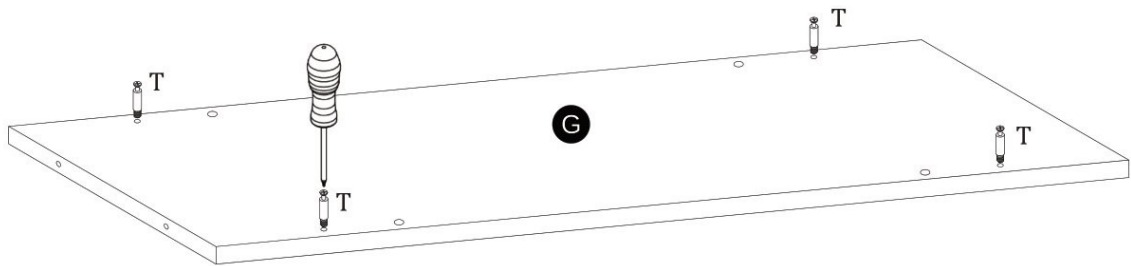
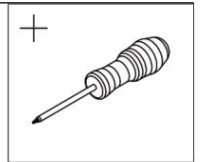
x4



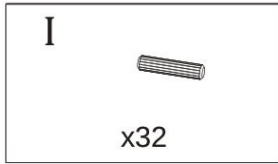
2



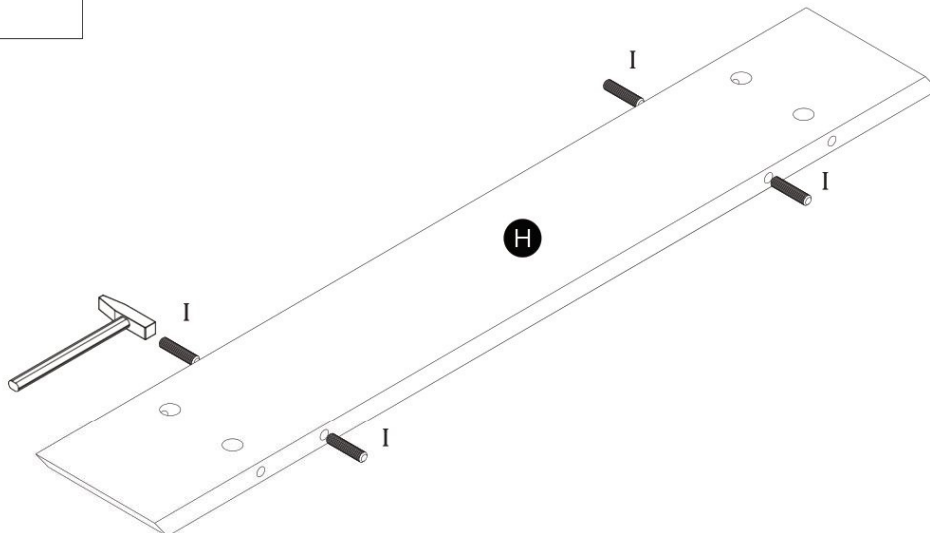
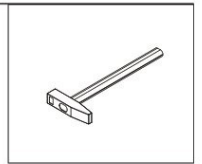
x4



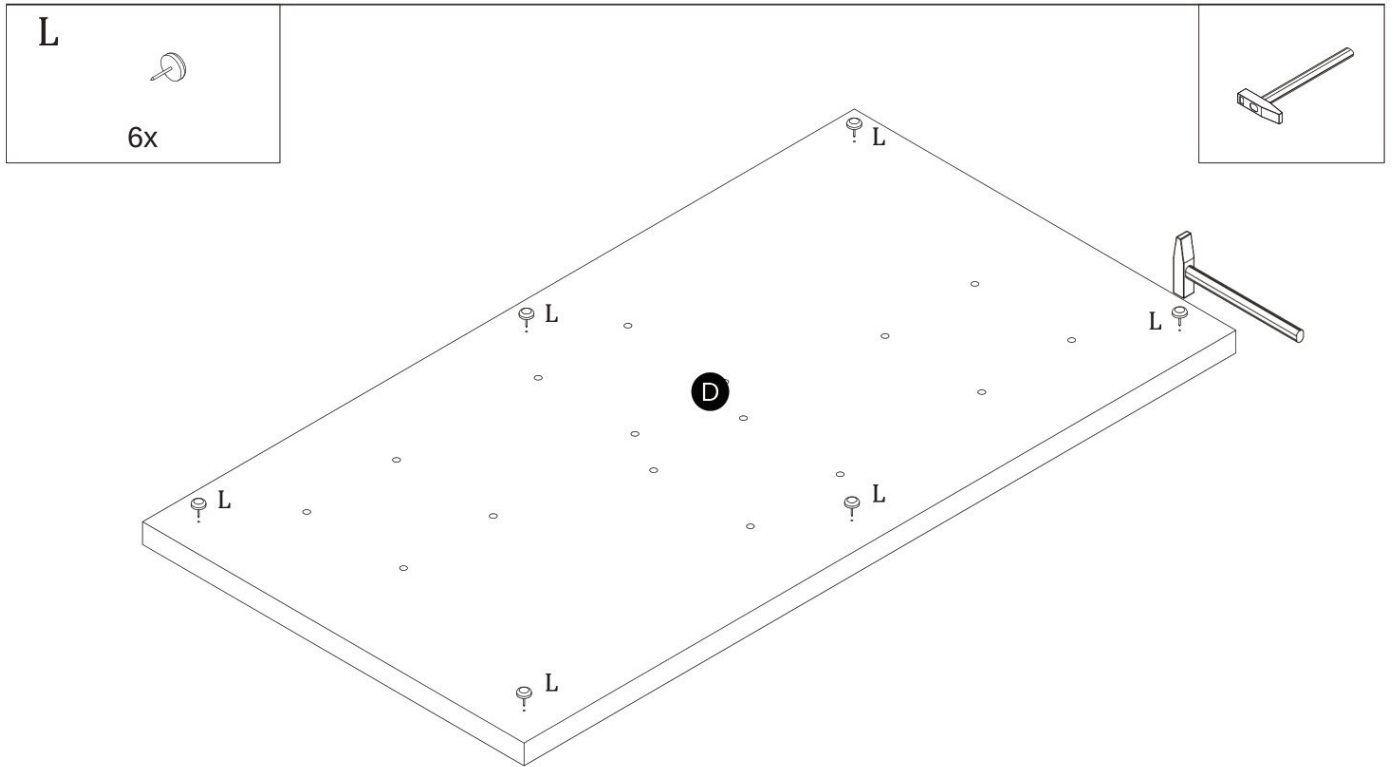
3



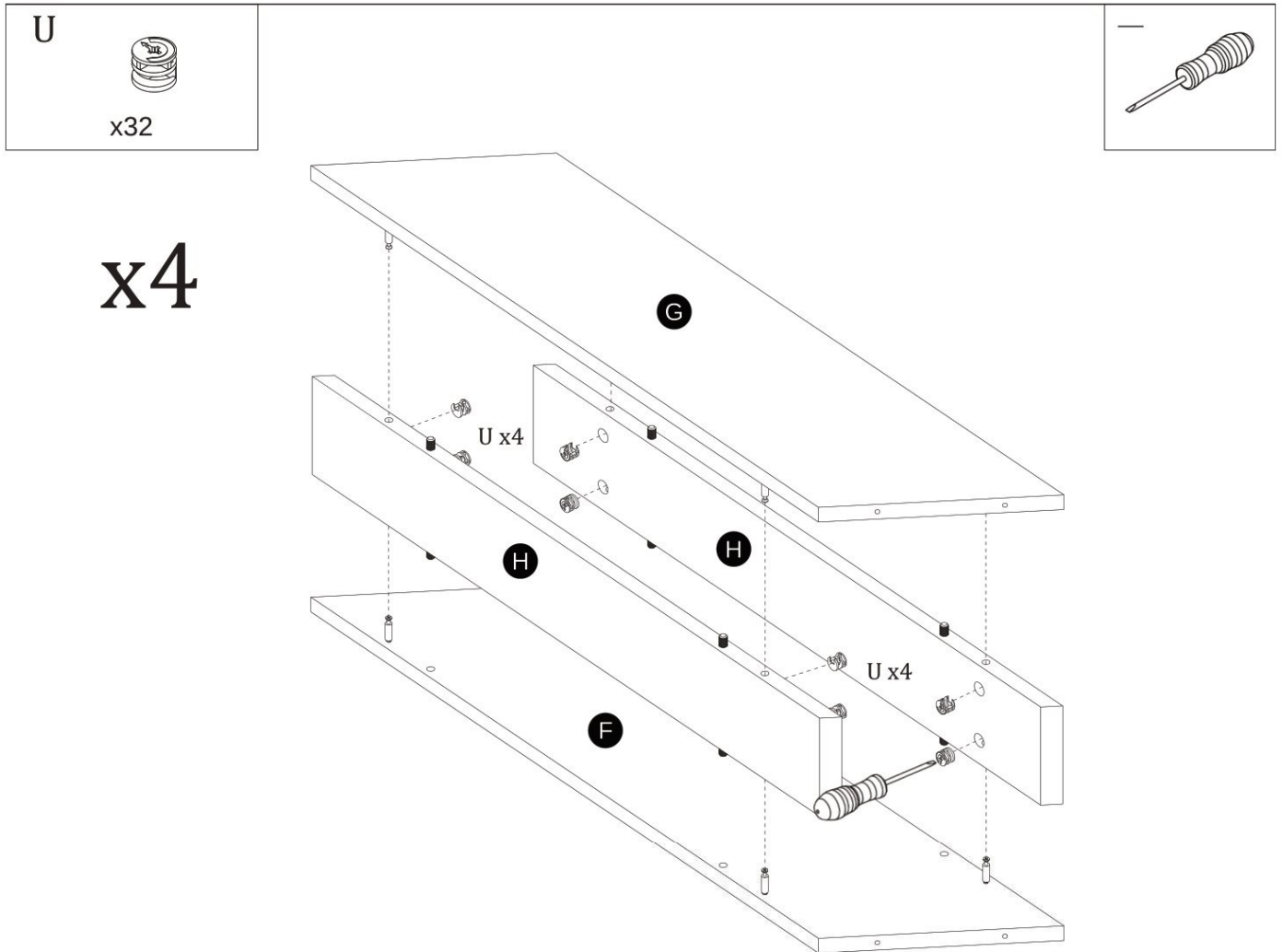
x8



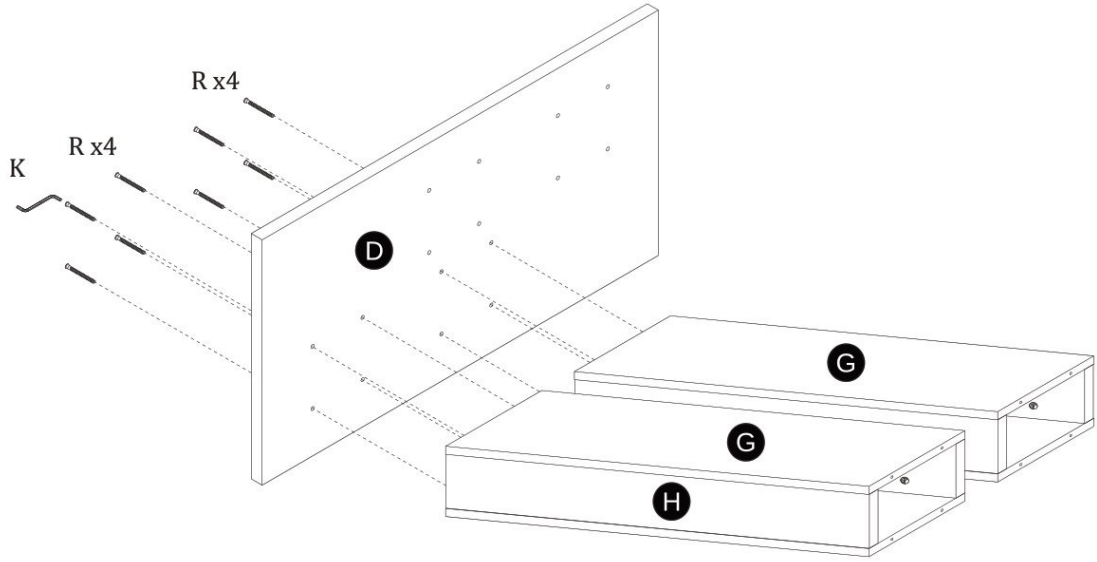
4



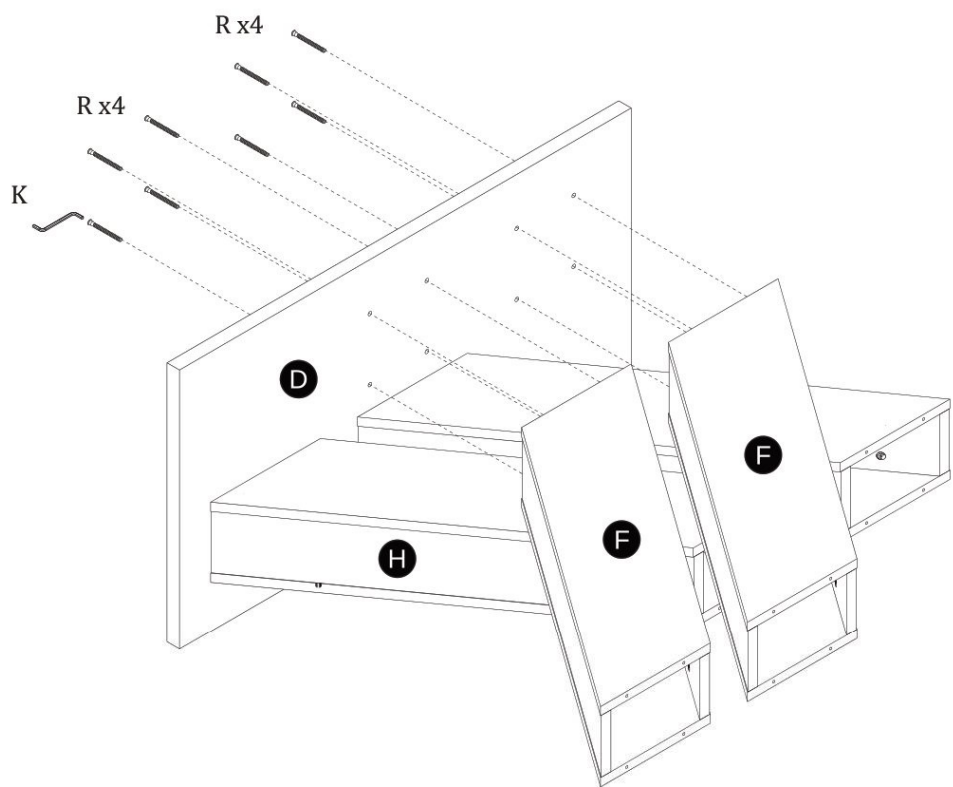
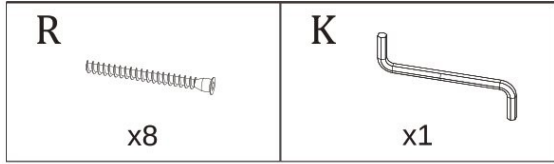
5

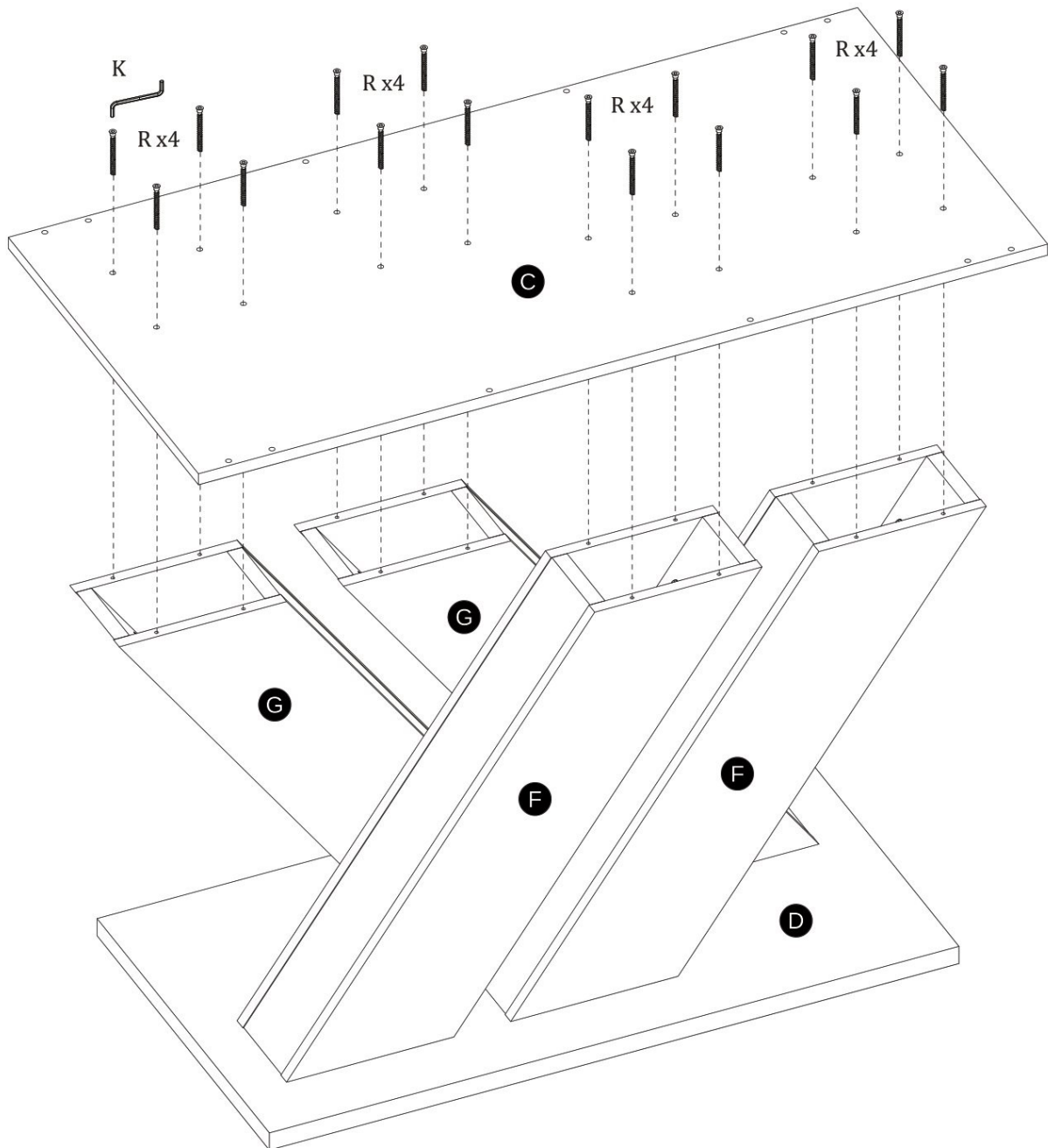
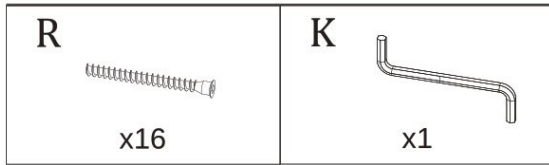


6







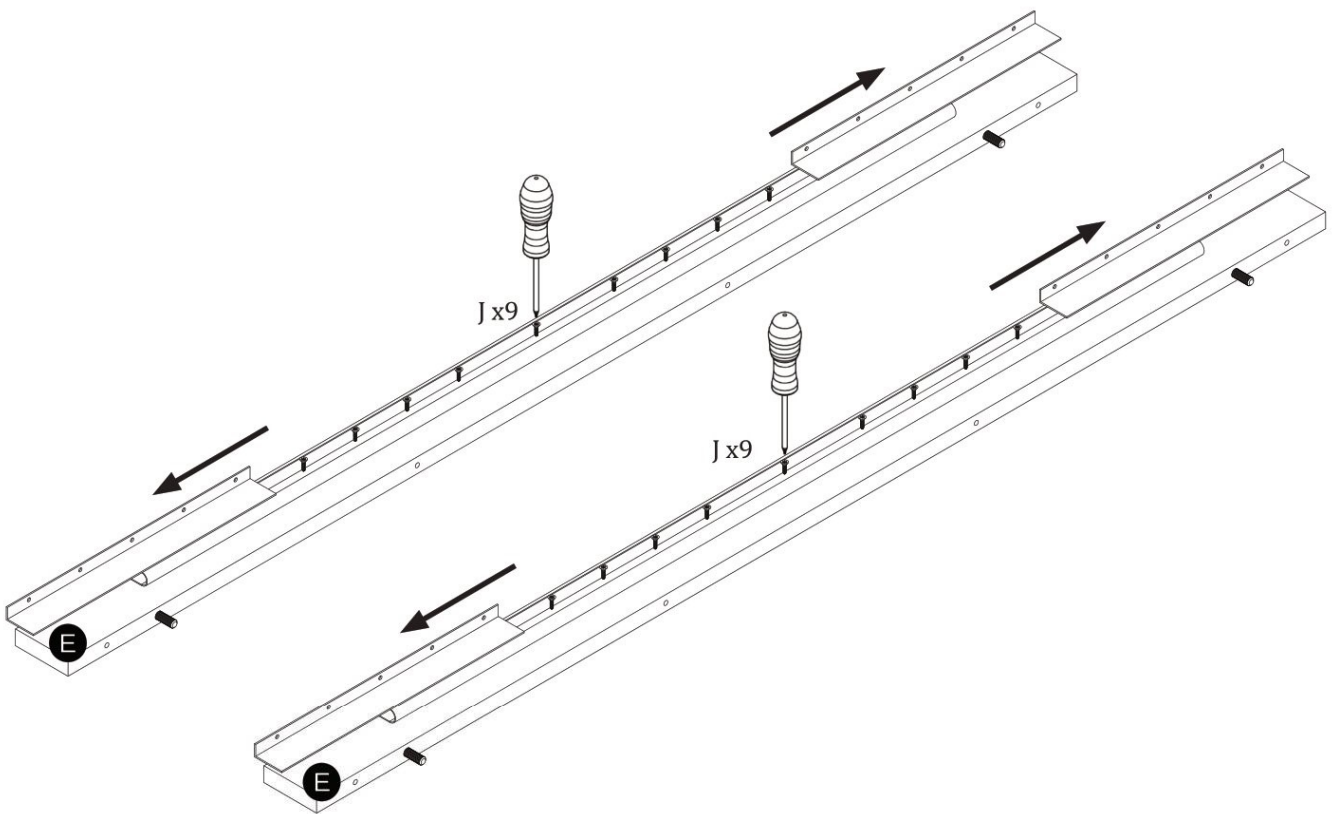
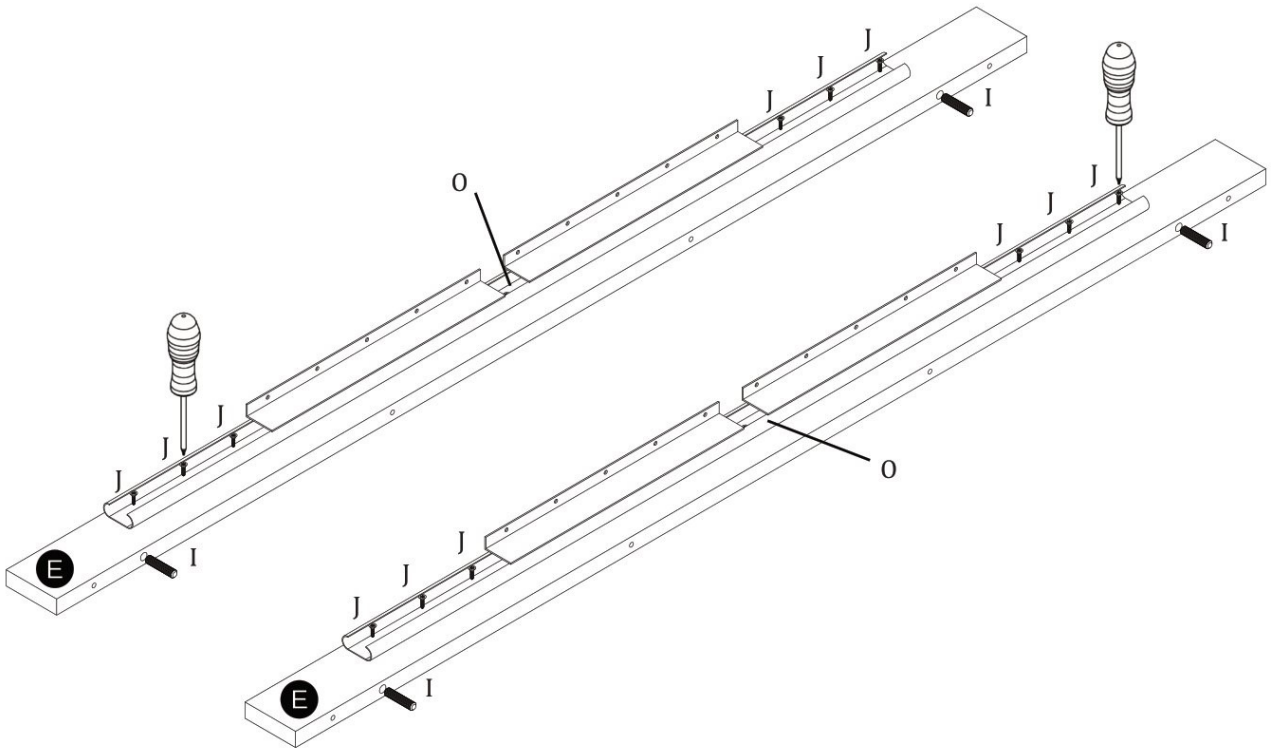
7



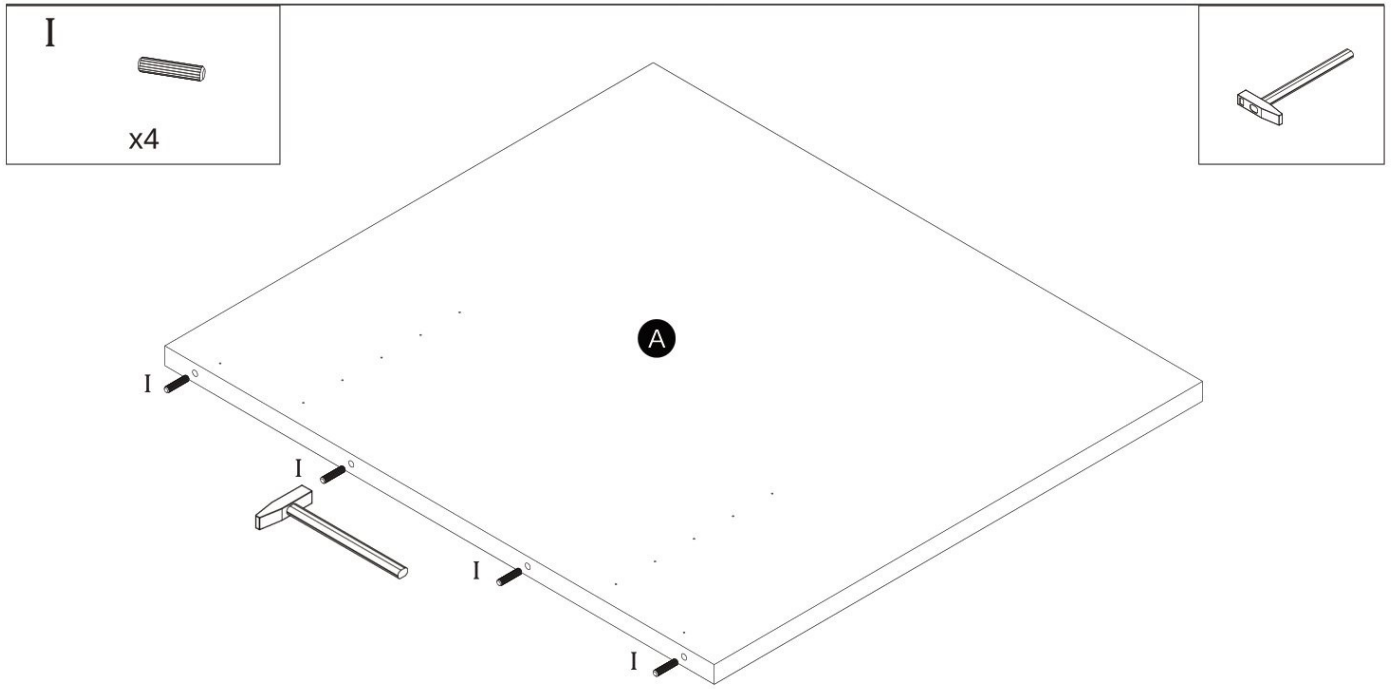


9

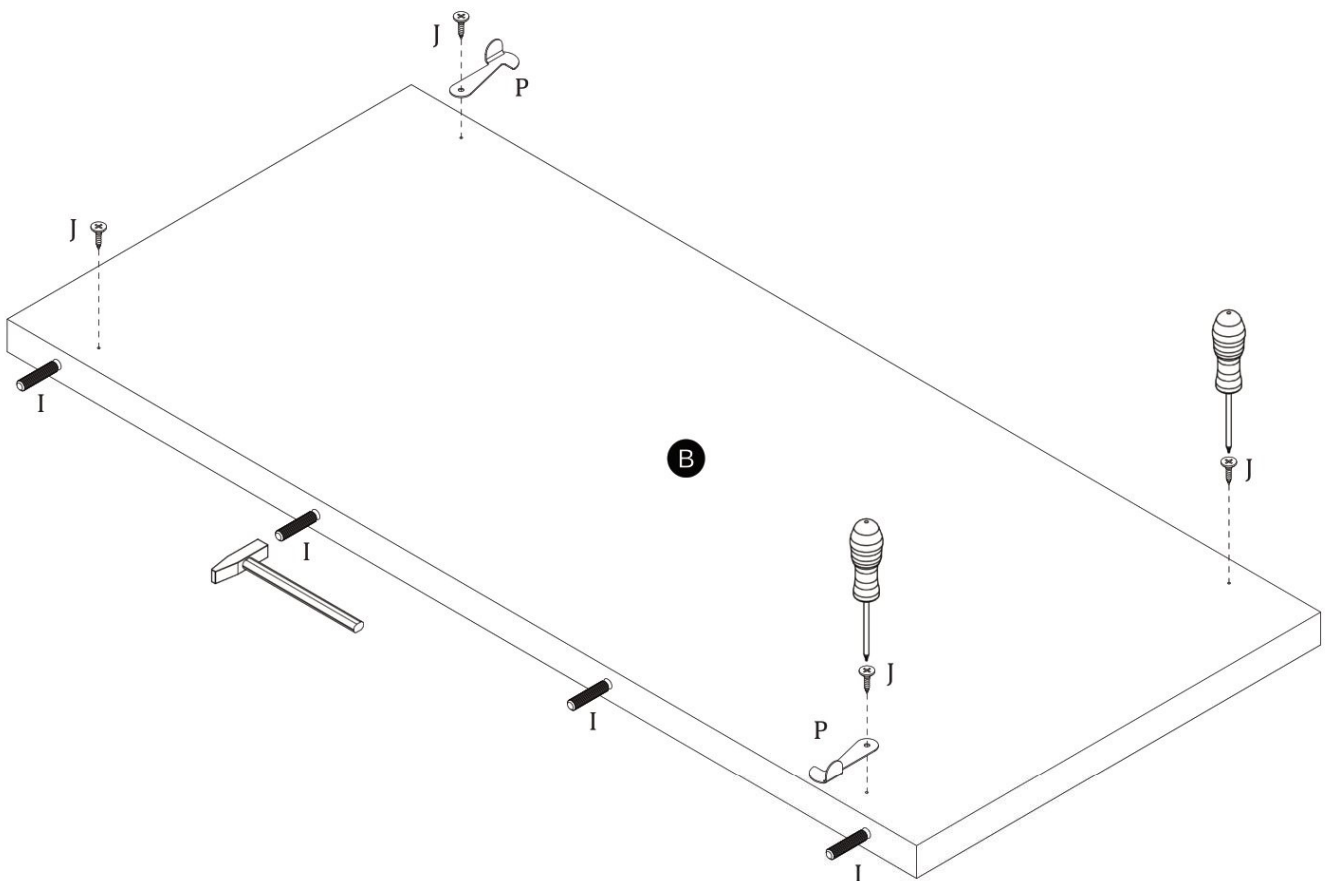
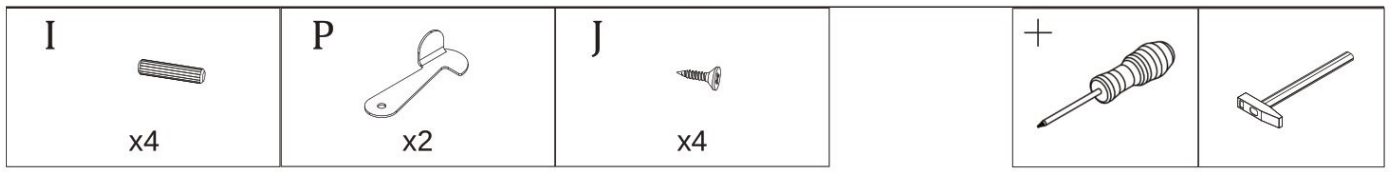
J  x30	O  x1	I  x4	+ 
--	---	---	---



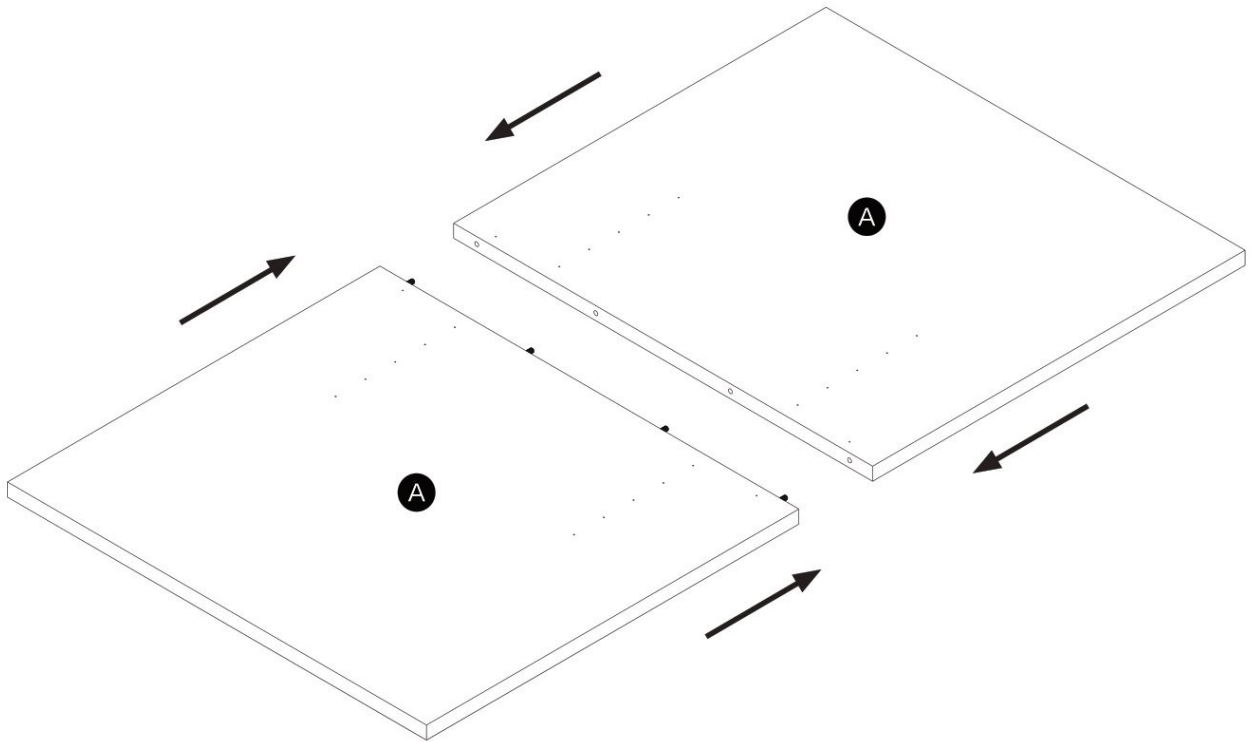
10



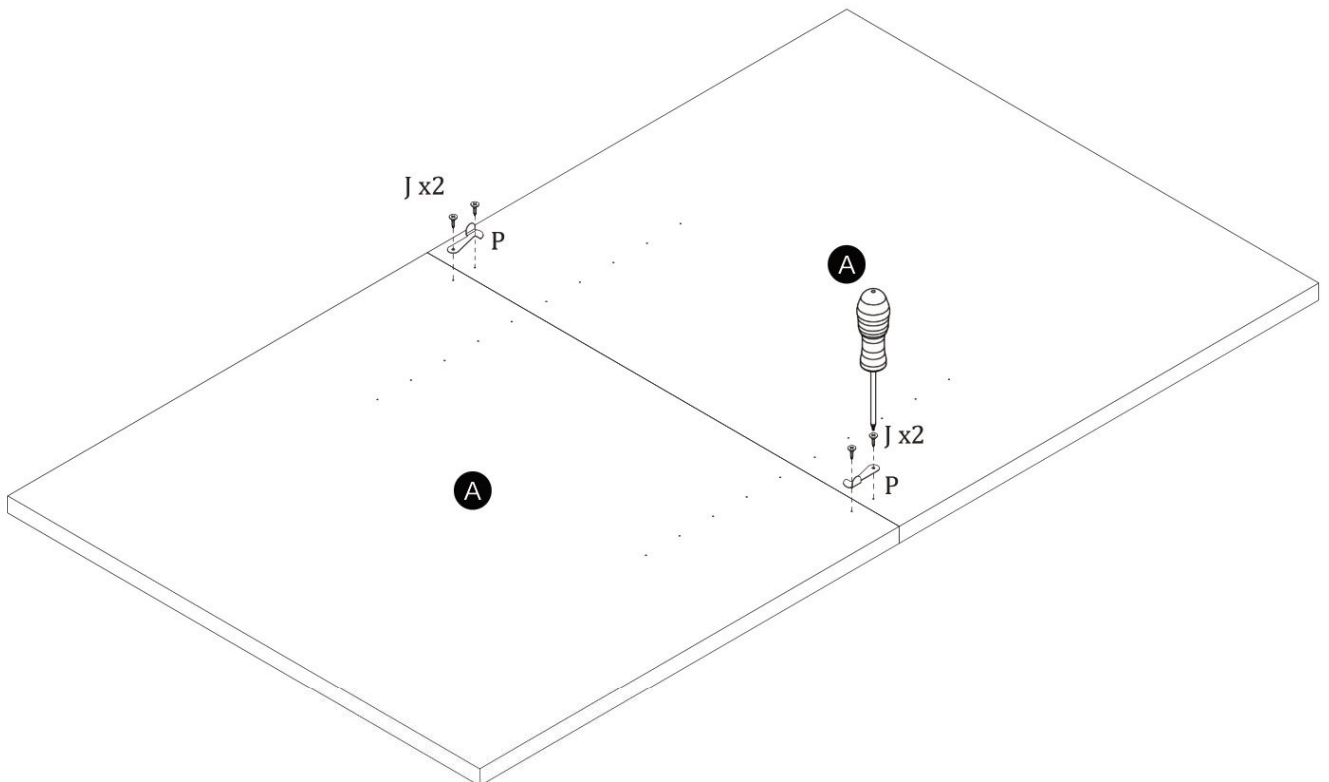
11

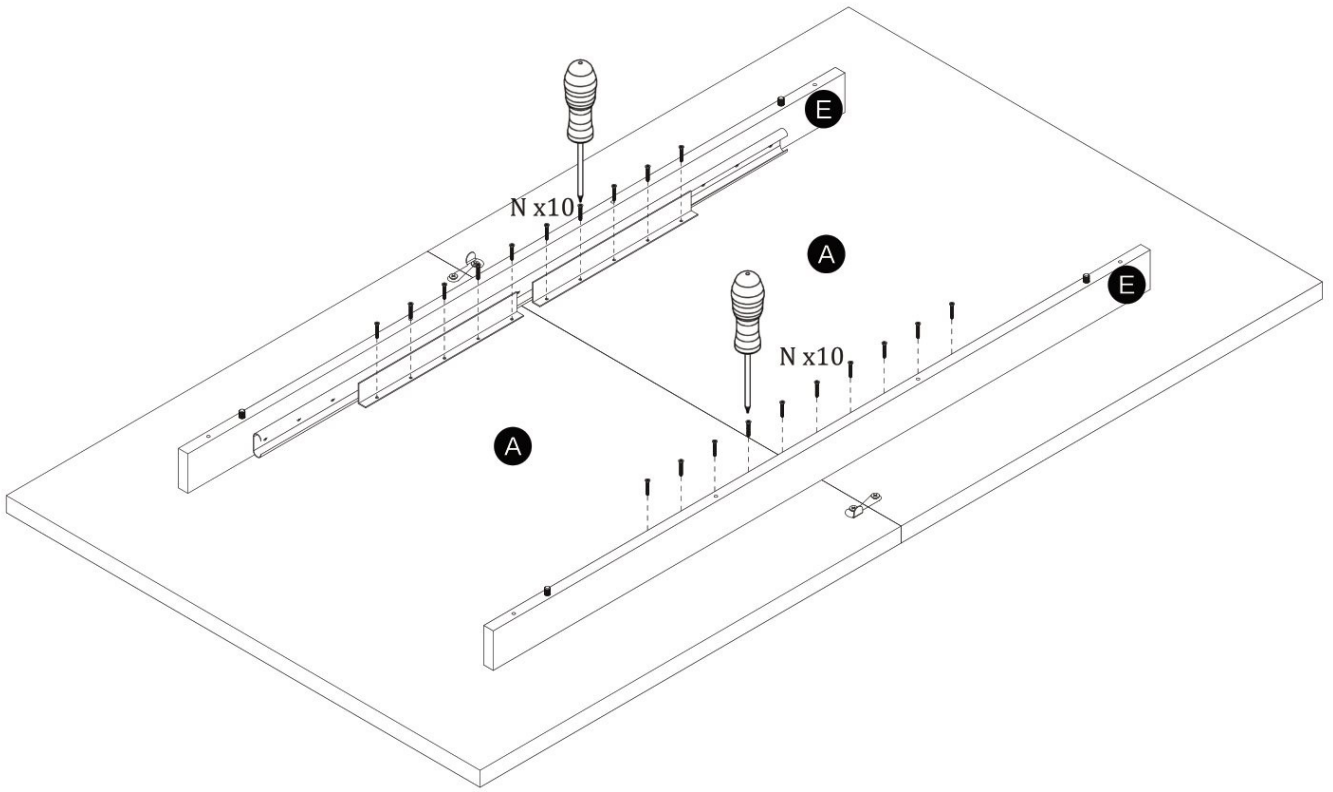
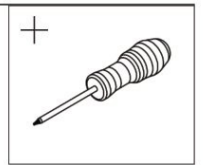
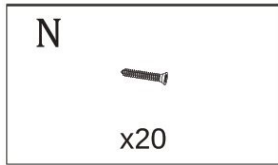


12






13





15

M  x8	K  x1	S  x24
---	---	--

