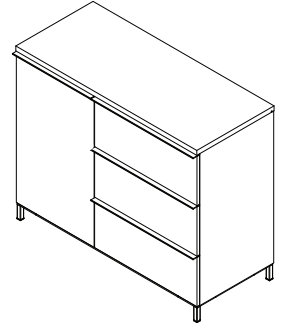
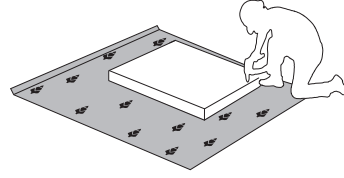
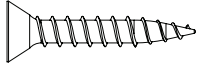


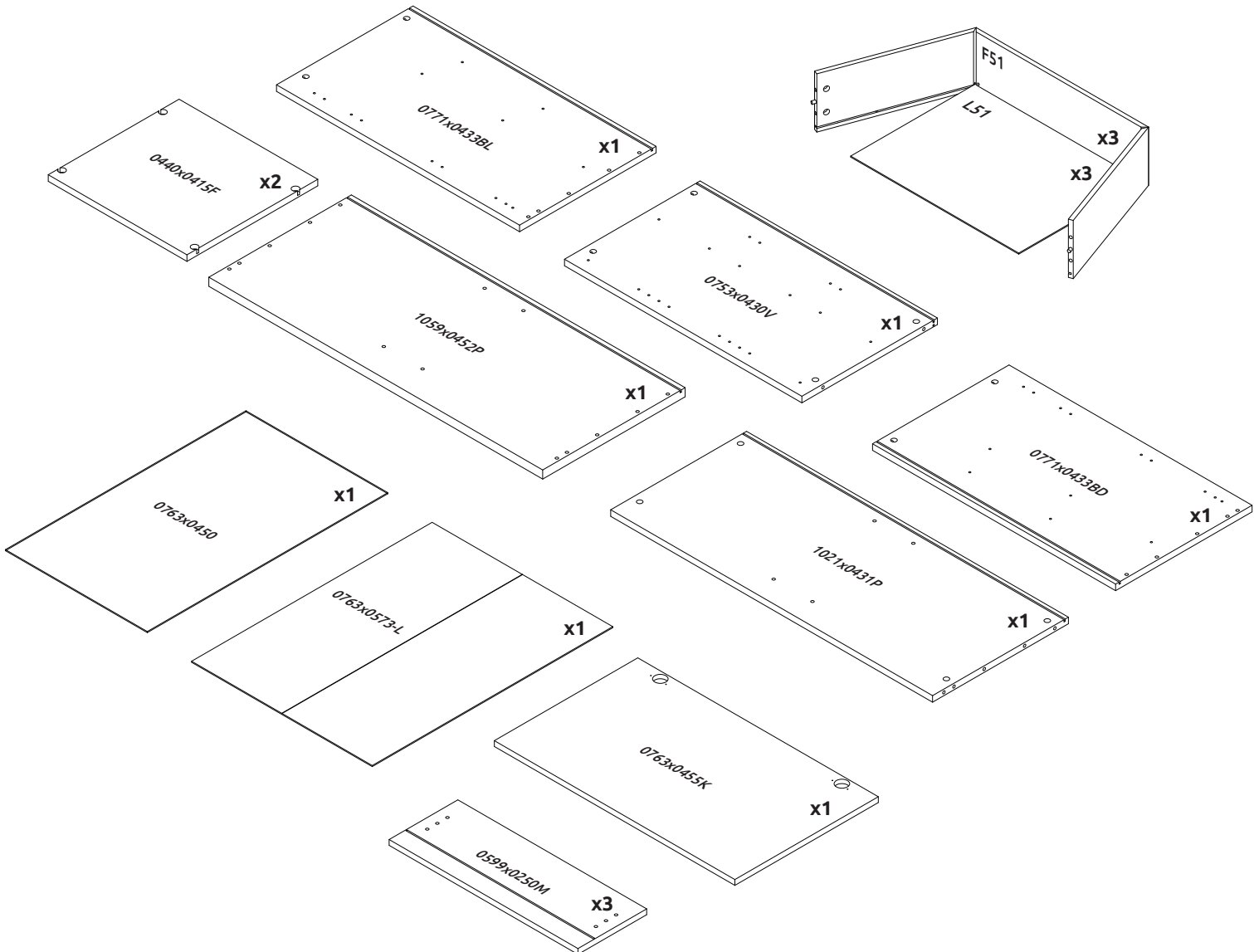


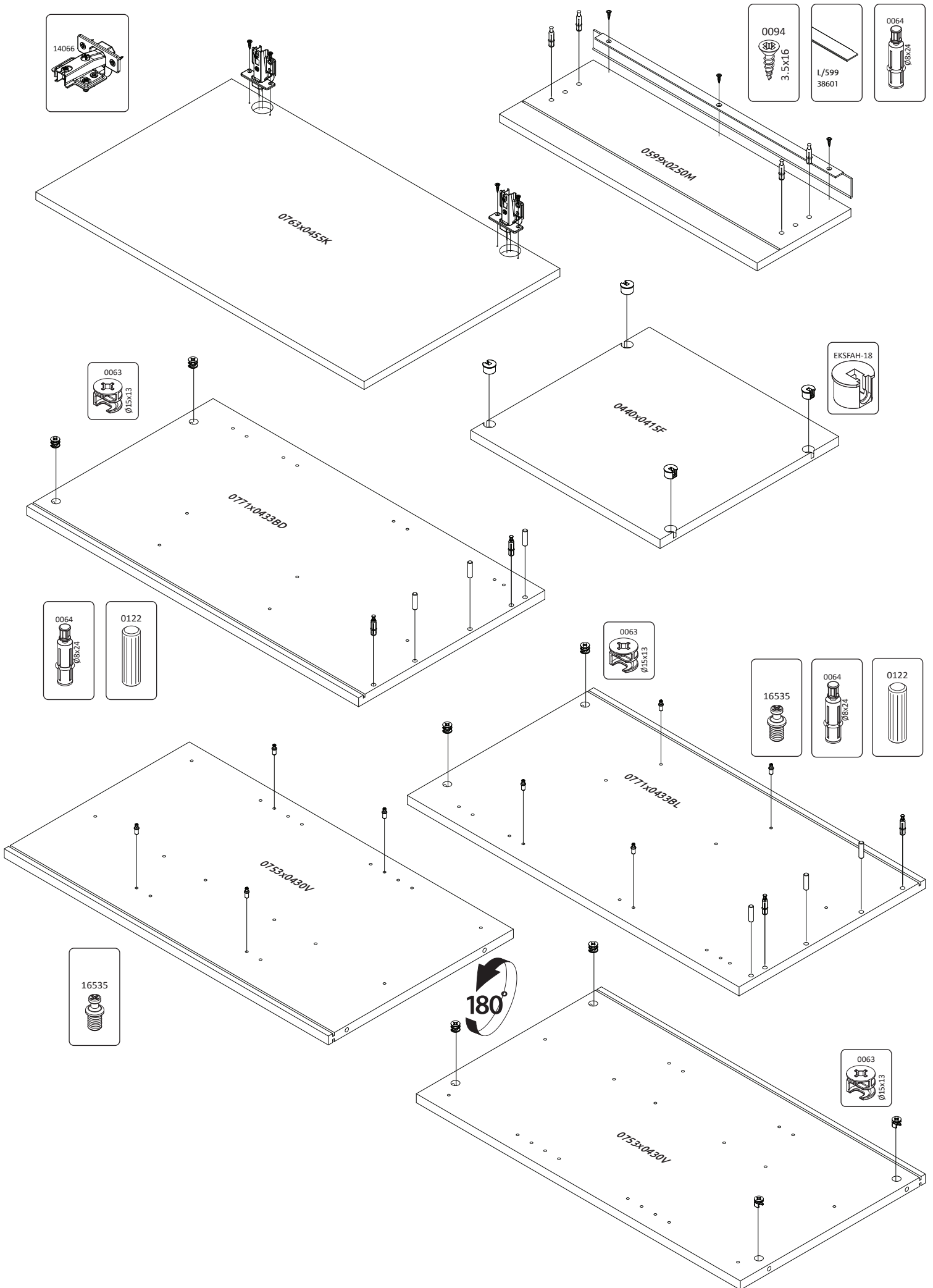
IMPORTANT - READ CAREFULLY - RETAIN FOR FUTURE REFERENCE
WICHTIG - SORGFÄLTIG LESEN UND AUFBEWAHREN

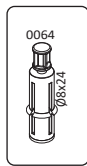
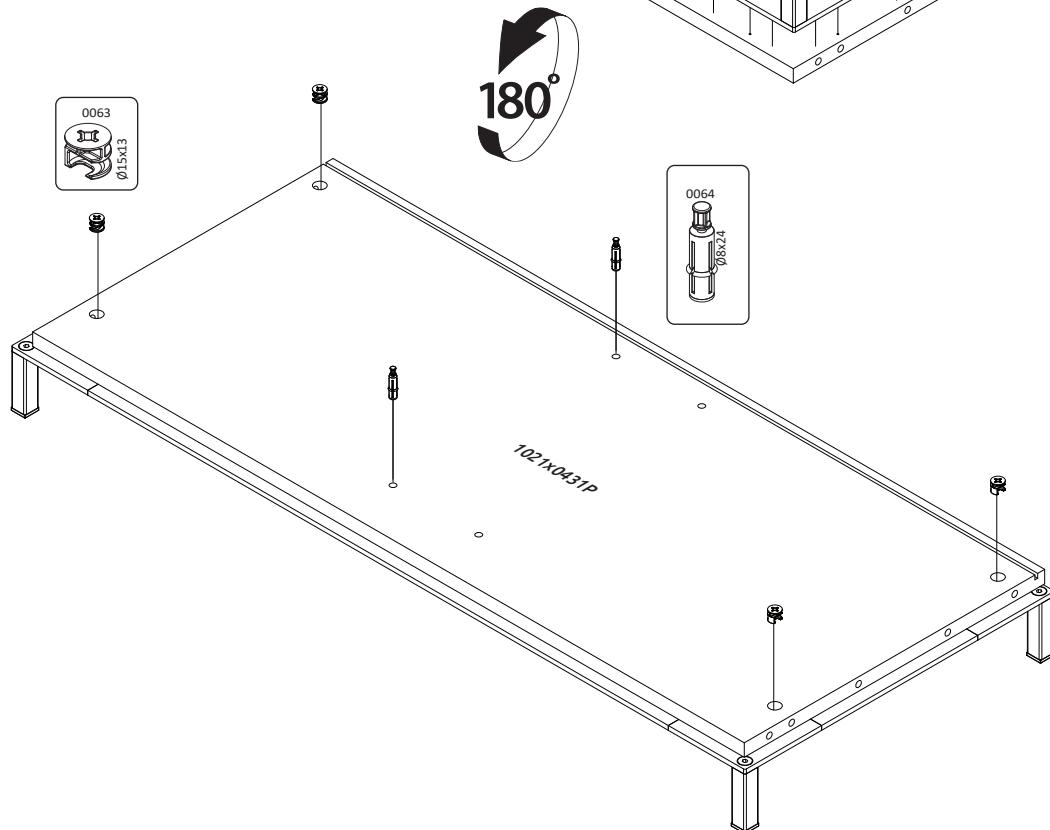
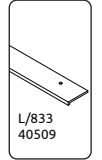
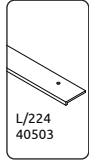
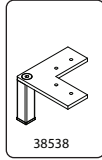
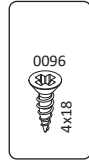
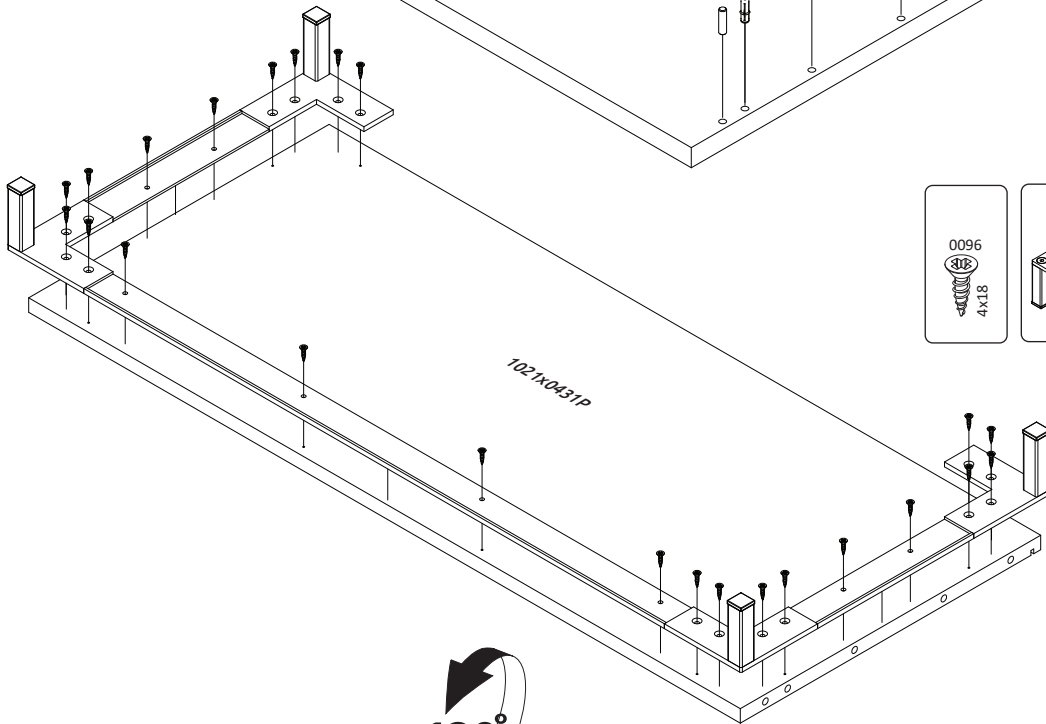
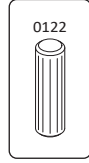
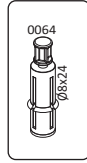
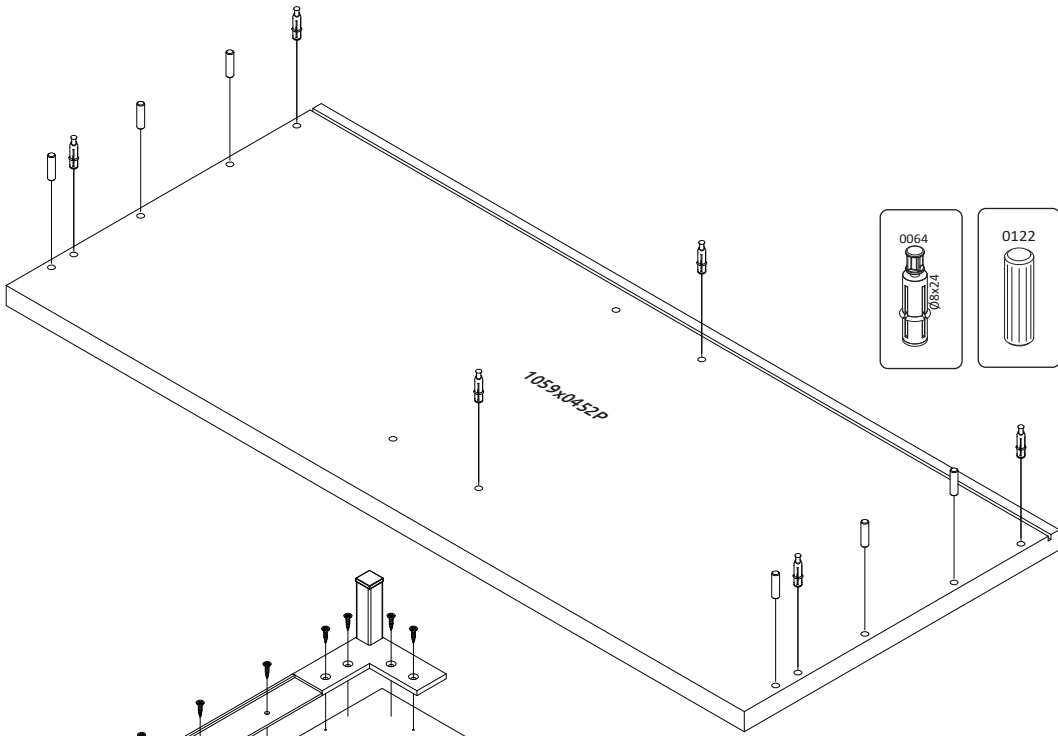


K13/ON
LWH - 1059x876x452

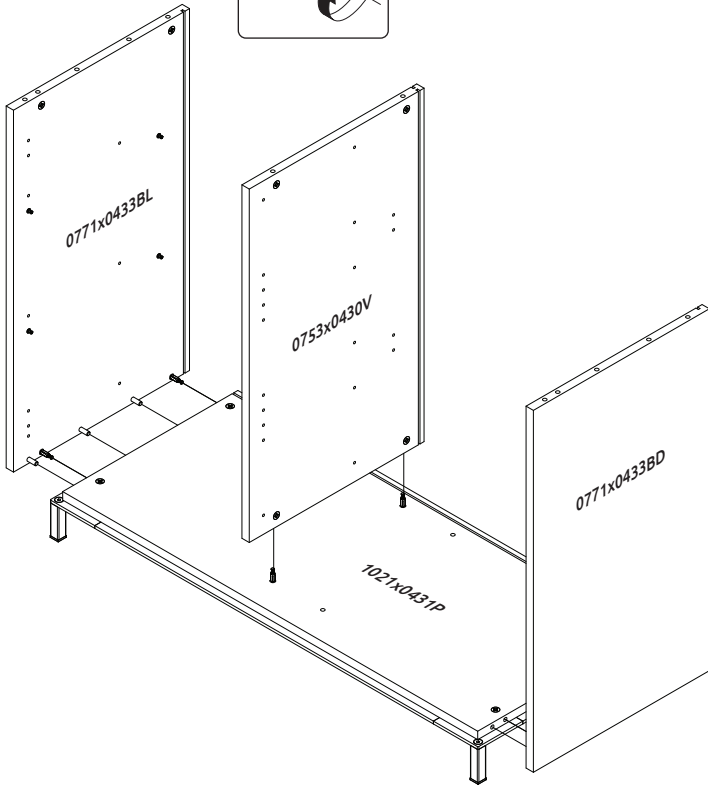
| | | | | | | | | | | | | | |
|------------------------------|------------------------------|-----------------------------|----------------------------|------------------------------|-----------------------------|------------------------------|------------------------------|-----------------------------|-----------------------------|-----------------------|--------------------|------------------------|--------------------|
| x17 0094 3.5x16 | x20 0095 3.5x20 | x12 102 6.3x13 | x24 0096 4x18 | x24 0064 1/8x24 | x12 0122 | x12 0065 Ø15x10 | x12 0063 Ø15x13 | x8 EKSF4H-18 | x12 EKSK | x2 EKSK4-SI | x20 0108 | x2 EKSK4-TEX | x4 38538 |
| x8 16535 | x1 0113 GLUE | x1 6319 | x3 14080 | x2 14066 | x3 L/599 38601 | x1 L/455 38609 | x2 L/224 40503 | x1 L/833 40509 | x1 0121 1.4x25 | | | | |



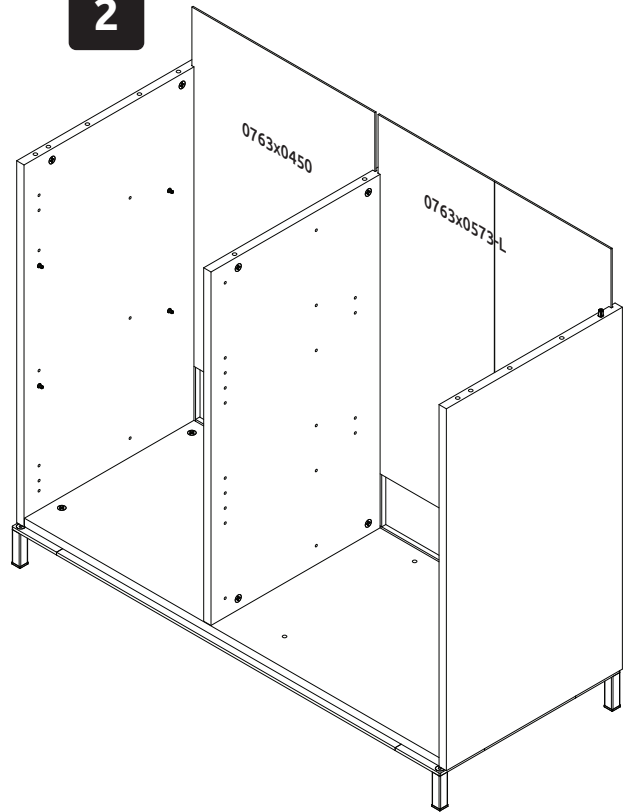




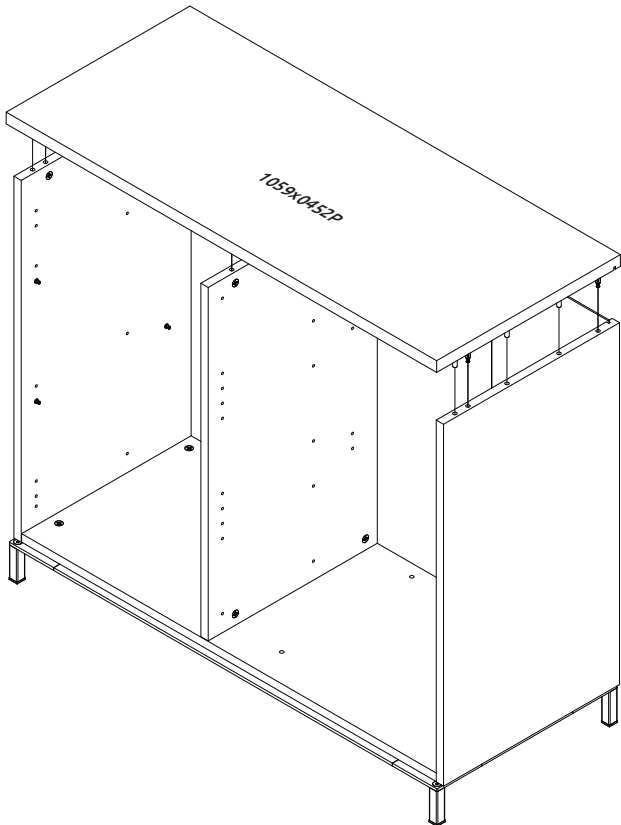
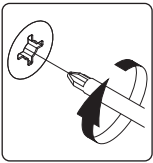
1



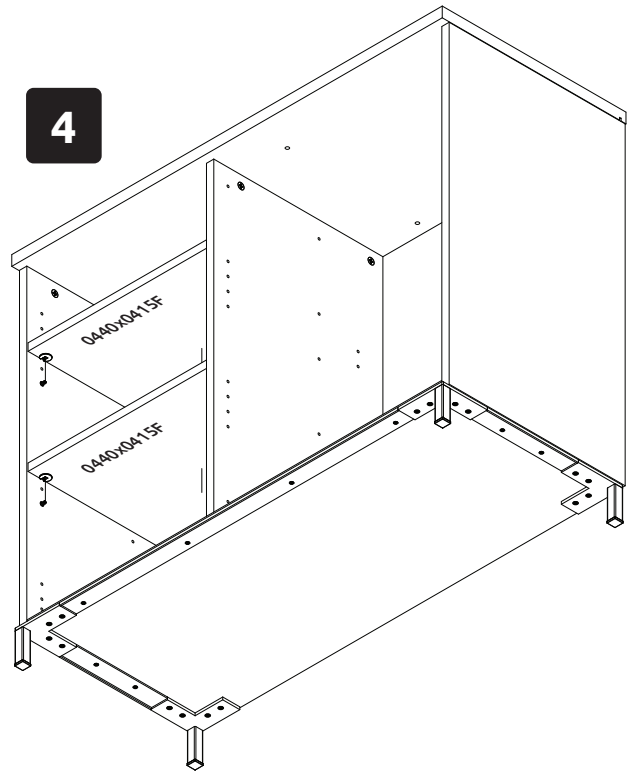
2



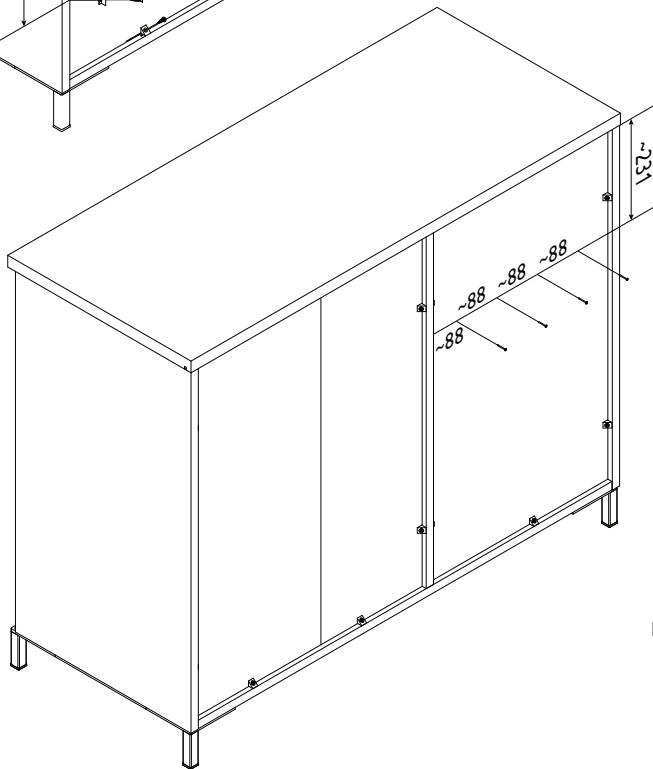
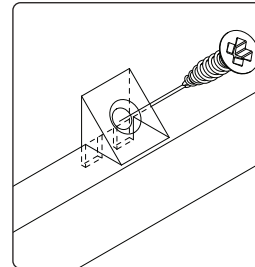
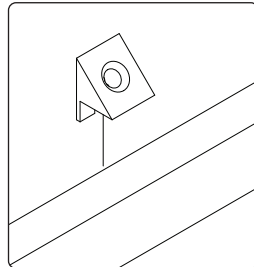
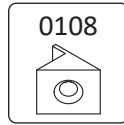
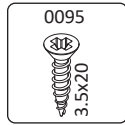
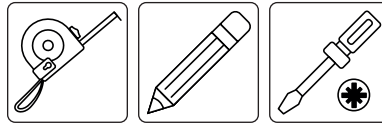
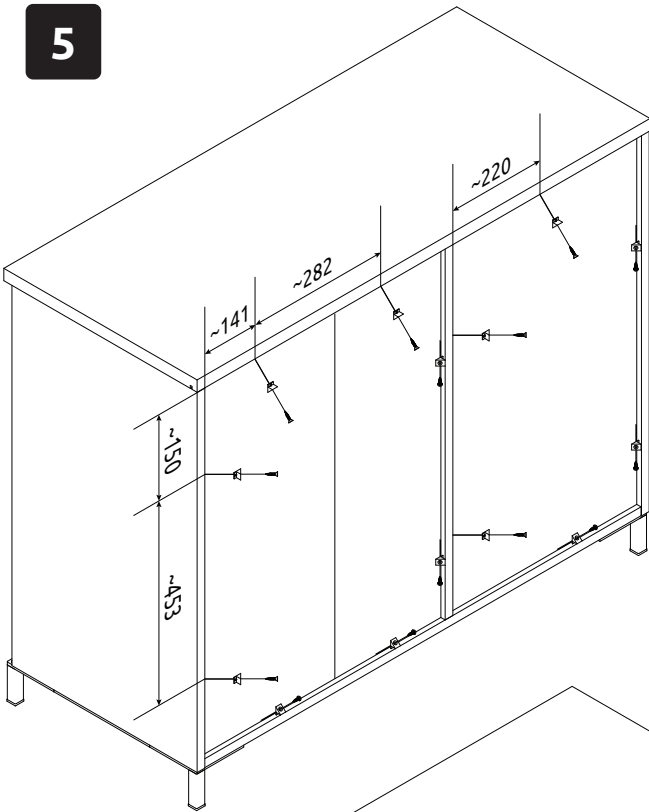
3



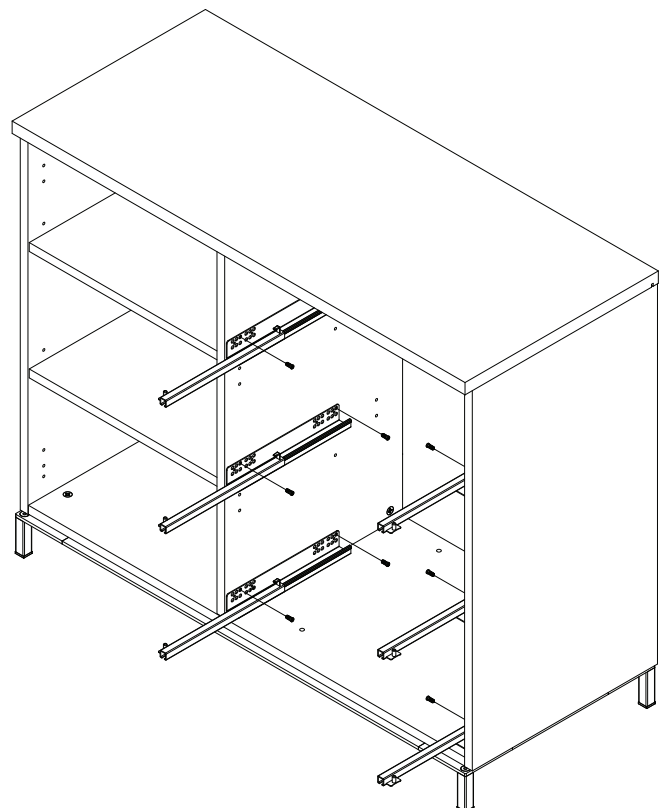
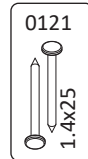
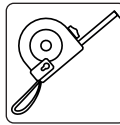
4



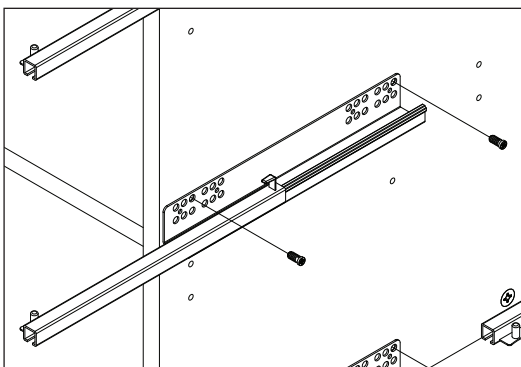
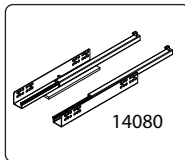
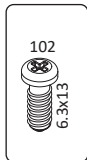
5



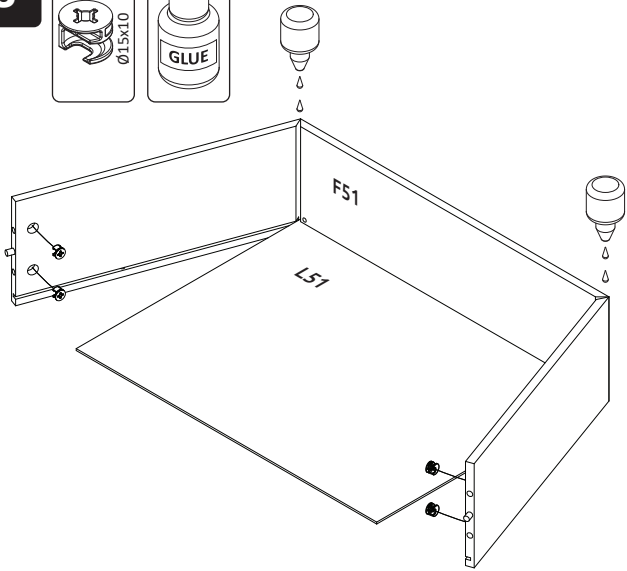
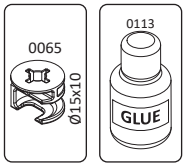
6



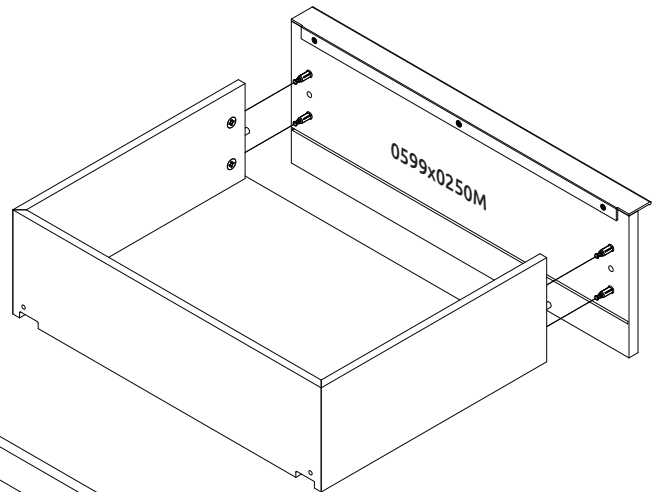
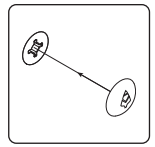
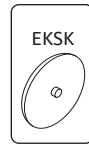
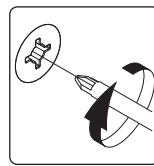
7



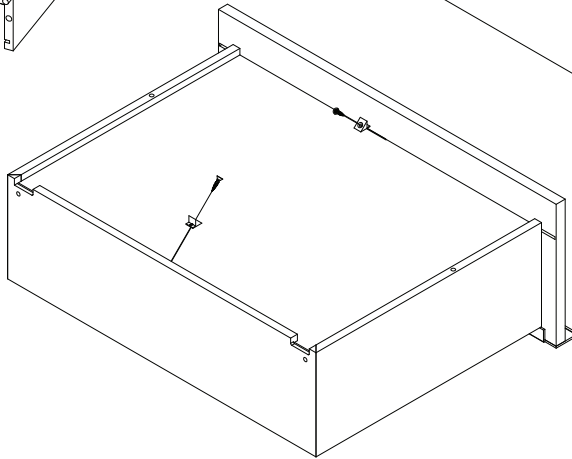
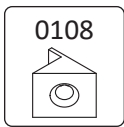
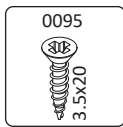
8



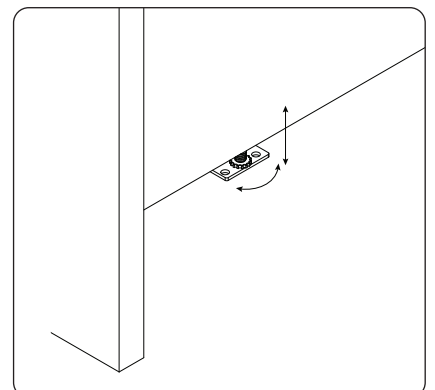
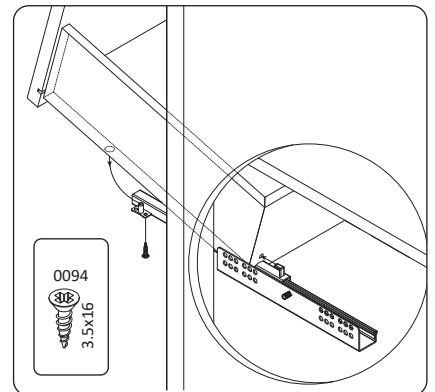
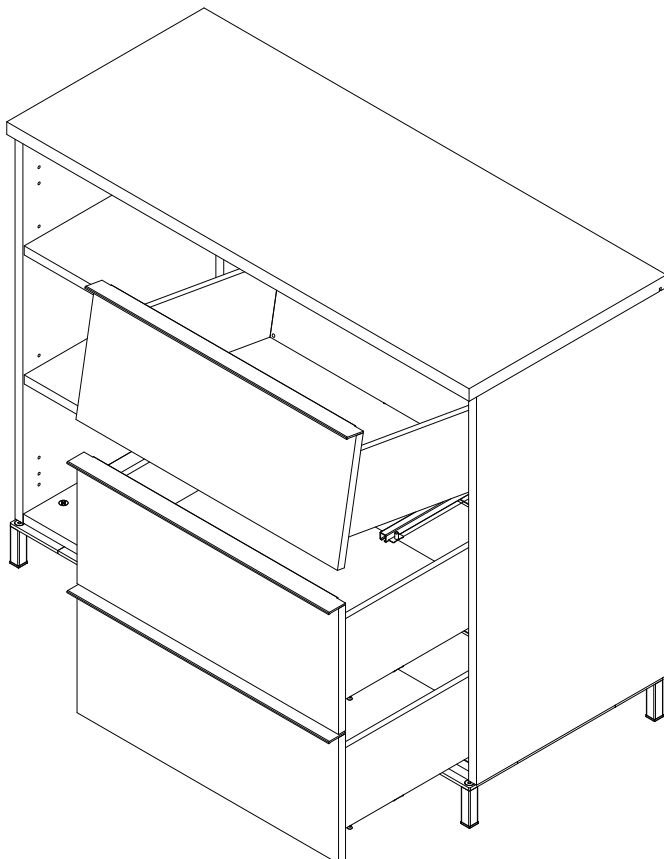
9

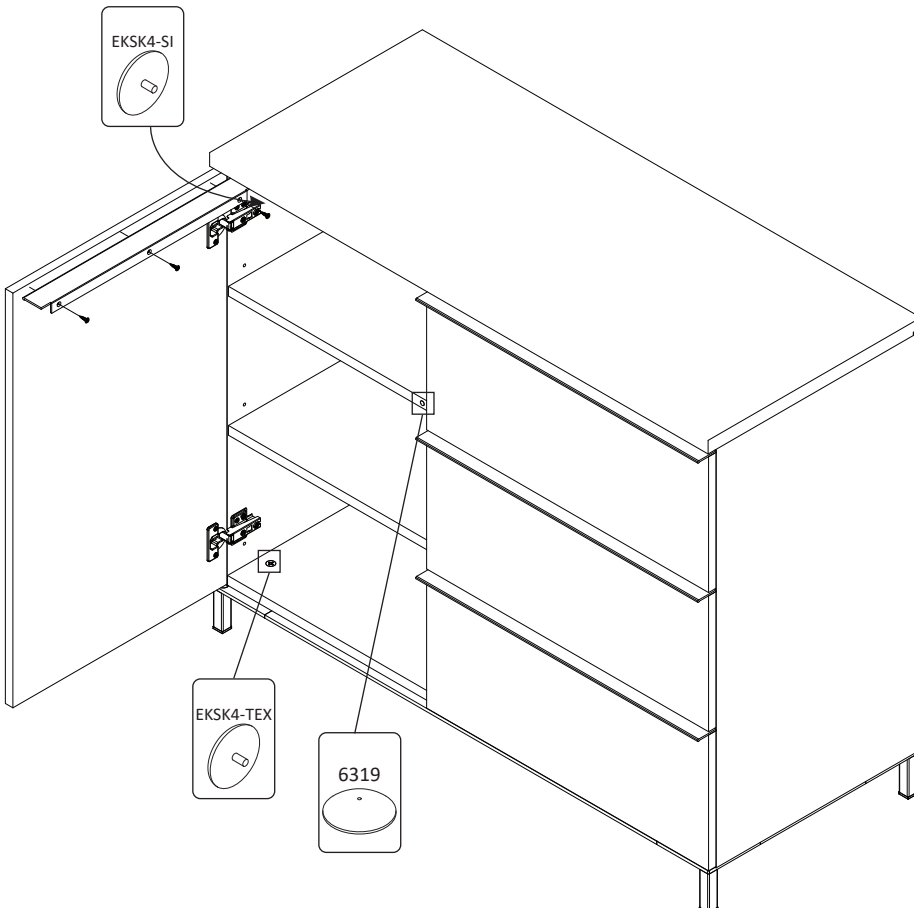
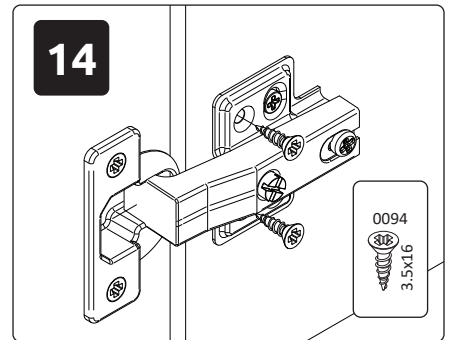
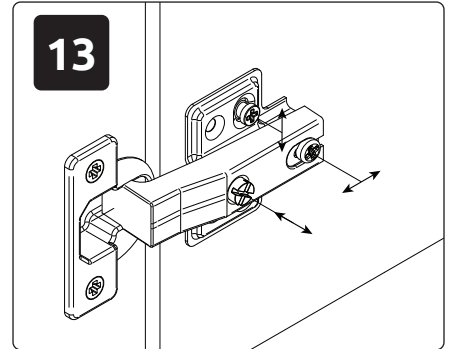
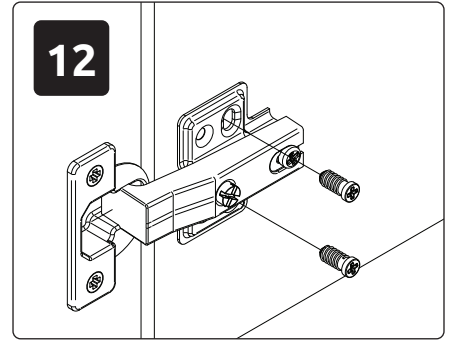
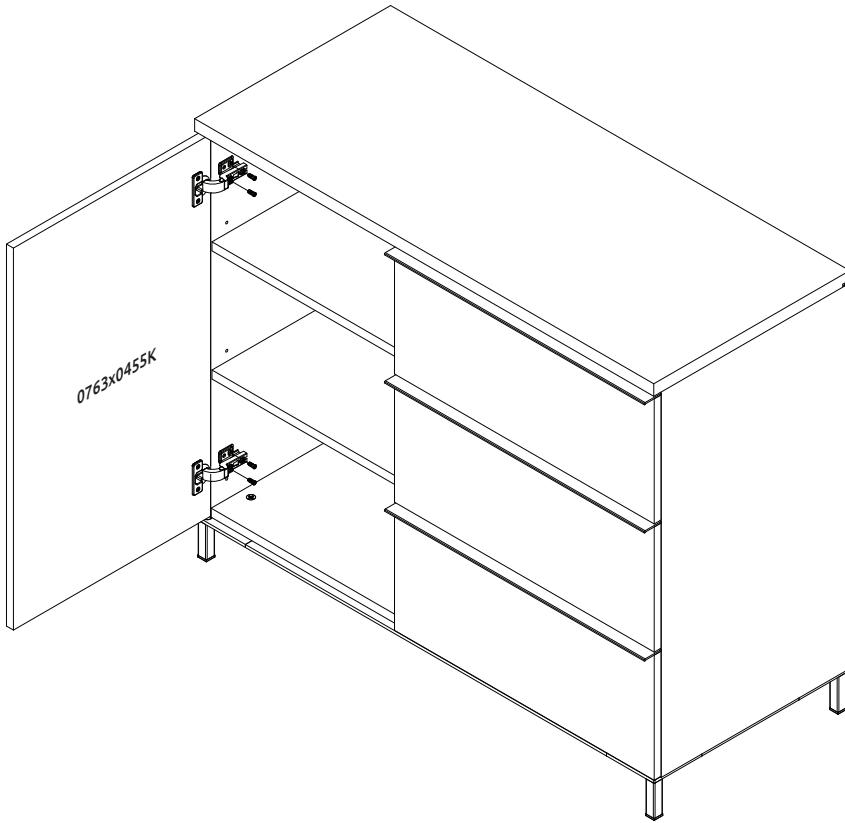


10



11





15

