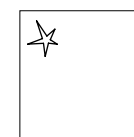




| Front/Carcase | Colour code |
|--|-------------|
| High polish white front/Alpine white carcase | A9L20 |



High polish white



Alpine white

Cupboards & Co. – Versatile all-rounders for any number of furnishing challenges and storage solutions

Shoe/Hall cupboards • Office/All-purpose cupboards • Wardrobes •
Shelf units, Desk, Matching pieces • Beds



handles/handle strips
Aluminium colour

■ You will find matching extras after the wardrobes.

Supplier: Rauch Möbelwerke GmbH

Quality features

rauch BLUE



Interior colour
Texline
colour



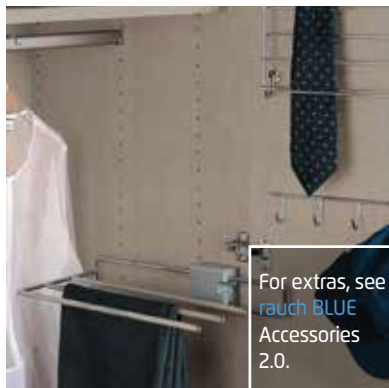
Metal guide rails,
rauch EASY
SLIDE



Drawers
on silent
ball-bearing
runners



Optional
dampers for
hinged and
sliding doors



For extras, see
rauch BLUE
Accessories
2.0.

Top work-
manship

Proven
fittings
technology

Easy to
assemble

Practical
accessories

Material information



Colour

Furniture with colour finish has an evenly attractive, hard-wearing surface.



WOODMAX chipboard

This healthy green-wood chipboard was designed specifically for use in living areas. Our Woodmax chipboard is made only from pollutant-free small-diameter logs and windfall timber from sustainably managed forestry operations in regional woods.



Load-bearing capacity

The load limits for all furniture and extras can be found in the load table at: <https://qrco.de/rauch-belastungstabelle>

Our natural raw material




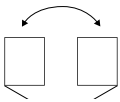


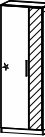



Rauch has won various awards for the material used in its boards. Strict tests by impartial institutes consistently confirm that our materials and processes are not harmful to health.








Award-winning and certified








Shoe/Hall cupboards

| | |
|--|-------------|
| Front/Carcase | Colour code |
| High polish white front/Alpine white carcase | A9L20 |

| WARDROBES | | Shoe cabinets with hinged doors. | | | | | | |
|--|---|---|---|---|----------------------|----------------------|-----------------------|----------------------|
|  Wardrobe depth ↗ 41 cm |    |   |   |   | | | | |
| | | | | | hinged door wardrobe | hinged door wardrobe | hinged door wardrobe | hinged door wardrobe |
| | | | | | 1-door | 2-door | 2-door, 1 mirror door | 2-door |
| | ↔ 47 cm ↓ 197 cm ↗ 41 cm | ↔ 69 cm ↓ 197 cm ↗ 41 cm | ↔ 69 cm ↓ 197 cm ↗ 41 cm | ↔ 91 cm ↓ 197 cm ↗ 41 cm | | | | |
| Article | Price | 3941 | 3943 | 2943 | 3148 | | | |

| WARDROBES | | Shoe cabinets with hinged doors. | | Hall cupboards with hinged doors. | | | |
|--|---|----------------------------------|--|---|---|-----------------------|-----------------------|
|  Wardrobe depth ↗ 41 cm |   | | |   |   | | |
| | | | | | | hinged door wardrobe | hinged door wardrobe |
| | | | | | | 2-door, 1 mirror door | 2-door, 1 mirror door |
| | ↔ 91 cm ↓ 197 cm ↗ 41 cm | | | ↔ 69 cm ↓ 197 cm ↗ 41 cm | ↔ 69 cm ↓ 197 cm ↗ 59 cm | | |
| Article | Price | 2548 | | 3942 | 2942 | | |

| WARDROBES | | Shoe/Hall cupboards with hinged doors. | | | | | |
|--|---|---|-------------|--|--|----------------------|----------------------|
|  Wardrobe depth ↗ 41 cm |   |   | | | | | |
| | | | | | | hinged door wardrobe | hinged door wardrobe |
| | | | | | | 2-door | 2-door |
| | ↔ 91 cm ↓ 197 cm ↗ 41 cm | ↔ 91 cm ↓ 197 cm ↗ 41 cm | | | | | |
| Article | Price | 3140 | 2540 | | | | |

MINOSA-PLUS

rauch BLUE


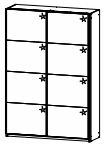

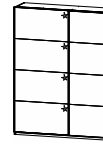
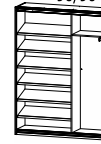
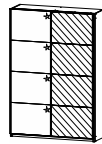
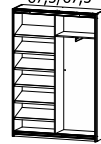
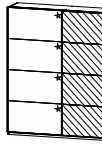
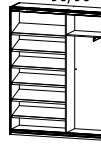
Purchase Pricelist
Prices = invoice prices in Euro

13.02.2023 SB_JW
Valid from 01.04.2023 until revoked



Shoe/Hall cupboards

| | |
|--|-------------|
| Front/Carcase | Colour code |
| High polish white front/Alpine white carcase | A9L20 |



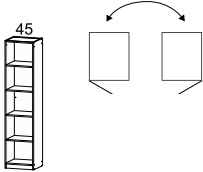
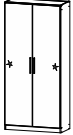

| WARDROBES | | Shoe/Hall cupboards with sliding doors. | | | | | | |
|--|--|---|--|-------------|--|--|--|--|
|  <p>EAS SLID</p> <p>Wardrobe depth ↗ 48 cm</p> |   <p>67,5/67,5</p> | |   <p>90/90</p> | |   <p>67,5/67,5</p> | |   <p>90/90</p> | |
| | sliding door wardrobe | | sliding door wardrobe | | sliding door wardrobe | | sliding door wardrobe | |
| | 2-door | | 2-door | | 2-door, 1 mirror door | | 2-door, 1 mirror door | |
| | ↔136 cm ↓197 cm ↗48 cm | | ↔181 cm ↓197 cm ↗48 cm | | ↔136 cm ↓197 cm ↗48 cm | | ↔181 cm ↓197 cm ↗48 cm | |
| Article | Price | 3870 | 3871 | 283A | 284A | | | |

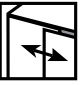

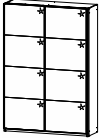
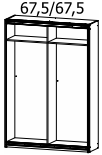
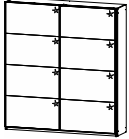
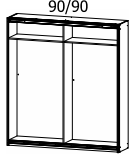
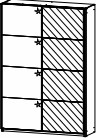
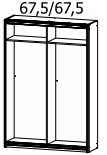
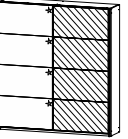

| | | | | | |
|---------|--|--|--|--|--|
| Article | | | | | |
|---------|--|--|--|--|--|

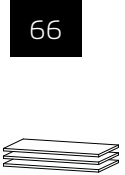

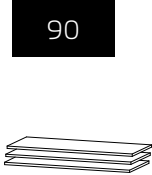

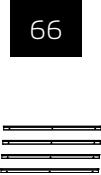

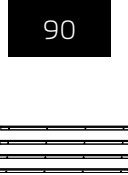

| | | | | | |
|---------|--|--|--|--|--|
| Article | | | | | |
|---------|--|--|--|--|--|

Office/All-purpose cupboards

| | |
|--|-------------|
| Front/Carcase | Colour code |
| High polish white front/Alpine white carcass | A9L20 |

| WARDROBES | | Hinged door wardrobes | | |
|--|---|---|----------------------|----------------------|
|  Wardrobe depth ↗ 41 cm |   |   | | |
| | | | hinged door wardrobe | hinged door wardrobe |
| | | | 1-door | 2-door |
| ↔ 47 cm ↓ 197 cm ↗ 41 cm | ↔ 91 cm ↓ 197 cm ↗ 41 cm | | | |
| Article | Price | 3940 | 3160 | |

| WARDROBES | | Sliding door wardrobes | | | | | | |
|--|---|---|---|---|-----------------------|-----------------------|-----------------------|-----------------------|
|   Wardrobe depth ↗ 48 cm |   |   |   |   | | | | |
| | | | | | sliding door wardrobe | sliding door wardrobe | sliding door wardrobe | sliding door wardrobe |
| | | | | | 2-door | 2-door | 2-door, 1 mirror door | 2-door, 1 mirror door |
| ↔ 136 cm ↓ 197 cm ↗ 48 cm | ↔ 181 cm ↓ 197 cm ↗ 48 cm | ↔ 136 cm ↓ 197 cm ↗ 48 cm | ↔ 181 cm ↓ 197 cm ↗ 48 cm | | | | | |
| Article | Price | 3873 | 3874 | 283B | 284B | | | |

| WARDROBES | | Shelves | | Shelf reinforcing panels to raise load bearing capacity. | | | | |
|-----------|---|---|---|---|------------------------|------------------------|-----------------------|-----------------------|
| |   |   |   |   | | | | |
| | | | | | set of 3 shelves | set of 3 shelves | reinforcement profile | reinforcement profile |
| | | | | | ↔ 66 cm ↓ 2 cm ↗ 37 cm | ↔ 88 cm ↓ 2 cm ↗ 37 cm | ↑ 66 cm ↗ 2 cm | ↑ 88 cm ↗ 2 cm |
| Article | Price | 9FC3 | 9FD3 | 9FL0 | 9FL1 | | | |

Wardrobes

| | |
|--|-------------|
| Front/Carcase | Colour code |
| High polish white front/Alpine white carcase | A9L20 |

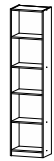



| WARDROBES | | Hinged door wardrobes | | |
|-----------------------------------|-------|-----------------------|-----------------------|-----------------------|
| <p>Wardrobe depth ↗ 54 cm</p> | | | | |
| | | hinged door wardrobe | hinged door wardrobe | hinged door wardrobe |
| | | 1-door | 2-door | 2-door, 1 mirror door |
| | | ↔47 cm †197 cm ↗54 cm | ↔69 cm †197 cm ↗54 cm | ↔69 cm †197 cm ↗54 cm |
| Article | Price | 3103 | 3554 | 2742 |

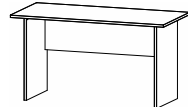

| WARDROBES | | Hinged door wardrobes | | |
|-----------------------------------|-------|-----------------------|-----------------------|--|
| <p>Wardrobe depth ↗ 54 cm</p> | | | | |
| | | hinged door wardrobe | hinged door wardrobe | |
| | | 2-door | 2-door, 1 mirror door | |
| | | ↔91 cm †197 cm ↗54 cm | ↔91 cm †197 cm ↗54 cm | |
| Article | Price | 3100 | 277D | |

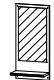


| WARDROBES | | Sliding door wardrobes | | | |
|-----------------------------------|-------|------------------------|------------------------|------------------------|------------------------|
| <p>Wardrobe depth ↗ 61 cm</p> | | | | | |
| | | sliding door wardrobe | sliding door wardrobe | sliding door wardrobe | sliding door wardrobe |
| | | 2-door | 2-door | 2-door, 1 mirror door | 2-door, 1 mirror door |
| | | ↔136 cm †197 cm ↗61 cm | ↔181 cm †197 cm ↗61 cm | ↔136 cm †197 cm ↗61 cm | ↔181 cm †197 cm ↗61 cm |
| Artikel | Preis | 3860 | 3862 | 283H | 284H |

Shelf units, Desk

| | |
|--|-------------|
| Front/Carcase | Colour code |
| High polish white front/Alpine white carcase | A9L20 |

| SHELF UNITS | | | | | |
|---|---|---|---|-------------|-------------|
|  |  |  |  | | |
| shelf unit | shelf unit | shelf unit | shelf unit | | |
| with 5 shelves | 3 drawers, with 4 shelves | with 10 shelves | 6 drawers, with 8 shelves | | |
| ↔47 cm ↑197 cm ↗32 cm | ↔47 cm ↑197 cm ↗33 cm | ↔91 cm ↑197 cm ↗32 cm | ↔91 cm ↑197 cm ↗33 cm | | |
| Article | Price | 8415 | 840H | 8505 | 850H |

| DESK | | | |
|---|---|-------------|-------------|
| Desk, Chest on castors | | | |
|  |  | | |
| desk | chest on castors | | |
| | 3 drawers | | |
| ↔140 cm ↑75 cm ↗66 cm | ↔47 cm ↑65 cm ↗44 cm | | |
| Article | Price | 9503 | 7845 |

| MATCHING PIECES | | | | |
|---|---|---|-------------|-------------|
|  |  |  | | |
| mirror | wall rack | wall rack | | |
| with shelving unit | | | | |
| ↔47 cm ↑100 cm ↗24 cm | ↔47 cm ↑22 cm ↗24 cm | ↔92 cm ↑22 cm ↗24 cm | | |
| Article | Price | 627F | 8867 | 8869 |

MINOSA-PLUS

rauch BLUE

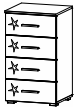


Purchase Pricelist
Prices = invoice prices in Euro

13.02.2023 SB_JW
Valid from 01.04.2023 until revoked



Matching pieces

| | |
|--|-------------|
| Front/Carcase | Colour code |
| High polish white front/Alpine white carcase | A9L20 |

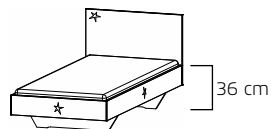
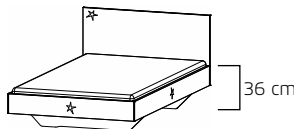
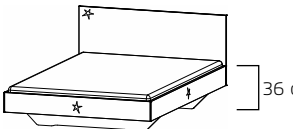

| MATCHING PIECES | | Cupboards | | | |
|-----------------|-------|---|---|---|--|
| | |  |  |  | |
| | | chest | chest | chest | |
| | | 4 drawers | 1-door, 4 drawers | 5 drawers | |
| | | ↔47 cm †81 cm ↗42 cm | ↔93 cm †81 cm ↗42 cm | ↔93 cm †81 cm ↗42 cm | |
| Article | Price | 6152 | 6154 | 677T | |



| | | | | | |
|---------|--|--|--|--|--|
| | | | | | |
| Article | | | | | |

| | | | | | |
|---------|--|--|--|--|--|
| | | | | | |
| Article | | | | | |

Beds

| | |
|--|-------------|
| Front/Carcase | Colour code |
| High polish white front/Alpine white carcase | A9L20 |

| BEDS | | | | | |
|---|---|--|---|---|-------------|
| <ul style="list-style-type: none"> • Bed side height = 36 cm • Slatted frame can be adjusted to 3 different heights • Inlet depths (Upper edge of bed side to support height): 8,0 cm 9,6 cm 11,2 cm |  |  |  |  | |
| | bed | bed | bed | bedding box on rollers | |
| | headboard high polish | headboard high polish | headboard high polish | | |
| | 90/200 ↔95 cm :83 cm ↗205 cm BG 90 | 120/200 ↔125 cm :83 cm ↗205 cm BG 20 | 140/200 ↔145 cm :83 cm ↗205 cm BG 40 | ↔59 cm :16 cm ↗108 cm | |
| Article | Price | 708B | 708K | 708L | 9901 |





| MATCHING PIECES | | | | |
|-----------------|---|--|-------------|--|
| |  |  | | |
| | bedside table | bedside tables, pair | | |
| | 2 drawers | 2 drawers | | |
| | ↔50 cm :38 cm ↗37 cm | ↔50 cm :38 cm ↗37 cm | | |
| Article | Price | 645L | 645M | |





| | | | | |
|---------|-------|--|--|--|
| Article | Price | | | |
|---------|-------|--|--|--|

Accessories

| | |
|--------------------------------------|-------------|
| Front/Carcase | Colour code |
| Texline (Linen look in natural hues) | A0031 |

| ACCESSORIES | | Extending rail holder | |
|-------------|-------------|---|--|
| Article | Price |  | |
| | | extending rail holder | |
| | | ↔4 cm ↓6 cm ↗31 cm | |
| | 9760 | | |

| ACCESSORIES | | Door dampers | | |
|-------------|-------------|---|---|---|
| Article | Price |  |  |   |
| | | set of 5 dampers for hinged doors | set of 10 dampers for hinged doors | set of 2 dampers for sliding wardrobes EASY SLIDE |
| | | ↔45 cm ↓3 cm ↗7 cm | ↔45 cm ↓12 cm ↗7 cm | Cushions the door stop on the outer panels. |
| | 9DD5 | 9DD0 | 9DC2 | |

| ACCESSORIES | | Shelves | | |
|--|-------|---|---|---|
|  for wardrobe depth ↗ 41 cm | Preis |  |  |  |
| | | 1 shelf | set of 2 shelves | set of 3 shelves |
| | | ↔43 cm ↓1,6 cm ↗37 cm | ↔43 cm ↓1,6 cm ↗37 cm | ↔43 cm ↓1,6 cm ↗37 cm |
| Article | | 9FB4 | 9FB2 | 9FB3 |

Accessories

| | |
|--------------------------------------|-------------|
| Front/Carcase | Colour code |
| Texline (Linen look in natural hues) | A0031 |

| ACCESSORIES | | Shelves | | |
|---|--|-----------------------|-----------------------|-----------------------|
| <p>for wardrobe depth ↗ 41 cm / 48 cm</p> | | 67 | 67 | 67 |
| | | 1 shelf | set of 2 shelves | set of 3 shelves |
| | | ↔66 cm ↓1,6 cm ↗37 cm | ↔66 cm ↓1,6 cm ↗37 cm | ↔66 cm ↓1,6 cm ↗37 cm |
| | | Article | Preis | 9FC4 |

| ACCESSORIES | | Shelves | | |
|---|--|-----------------------|-----------------------|-----------------------|
| <p>for wardrobe depth ↗ 41 cm / 48 cm</p> | | 90 | 90 | 90 |
| | | 1 shelf | set of 2 shelves | set of 3 shelves |
| | | ↔88 cm ↓1,6 cm ↗37 cm | ↔88 cm ↓1,6 cm ↗37 cm | ↔88 cm ↓1,6 cm ↗37 cm |
| | | Article | Price | 9FD4 |

| ACCESSORIES | | Shelves | | | |
|---------------------------------------|-------|-----------------------|-----------------------|-----------------------|-----------------------|
| <p>for wardrobe depth ↗ 54 cm</p> | | 45 | 45 | 45 | 45 |
| | | 1 shelf | set of 2 shelves | set of 3 shelves | set of 5 shelves |
| | | for unit width 45cm | for unit width 45cm | for unit width 45cm | for unit width 45cm |
| | | ↔43 cm ↓1,6 cm ↗45 cm | ↔43 cm ↓1,6 cm ↗45 cm | ↔43 cm ↓1,6 cm ↗45 cm | ↔43 cm ↓1,6 cm ↗45 cm |
| Article | Price | 9601 | 9F22 | 9602 | 9603 |

Accessories

| | |
|--------------------------------------|-------------|
| Front/Carcase | Colour code |
| Texline (Linen look in natural hues) | A0031 |

| ACCESSORIES | | Shelves | | | |
|---------------------------------------|-------|--------------------------------|---|---|---|
| <p>for wardrobe depth ↗ 54 cm</p> | | 67 | 67 | 67 | 67 |
| | | | | | |
| | | 1 shelf for unit width 66cm | set of 2 shelves for unit width 66cm | set of 3 shelves for unit width 66cm | set of 5 shelves for unit width 66cm |
| | | ↔66 cm ↓1,6 cm ↗45 cm | ↔66 cm ↓1,6 cm ↗45 cm | ↔66 cm ↓1,6 cm ↗45 cm | ↔66 cm ↓1,6 cm ↗45 cm |
| Article | Price | 9F11 | 9F12 | 9F13 | 9F18 |

| ACCESSORIES | | Shelves | | | |
|---------------------------------------|-------|--------------------------------|---|---|---|
| <p>for wardrobe depth ↗ 54 cm</p> | | 90 | 90 | 90 | 90 |
| | | | | | |
| | | 1 shelf for unit width 90cm | set of 2 shelves for unit width 90cm | set of 3 shelves for unit width 90cm | set of 5 shelves for unit width 90cm |
| | | ↔88 cm ↓1,6 cm ↗45 cm | ↔88 cm ↓1,6 cm ↗45 cm | ↔88 cm ↓1,6 cm ↗45 cm | ↔88 cm ↓1,6 cm ↗45 cm |
| Article | Price | 9604 | 9F21 | 9605 | 9606 |

| ACCESSORIES | | Shelves | | | |
|---------------------------------------|-------|--------------------------------|---|---|---|
| <p>for wardrobe depth ↗ 61 cm</p> | | 67 | 67 | 67 | 67 |
| | | | | | |
| | | 1 shelf for unit width 66cm | set of 2 shelves for unit width 66cm | set of 3 shelves for unit width 66cm | set of 5 shelves for unit width 66cm |
| | | ↔66 cm ↓1,6 cm ↗48 cm | ↔66 cm ↓1,6 cm ↗48 cm | ↔66 cm ↓1,6 cm ↗48 cm | ↔66 cm ↓1,6 cm ↗48 cm |
| Article | Price | 9668 | 9669 | 9670 | 9671 |

Accessories

| | |
|--------------------------------------|-------------|
| Front/Carcase | Colour code |
| Texline (Linen look in natural hues) | A0031 |

| ACCESSORIES | | Shelves | | | |
|---------------------------------------|-------|--------------------------------|---|---|---|
| <p>for wardrobe depth ↗ 61 cm</p> | | 90 | 90 | 90 | 90 |
| | | | | | |
| | | 1 shelf for unit width 90cm | set of 2 shelves for unit width 90cm | set of 3 shelves for unit width 90cm | set of 5 shelves for unit width 90cm |
| | | ↔88 cm ↓1,6 cm ↗48 cm | ↔88 cm ↓1,6 cm ↗48 cm | ↔88 cm ↓1,6 cm ↗48 cm | ↔88 cm ↓1,6 cm ↗48 cm |
| Article | Price | 9672 | 9673 | 9674 | 9675 |

| ACCESSORIES | | Shoe shelves | | | |
|--------------------------------|-------|--|--|--|--|
| <p>for all wardrobe depths</p> | | 45 | 45 | 67 | 67 |
| | | | | | |
| | | 2 shoe rack shelves with profiles for unit width 45cm | 3 shoe rack shelves with profiles for unit width 45cm | 2 shoe rack shelves with profiles for unit width 66cm | 3 shoe rack shelves with profiles for unit width 66cm |
| | | ↔43 cm ↓2 cm ↗37 cm | ↔43 cm ↓2 cm ↗37 cm | ↔66 cm ↓4 cm ↗37 cm | ↔66 cm ↓4 cm ↗37 cm |
| Article | Price | 9FE2 | 9FE3 | 9FG2 | 9FG3 |

| ACCESSORIES | | Shoe shelves | |
|--------------------------------|-------|--|--|
| <p>for all wardrobe depths</p> | | 90 | 90 |
| | | | |
| | | 2 shoe rack shelves with profiles for unit width 90cm | 3 shoe rack shelves with profiles for unit width 90cm |
| | | ↔88 cm ↓4 cm ↗37 cm | ↔88 cm ↓4 cm ↗37 cm |
| Article | Price | 9FH2 | 9FH3 |