



Front/Carcase	Colour code
Artisan oak colour	AD658



Artisan oak colour



■ You will find matching extras after the wardrobes.

Supplier: Rauch Möbelwerke GmbH

Quality features

rauch BLUE



Interior colour
Texline colour



Metal guide rails



Drawers on silent ball-bearing runners



Optional dampers for hinged and sliding doors

Top workmanship

Proven fittings technology

Easy to assemble

Practical accessories

Material information



Colour

Furniture with colour finish has an evenly attractive, hard-wearing surface.



WOODMAX chipboard

This healthy green-wood chipboard was designed specifically for use in living areas. Our Woodmax chipboard is made only from pollutant-free small-diameter logs and windfall timber from sustainably managed forestry operations in regional woods.



Load-bearing capacity

The load limits for all furniture and extras can be found in the load table at: <https://qrco.de/rauch-belastungstabelle>

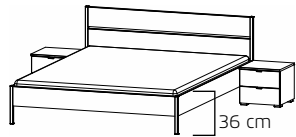
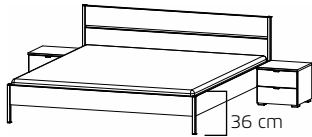
Our natural raw material

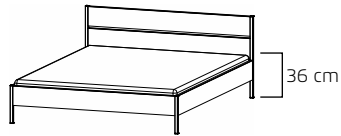
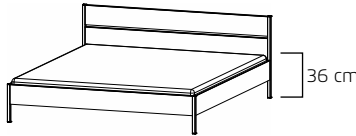
Rauch has won various awards for the material used in its boards. Strict tests by impartial institutes consistently confirm that our materials and processes are not harmful to health.


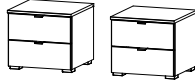


Award-winning and certified



Front/Carcase	Colour code
Artisan oak colour	AD658

BEDS		Combination consisting of bed and 2 bedside tables.	
<ul style="list-style-type: none"> • Bed side height = 36 cm • Slatted frame can be adjusted to 3 different heights • Inlet depths (Upper edge of bed side to support height): 12,2 cm 13,8 cm 15,4 cm 			
	bed combination with 2 bedside tables	bed combination with 2 bedside tables	
	160/200 ↔245 cm †77 cm ↗206 cm BG 60	180/200 ↔265 cm †77 cm ↗206 cm BG 80	
	Article	Price	07F6

BEDS			
<ul style="list-style-type: none"> • Bed side height = 36 cm • Slatted frame can be adjusted to 3 different heights • Inlet depths (Upper edge of bed side to support height): 12,2 cm 13,8 cm 15,4 cm 			
	bed	bed	
	160/200 ↔165 cm †77 cm ↗207 cm BG 60	180/200 ↔185 cm †77 cm ↗207 cm BG 80	
	Article	Price	71M7

MATCHING PIECES							
							
	bedside table 2 drawers ↔40 cm †36 cm ↗40 cm	bedside tables, pair 2 drawers ↔40 cm †36 cm ↗40 cm	chest 1-door, hinged right, 4 drawers ↔80 cm †68 cm ↗40 cm	chest 5 drawers ↔80 cm †68 cm ↗40 cm			
Article	Price	61F5	61F6	61F7	61F8		

Front/Carcase	Colour code
Artisan oak colour	AD658







WARDROBES			Sliding door wardrobes					
You will find matching extras after the wardrobes.								
	87,5/87,5		109/109		87,5/87,5		109/109	
	sliding door wardrobe		sliding door wardrobe		sliding door wardrobe		sliding door wardrobe	
	2-door		2-door		2-door, 1 mirror door, part mirror front		2-door, 1 mirror door, part mirror front	
↔175 cm ↓210 cm ↗59 cm		↔218 cm ↓210 cm ↗59 cm		↔175 cm ↓210 cm ↗59 cm		↔218 cm ↓210 cm ↗59 cm		
Article		Price	4210	4211	503C	503E		


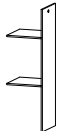
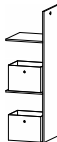
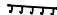

WARDROBES			Sliding door wardrobes with drawers					
You will find matching extras after the wardrobes.								
	87,5/87,5		109/109		87,5/87,5		109/109	
	sliding door wardrobe		sliding door wardrobe		sliding door wardrobe		sliding door wardrobe	
	2-door, 2 drawers		2-door, 2 drawers		2-door, 1 mirror door, 2 drawers		2-door, 1 mirror door, 2 drawers	
↔175 cm ↓210 cm ↗59 cm		↔218 cm ↓210 cm ↗59 cm		↔175 cm ↓210 cm ↗59 cm		↔218 cm ↓210 cm ↗59 cm		
Article		Price	4363	4364	50C1	50C2		

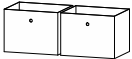
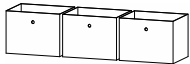
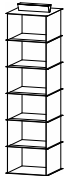
WARDROBES							
Article		Price					

Extras for sliding door robes

Colour	Colour code
Texline (natural-colour linen look)	A0039

ELEMENT WIDTH ▶		65	87	109	65	87	109
Design constraints necessitate a shelf thickness of 2.2 cm on unit widths of 109 cm.							
		Shelf	Shelf	Shelf	hanging rail	hanging rail	hanging rail
		for unit width 66cm	for unit width 87 cm	for unit width 109 cm	for unit width 66cm	for unit width 87 cm	for unit width 109 cm
		↔63 cm ↓1,6 cm ↗45 cm	↔85 cm ↓1,6 cm ↗45 cm	↔107 cm ↓2,2 cm ↗45 cm	↔63 cm ↓3 cm ↗2 cm	↔84 cm ↓3 cm ↗2 cm	↔106 cm ↓3 cm ↗2 cm
1 pieces	Price	94W1	97W1	98W1	97K1	9724	9762
Set of 2		97W0	97W2	98W2	---	---	---
Set of 3		94W3	97W3	98W3	---	---	---
Set of 5		94W5	97W5	---	---	---	---

GENERAL		Drawer unit and interior division match all unit widths.				
						
		interior drawer	wardrobe interior division	Interior division	hooks	set of 2 dampers for sliding wardrobes
		with 2 drawers	with 2 shelves for unit width 90cm	with 2 shelves for unit width 90cm, 2 Fabric boxes		Cushions the door stop on the outer panels of the wardrobe.
		↔58 cm ↓39 cm ↗45 cm	↔45 cm ↓147 cm ↗45 cm	↔45 cm ↓147 cm ↗45 cm	↔35 cm ↓5 cm ↗5 cm	
Article	Price	9846	9934	035W	9HL1	9TDD

GENERAL				
				
		fabric box	fabric box	hanging fabric box
		set of 2 grey	set of 3 grey	fabric for clothes rail
		2x ↔38 cm ↓29 cm ↗29 cm	3x ↔38 cm ↓29 cm ↗29 cm	↔30 cm ↓115 cm ↗30 cm
Article	Price	93G2	93G3	7526

Article		Price		

Article		Price		

Article		Price		