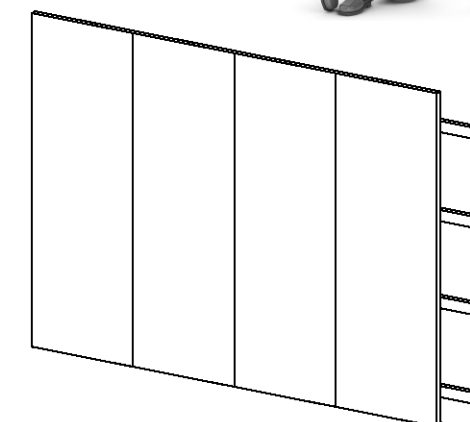
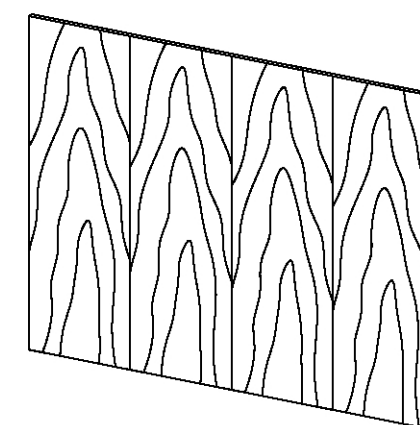
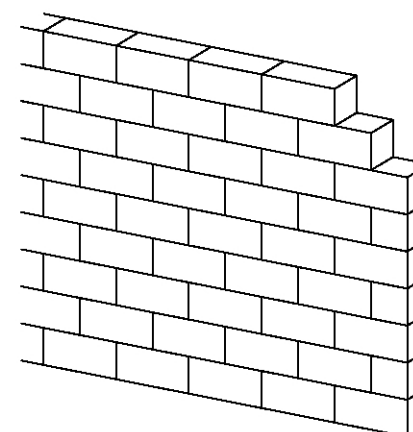
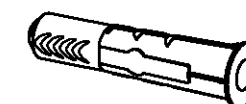
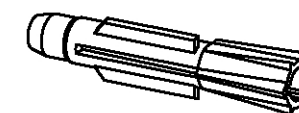
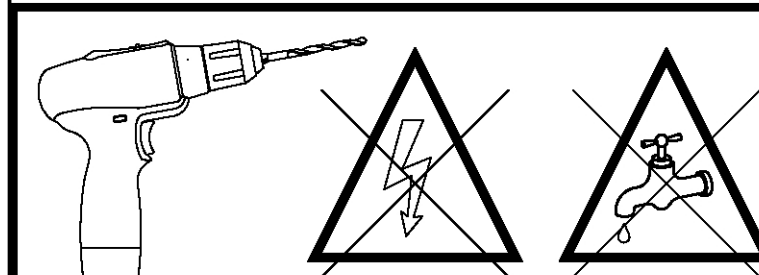
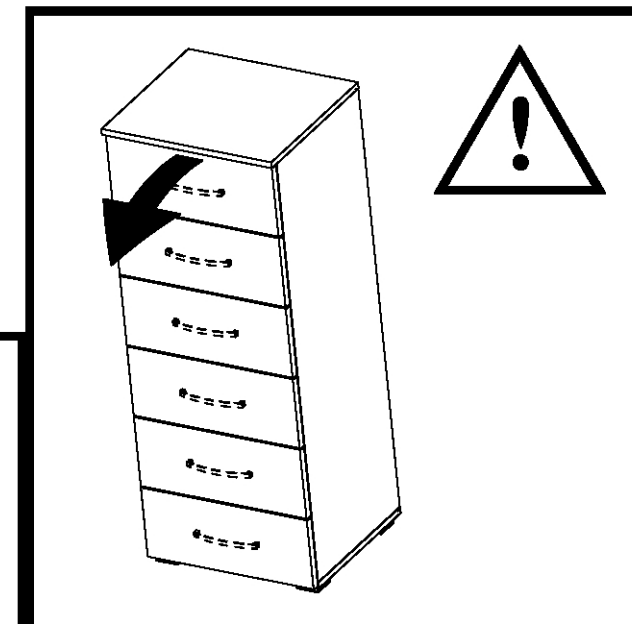
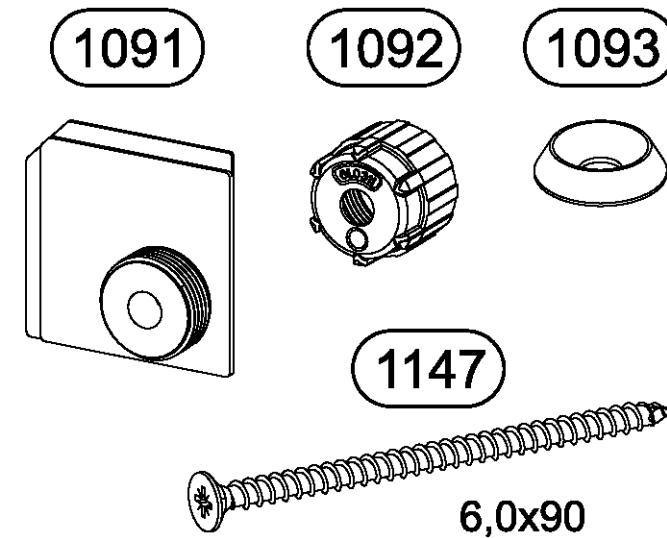
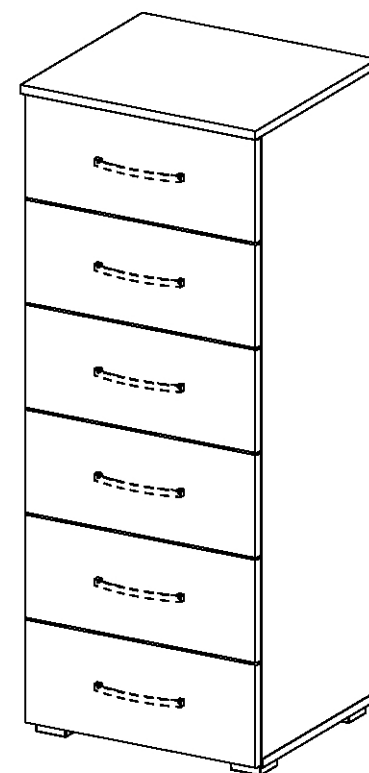
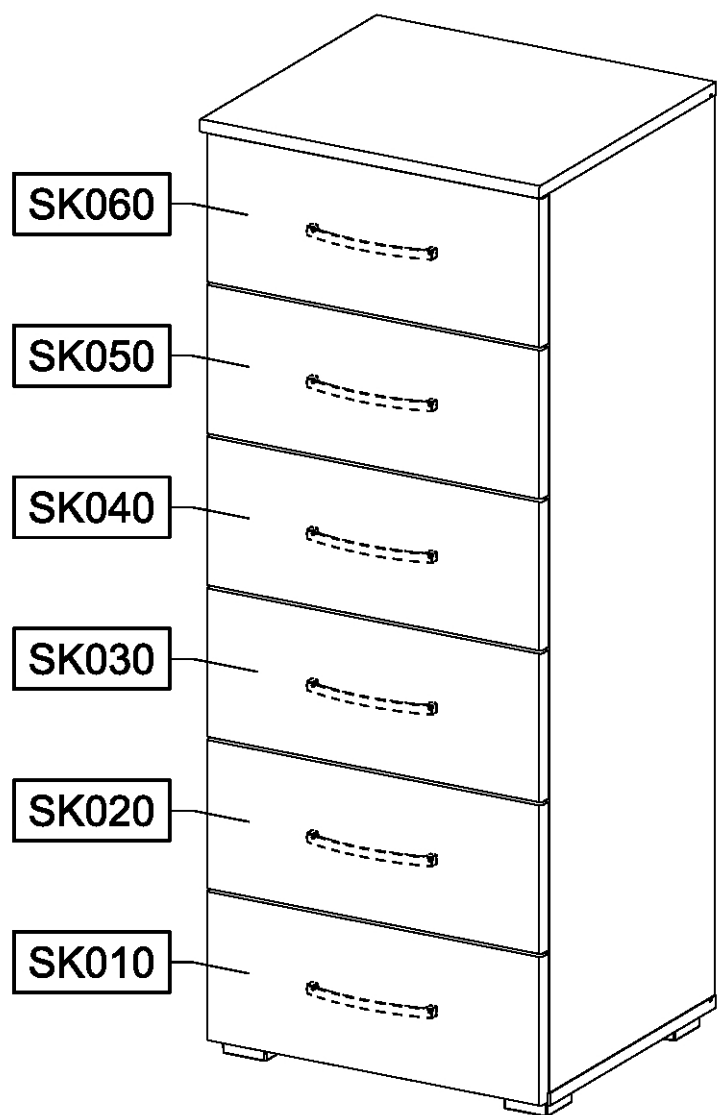
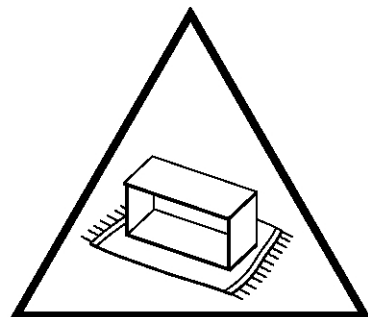
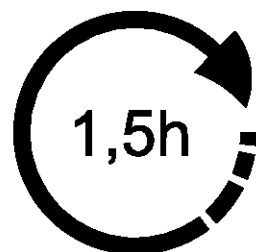
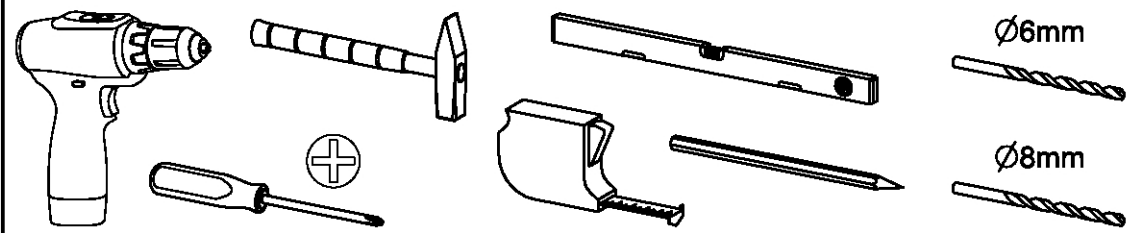
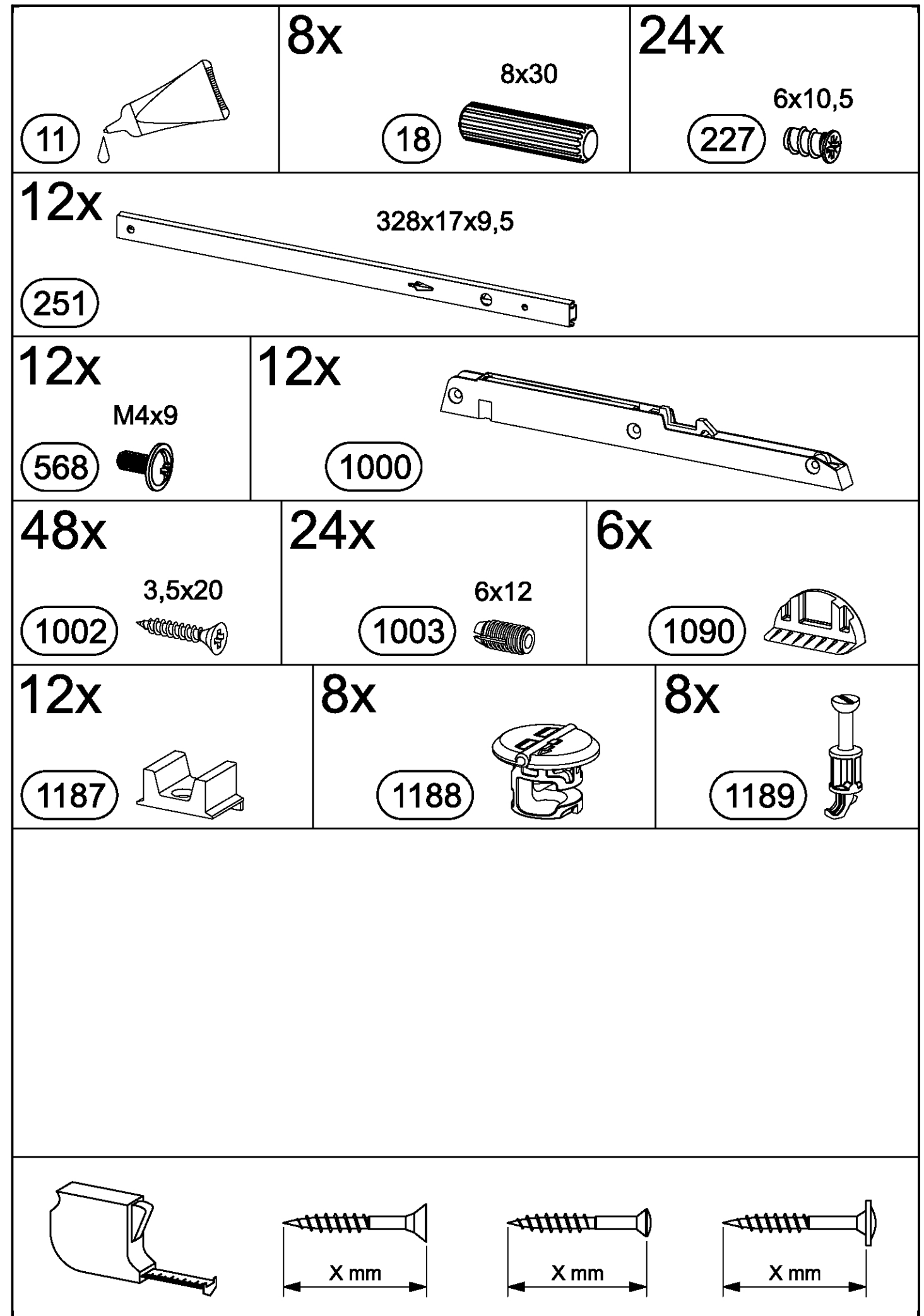
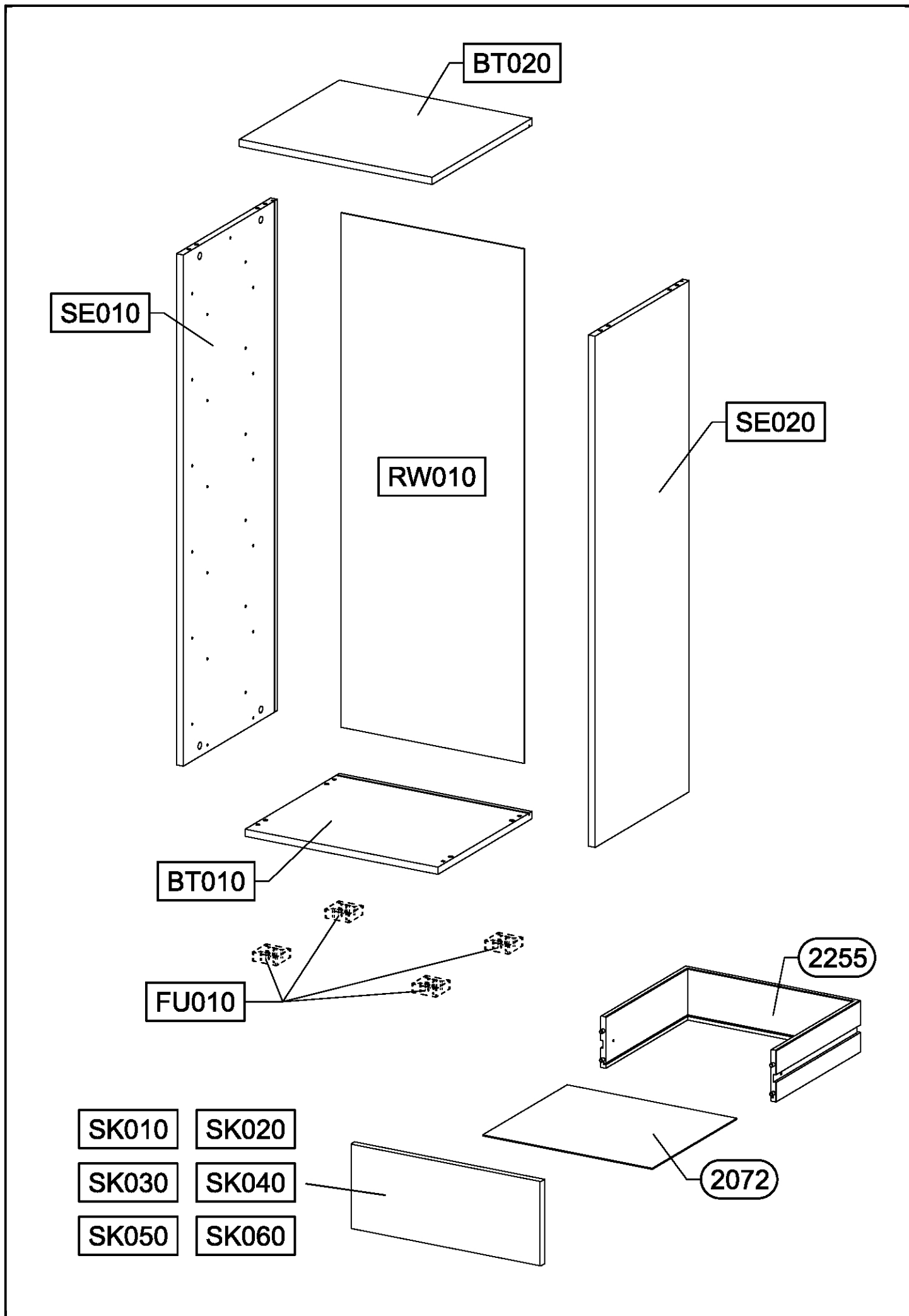
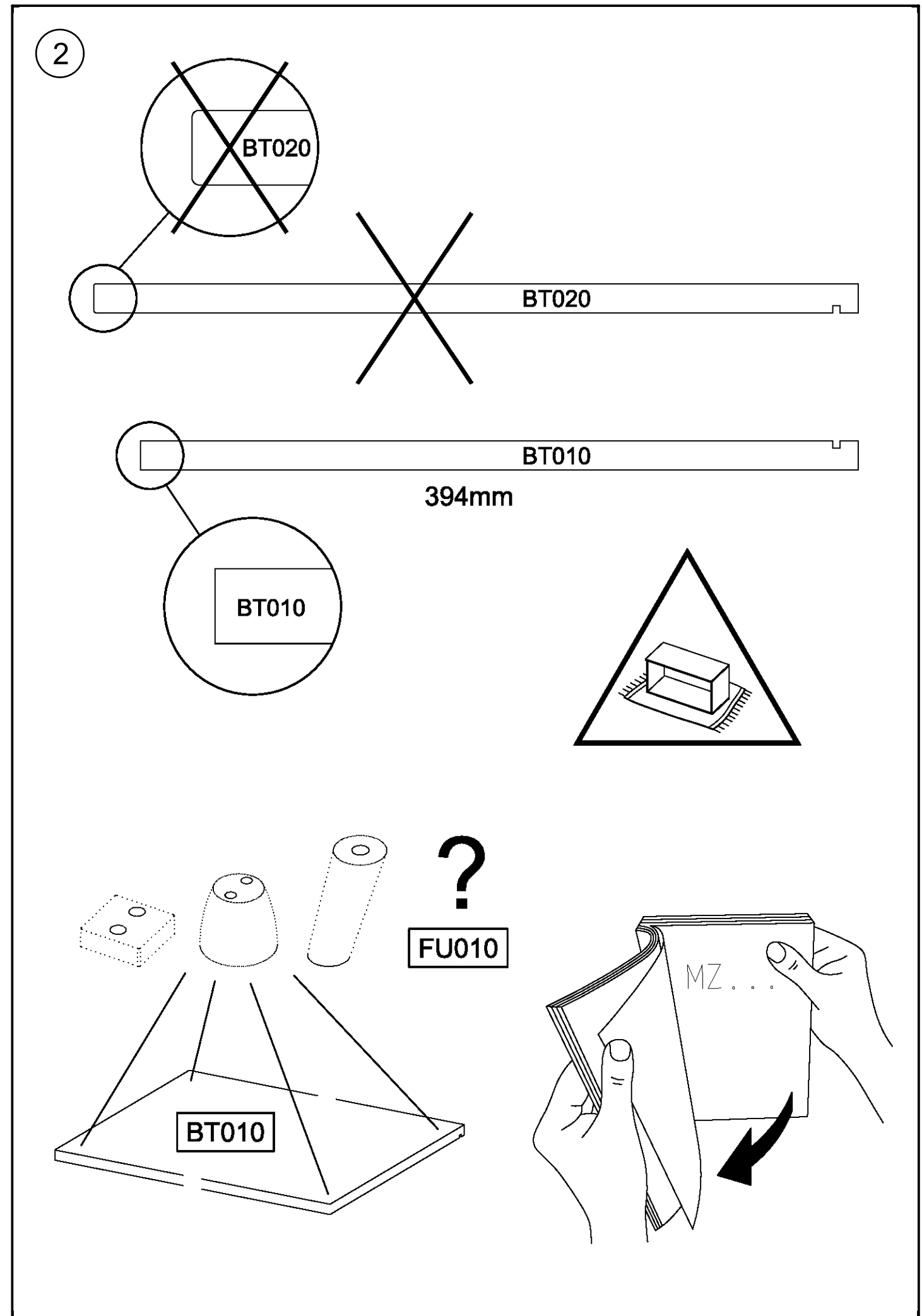
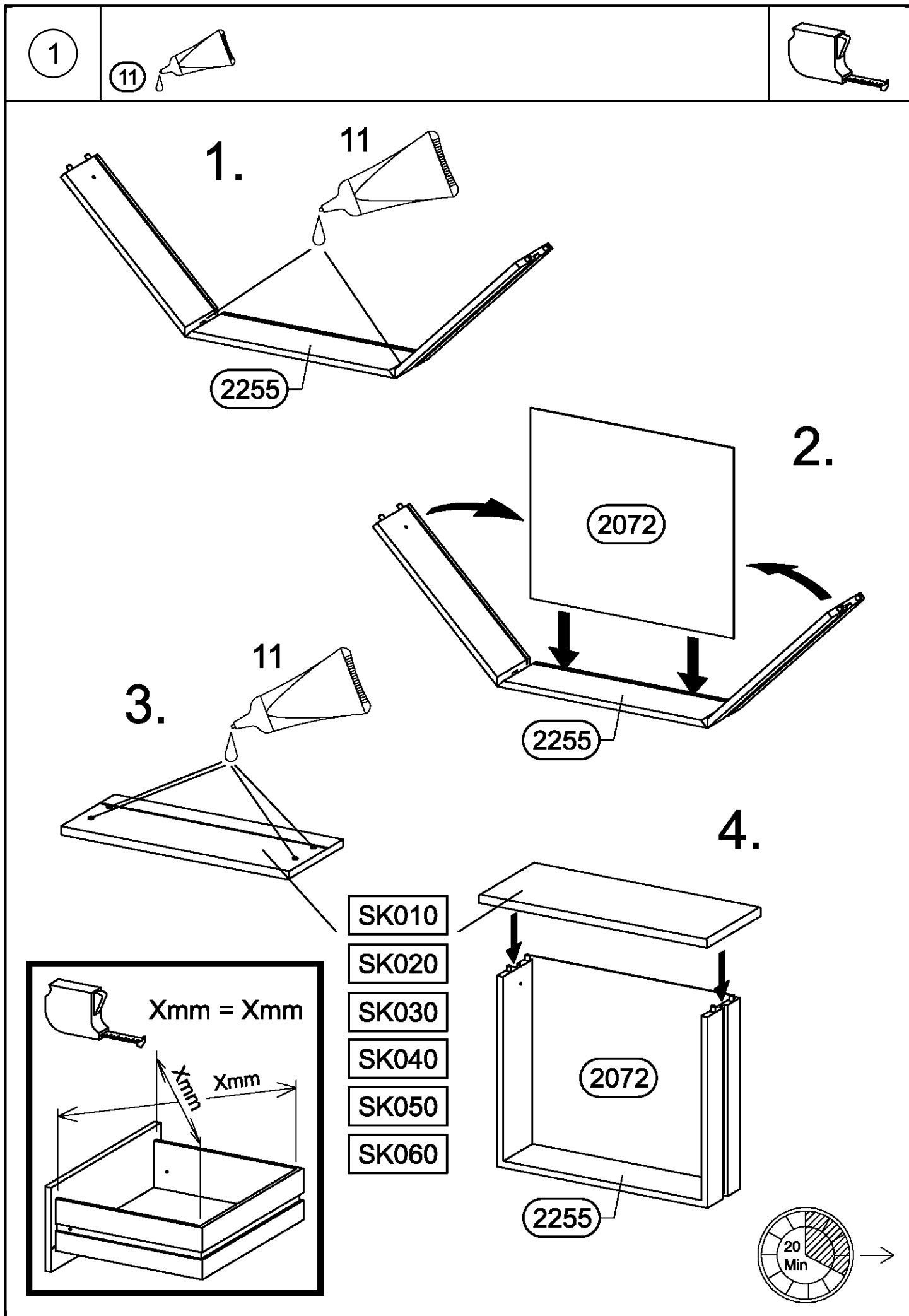


M2616_01

rauch

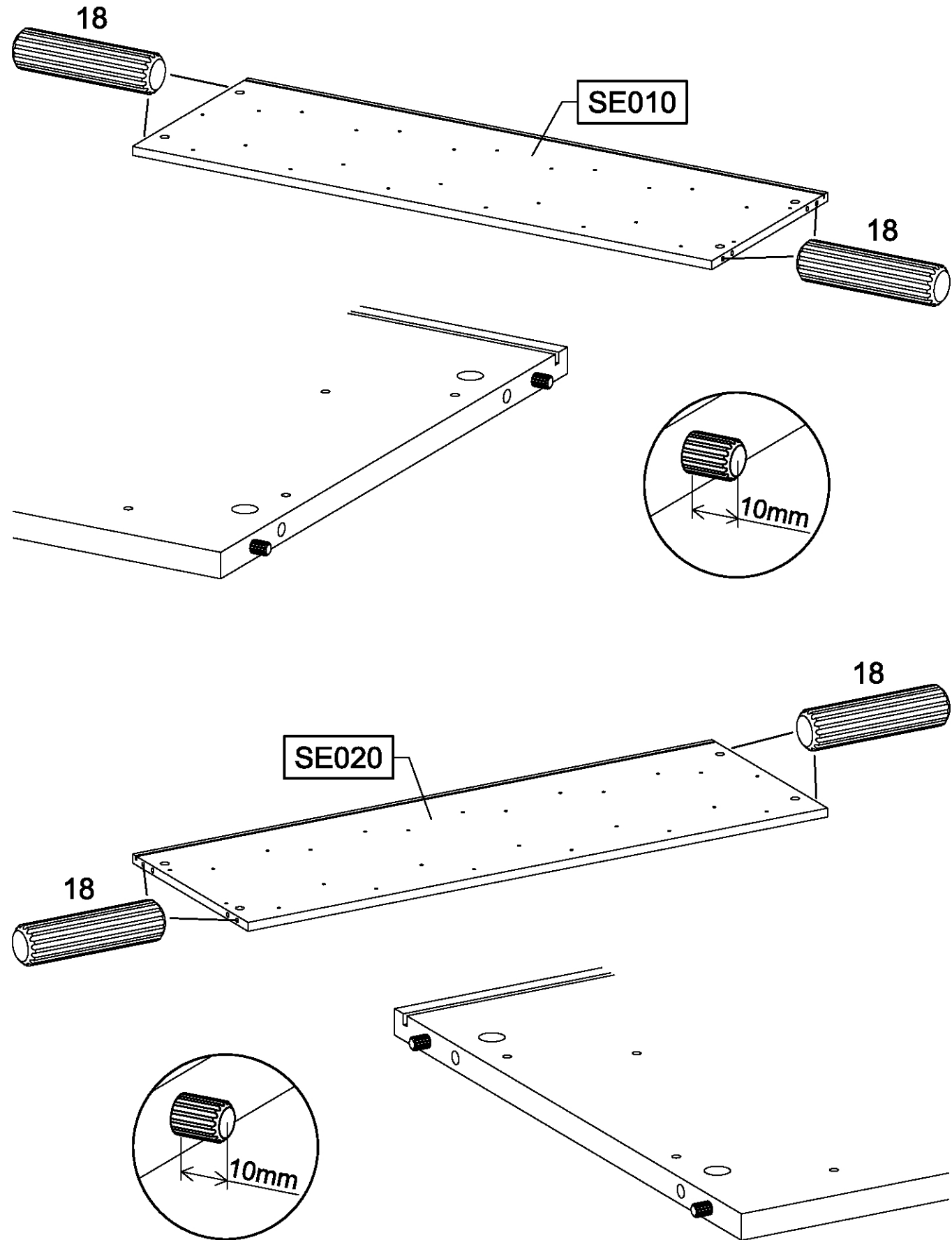
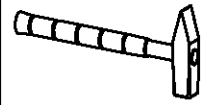






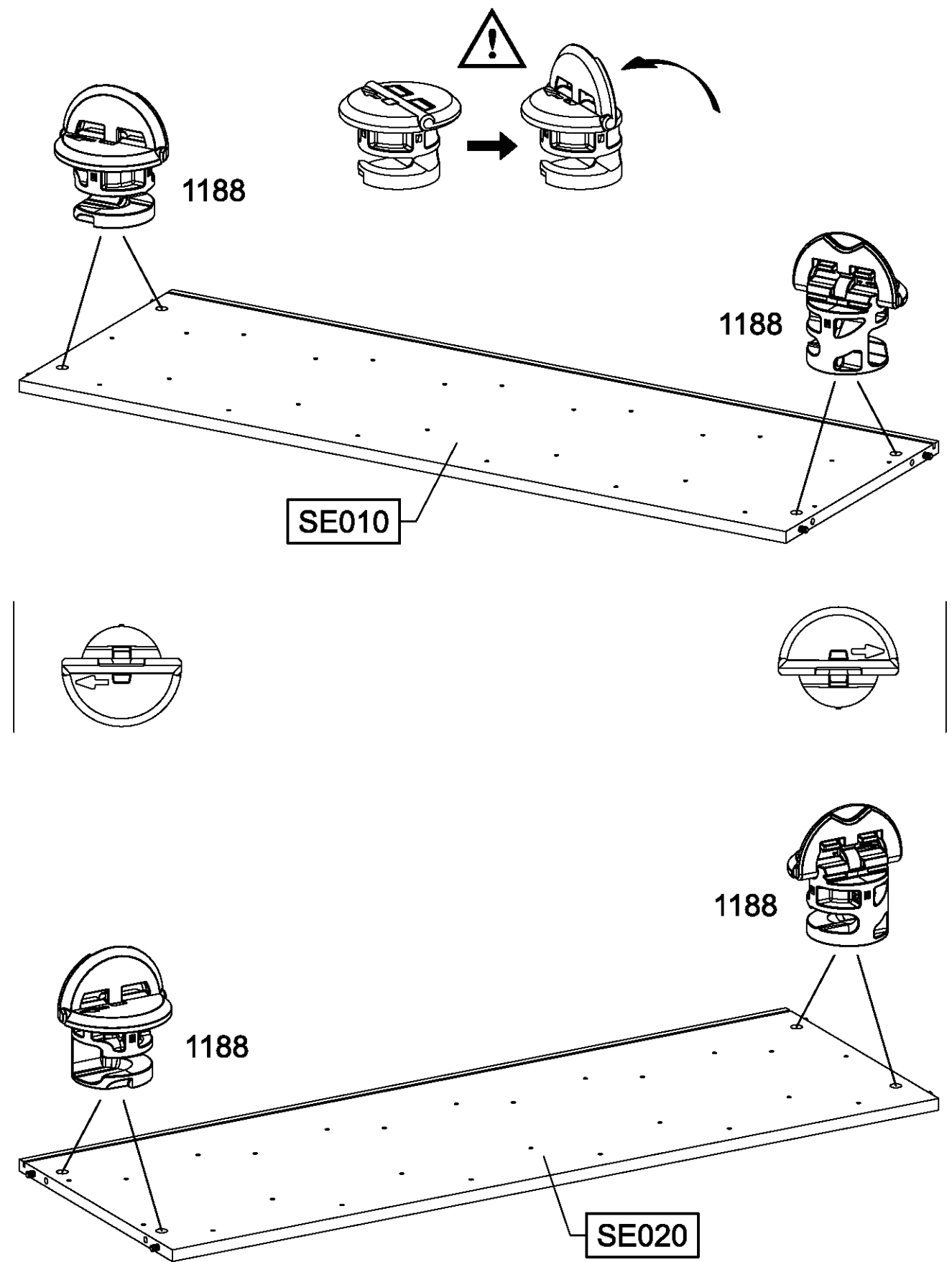
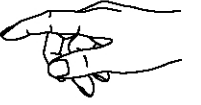
3

8x 18 8x30



4

8x 1188

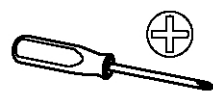
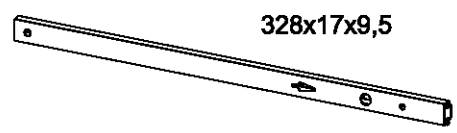


5

12x

6x10,5
227

6x
251

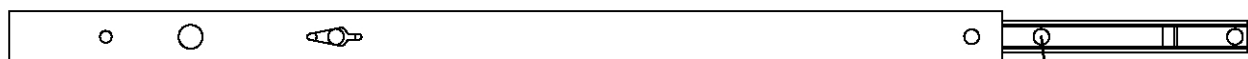


251



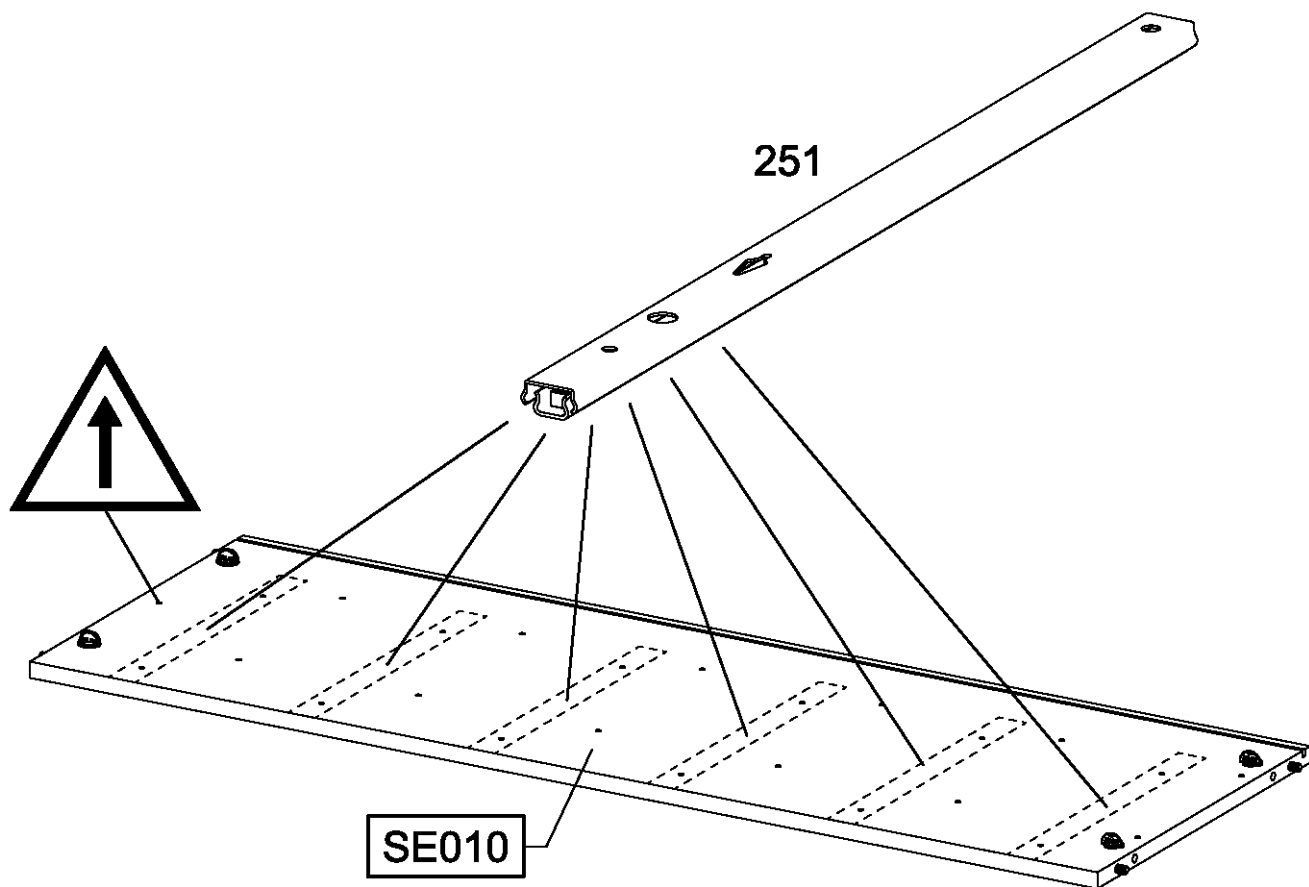
1. 227

251



2. 227

251

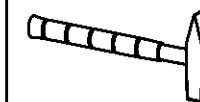


SE010

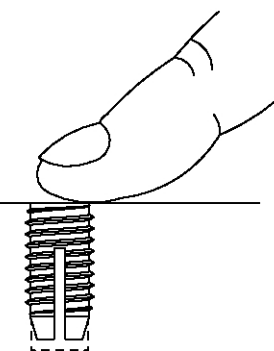
6

12x

6x12
1003



SE010

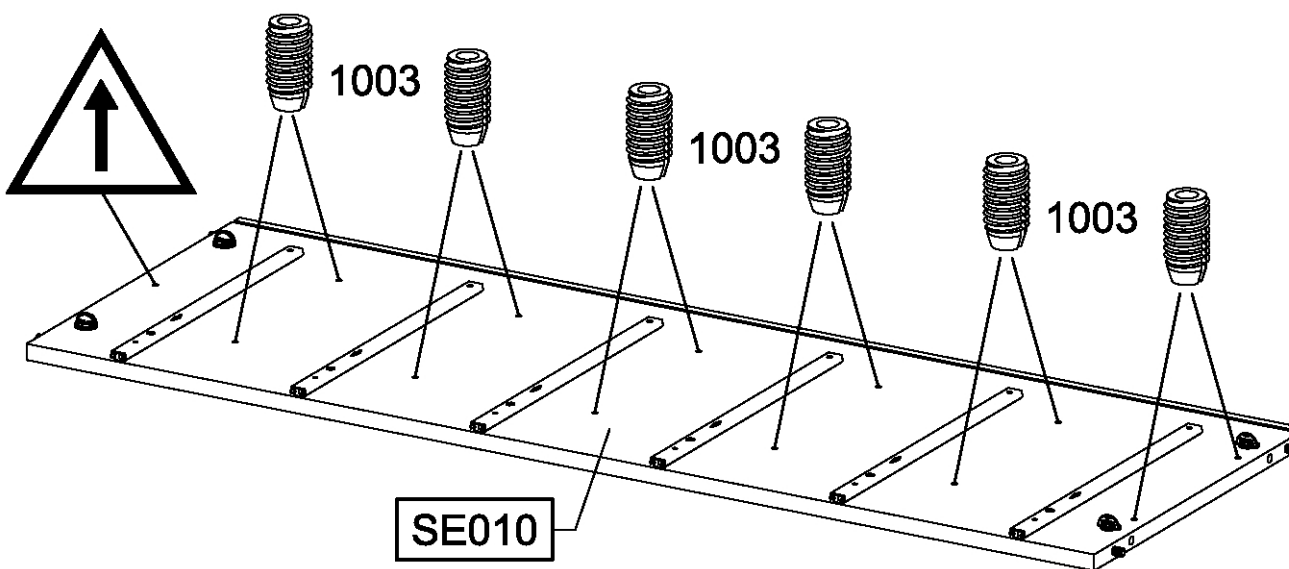


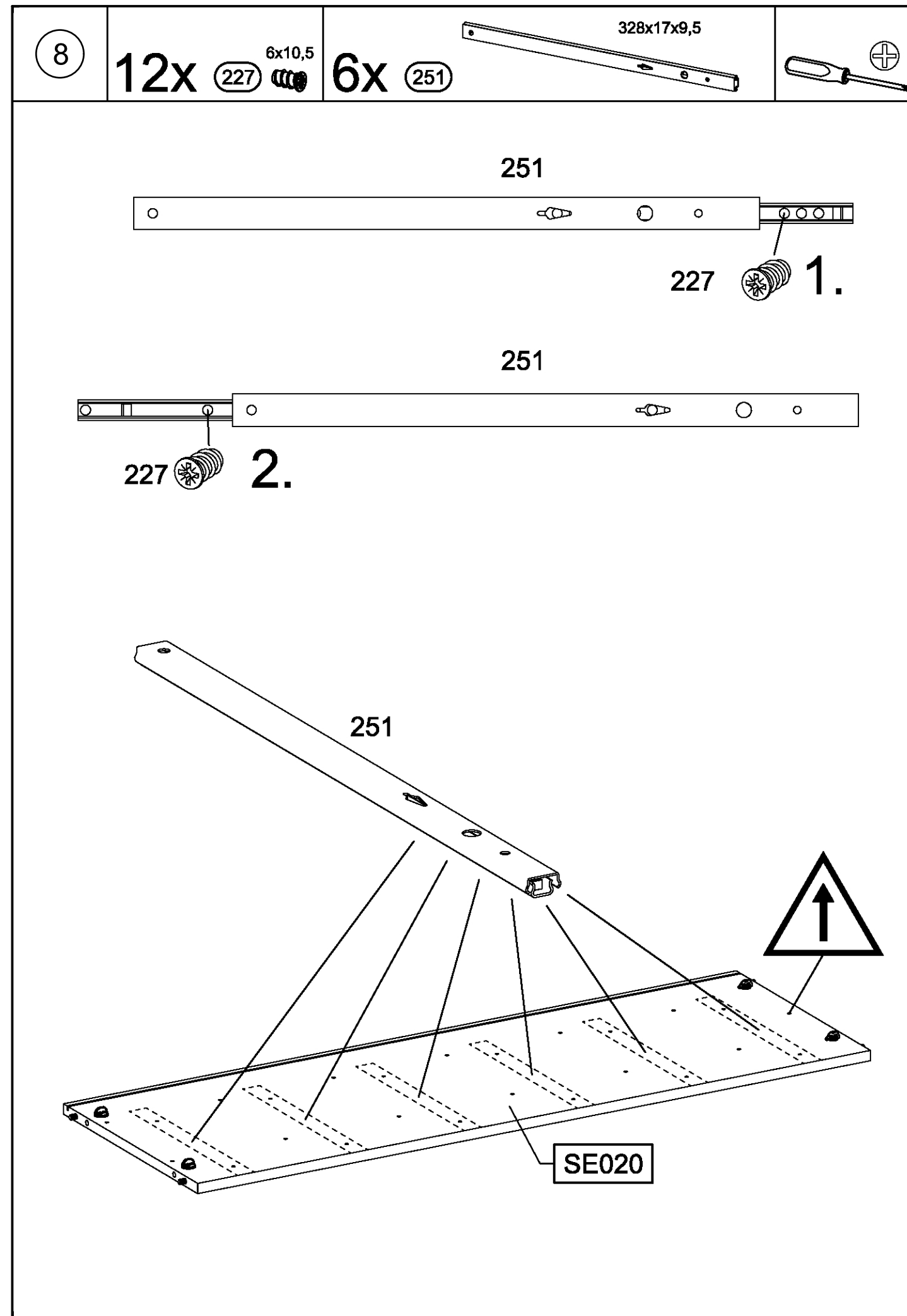
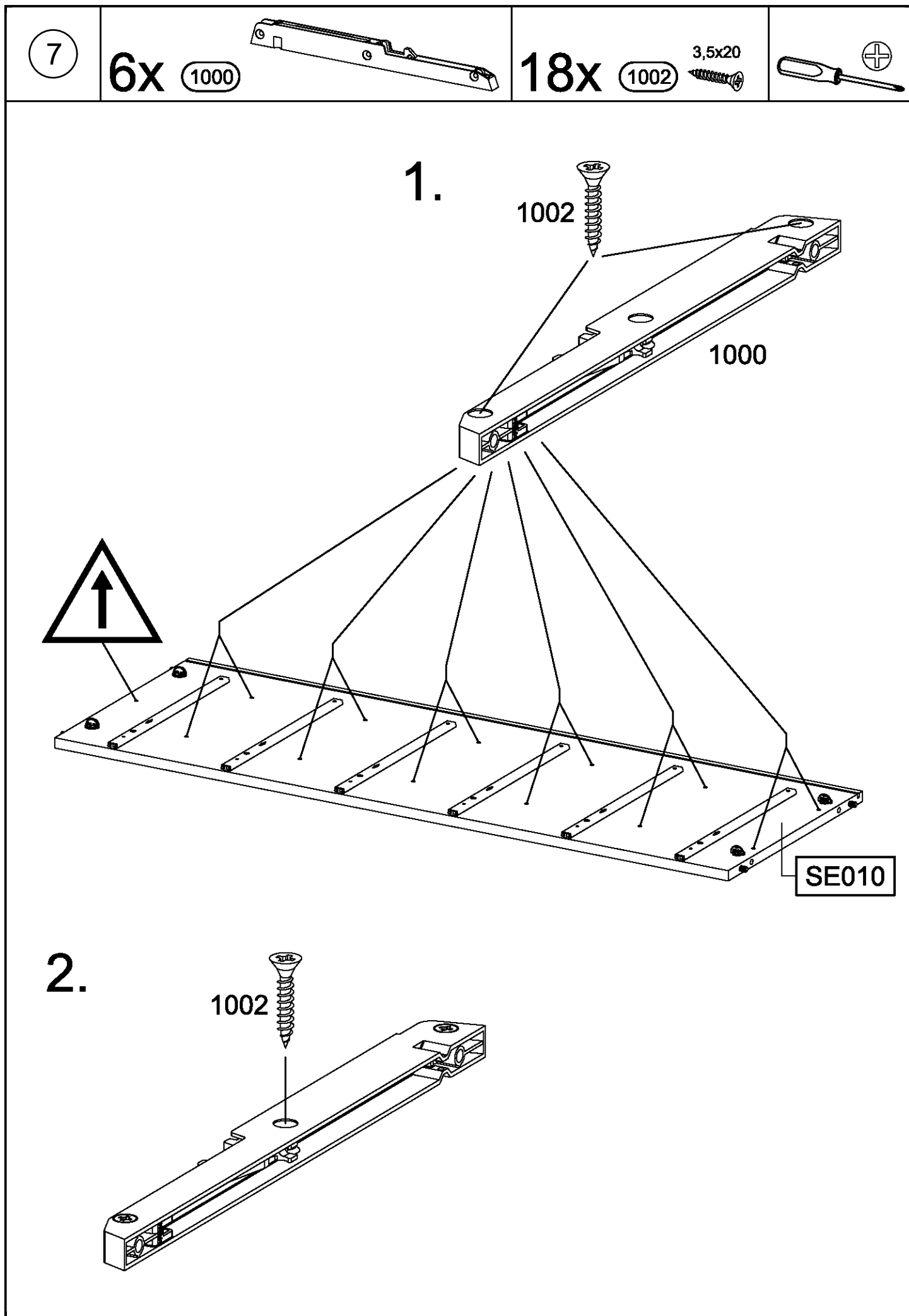
1003

1003

1003

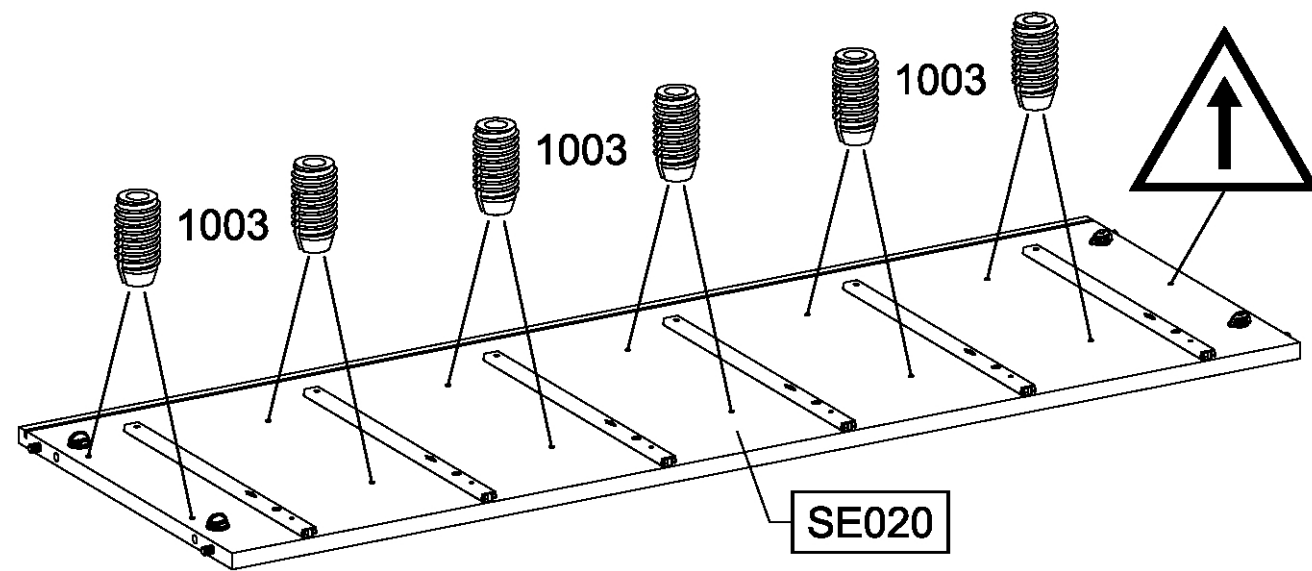
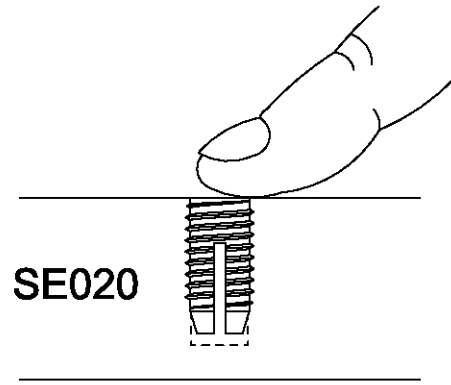
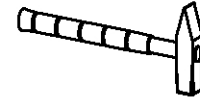
SE010





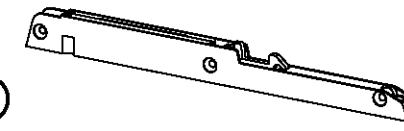
9

12x 1003 6x12

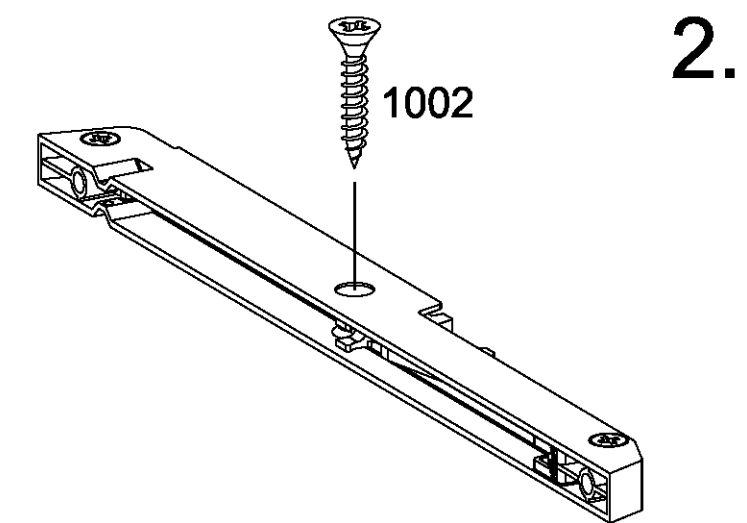
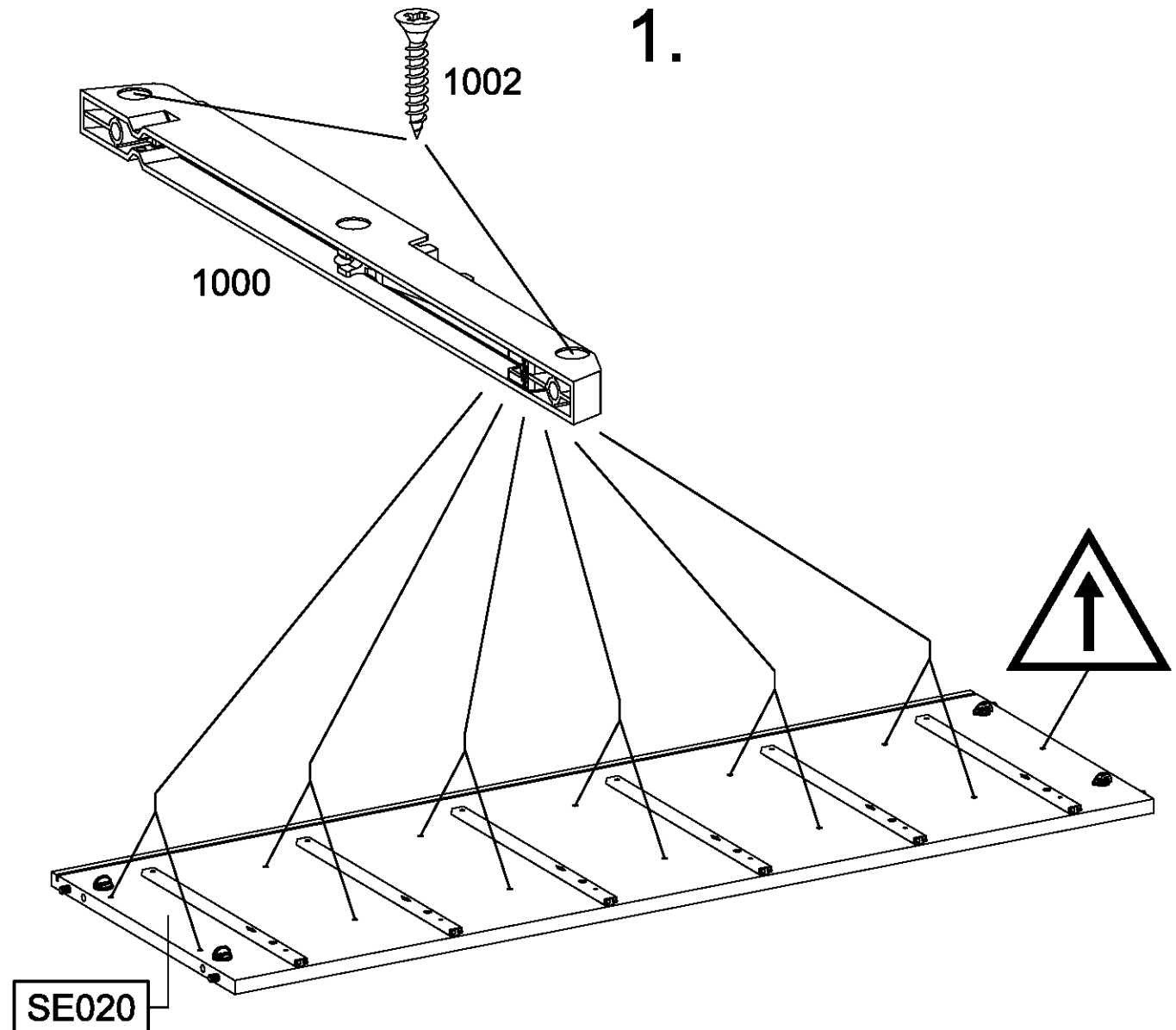
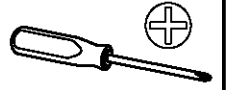


10

6x 1000

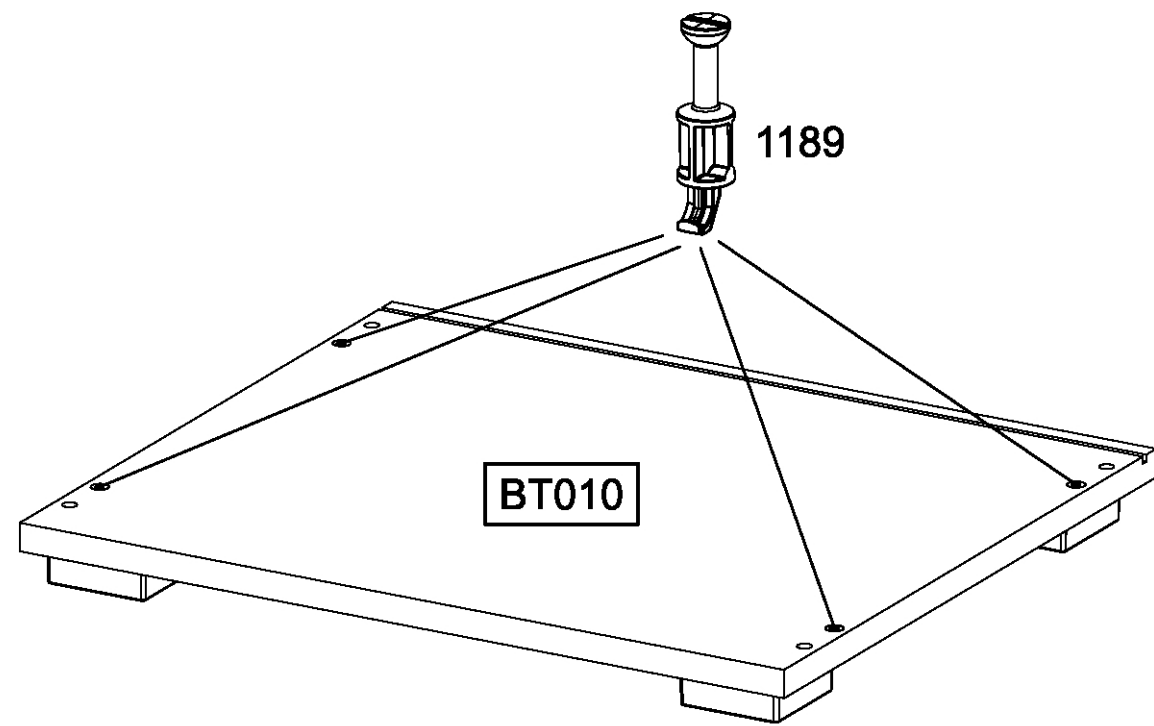


18x 1002 3,5x20



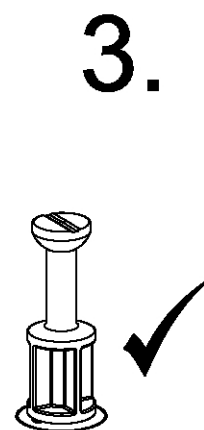
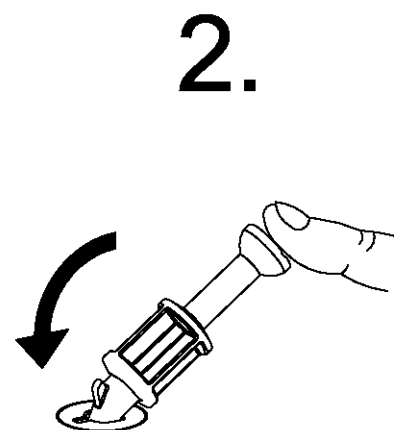
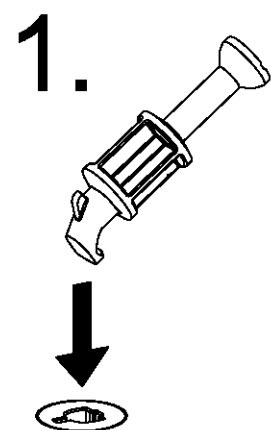
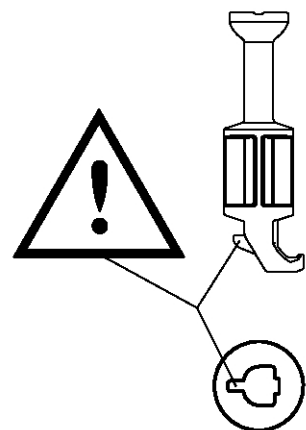
11

4x 1189



BT010

1189



12

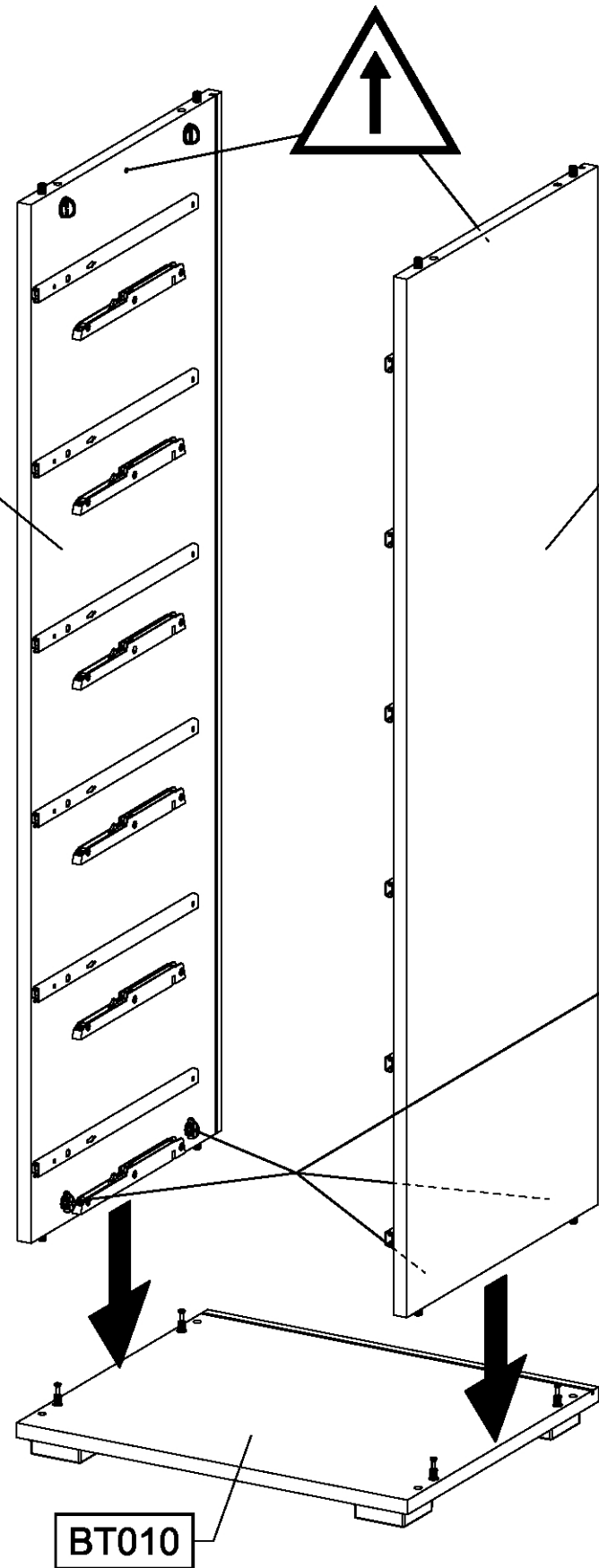


SE010

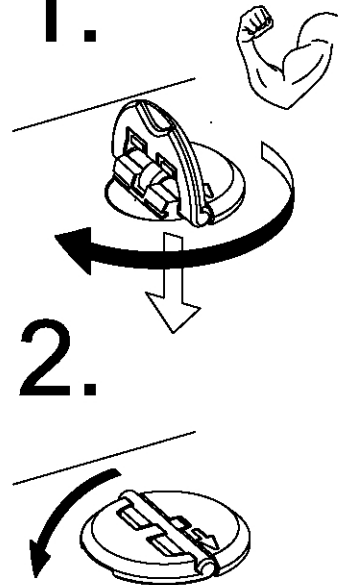
SE020

1.

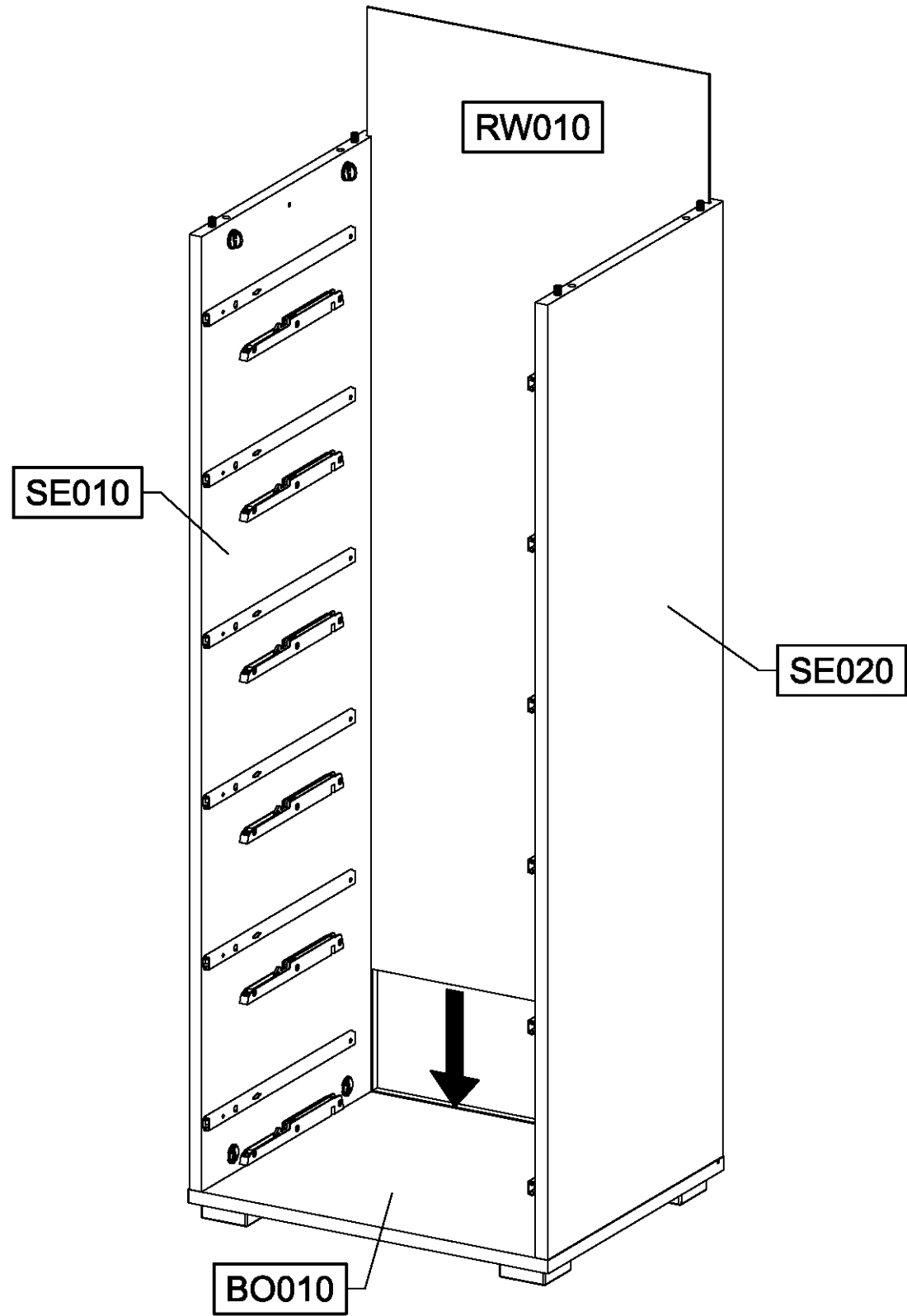
2.



BT010

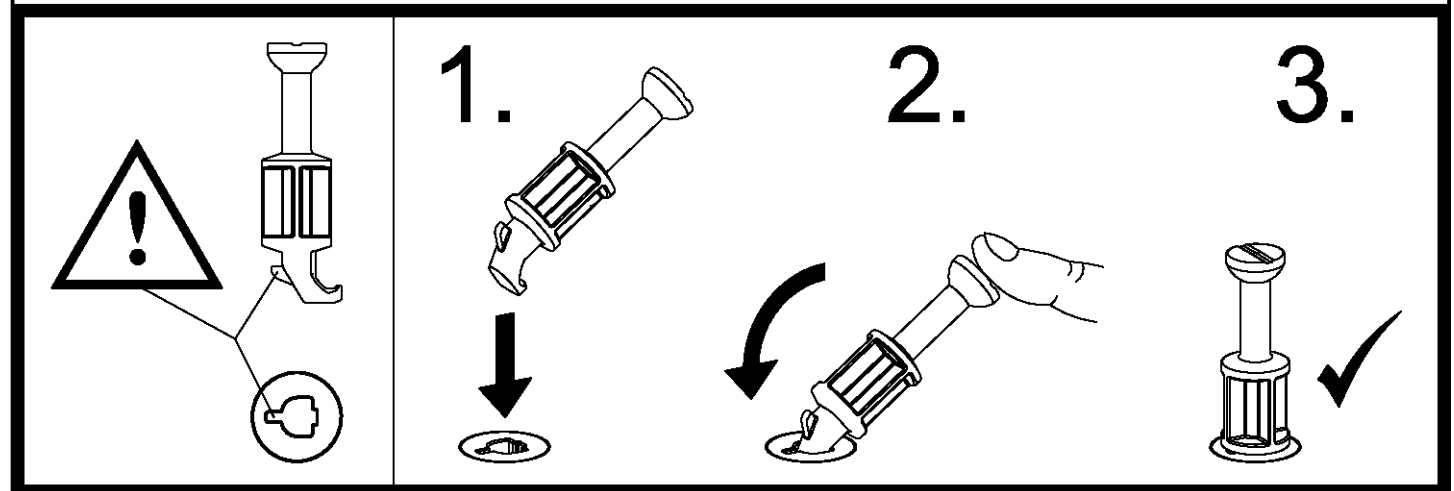
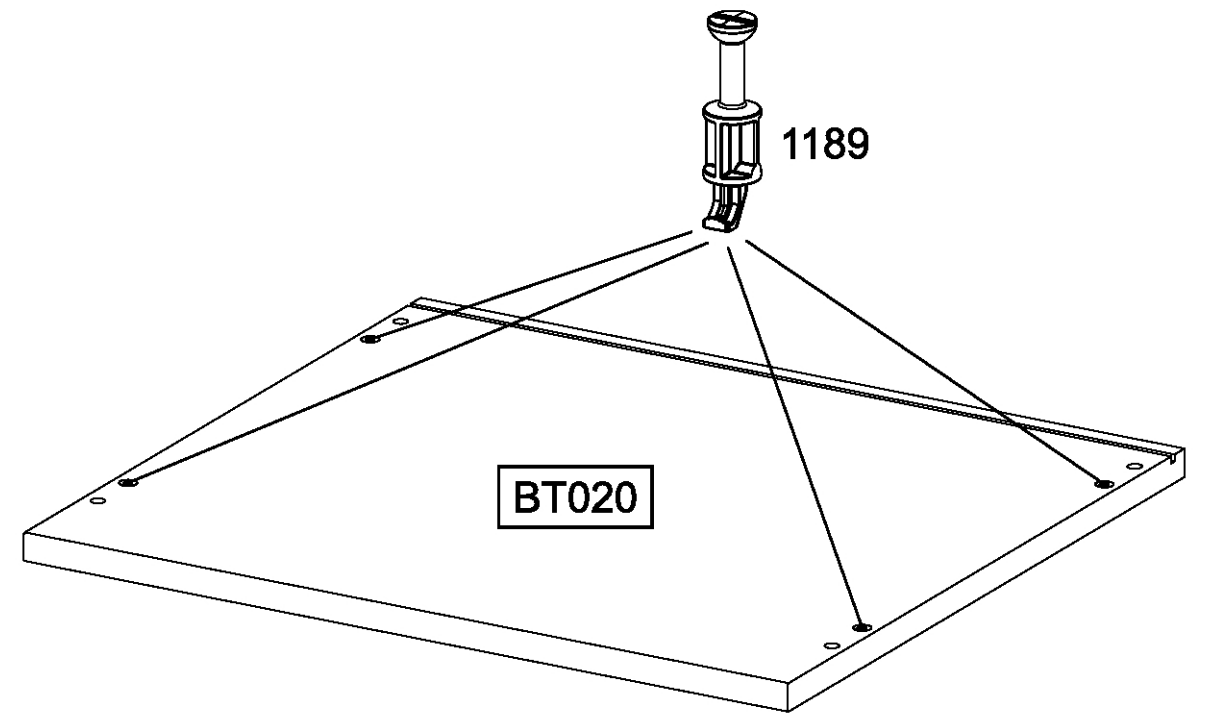
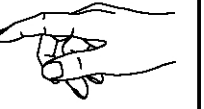


13

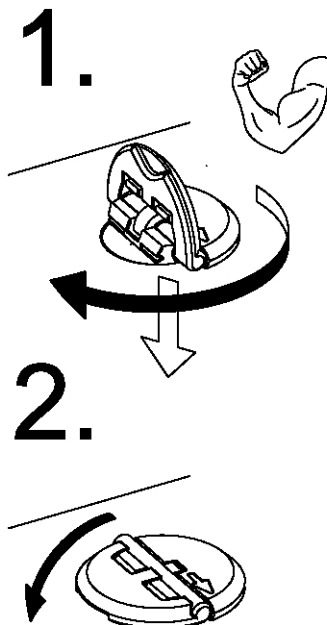
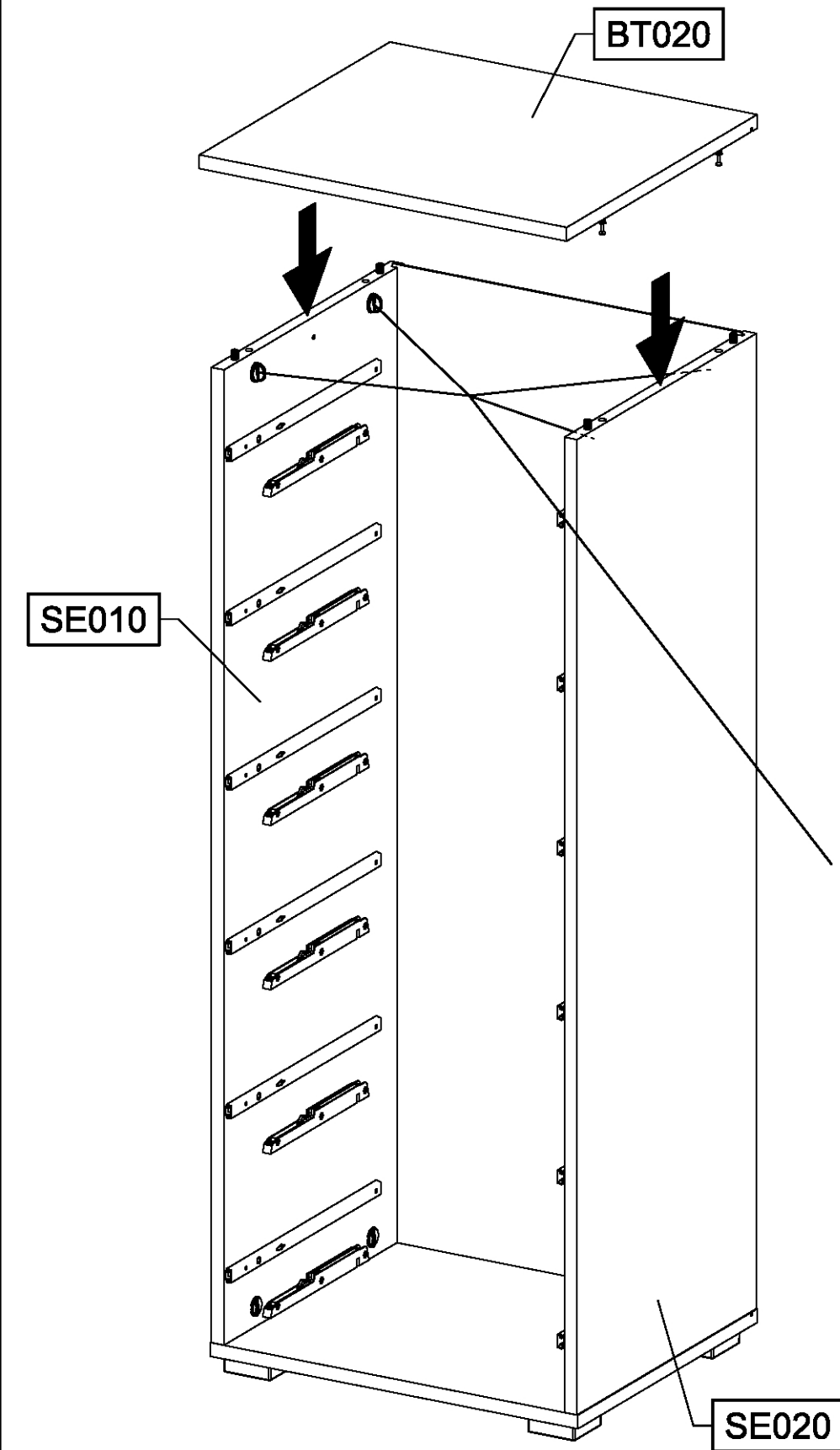


14

4x 1189

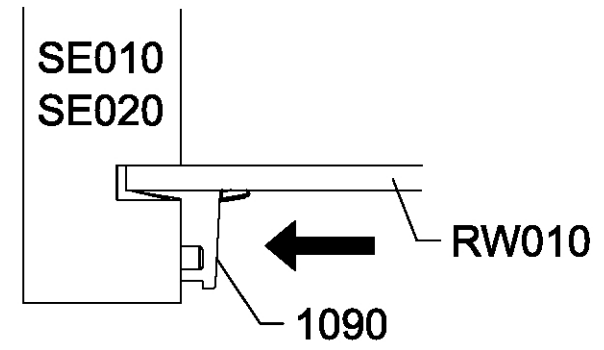
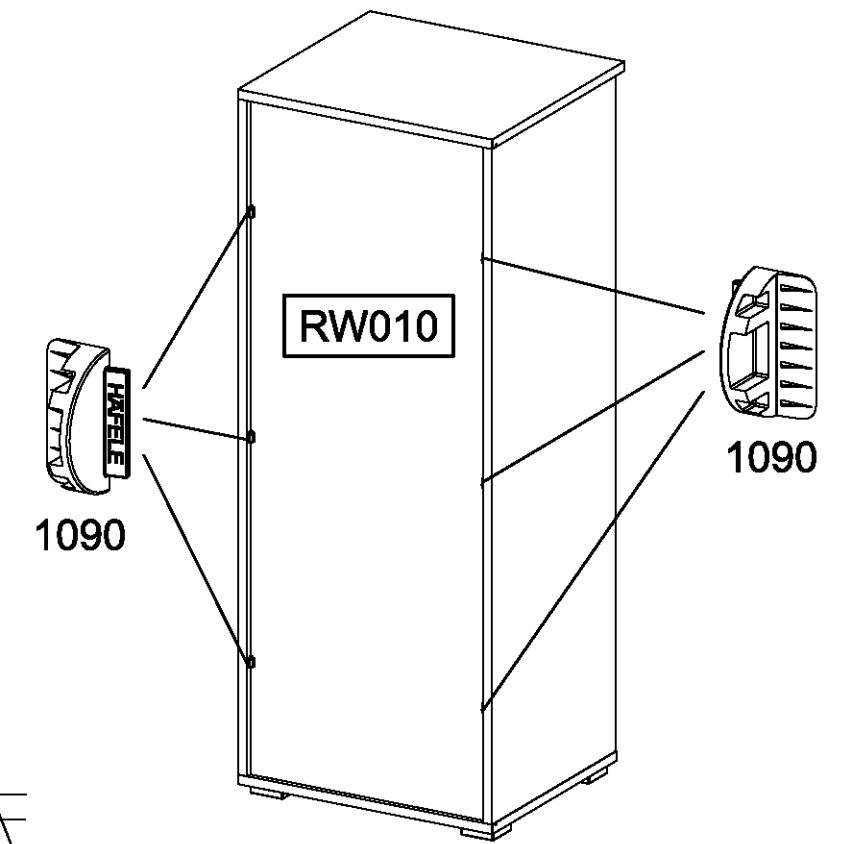
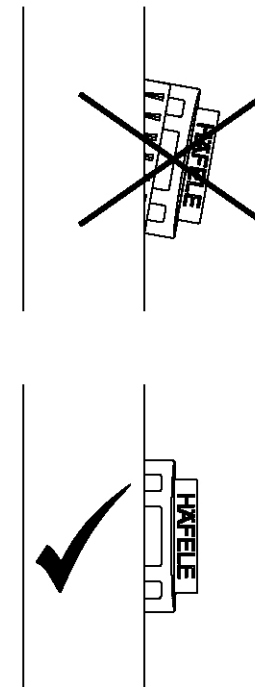
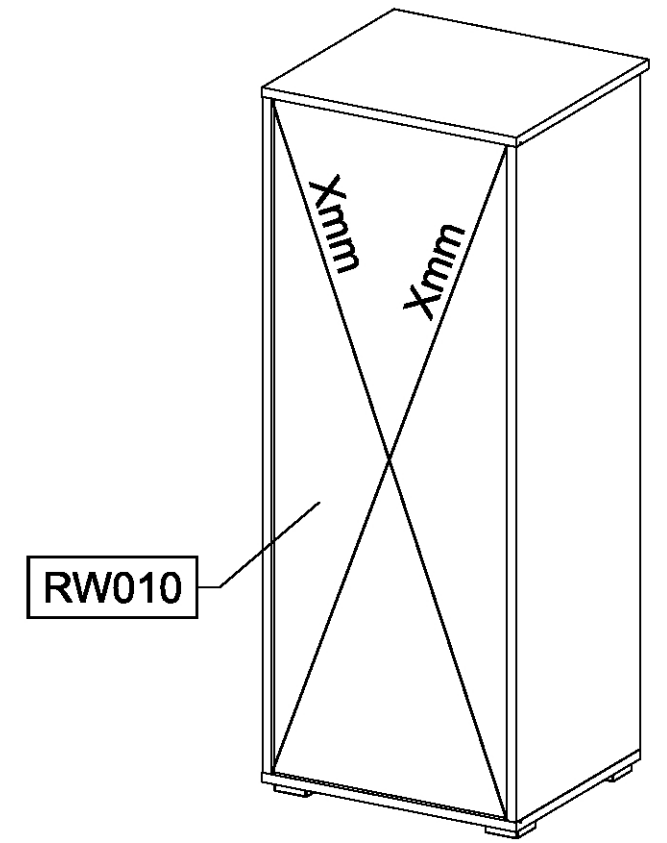
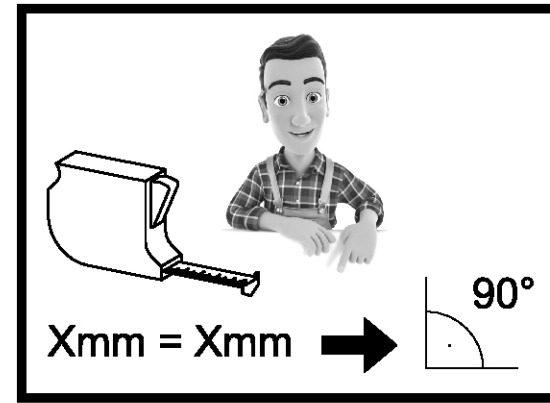
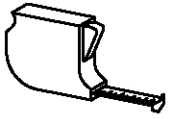


15



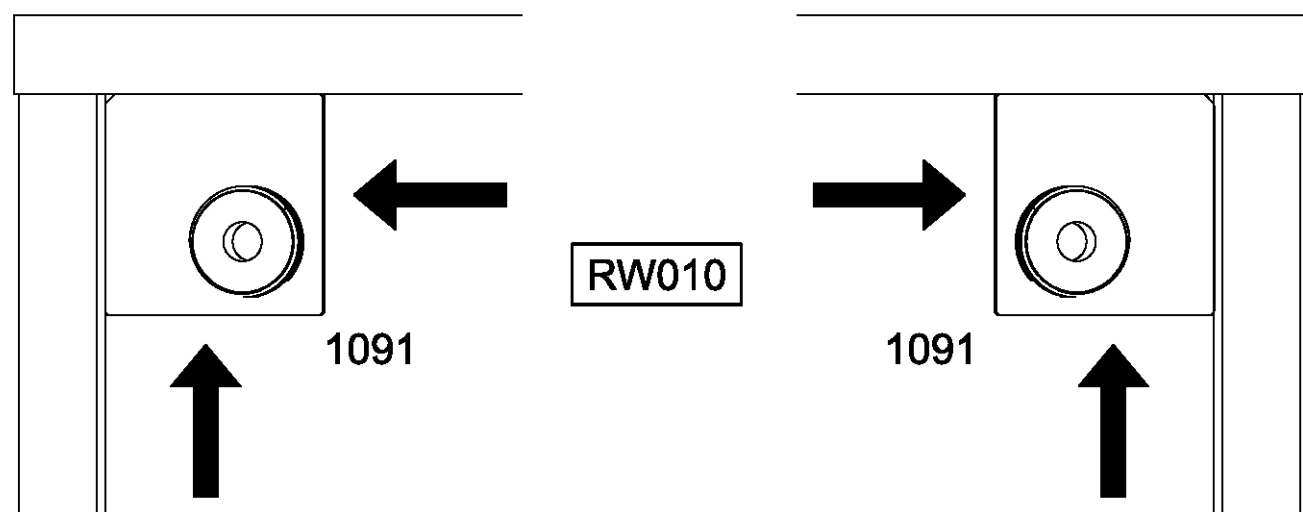
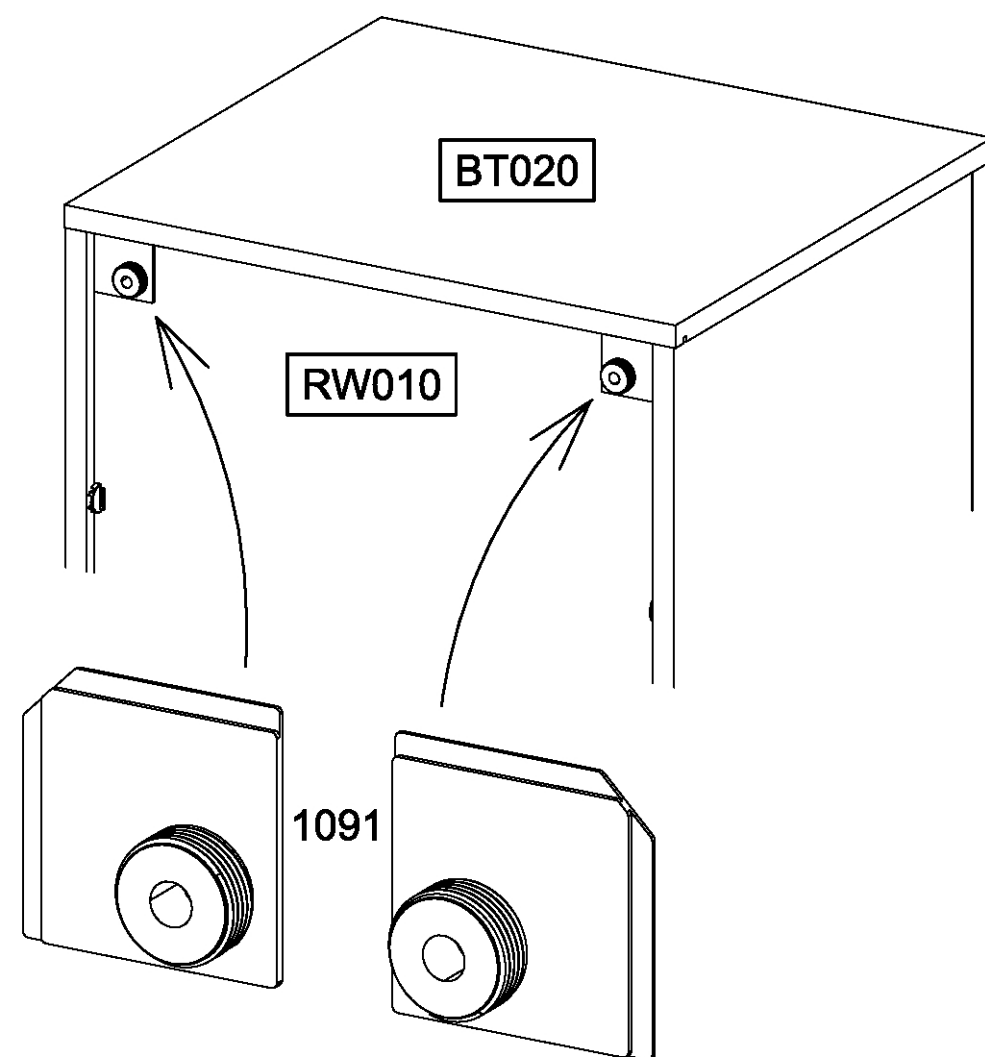
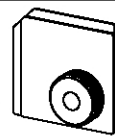
16

6x 1090

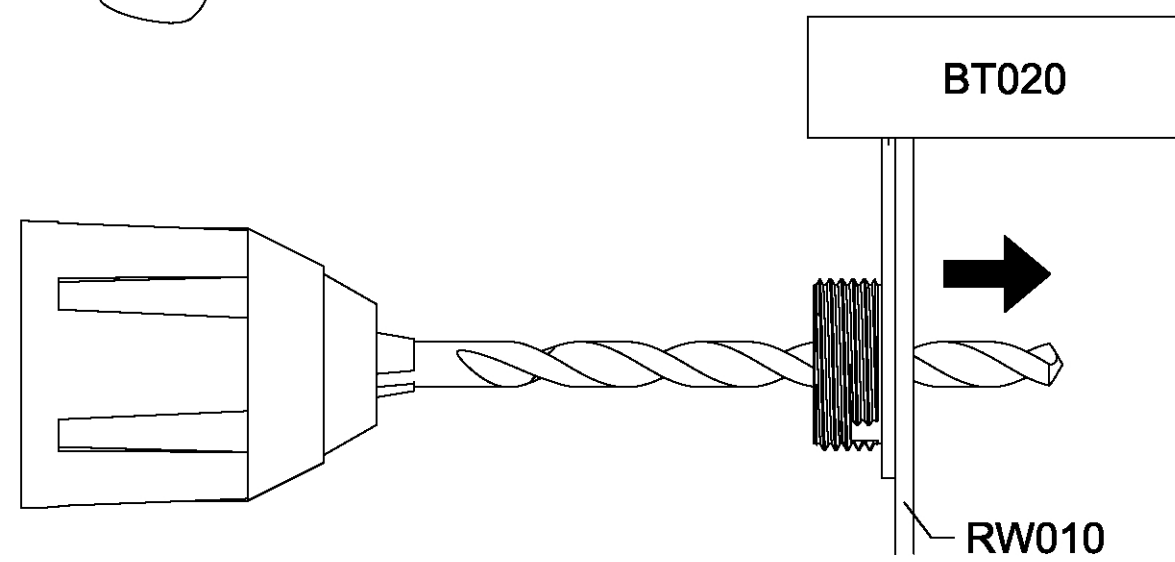
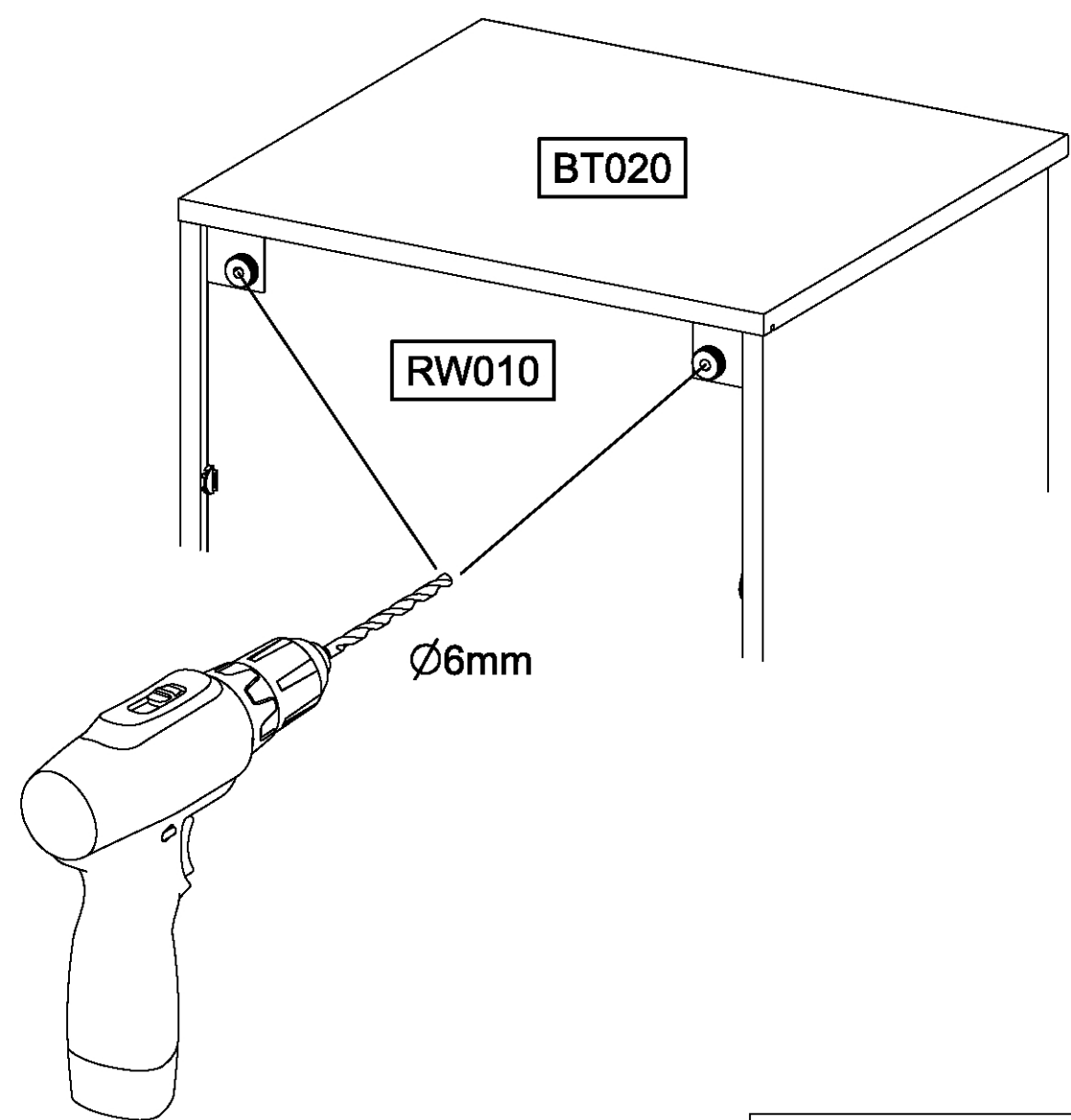
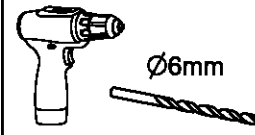


17

2x 1091



18



19

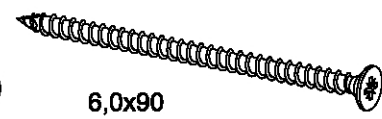


20

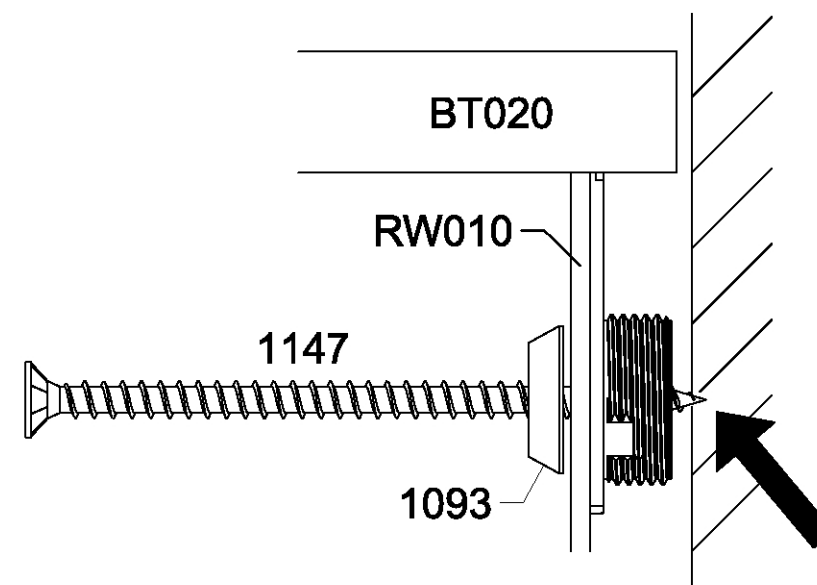
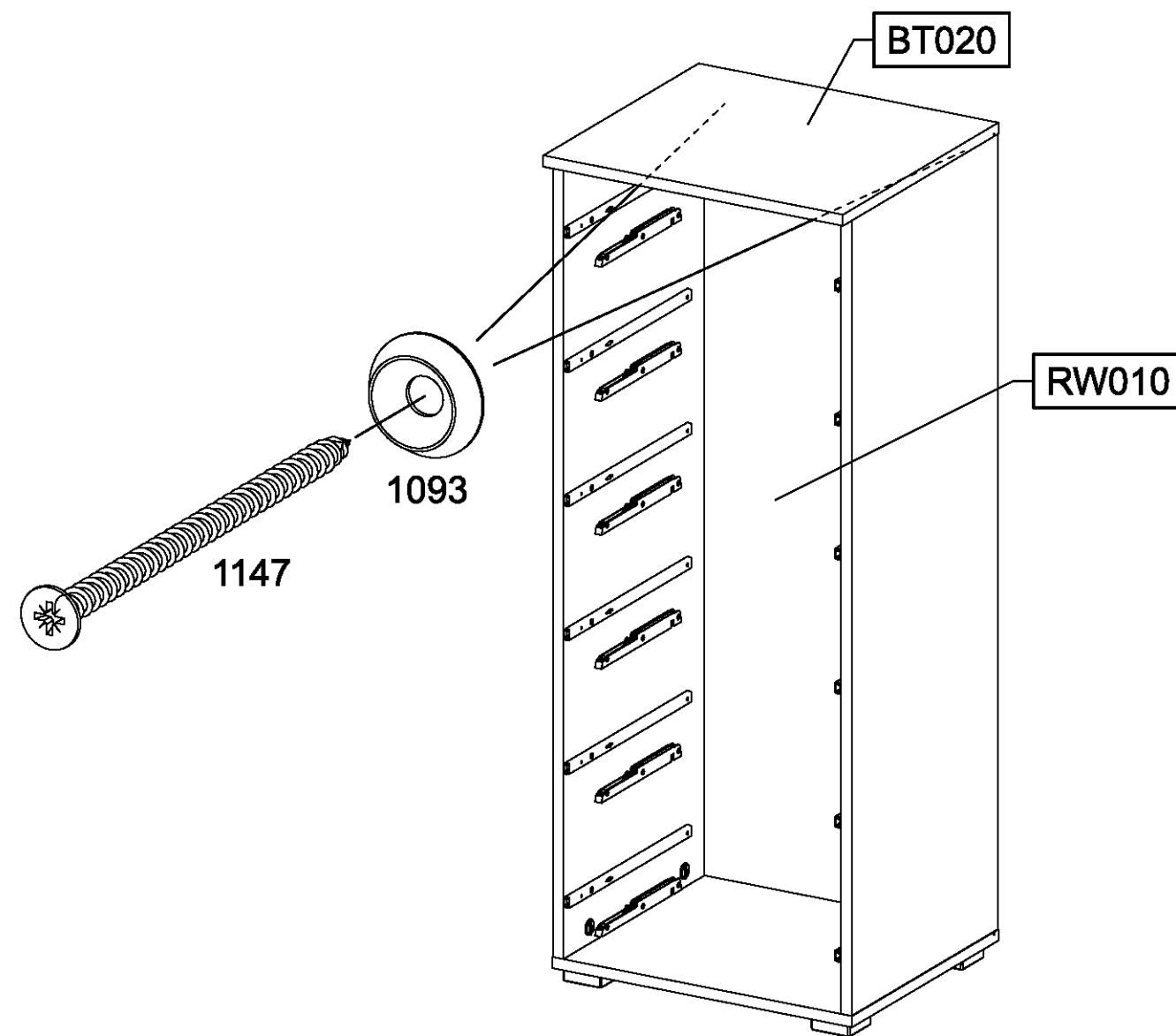
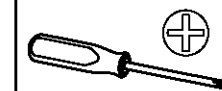
2x 1093



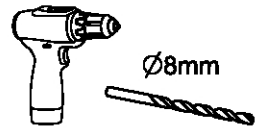
2x 1147



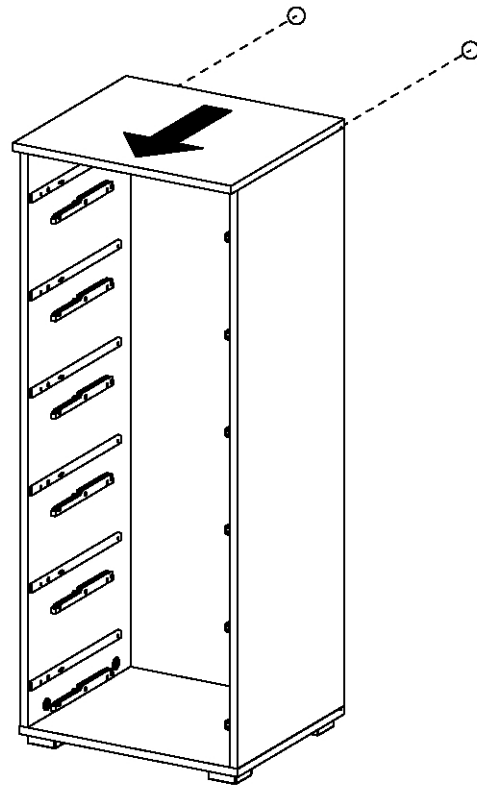
6,0x90



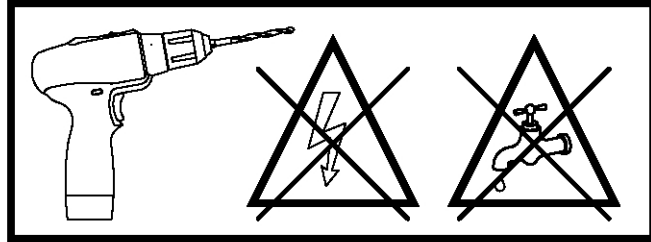
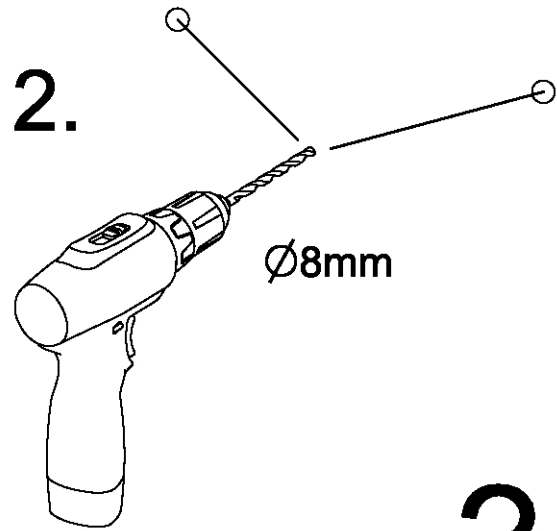
21



1.

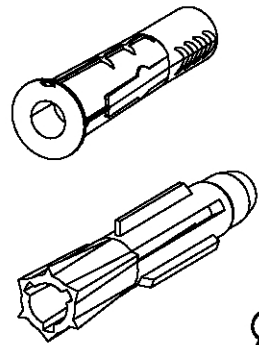
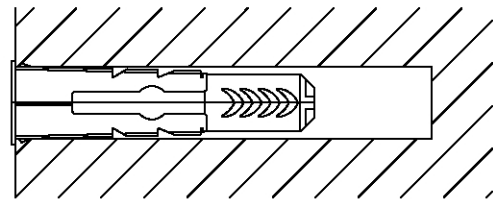


2.



?

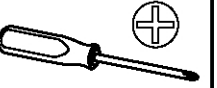
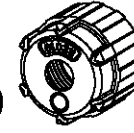
3.



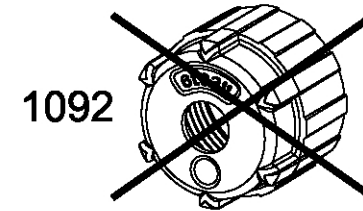
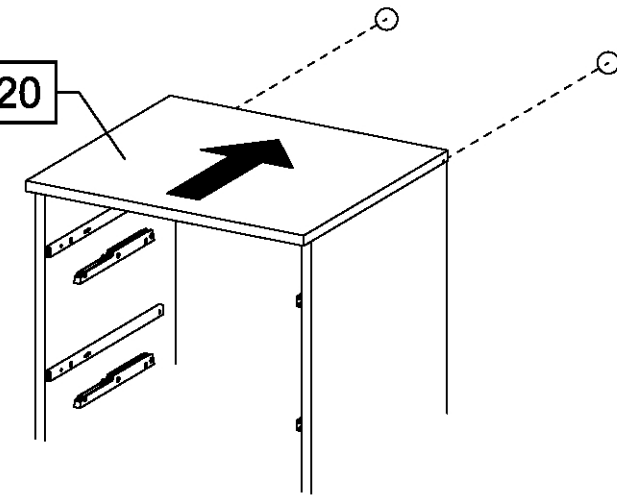
Ø8mm

22

2x 1092



BT020



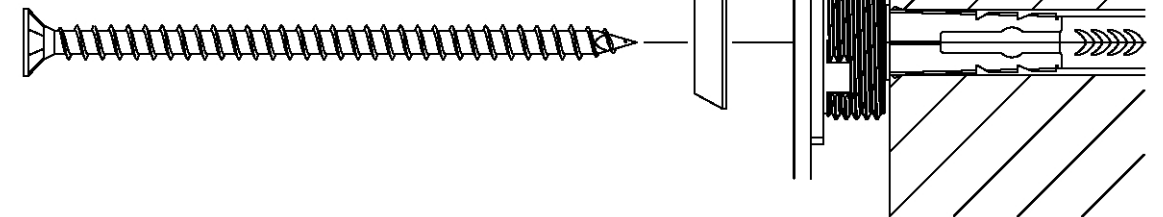
1092



BT020

1147

1093



10-15mm

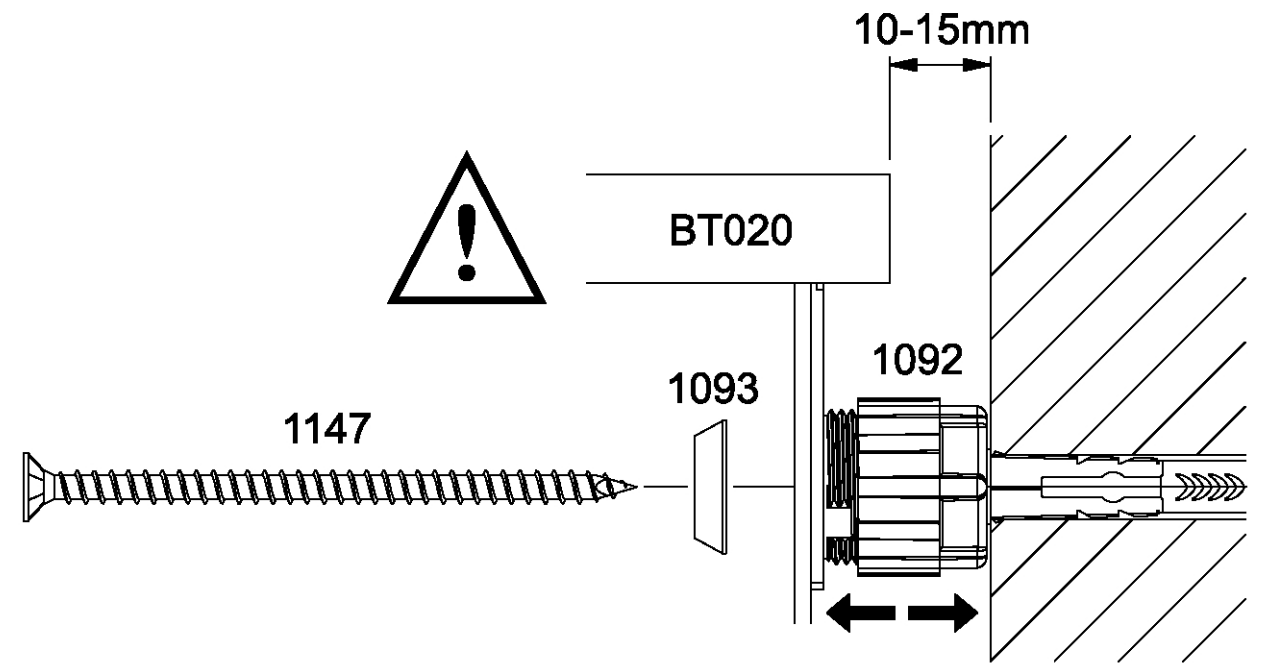


BT020

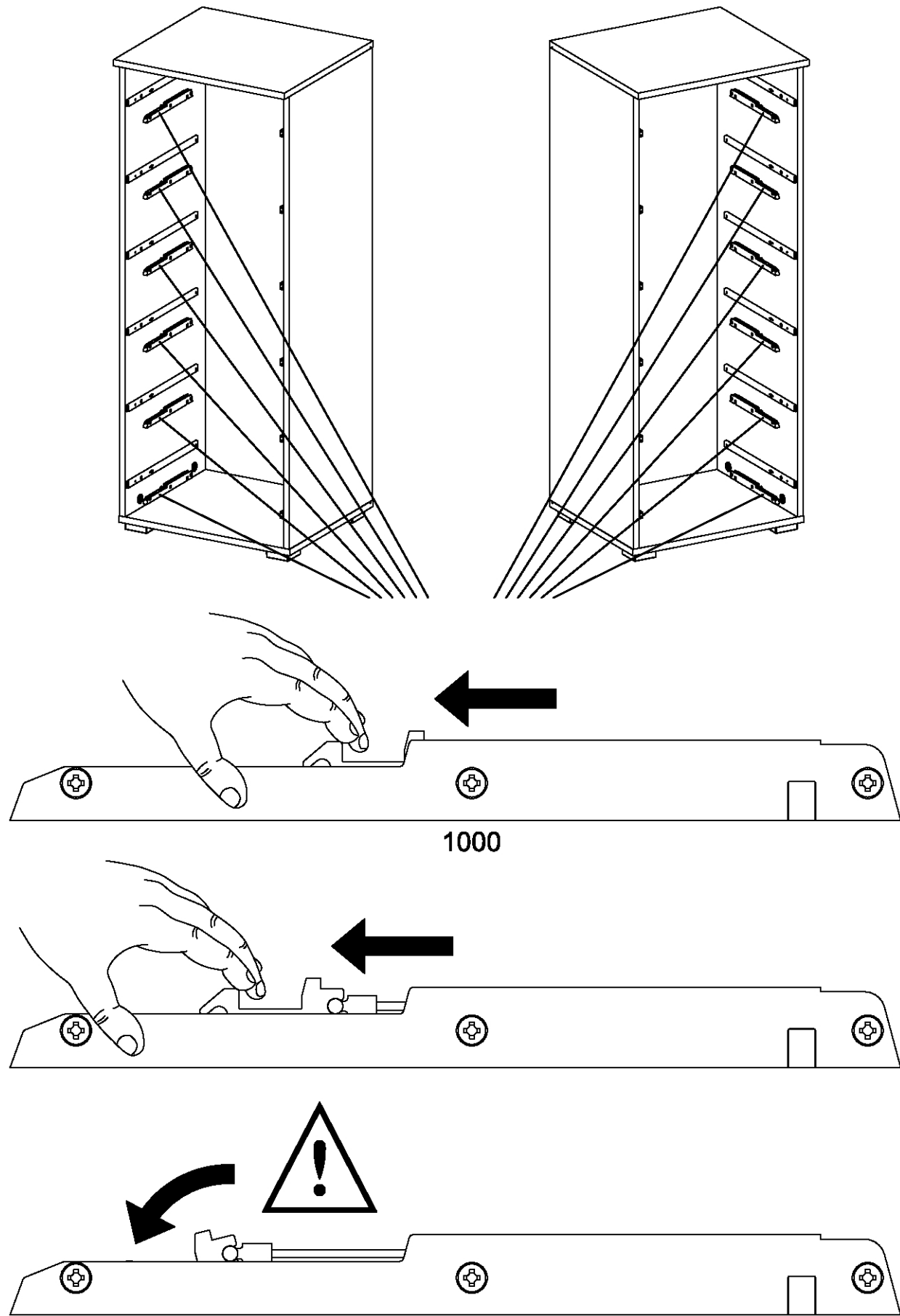
1147

1093

1092



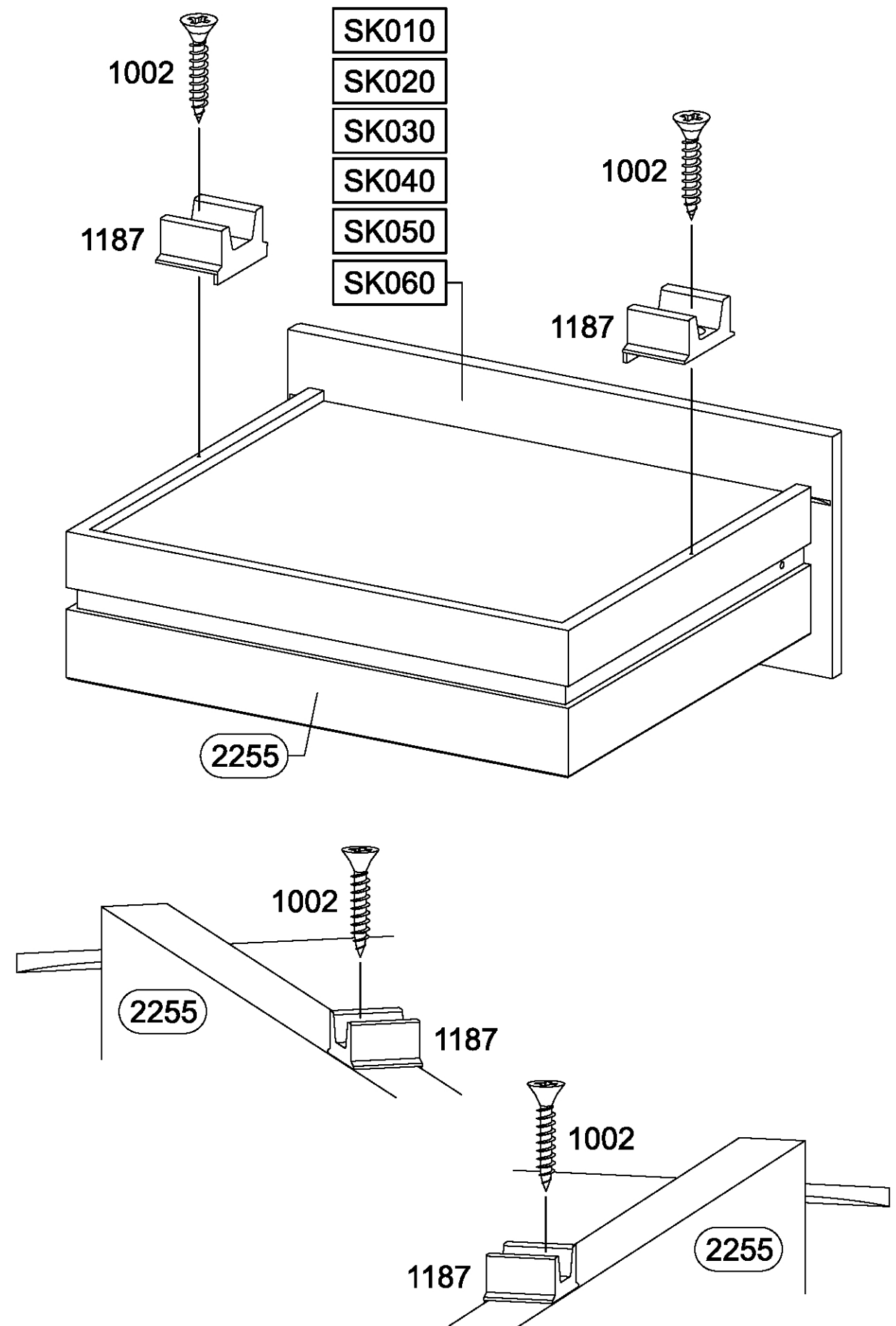
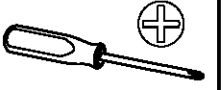
23



24

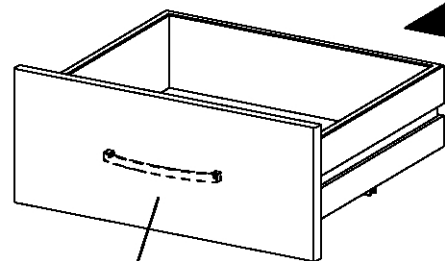
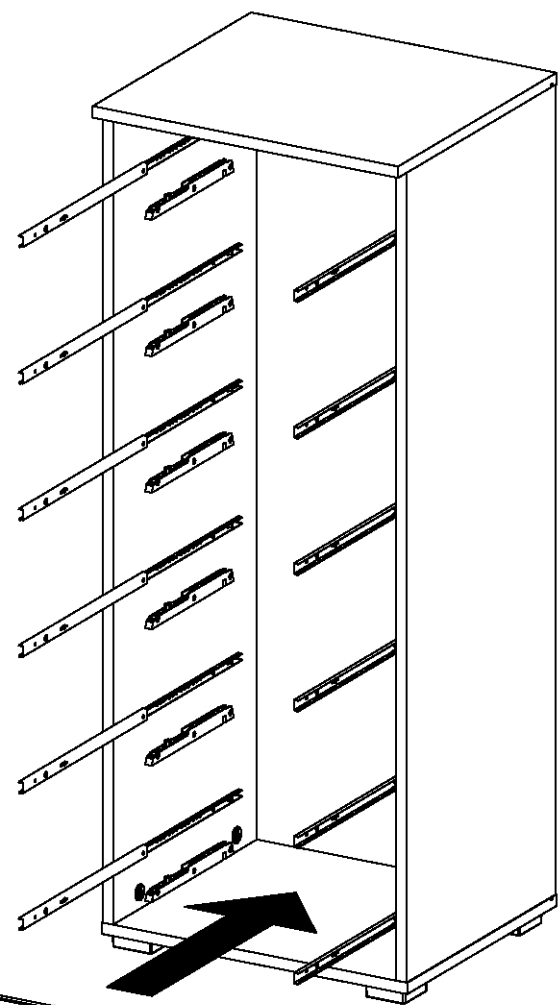
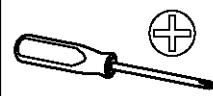
12x 1002 3,5x20

12x 1187



25

12x 568 M4x9



- SK010
- SK020
- SK030
- SK040
- SK050
- SK060

