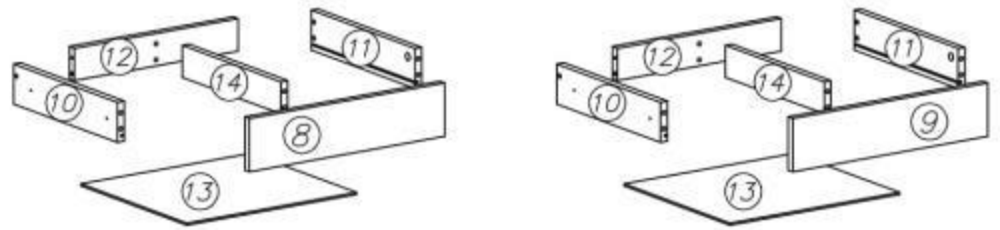
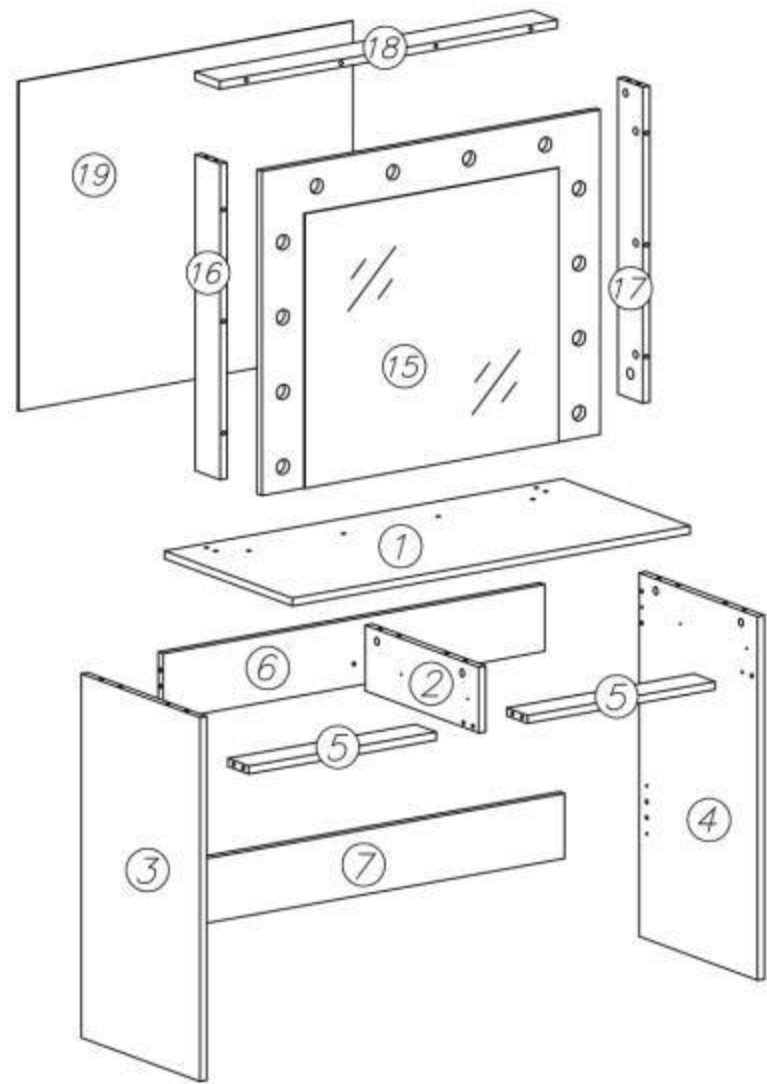
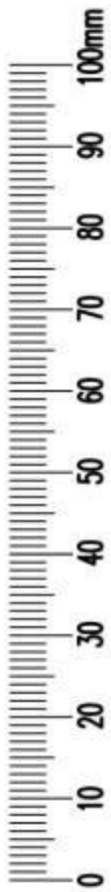
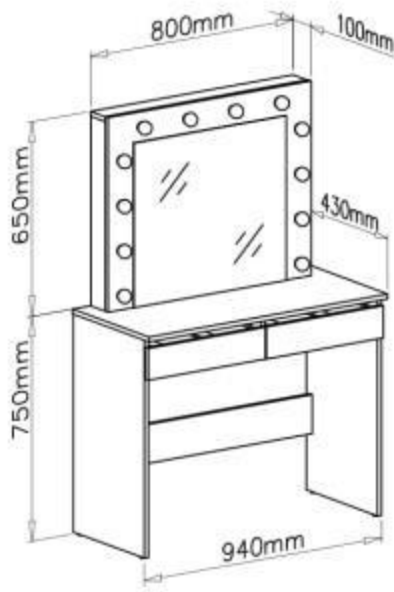











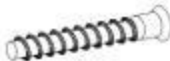



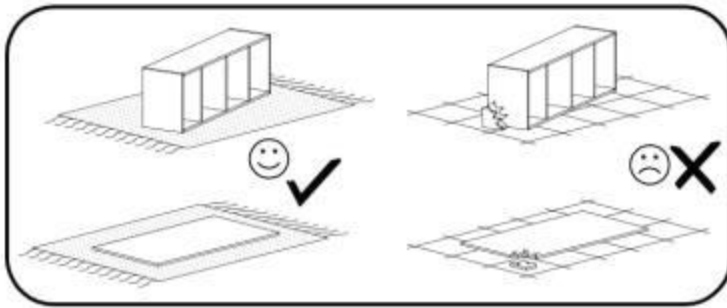


HOLLYWOOD

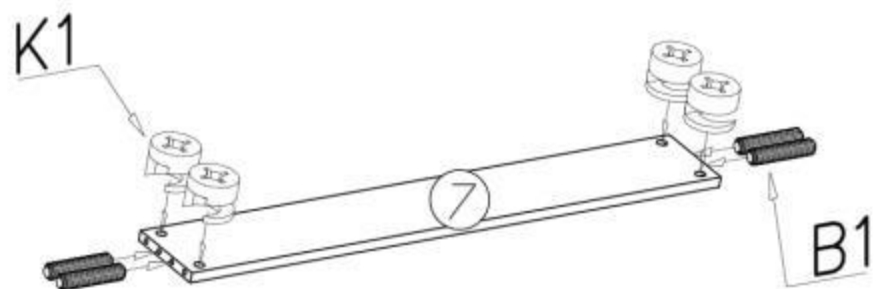
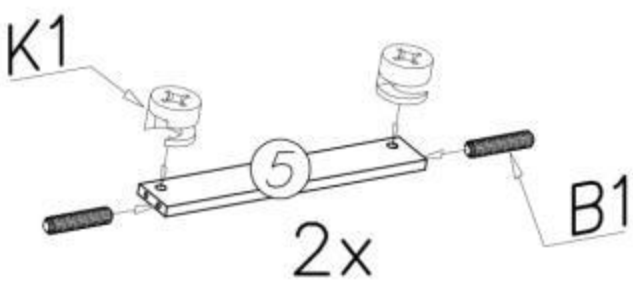
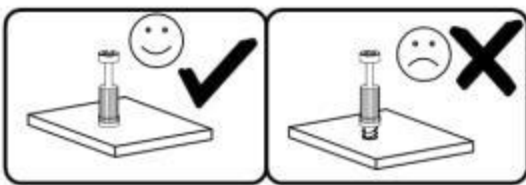
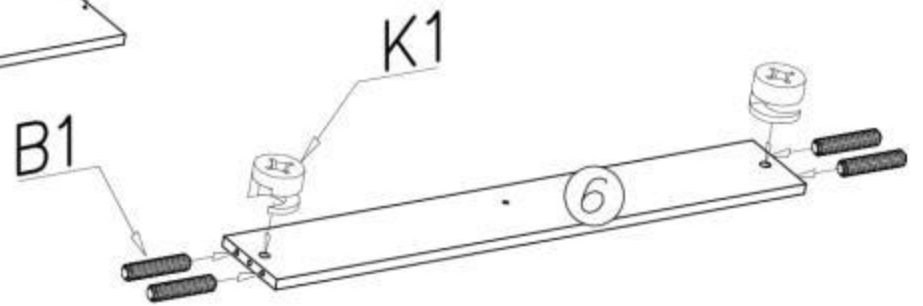
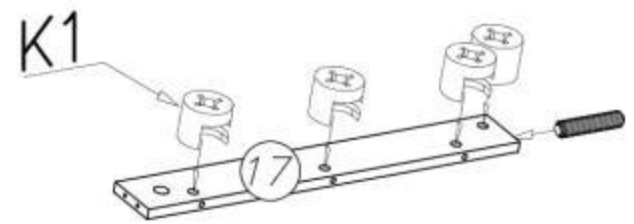
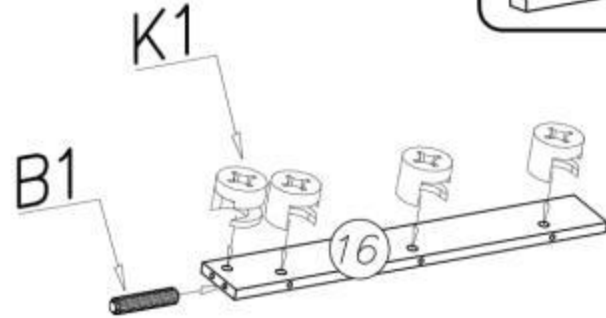
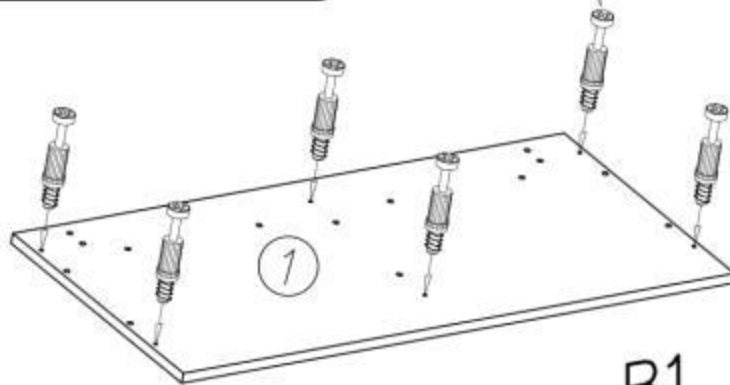
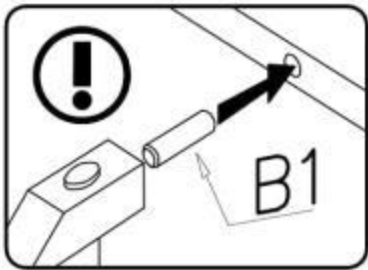
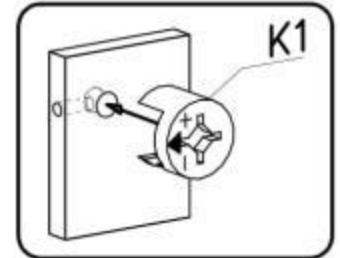
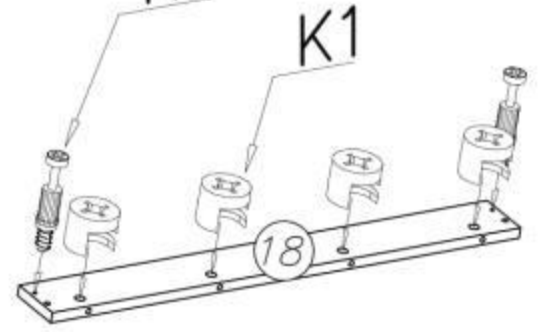
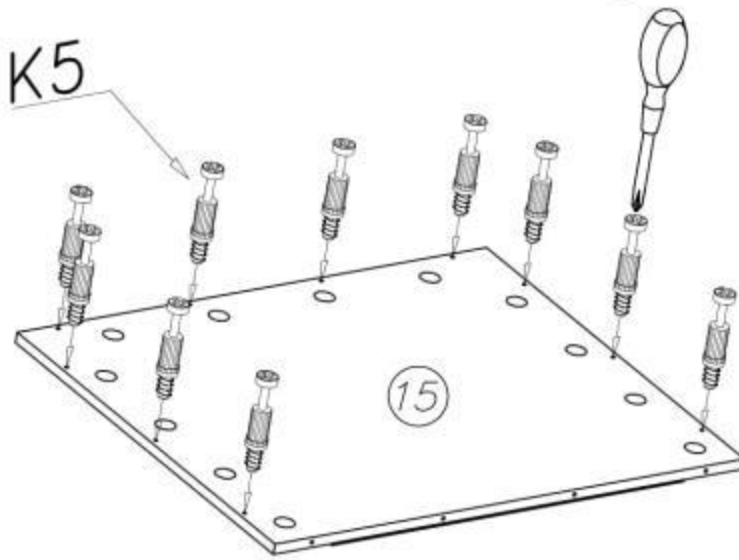
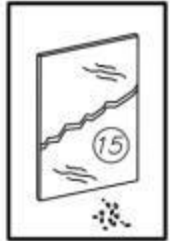


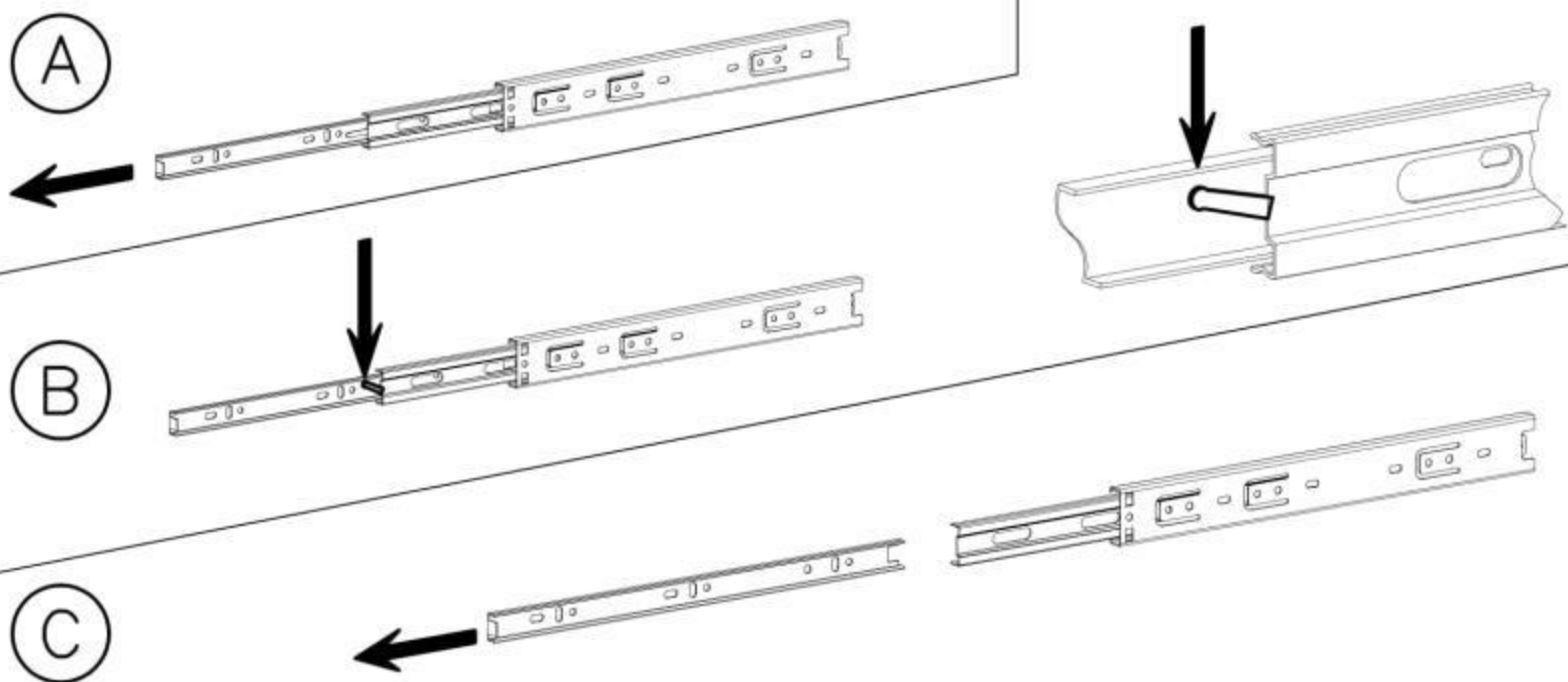
K6  1x	H23  2x	G22  3x16 26x	B1  ø8x30 36x	W10  x12 1x
W2  1x	H30-350mm  2x	W4  ø1,4x20 14x	I7  ø18 14x	 x12
K1  ø15x12 32x	A1  ø7x50 13x	K5  30x	P4  4x	 x12 1x

1

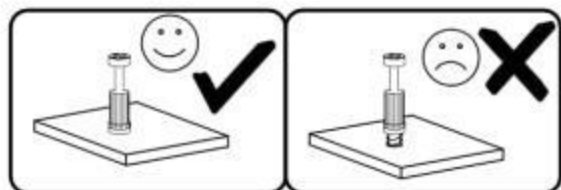


B1 Ø8x30 14x	K1 Ø15x12 22x
	K5 18x

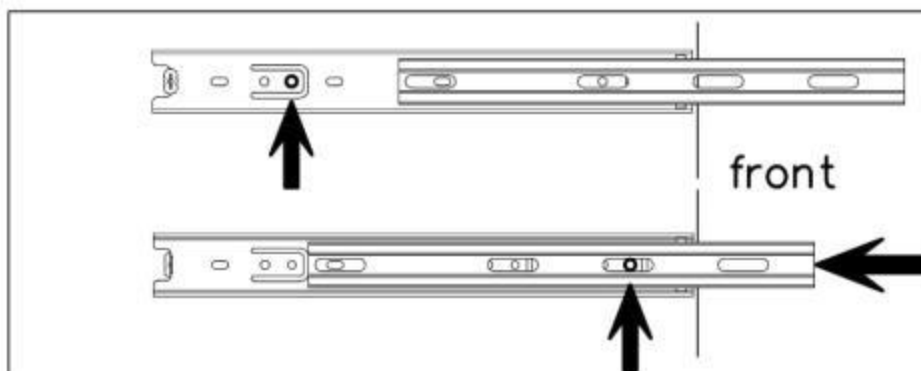
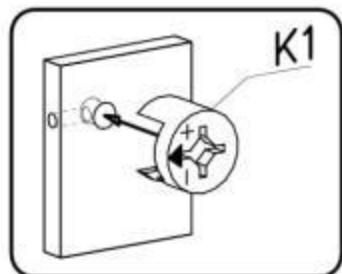
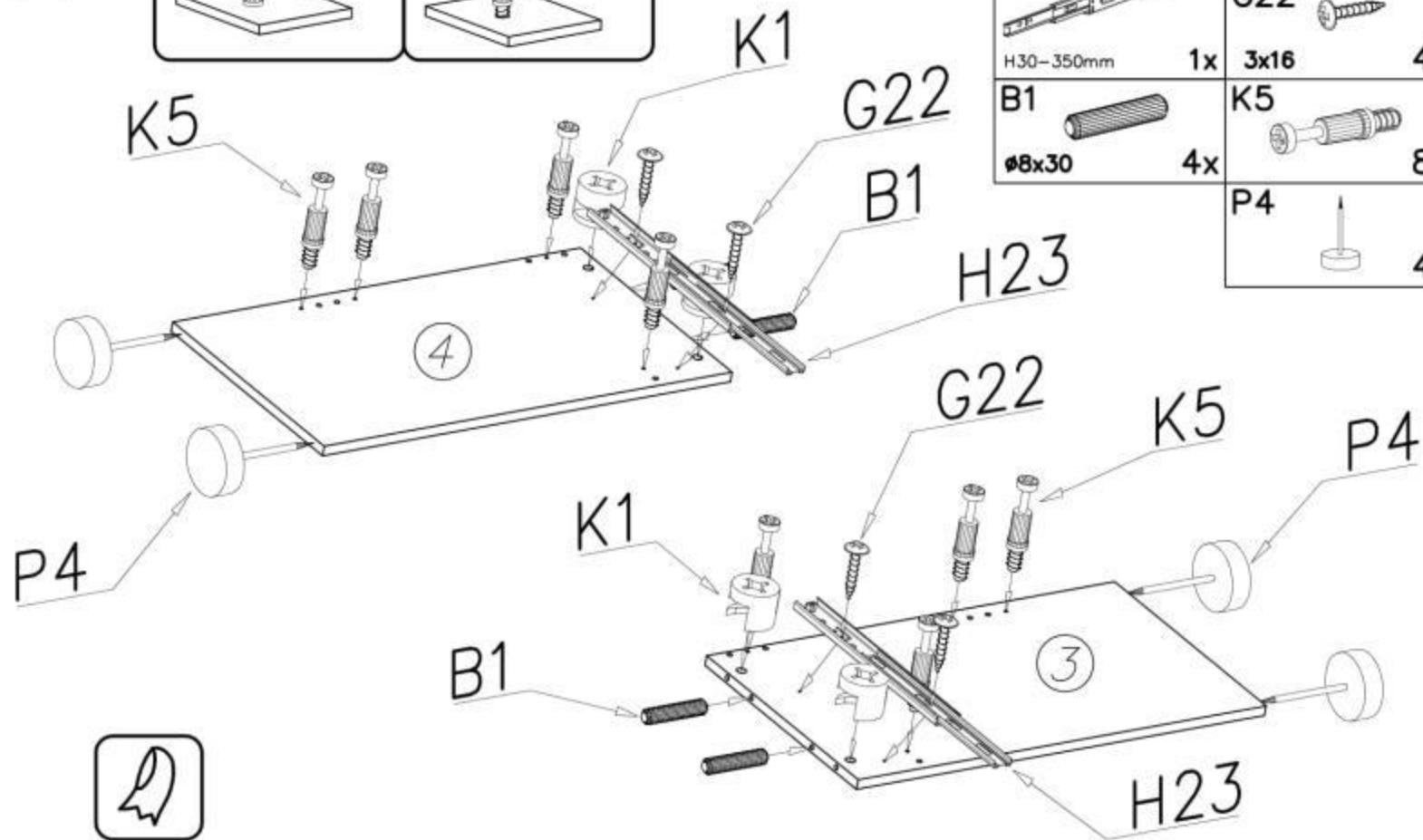




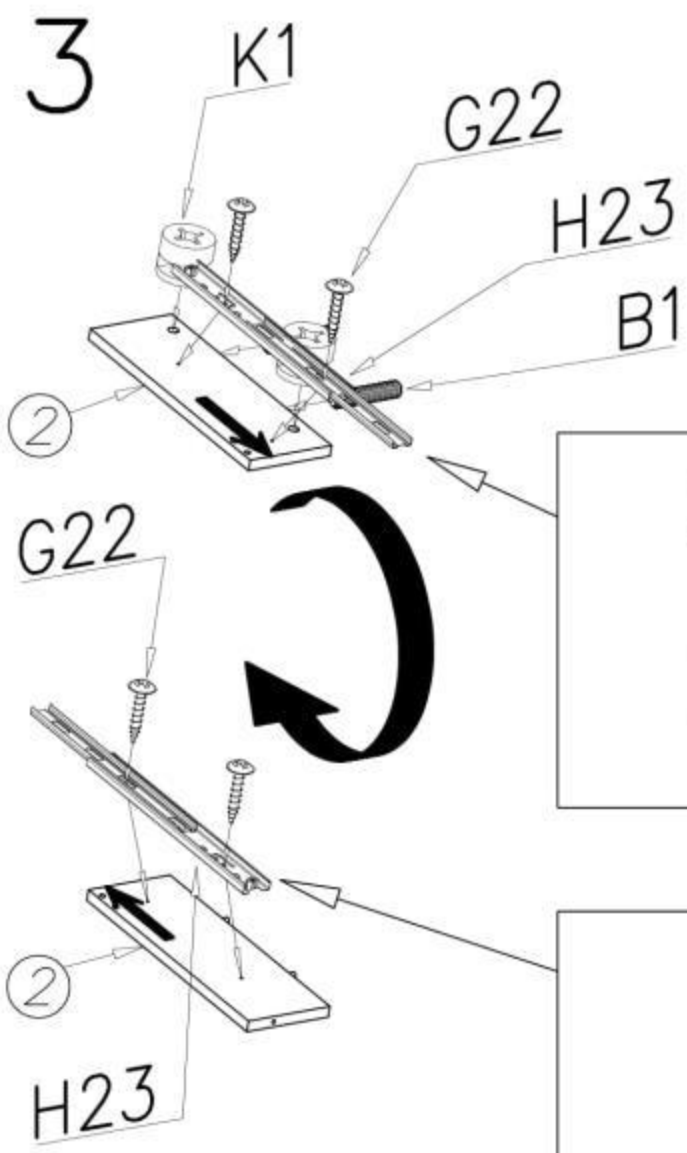
2



H23		K1		4x
H30-350mm	1x	G22		4x
B1		K5		8x
∅8x30	4x	P4		4x



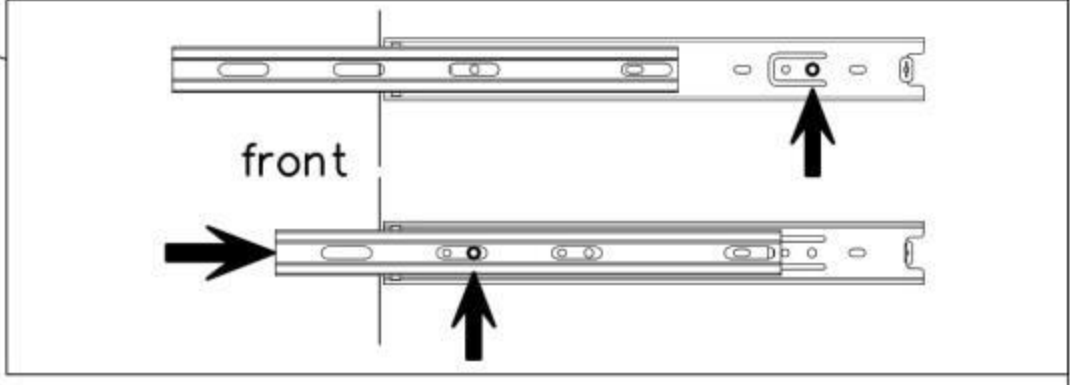
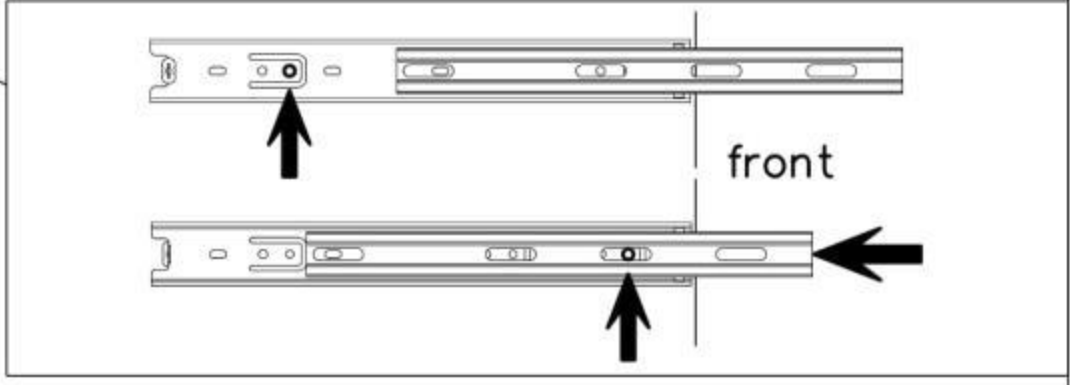
3



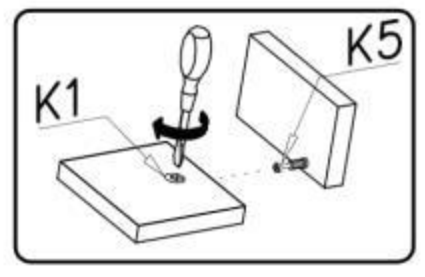
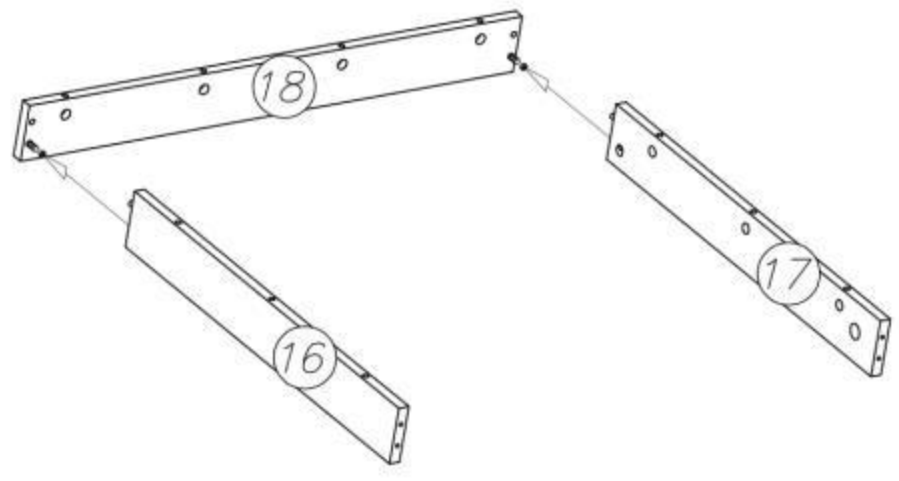
B1 $\varnothing 8 \times 30$ 2x

H23 H30-350mm 1x

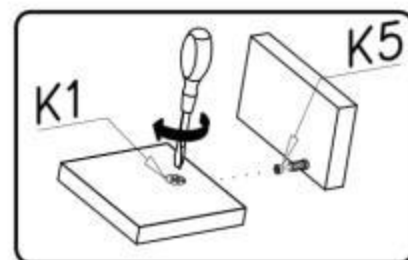
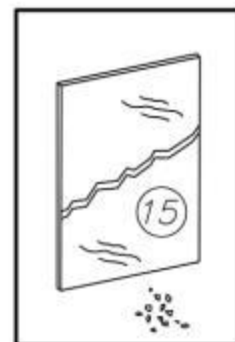
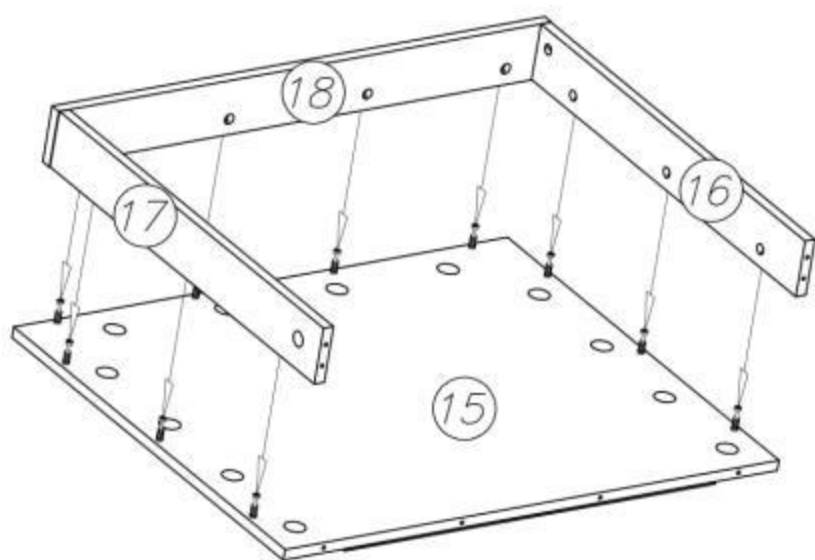
K1 $\varnothing 15 \times 12$ 2x
G22 3x16 4x



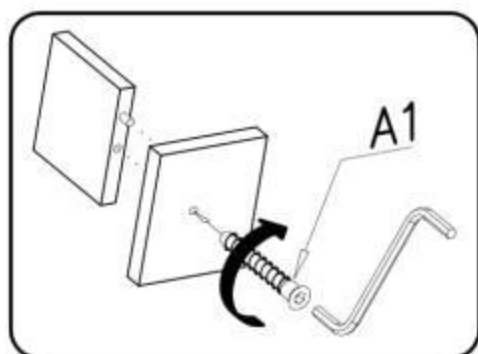
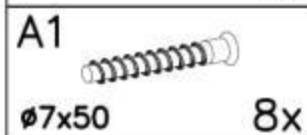
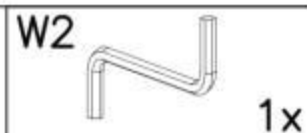
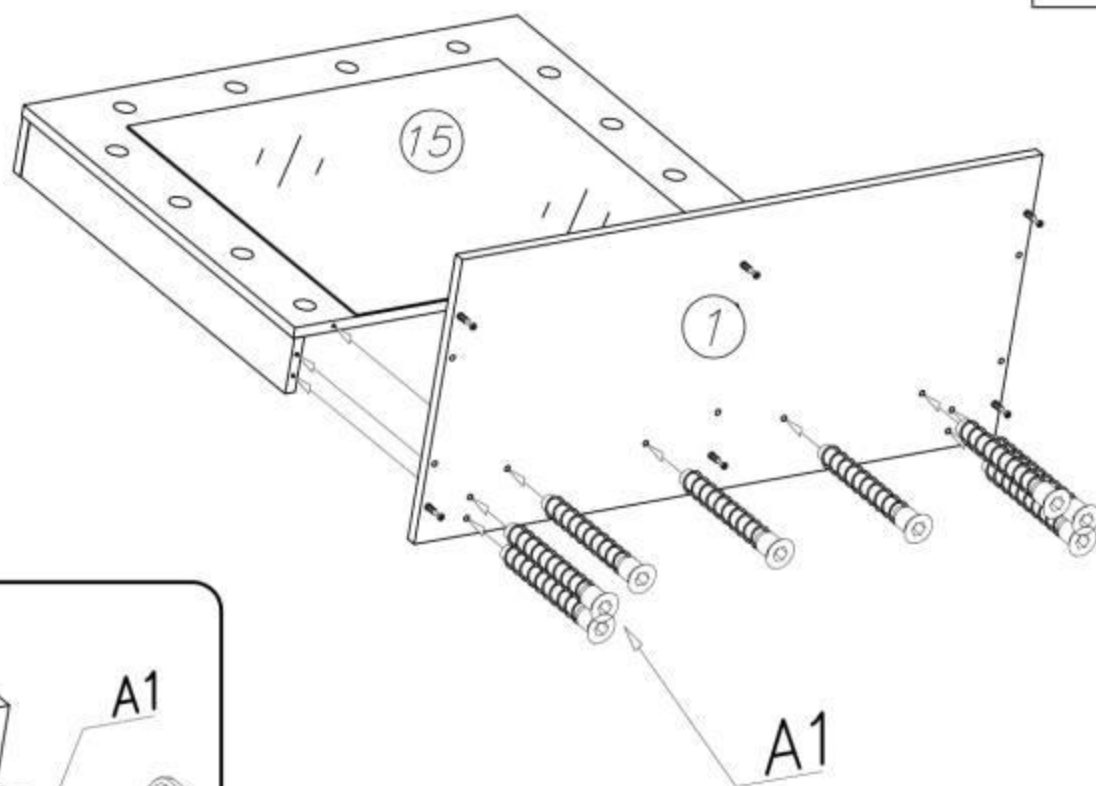
4



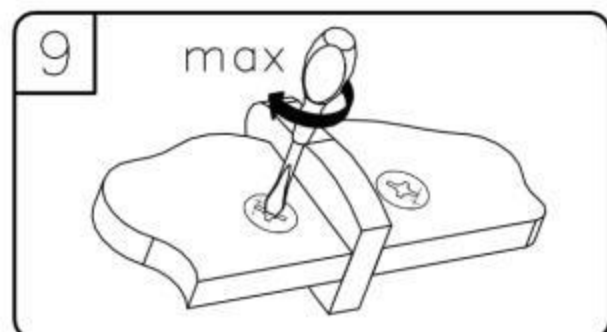
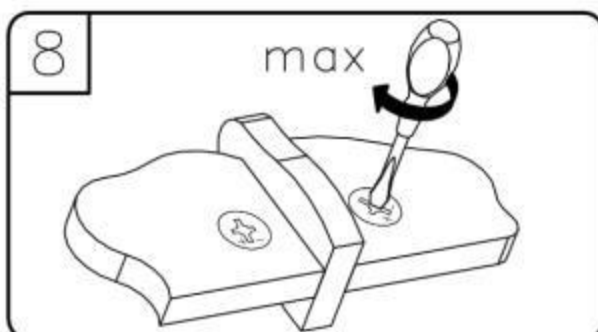
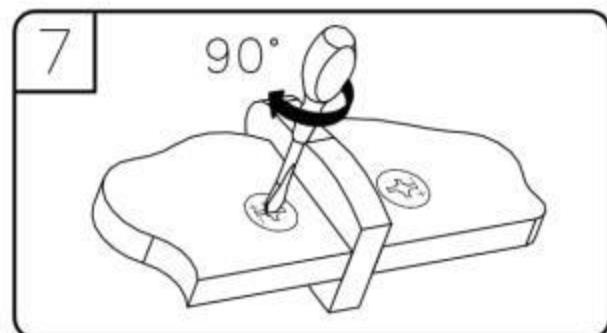
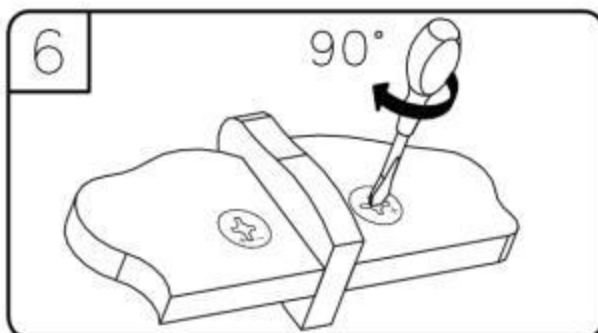
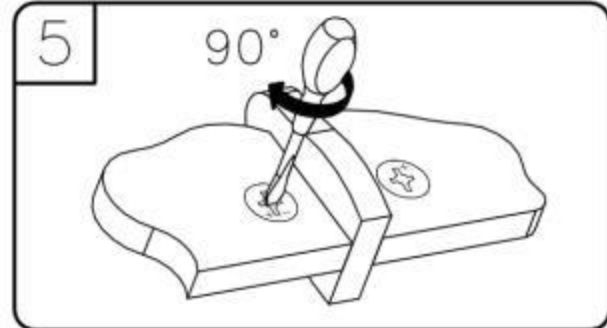
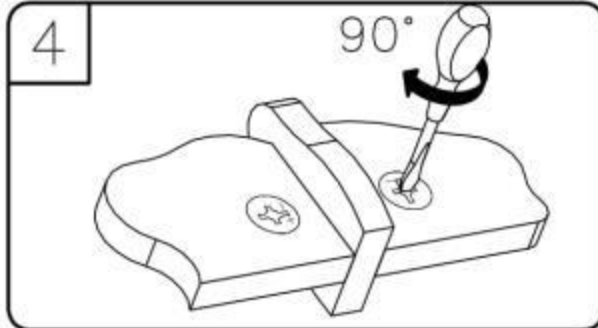
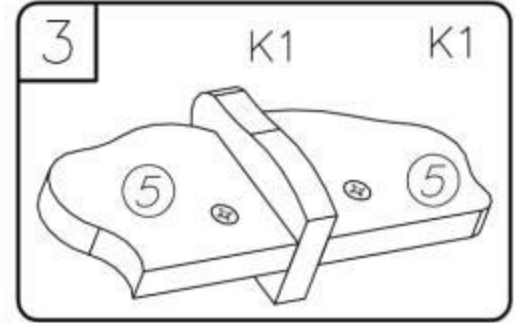
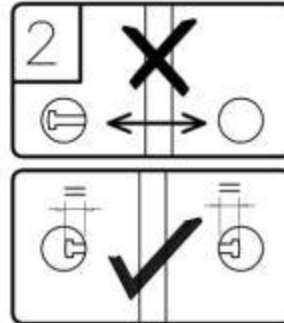
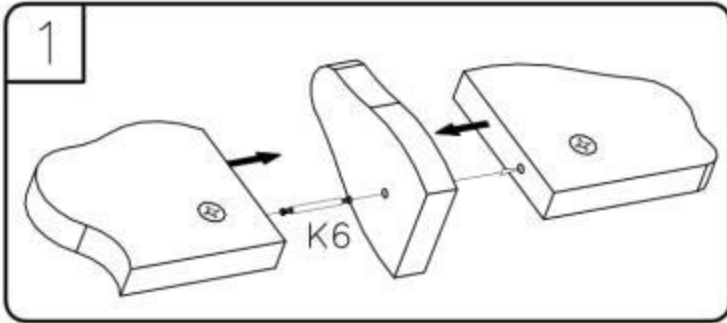
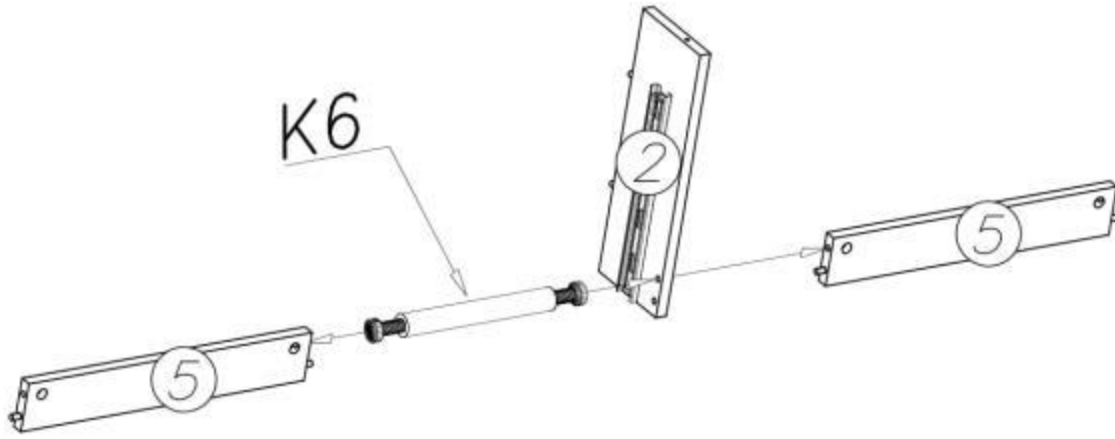
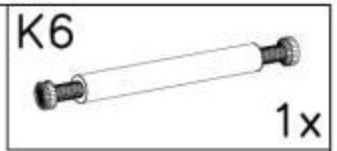
5



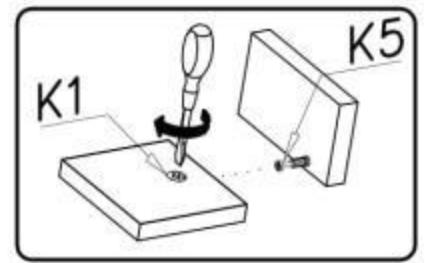
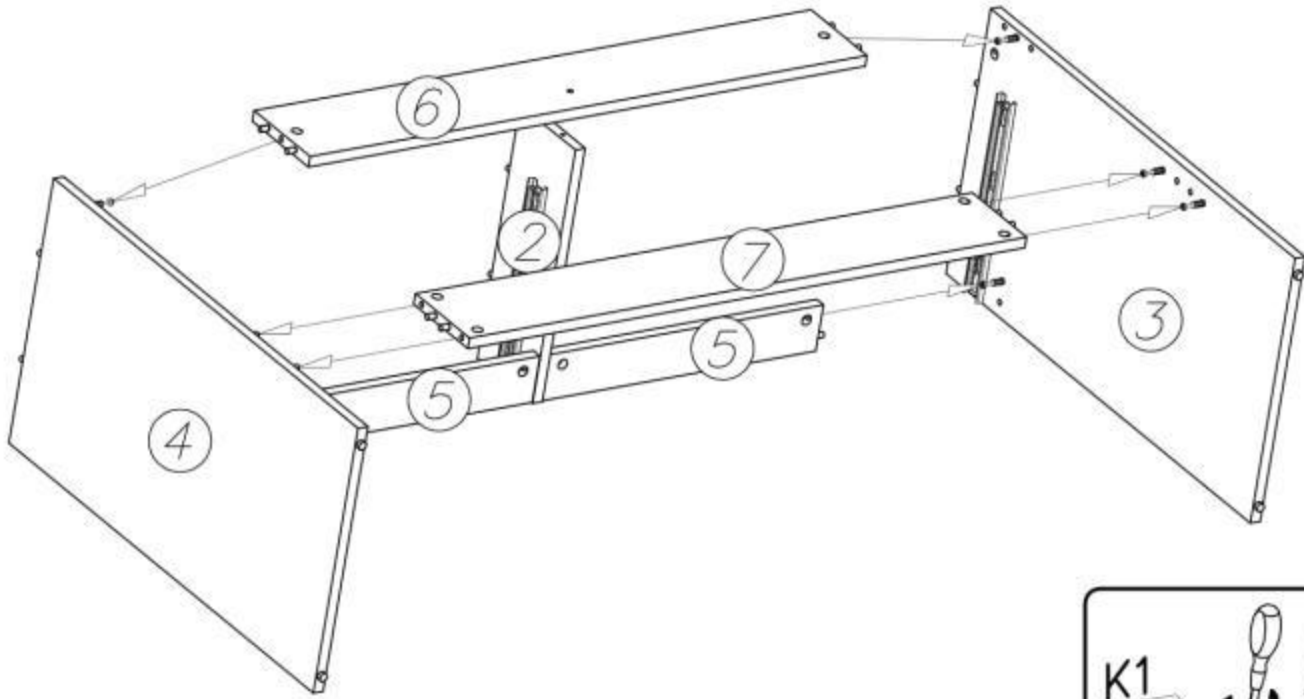
6



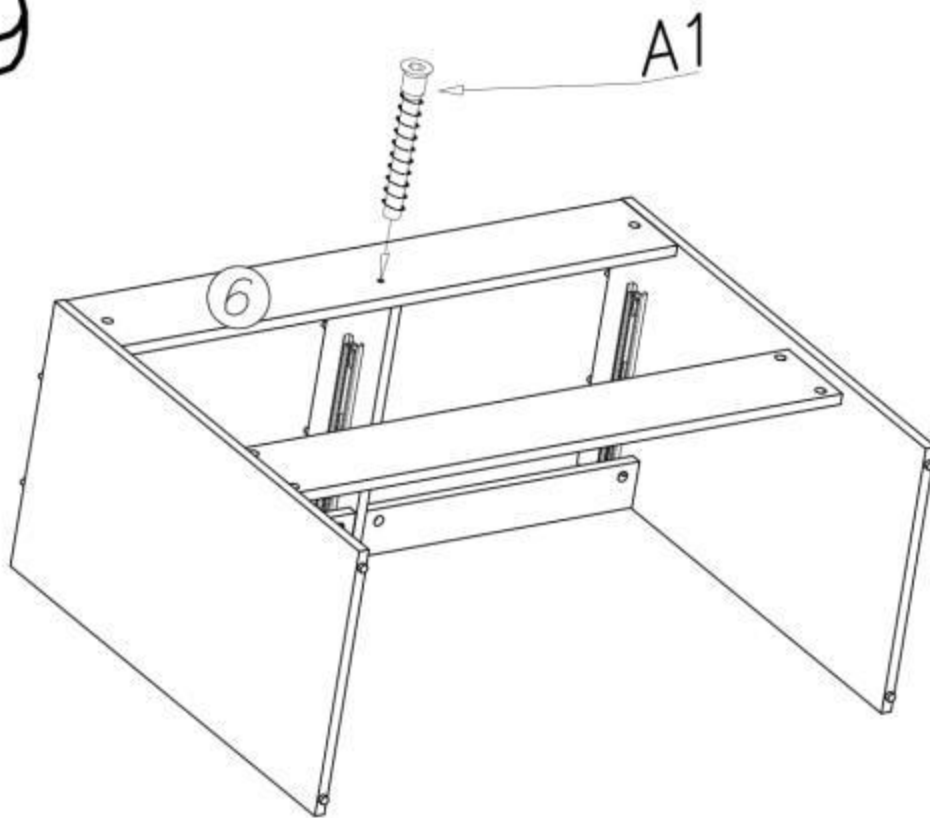
7



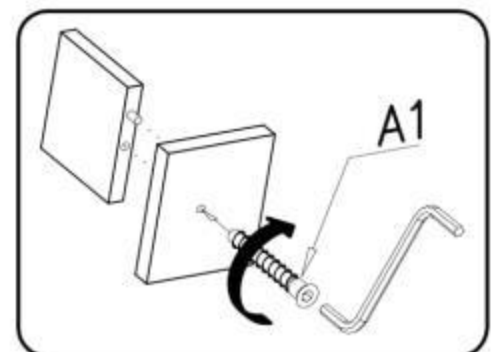
8



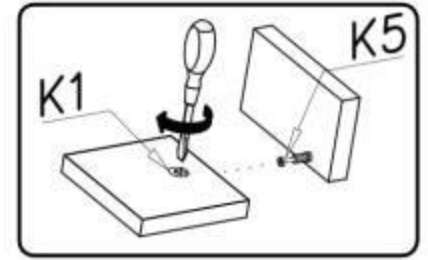
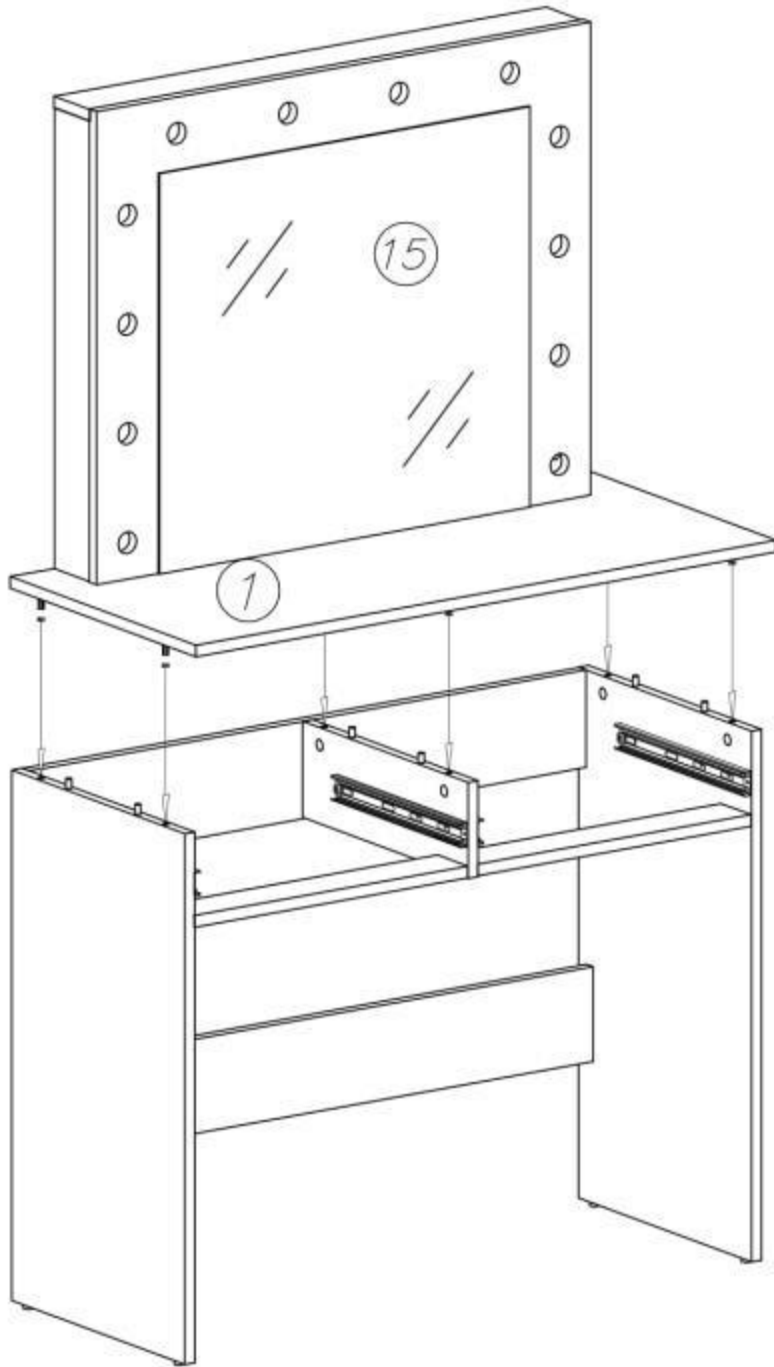
9



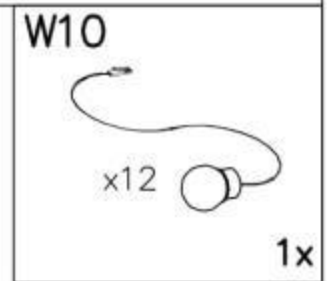
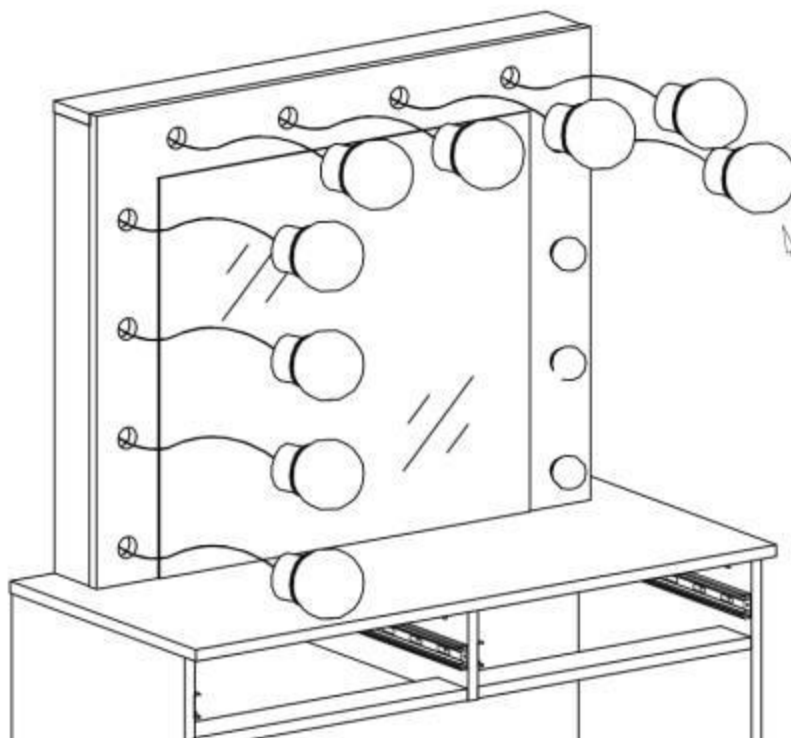
W2		1x
A1		1x
	Ø7x50	



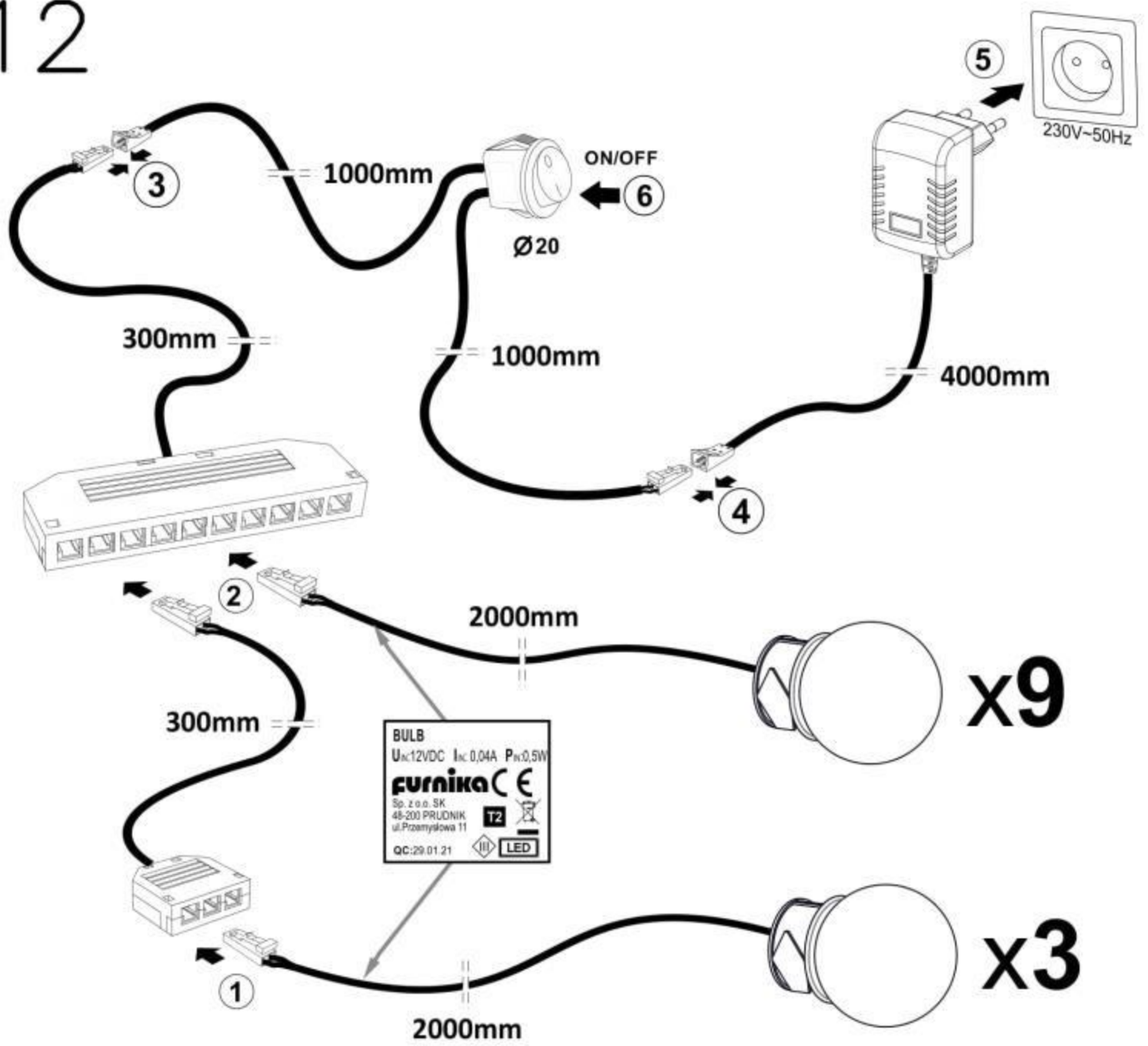
10



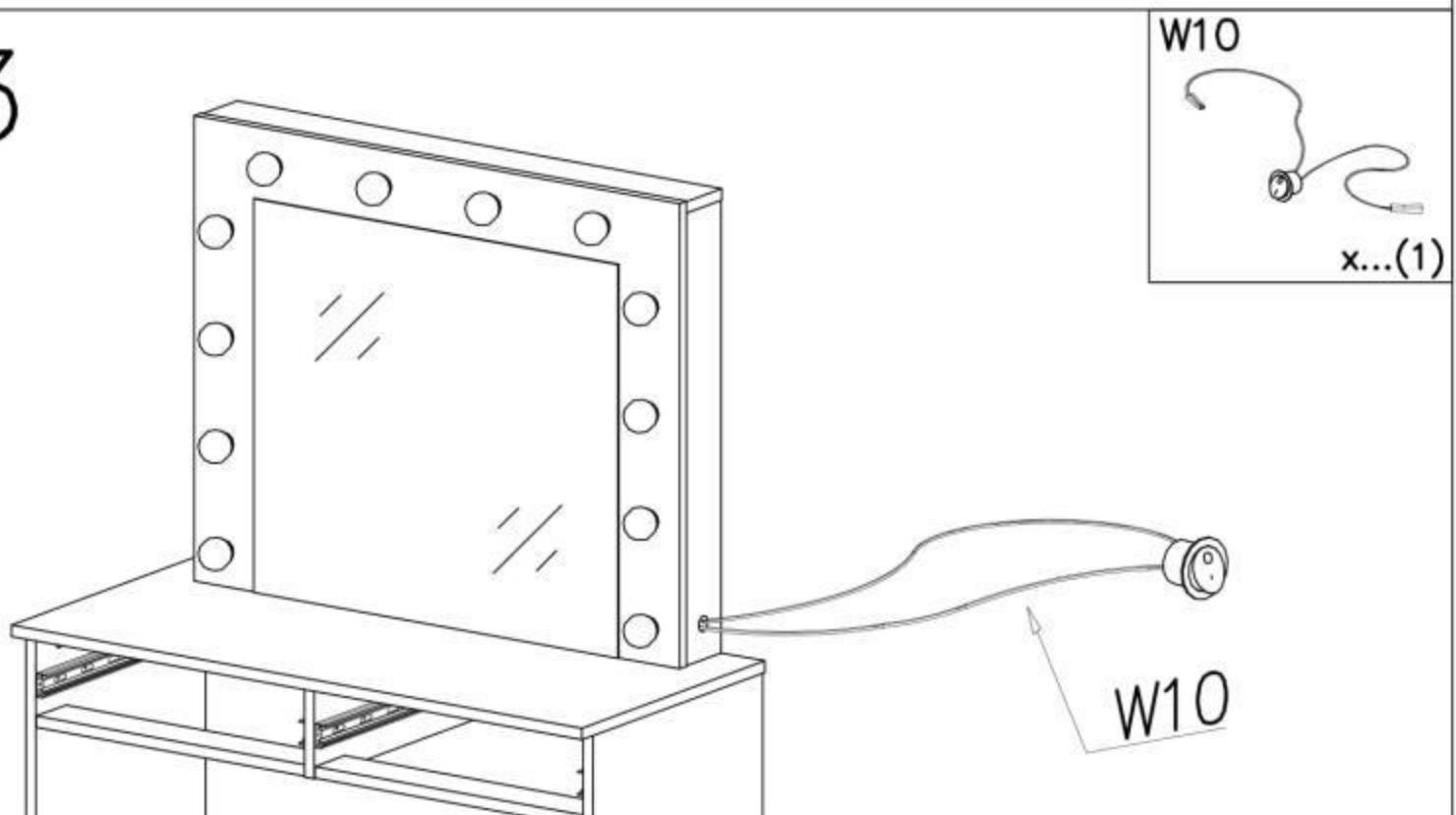
11



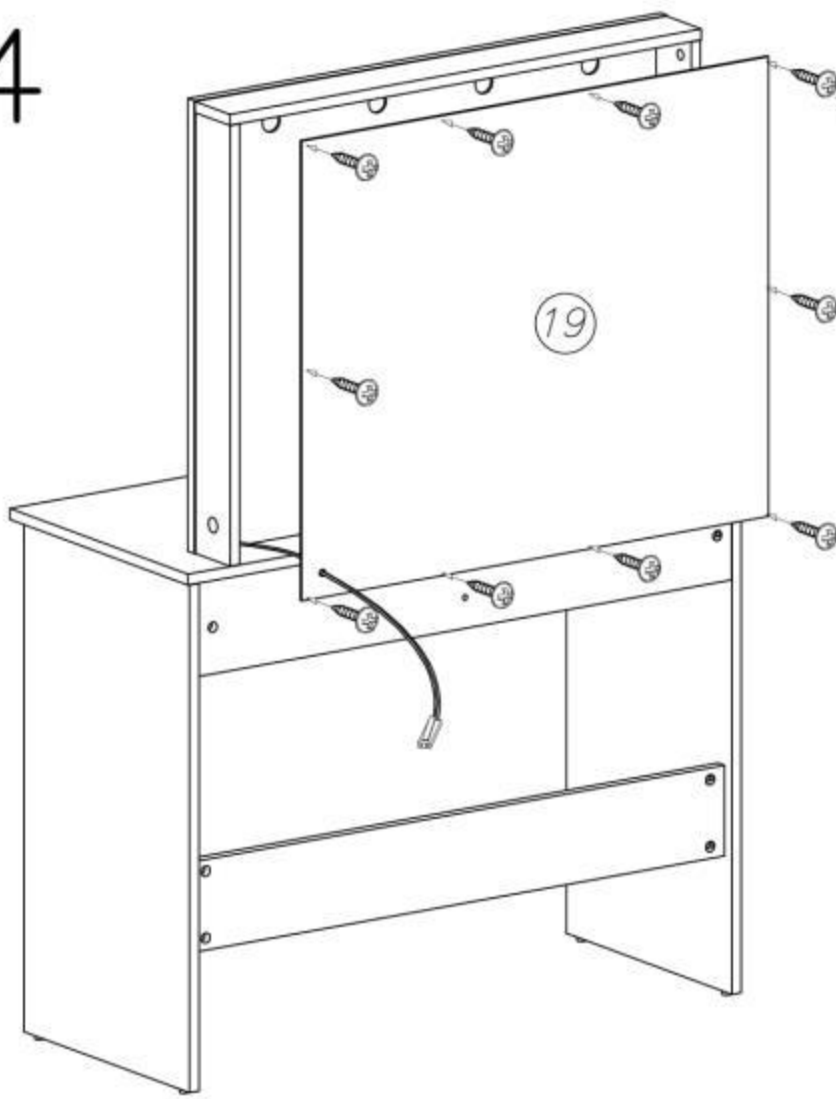
12



13

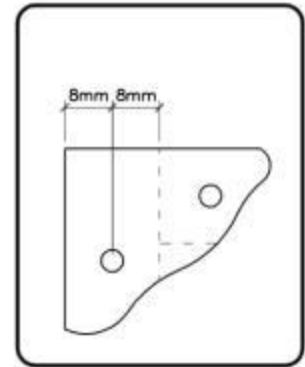


14

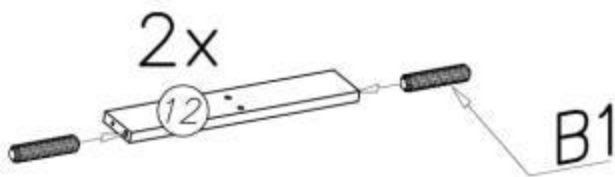


G22

G22
3x16 10x



15



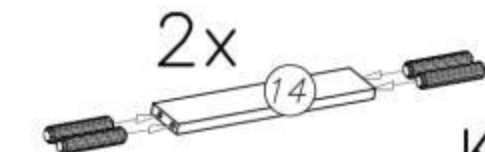
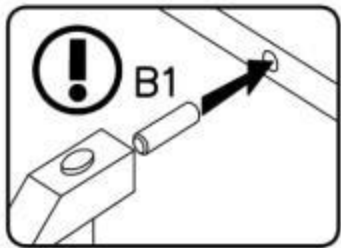
2x

B1

K1
ø15x12 4x

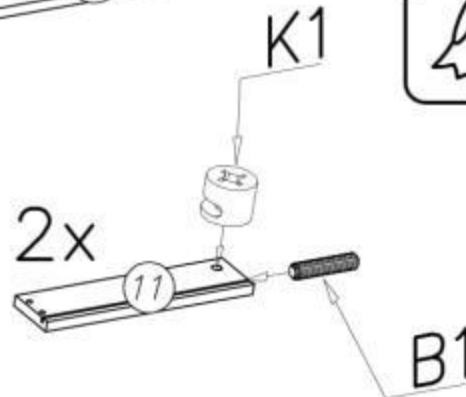
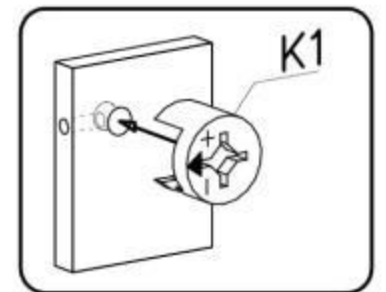
B1
ø8x30 16x

K5
4x



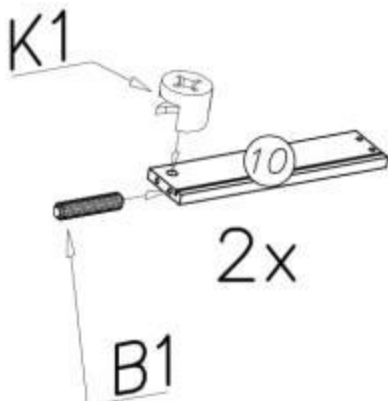
2x

B1



2x

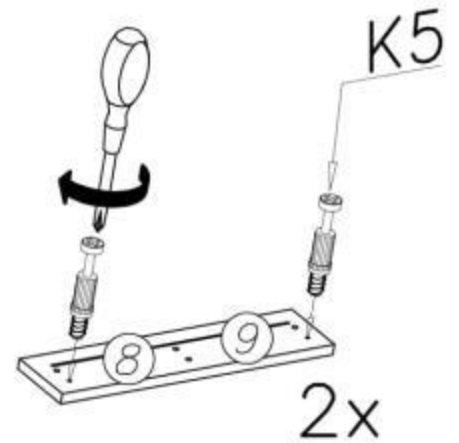
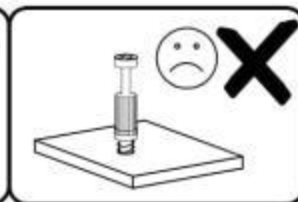
B1



K1

2x

B1

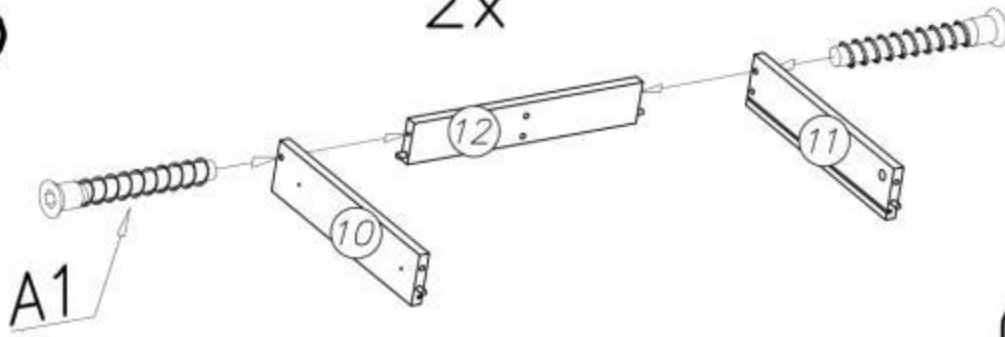


K5

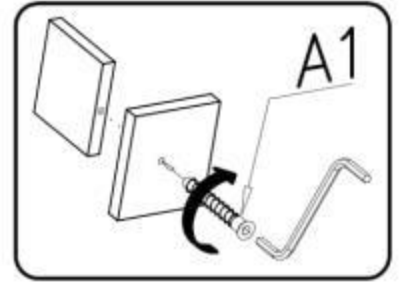
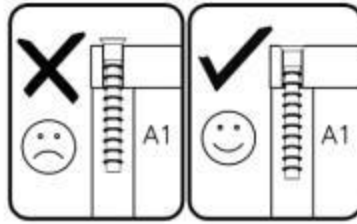
2x

16

2x

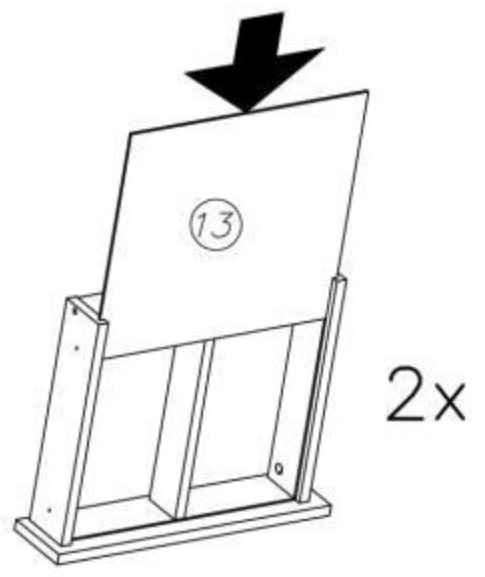
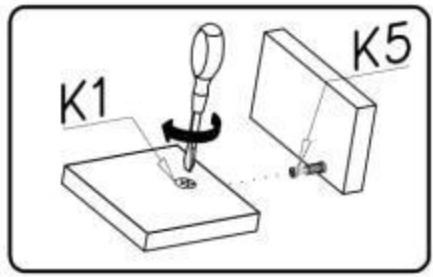
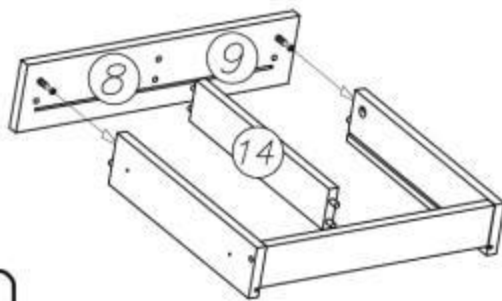


- W2 1x
- A1 $\varnothing 7 \times 50$ 4x



17

2x

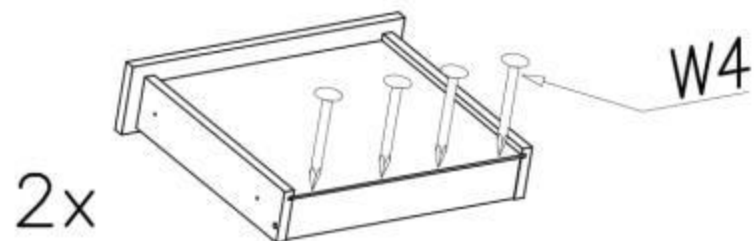
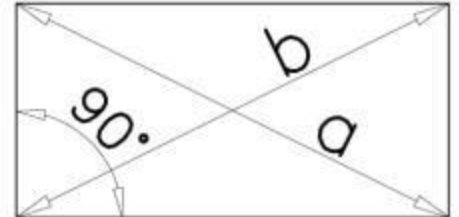
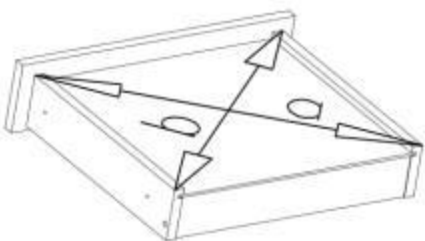


18

a=b



- W4 $\varnothing 1,4 \times 20$ 8x



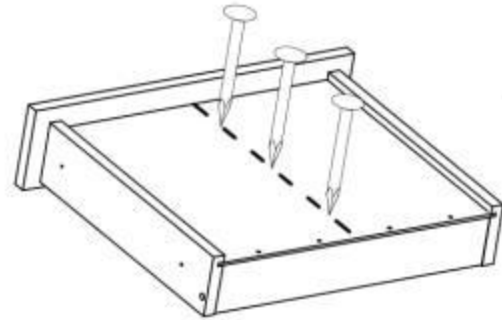
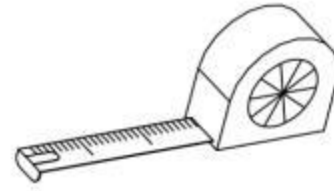
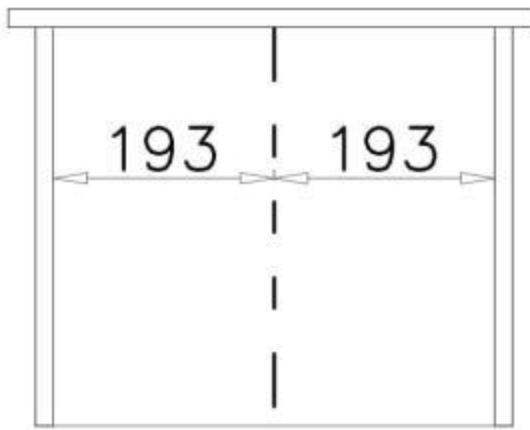
19

W4



ø1,4x20

6x



2x

20

G22

3x16



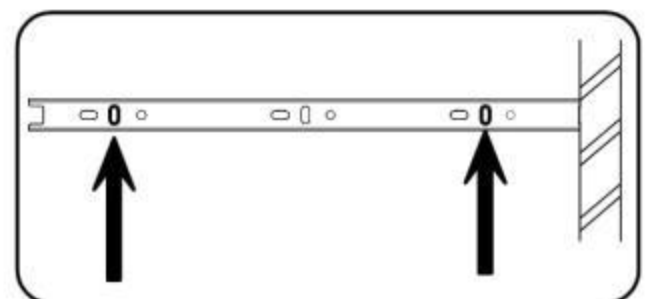
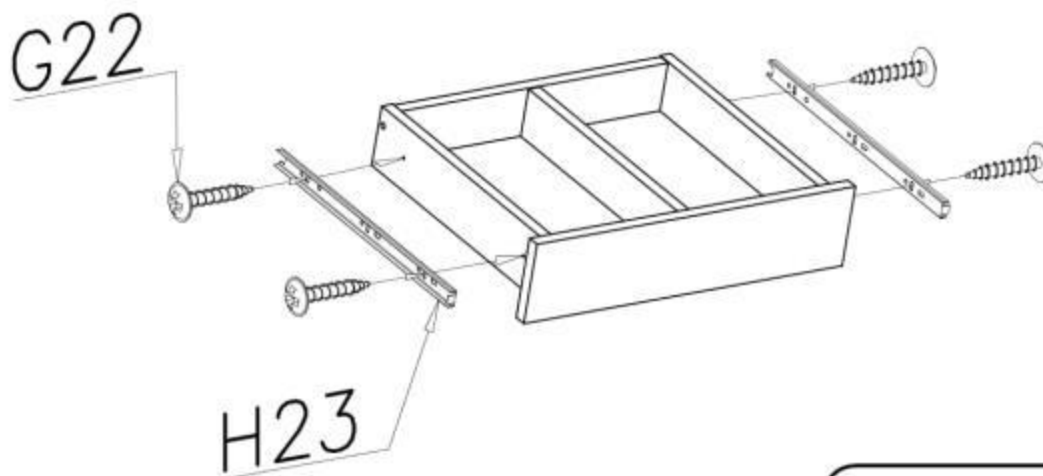
8x

H23

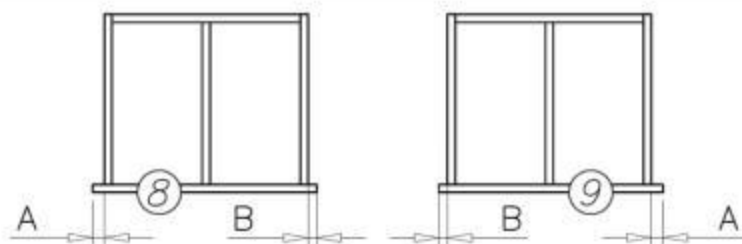


H30-350mm

2x



21



$A \neq B$
 $A > B$

$B \neq A$
 $B < A$



17
ø18 14x

