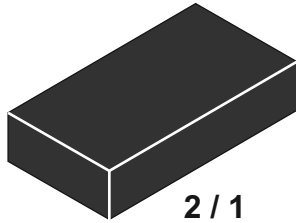
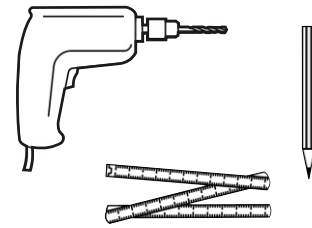
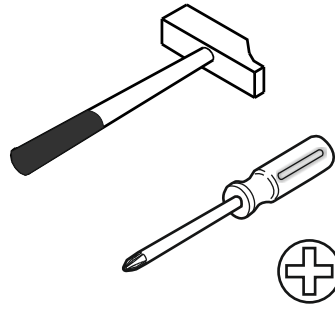
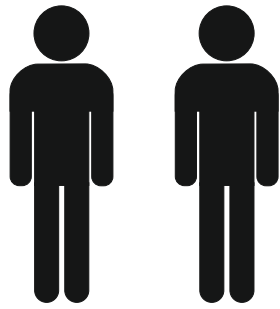
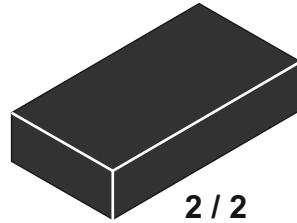


20.20.1202.00

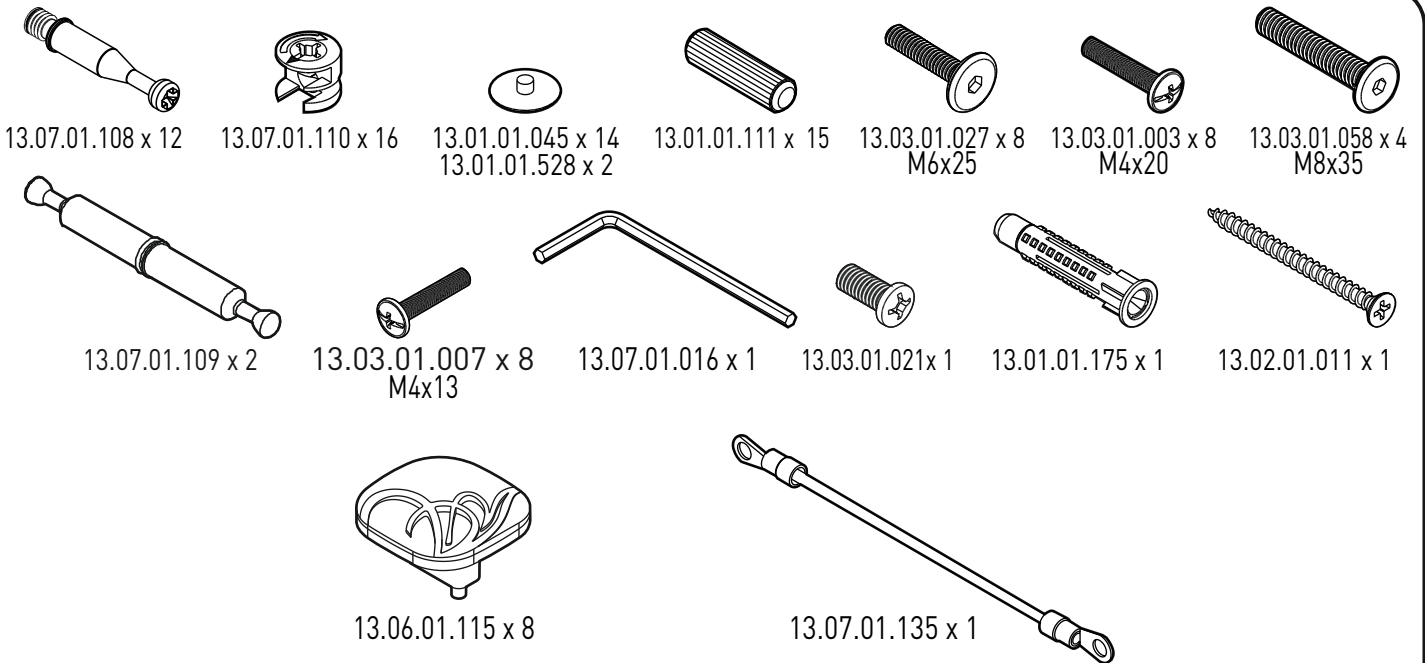




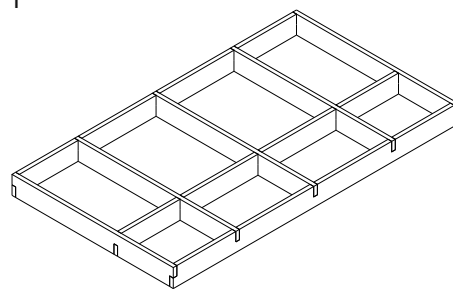
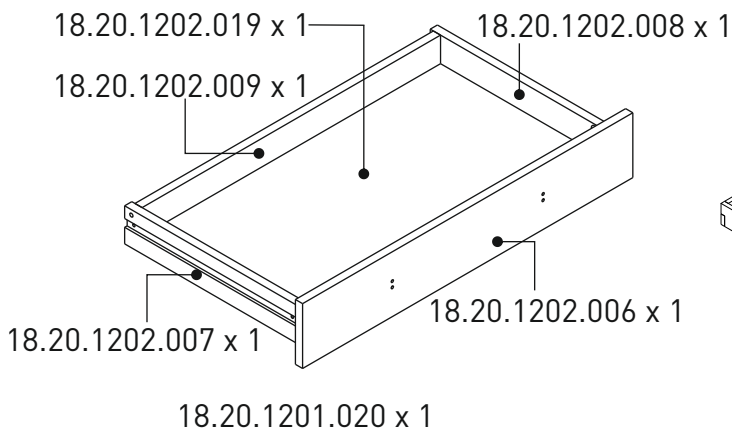
2/1



2/2



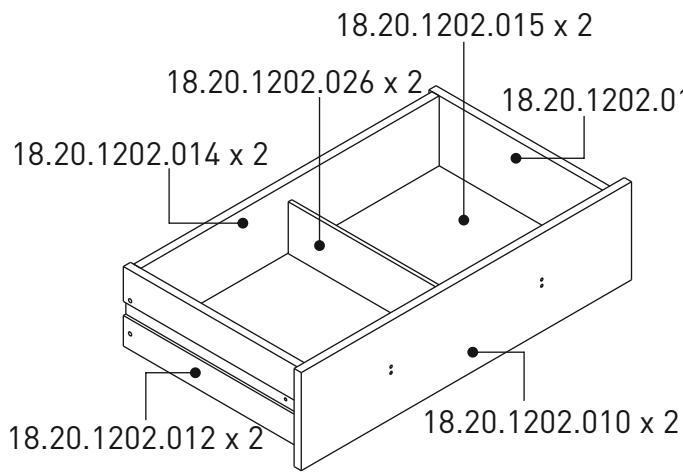
1/2



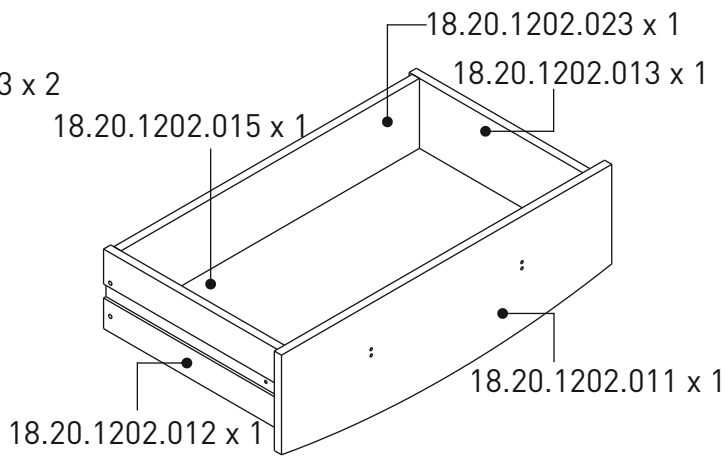
18.20.1202.027 x 1



13.01.01.283 x 4

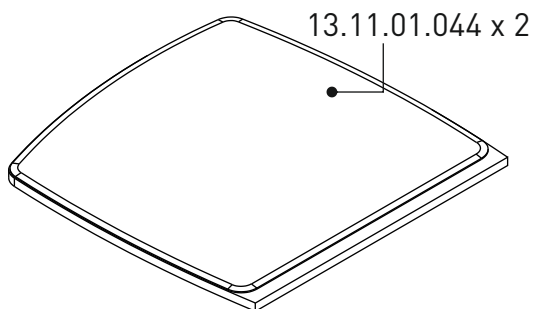
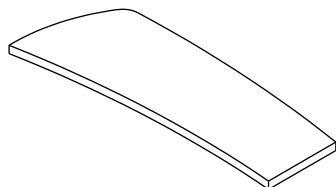
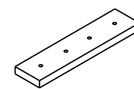
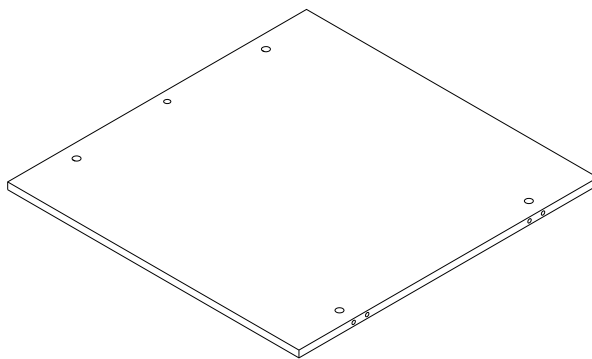
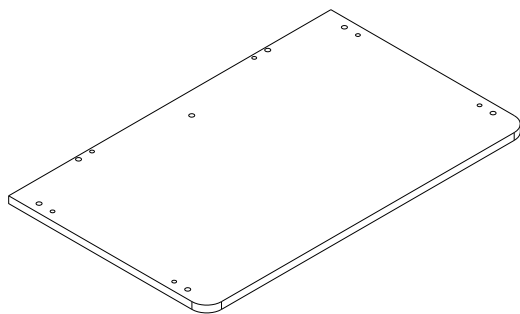
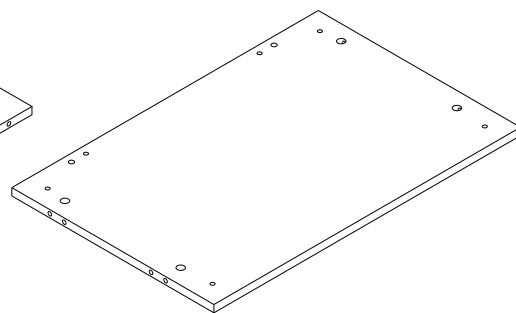
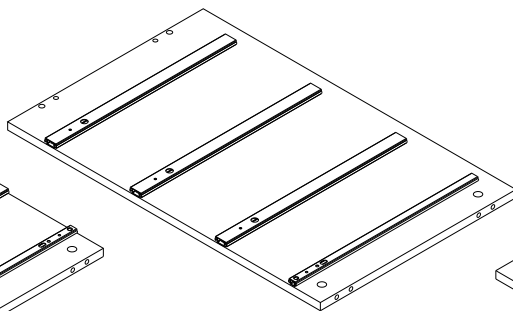
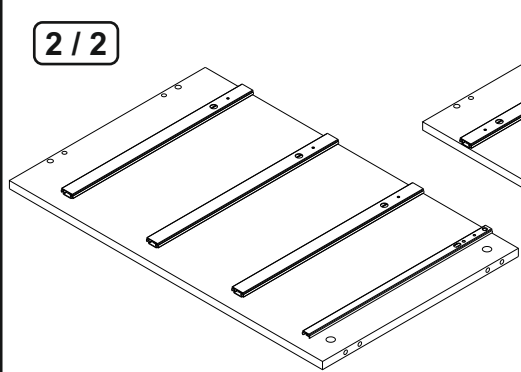


18.20.1201.021 x 2

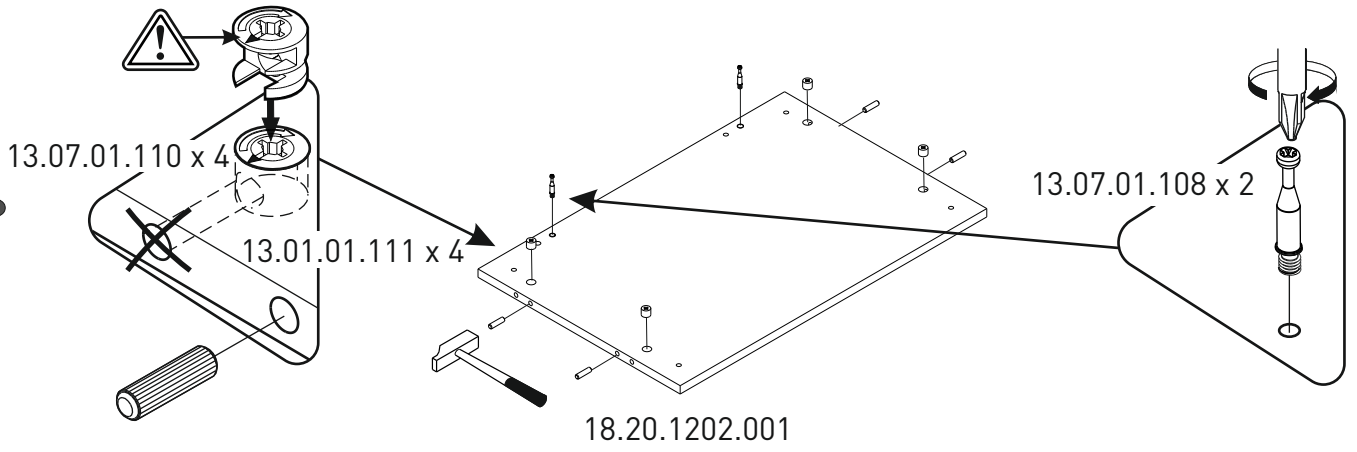


18.20.1201.022 x 1

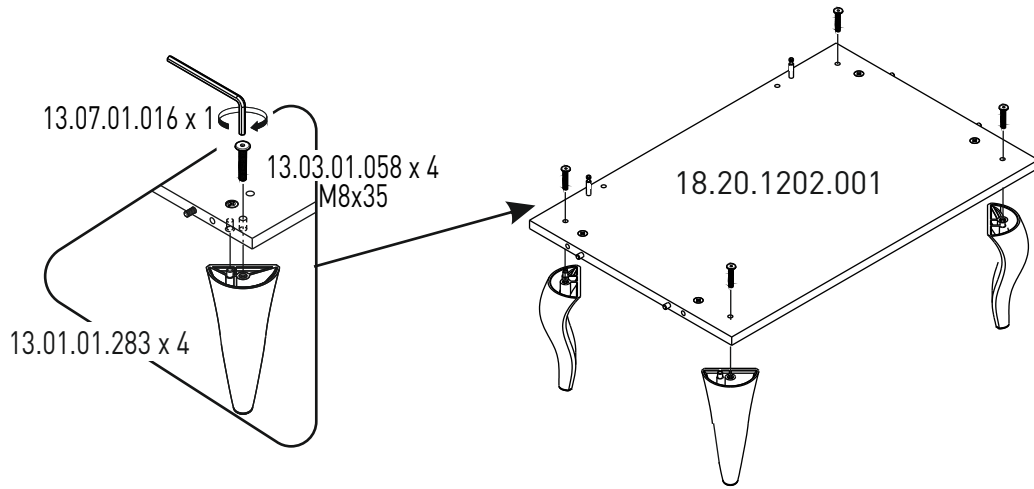
2 / 2



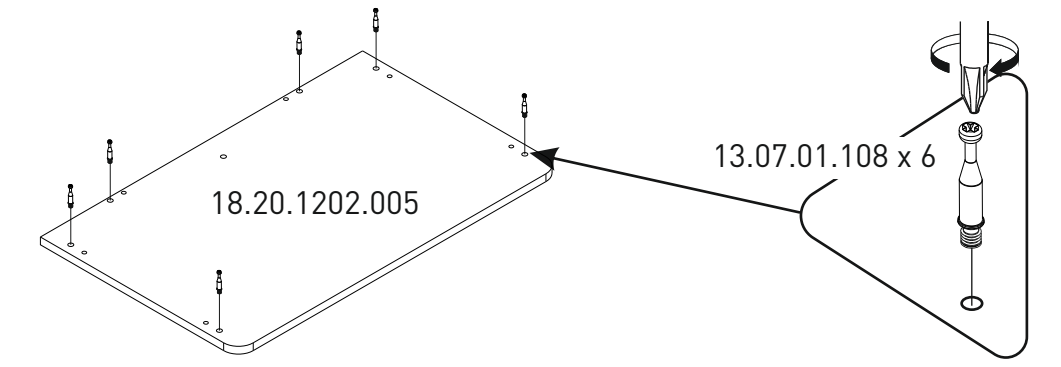
1



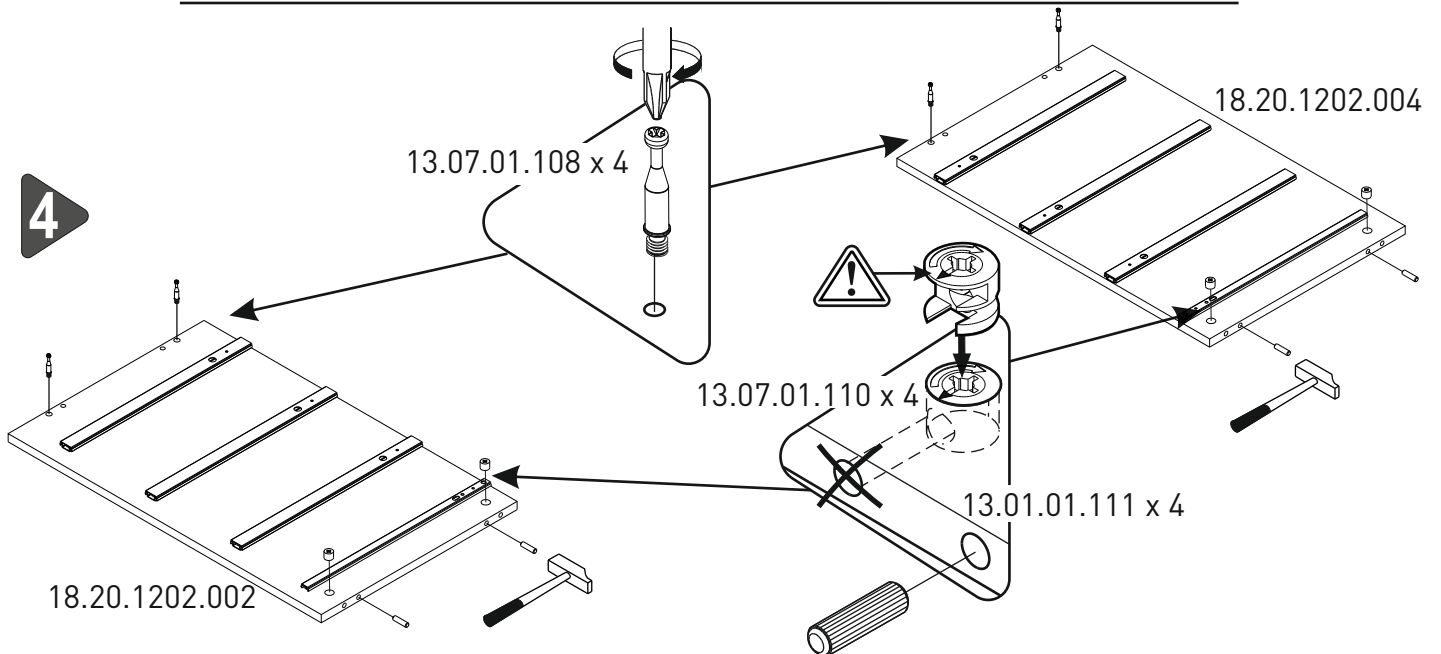
2



3



4

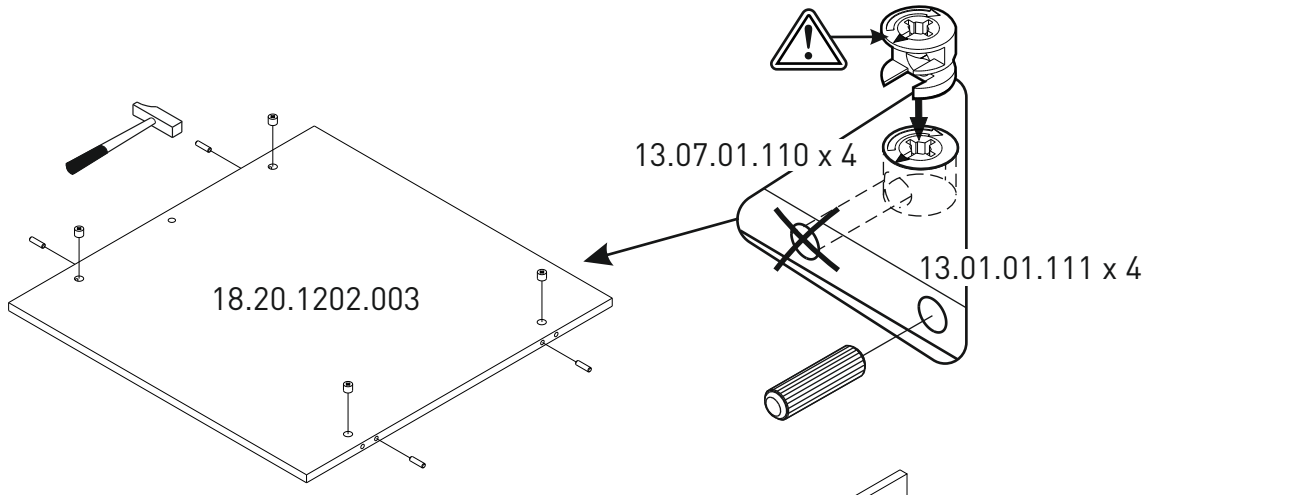
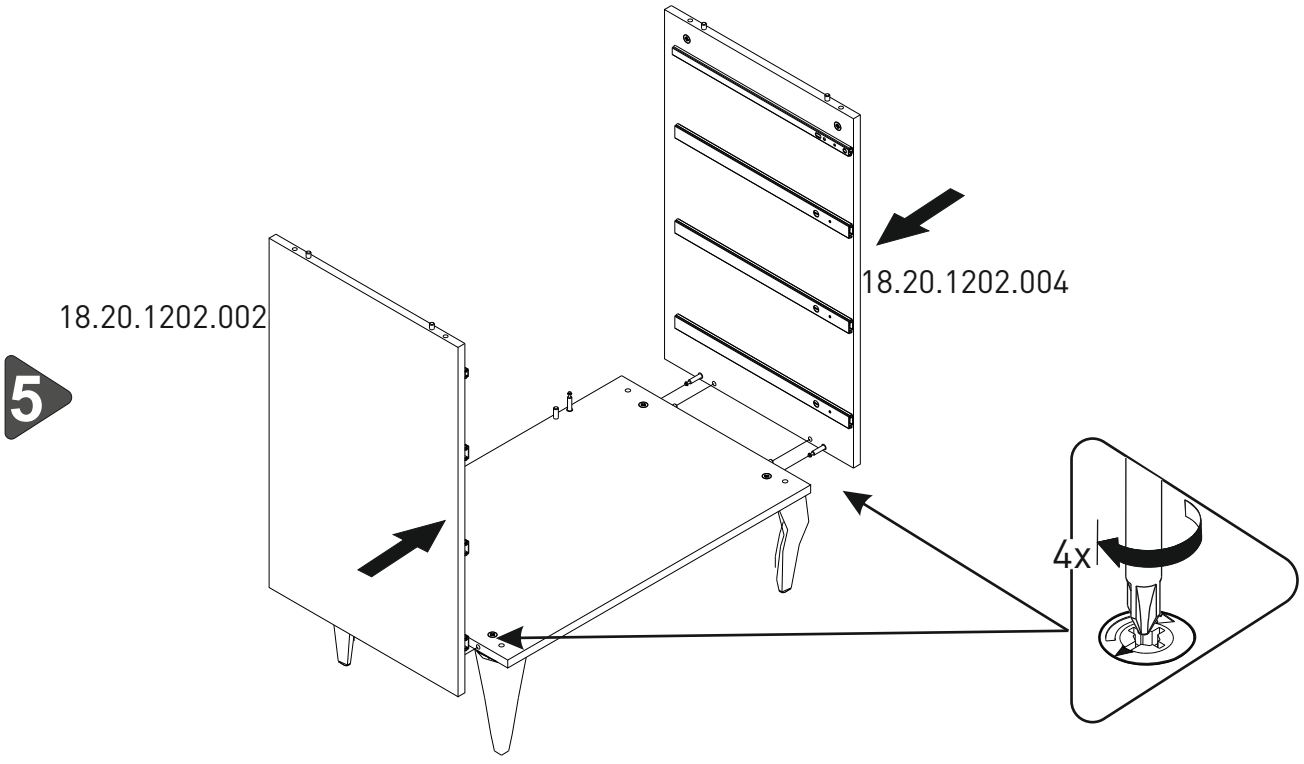


5

18.20.1202.002

18.20.1202.004

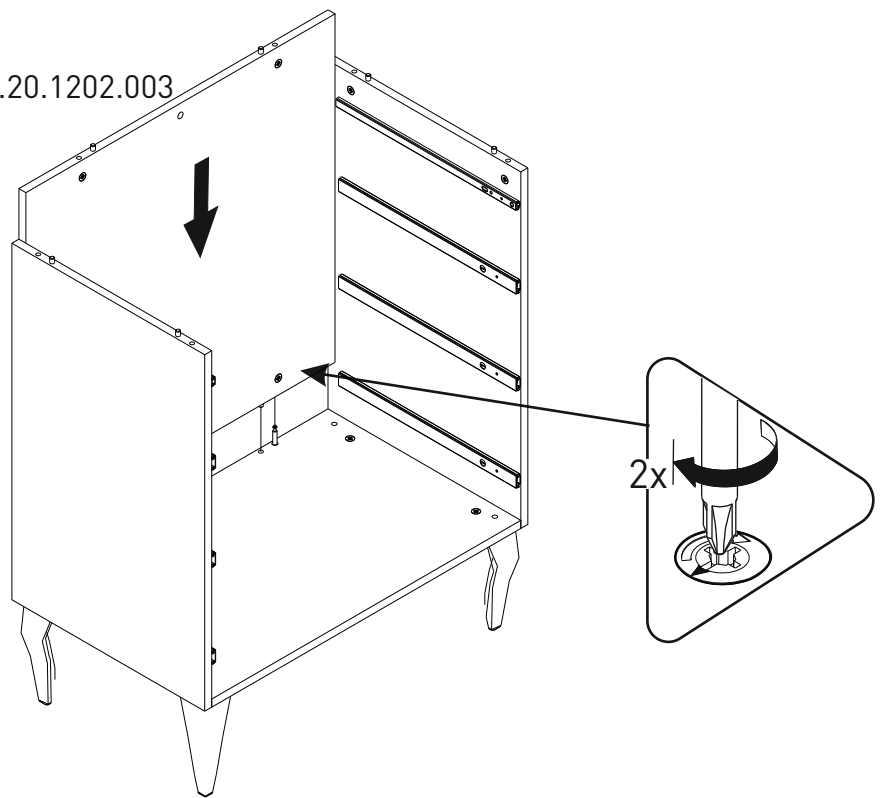
4x



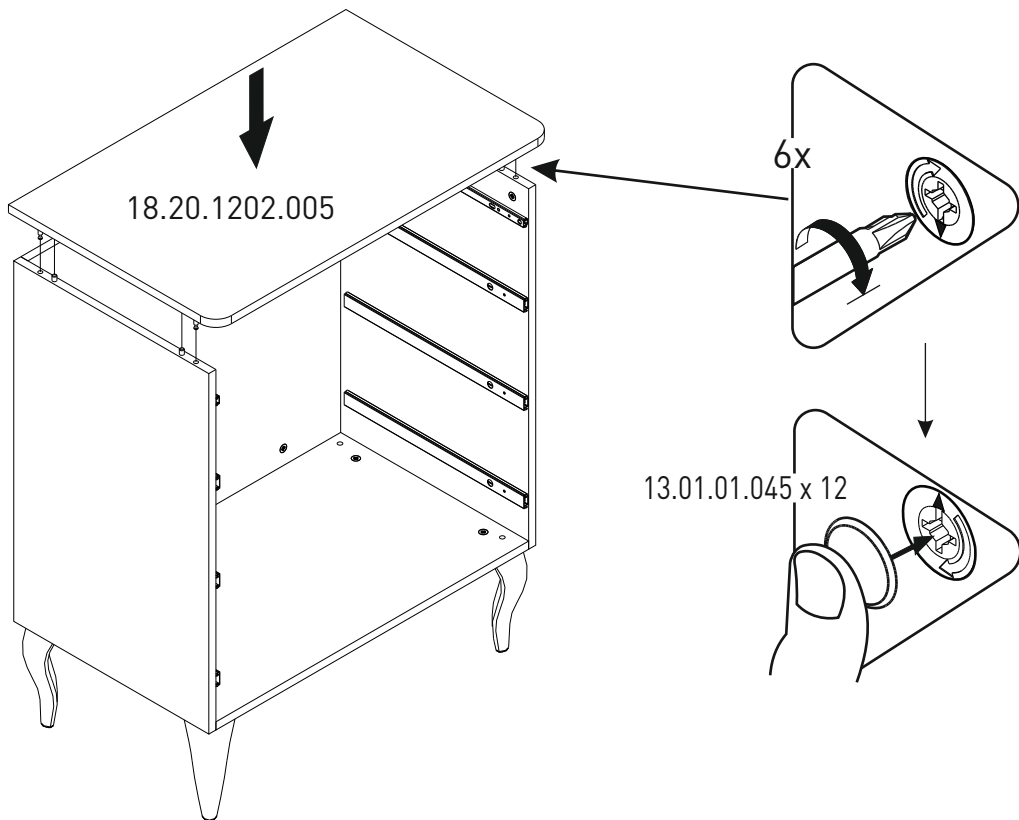
6

18.20.1202.003

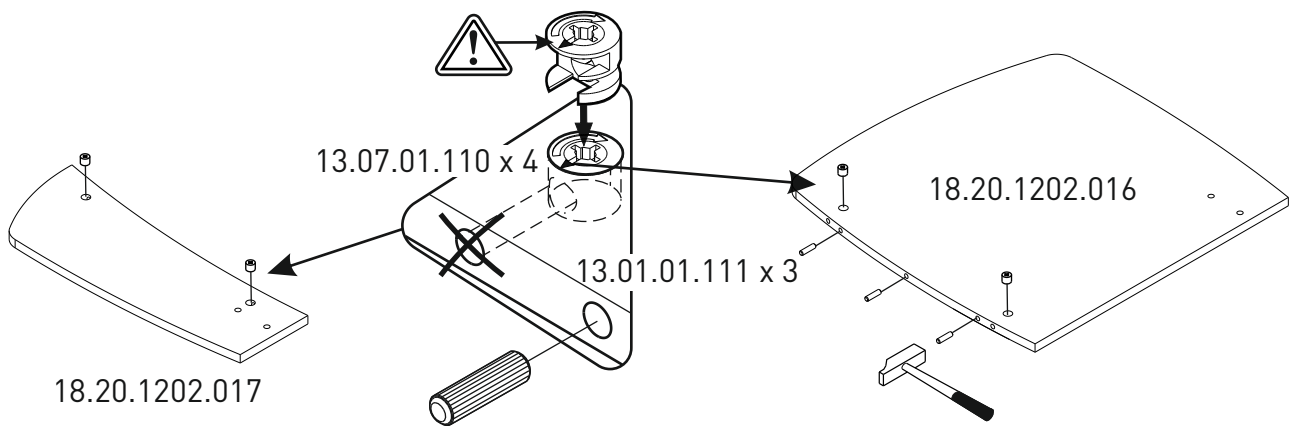
2x



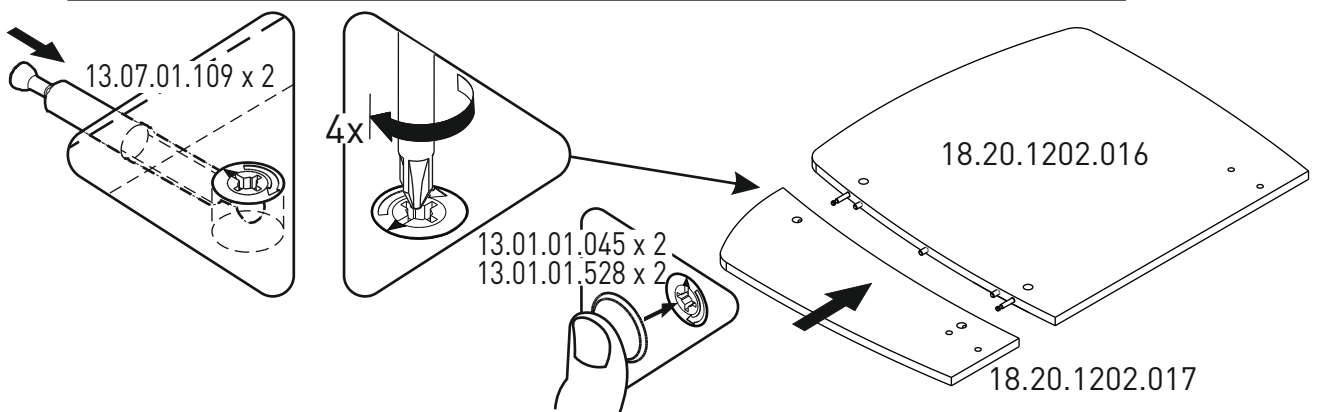
7



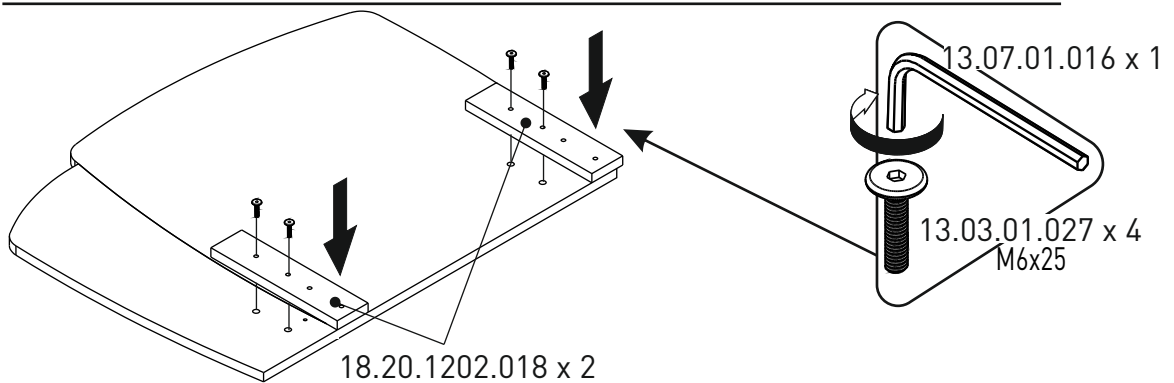
8



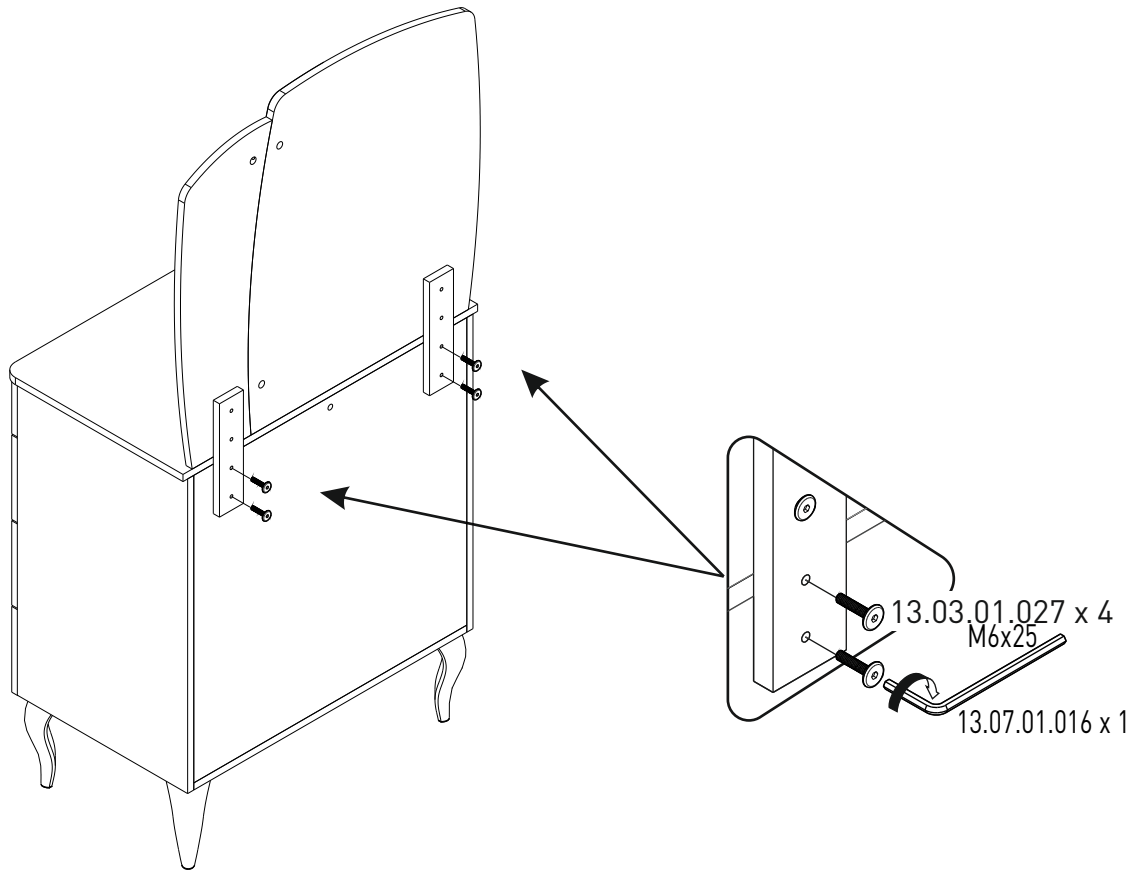
9



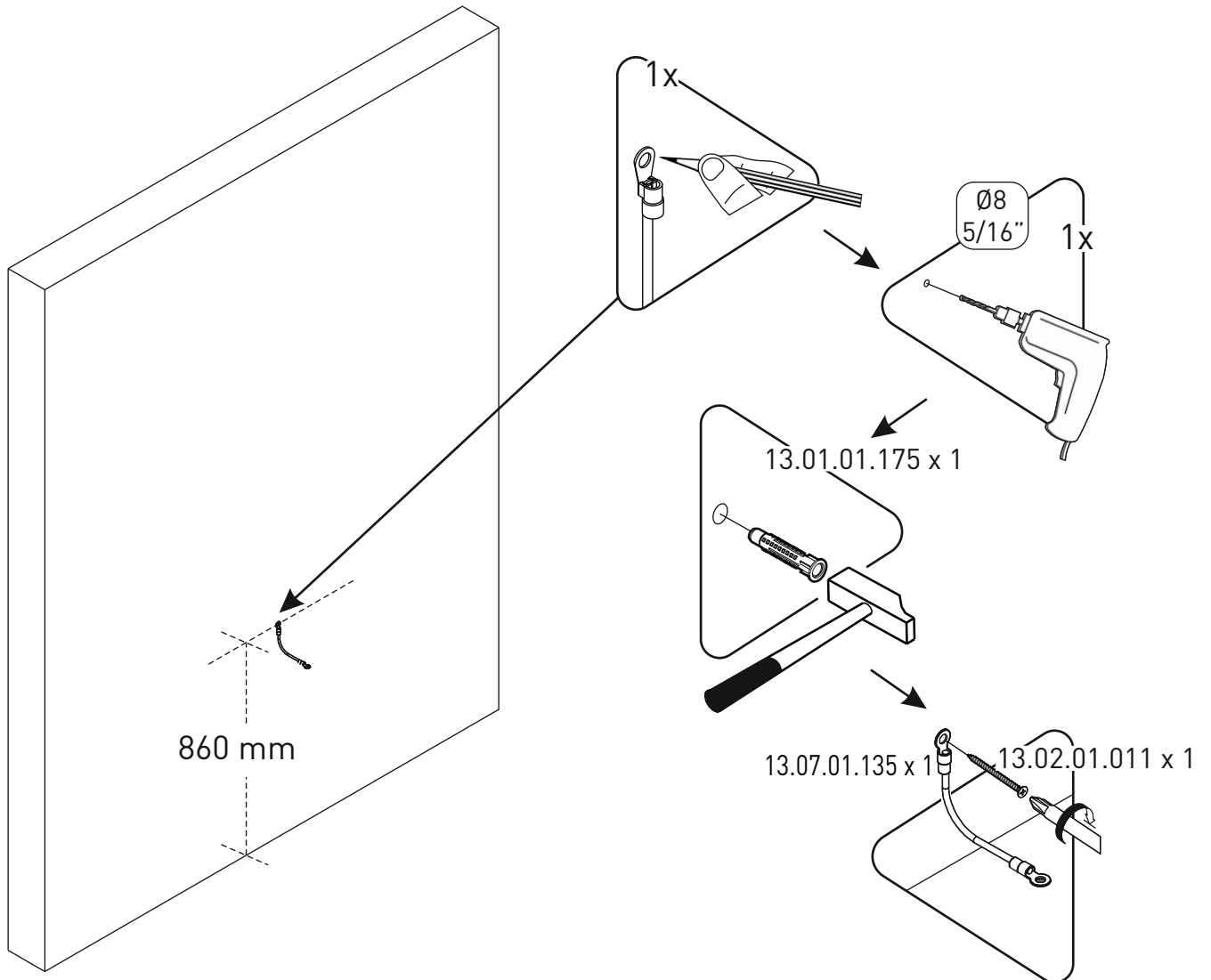
10



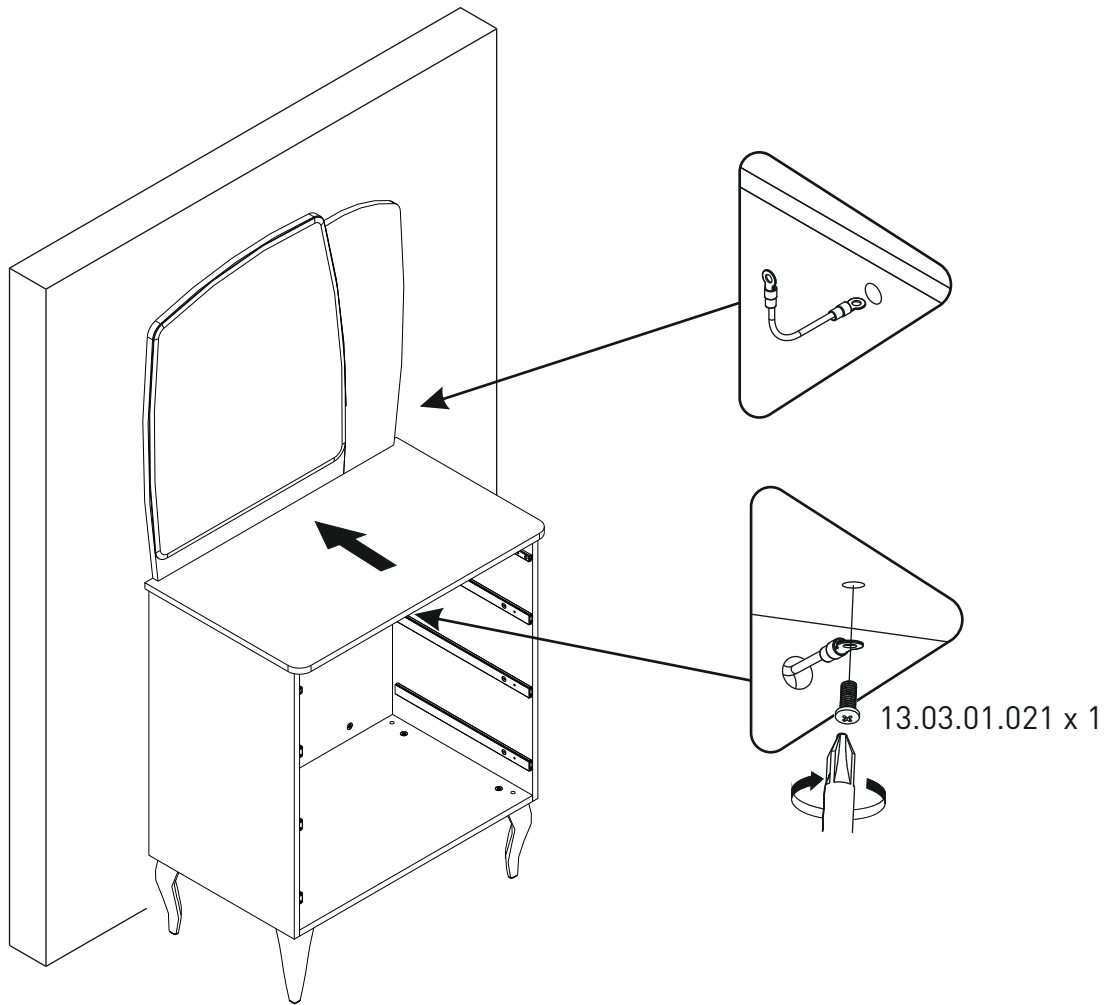
11



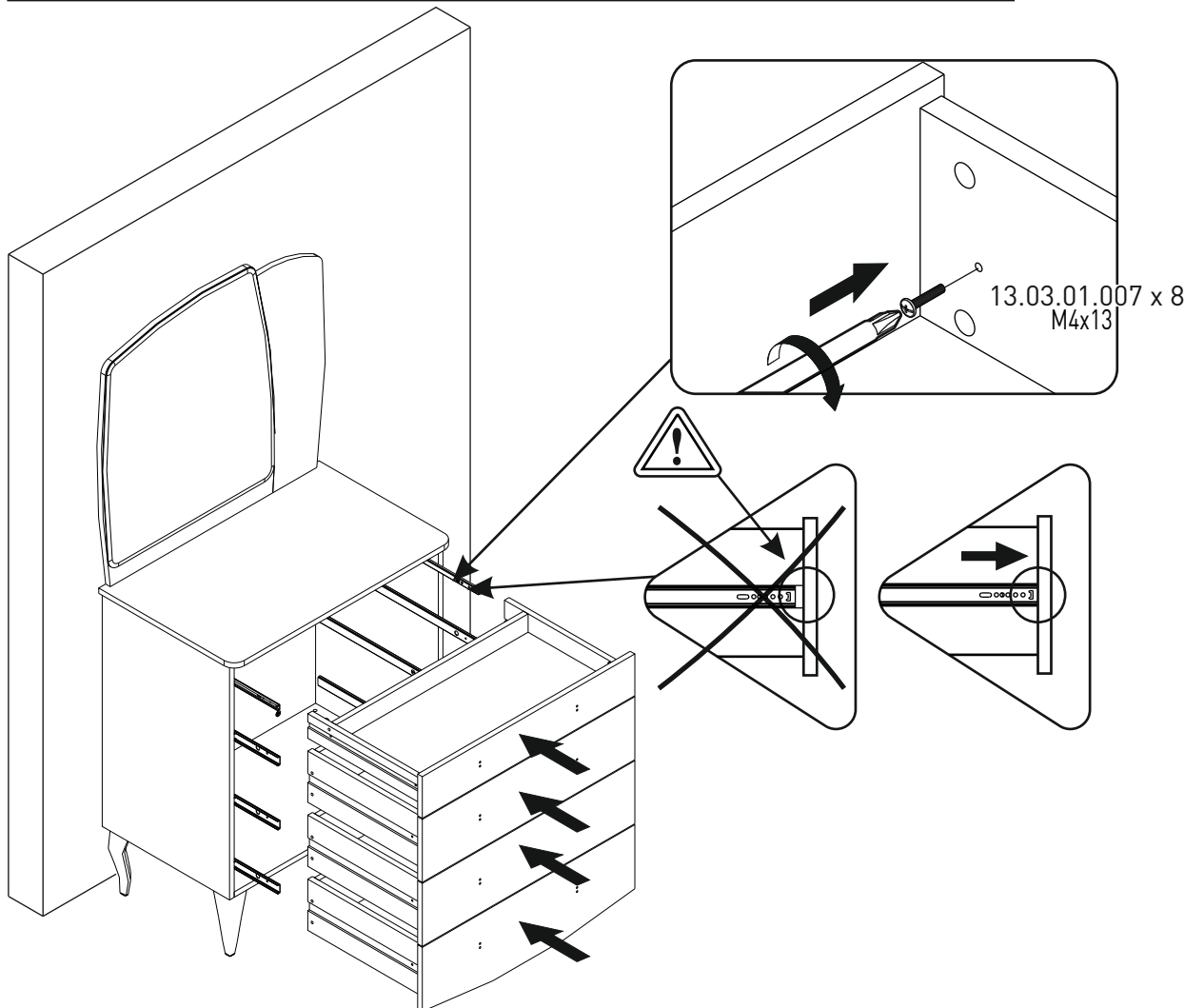
12



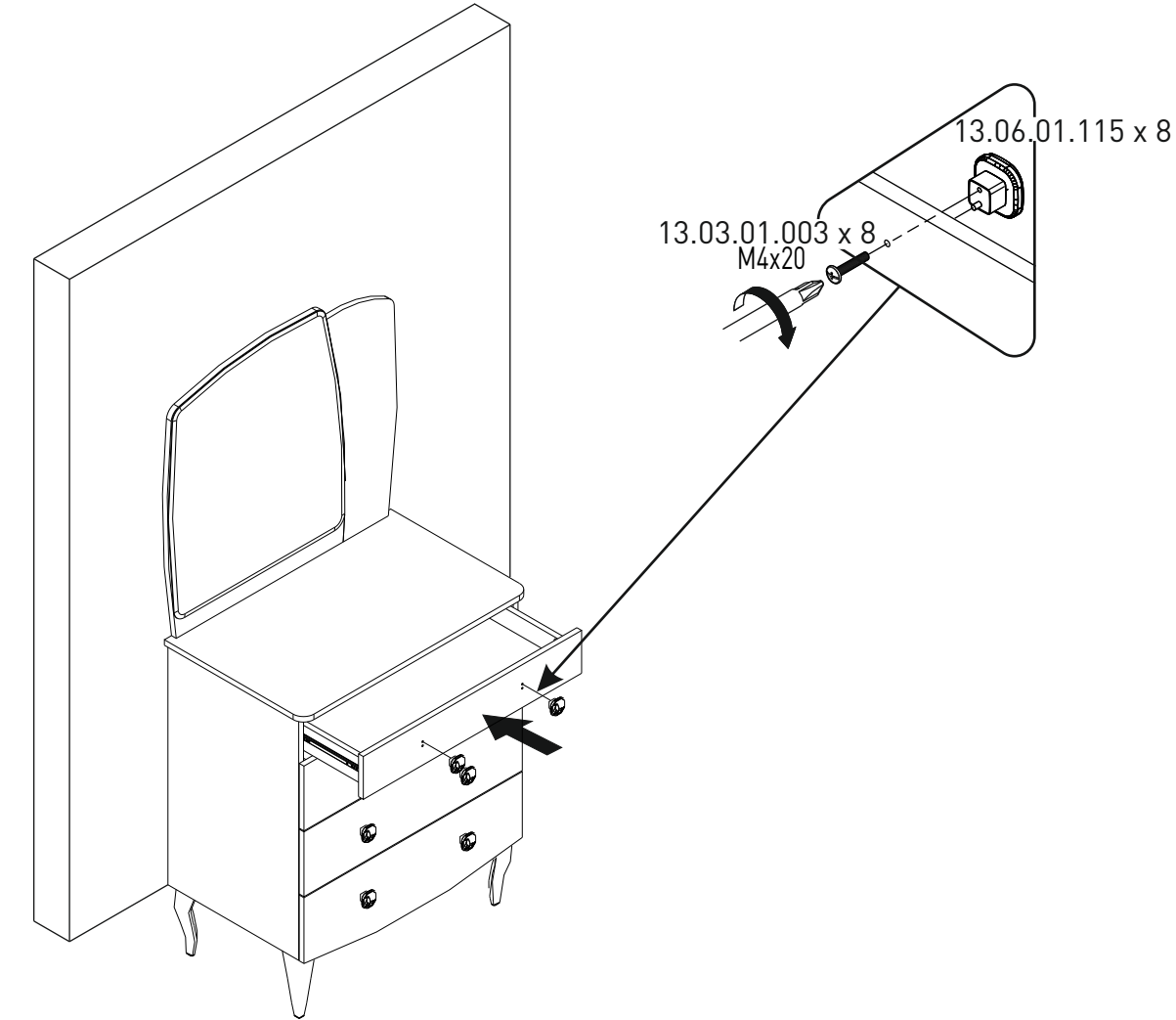
13



14



15



16

