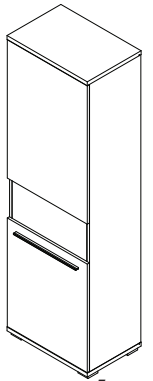
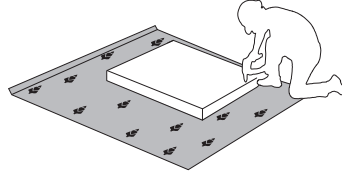
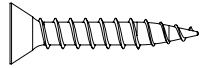
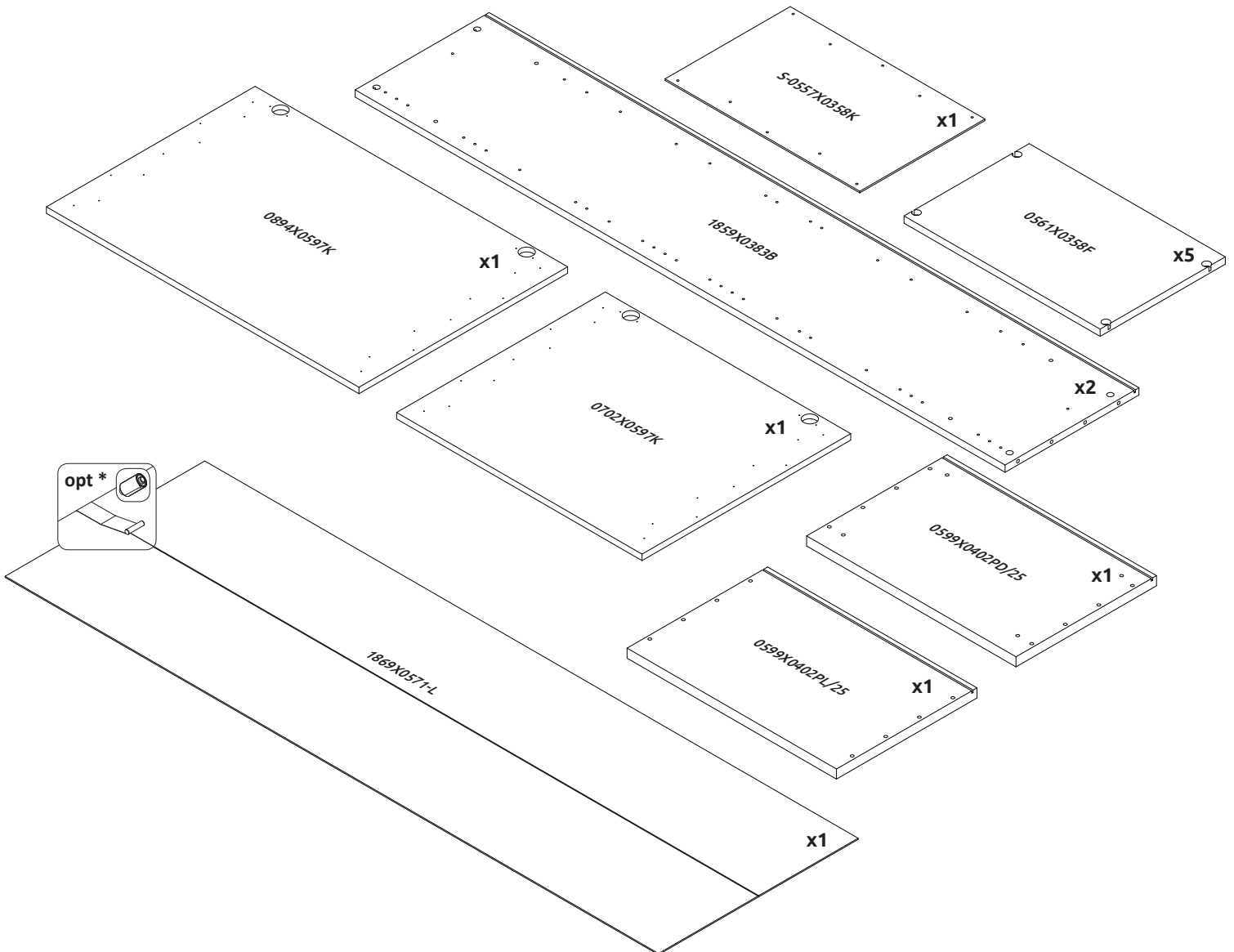


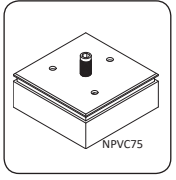
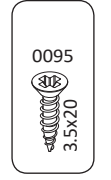
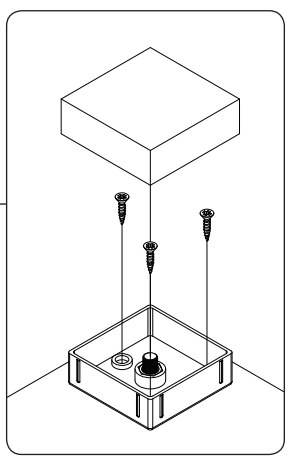
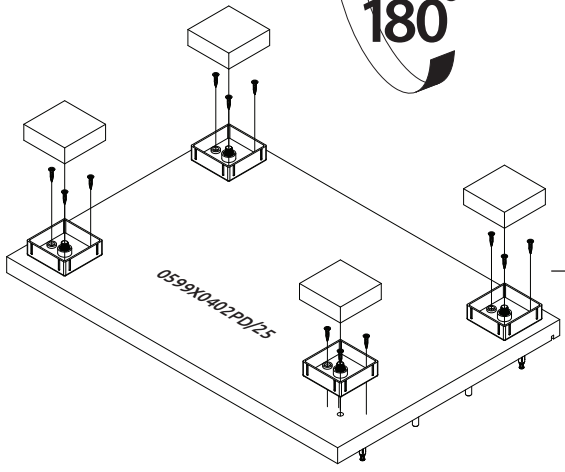
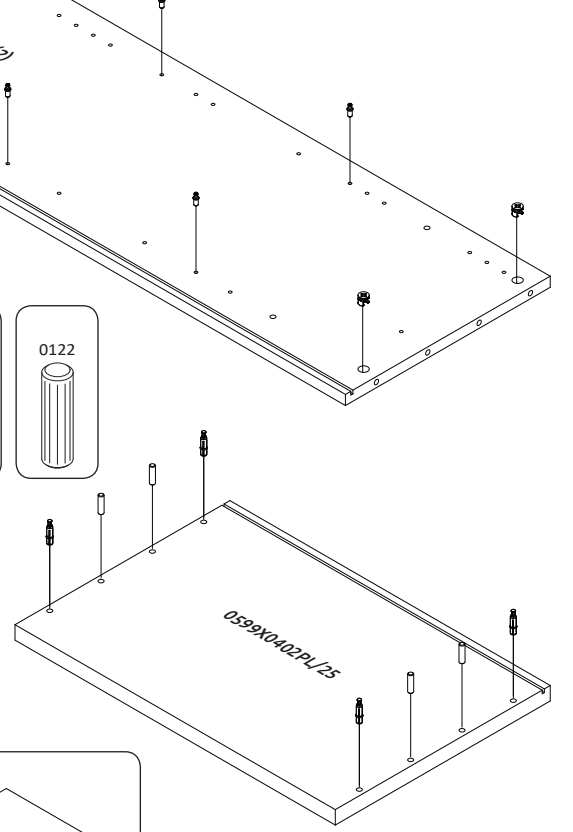
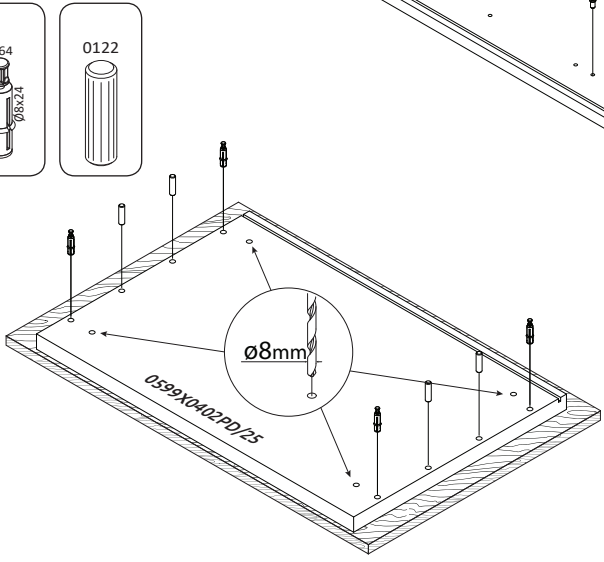
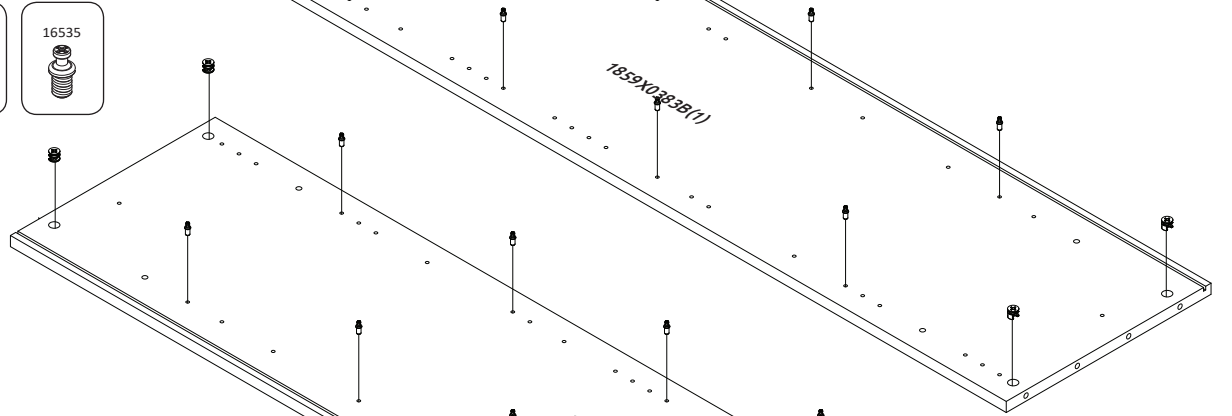
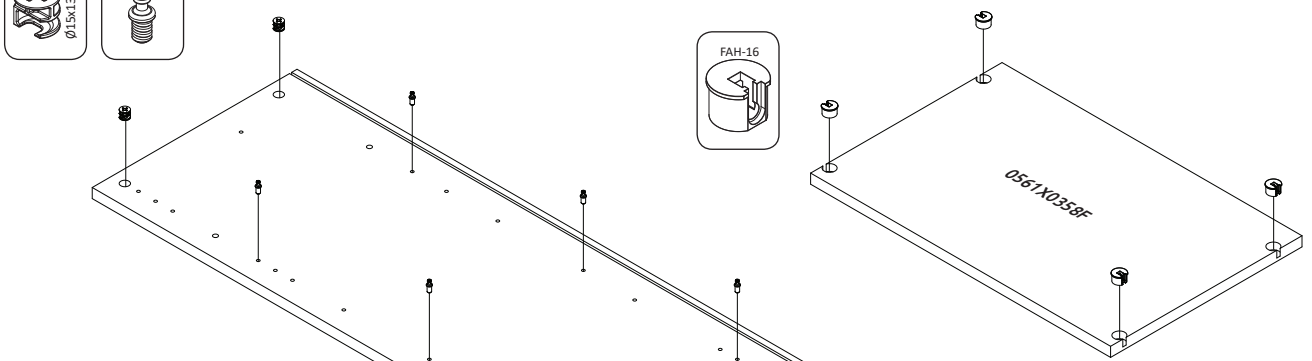
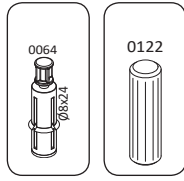
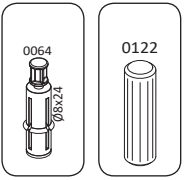
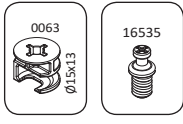
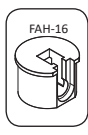
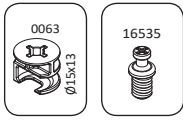
IMPORTANT - READ CAREFULLY - RETAIN FOR FUTURE REFERENCE  
 WICHTIG - SORGFÄLTIG LESEN UND AUFBEWAHREN

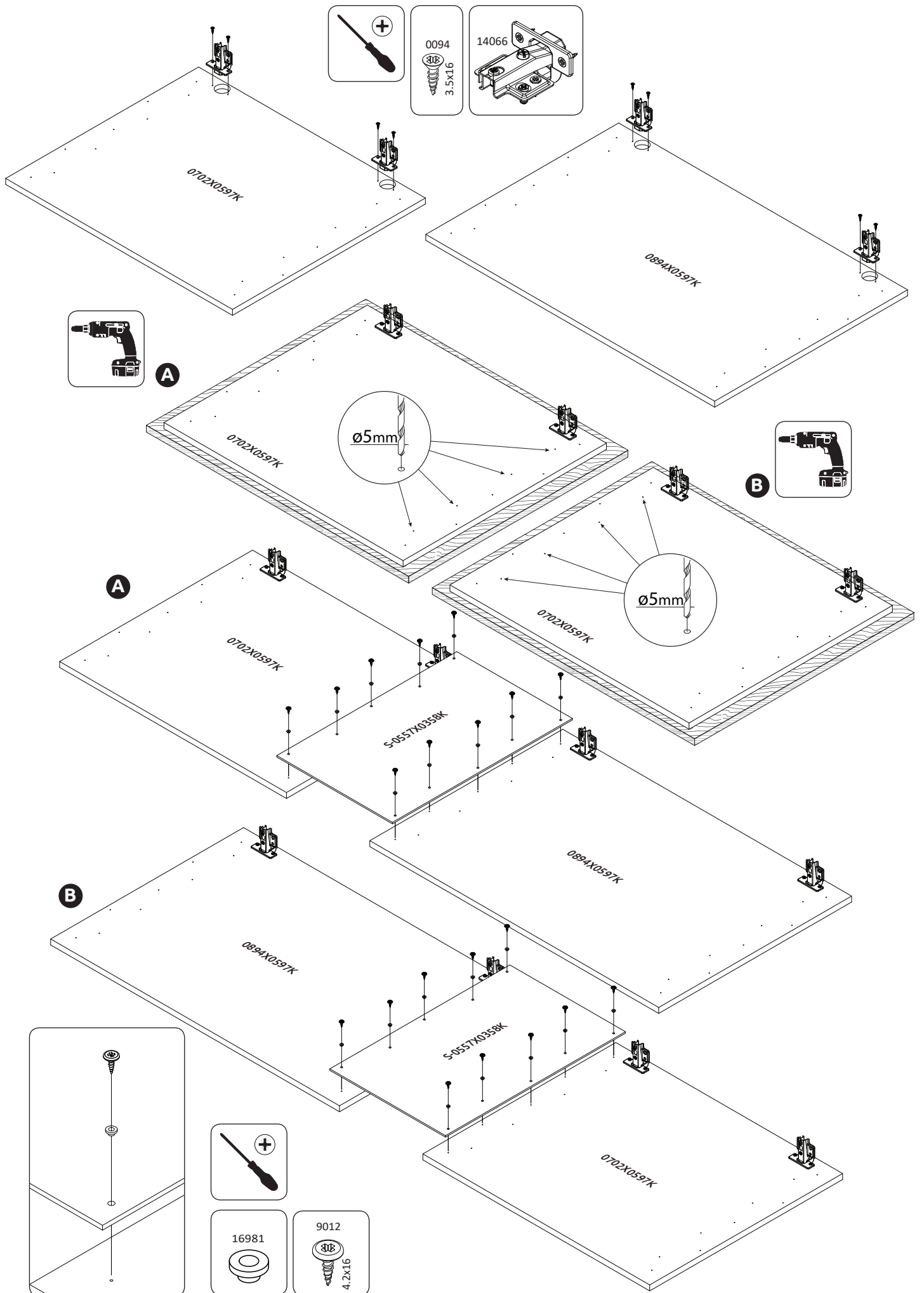


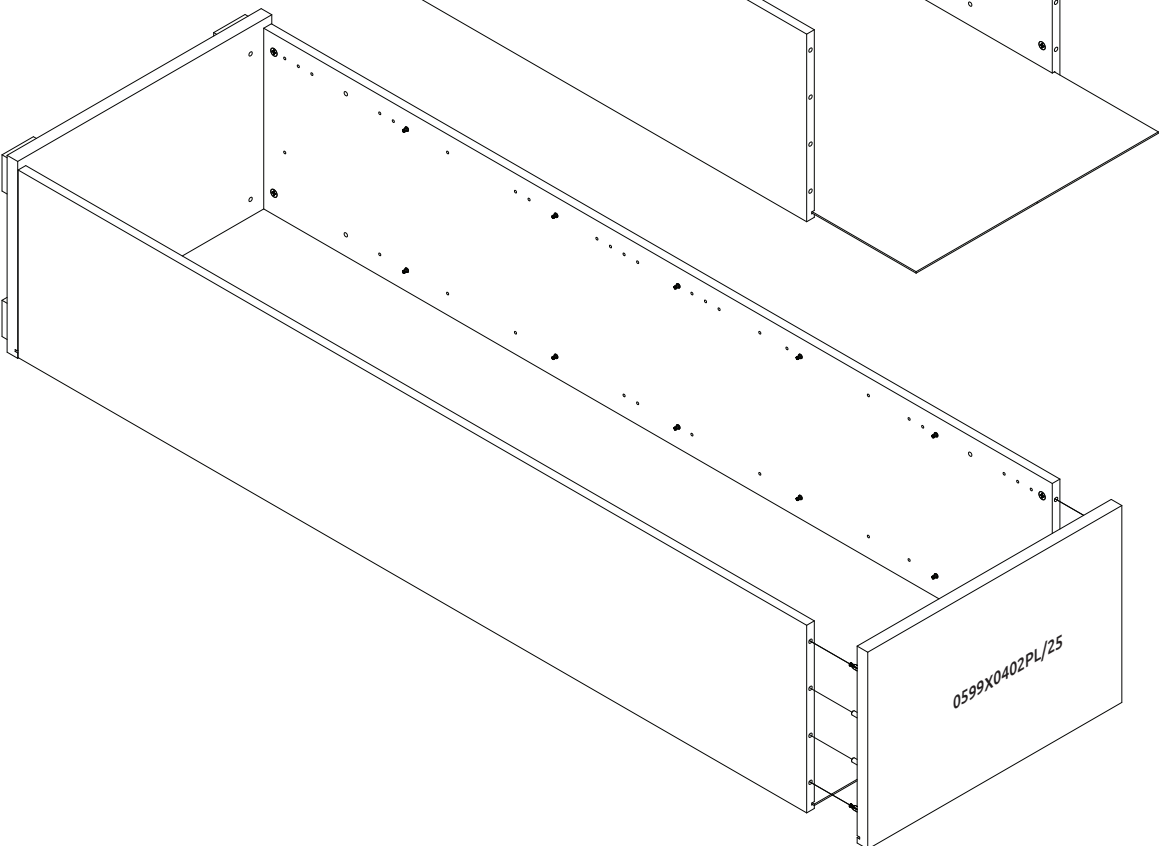
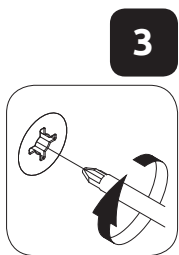
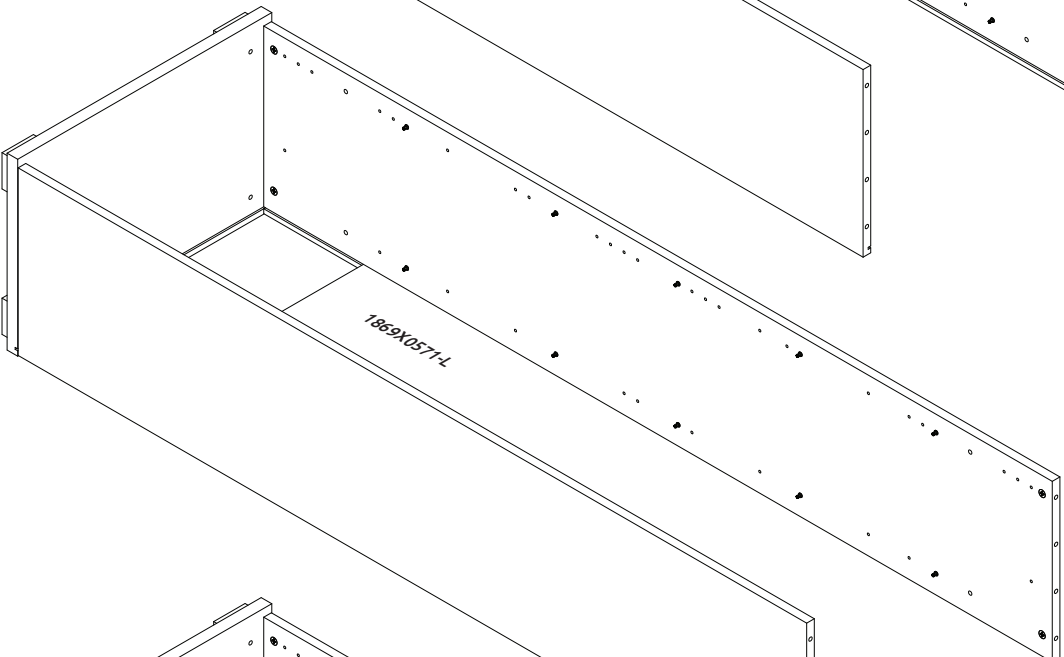
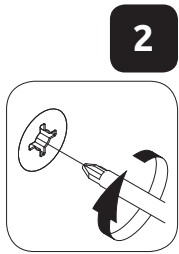
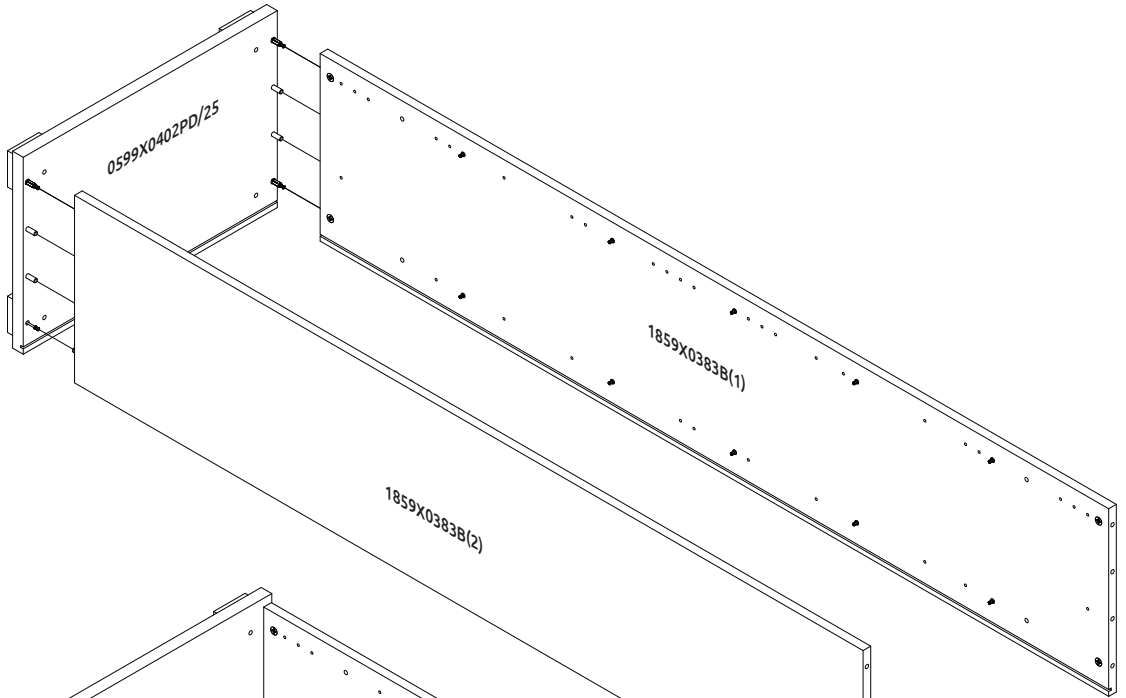
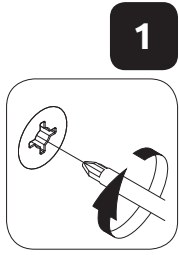
**V60XV-1KS/PN**  
 LWH - 599x402x1934

- |                               |                           |                              |                             |                    |                            |                     |                             |                    |                   |                     |                    |                    |
|-------------------------------|---------------------------|------------------------------|-----------------------------|--------------------|----------------------------|---------------------|-----------------------------|--------------------|-------------------|---------------------|--------------------|--------------------|
| <b>x10</b><br>9012<br>4.2x1.6 | <b>x2</b><br>0096<br>4x18 | <b>x12</b><br>0095<br>3.5x20 | <b>x4</b><br>32256<br>V4x23 | <b>x8</b><br>0122  | <b>x8</b><br>0064<br>Ø8x24 | <b>x20</b><br>16535 | <b>x8</b><br>0063<br>Ø15x13 | <b>x8</b><br>EKSK4 | <b>x2</b><br>6319 | <b>x10</b><br>16981 | <b>x12</b><br>0108 | <b>x12</b><br>CEP8 |
| <b>x1</b><br>0121<br>1.4x2.5  | <b>x20</b><br>FAH-16      | <b>x1</b><br>30820           | <b>x4</b><br>NPVC75         | <b>x4</b><br>14066 | <b>x1</b><br>10397         |                     |                             |                    |                   |                     |                    |                    |

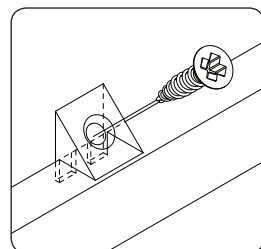
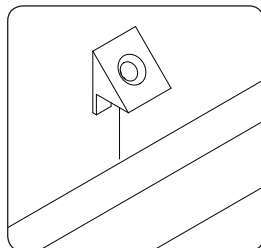
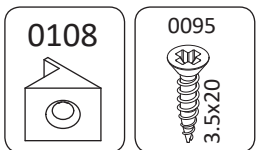
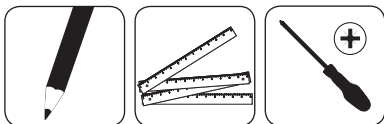
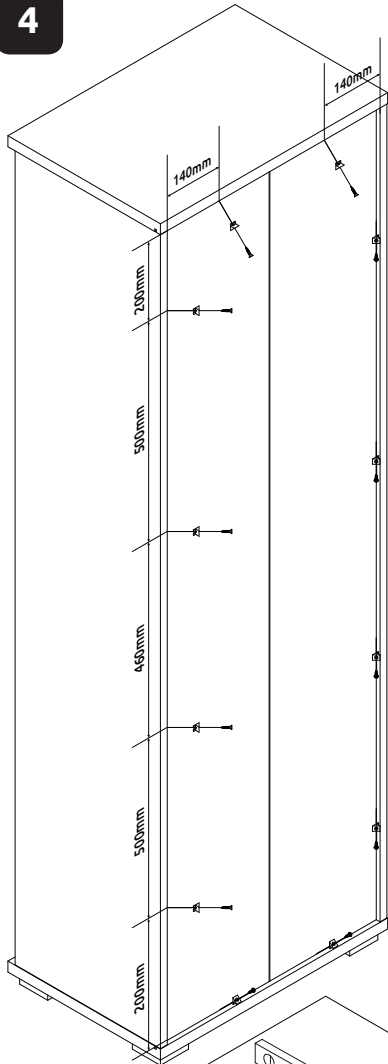




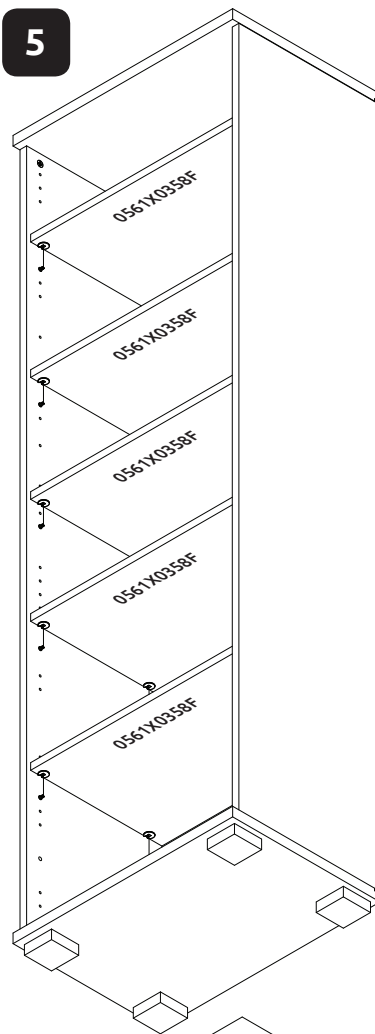




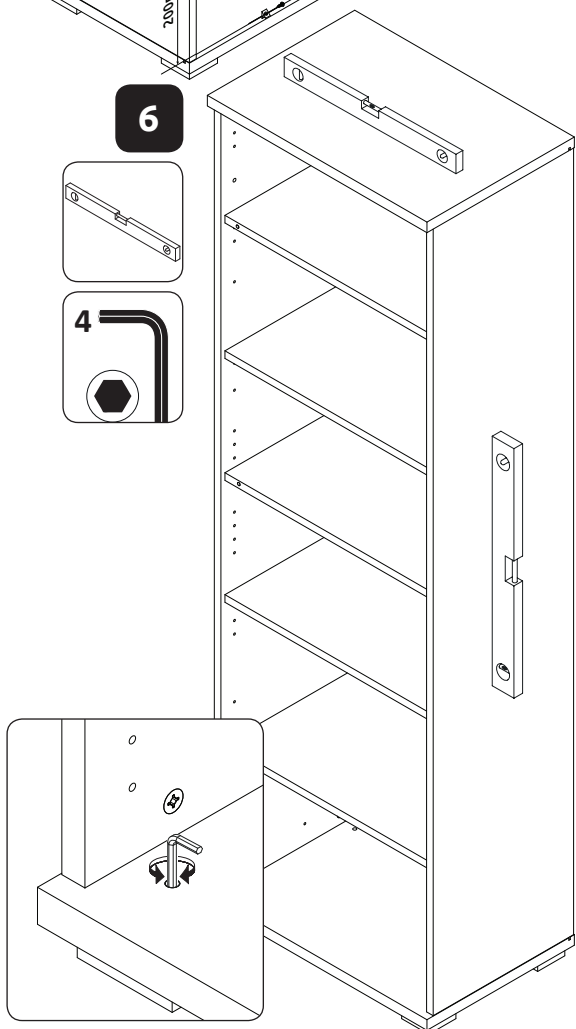
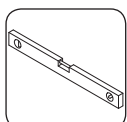
4



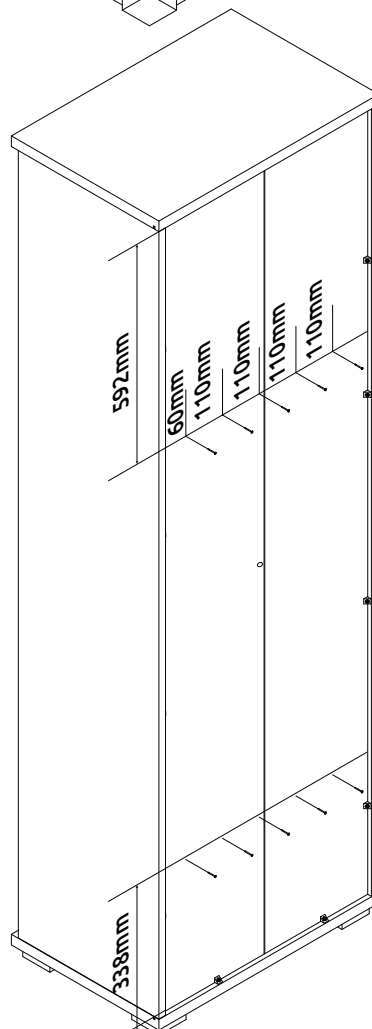
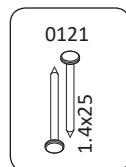
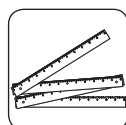
5



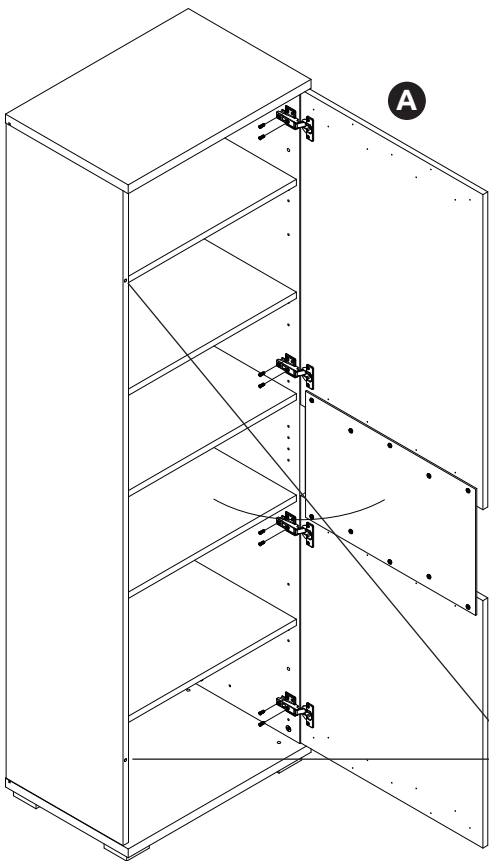
6



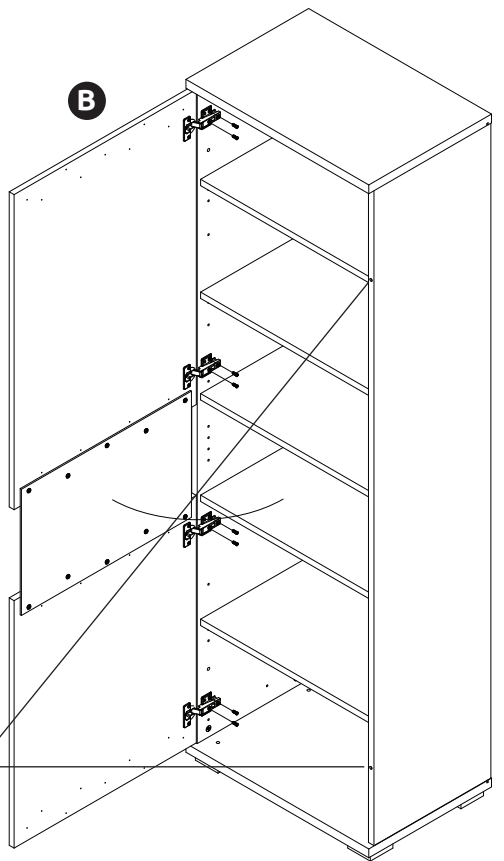
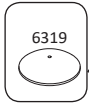
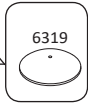
7



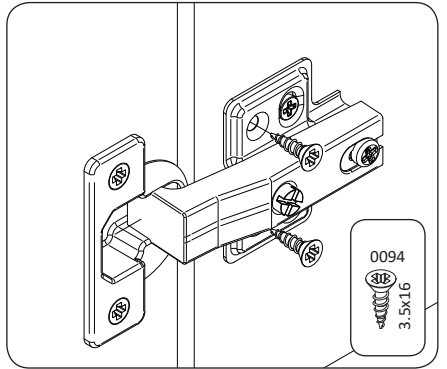
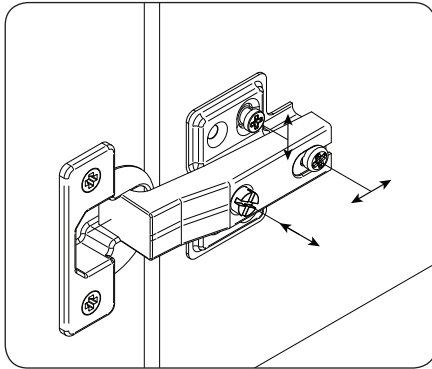
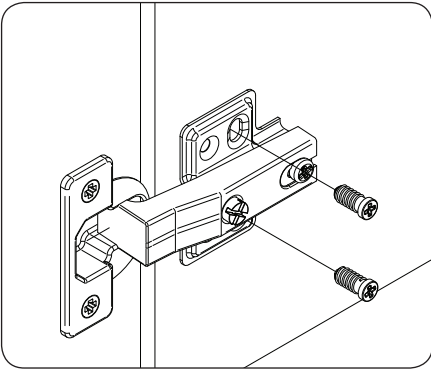
8



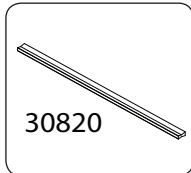
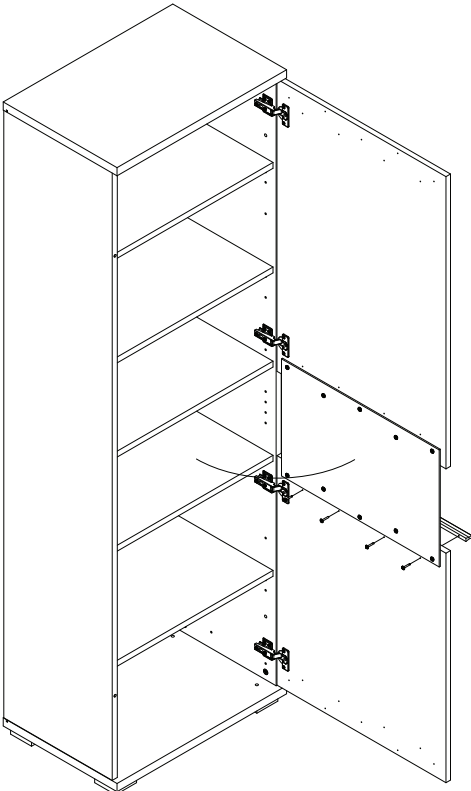
A



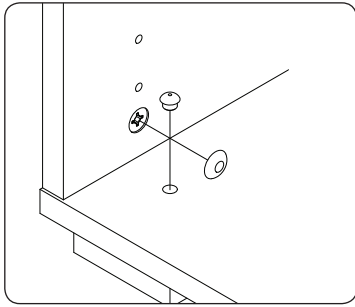
B



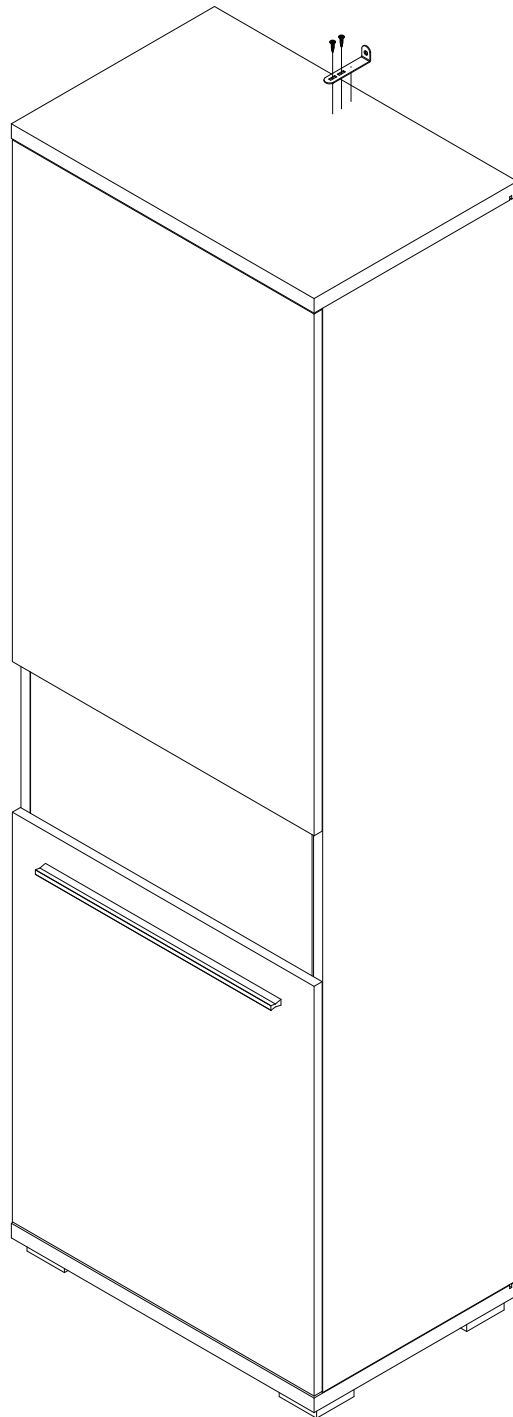
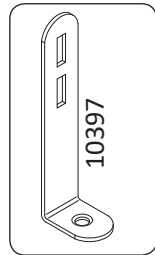
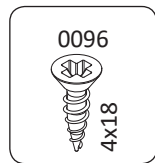
9



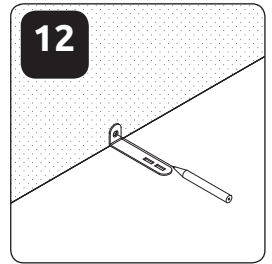
10



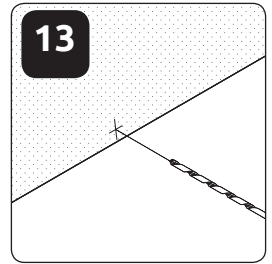
11



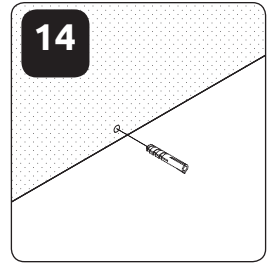
12



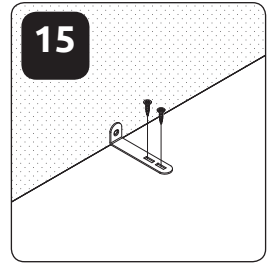
13



14



15



16

