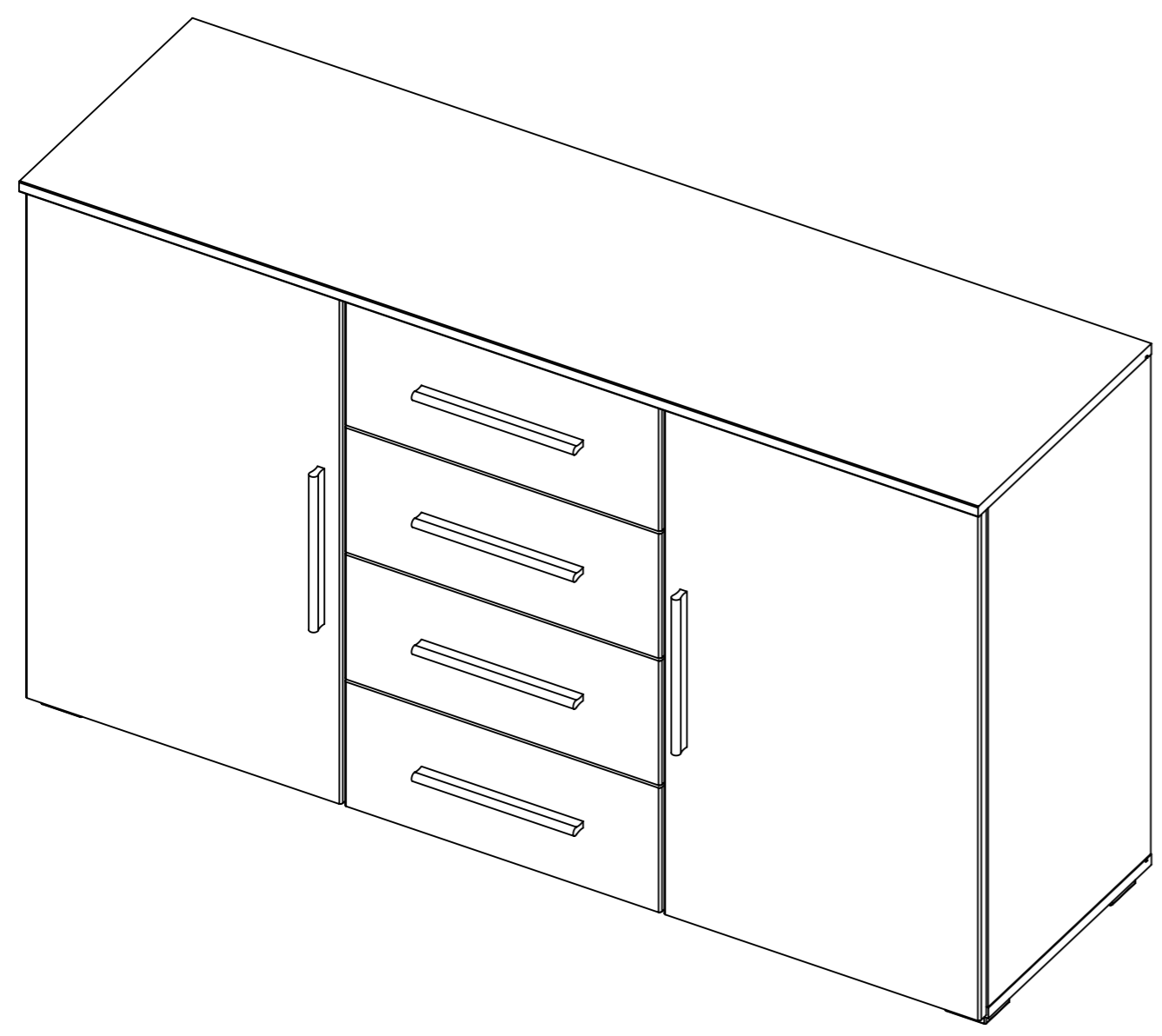
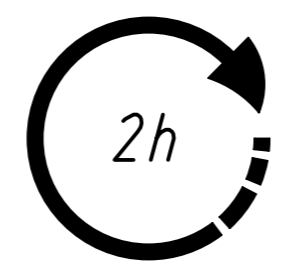
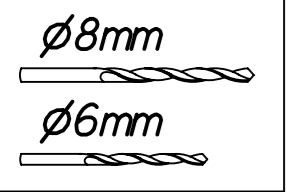
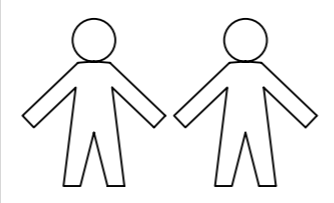
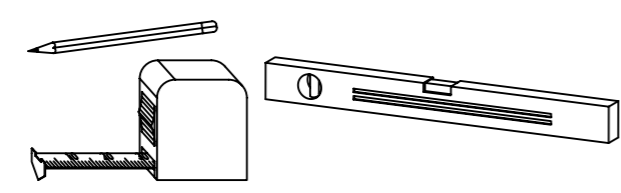
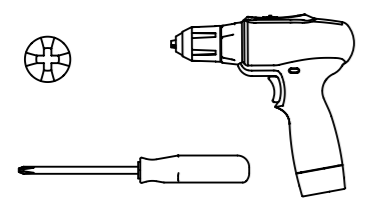


1.

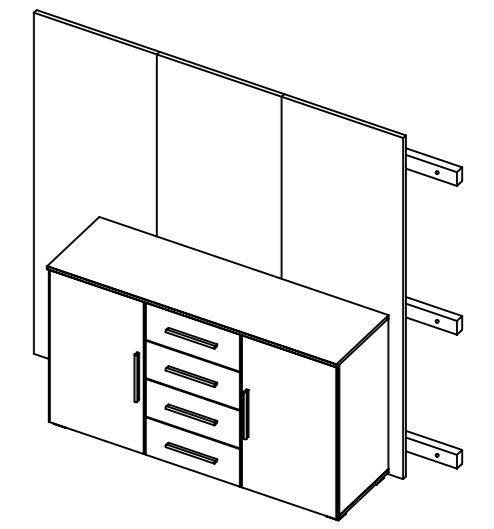
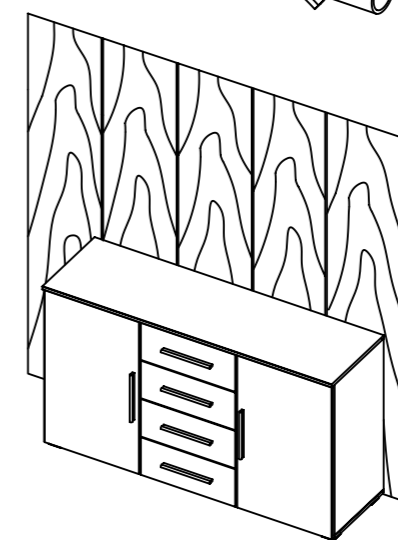
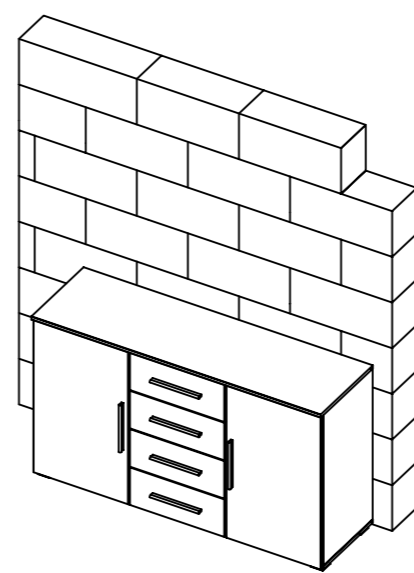
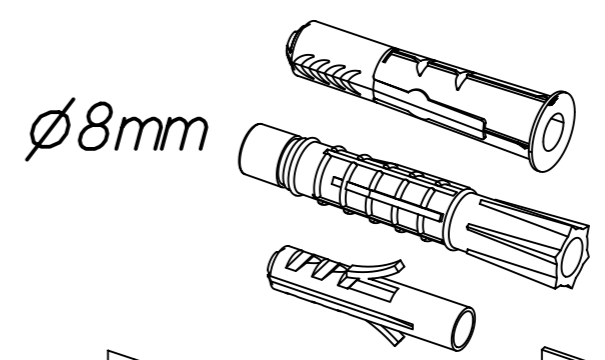
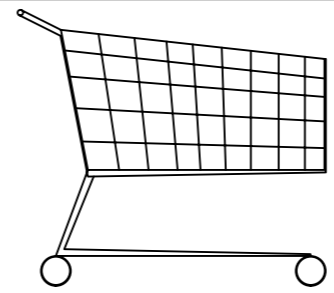
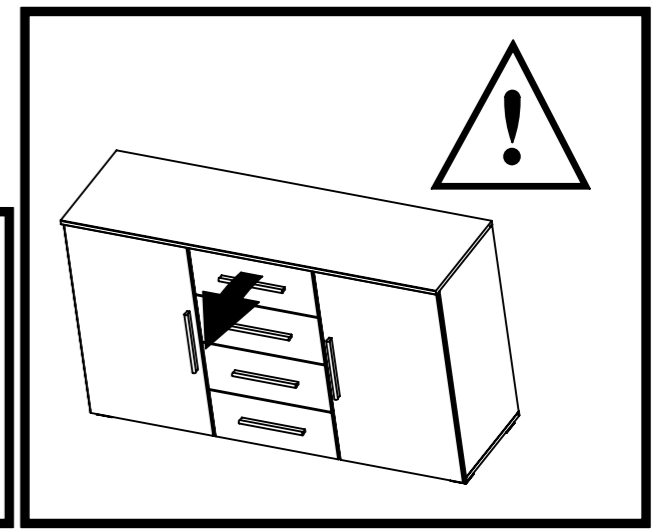
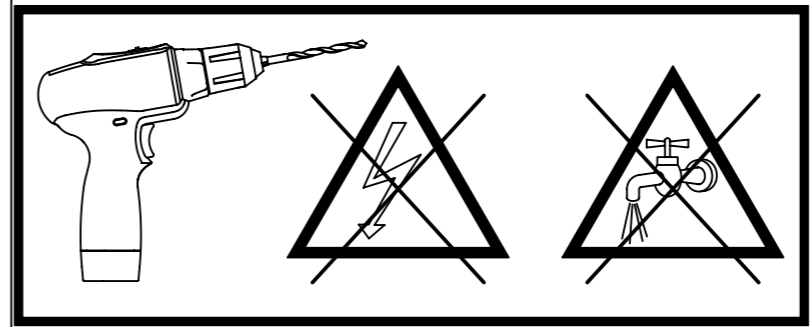
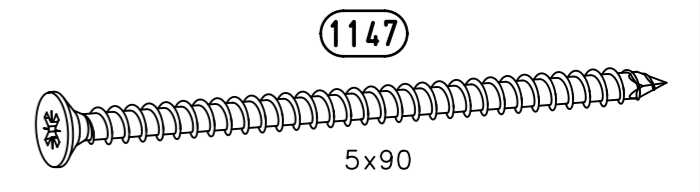
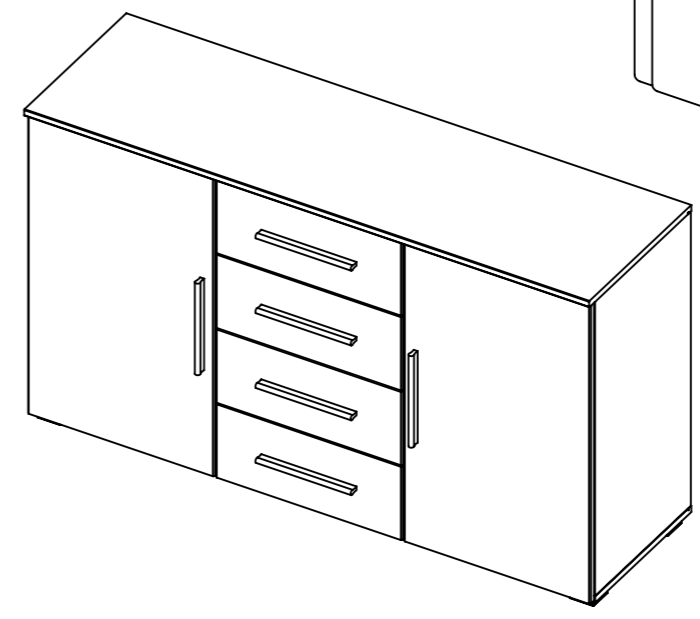
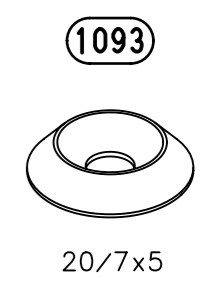
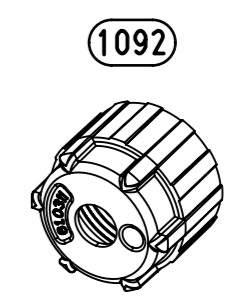
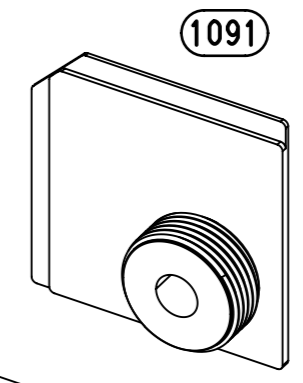
M2115_03

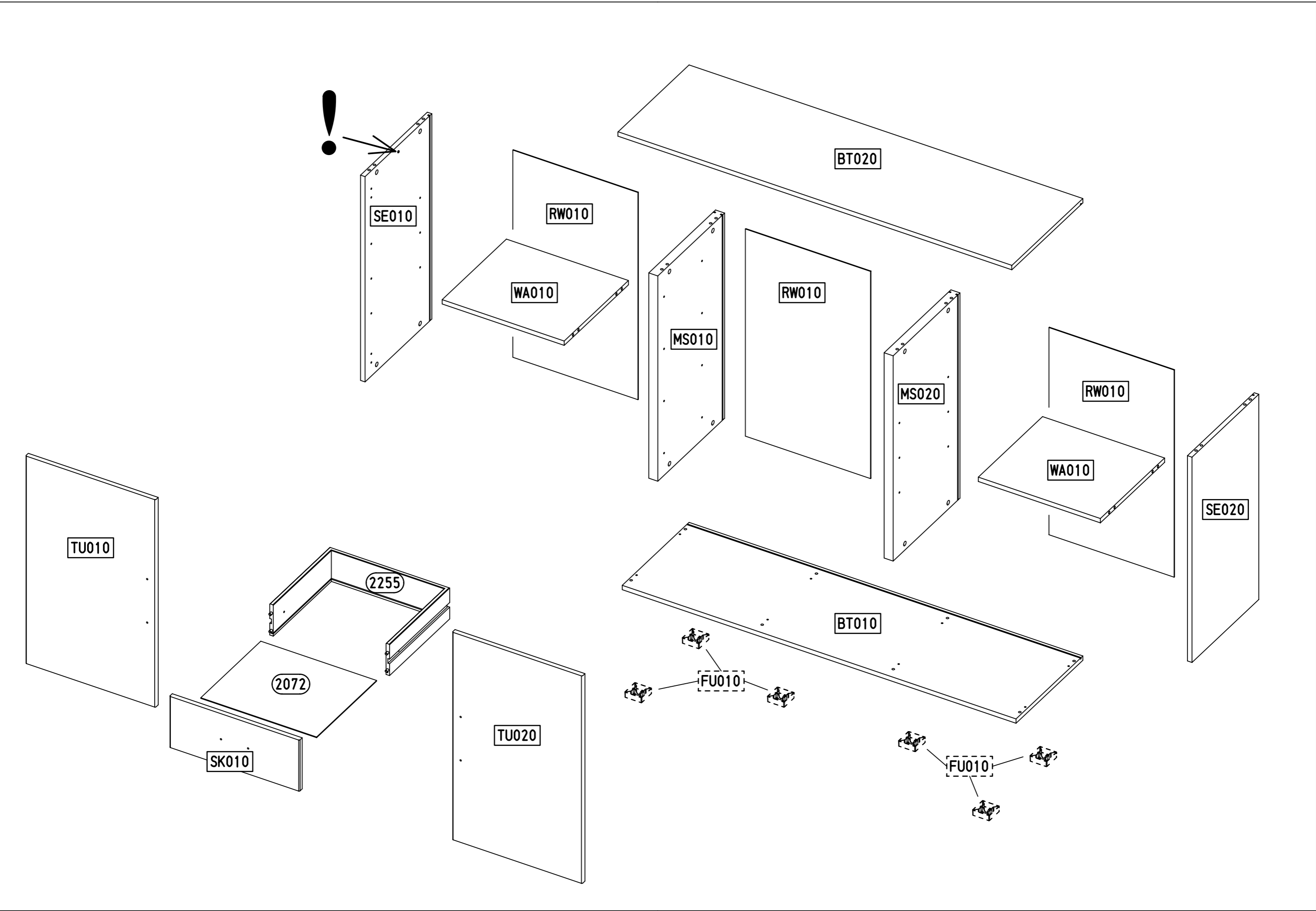
rauch

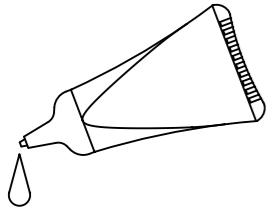
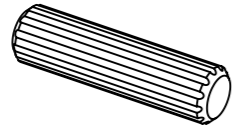
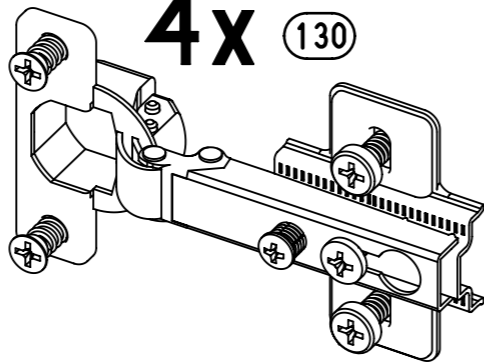
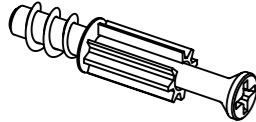

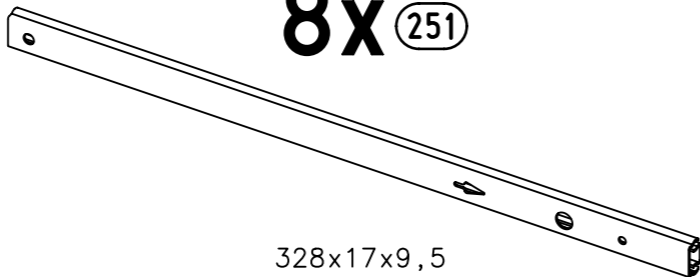


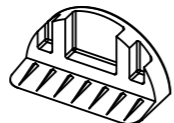



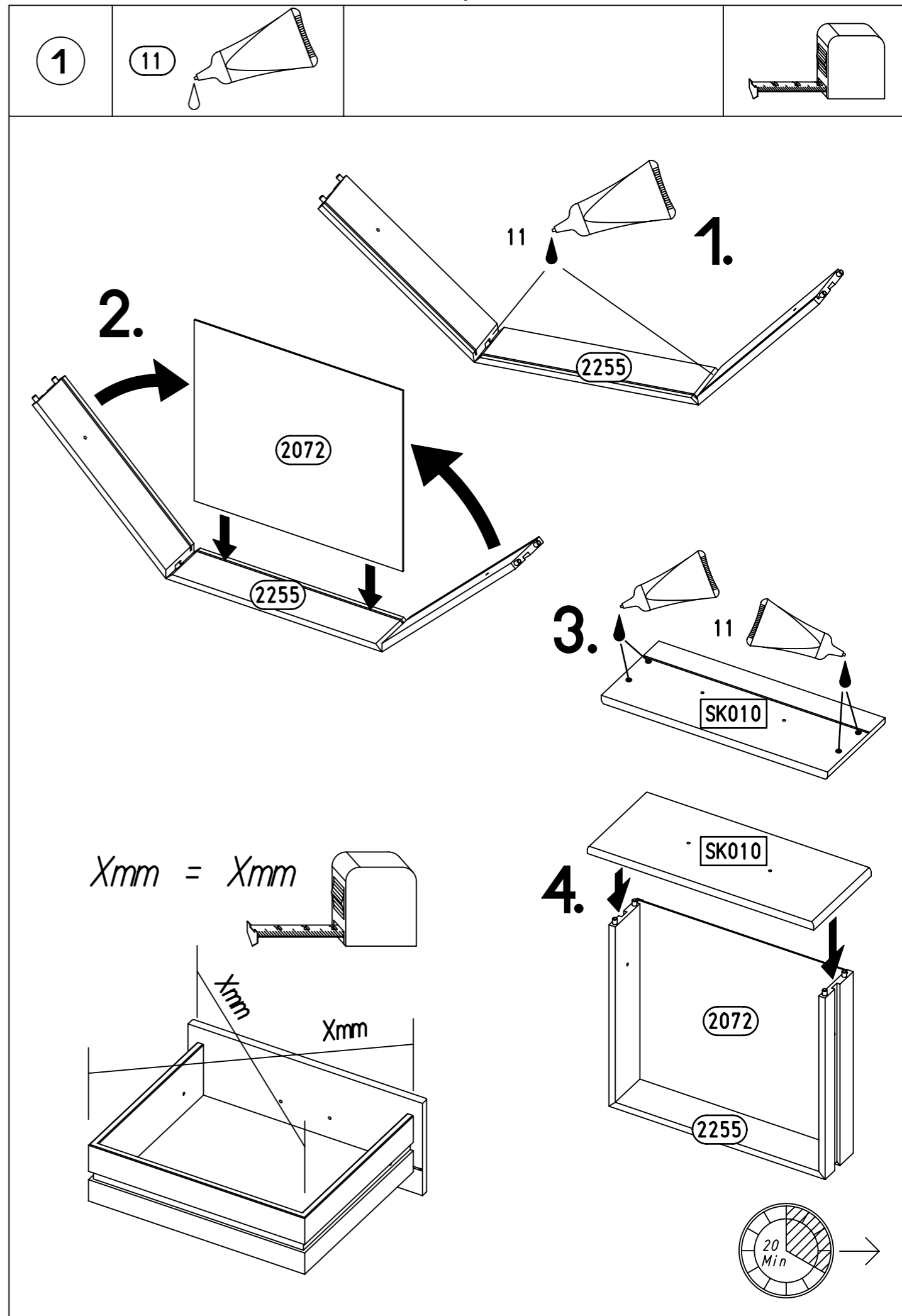
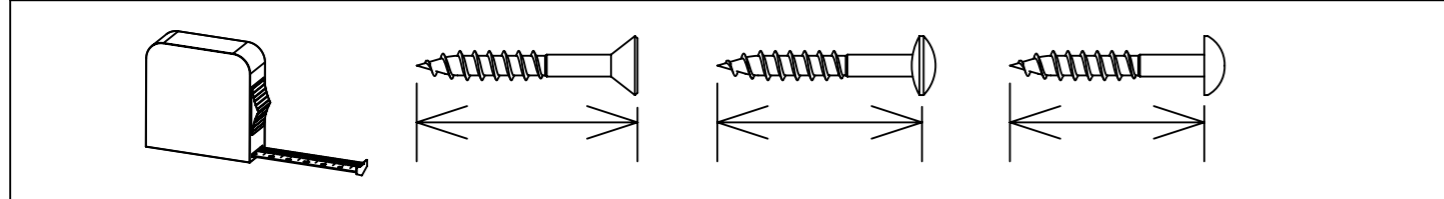
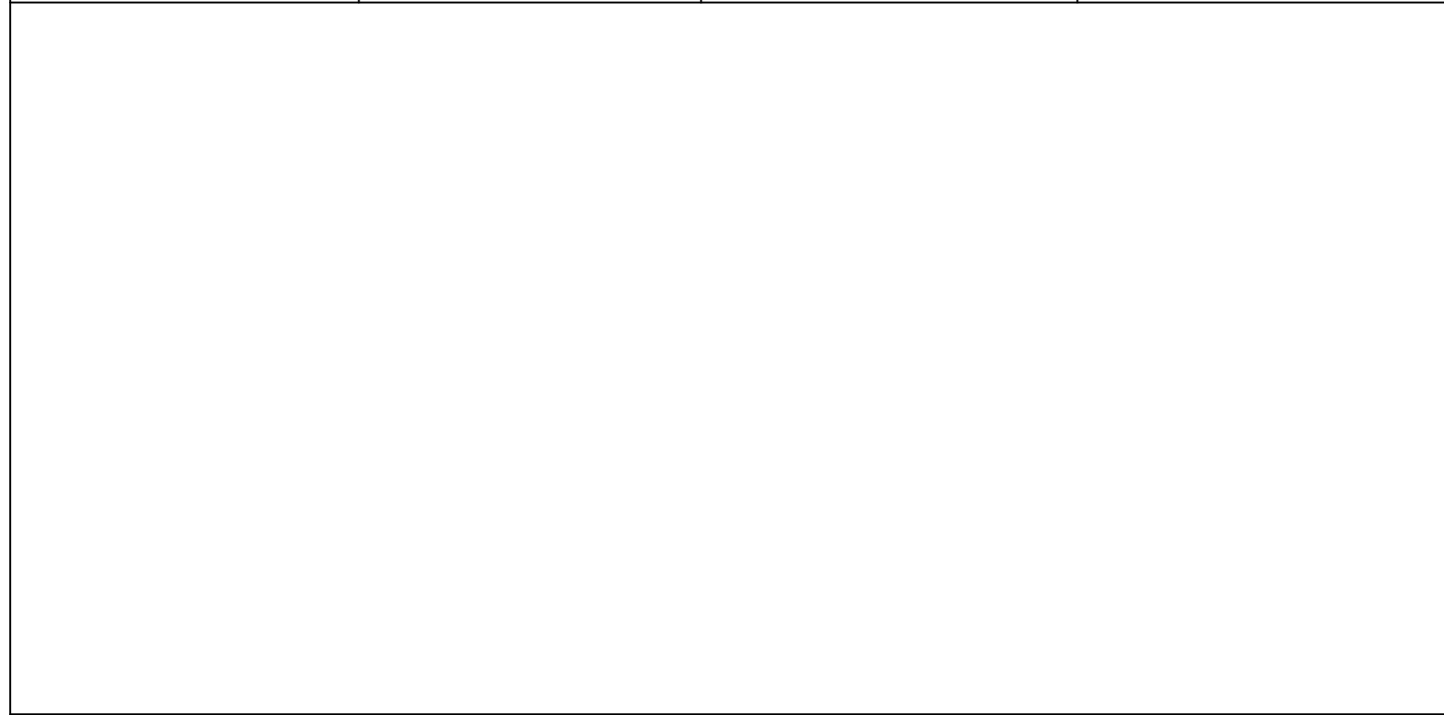
2.

2x

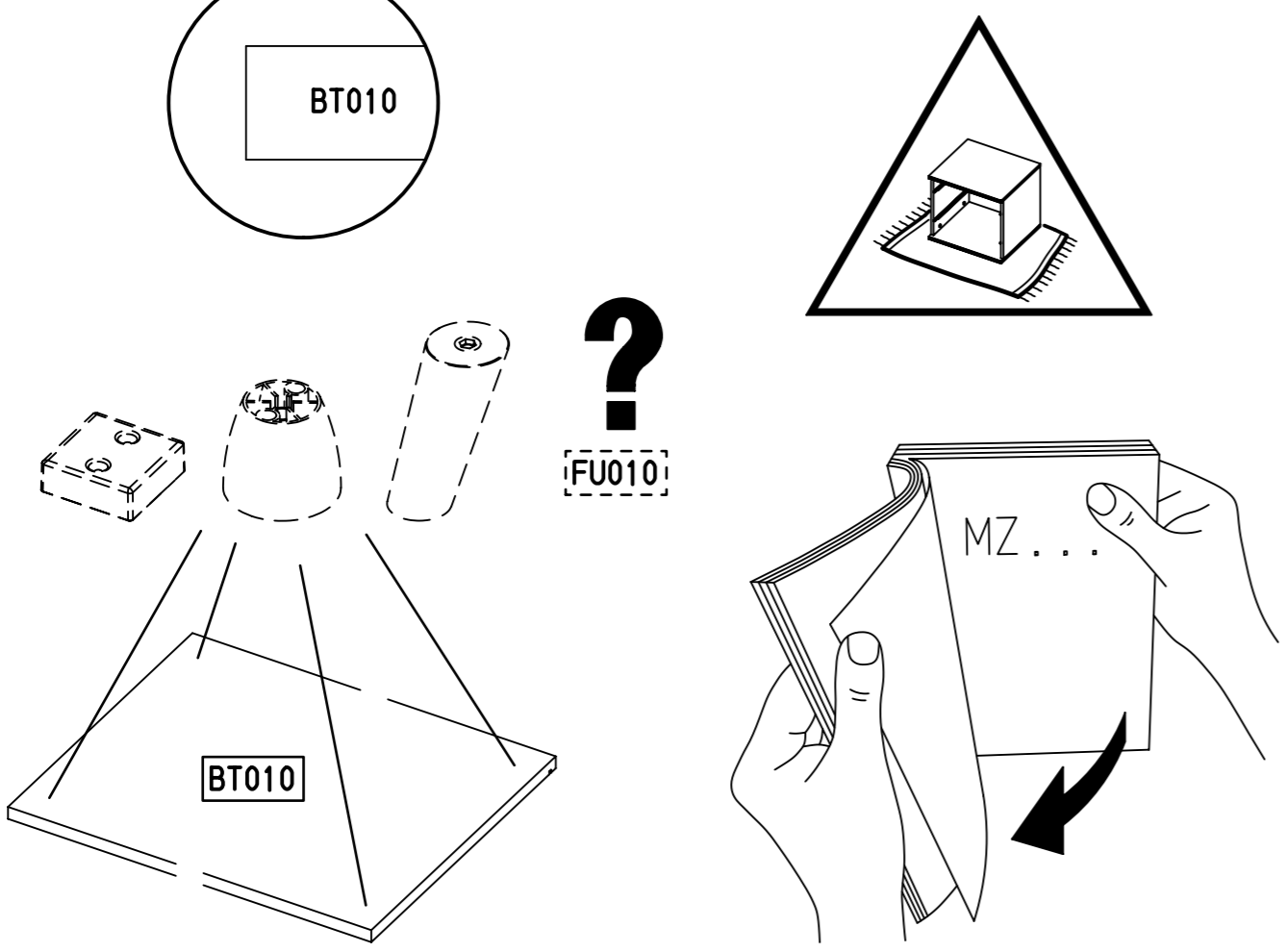
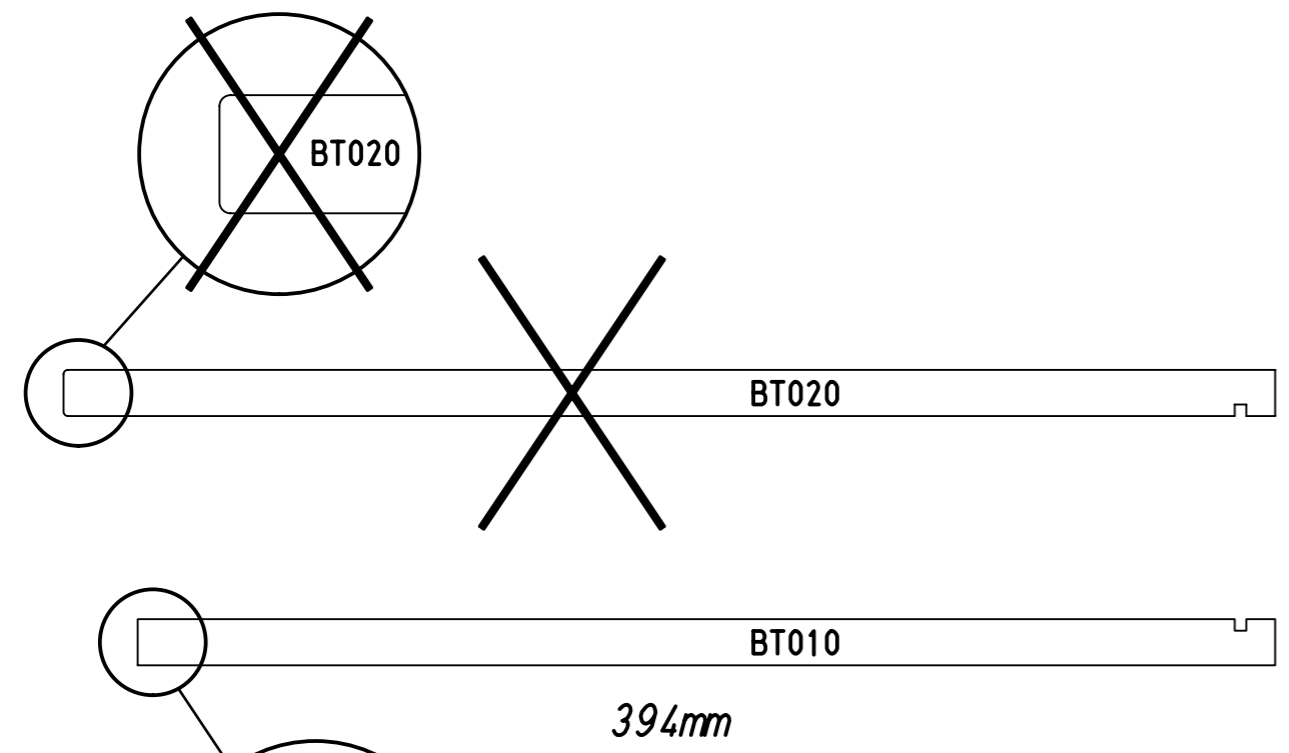




<p>11</p> 	<p>16x 18</p>  <p>8x30</p>	<p>4x 130</p> 	
<p>16x 183</p>  <p>23/10x7,5/6,5</p>	<p>16x 227</p>  <p>6x10,5</p>	<p>8x 251</p>  <p>328x17x9,5</p>	
<p>16x 349</p> 	<p>8x 568</p>  <p>M4x9</p>	<p>12x 1090</p> 	<p>8x 1105</p> 



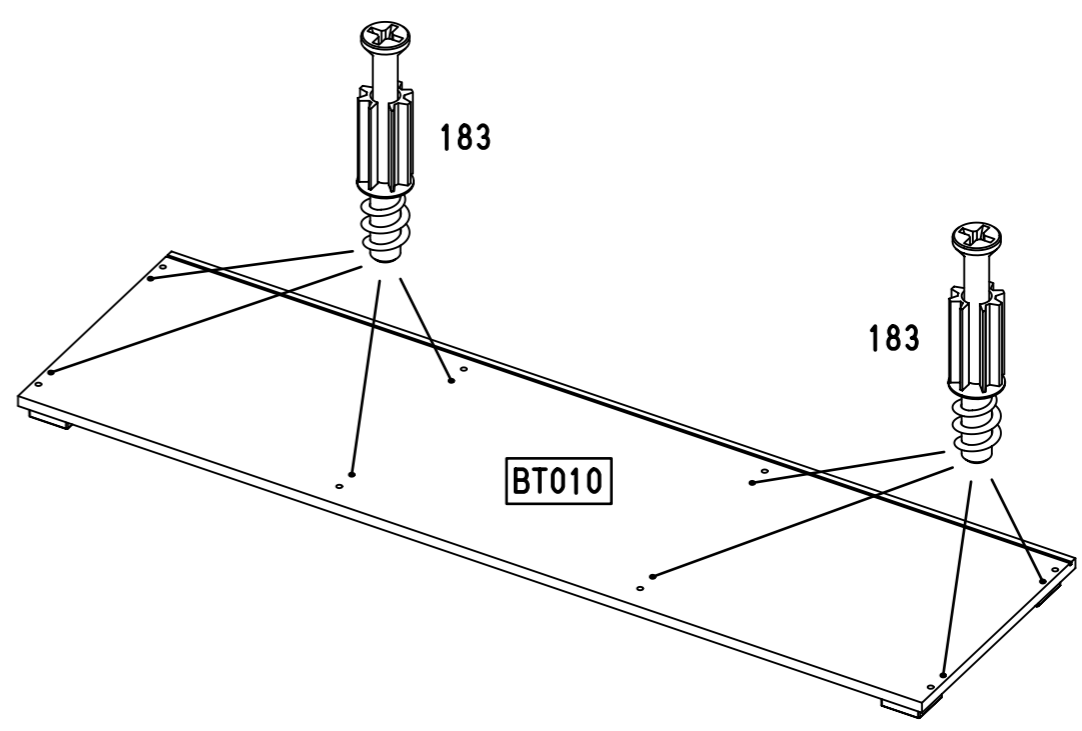
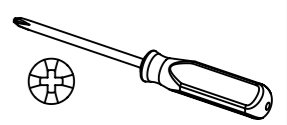
2



3

8x 183

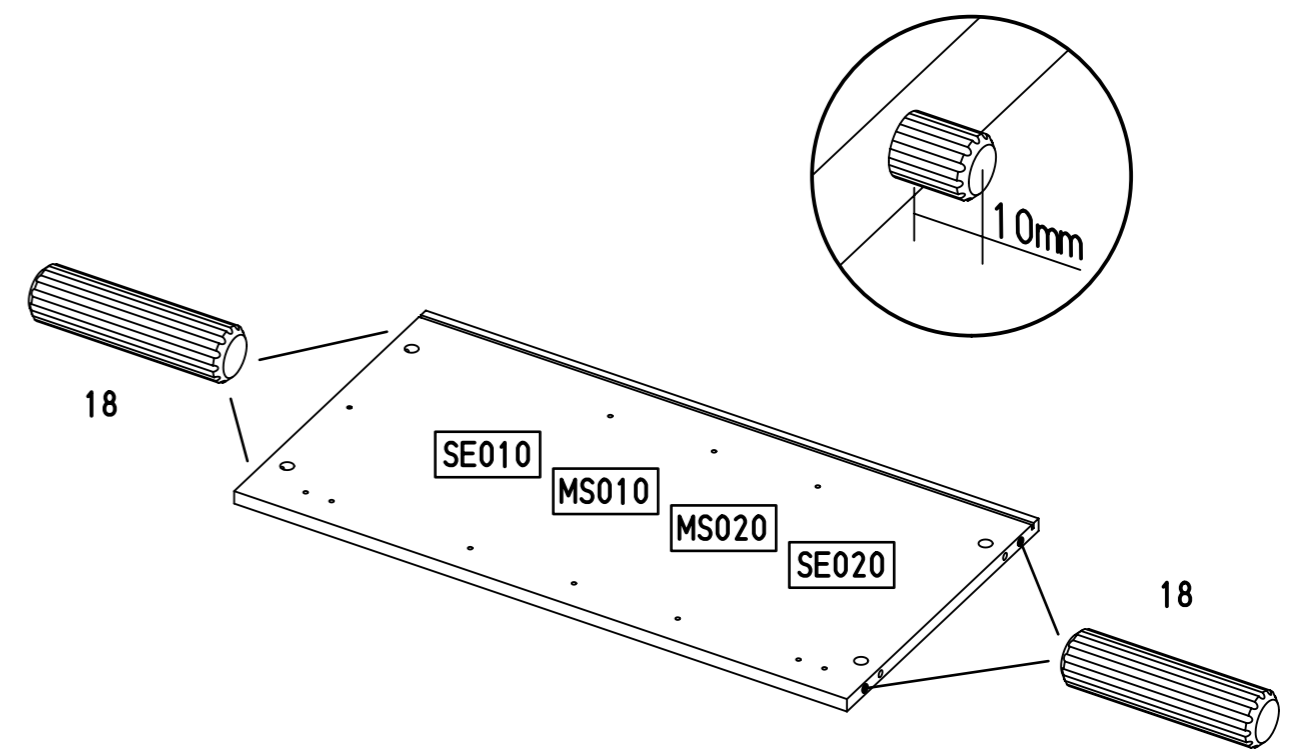
23/10x7,5/6,5



4

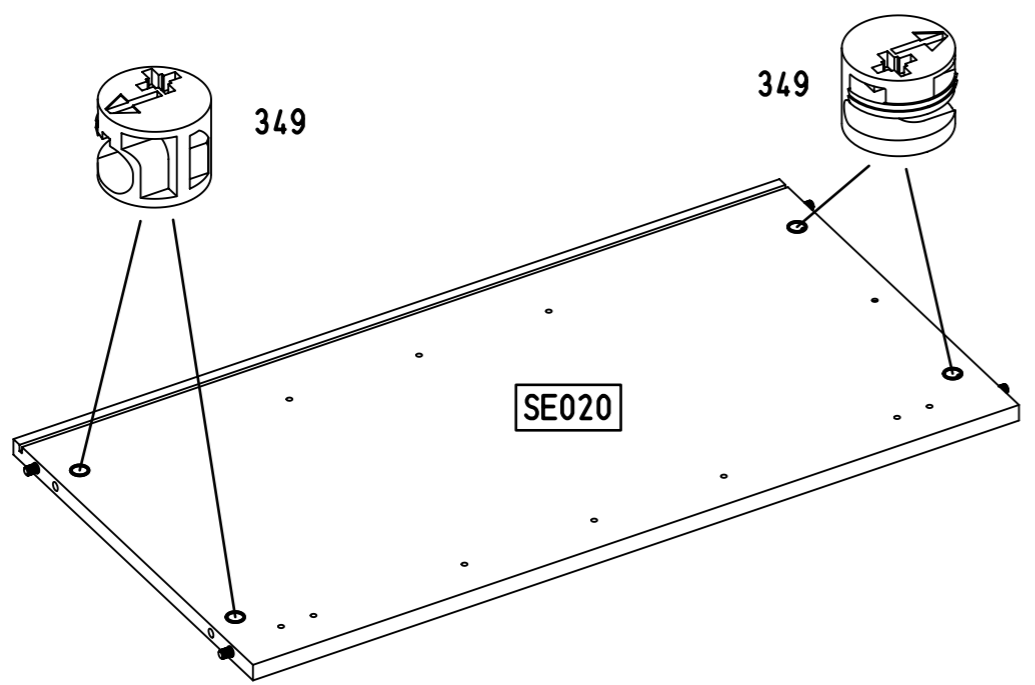
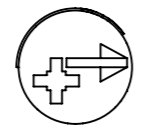
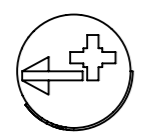
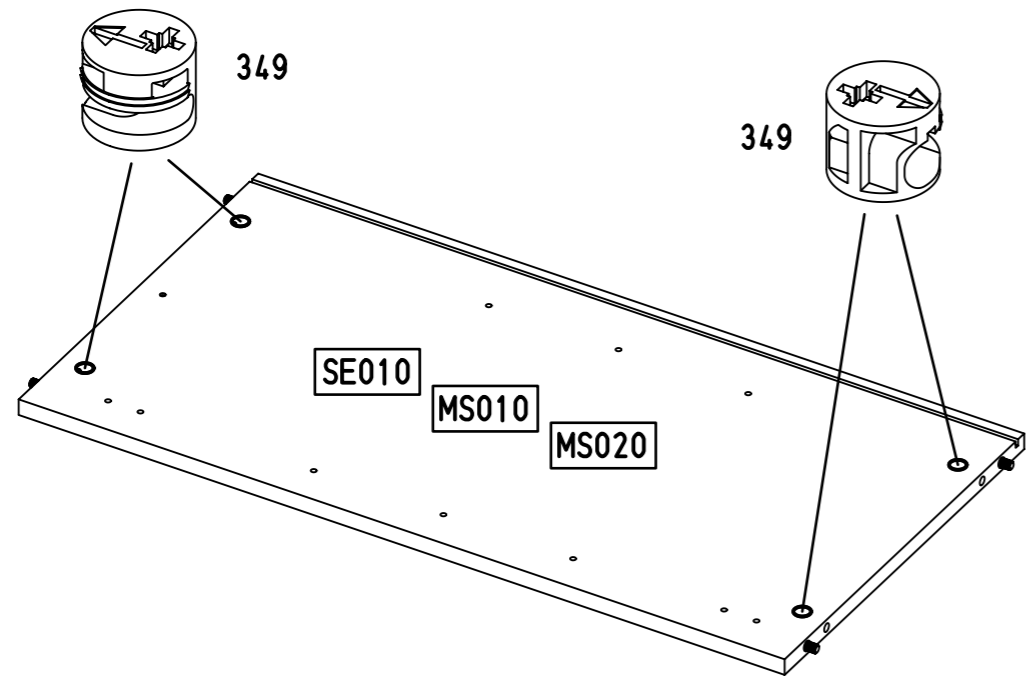
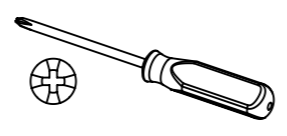
16x 18

8x30



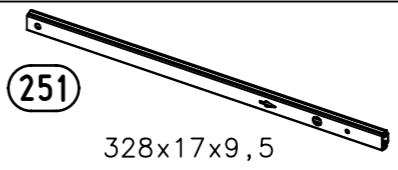
5

16x 349



6

4x 251

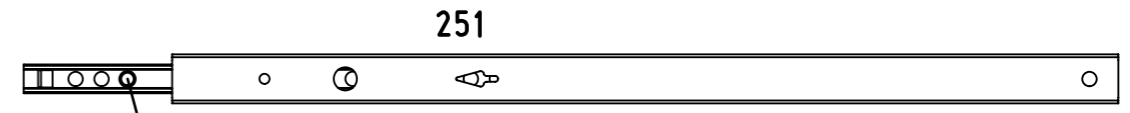
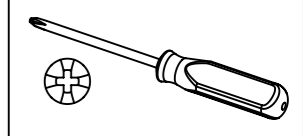


328x17x9,5

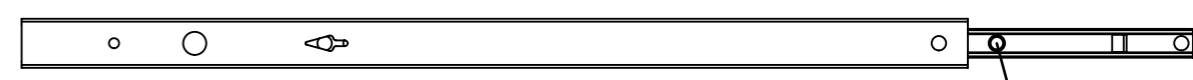
8x 227



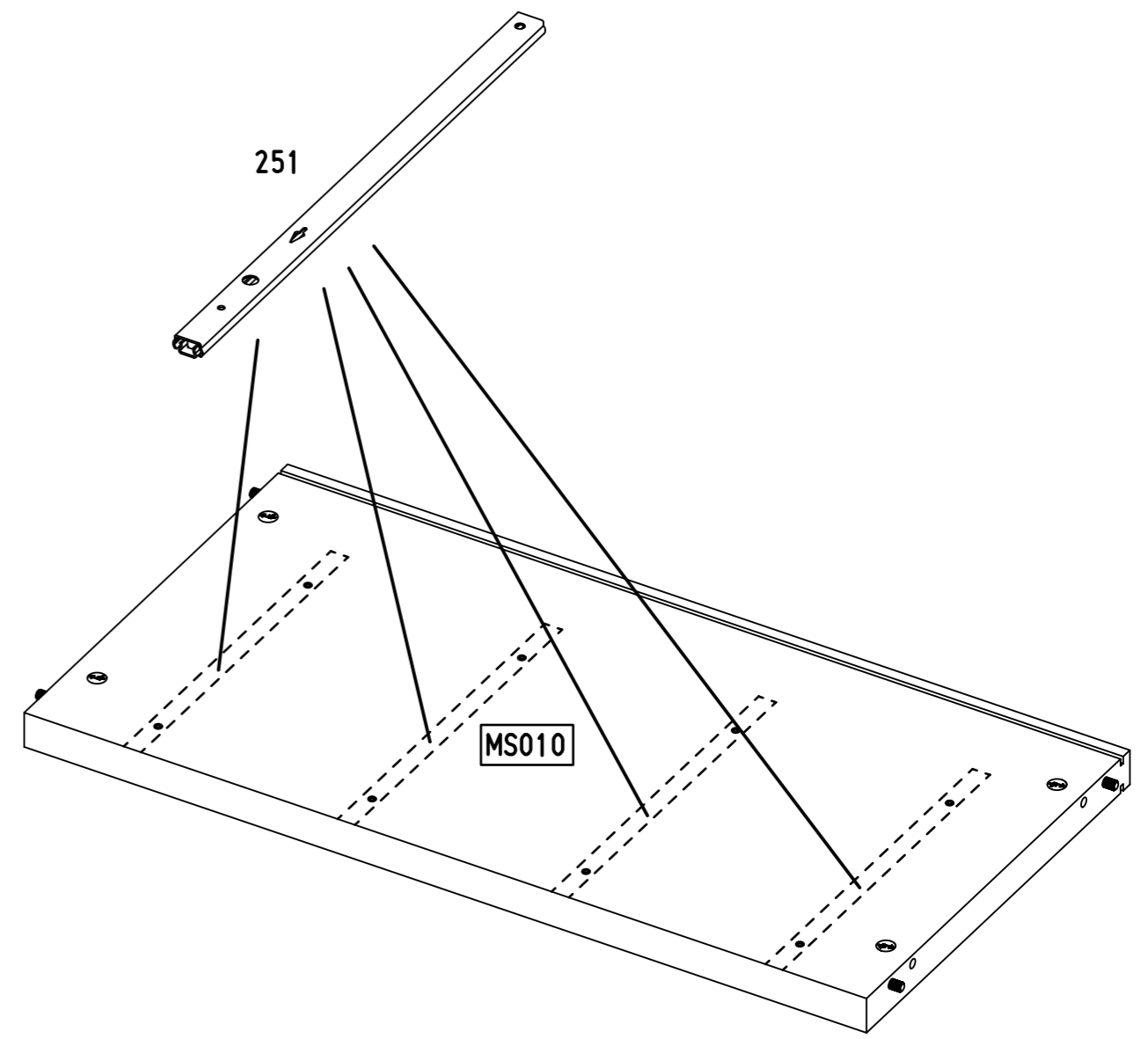
6x10,5



1.

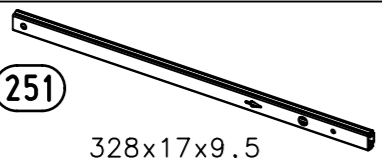


2.



7

4x (251)

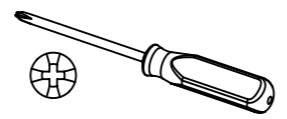


328x17x9,5

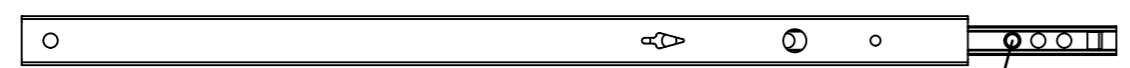
8x (227)



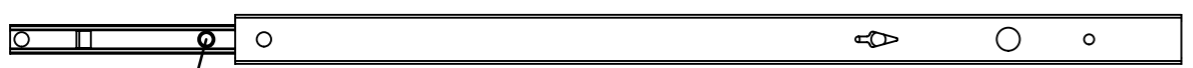
6x10,5



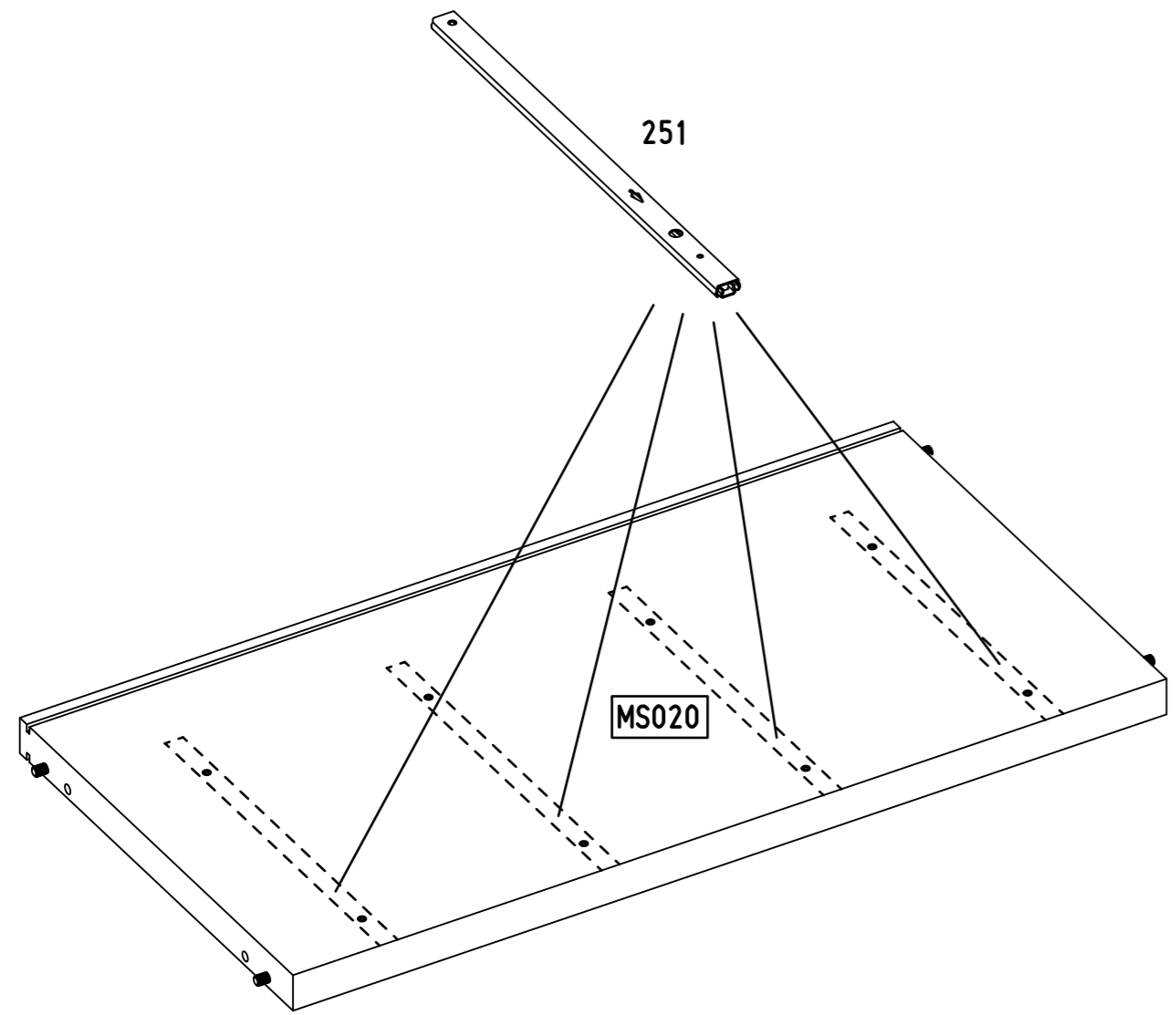
251



227 1.



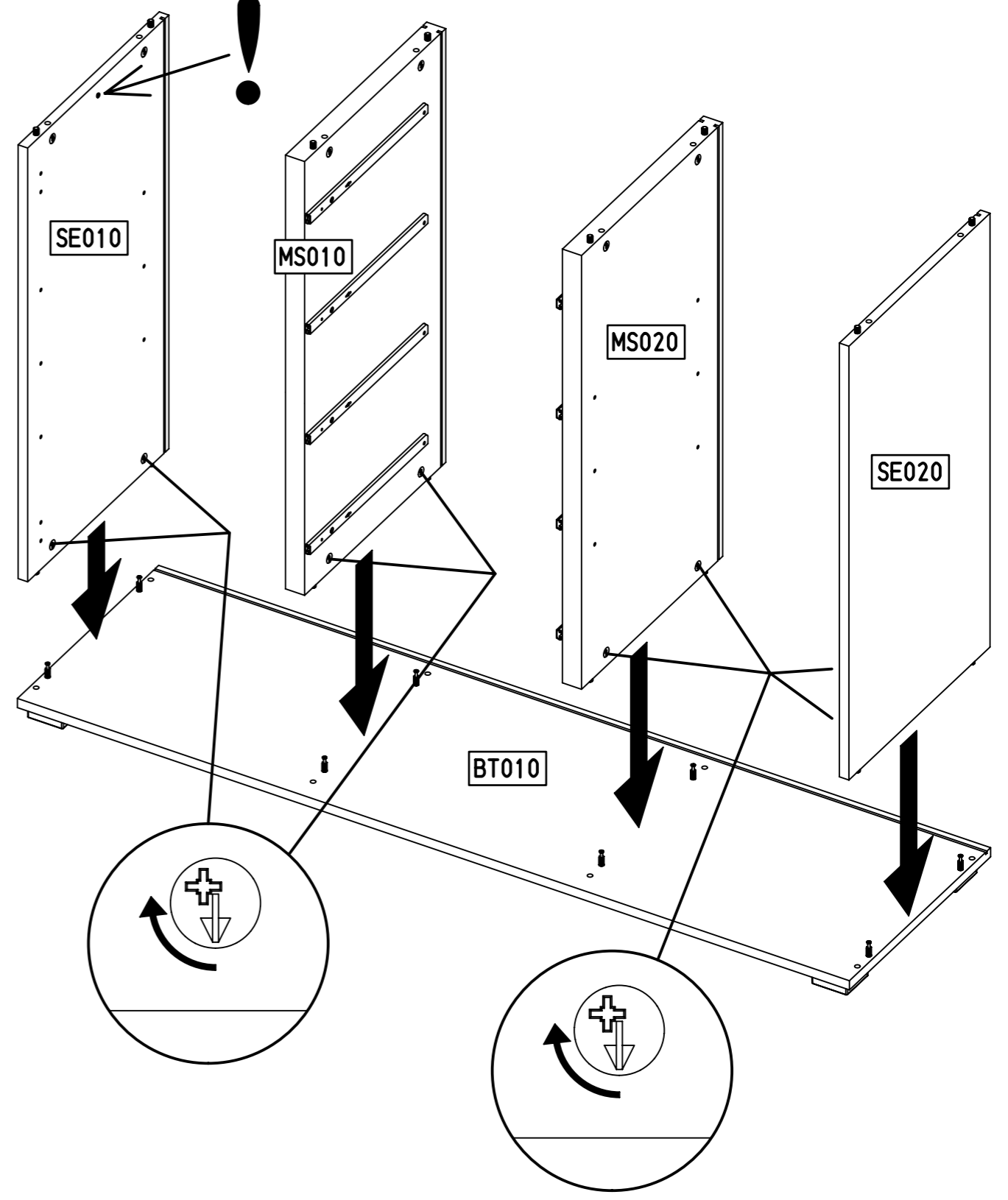
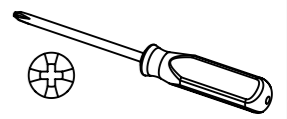
227 2.



251

MS020

8



SE010

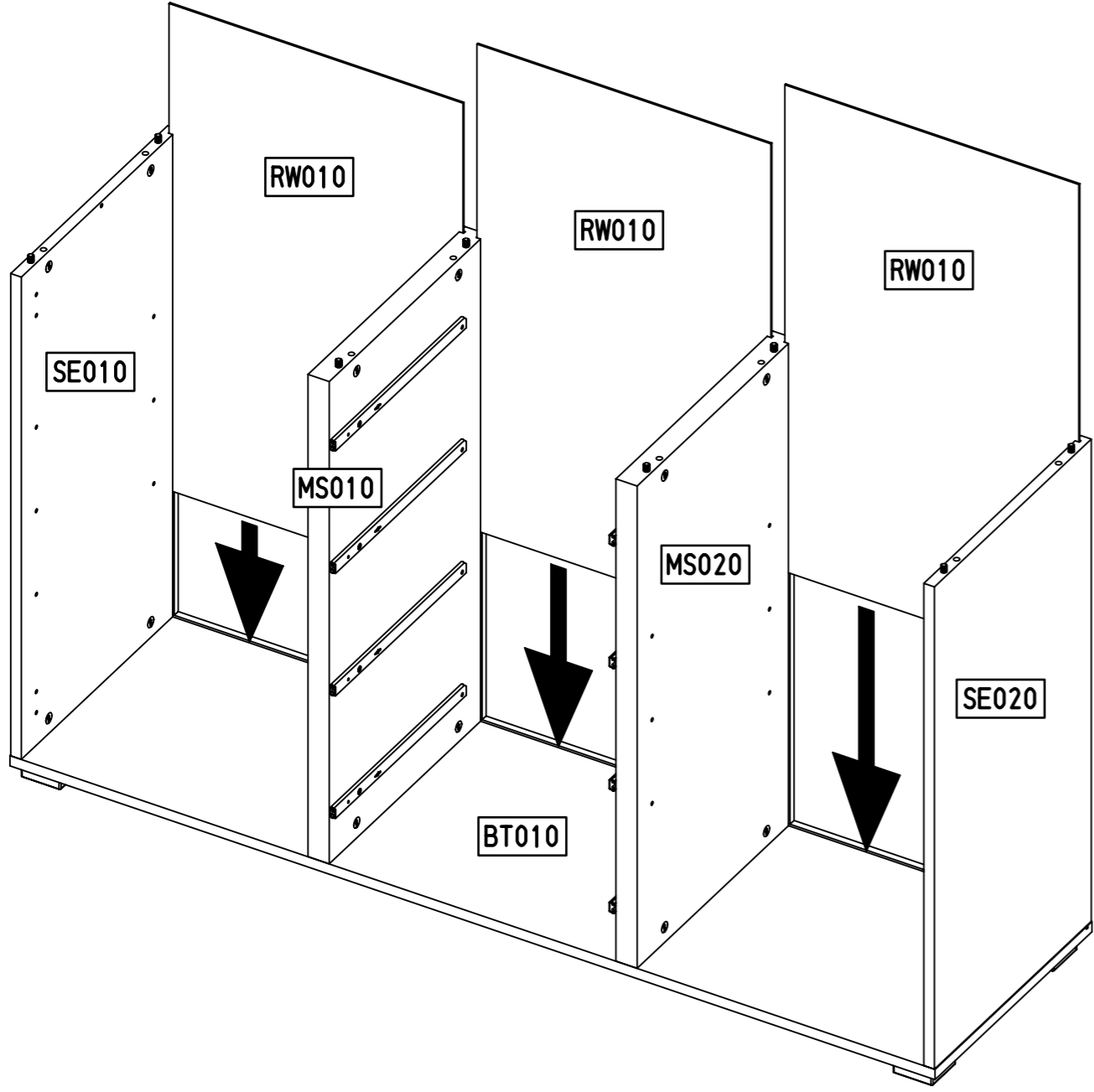
MS010

MS020

SE020

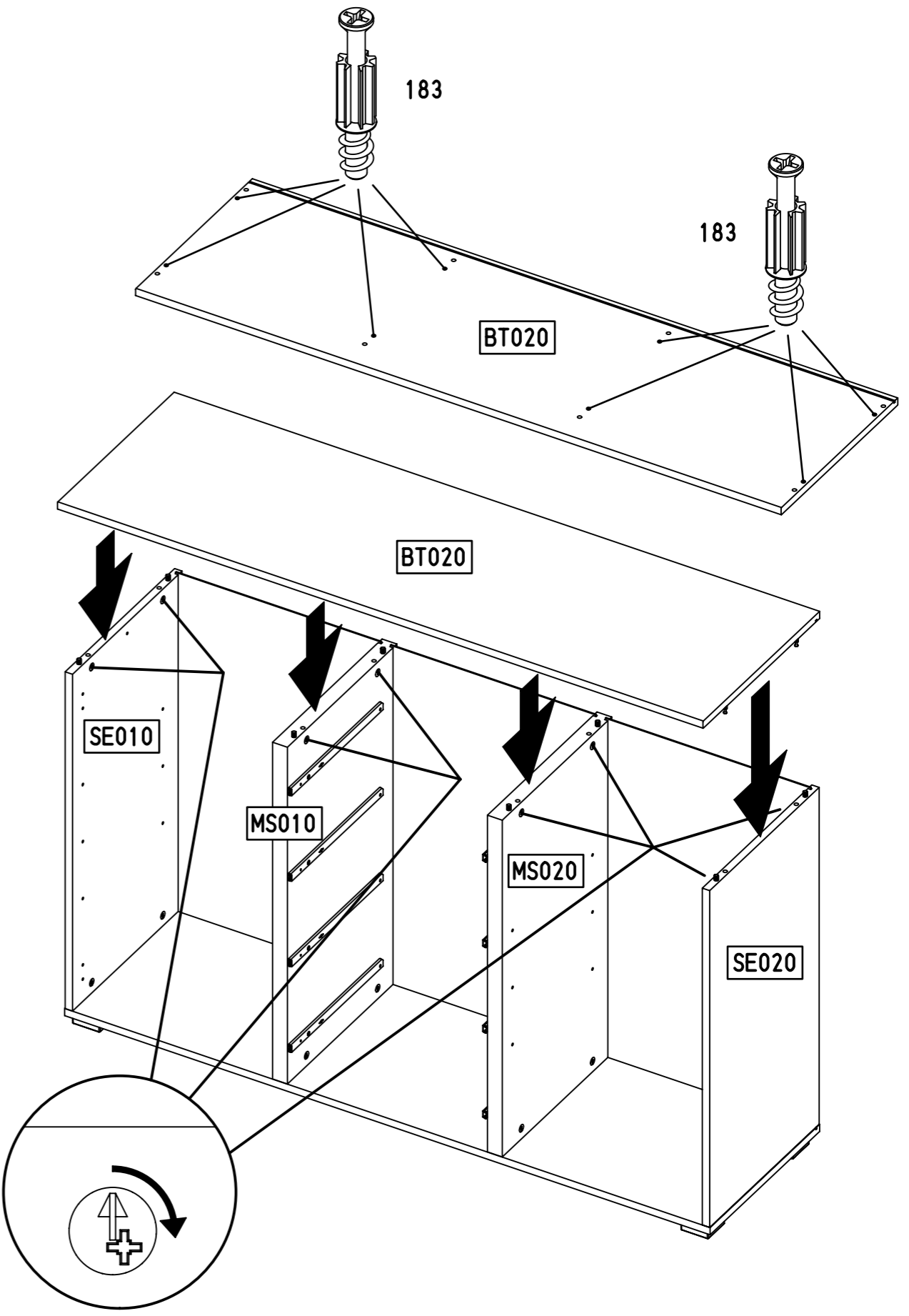
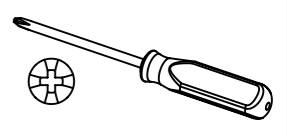
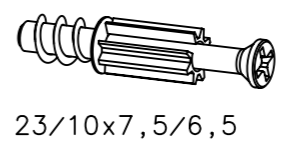
BT010

9



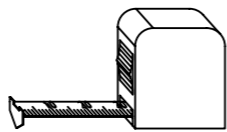
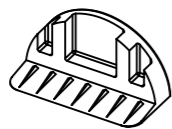
10

8x 183

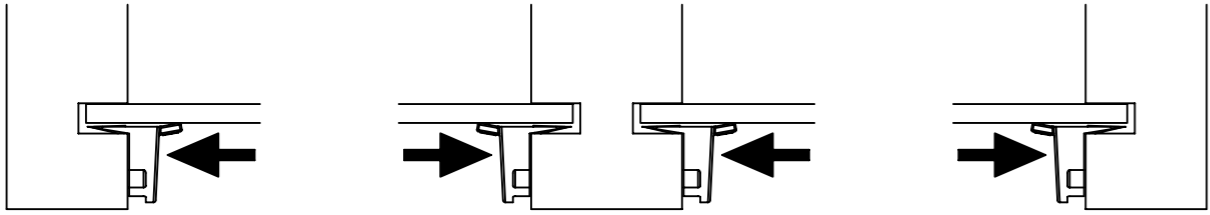
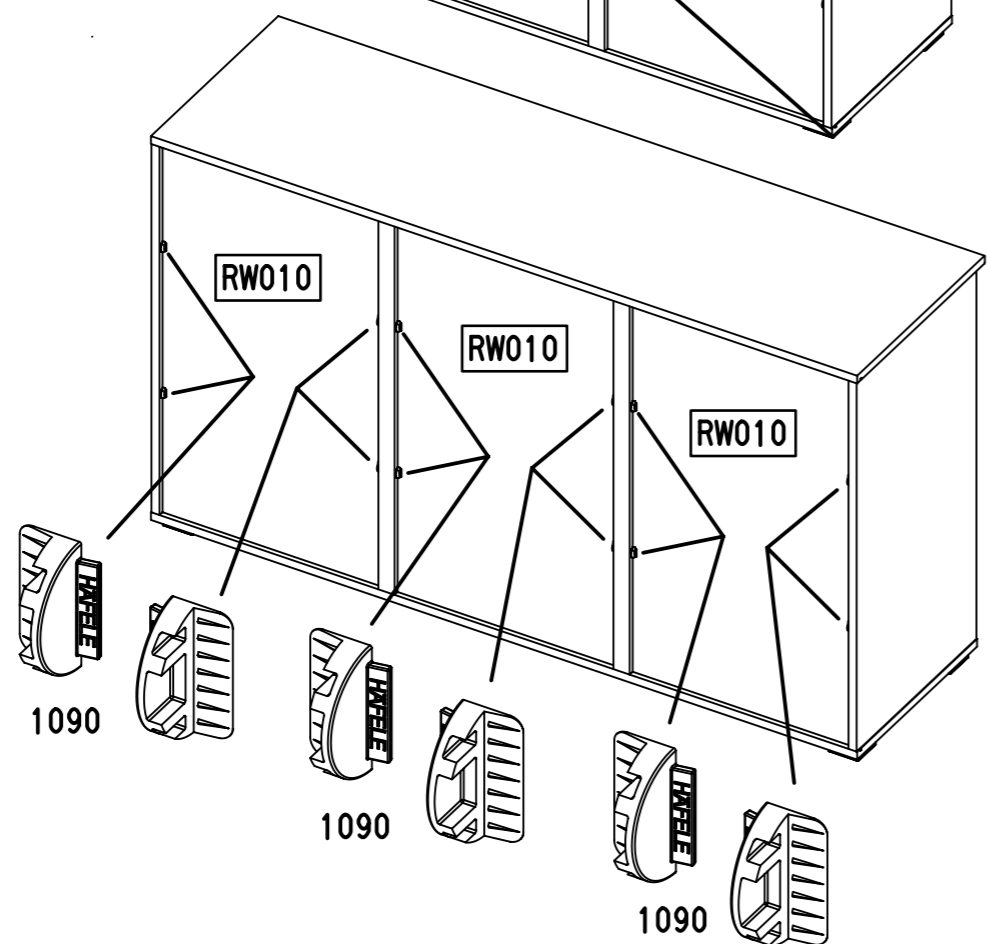
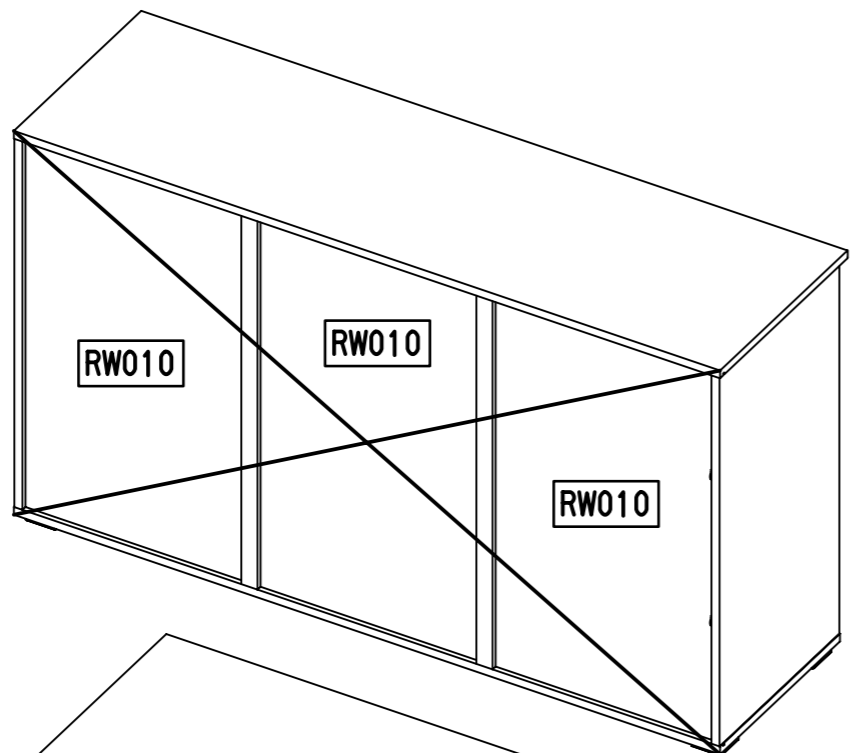
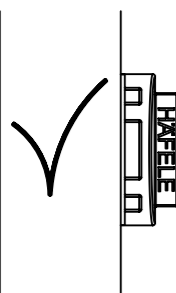
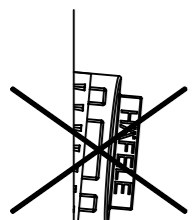
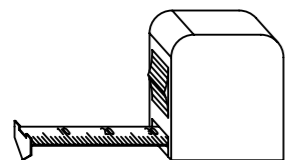


11

12x 1090

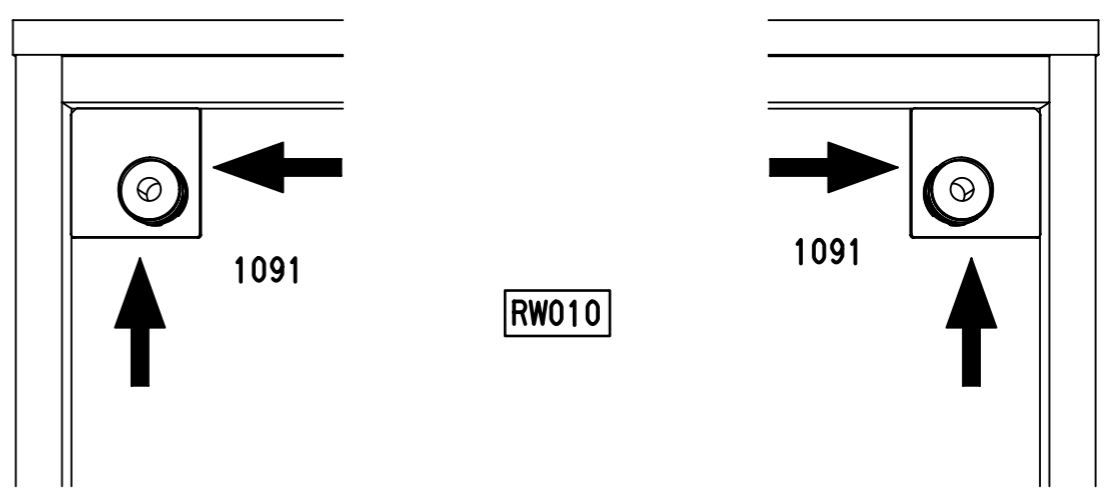
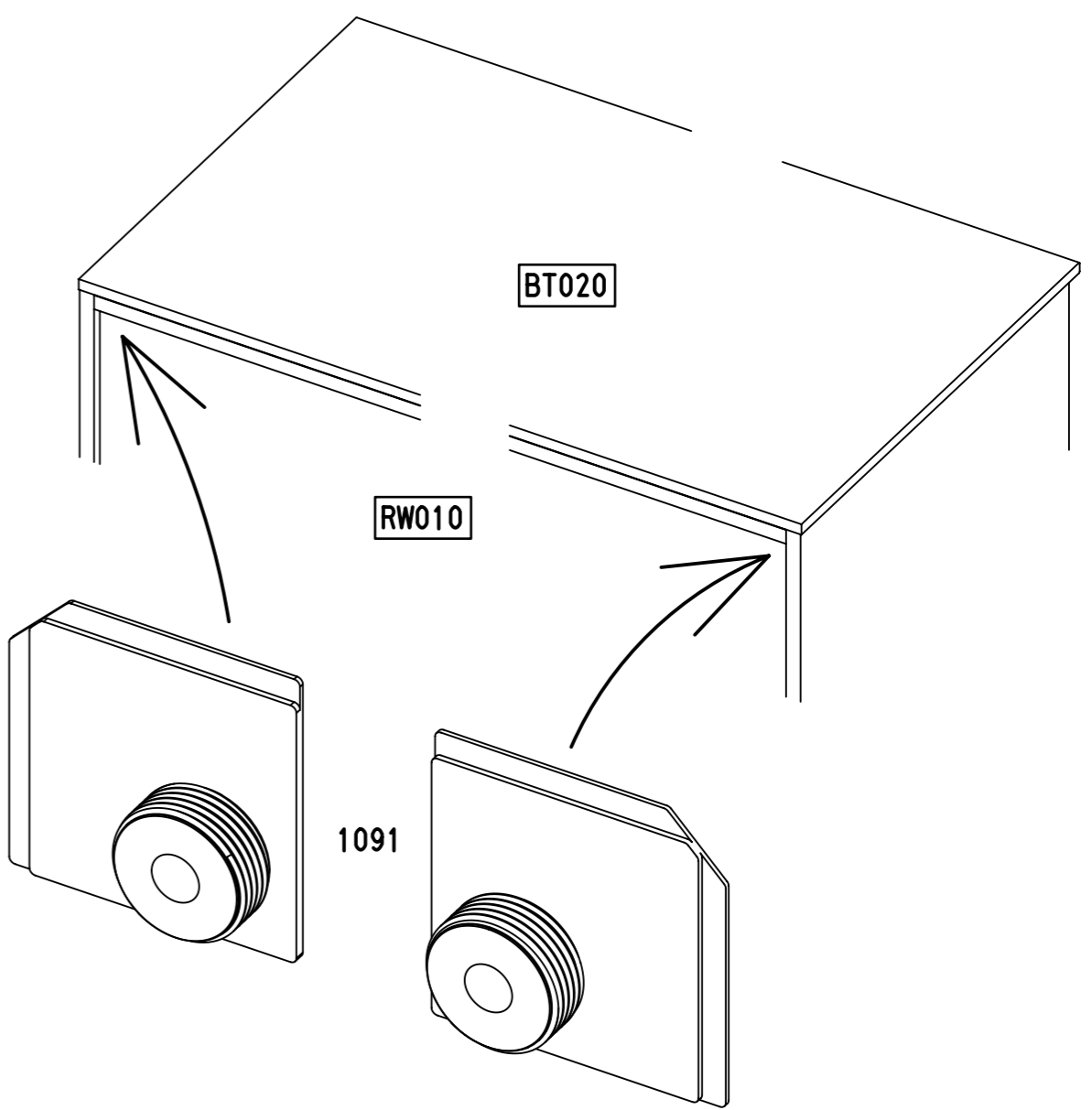
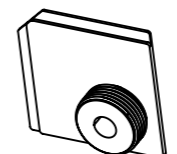


Xmm = Xmm



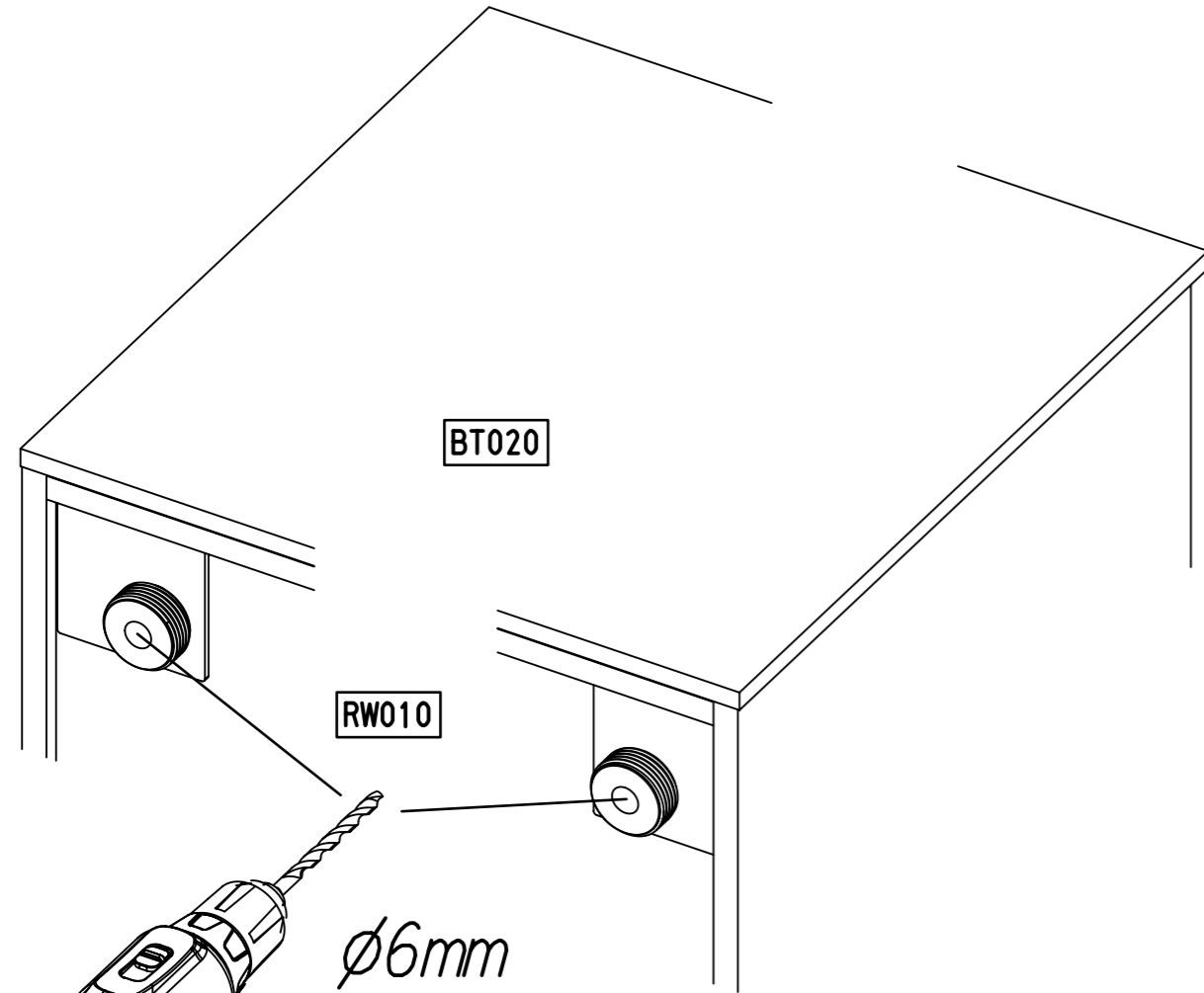
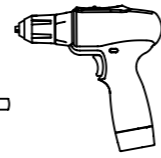
12

2x 1091



13

∅6mm

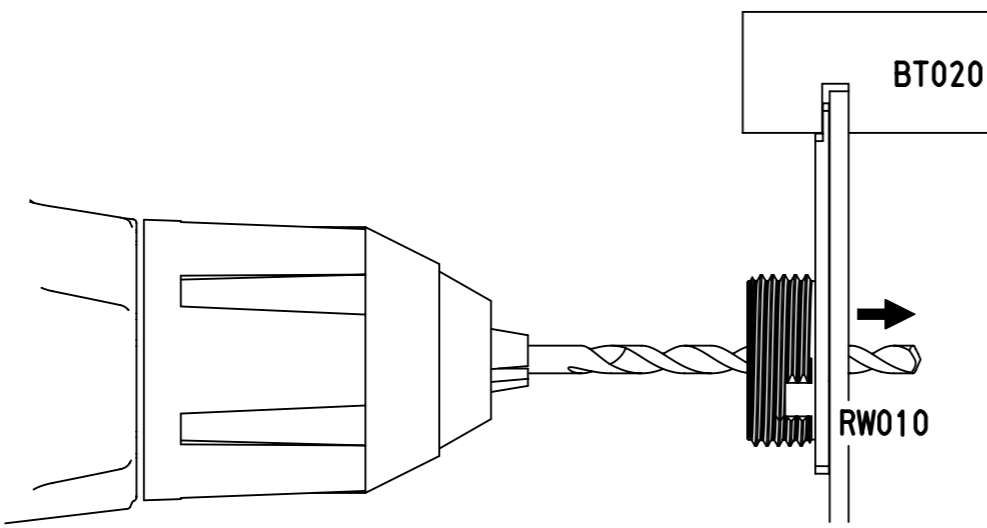


RW010

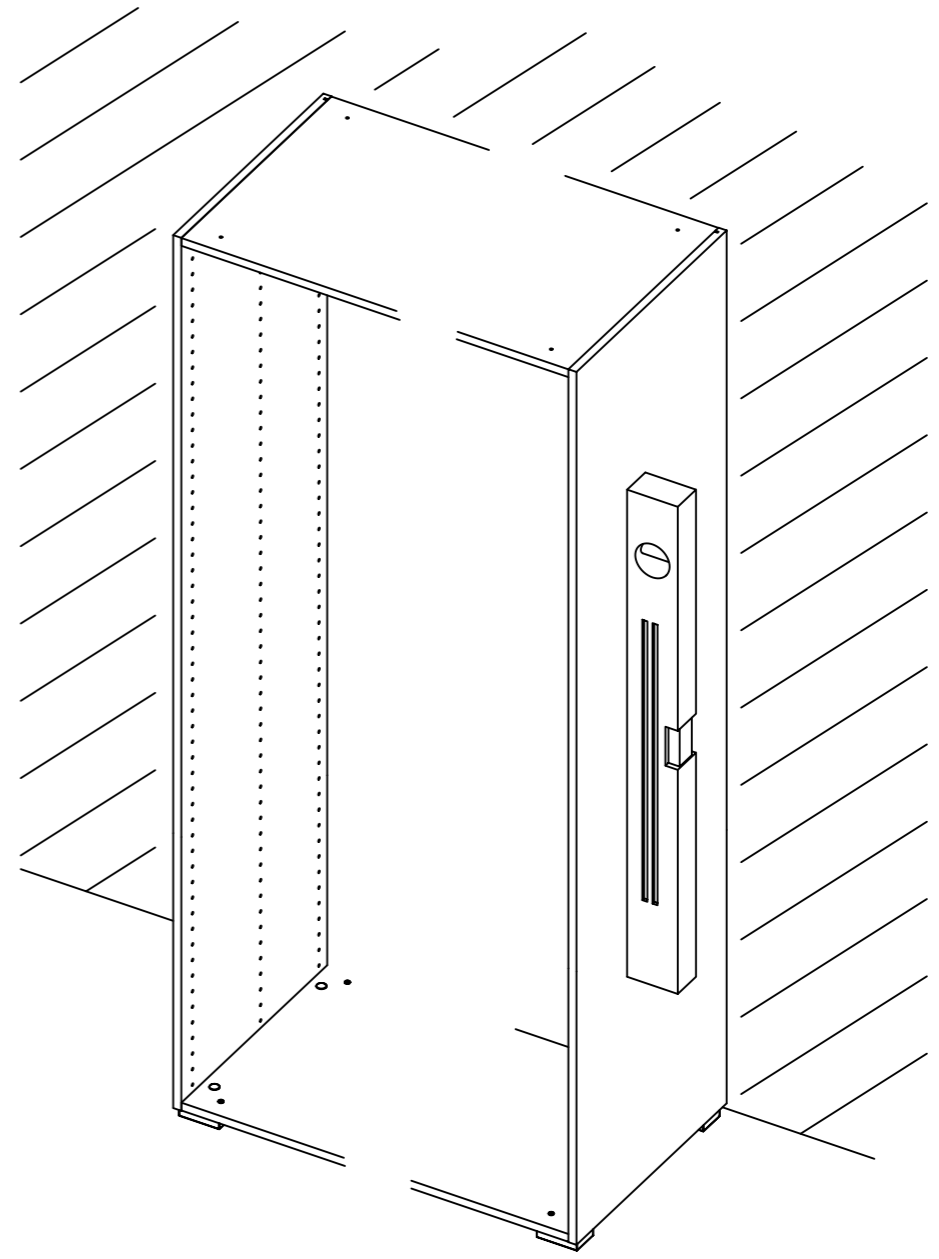
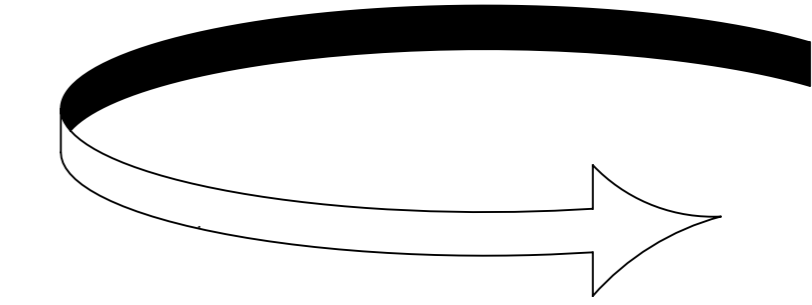
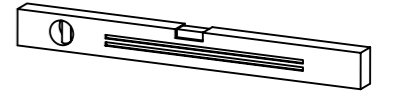
∅6mm

BT020

RW010

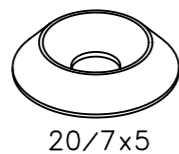


14



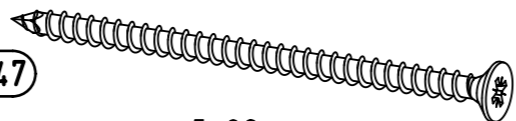
15

2x 1093

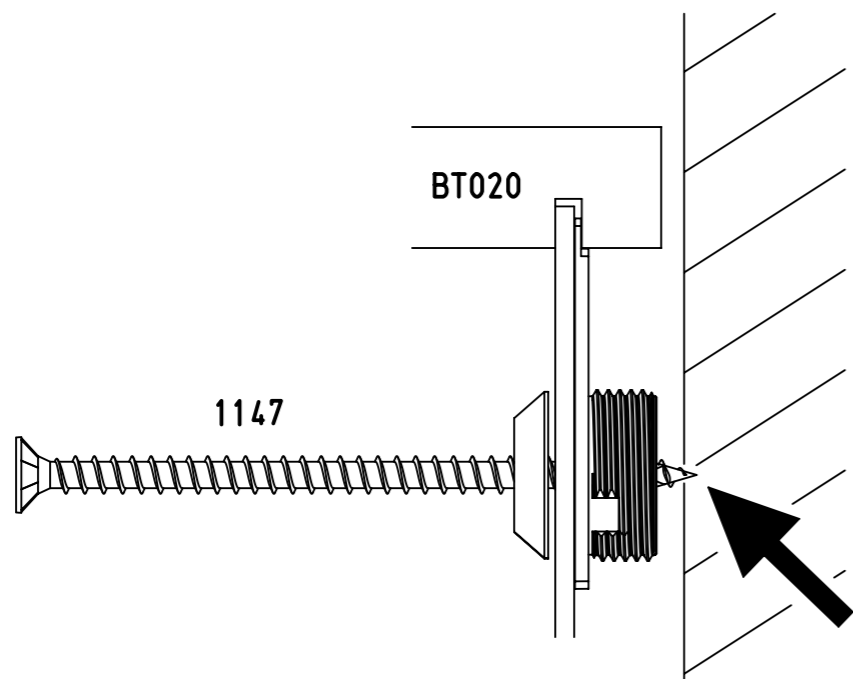
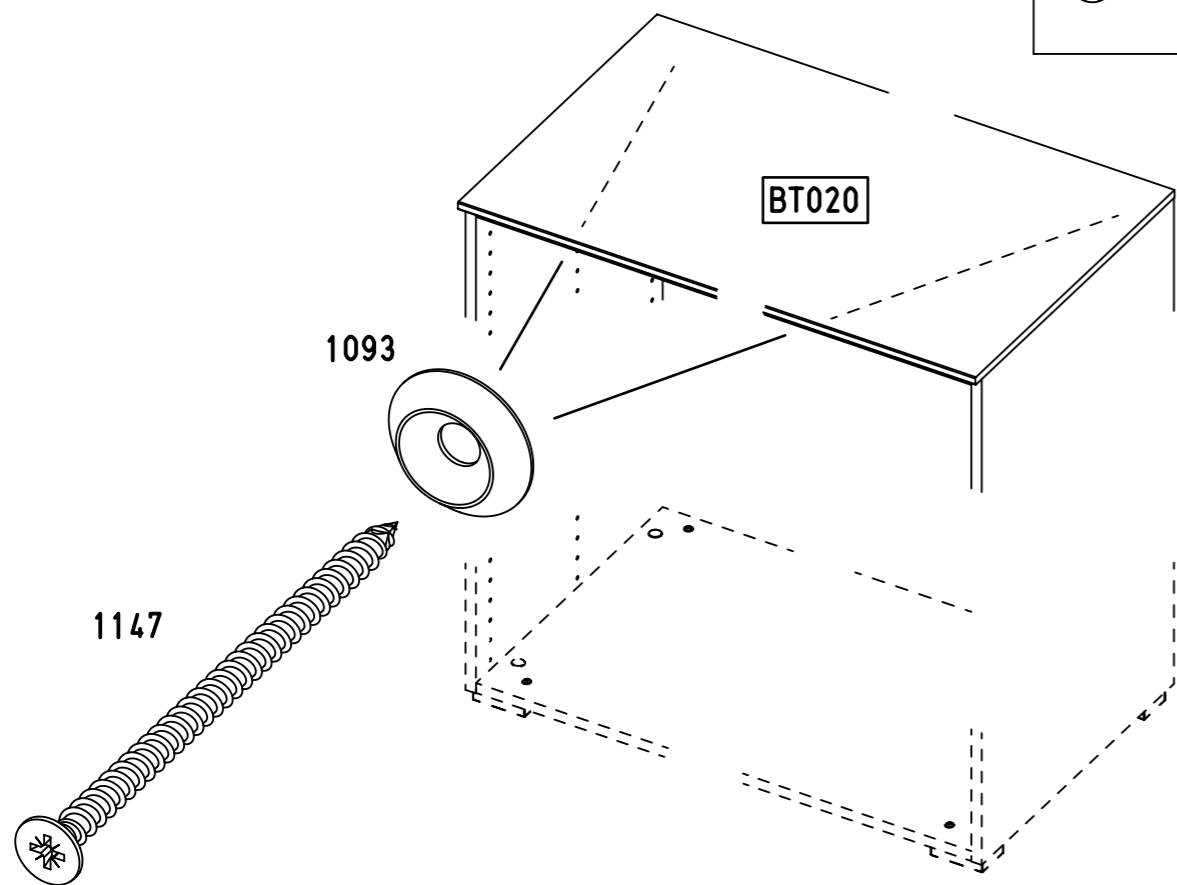
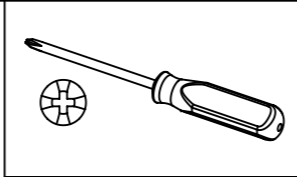


20/7x5

2x 1147

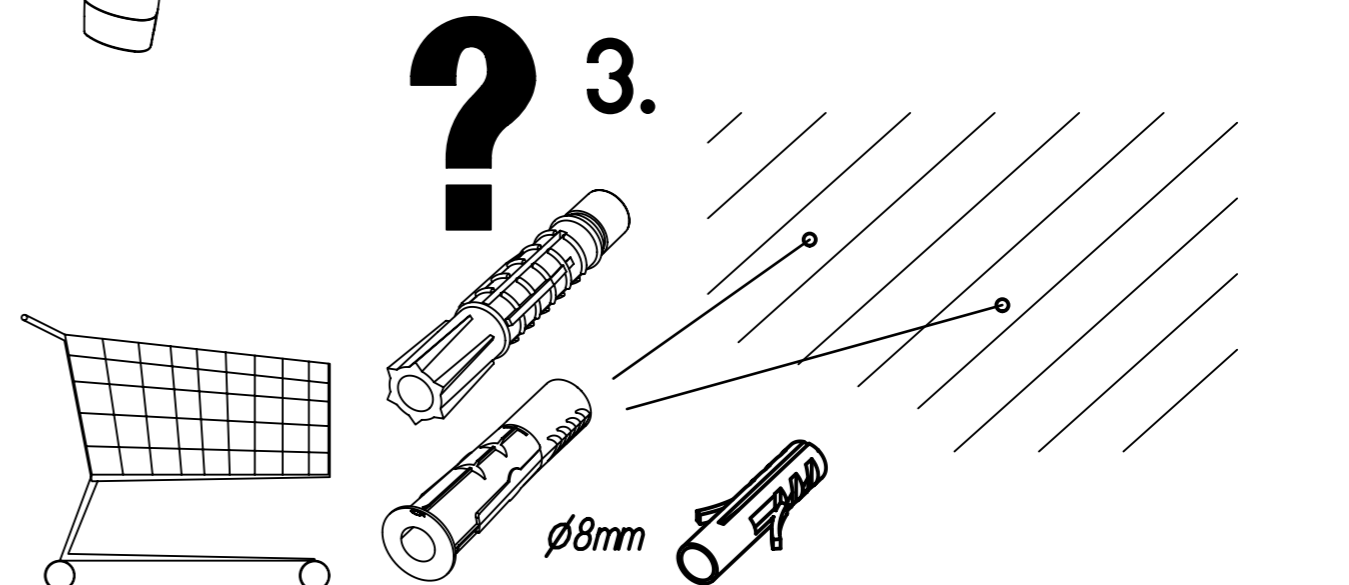
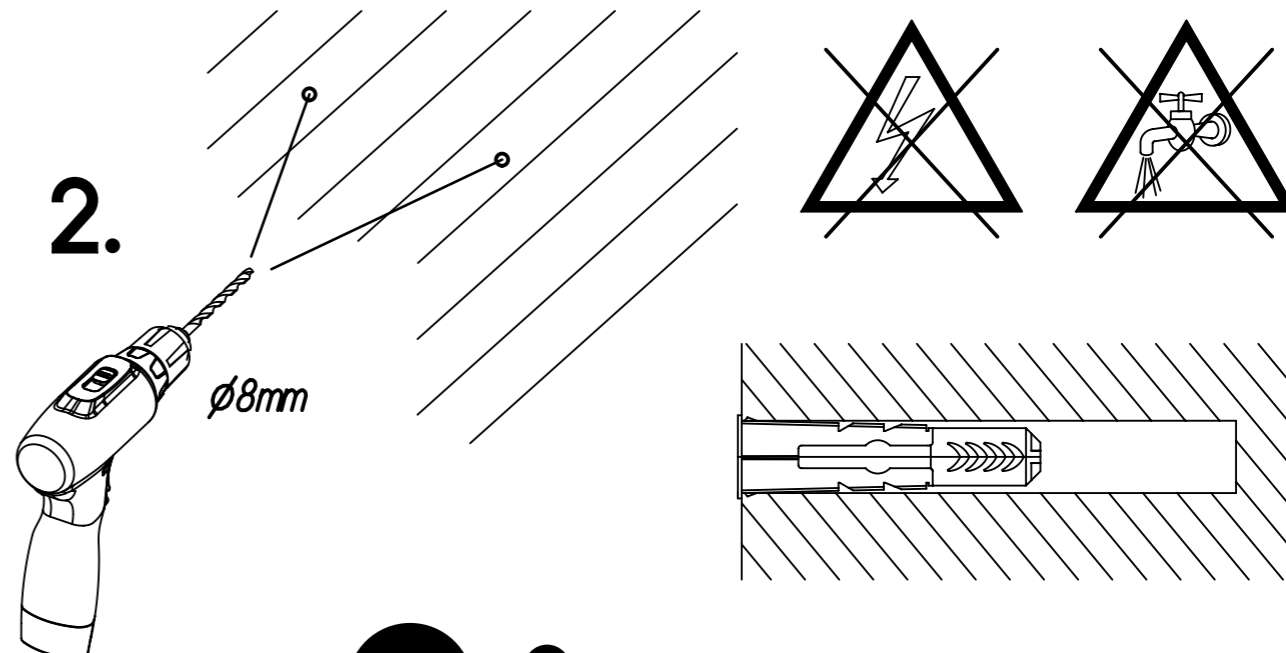
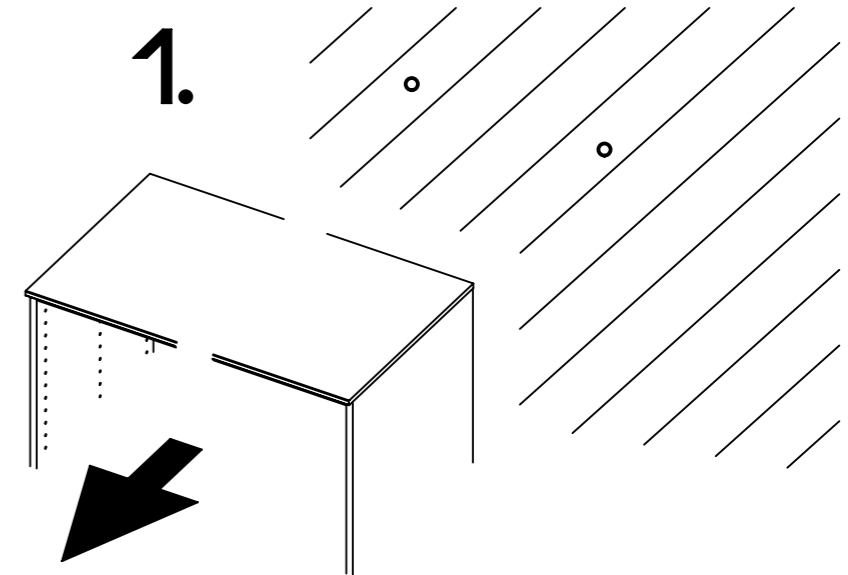
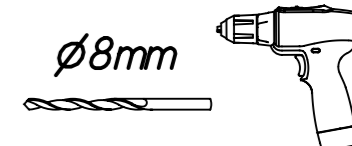


5x90



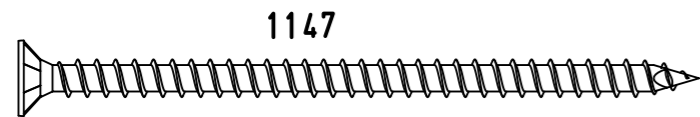
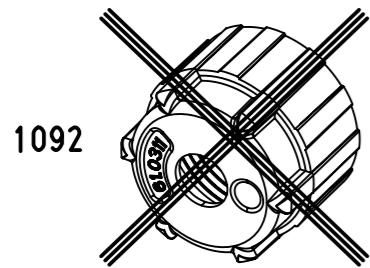
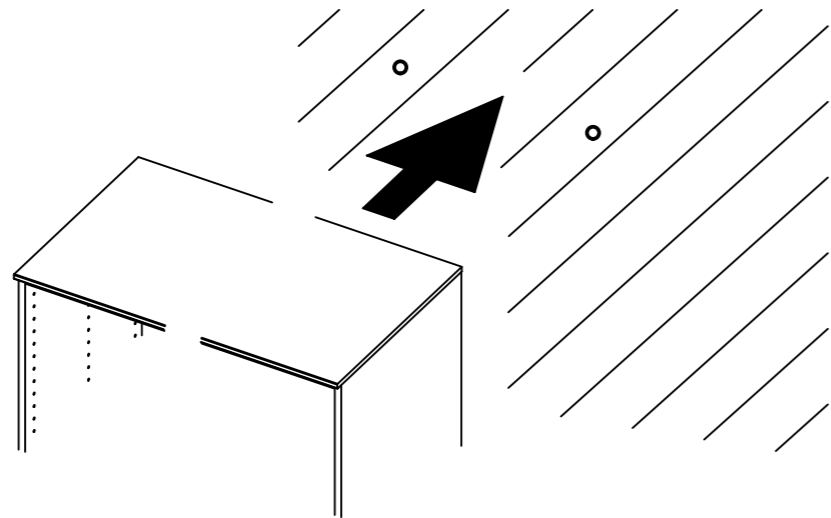
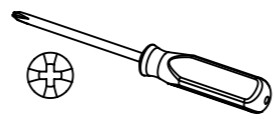
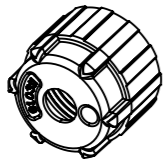
16

ø8mm



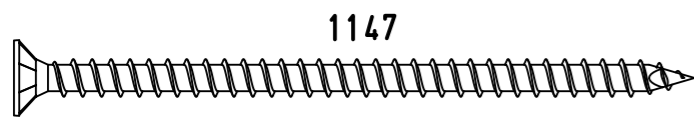
17

2x 1092



1093

10-15mm



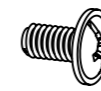
1093

1092

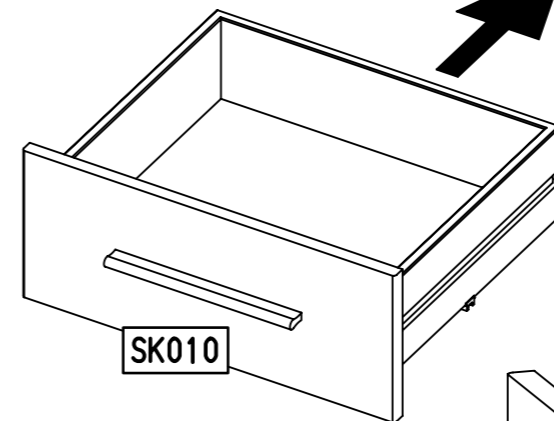
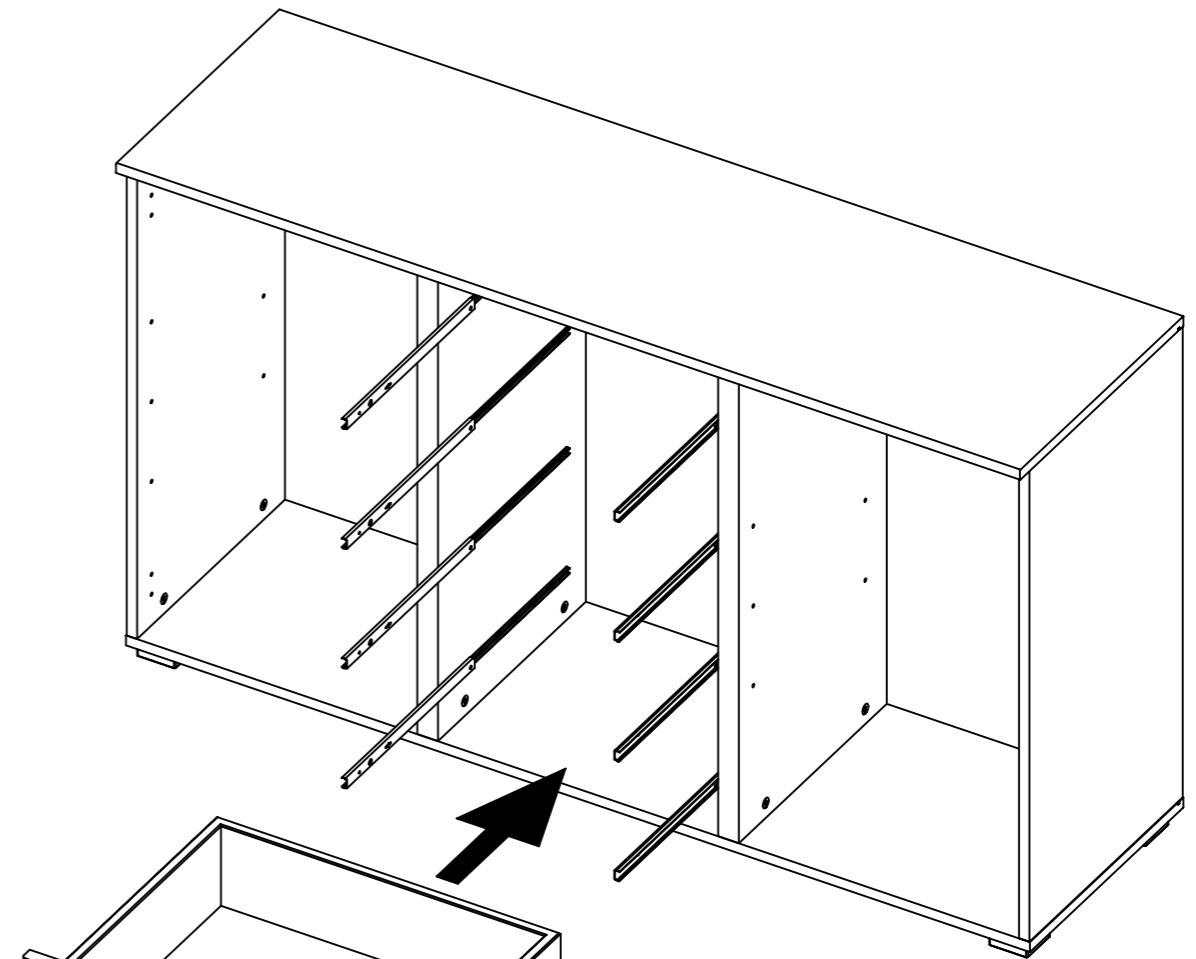
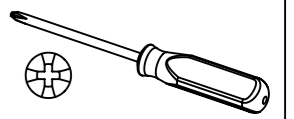


18

8x 568

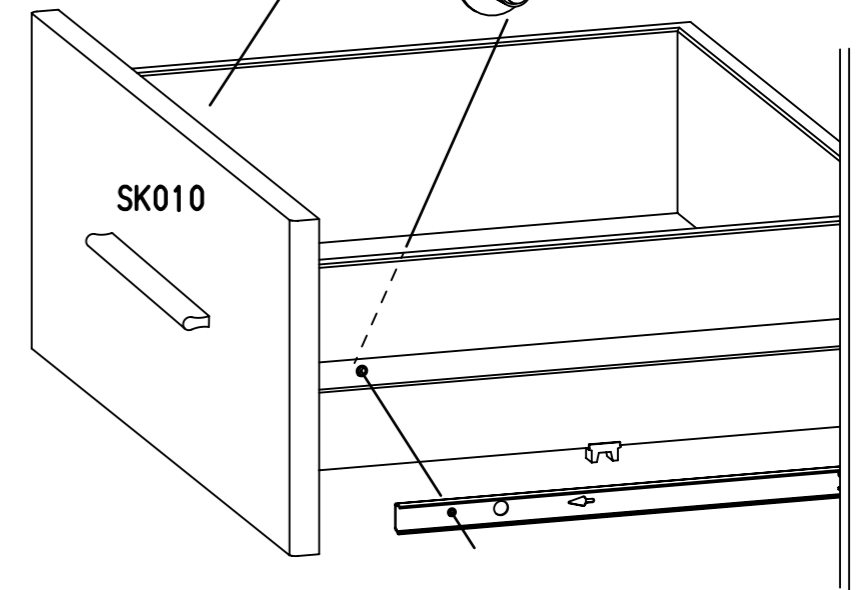


M4x9



SK010

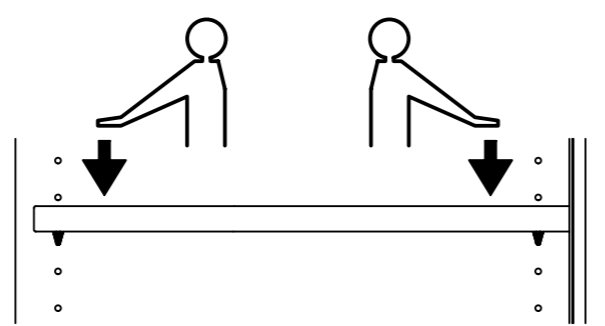
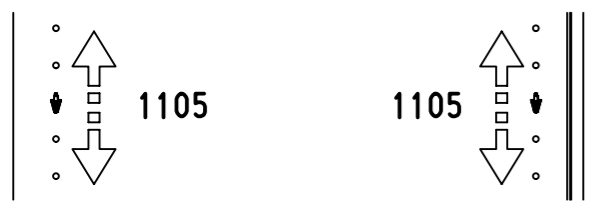
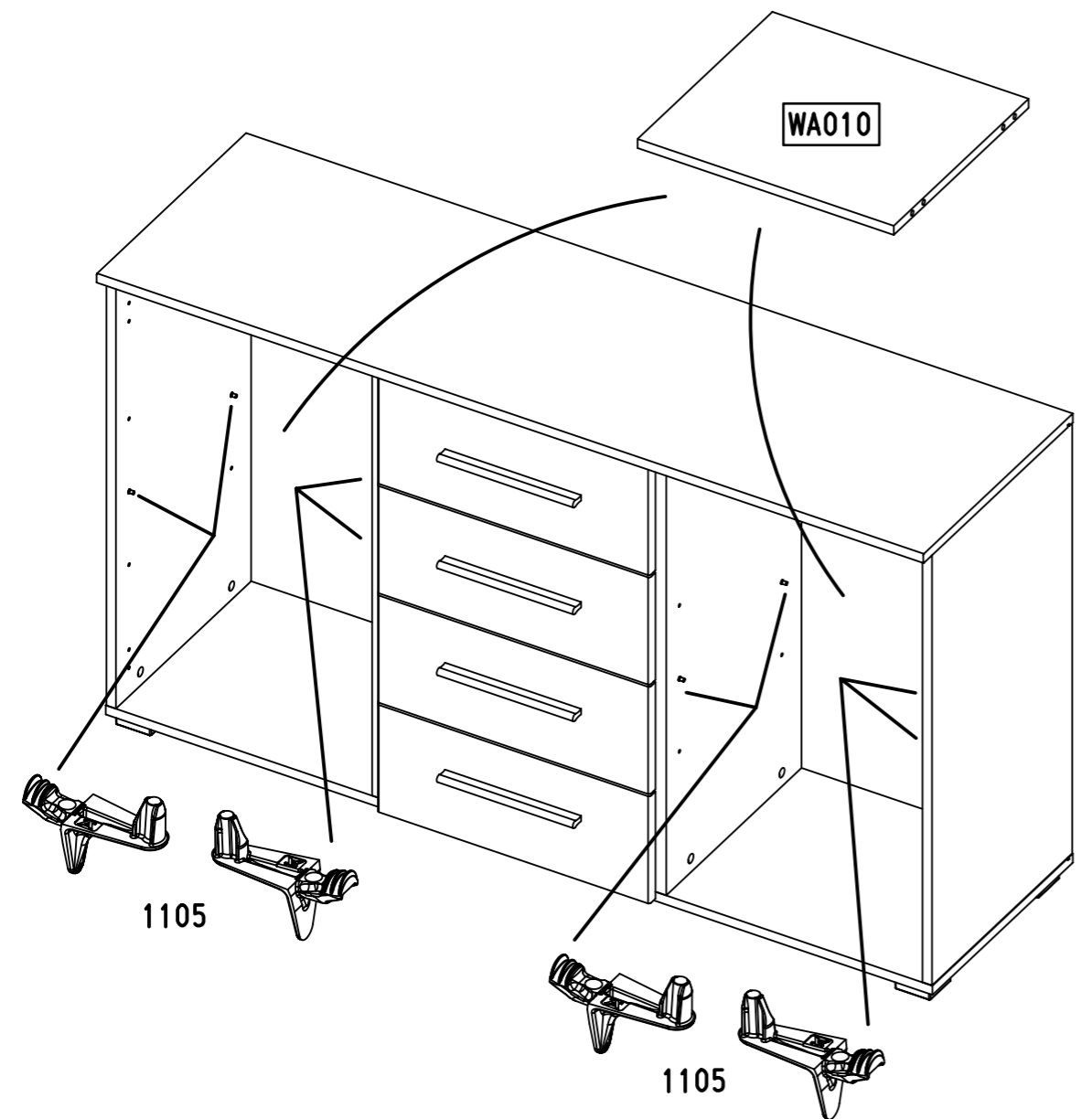
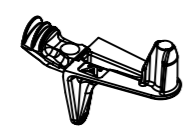
568



SK010

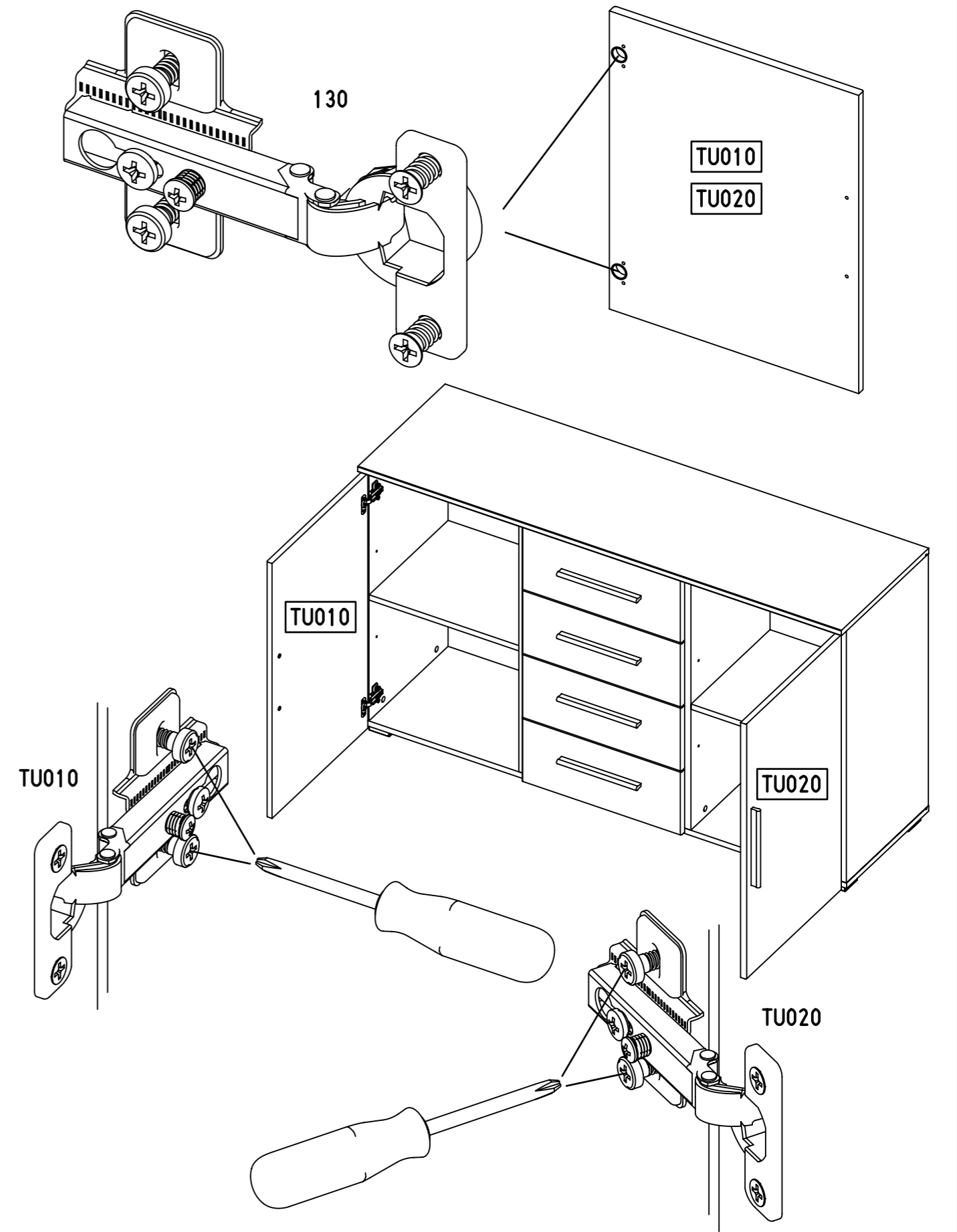
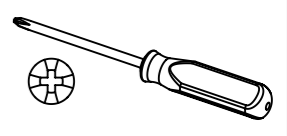
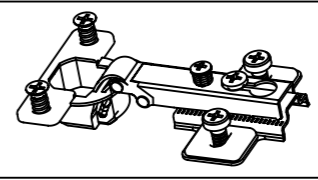
19

8x 1105



20

4x 130



21

