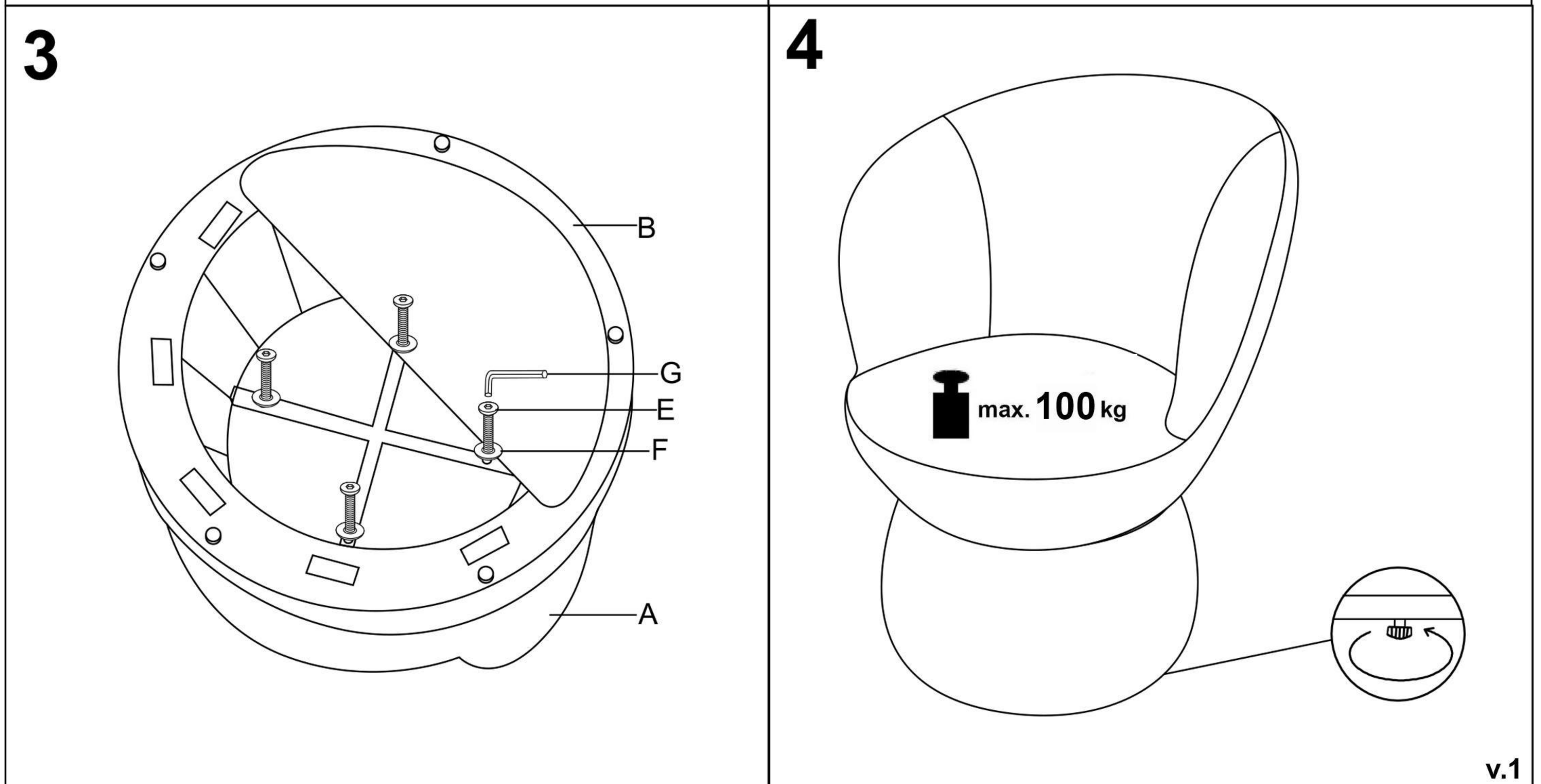
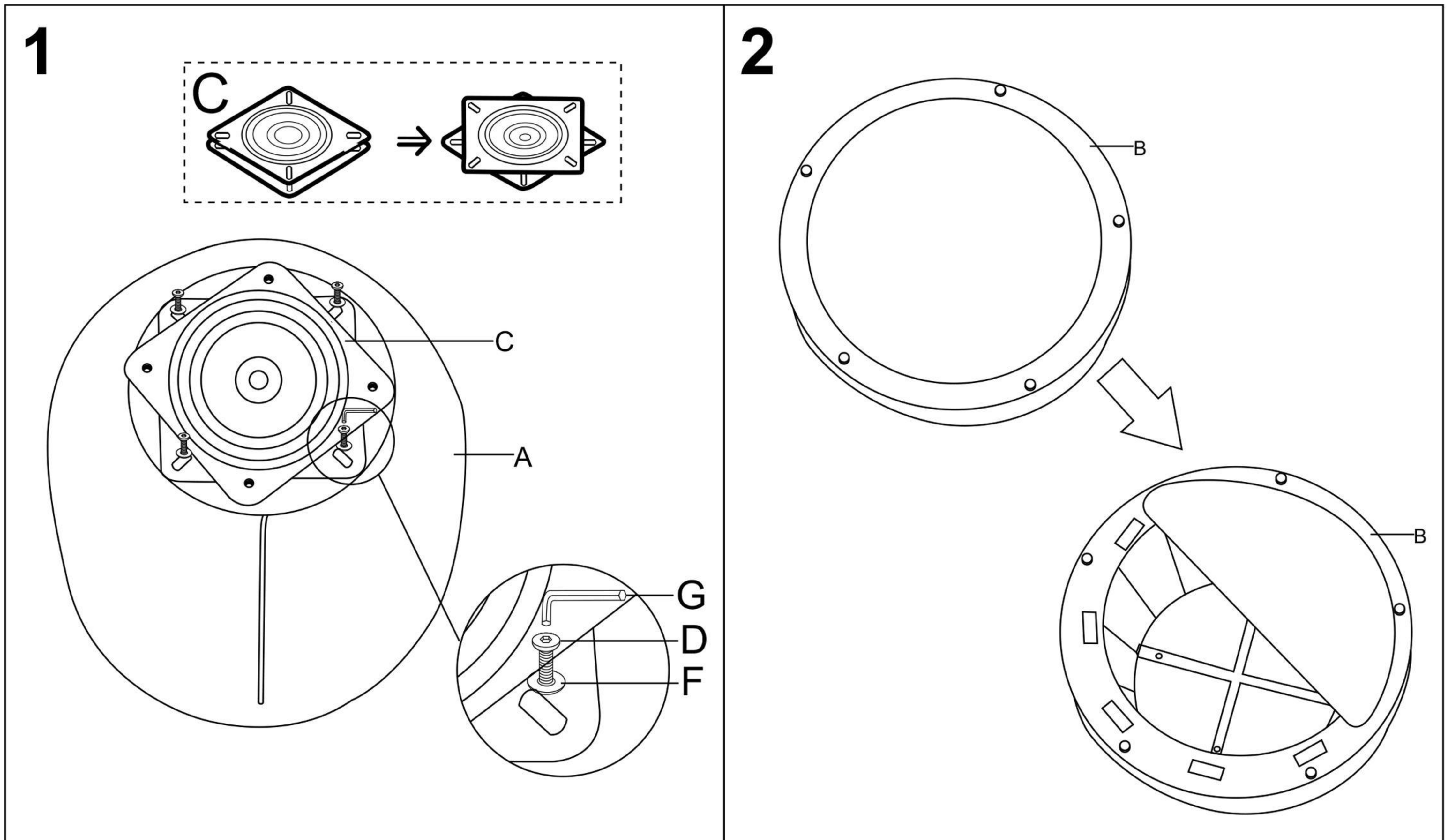


**IMPORTANT – READ CAREFULLY – RETAIN FOR FUTURE REFERENCE**  
**WICHTIG – SORGFÄLTIG LESEN UND AUFBEWAHREN**

# K581



v.1

<p>Ax1</p>	<p>Bx1</p>	<p>Cx1</p>	<p>Dx4</p> <p>M8*16mm</p>	<p>Ex4</p> <p>M8*25mm</p>	<p>Fx8</p> <p>M8*18mm</p>	<p>Gx1</p>
------------	------------	------------	---------------------------	---------------------------	---------------------------	------------