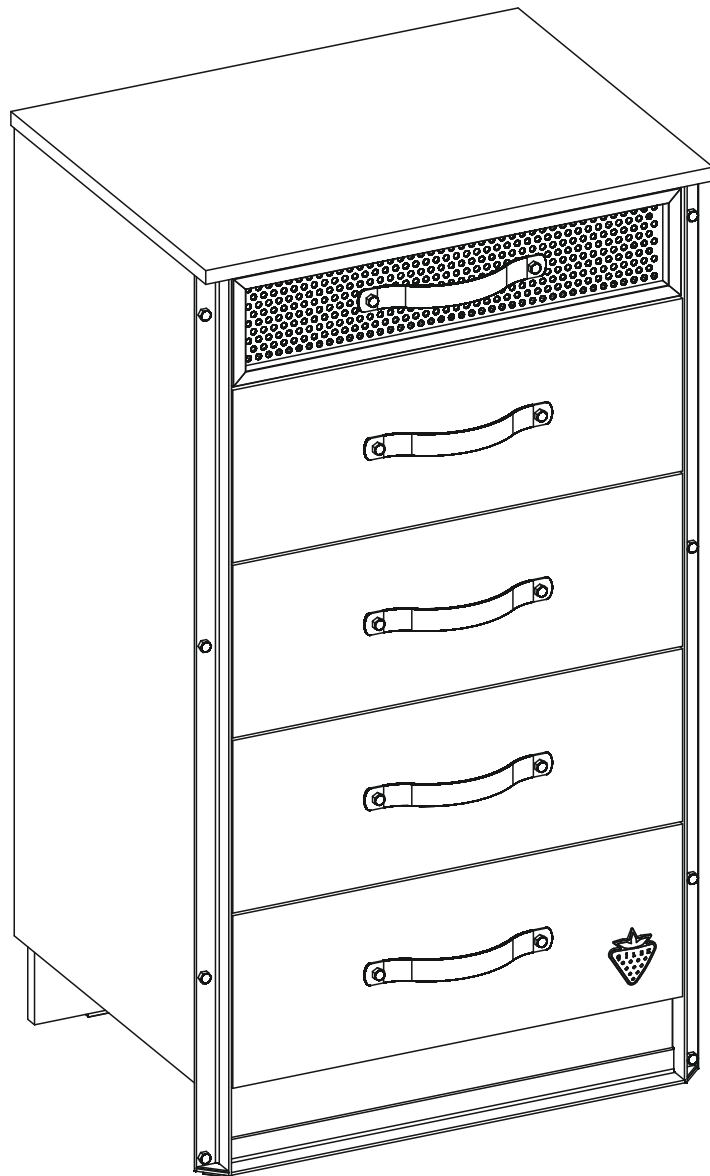
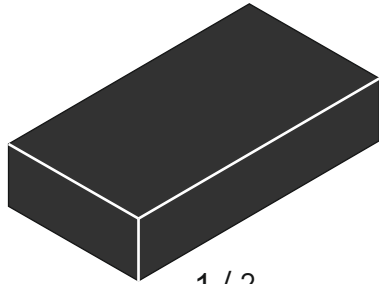
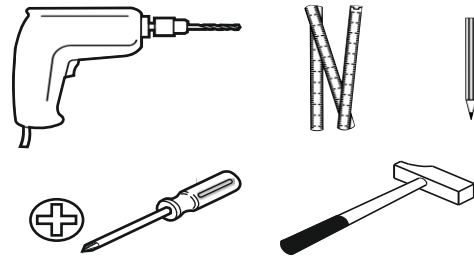
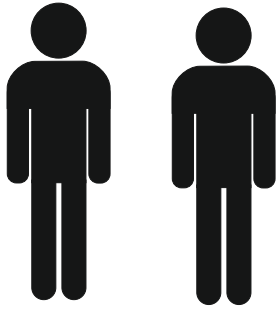
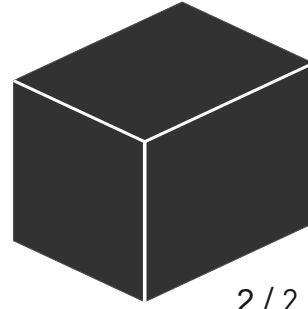


20.52.1204.00

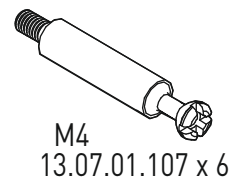
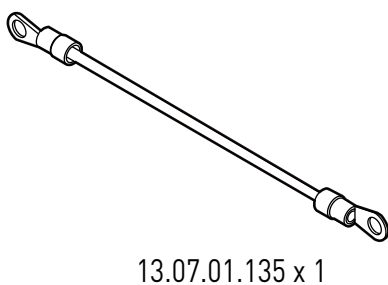
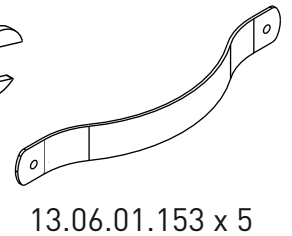
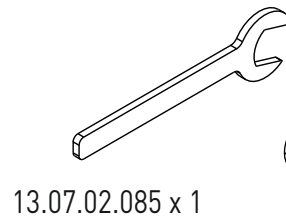
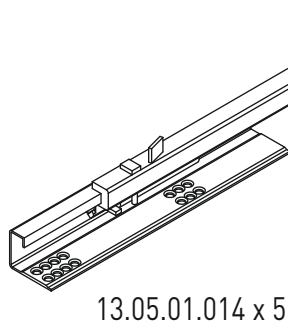
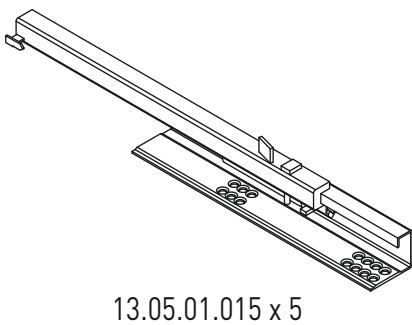
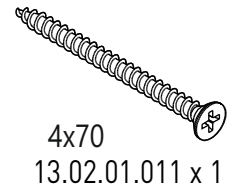
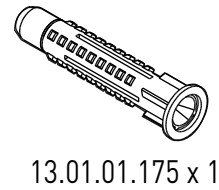
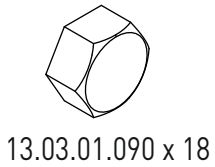
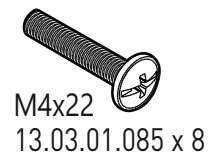
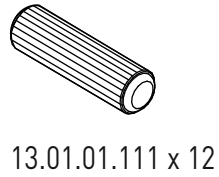




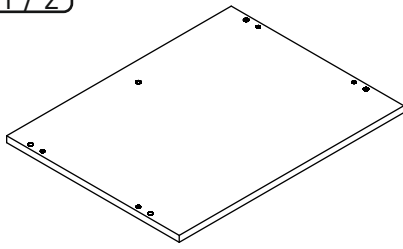
1 / 2



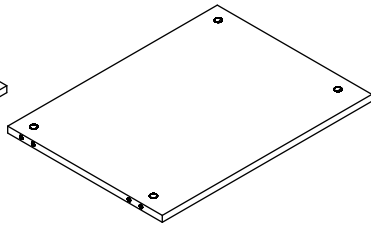
2 / 2



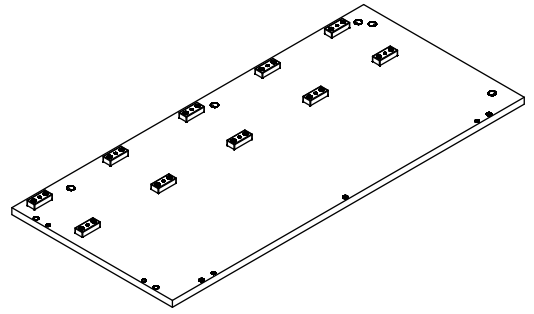
1/2



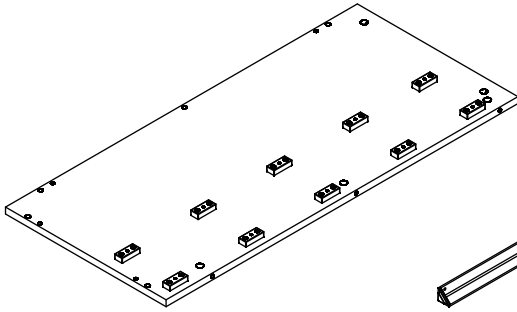
18.52.1204.001 x 1



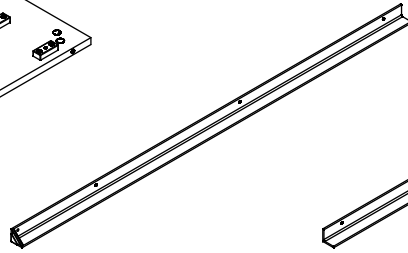
18.52.1204.004 x 1



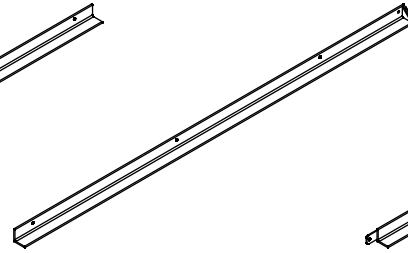
18.52.1204.002 x 1



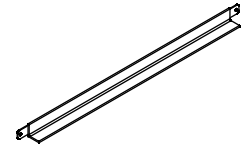
18.52.1204.003 x 1



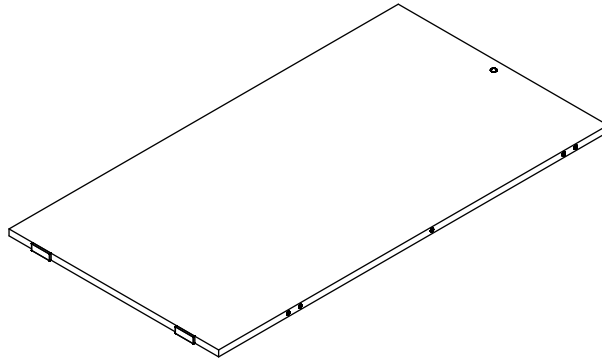
18.52.1204.201 x 1



18.52.1204.202 x 1

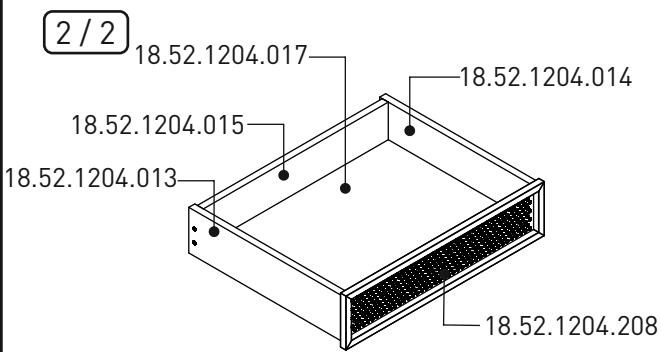


18.52.1204.203 x 1

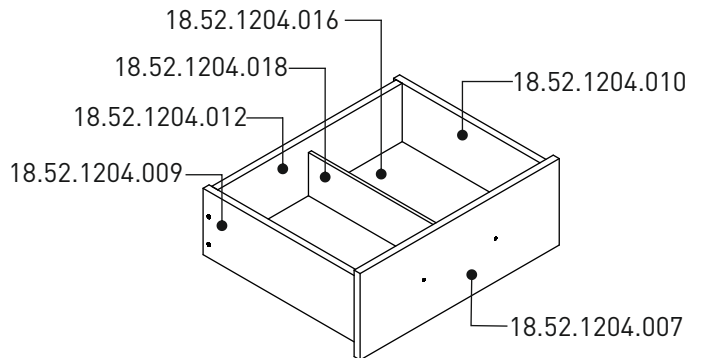


18.52.1204.005 x 1

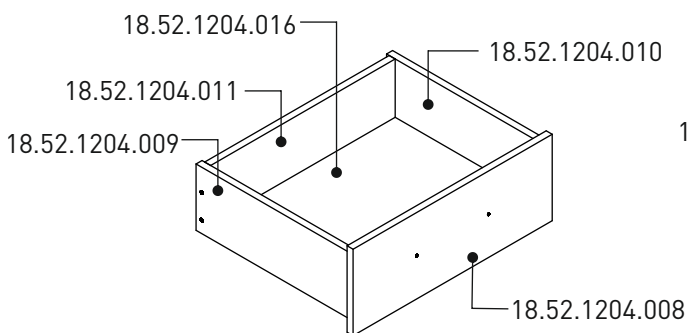
2/2



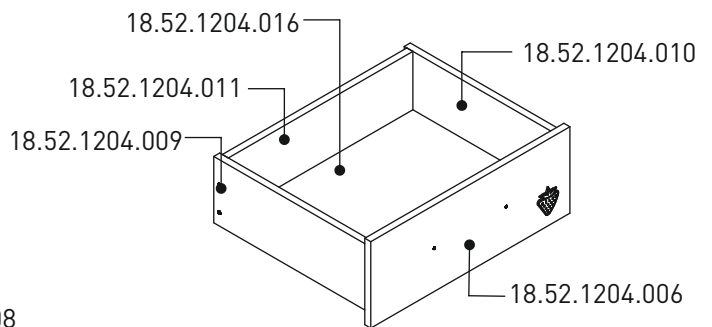
18.52.1204.019 x 1



18.52.1204.020 x 1

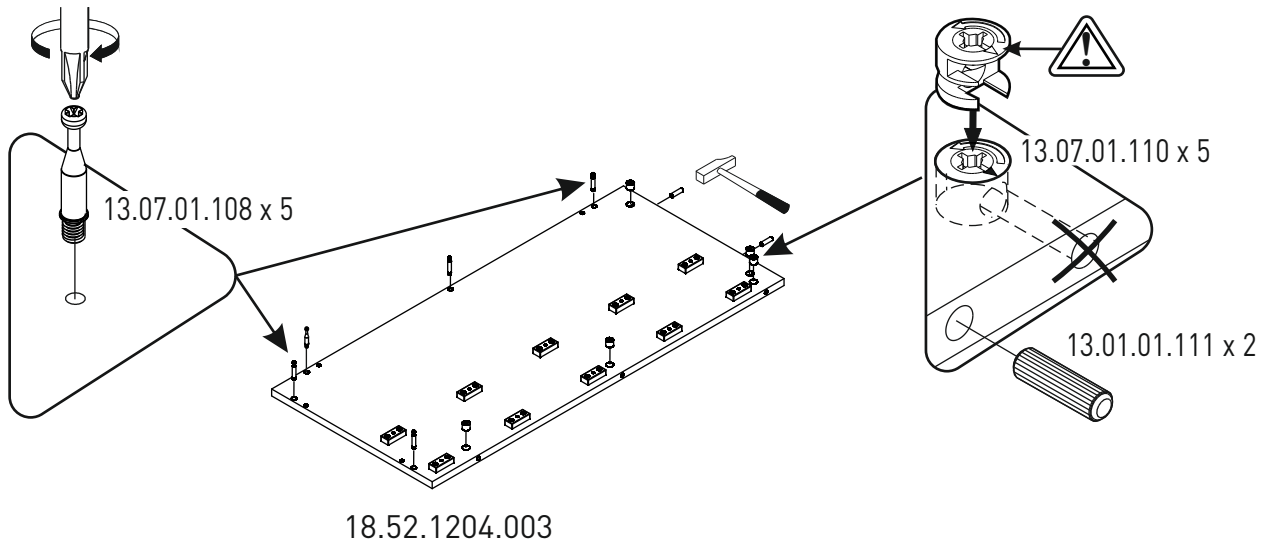


18.52.1204.021 x 2

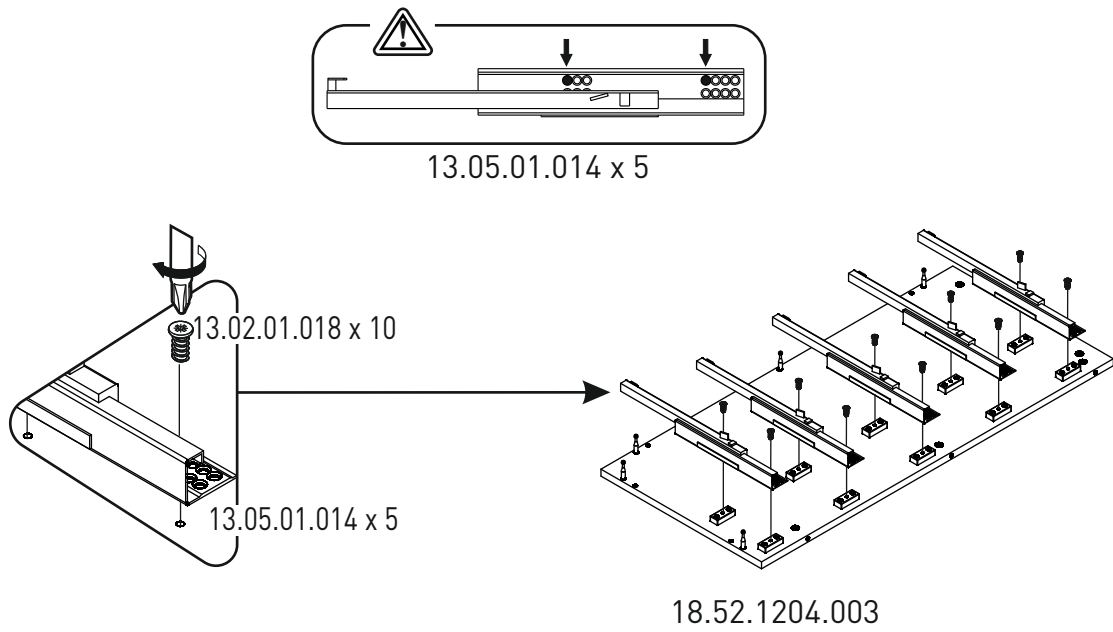


18.52.1204.022 x 1

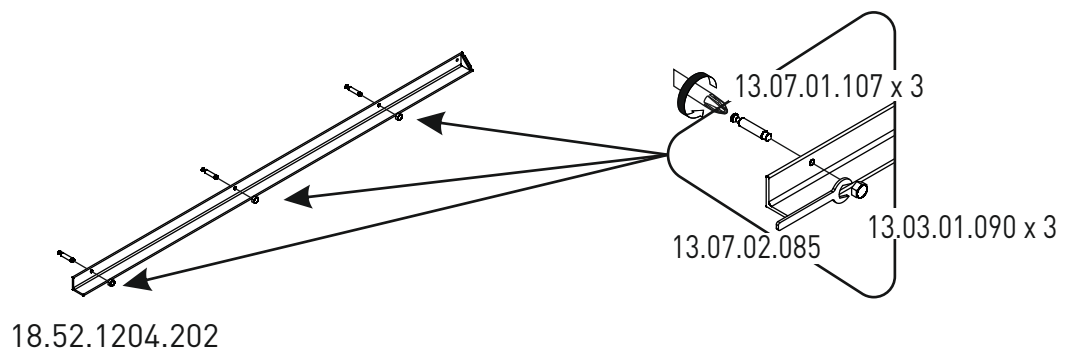
1



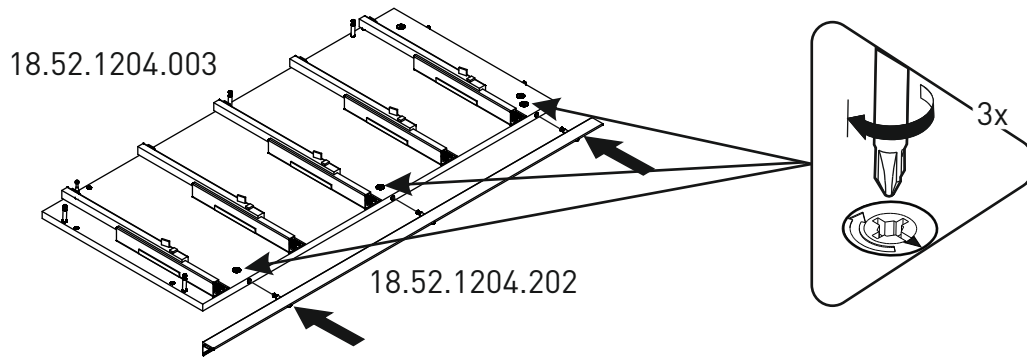
2



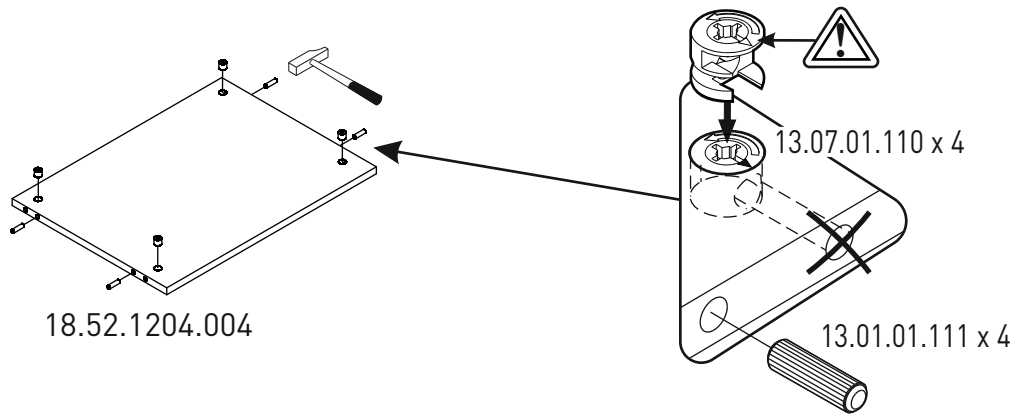
3



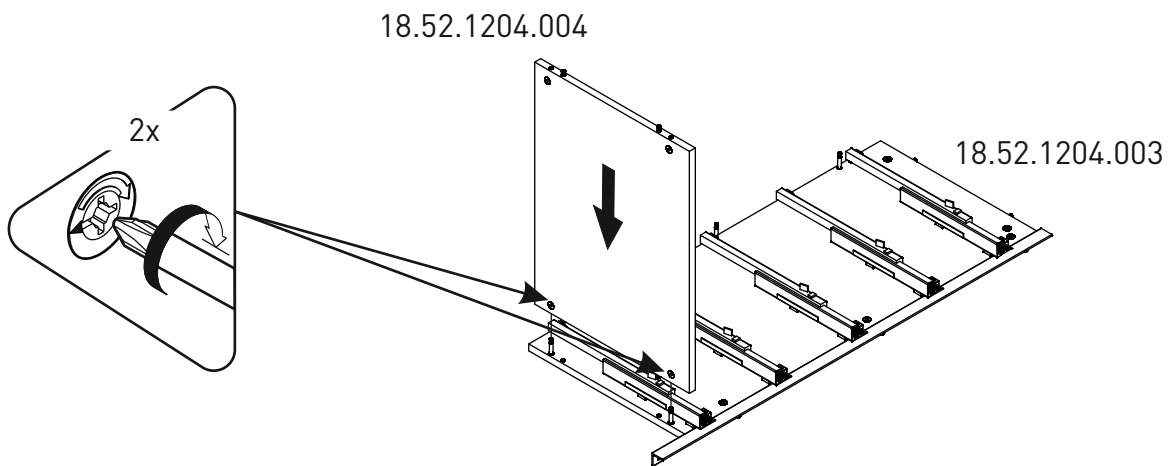
4



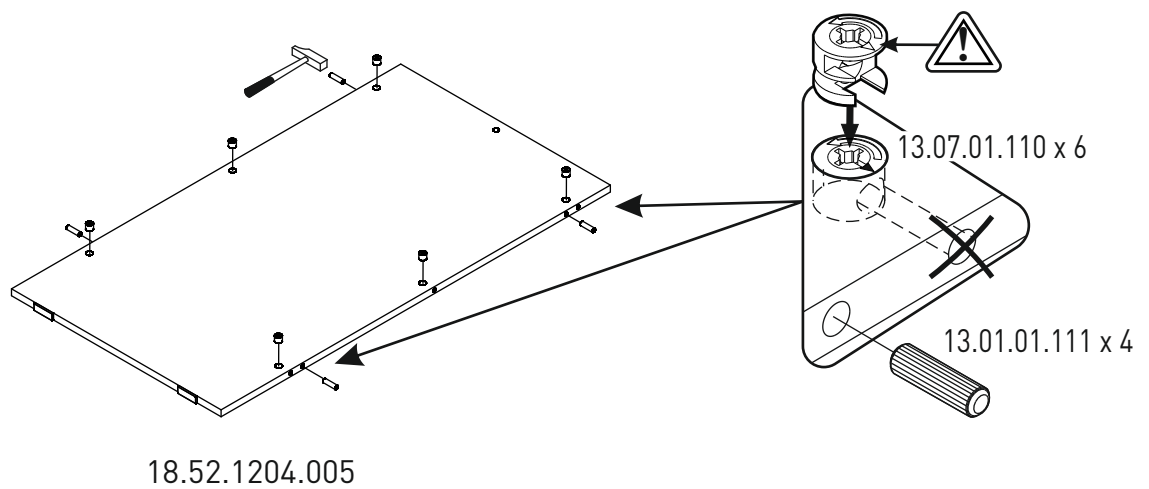
5



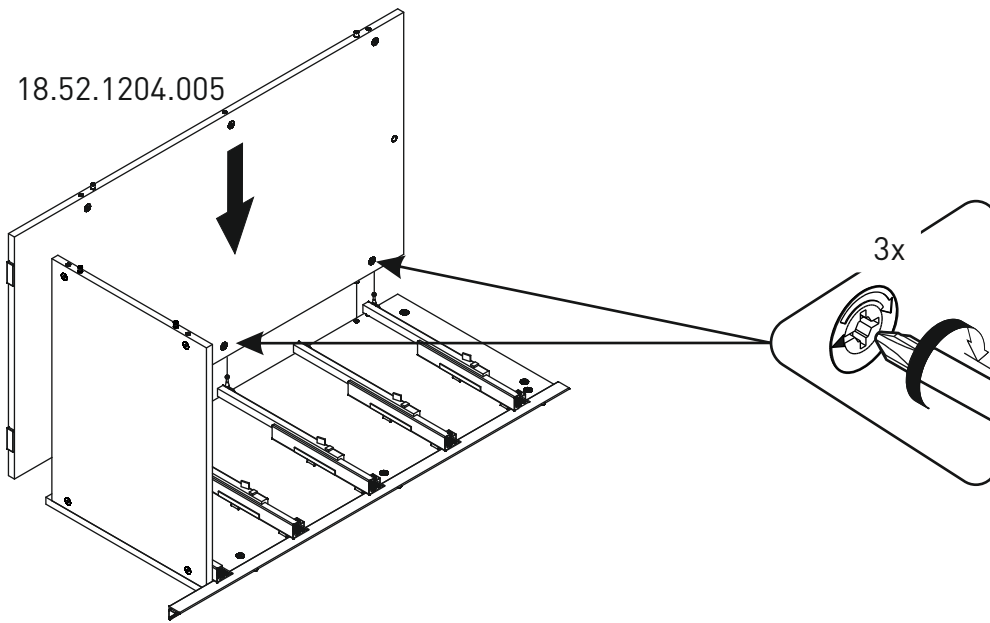
6



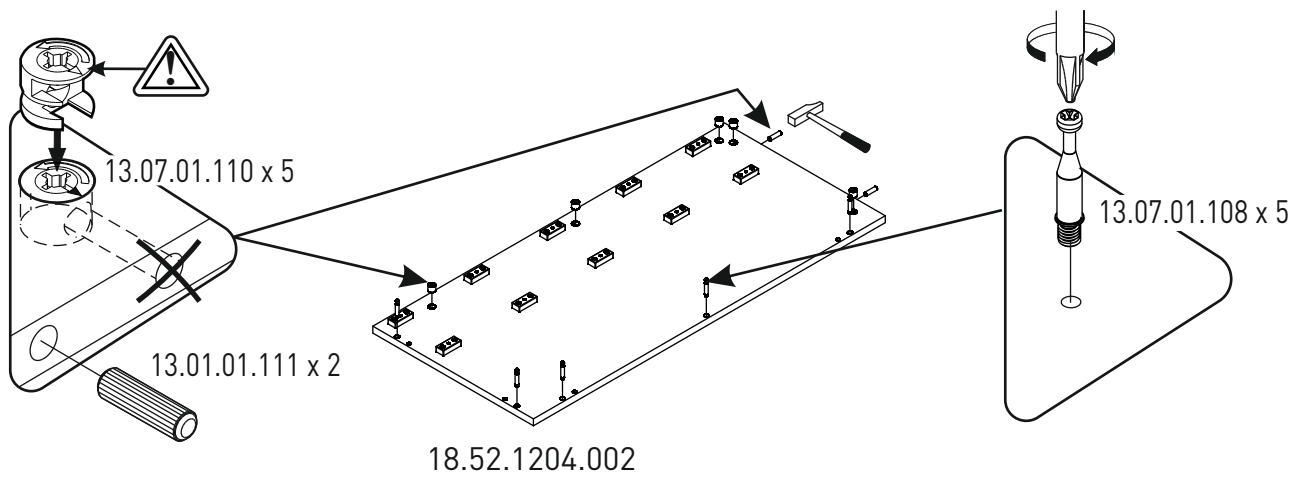
7



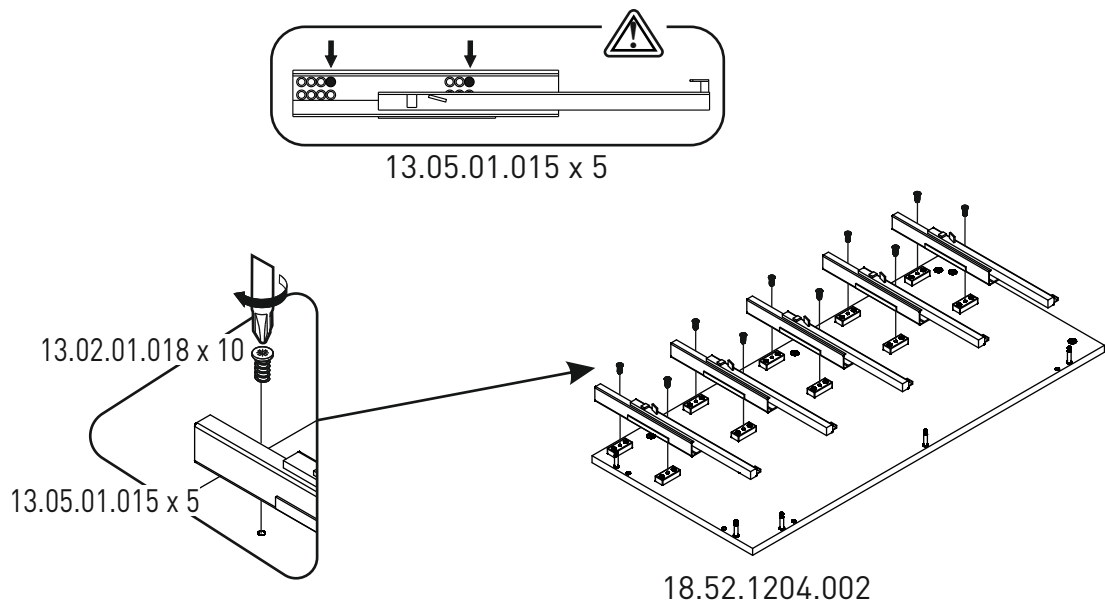
8



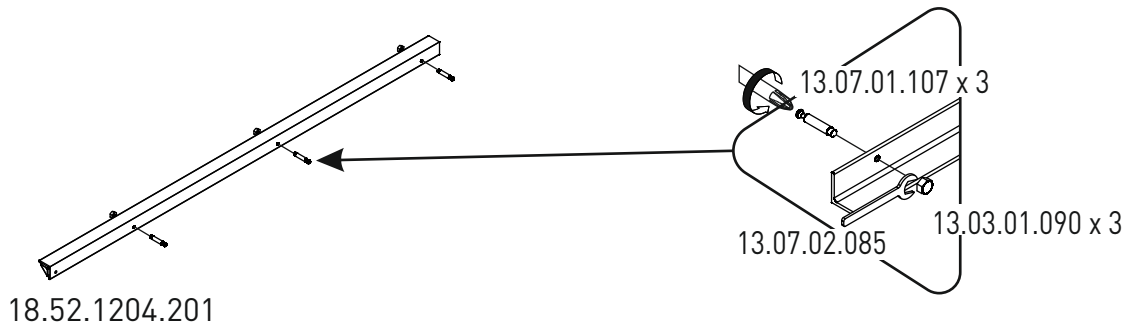
9



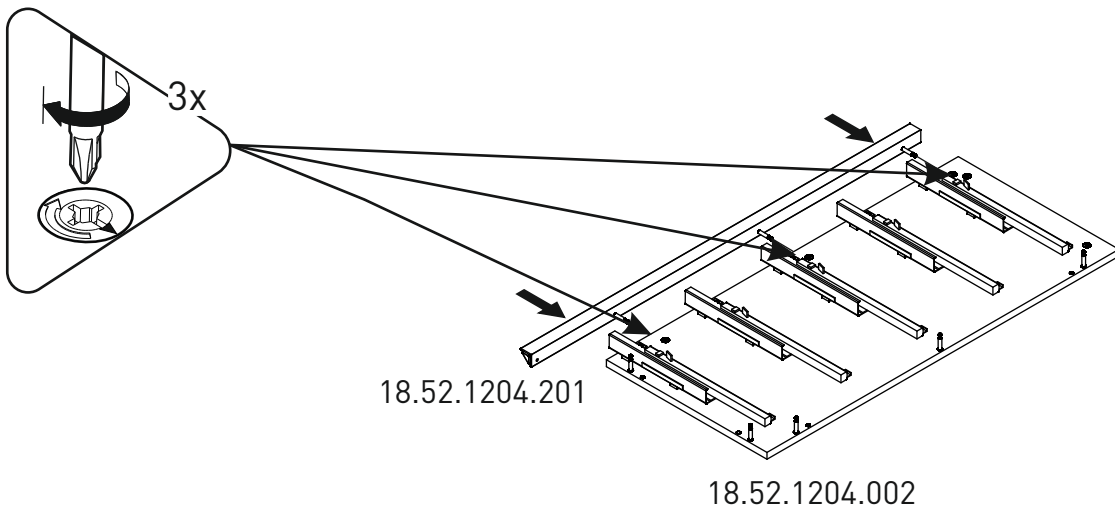
10



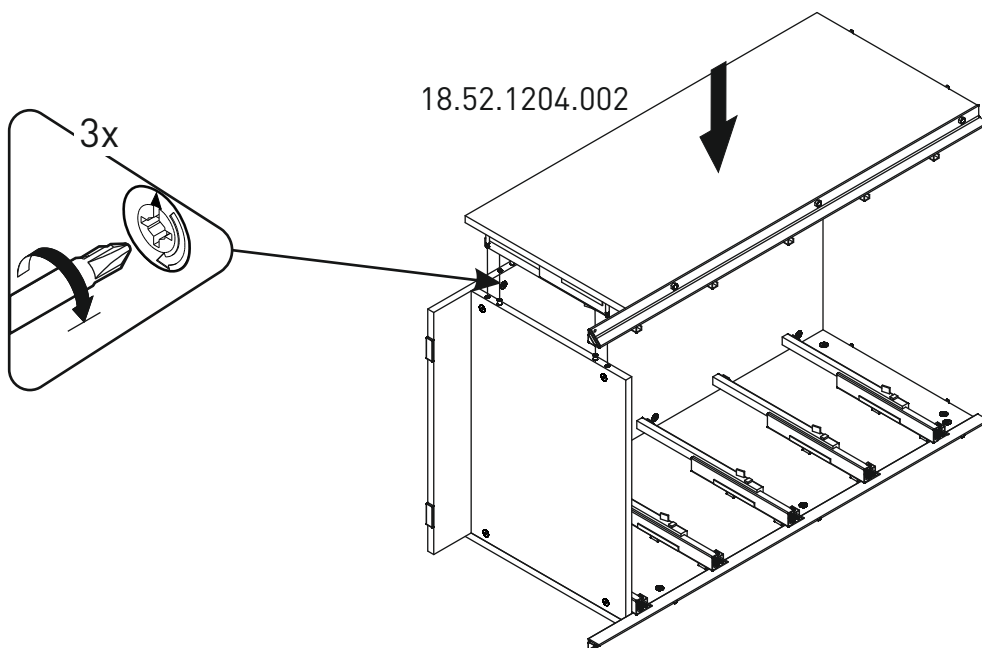
11



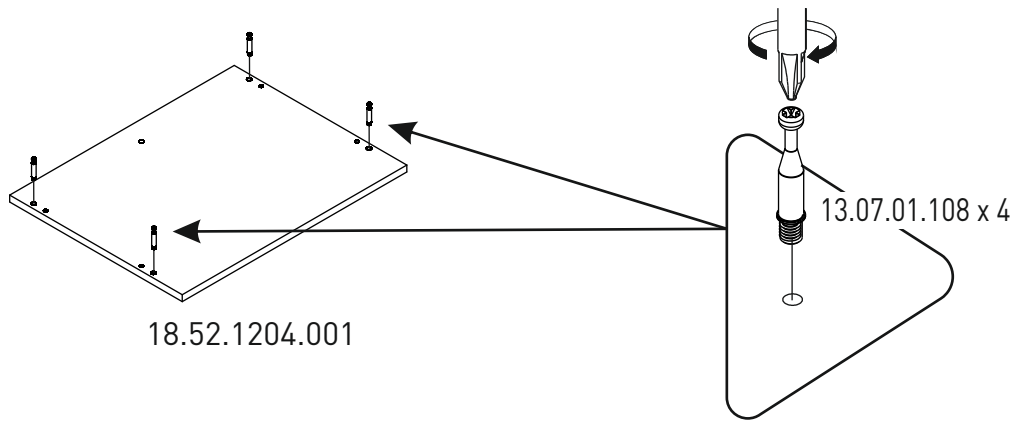
12



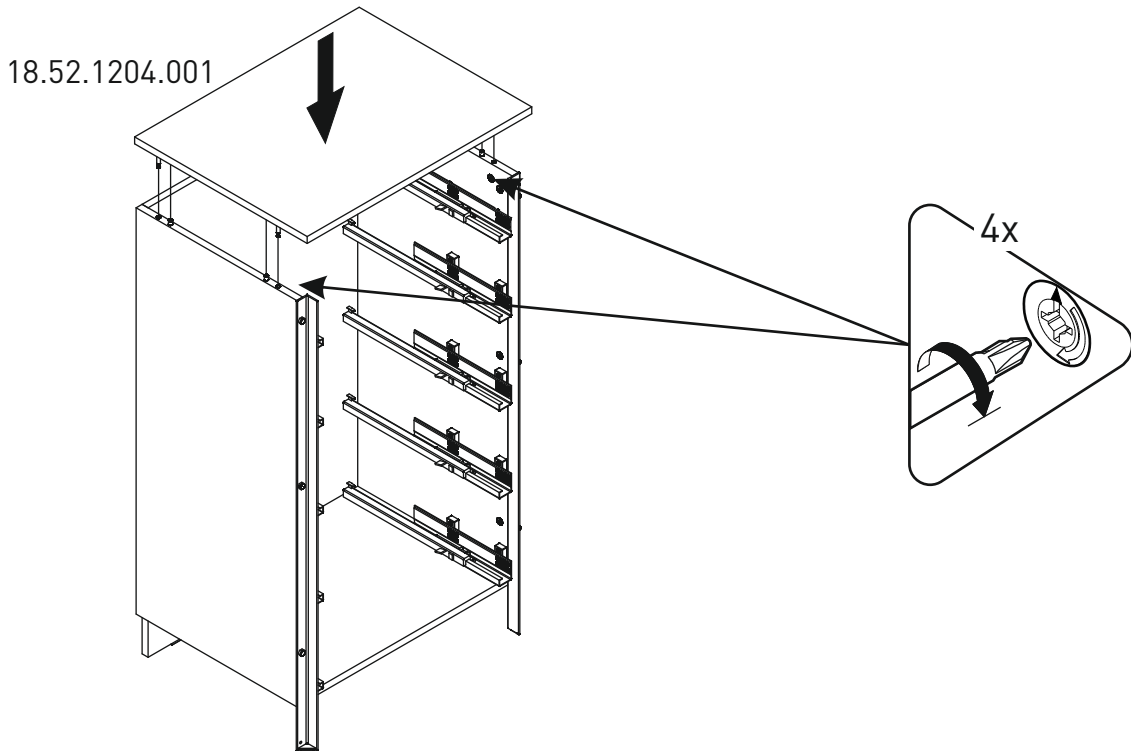
13



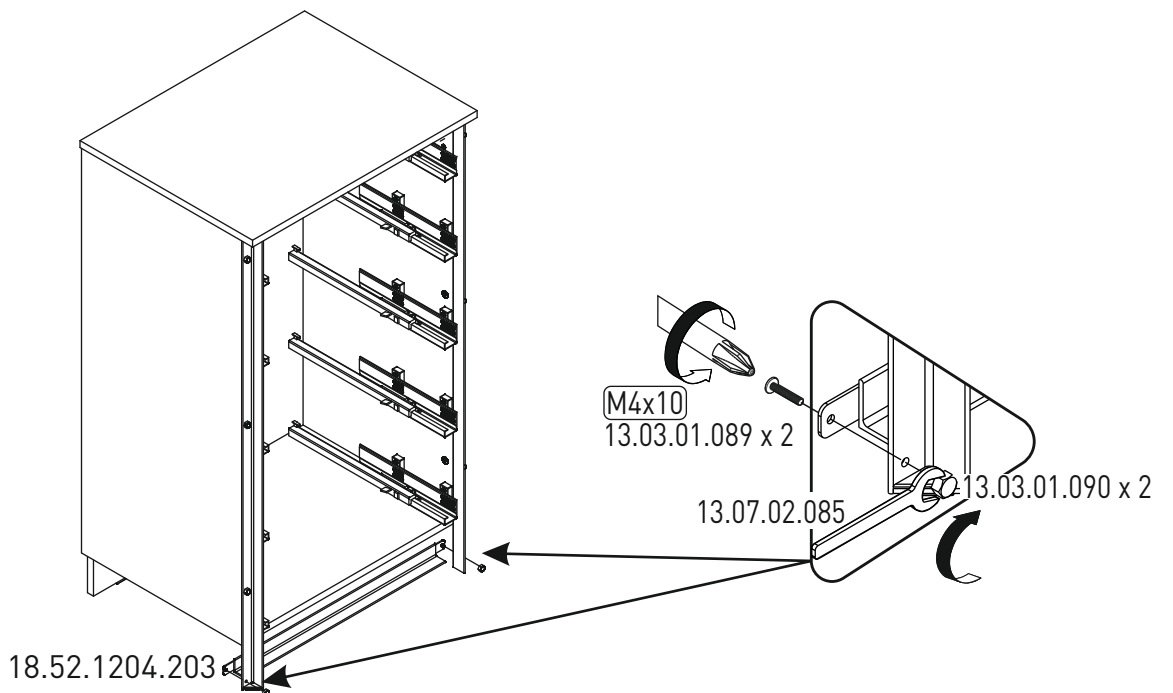
14



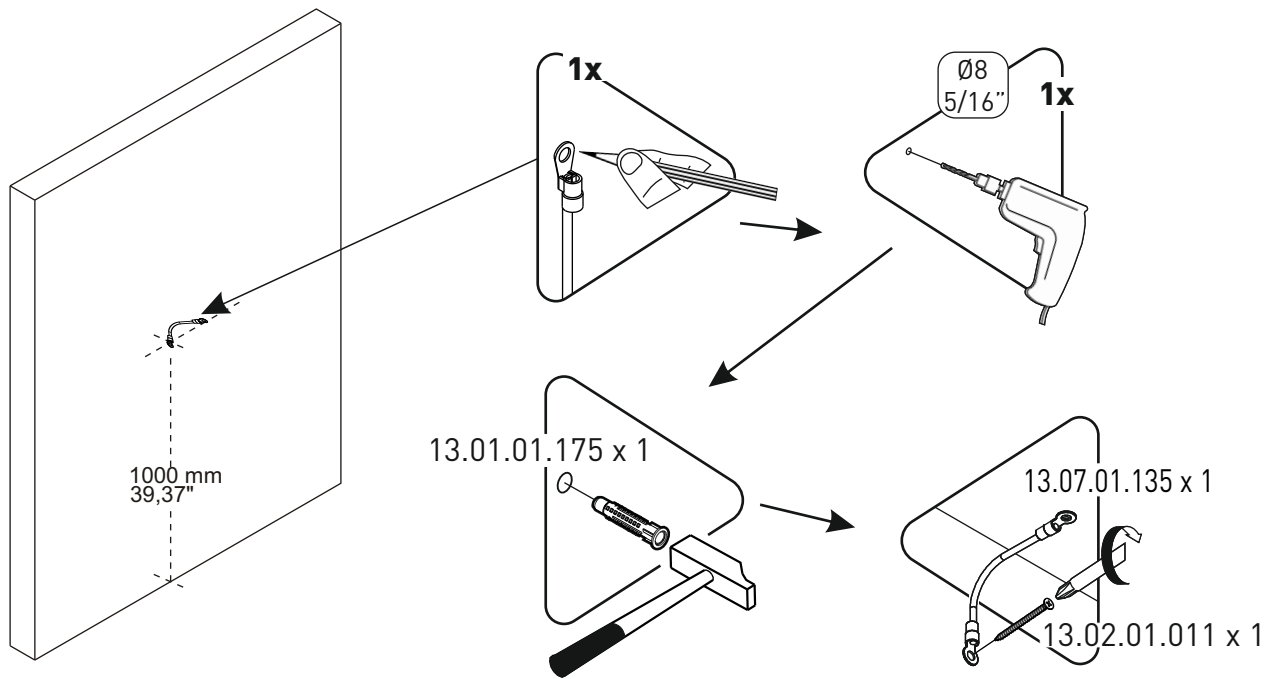
15



16



17



18

