

ACCESSORIES 1.1

rauch ORANGE

for sliding door robes



EASY
SLIDE



Colour	Colour code
Texline (natural-colour linen look)	A0033



Texline colour

Supplier: Rauch Möbelwerke GmbH

ACCESSORIES 1.1

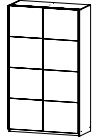
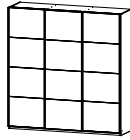
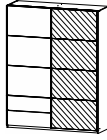
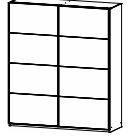
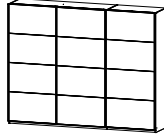
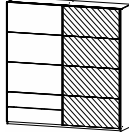
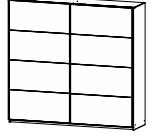
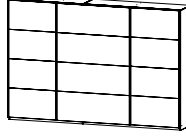
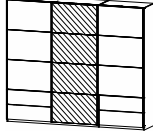
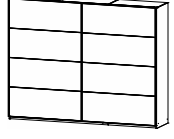
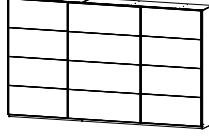
rauch ORANGE

Purchase Pricelist
Prices = invoice prices in Euro

13.02.2023 SB_JW
Valid from 01.04.2023 until revoked



Options for installing the drawer units, shelf inserts and trouser pull-out

Sliding door wardrobes, 2-door	Sliding door wardrobes, 3-door	Sliding door wardrobes with drawers																																																																																																																																												
<p>↔ 136 cm</p>  <table border="1" data-bbox="324 411 425 598"> <tr><td>67,5</td><td>67,5</td></tr> <tr><td>9860</td><td>9860</td></tr> <tr><td>9864</td><td>9864</td></tr> <tr><td>9KA1</td><td>9KA1</td></tr> <tr><td>9RA2</td><td>9RA2</td></tr> <tr><td>9MK0</td><td>9MK0</td></tr> </table>	67,5	67,5	9860	9860	9864	9864	9KA1	9KA1	9RA2	9RA2	9MK0	9MK0	<p>↔ 203 cm</p>  <table border="1" data-bbox="1041 411 1198 598"> <tr><td>67,5</td><td>67,5</td><td>67,5</td></tr> <tr><td>9860</td><td>9860</td><td>9860</td></tr> <tr><td>9864</td><td>9864</td><td>9864</td></tr> <tr><td>9KA1</td><td>9KA1</td><td>9KA1</td></tr> <tr><td>9RA2</td><td>9RA2</td><td>9RA2</td></tr> <tr><td>07G2</td><td>07G2</td><td>9MK0</td></tr> <tr><td>9MK0</td><td>9MK0</td><td>9MK0</td></tr> </table>	67,5	67,5	67,5	9860	9860	9860	9864	9864	9864	9KA1	9KA1	9KA1	9RA2	9RA2	9RA2	07G2	07G2	9MK0	9MK0	9MK0	9MK0	<p>↔ 181 cm</p>  <table border="1" data-bbox="1653 411 1792 598"> <tr><td>90</td><td>90</td></tr> <tr><td>9865</td><td>9865</td></tr> <tr><td>9866</td><td>9866</td></tr> <tr><td>9KA2</td><td>9KA2</td></tr> <tr><td>98M2</td><td>98M2</td></tr> <tr><td>9898</td><td>9898</td></tr> <tr><td>9RA1</td><td>9RA1</td></tr> <tr><td>07G1</td><td>07G1</td></tr> <tr><td>9SH0</td><td>9SH0</td></tr> </table>	90	90	9865	9865	9866	9866	9KA2	9KA2	98M2	98M2	9898	9898	9RA1	9RA1	07G1	07G1	9SH0	9SH0																																																																																									
67,5	67,5																																																																																																																																													
9860	9860																																																																																																																																													
9864	9864																																																																																																																																													
9KA1	9KA1																																																																																																																																													
9RA2	9RA2																																																																																																																																													
9MK0	9MK0																																																																																																																																													
67,5	67,5	67,5																																																																																																																																												
9860	9860	9860																																																																																																																																												
9864	9864	9864																																																																																																																																												
9KA1	9KA1	9KA1																																																																																																																																												
9RA2	9RA2	9RA2																																																																																																																																												
07G2	07G2	9MK0																																																																																																																																												
9MK0	9MK0	9MK0																																																																																																																																												
90	90																																																																																																																																													
9865	9865																																																																																																																																													
9866	9866																																																																																																																																													
9KA2	9KA2																																																																																																																																													
98M2	98M2																																																																																																																																													
9898	9898																																																																																																																																													
9RA1	9RA1																																																																																																																																													
07G1	07G1																																																																																																																																													
9SH0	9SH0																																																																																																																																													
<p>↔ 181 cm</p>  <table border="1" data-bbox="324 683 459 869"> <tr><td>90</td><td>90</td></tr> <tr><td>9865</td><td>9865</td></tr> <tr><td>9866</td><td>9866</td></tr> <tr><td>9KA2</td><td>9KA2</td></tr> <tr><td>98M2</td><td>98M2</td></tr> <tr><td>9898</td><td>9898</td></tr> <tr><td>9RA1</td><td>9RA1</td></tr> <tr><td>07G1</td><td>07G1</td></tr> <tr><td>9SH0</td><td>9SH0</td></tr> <tr><td>9MK1</td><td>9MK1</td></tr> </table>	90	90	9865	9865	9866	9866	9KA2	9KA2	98M2	98M2	9898	9898	9RA1	9RA1	07G1	07G1	9SH0	9SH0	9MK1	9MK1	<p>↔ 271 cm</p>  <table border="1" data-bbox="1041 699 1243 885"> <tr><td>90</td><td>90</td><td>90</td></tr> <tr><td>9865</td><td>9865</td><td>9865</td></tr> <tr><td>9866</td><td>9866</td><td>9866</td></tr> <tr><td>9KA2</td><td>9KA2</td><td>9KA2</td></tr> <tr><td>98M2</td><td>98M2</td><td>98M2</td></tr> <tr><td>9898</td><td>9898</td><td>9898</td></tr> <tr><td>9RA1</td><td>9RA1</td><td>9RA1</td></tr> <tr><td>07G1</td><td>07G1</td><td>9RA1</td></tr> <tr><td>9SH0</td><td>9SH0</td><td>9SH0</td></tr> <tr><td>9MK1</td><td>9MK1</td><td>9MK1</td></tr> </table>	90	90	90	9865	9865	9865	9866	9866	9866	9KA2	9KA2	9KA2	98M2	98M2	98M2	9898	9898	9898	9RA1	9RA1	9RA1	07G1	07G1	9RA1	9SH0	9SH0	9SH0	9MK1	9MK1	9MK1	<p>↔ 226 cm</p>  <table border="1" data-bbox="1653 699 1825 821"> <tr><td>112,5</td><td>112,5</td></tr> <tr><td>9804</td><td>9804</td></tr> <tr><td>9806</td><td>9806</td></tr> <tr><td>9KA4</td><td>9KA4</td></tr> </table>	112,5	112,5	9804	9804	9806	9806	9KA4	9KA4																																																																																		
90	90																																																																																																																																													
9865	9865																																																																																																																																													
9866	9866																																																																																																																																													
9KA2	9KA2																																																																																																																																													
98M2	98M2																																																																																																																																													
9898	9898																																																																																																																																													
9RA1	9RA1																																																																																																																																													
07G1	07G1																																																																																																																																													
9SH0	9SH0																																																																																																																																													
9MK1	9MK1																																																																																																																																													
90	90	90																																																																																																																																												
9865	9865	9865																																																																																																																																												
9866	9866	9866																																																																																																																																												
9KA2	9KA2	9KA2																																																																																																																																												
98M2	98M2	98M2																																																																																																																																												
9898	9898	9898																																																																																																																																												
9RA1	9RA1	9RA1																																																																																																																																												
07G1	07G1	9RA1																																																																																																																																												
9SH0	9SH0	9SH0																																																																																																																																												
9MK1	9MK1	9MK1																																																																																																																																												
112,5	112,5																																																																																																																																													
9804	9804																																																																																																																																													
9806	9806																																																																																																																																													
9KA4	9KA4																																																																																																																																													
<p>↔ 226 cm</p>  <table border="1" data-bbox="324 970 504 1189"> <tr><td>90</td><td>90</td><td>45</td></tr> <tr><td>9845</td><td>9845</td><td>9845</td></tr> <tr><td>9895</td><td>9895</td><td>9895</td></tr> <tr><td>9KA3</td><td>9KA3</td><td>9KA3</td></tr> <tr><td>98M1</td><td>98M1</td><td>98M1</td></tr> <tr><td>9865</td><td>9843</td><td>9843</td></tr> <tr><td>9866</td><td>9893</td><td>9893</td></tr> <tr><td>9KA2</td><td>9KA0</td><td>9893</td></tr> <tr><td>98M2</td><td>9RA1</td><td>9KA0</td></tr> <tr><td>9898</td><td></td><td></td></tr> <tr><td>9RA1</td><td></td><td></td></tr> <tr><td>07G1</td><td></td><td></td></tr> <tr><td>9SH0</td><td></td><td></td></tr> <tr><td>9MK1</td><td></td><td></td></tr> </table> <table border="1" data-bbox="560 970 728 1141"> <tr><td>112,5</td><td>112,5</td></tr> <tr><td>9804</td><td>9804</td></tr> <tr><td>9806</td><td>9806</td></tr> <tr><td>9KA4</td><td>9KA4</td></tr> </table>	90	90	45	9845	9845	9845	9895	9895	9895	9KA3	9KA3	9KA3	98M1	98M1	98M1	9865	9843	9843	9866	9893	9893	9KA2	9KA0	9893	98M2	9RA1	9KA0	9898			9RA1			07G1			9SH0			9MK1			112,5	112,5	9804	9804	9806	9806	9KA4	9KA4	<p>↔ 316 cm</p>  <table border="1" data-bbox="1041 970 1288 1189"> <tr><td>90</td><td>45</td><td>90</td><td>90</td></tr> <tr><td>9845</td><td>9845</td><td>9845</td><td>9845</td></tr> <tr><td>9895</td><td>9895</td><td>9895</td><td>9895</td></tr> <tr><td>9KA3</td><td>9KA3</td><td>9KA3</td><td>9KA3</td></tr> <tr><td>98M1</td><td>98M1</td><td>98M1</td><td>98M1</td></tr> <tr><td>9865</td><td>9865</td><td>9865</td><td>9865</td></tr> <tr><td>9866</td><td>9866</td><td>9866</td><td>9866</td></tr> <tr><td>9KA2</td><td>9843</td><td>9843</td><td>9KA2</td></tr> <tr><td>98M2</td><td>9893</td><td>9RA1</td><td>9KA2</td></tr> <tr><td>9898</td><td>9KA0</td><td></td><td>98M2</td></tr> <tr><td>9898</td><td></td><td></td><td>9898</td></tr> <tr><td>9RA1</td><td></td><td></td><td>9RA1</td></tr> <tr><td>07G1</td><td></td><td></td><td>07G1</td></tr> <tr><td>9SH0</td><td></td><td></td><td>9SH0</td></tr> <tr><td>9MK1</td><td></td><td></td><td>9MK1</td></tr> </table>	90	45	90	90	9845	9845	9845	9845	9895	9895	9895	9895	9KA3	9KA3	9KA3	9KA3	98M1	98M1	98M1	98M1	9865	9865	9865	9865	9866	9866	9866	9866	9KA2	9843	9843	9KA2	98M2	9893	9RA1	9KA2	9898	9KA0		98M2	9898			9898	9RA1			9RA1	07G1			07G1	9SH0			9SH0	9MK1			9MK1	<p>↔ 271 cm</p>  <table border="1" data-bbox="1653 970 1859 1141"> <tr><td>90</td><td>90</td><td>90</td></tr> <tr><td>9865</td><td>9865</td><td>9865</td></tr> <tr><td>9866</td><td>9866</td><td>9866</td></tr> <tr><td>9KA2</td><td>9KA2</td><td>9KA2</td></tr> <tr><td>98M2</td><td>98M2</td><td>98M2</td></tr> <tr><td>9898</td><td>9898</td><td>9898</td></tr> <tr><td>9RA1</td><td>9RA1</td><td>9RA1</td></tr> <tr><td>07G1</td><td>07G1</td><td>07G1</td></tr> <tr><td>9SH0</td><td>9SH0</td><td>9SH0</td></tr> <tr><td>9MK1</td><td>9MK1</td><td>9MK1</td></tr> </table>	90	90	90	9865	9865	9865	9866	9866	9866	9KA2	9KA2	9KA2	98M2	98M2	98M2	9898	9898	9898	9RA1	9RA1	9RA1	07G1	07G1	07G1	9SH0	9SH0	9SH0	9MK1	9MK1	9MK1
90	90	45																																																																																																																																												
9845	9845	9845																																																																																																																																												
9895	9895	9895																																																																																																																																												
9KA3	9KA3	9KA3																																																																																																																																												
98M1	98M1	98M1																																																																																																																																												
9865	9843	9843																																																																																																																																												
9866	9893	9893																																																																																																																																												
9KA2	9KA0	9893																																																																																																																																												
98M2	9RA1	9KA0																																																																																																																																												
9898																																																																																																																																														
9RA1																																																																																																																																														
07G1																																																																																																																																														
9SH0																																																																																																																																														
9MK1																																																																																																																																														
112,5	112,5																																																																																																																																													
9804	9804																																																																																																																																													
9806	9806																																																																																																																																													
9KA4	9KA4																																																																																																																																													
90	45	90	90																																																																																																																																											
9845	9845	9845	9845																																																																																																																																											
9895	9895	9895	9895																																																																																																																																											
9KA3	9KA3	9KA3	9KA3																																																																																																																																											
98M1	98M1	98M1	98M1																																																																																																																																											
9865	9865	9865	9865																																																																																																																																											
9866	9866	9866	9866																																																																																																																																											
9KA2	9843	9843	9KA2																																																																																																																																											
98M2	9893	9RA1	9KA2																																																																																																																																											
9898	9KA0		98M2																																																																																																																																											
9898			9898																																																																																																																																											
9RA1			9RA1																																																																																																																																											
07G1			07G1																																																																																																																																											
9SH0			9SH0																																																																																																																																											
9MK1			9MK1																																																																																																																																											
90	90	90																																																																																																																																												
9865	9865	9865																																																																																																																																												
9866	9866	9866																																																																																																																																												
9KA2	9KA2	9KA2																																																																																																																																												
98M2	98M2	98M2																																																																																																																																												
9898	9898	9898																																																																																																																																												
9RA1	9RA1	9RA1																																																																																																																																												
07G1	07G1	07G1																																																																																																																																												
9SH0	9SH0	9SH0																																																																																																																																												
9MK1	9MK1	9MK1																																																																																																																																												
<p>↔ 271 cm</p>  <table border="1" data-bbox="324 1257 526 1476"> <tr><td>90</td><td>90</td><td>90</td></tr> <tr><td>9845</td><td>9845</td><td>9845</td></tr> <tr><td>9895</td><td>9895</td><td>9895</td></tr> <tr><td>9KA3</td><td>9KA3</td><td>9KA3</td></tr> <tr><td>98M1</td><td>98M1</td><td>98M1</td></tr> <tr><td>9865</td><td>9865</td><td>9865</td></tr> <tr><td>9866</td><td>9866</td><td>9866</td></tr> <tr><td>9KA2</td><td>9KA2</td><td>9KA2</td></tr> <tr><td>98M2</td><td>98M2</td><td>98M2</td></tr> <tr><td>9898</td><td>9898</td><td>9898</td></tr> <tr><td>9RA1</td><td>9RA1</td><td>9RA1</td></tr> <tr><td>07G1</td><td>07G1</td><td>07G1</td></tr> <tr><td>9SH0</td><td>9SH0</td><td>9SH0</td></tr> <tr><td>9MK1</td><td>9MK1</td><td>9MK1</td></tr> </table>	90	90	90	9845	9845	9845	9895	9895	9895	9KA3	9KA3	9KA3	98M1	98M1	98M1	9865	9865	9865	9866	9866	9866	9KA2	9KA2	9KA2	98M2	98M2	98M2	9898	9898	9898	9RA1	9RA1	9RA1	07G1	07G1	07G1	9SH0	9SH0	9SH0	9MK1	9MK1	9MK1	<p>↔ 361 cm</p>  <table border="1" data-bbox="1041 1257 1321 1476"> <tr><td>45</td><td>90</td><td>90</td><td>90</td><td>45</td></tr> <tr><td>9845</td><td>9845</td><td>9845</td><td>9845</td><td>9845</td></tr> <tr><td>9895</td><td>9895</td><td>9895</td><td>9895</td><td>9895</td></tr> <tr><td>9KA3</td><td>9KA3</td><td>9865</td><td>9KA3</td><td>9865</td></tr> <tr><td>98M1</td><td>98M1</td><td>9866</td><td>98M1</td><td>9866</td></tr> <tr><td>9865</td><td>9865</td><td>9KA2</td><td>9865</td><td>9865</td></tr> <tr><td>9866</td><td>9866</td><td>98M2</td><td>9866</td><td>9866</td></tr> <tr><td>9893</td><td>9KA2</td><td>9898</td><td>9KA2</td><td>9898</td></tr> <tr><td>98M2</td><td>98M2</td><td>9RA1</td><td>98M2</td><td>9898</td></tr> <tr><td>9898</td><td>9898</td><td>07G1</td><td>9898</td><td>9898</td></tr> <tr><td>9RA1</td><td>9RA1</td><td>9SH0</td><td>9RA1</td><td>9898</td></tr> <tr><td>07G1</td><td>07G1</td><td>9MK1</td><td>07G1</td><td>9898</td></tr> <tr><td>9SH0</td><td>9SH0</td><td></td><td>9SH0</td><td>9898</td></tr> <tr><td>9MK1</td><td>9MK1</td><td></td><td>9MK1</td><td>9898</td></tr> </table>	45	90	90	90	45	9845	9845	9845	9845	9845	9895	9895	9895	9895	9895	9KA3	9KA3	9865	9KA3	9865	98M1	98M1	9866	98M1	9866	9865	9865	9KA2	9865	9865	9866	9866	98M2	9866	9866	9893	9KA2	9898	9KA2	9898	98M2	98M2	9RA1	98M2	9898	9898	9898	07G1	9898	9898	9RA1	9RA1	9SH0	9RA1	9898	07G1	07G1	9MK1	07G1	9898	9SH0	9SH0		9SH0	9898	9MK1	9MK1		9MK1	9898																													
90	90	90																																																																																																																																												
9845	9845	9845																																																																																																																																												
9895	9895	9895																																																																																																																																												
9KA3	9KA3	9KA3																																																																																																																																												
98M1	98M1	98M1																																																																																																																																												
9865	9865	9865																																																																																																																																												
9866	9866	9866																																																																																																																																												
9KA2	9KA2	9KA2																																																																																																																																												
98M2	98M2	98M2																																																																																																																																												
9898	9898	9898																																																																																																																																												
9RA1	9RA1	9RA1																																																																																																																																												
07G1	07G1	07G1																																																																																																																																												
9SH0	9SH0	9SH0																																																																																																																																												
9MK1	9MK1	9MK1																																																																																																																																												
45	90	90	90	45																																																																																																																																										
9845	9845	9845	9845	9845																																																																																																																																										
9895	9895	9895	9895	9895																																																																																																																																										
9KA3	9KA3	9865	9KA3	9865																																																																																																																																										
98M1	98M1	9866	98M1	9866																																																																																																																																										
9865	9865	9KA2	9865	9865																																																																																																																																										
9866	9866	98M2	9866	9866																																																																																																																																										
9893	9KA2	9898	9KA2	9898																																																																																																																																										
98M2	98M2	9RA1	98M2	9898																																																																																																																																										
9898	9898	07G1	9898	9898																																																																																																																																										
9RA1	9RA1	9SH0	9RA1	9898																																																																																																																																										
07G1	07G1	9MK1	07G1	9898																																																																																																																																										
9SH0	9SH0		9SH0	9898																																																																																																																																										
9MK1	9MK1		9MK1	9898																																																																																																																																										

Options for installing the drawer units, shelf inserts and trouser pull-out

Hinged/sliding door wardrobes with drawers	Synchronous sliding door wardrobes	Hinged/synchronous sliding door wardrobes with drawers																																																																																				
<p>↔ 181 cm</p> <table border="1"> <tr><td>90</td><td>90</td></tr> <tr><td>9865</td><td>9865</td></tr> <tr><td>9866</td><td>9866</td></tr> <tr><td>9KA2</td><td>9KA2</td></tr> <tr><td>98M2</td><td>98M2</td></tr> <tr><td>9898</td><td>9898</td></tr> <tr><td>9RA1</td><td>9RA1</td></tr> <tr><td>9SH0</td><td>9SH0</td></tr> </table>	90	90	9865	9865	9866	9866	9KA2	9KA2	98M2	98M2	9898	9898	9RA1	9RA1	9SH0	9SH0	<p>↔ 271 cm</p> <table border="1"> <tr><td>67,5</td><td>67,5</td><td>67,5</td><td>67,5</td></tr> <tr><td>9860</td><td>9860</td><td>9860</td><td>9860</td></tr> <tr><td>9864</td><td>9864</td><td>9864</td><td>9864</td></tr> <tr><td>9KA1</td><td>9KA1</td><td>9KA1</td><td>9KA1</td></tr> <tr><td>9RA2</td><td>9RA2</td><td>9RA2</td><td>9RA2</td></tr> <tr><td>07G2</td><td>07G2</td><td>07G2</td><td>07G2</td></tr> </table>	67,5	67,5	67,5	67,5	9860	9860	9860	9860	9864	9864	9864	9864	9KA1	9KA1	9KA1	9KA1	9RA2	9RA2	9RA2	9RA2	07G2	07G2	07G2	07G2	<p>↔ 316 cm</p> <table border="1"> <tr><td>90</td><td>45</td><td>90</td><td>90</td></tr> <tr><td>9845</td><td></td><td>9845</td><td>9845</td></tr> <tr><td>9895</td><td></td><td>9895</td><td>9895</td></tr> <tr><td>9KA3</td><td></td><td>9KA3</td><td>9KA3</td></tr> <tr><td>98M1</td><td></td><td>98M1</td><td>98M1</td></tr> <tr><td>9KA2</td><td></td><td>9KA2</td><td>9KA2</td></tr> <tr><td>98M2</td><td></td><td>98M2</td><td>98M2</td></tr> <tr><td>9898</td><td></td><td>9898</td><td>9898</td></tr> <tr><td>9RA1</td><td></td><td>9RA1</td><td>9RA1</td></tr> <tr><td>07G1</td><td></td><td>07G1</td><td>07G1</td></tr> <tr><td>9SH0</td><td></td><td>9SH0</td><td>9SH0</td></tr> </table>	90	45	90	90	9845		9845	9845	9895		9895	9895	9KA3		9KA3	9KA3	98M1		98M1	98M1	9KA2		9KA2	9KA2	98M2		98M2	98M2	9898		9898	9898	9RA1		9RA1	9RA1	07G1		07G1	07G1	9SH0		9SH0	9SH0
90	90																																																																																					
9865	9865																																																																																					
9866	9866																																																																																					
9KA2	9KA2																																																																																					
98M2	98M2																																																																																					
9898	9898																																																																																					
9RA1	9RA1																																																																																					
9SH0	9SH0																																																																																					
67,5	67,5	67,5	67,5																																																																																			
9860	9860	9860	9860																																																																																			
9864	9864	9864	9864																																																																																			
9KA1	9KA1	9KA1	9KA1																																																																																			
9RA2	9RA2	9RA2	9RA2																																																																																			
07G2	07G2	07G2	07G2																																																																																			
90	45	90	90																																																																																			
9845		9845	9845																																																																																			
9895		9895	9895																																																																																			
9KA3		9KA3	9KA3																																																																																			
98M1		98M1	98M1																																																																																			
9KA2		9KA2	9KA2																																																																																			
98M2		98M2	98M2																																																																																			
9898		9898	9898																																																																																			
9RA1		9RA1	9RA1																																																																																			
07G1		07G1	07G1																																																																																			
9SH0		9SH0	9SH0																																																																																			
<p>↔ 226 cm</p> <table border="1"> <tr><td>67,5</td><td>90</td><td>67,5</td></tr> <tr><td>9860</td><td>9860</td><td>9860</td></tr> <tr><td>9864</td><td>9864</td><td>9864</td></tr> <tr><td>9KA1</td><td>9KA1</td><td>9KA1</td></tr> <tr><td>9RA2</td><td>9RA2</td><td>9RA2</td></tr> <tr><td>07G2</td><td>07G2</td><td>07G2</td></tr> </table>	67,5	90	67,5	9860	9860	9860	9864	9864	9864	9KA1	9KA1	9KA1	9RA2	9RA2	9RA2	07G2	07G2	07G2	<p>↔ 316 cm</p> <table border="1"> <tr><td>90</td><td>45</td><td>90</td><td>90</td></tr> <tr><td>9843</td><td></td><td>9865</td><td>9843</td></tr> <tr><td>9893</td><td></td><td>9866</td><td>9893</td></tr> <tr><td>9KA0</td><td></td><td>9KA2</td><td>9KA0</td></tr> <tr><td>9RA1</td><td></td><td>98M2</td><td>9RA1</td></tr> <tr><td>07G1</td><td></td><td>9898</td><td>07G1</td></tr> <tr><td></td><td></td><td>9898</td><td>9SH0</td></tr> </table>	90	45	90	90	9843		9865	9843	9893		9866	9893	9KA0		9KA2	9KA0	9RA1		98M2	9RA1	07G1		9898	07G1			9898	9SH0	<p>↔ 361 cm</p> <table border="1"> <tr><td>90</td><td>90</td><td>90</td><td>90</td></tr> <tr><td>9865</td><td>9865</td><td>9865</td><td>9865</td></tr> <tr><td>9866</td><td>9866</td><td>9866</td><td>9866</td></tr> <tr><td>9KA2</td><td>9KA2</td><td>9KA2</td><td>9KA2</td></tr> <tr><td>98M2</td><td>98M2</td><td>98M2</td><td>98M2</td></tr> <tr><td>9898</td><td>9898</td><td>9898</td><td>9898</td></tr> <tr><td>9RA1</td><td>9RA1</td><td>9RA1</td><td>9RA1</td></tr> <tr><td>9SH0</td><td>9SH0</td><td>9SH0</td><td>9SH0</td></tr> </table>	90	90	90	90	9865	9865	9865	9865	9866	9866	9866	9866	9KA2	9KA2	9KA2	9KA2	98M2	98M2	98M2	98M2	9898	9898	9898	9898	9RA1	9RA1	9RA1	9RA1	9SH0	9SH0	9SH0	9SH0						
67,5	90	67,5																																																																																				
9860	9860	9860																																																																																				
9864	9864	9864																																																																																				
9KA1	9KA1	9KA1																																																																																				
9RA2	9RA2	9RA2																																																																																				
07G2	07G2	07G2																																																																																				
90	45	90	90																																																																																			
9843		9865	9843																																																																																			
9893		9866	9893																																																																																			
9KA0		9KA2	9KA0																																																																																			
9RA1		98M2	9RA1																																																																																			
07G1		9898	07G1																																																																																			
		9898	9SH0																																																																																			
90	90	90	90																																																																																			
9865	9865	9865	9865																																																																																			
9866	9866	9866	9866																																																																																			
9KA2	9KA2	9KA2	9KA2																																																																																			
98M2	98M2	98M2	98M2																																																																																			
9898	9898	9898	9898																																																																																			
9RA1	9RA1	9RA1	9RA1																																																																																			
9SH0	9SH0	9SH0	9SH0																																																																																			
<p>↔ 271 cm</p> <table border="1"> <tr><td>90</td><td>90</td><td>90</td></tr> <tr><td>9865</td><td>9865</td><td>9865</td></tr> <tr><td>9866</td><td>9866</td><td>9866</td></tr> <tr><td>9KA2</td><td>9KA2</td><td>9KA2</td></tr> <tr><td>98M2</td><td>98M2</td><td>98M2</td></tr> <tr><td>9898</td><td>9898</td><td>9898</td></tr> <tr><td>9RA1</td><td>9RA1</td><td>9RA1</td></tr> <tr><td>9SH0</td><td>9SH0</td><td>9SH0</td></tr> </table>	90	90	90	9865	9865	9865	9866	9866	9866	9KA2	9KA2	9KA2	98M2	98M2	98M2	9898	9898	9898	9RA1	9RA1	9RA1	9SH0	9SH0	9SH0	<p>↔ 361 cm</p> <table border="1"> <tr><td>90</td><td>90</td><td>90</td><td>90</td></tr> <tr><td>9865</td><td>9865</td><td>9865</td><td>9865</td></tr> <tr><td>9866</td><td>9866</td><td>9866</td><td>9866</td></tr> <tr><td>9KA2</td><td>9KA2</td><td>9KA2</td><td>9KA2</td></tr> <tr><td>98M2</td><td>98M2</td><td>98M2</td><td>98M2</td></tr> <tr><td>9898</td><td>9898</td><td>9898</td><td>9898</td></tr> <tr><td>9RA1</td><td>9RA1</td><td>9RA1</td><td>9RA1</td></tr> <tr><td>9SH0</td><td>9SH0</td><td>9SH0</td><td>9SH0</td></tr> </table>	90	90	90	90	9865	9865	9865	9865	9866	9866	9866	9866	9KA2	9KA2	9KA2	9KA2	98M2	98M2	98M2	98M2	9898	9898	9898	9898	9RA1	9RA1	9RA1	9RA1	9SH0	9SH0	9SH0	9SH0																													
90	90	90																																																																																				
9865	9865	9865																																																																																				
9866	9866	9866																																																																																				
9KA2	9KA2	9KA2																																																																																				
98M2	98M2	98M2																																																																																				
9898	9898	9898																																																																																				
9RA1	9RA1	9RA1																																																																																				
9SH0	9SH0	9SH0																																																																																				
90	90	90	90																																																																																			
9865	9865	9865	9865																																																																																			
9866	9866	9866	9866																																																																																			
9KA2	9KA2	9KA2	9KA2																																																																																			
98M2	98M2	98M2	98M2																																																																																			
9898	9898	9898	9898																																																																																			
9RA1	9RA1	9RA1	9RA1																																																																																			
9SH0	9SH0	9SH0	9SH0																																																																																			
<p>↔ 271 cm</p> <table border="1"> <tr><td>90</td><td>90</td><td>90</td></tr> <tr><td>9898</td><td>9898</td><td>9898</td></tr> <tr><td>9RA1</td><td>9RA1</td><td>9RA1</td></tr> <tr><td>07G1</td><td>07G1</td><td>07G1</td></tr> <tr><td>9SH0</td><td>9SH0</td><td>9SH0</td></tr> </table>	90	90	90	9898	9898	9898	9RA1	9RA1	9RA1	07G1	07G1	07G1	9SH0	9SH0	9SH0																																																																							
90	90	90																																																																																				
9898	9898	9898																																																																																				
9RA1	9RA1	9RA1																																																																																				
07G1	07G1	07G1																																																																																				
9SH0	9SH0	9SH0																																																																																				

ACCESSORIES 1.1

rauch ORANGE

for sliding door robes




Element width 45, 67,5, 90, 112,5 cm



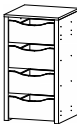

Purchase Pricelist
Prices = invoice prices in Euro

13.02.2023 SB_JW
Valid from 01.04.2023 until revoked



Colour	Colour code
Textline (natural-colour linen look)	A0033




ELEMENT WIDTH ▶		45	45	45	
					
		Fachboden for unit width 45cm ↔43 cm †1,6 cm ↗48 cm	Shoe shelves with profiles for unit width 45cm ↔43 cm †1,6 cm ↗37 cm	hanging rail for unit width 45cm ↔43 cm †3 cm ↗2 cm	
1 pieces	Price	9664		9737	
Set of 2		9665	9FE2		
Set of 3		9666	9FE3		
Set of 5		9667			





ELEMENT WIDTH ▶		45	45	45	45
Please be sure to observe the options for installing in sliding door wardrobes on page 2/3.					
		interior drawer with 2 drawers for unit width 45cm ↔43 cm †39 cm ↗45 cm	interior drawer with 3 drawers for unit width 45cm ↔43 cm †57 cm ↗45 cm	interior drawer with 4 drawers for unit width 45cm ↔43 cm †80 cm ↗45 cm	fabric box Set of 2 (4 small, 2 large boxes) ↔31 cm †8 cm ↗39 cm
	Article	Price	9843	9893	9KA0

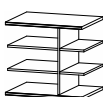


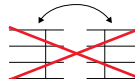
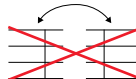
for sliding door robes

Element width 45, 67,5, 90, 112,5 cm

Colour	Colour code
Texline (natural-colour linen look)	A0033

ELEMENT WIDTH ▶		67,5	67,5	67,5	67,5
					
		Fachboden for unit width 66cm ↔66 cm †1,6 cm ↗48 cm	Schuhablageböden with profiles for unit width 66cm ↔66 cm †1,6 cm ↗37 cm	hanging rail for unit width 66cm ↔65 cm †3 cm ↗2 cm	
1 pieces	Price	9668		9743	
Set of 2		9669	9FG2		
Set of 3		9670	9FG3		
Set of 5		9671			

ELEMENT WIDTH ▶		67,5	67,5	67,5	67,5
Please be sure to observe the options for installing in sliding door wardrobes on page 2/3.					
		interior drawer with 2 drawers for unit width 66cm ↔66 cm †39 cm ↗45 cm	interior drawer with 3 drawers for unit width 66cm ↔66 cm †57 cm ↗45 cm	interior drawer with 4 drawers indented for unit width 67cm ↔66 cm †81 cm ↗45 cm	fabric box Set of 3 (6 small, 3 large boxes) ↔47 cm †8 cm ↗39 cm
Article	Price	9864	9860	9KA1	9381

ELEMENT WIDTH ▶		67,5	67,5	67,5	67,5
Shelf inserts can only be fitted as shown. Not possible to convert to the right!					
Please be sure to observe the options for installing in sliding door wardrobes on page 2/3.					
		shelf commitment for unit width 67cm ↔66 cm †60 cm ↗50 cm	shelf commitment incl. 3 fabric boxes for unit width 67cm ↔66 cm †60 cm ↗50 cm	mesh basket insert ↔66 cm †50 cm ↗50 cm	
Article	Price	9RA2	07G2	9MK0	

ACCESSORIES 1.1

rauch ORANGE

for sliding door robes





Element width 45, 67,5, 90, 112,5 cm


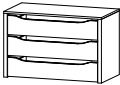
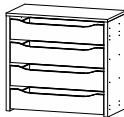


Purchase Pricelist
Prices = invoice prices in Euro


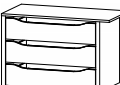



13.02.2023 SB_JW
Valid from 01.04.2023 until revoked



Colour	Colour code
Texline (natural-colour linen look)	A0033

ELEMENT WIDTH ▶		90	90	90	90
					
		Fachboden for unit width 90cm ↔88 cm †1,6 cm ↗48 cm	Schuhablageböden with profiles for unit width 90cm ↔88 cm †13 cm ↗37 cm	hanging rail for unit width 90cm ↔87 cm †3 cm ↗2 cm	trouser pull-out for unit width 90cm ↔88 cm †10 cm ↗50 cm
1 pieces	Price	9672		9736	9SH0
Set of 2		9673	9FH2		Please be sure to observe the options for installing in sliding door wardrobes on page 2/3.
Set of 3		9674	9FH3		
Set of 5		9675			

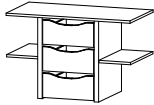
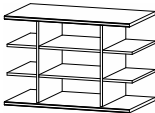
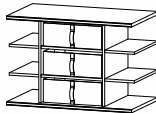
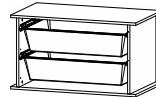
ELEMENT WIDTH ▶		90	90	90	90	90
Please be sure to observe the options for installing in sliding door wardrobes on page 2/3.						
		interior drawer with 2 drawers for unit width 90cm ↔88 cm †39 cm ↗45 cm	interior drawer with 3 drawers for unit width 90cm ↔88 cm †57 cm ↗45 cm	interior drawer with 4 drawers for unit width 90cm ↔88 cm †81 cm ↗45 cm	interior drawer with interior division for unit width 90cm ↔88 cm †81 cm ↗45 cm	fabric box Set of 5 (10 small, 5 large boxes) ↔78 cm †8 cm ↗39 cm
Article	Price	9845	9895	9KA3	98M1	9383

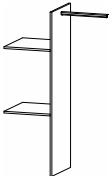
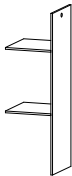
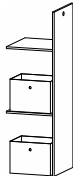
ELEMENT WIDTH ▶		90	90	90	90	90
Please be sure to observe the options for installing in sliding door wardrobes on page 2/3.						
		interior drawer with 2 drawers for unit width 90cm ↔88 cm †39 cm ↗45 cm	interior drawer with 3 drawers for unit width 90cm ↔88 cm †57 cm ↗45 cm	interior drawer with 4 drawers indented for unit width 90cm ↔88 cm †81 cm ↗45 cm	interior drawer with 5 drawers indented for unit width 90cm ↔88 cm †81 cm ↗45 cm	fabric box for drawer insert indented Set of 4 (8 small, 4 large boxes) ↔62 cm †8 cm ↗39 cm
Article	Price	9865	9866	9KA2	98M2	9382

for sliding door robes

Element width 45, 67,5, 90, 112,5 cm

Colour	Colour code
Textline (natural-colour linen look)	A0033

ELEMENT WIDTH ▶		90	90	90	90
Please be sure to observe the options for installing in sliding door wardrobes on page 2/3.					
		interior drawer for unit width 90cm with 3 drawers with shelves ↔88 cm ↓57 cm ↗45 cm	shelf commitment for unit width 90cm ↔88 cm ↓60 cm ↗50 cm	shelf commitment incl. 3 fabric boxes for unit width 90cm ↔88 cm ↓60 cm ↗50 cm	mesh basket insert ↔88 cm ↓50 cm ↗50 cm
	Article	Price	9898	9RA1	07G1

ELEMENT WIDTH ▶		90	90	90	
interior division not possible for elements with drawers!					
		wardrobe interior division with clothes rail with 2 shelves for unit width 90cm ↔88 cm ↓147 cm ↗48 cm	wardrobe interior division with 2 shelves for unit width 90cm ↔45 cm ↓147 cm ↗48 cm	wardrobe interior division incl. 2 fabric boxes with 2 shelves for unit width 90cm ↔45 cm ↓147 cm ↗48 cm	
	Article	Price	9991	9955	93H1

ACCESSORIES 1.1

rauch ORANGE

for sliding door robes



Element width 45, 67,5, 90, 112,5 cm


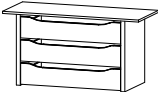
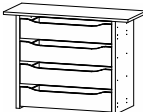

Purchase Pricelist
Prices = invoice prices in Euro

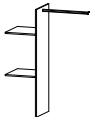

13.02.2023 SB_JW
Valid from 01.04.2023 until revoked








Colour	Colour code
Texline (natural-colour linen look)	A0033

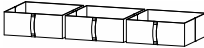


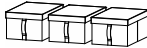
ELEMENT WIDTH ▶		112,5	112,5		
Design constraints necessitate a shelf thickness of 2.2 cm on unit widths of 112.5 cm.					
		Fachboden for unit width 112,5cm ↔111 cm †2 cm ↗48 cm	hanging rail for unit width 112,5cm ↔110 cm †3 cm ↗2 cm		
	1 pieces	Price 9F01	9709		
	Set of 2	9F02			
	Set of 3	9F03			



ELEMENT WIDTH ▶		112,5	112,5	112,5	112,5
Please be sure to observe the options for installing in sliding door wardrobes on page 2/3.					
		interior drawer with 2 drawers for unit width 112,5cm ↔111 cm †39 cm ↗45 cm	interior drawer with 3 drawers for unit width 112,5cm ↔111 cm †57 cm ↗45 cm	interior drawer with 4 drawers indented for unit width 112cm ↔111 cm †81 cm ↗45 cm	fabric box Set of 5 (10 small, 5 large boxes) ↔78 cm †8 cm ↗39 cm
	Article	Price 9804	9806	9KA4	9383

ELEMENT WIDTH ▶		112,5	112,5		
		interior division not possible for elements with drawers!			
					
		wardrobe interior division with clothes rail with 2 shelves for unit width 112,5cm ↔110 cm †147 cm ↗48 cm	wardrobe interior division with 2 shelves for unit width 90cm ↔45 cm †147 cm ↗48 cm		
Article	Price 9939	9955			

Colour	Colour code
Texline (natural-colour linen look)	A0033

GENERAL		damper for sliding doors rauch EASY SLIDE				
						
		set of 2 dampers for sliding wardrobes EASY SLIDE of 2 and 3 door sliding door wardrobes Cushions the door stop on the outer panels. ↔5 cm ↑2 cm ↗27 cm	damper for middle door, 1 pieces EASY SLIDE of 3 door Sliding door wardrobes, damper for middle door ↔4 cm ↑2 cm ↗28 cm	set of 3 dampers for sliding wardrobes EASY SLIDE for synchronous sliding door robes 4-door ↔5 cm ↑2 cm ↗27 cm	damper for sliding doors, 1 pieces EASY SLIDE for hinged/sliding door wardrobes (1 Sliding doors) can be mounted on the left or right! ↔5 cm ↑2 cm ↗27 cm	
	Article	Price	9DC2	9DC4	9DC3	9DC1

GENERAL					
					
		fabric box for shelf unit ↔41 cm ↑16 cm ↗41 cm	fabric box with lid for shelf unit ↔26 cm ↑18 cm ↗40 cm	fabric box with lid set of 2 for shelf unit ↔26 cm ↑18 cm ↗40 cm	fabric box with lid set of 3 for shelf unit ↔26 cm ↑18 cm ↗40 cm
Article	Price	9384	9385	9386	9387

GENERAL		Extras for bedside tables and chests.			
					
		drawer division with 3 shelves felt ↔39 cm ↑10 cm ↗33 cm	drawer division with 6 shelves ↔79 cm ↑10 cm ↗33 cm		
Article	Price	9S91	9S92		

ACCESSORIES 1.1

rauch ORANGE

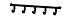


General


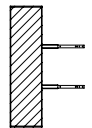
Purchase Pricelist
Prices = invoice prices in Euro


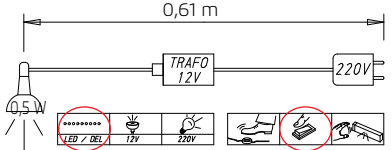
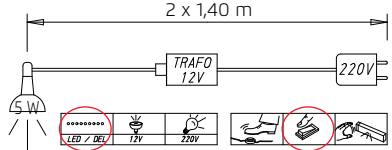
13.02.2023 SB_JW
Valid from 01.04.2023 until revoked



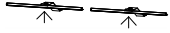
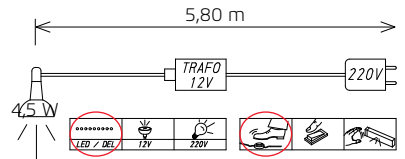
Colour	Colour code
Texline (natural-colour linen look)	A0033


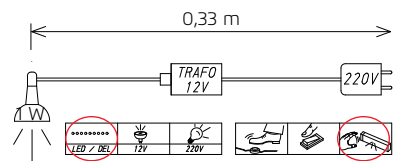
GENERAL				
				
		hooks	trouser holder	coat hanger rail
		↔35 cm ↑5 cm ↗5 cm	↔25 cm ↑7 cm ↗46 cm	↔7 cm ↑52 cm ↗28 cm
Article	Preis	9HL1	990H	9767

GENERAL				
				
		wall mirror	interior mirror	
		↔60 cm ↑90 cm ↗2 cm	mirror width 31 cm hinged extends from 45 to 73 cm ↔46 cm ↑115 cm ↗4 cm	
Article	Preis	98A7	9408	

GENERAL				
				
		interior lights	set of 2 LED lights	This product contains a light source of the energy efficiency class G.
		with motion sensor LED light	swivelling for bed	EPREL 762229
		↔23 cm ↑2 cm ↗11 cm	2 x ↔17 cm ↑49 cm ↗17 cm	
Article	Preis	9T1B	99LP	

Colour	Colour code
Texline (natural-colour linen look)	A0033

GENERAL			
<p>Lights not possible on synchronous sliding door wardrobes!</p> 		 <p>5,80 m</p> <p>45 W</p> <p>TRAF0 12V</p> <p>220V</p> <p>***** LED / DEL</p> <p>12V 220V</p> <p>This product contains a light source of the energy efficiency class G.</p> <p>EPREL 766530</p>	
<p>set of 2 LED lights</p> <p>aluminium Linea-Stixx</p> <p>↔35 cm ↓6 cm ↗19 cm</p>			
Set of 2	Price		9L48
Set of 3	Price		9L49

GENERAL			
		 <p>0,33 m</p> <p>TRAF0 12V</p> <p>220V</p> <p>***** LED / DEL</p> <p>12V 220V</p>	
<p>LED light</p> <p>with motion sensor LED light</p> <p>↔4 cm ↓2 cm ↗10 cm</p>			
1 pieces	Price		9BB0
Set of 2	Price		9BB1
Set of 3	Price	9BB2	