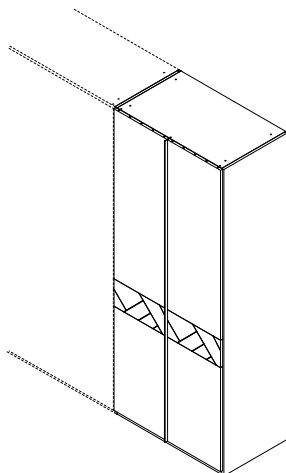
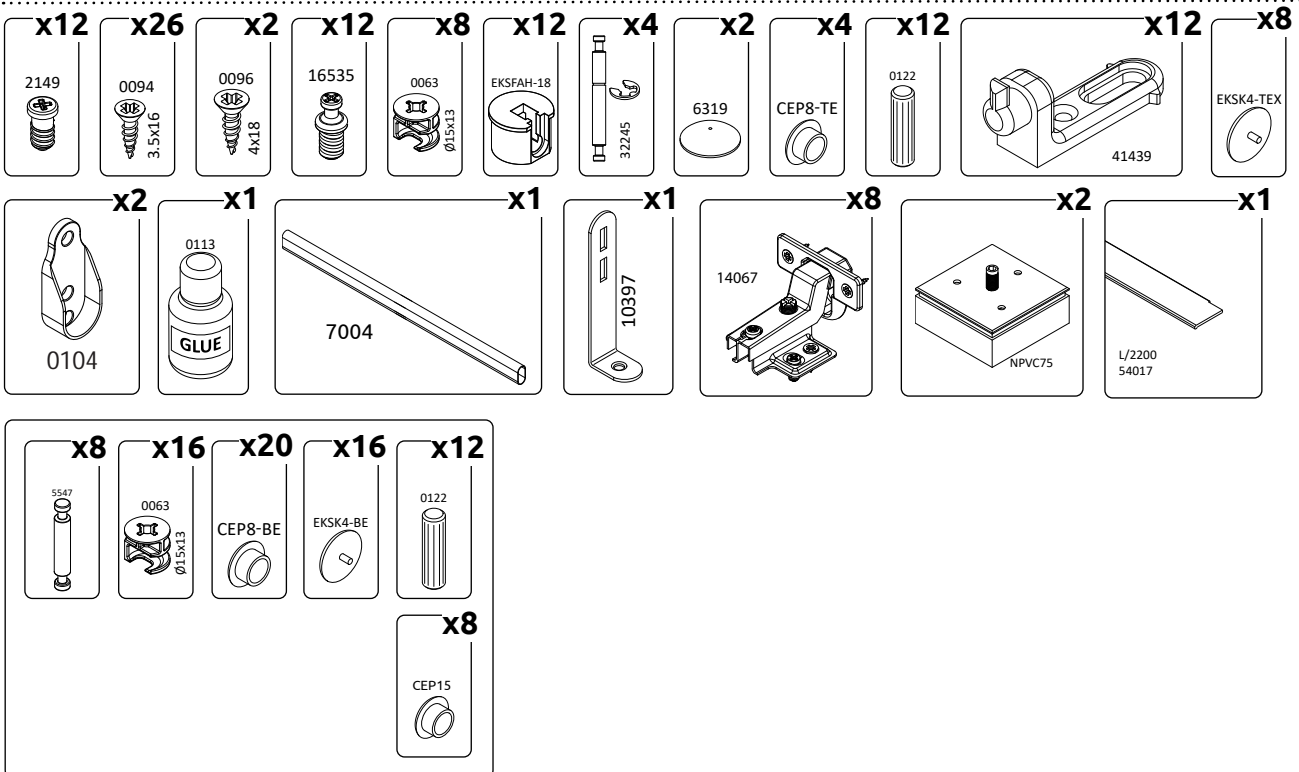
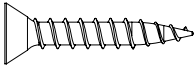
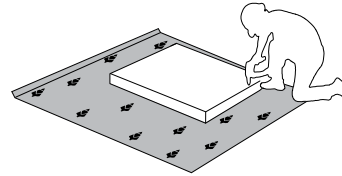
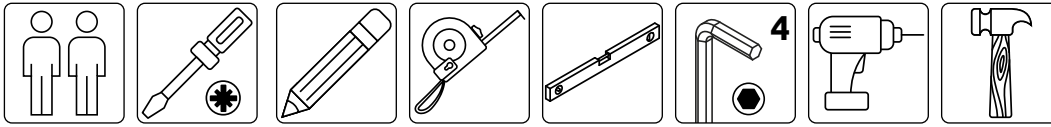
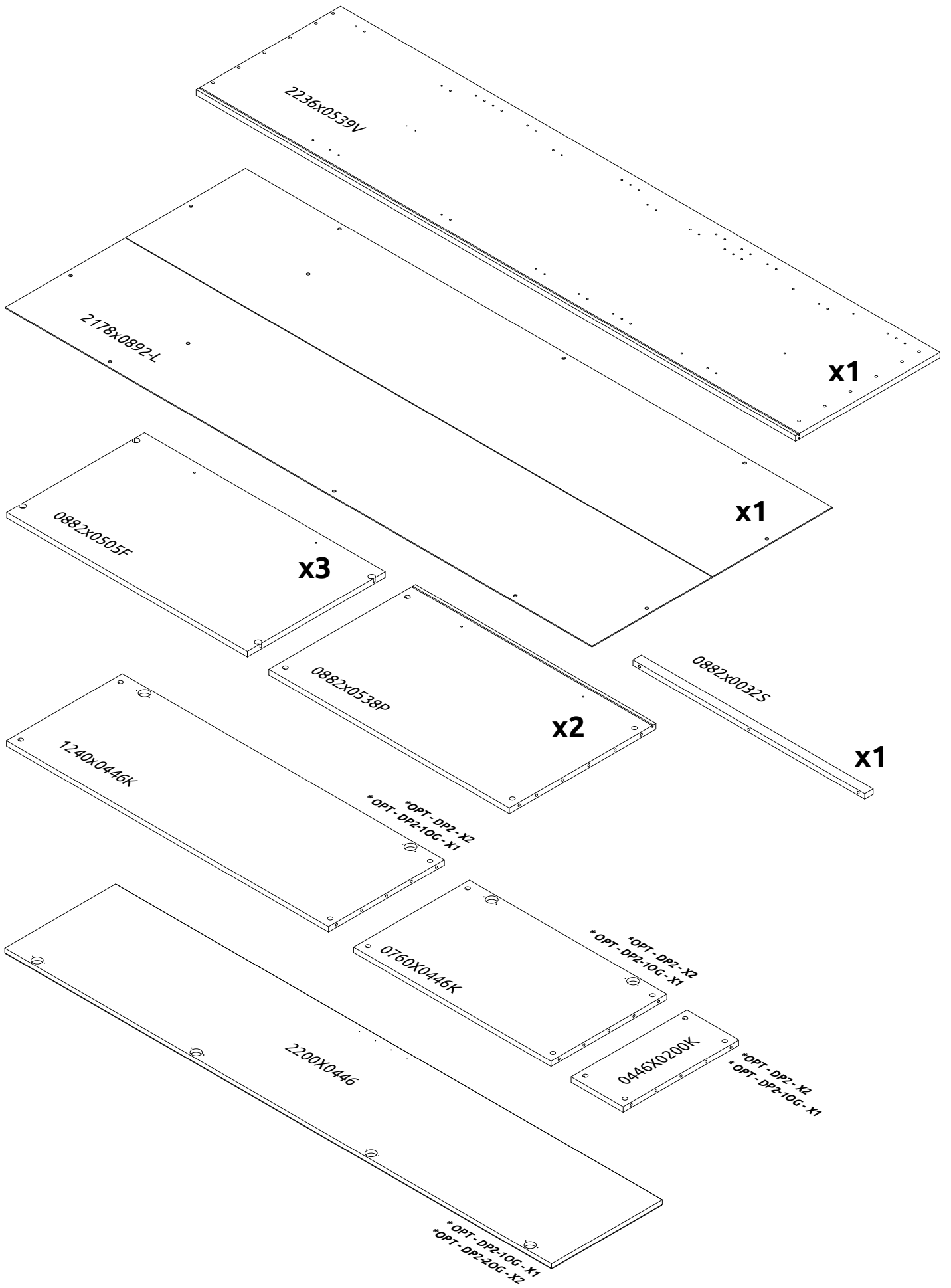


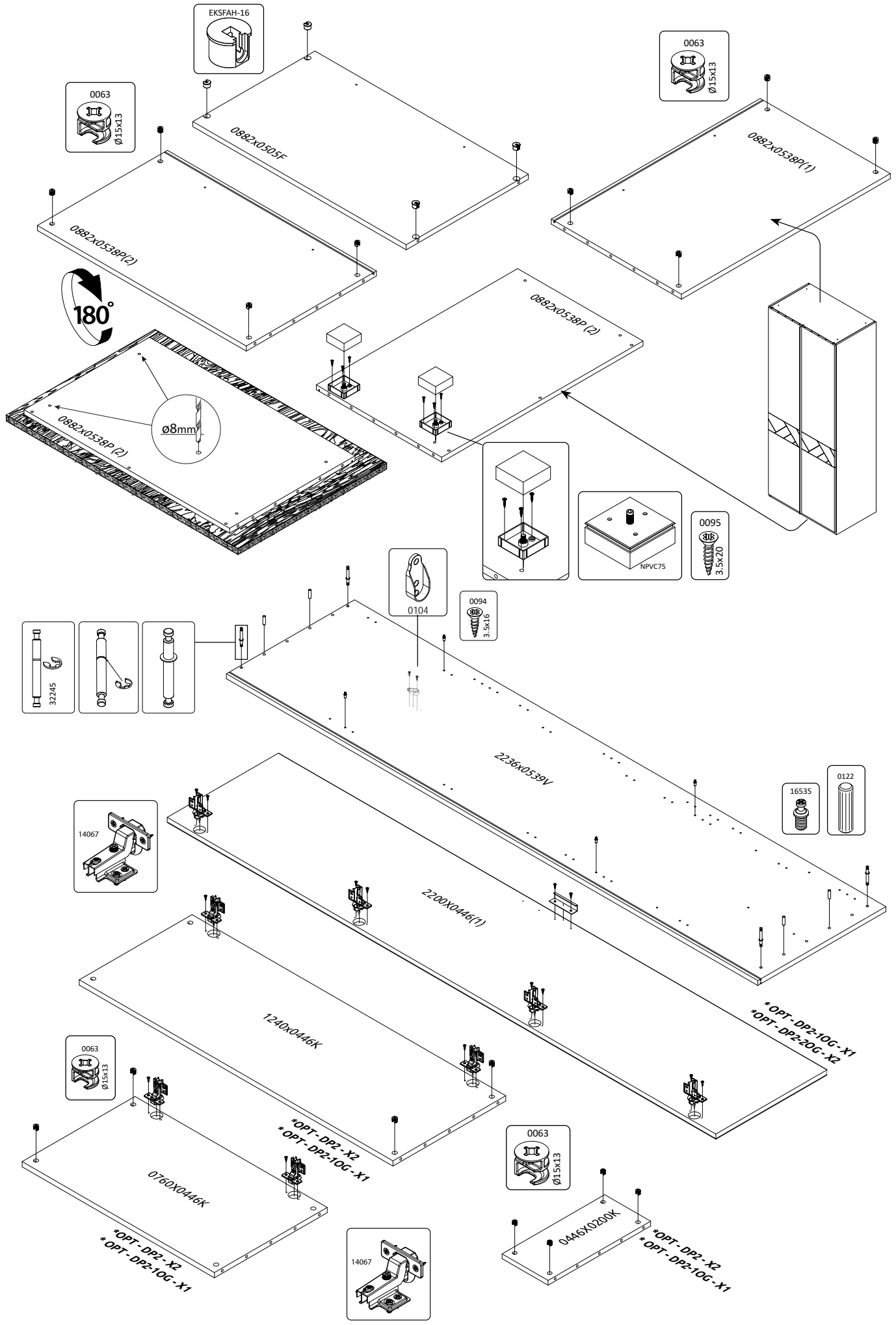


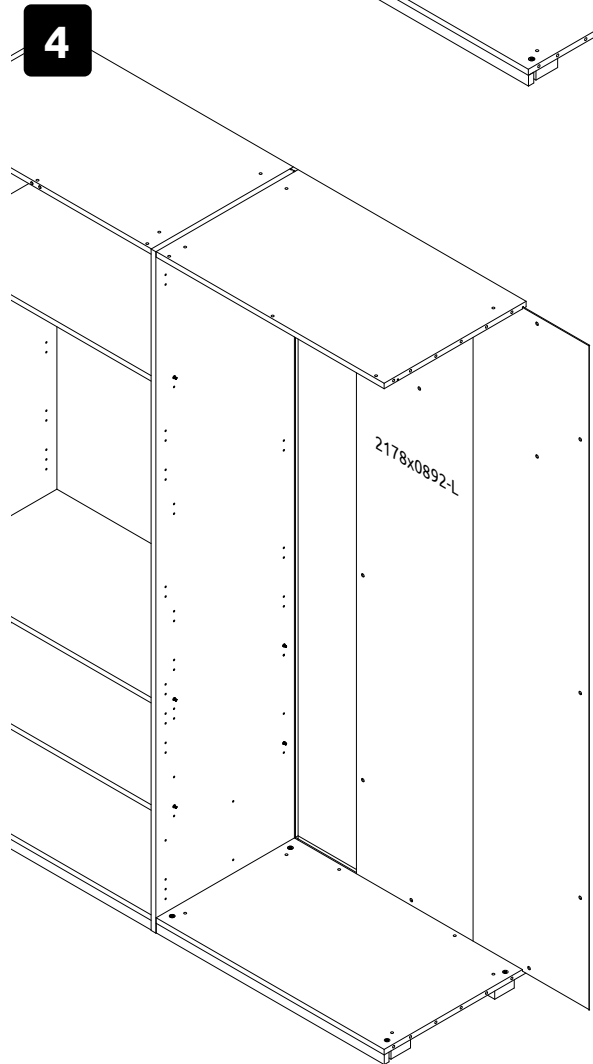
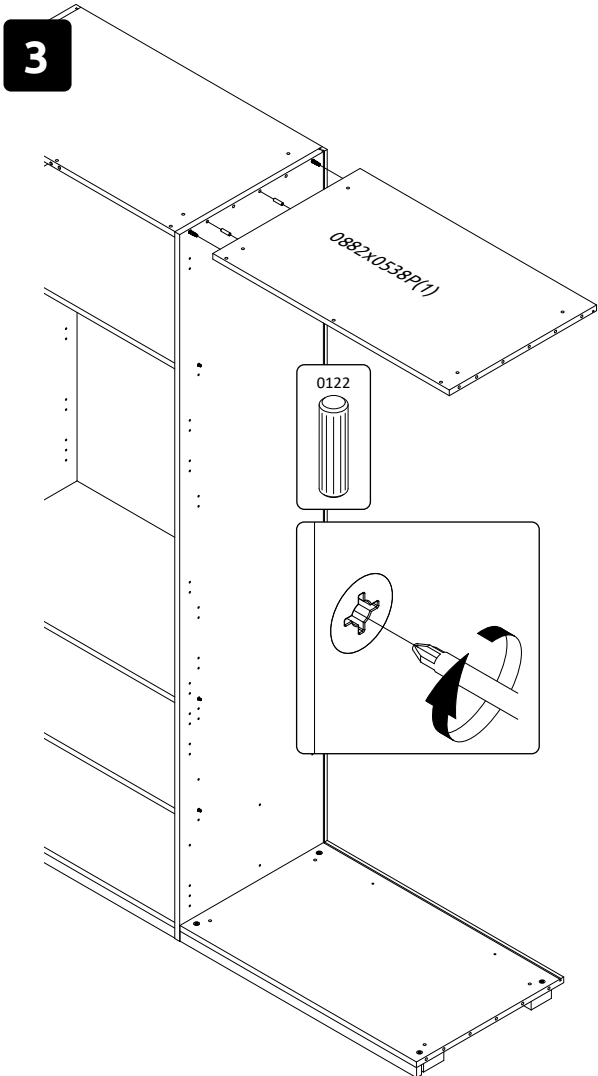
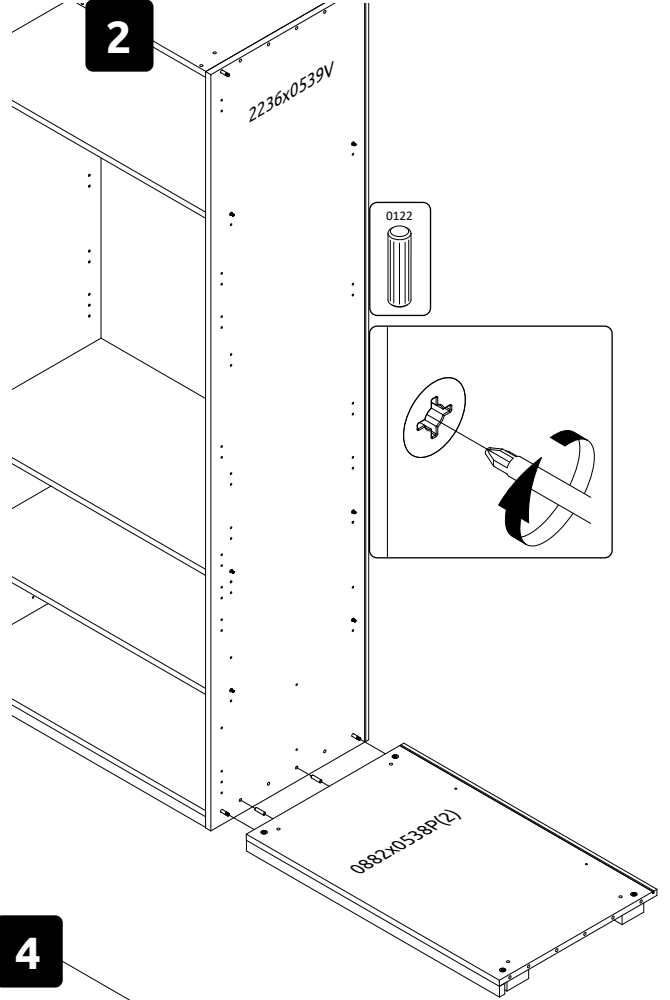
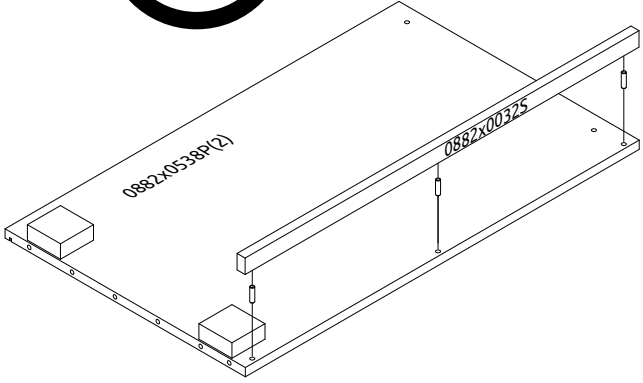
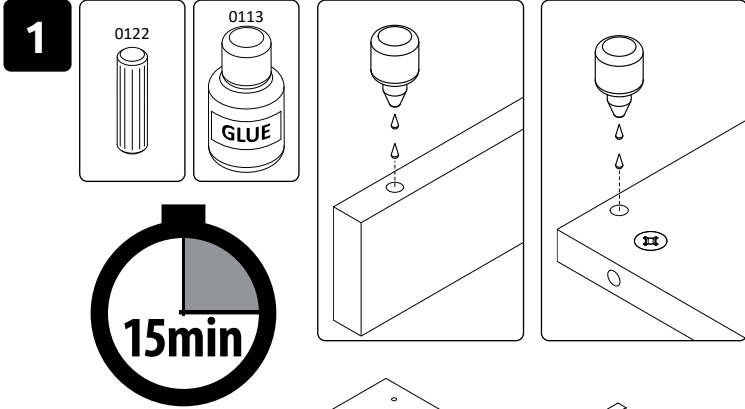
IMPORTANT – READ CAREFULLY – RETAIN FOR FUTURE REFERENCE
WICHTIG – SORGFÄLTIG LESEN UND AUFBEWAHREN



DP2/AV
LWH - 900x555x2236



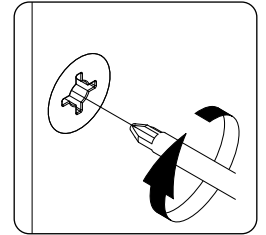
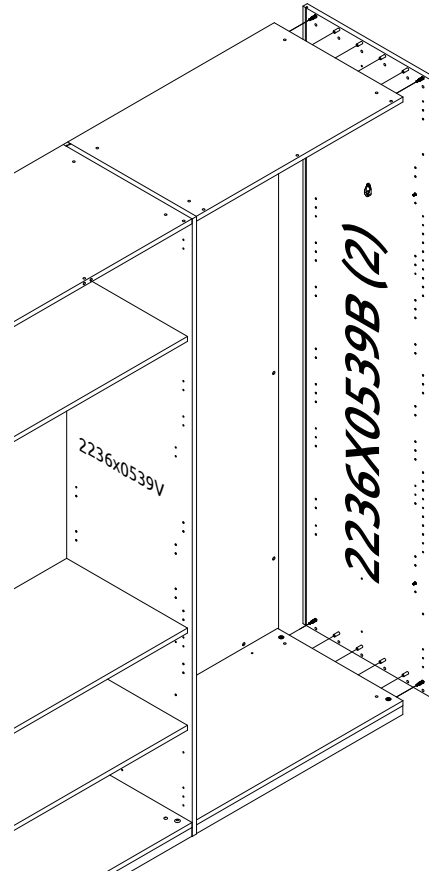
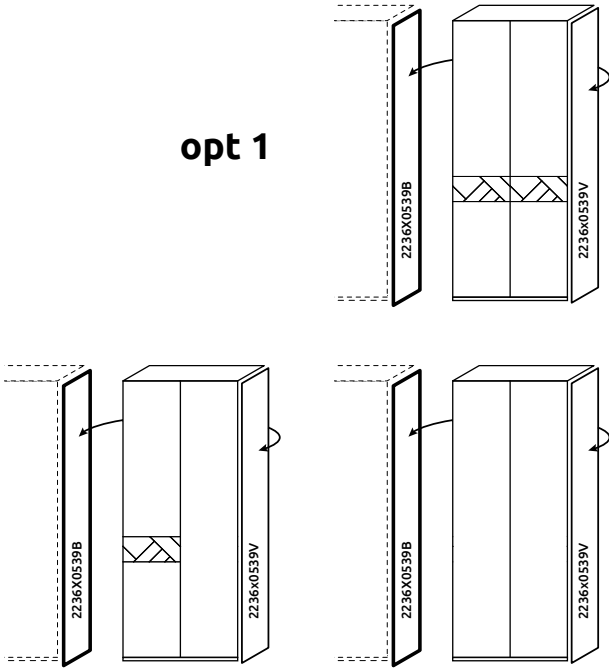




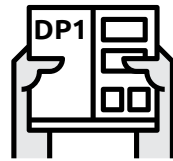
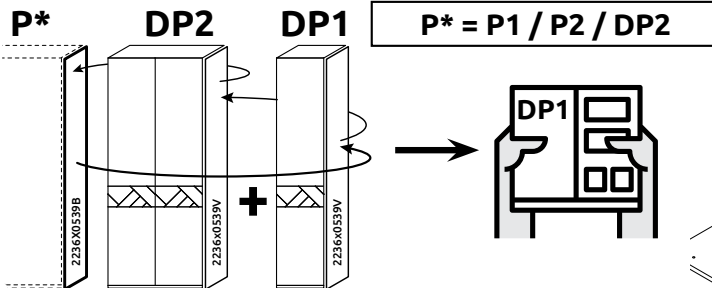
5



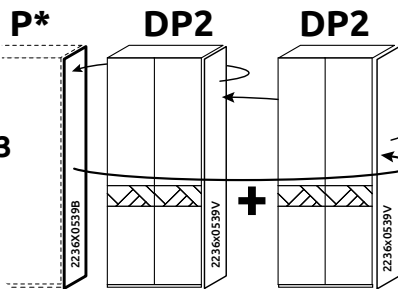
opt 1



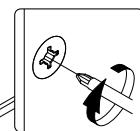
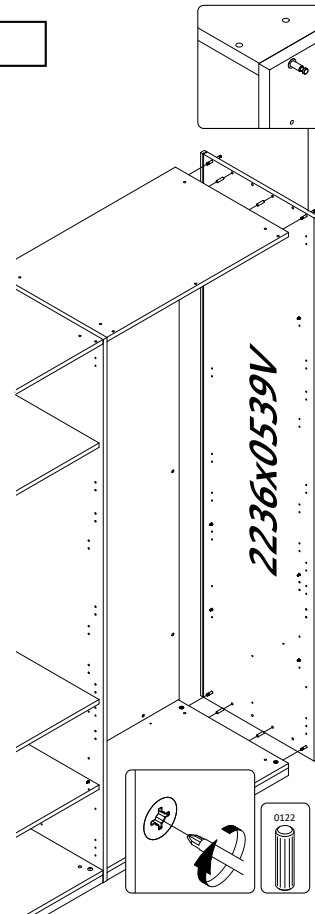
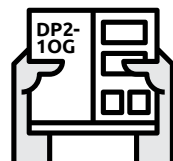
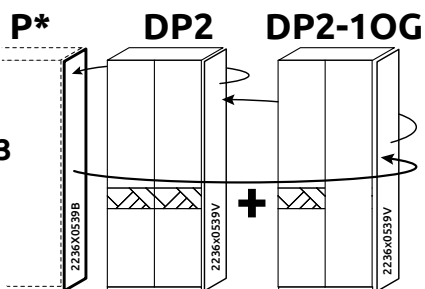
opt 2

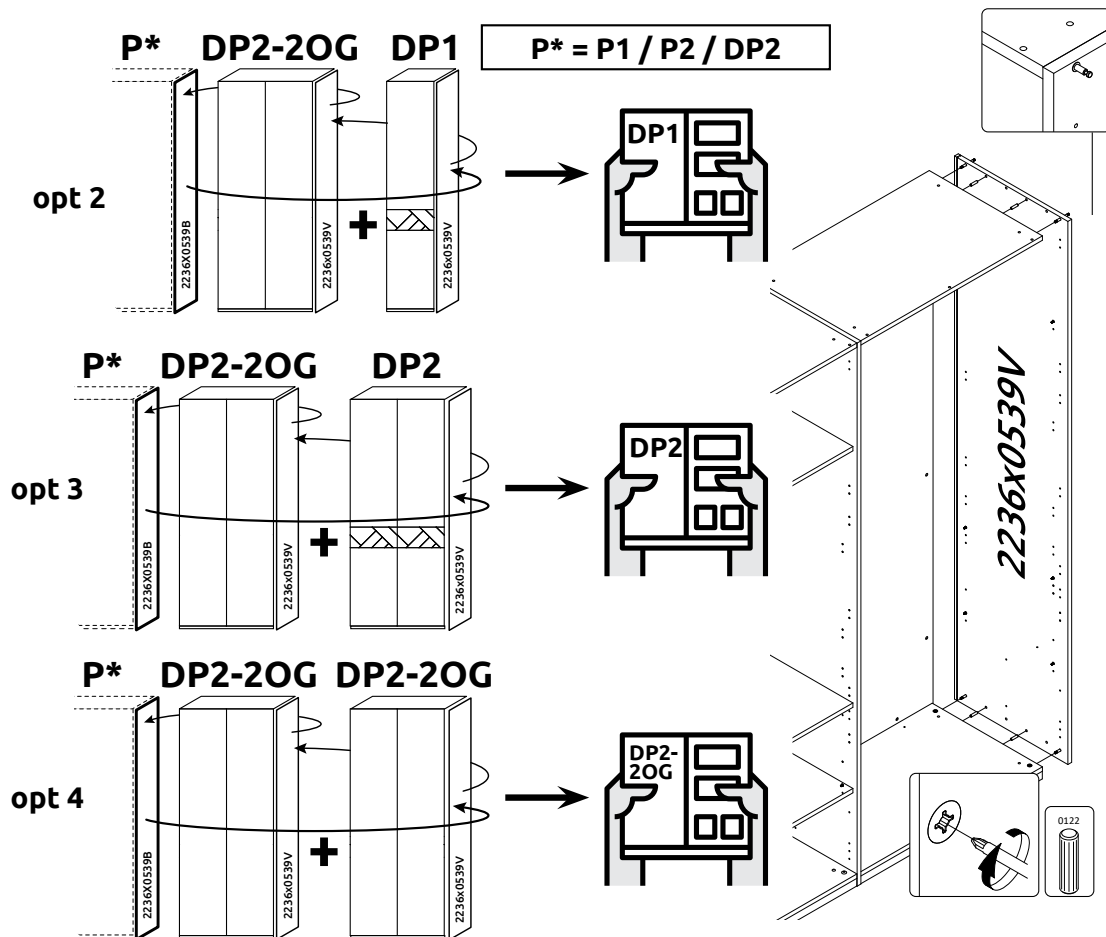
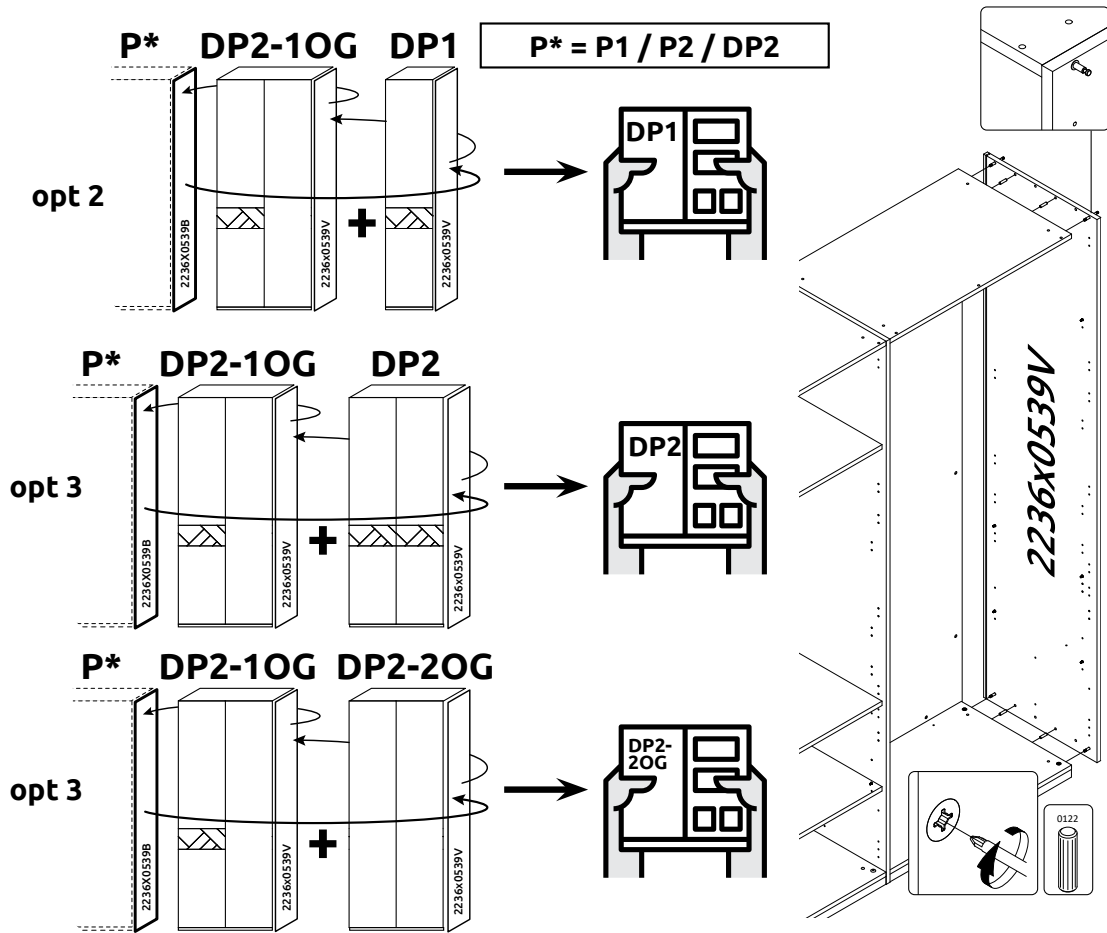


opt 3

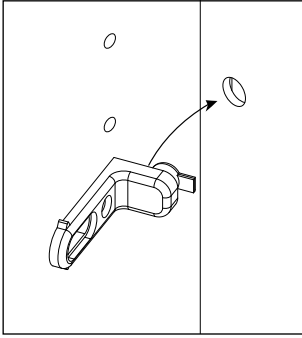
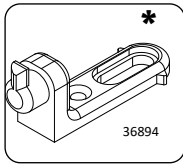
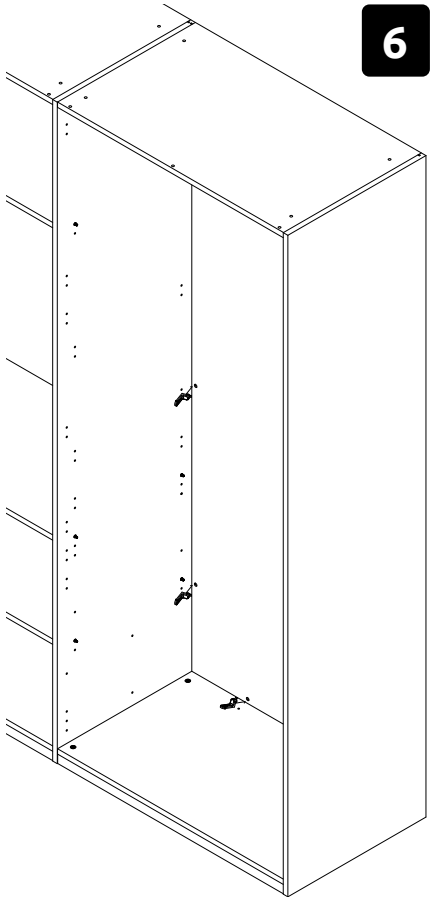


opt 3

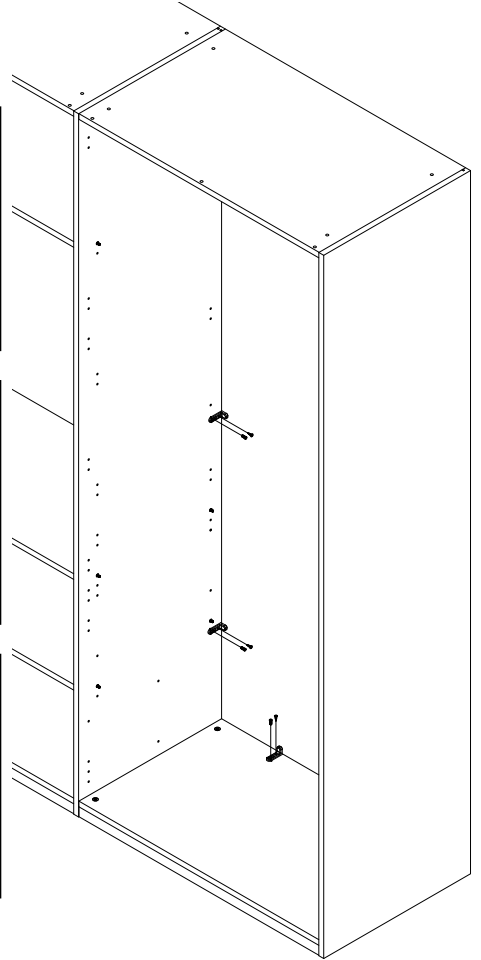
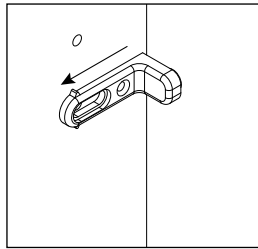




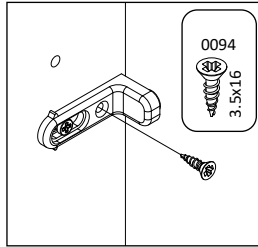
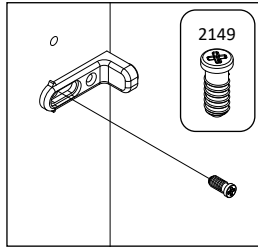
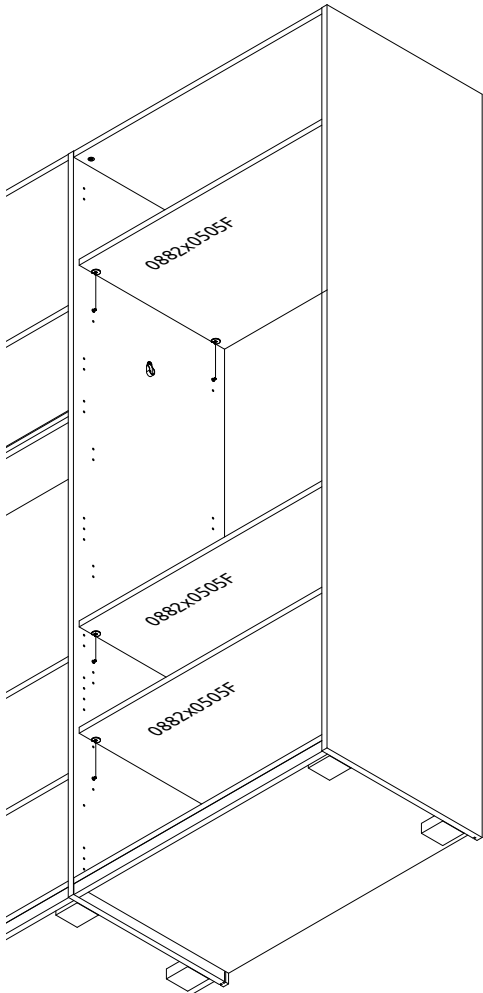
6



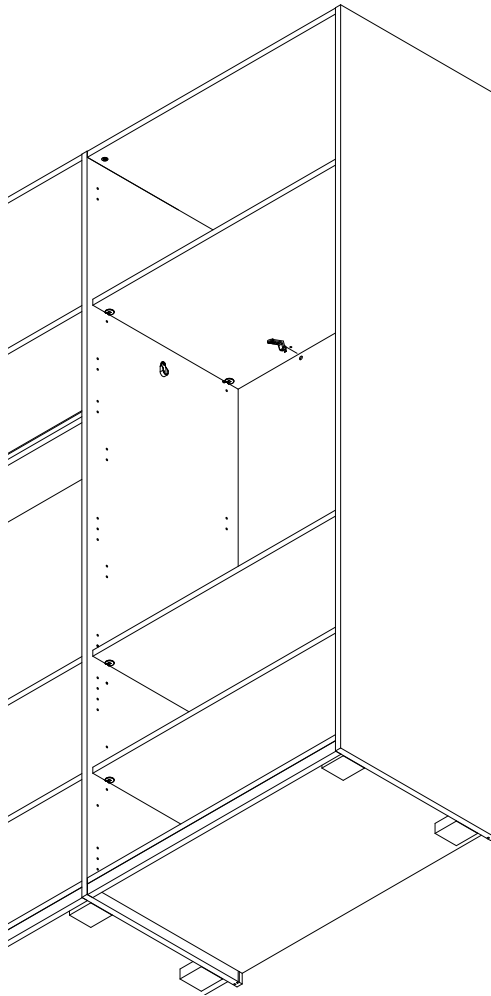
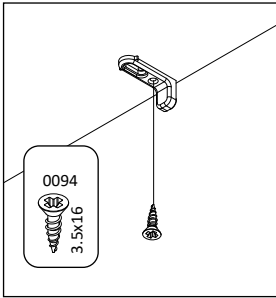
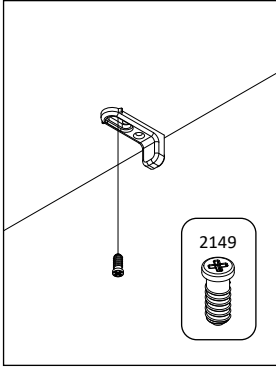
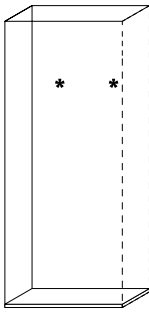
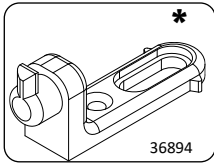
7



8

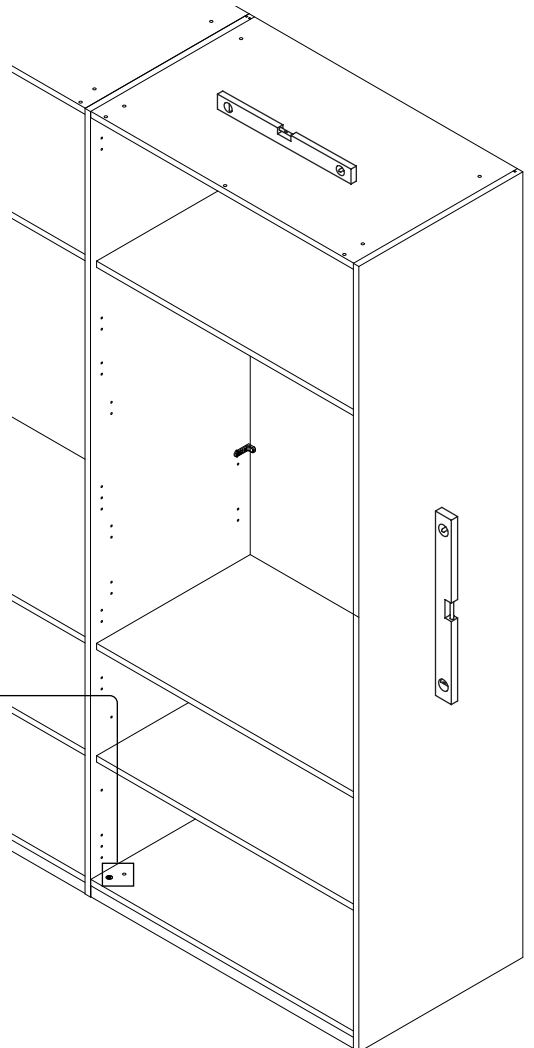
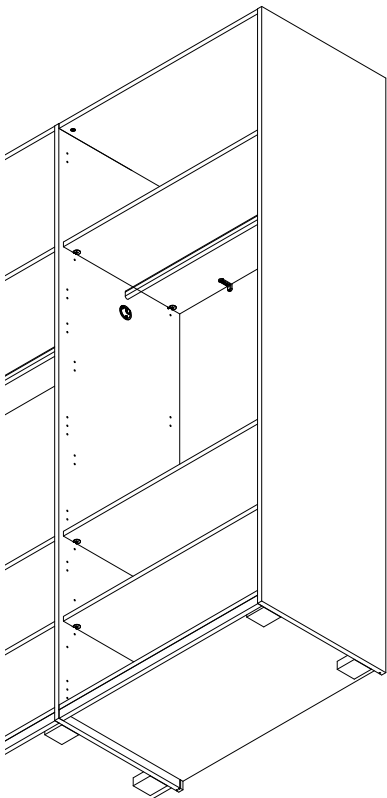
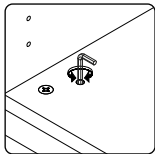
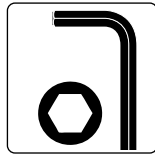
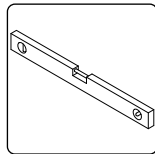
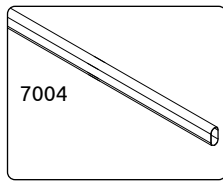


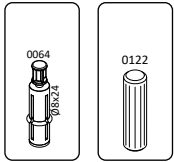
9



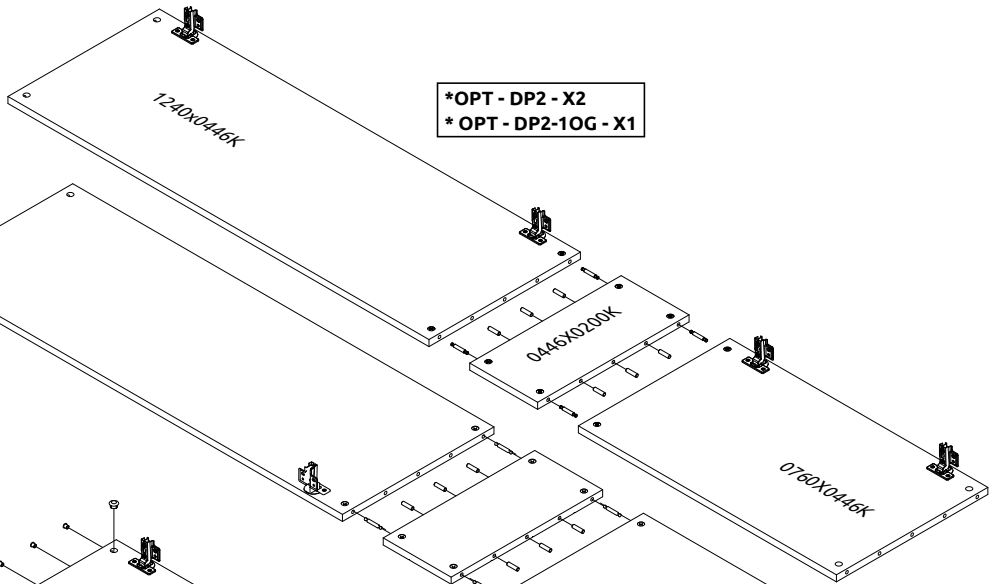
11

10

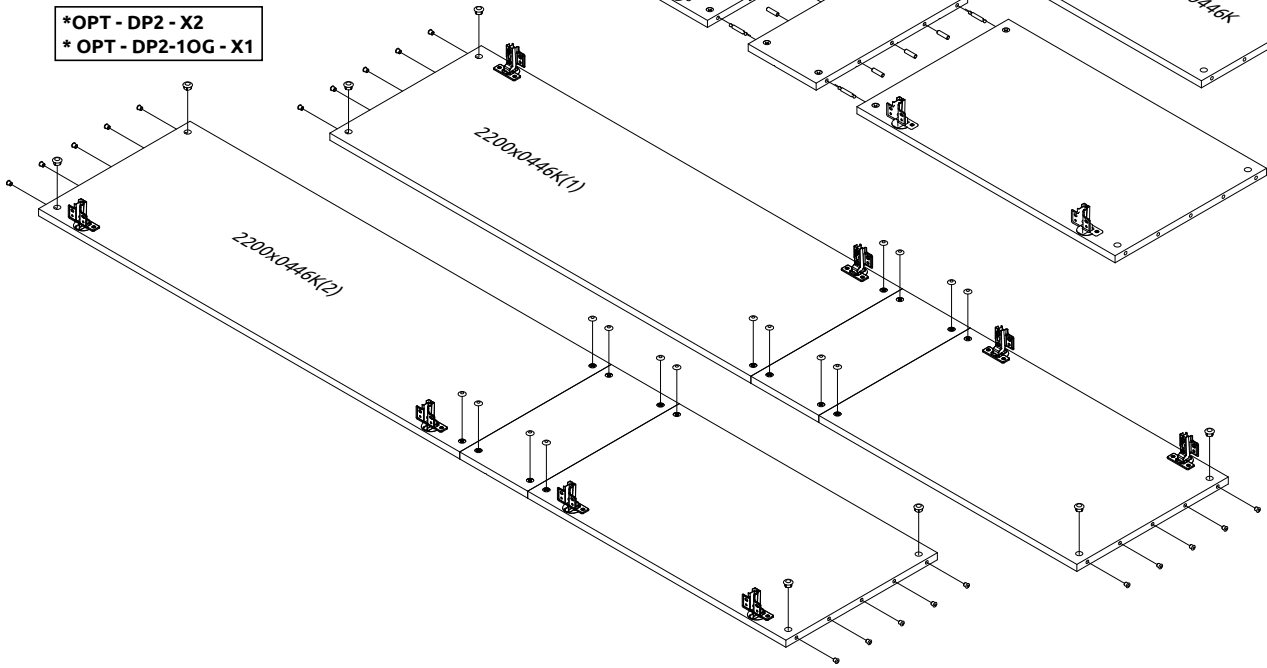




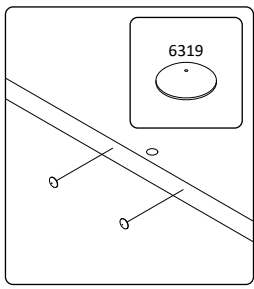
12



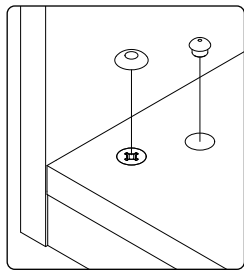
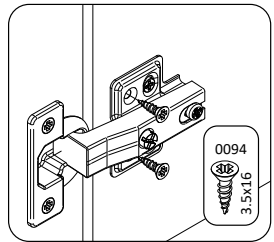
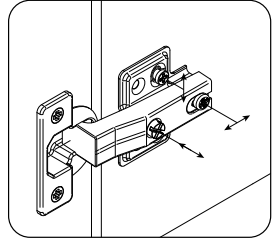
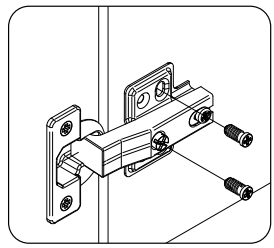
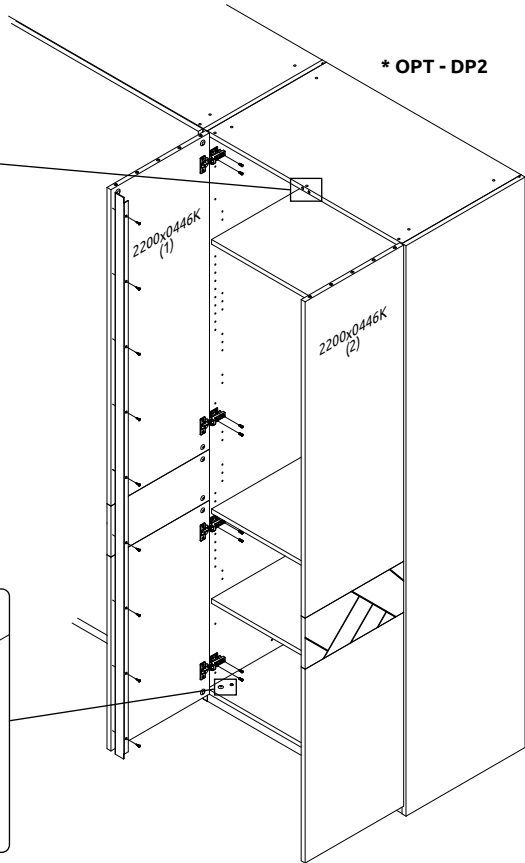
*OPT - DP2 - X2
*OPT - DP2-10G - X1



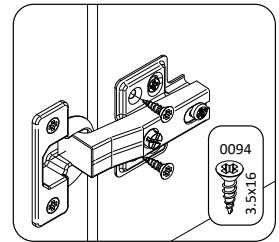
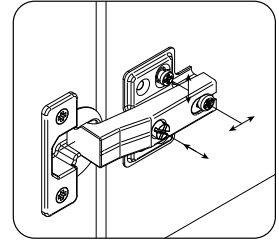
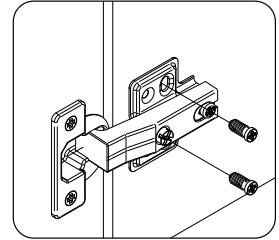
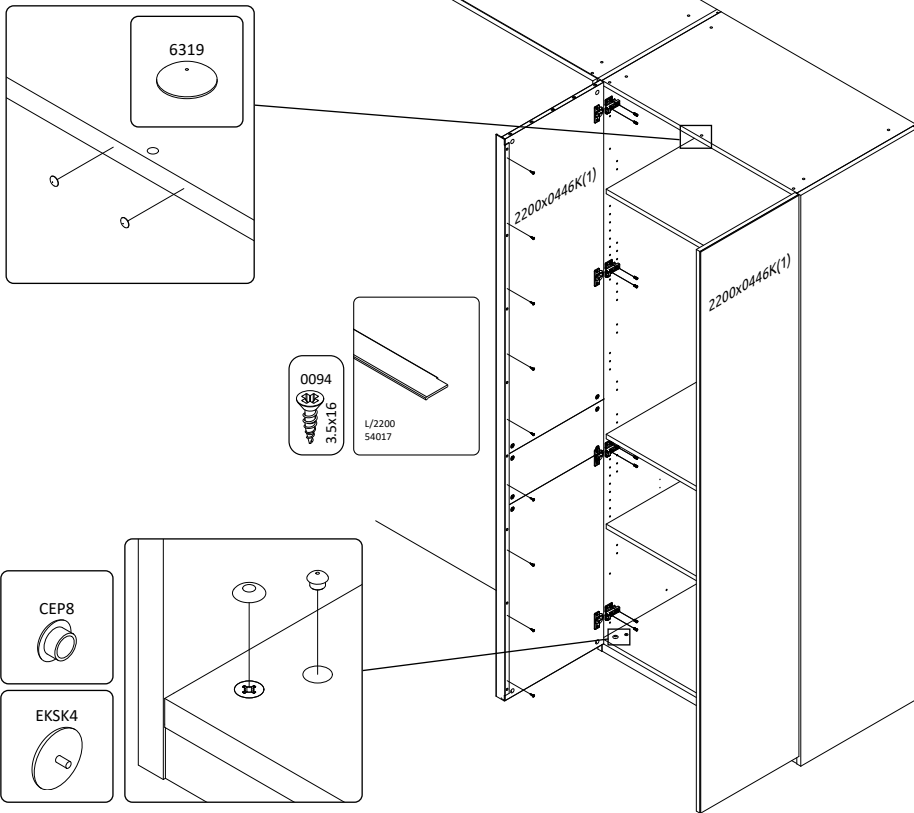
13



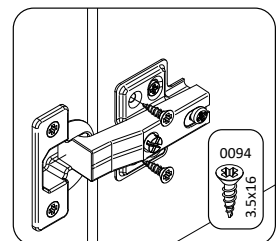
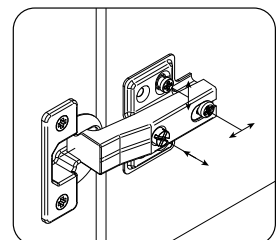
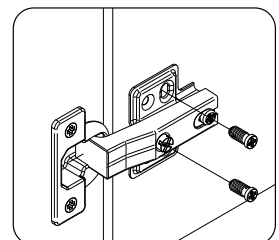
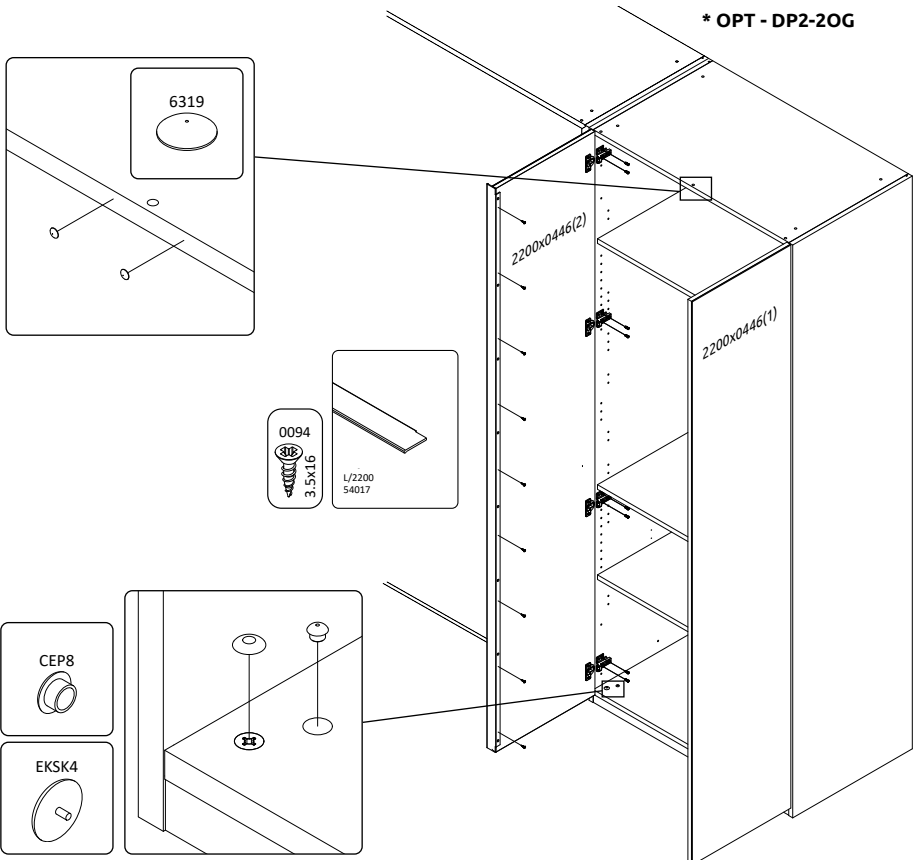
14



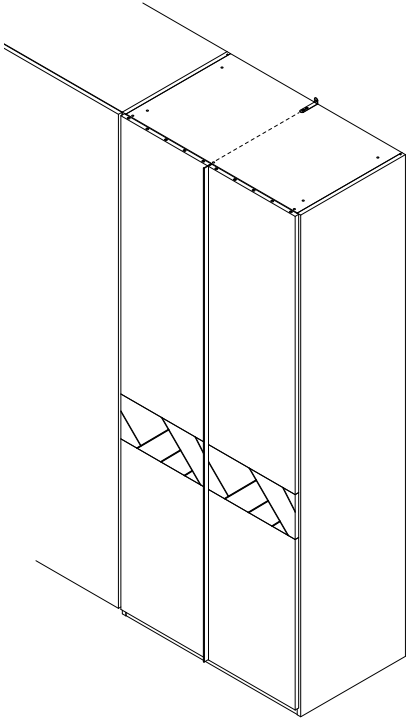
* OPT - DP2-10G



* OPT - DP2-20G



* OPT - DP2



τ

