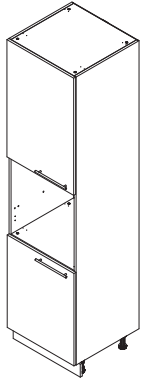
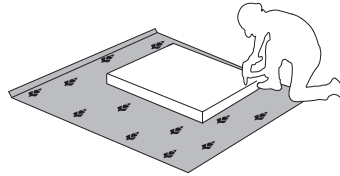
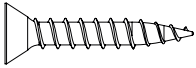
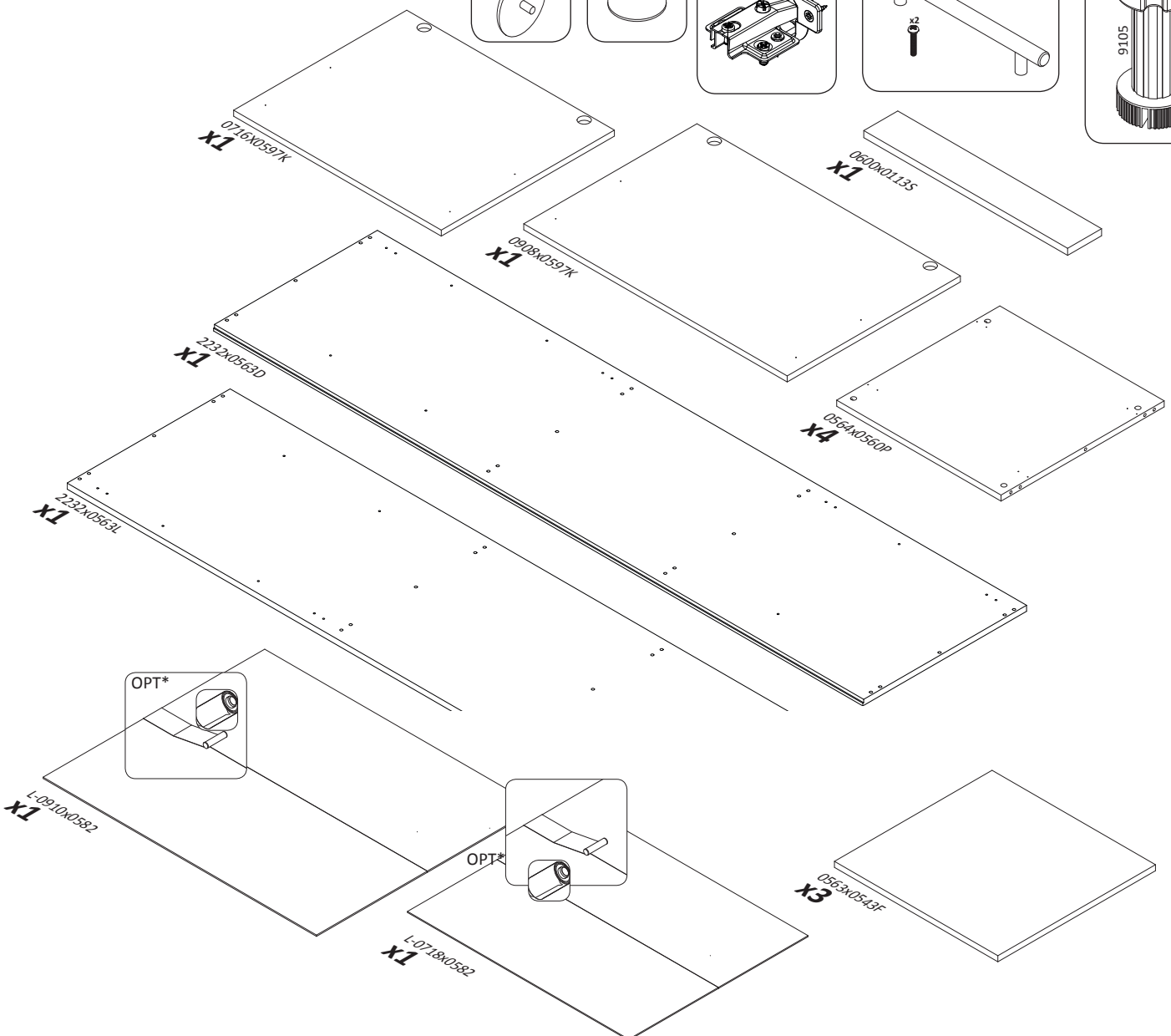
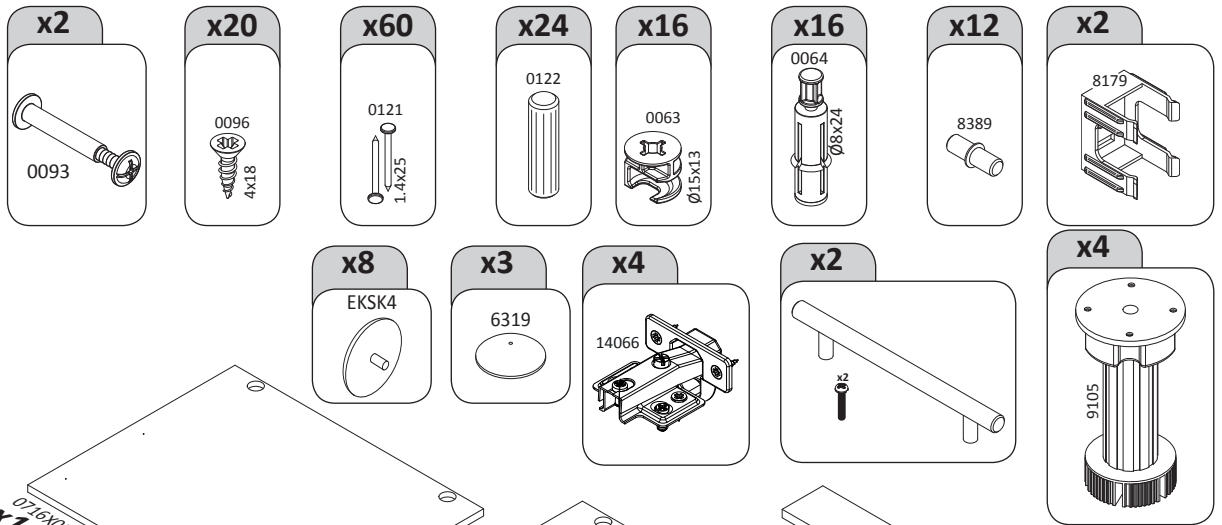


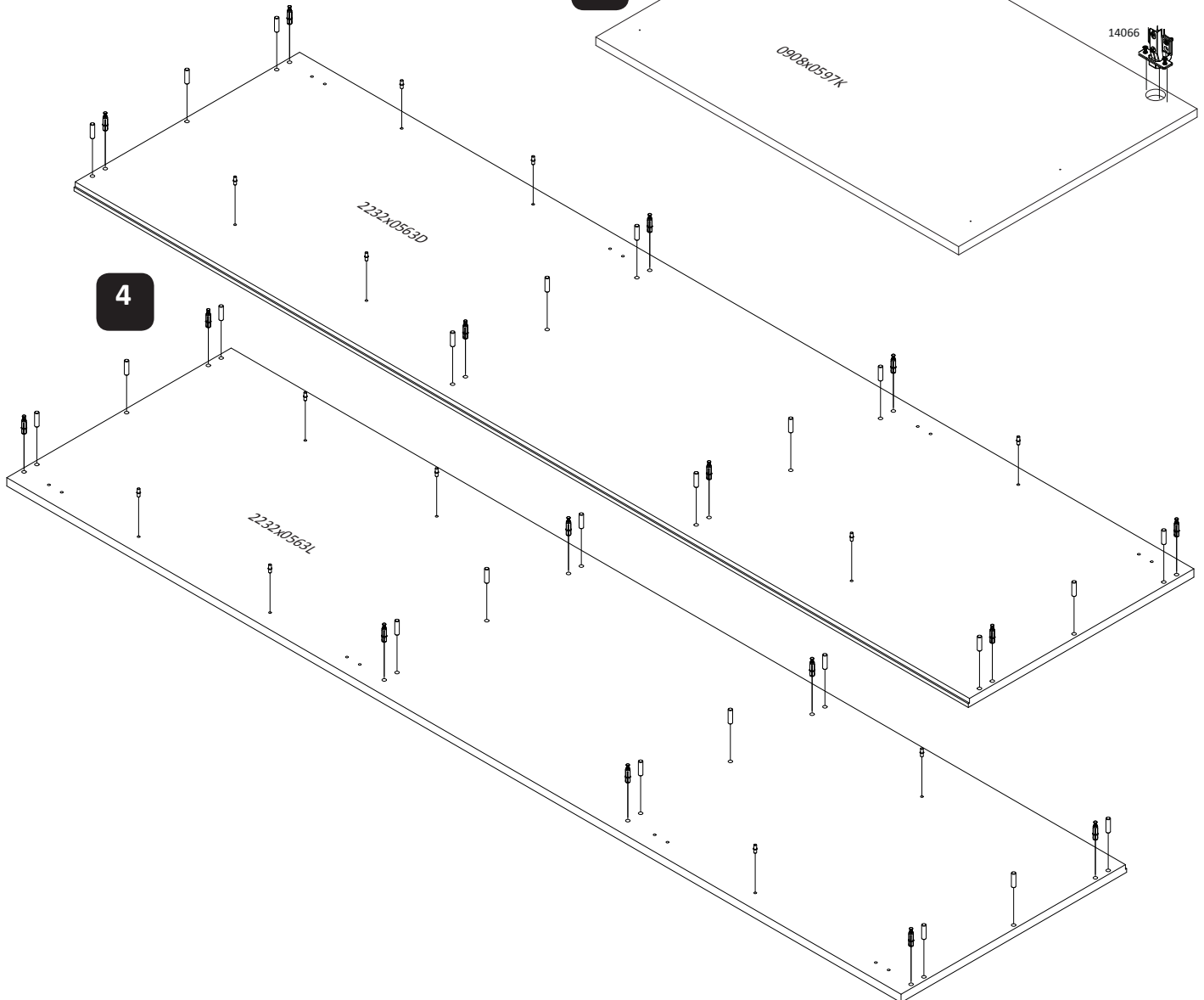
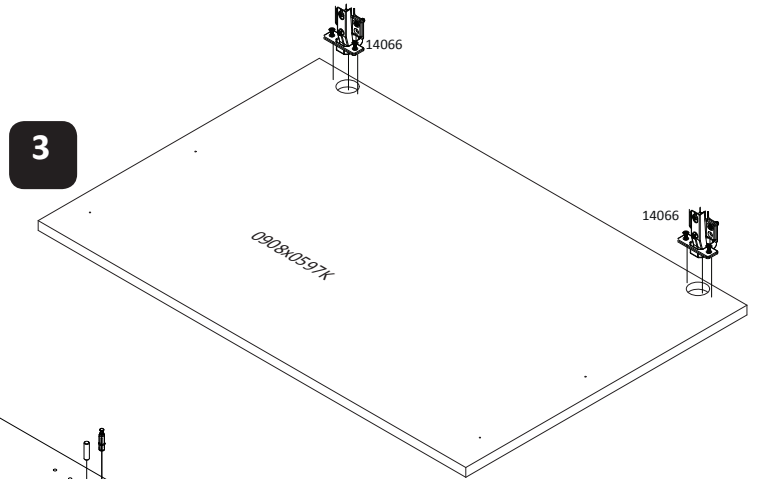
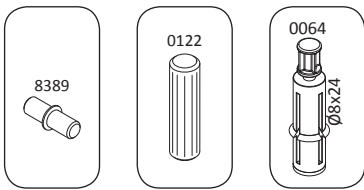
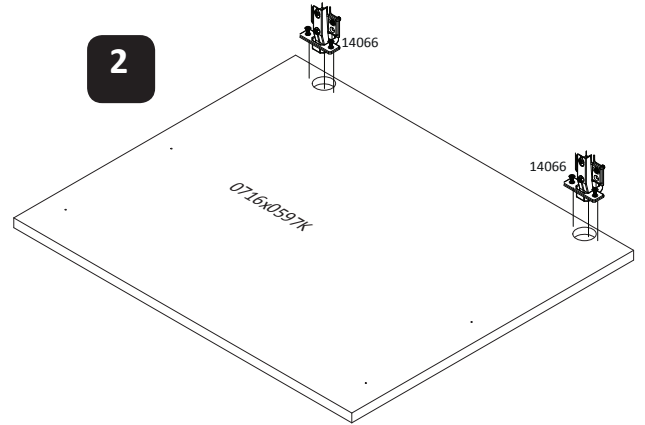
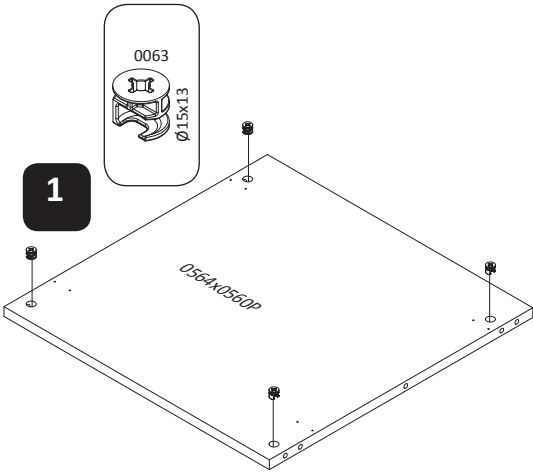


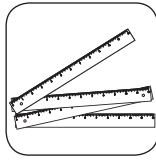
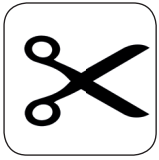
IMPORTANT – READ CAREFULLY – RETAIN FOR FUTURE REFERENCE  
WICHTIG – SOFÄLTIG LESEN UND WAFBEWAHREN



**K23-60-2KR**  
600X2345X600  
9817 04.10.2017.

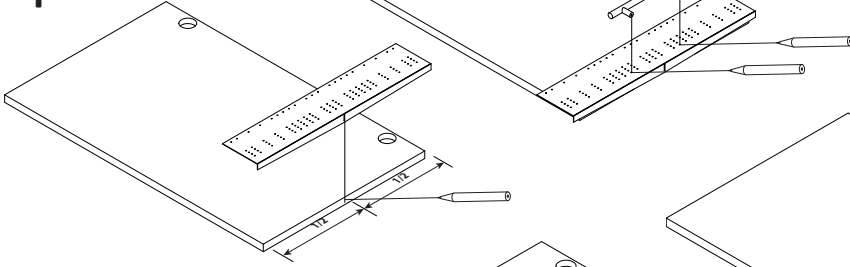




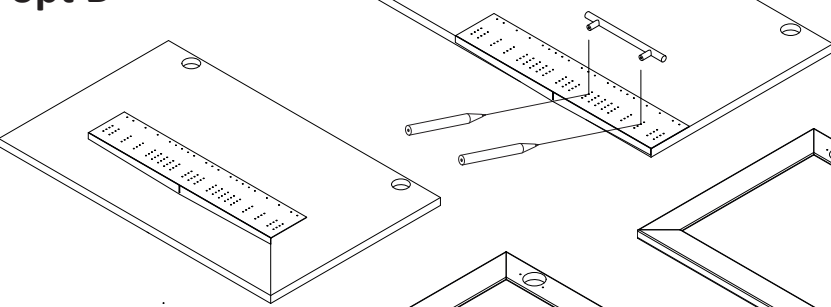


5

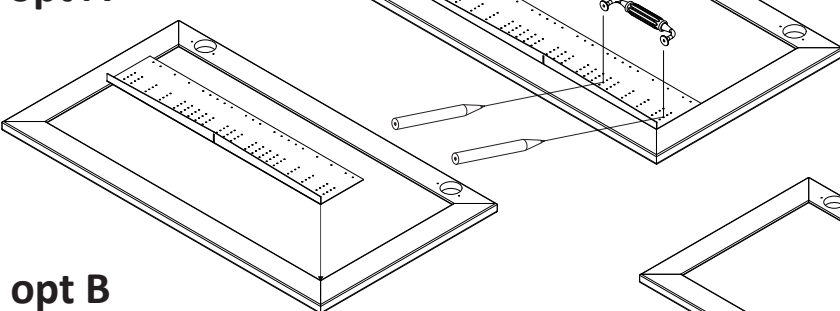
opt A



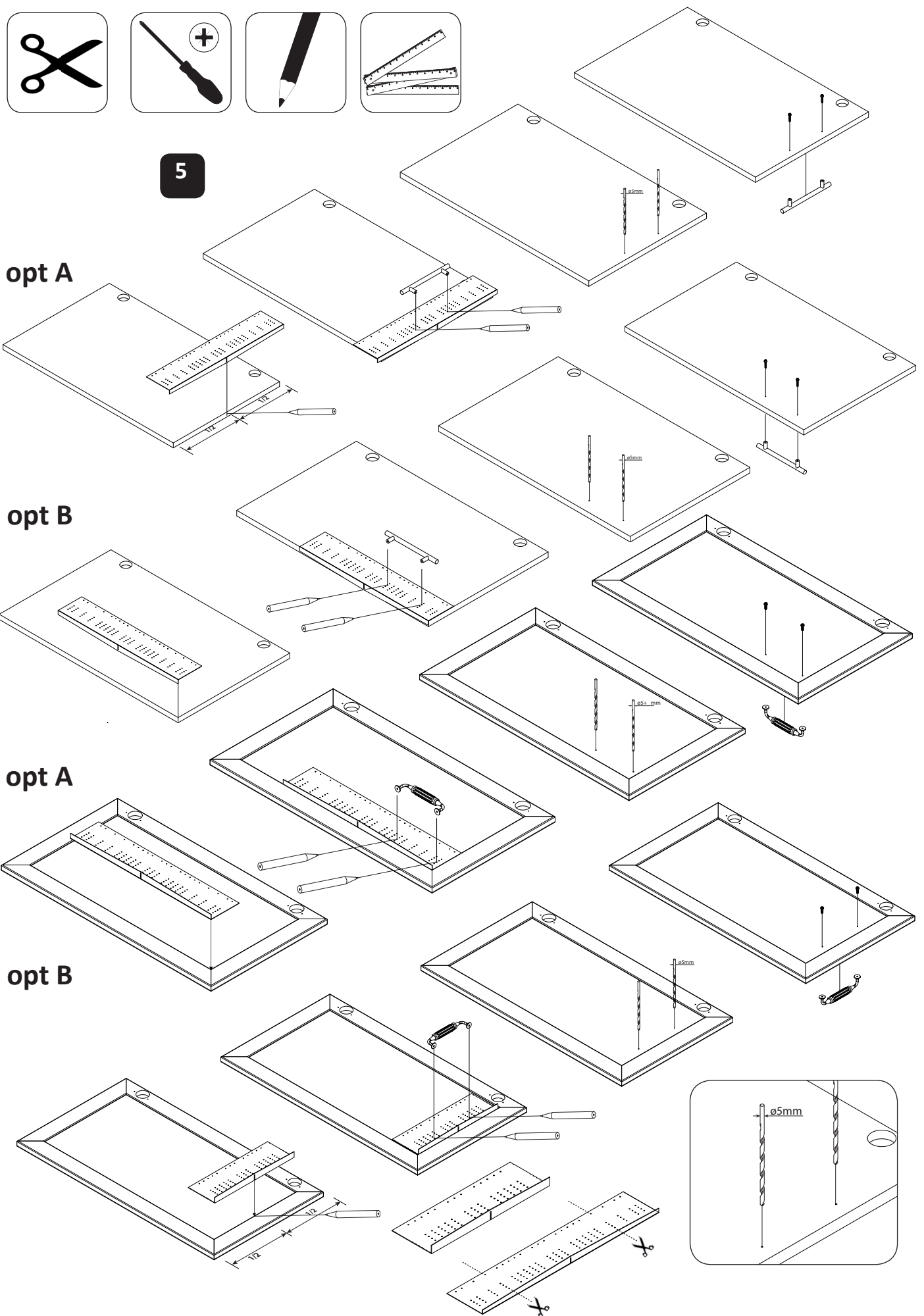
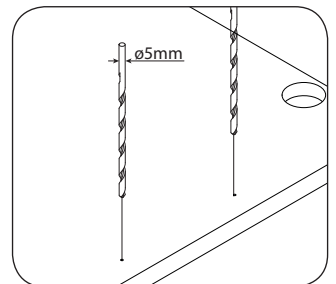
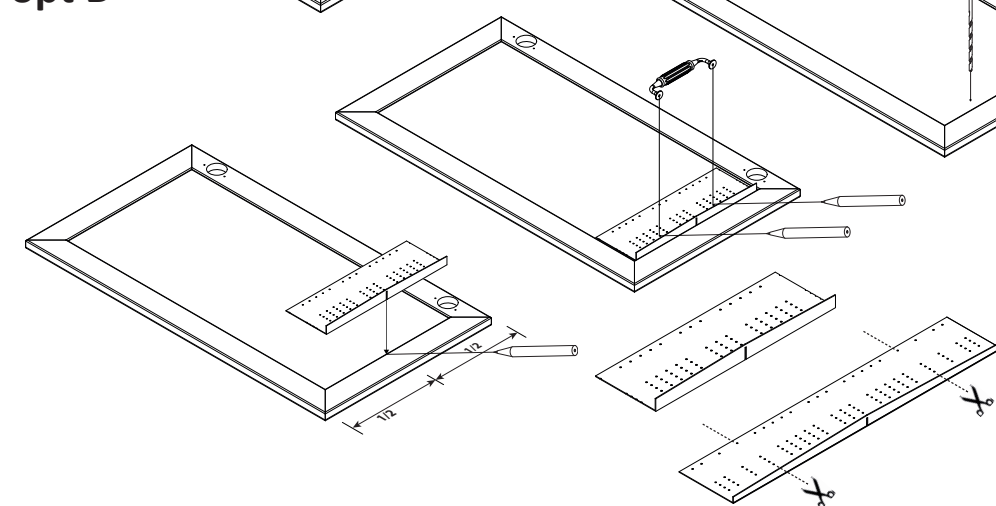
opt B



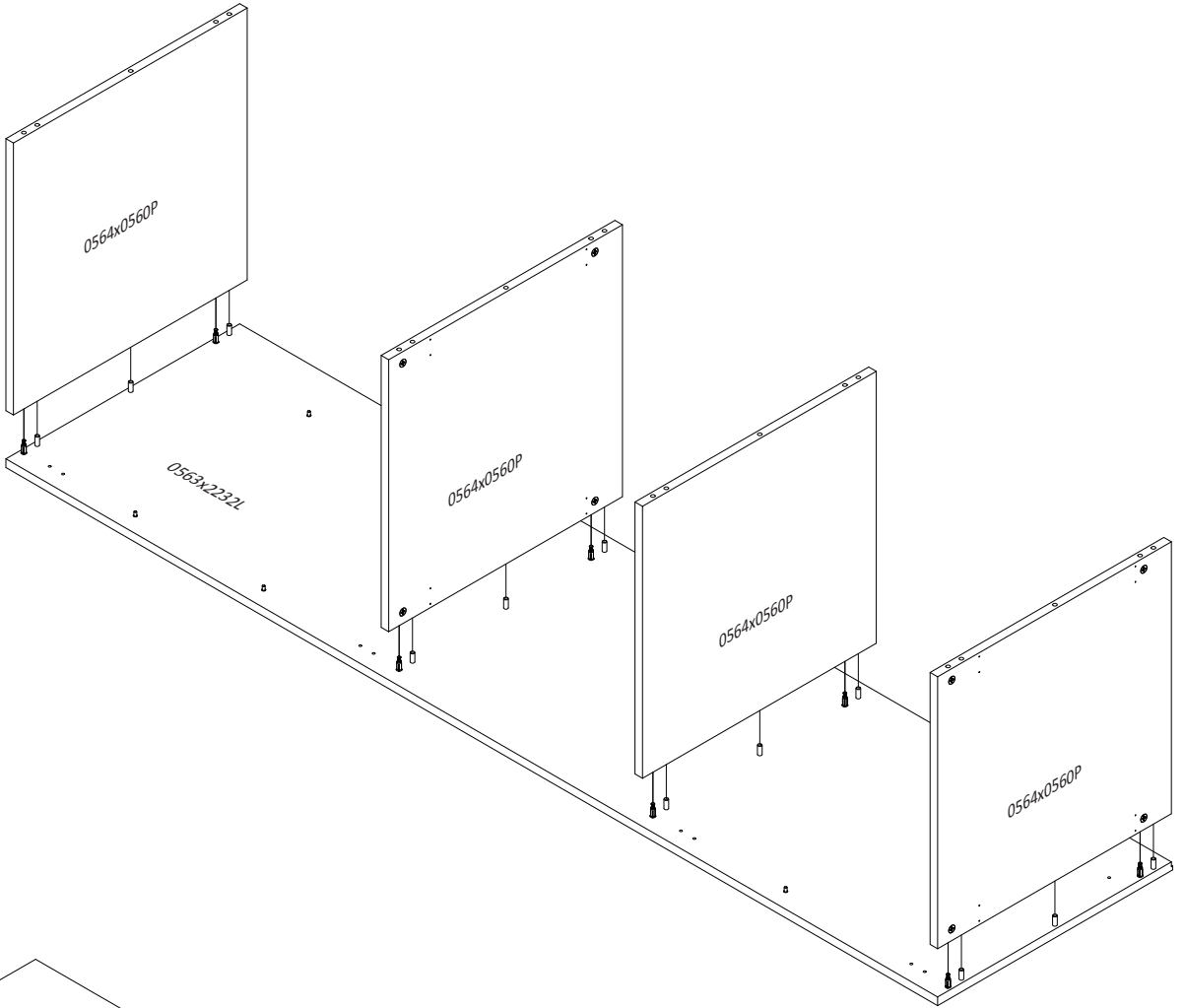
opt A



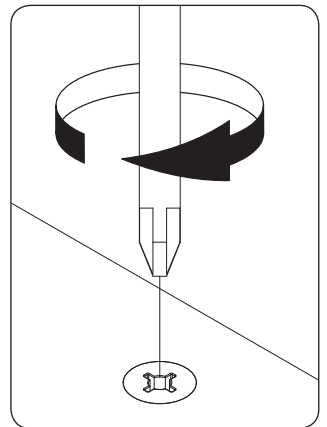
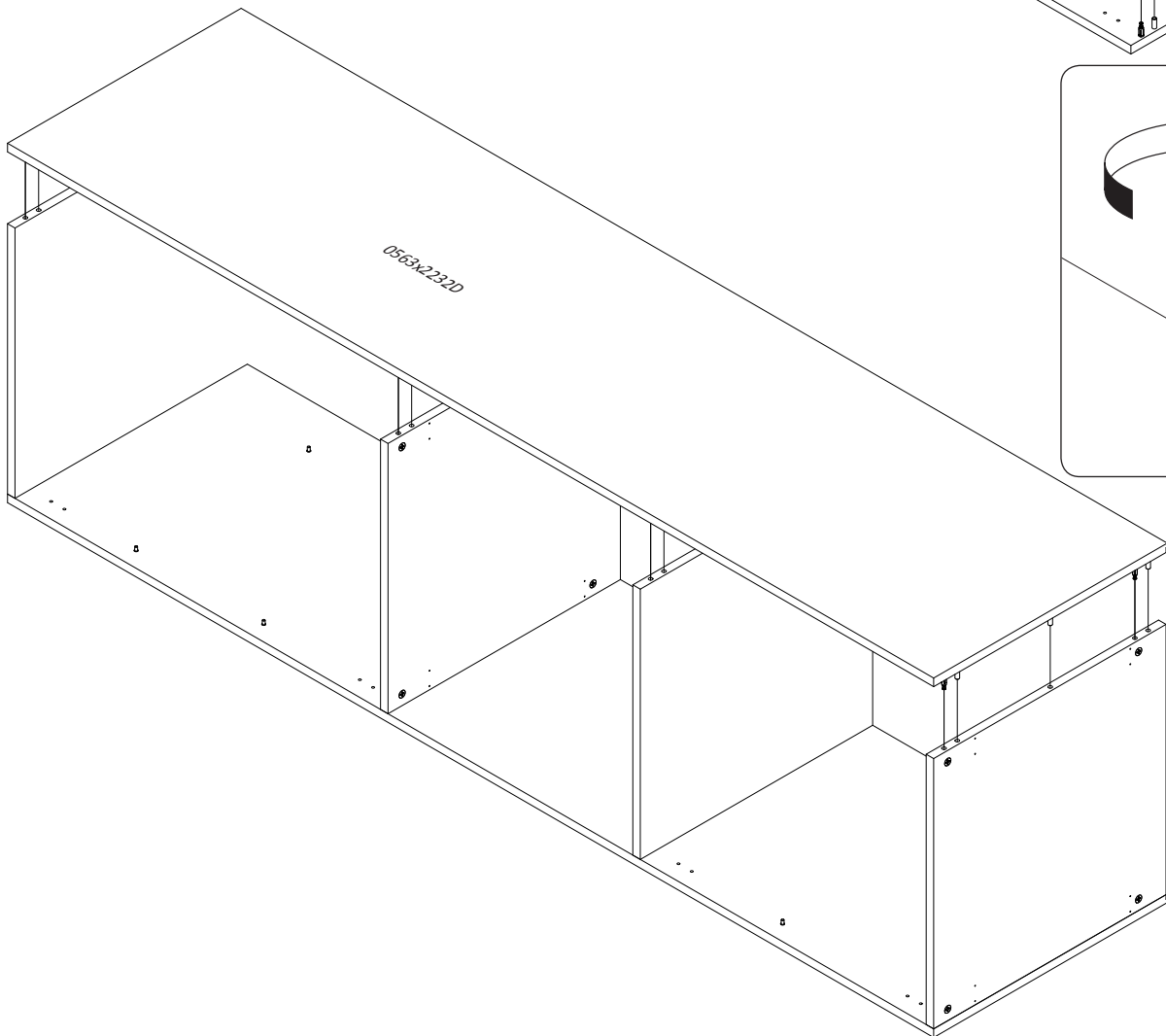
opt B



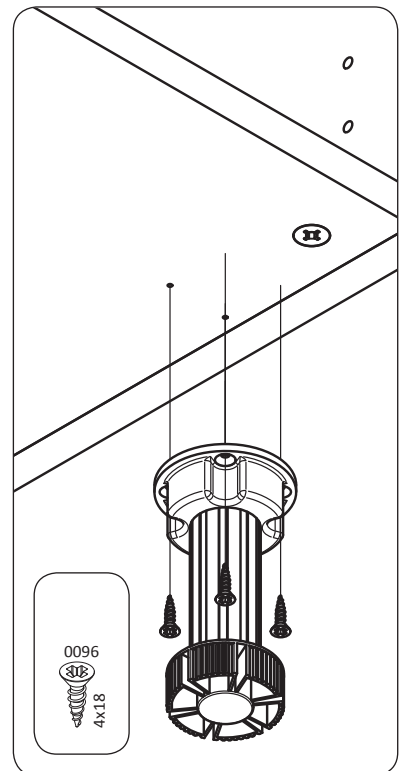
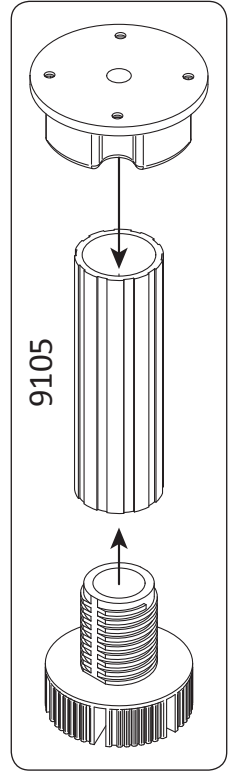
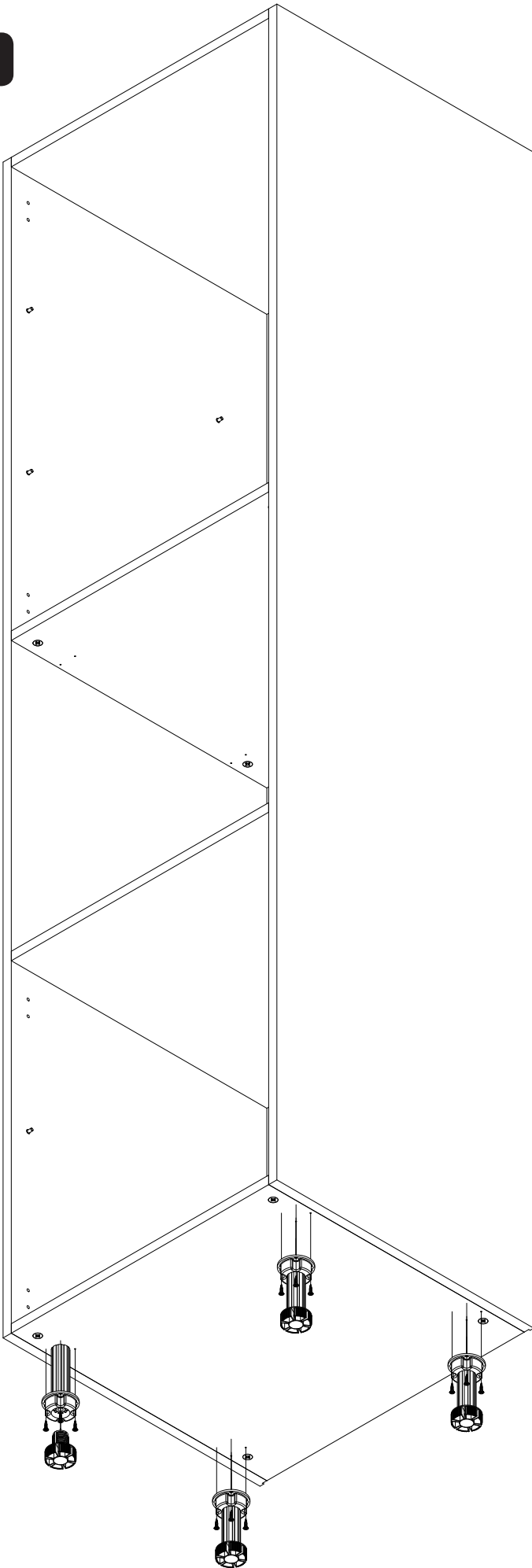
6

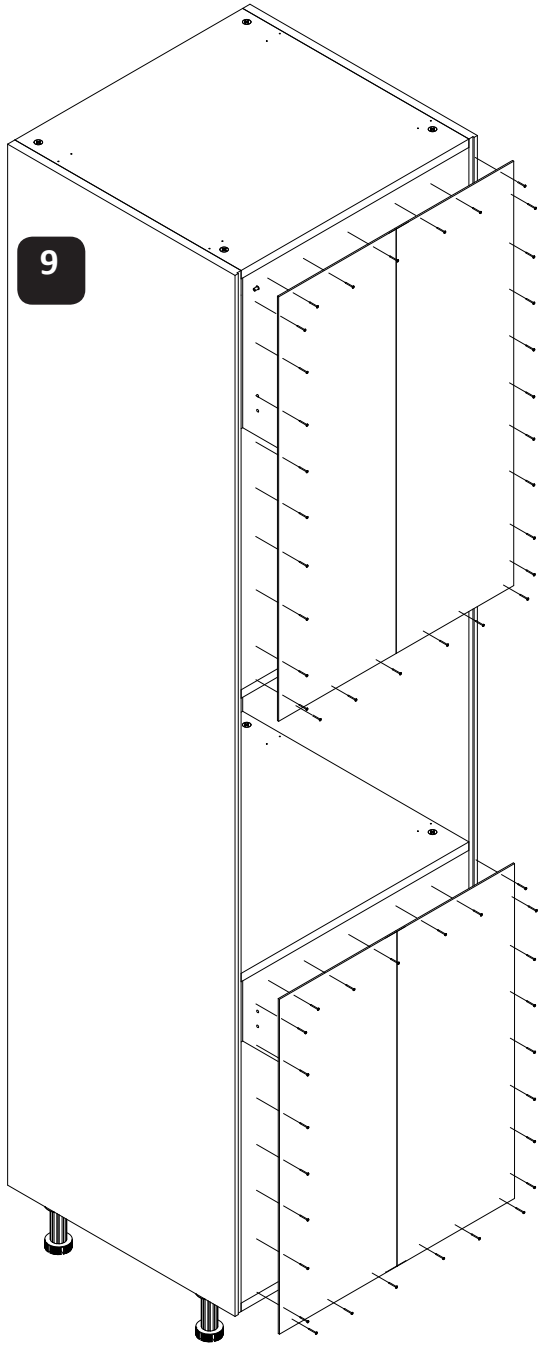


7

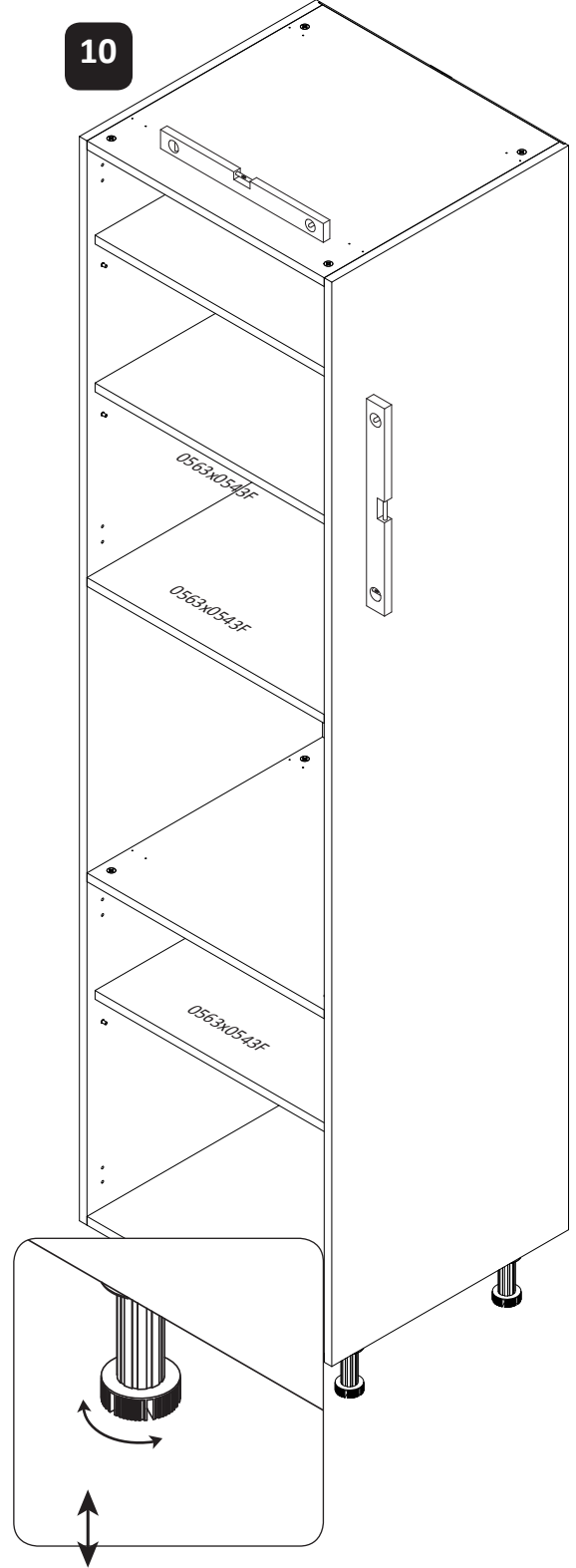
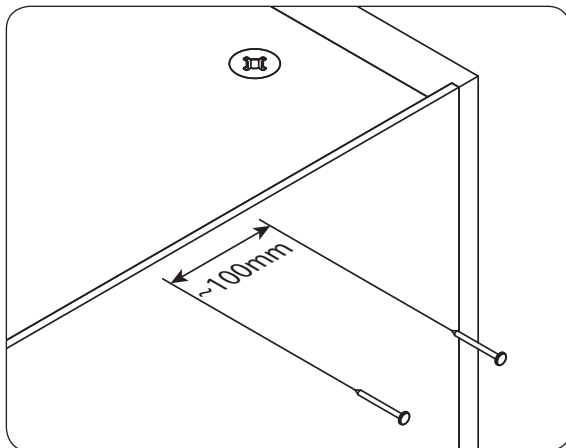
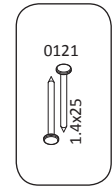


8





9



10

0563A0543F

3F57K6950

0563A0543F

~100mm

11

