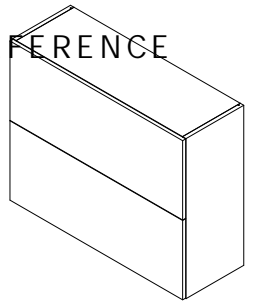
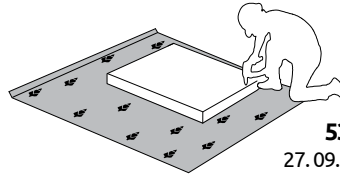
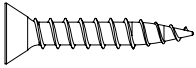




IMPORTANT - READ CAREFULLY - RETAIN FOR FUTURE REFERENCE  
 WICHTIG - SORGFÄLTIG LESEN UND AUFBEWAHREN

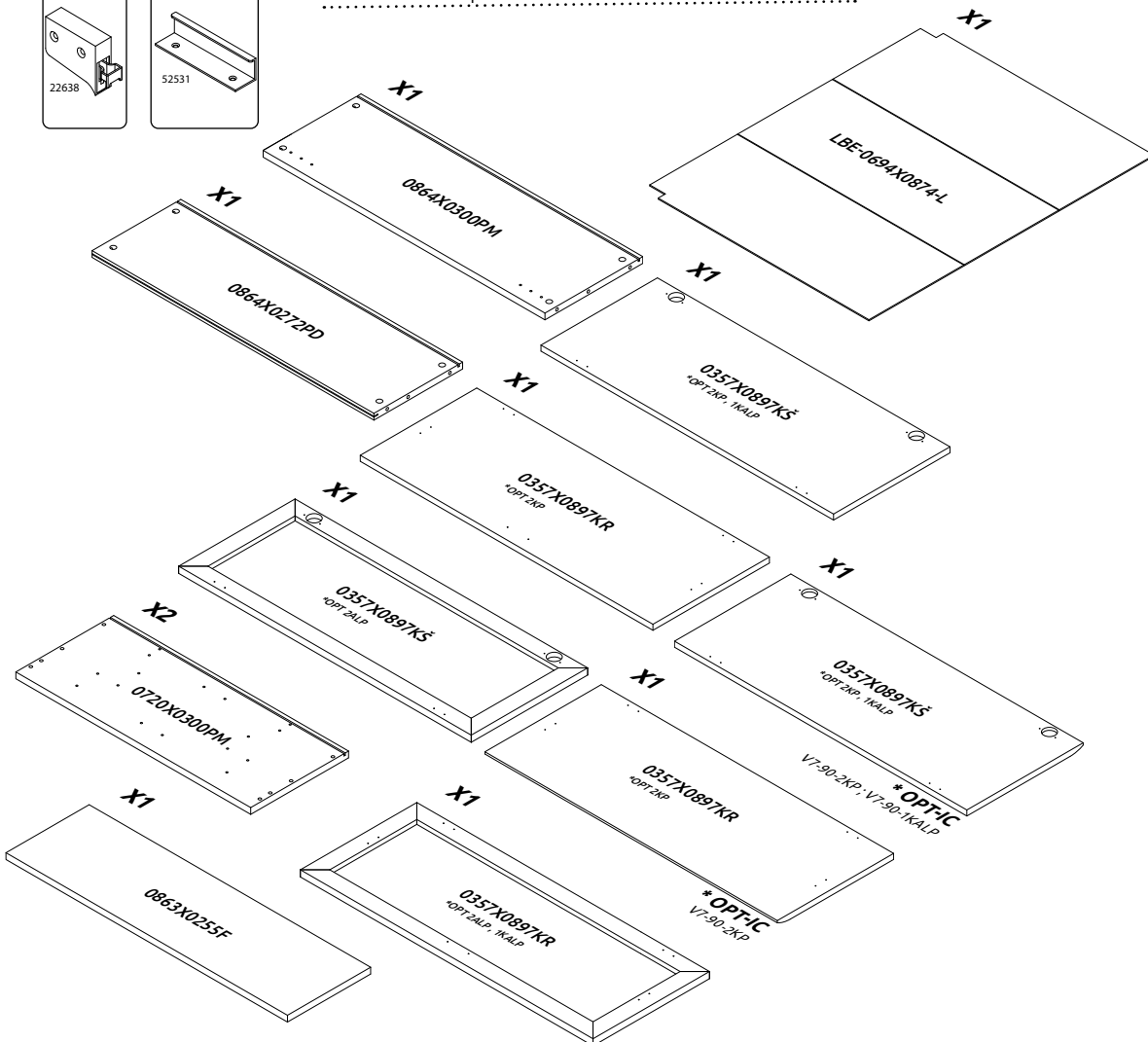


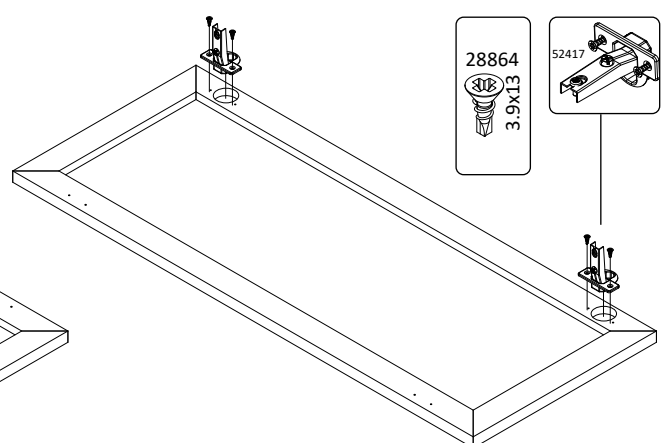
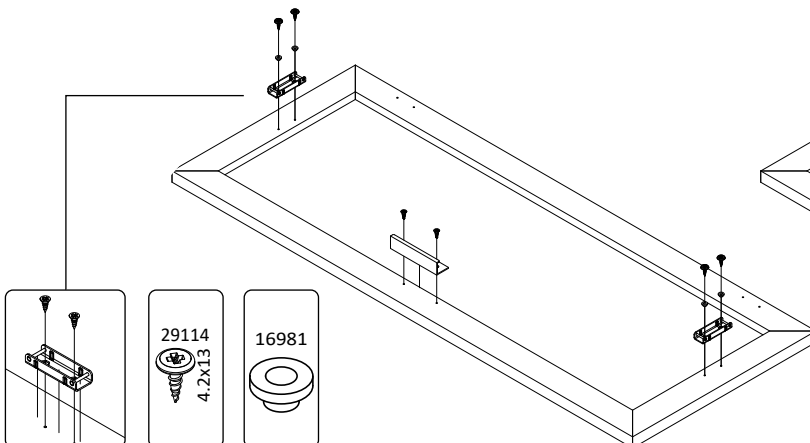
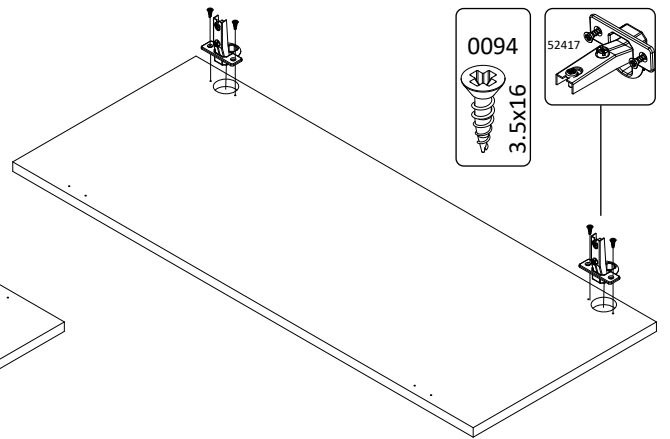
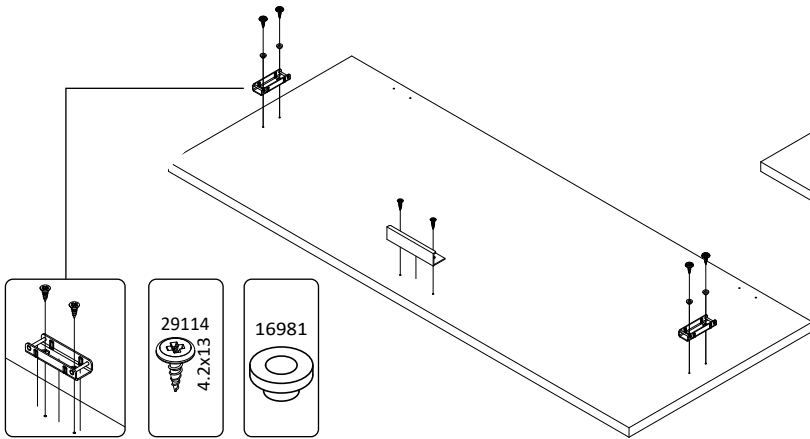
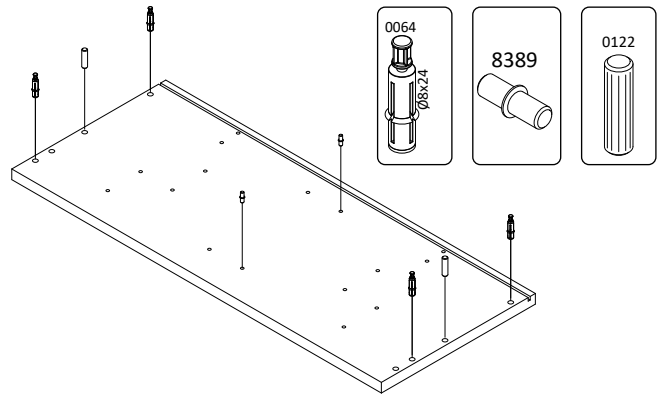
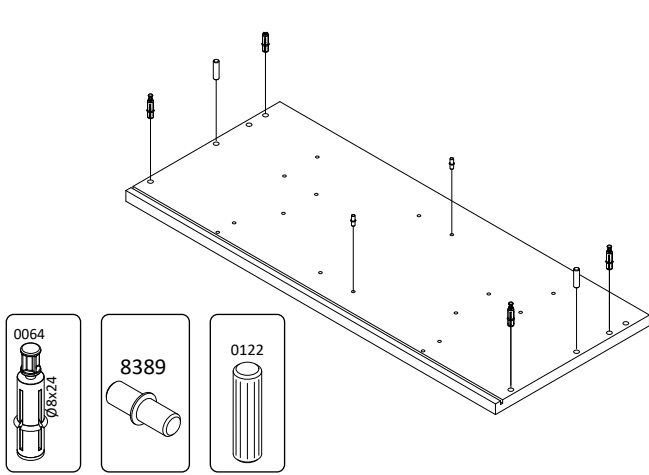
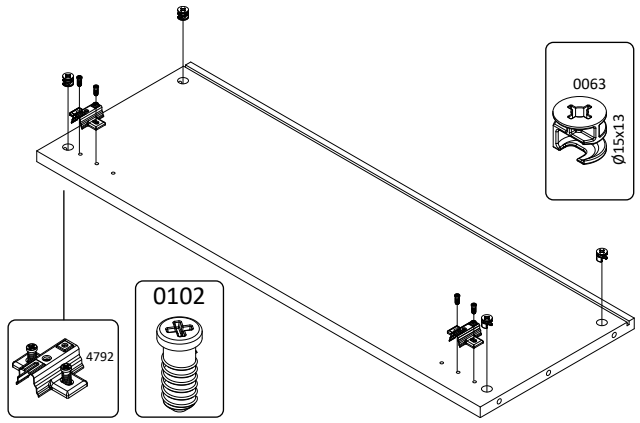
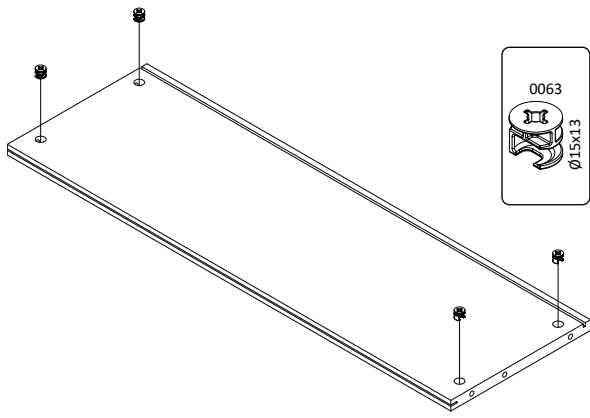
**V7-90-2KP**  
 LHW 900x720x320



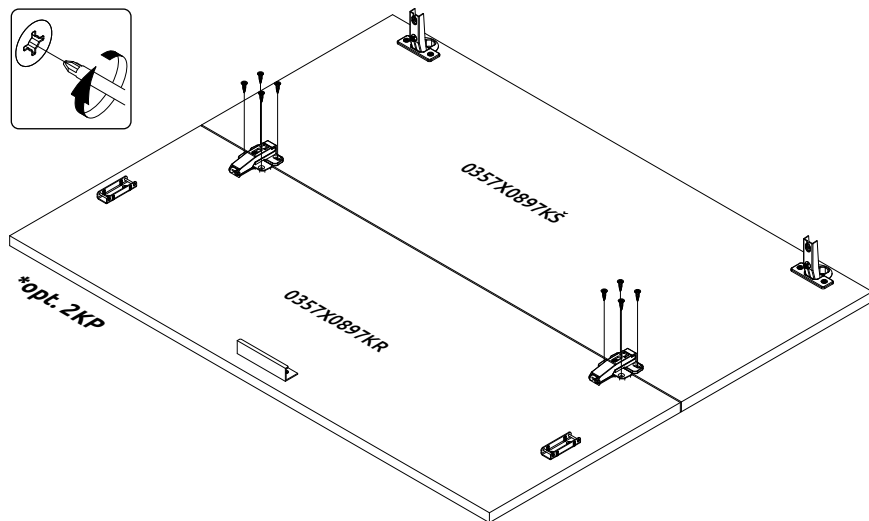
53956  
 27.09.2022

<b>x8</b> 0063 Ø15x13	<b>x8</b> 0064 Ø8x24	<b>x4</b> 8389	<b>x4</b> 0122	<b>x8</b> EKSK4-BE	<b>x6</b> 0108	<b>x2</b> 0093	<b>x6</b> 0095 3.5x20	<b>x4</b> 2114 4x35	<b>x2</b> 6319	<b>x1</b> 38417
<b>x4</b> 0102	<b>x2</b> 52417 52418	<b>x4</b> 29114 4.2x13	<b>x4</b> 16981	<b>x8</b> 0091 M4x14	<b>x1</b> 28864 3.9x13	opt. 2ALP - <b>x14</b> opt. 1KALP - <b>x6</b>		0094 3.5x16 opt. 2KP - <b>x14</b> opt. 2ALP - <b>x4</b> opt. 1KALP - <b>x8</b>		
<b>x2</b> 22638	<b>x1</b> 52531	opt. 2ALP opt. 1KALP								

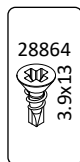
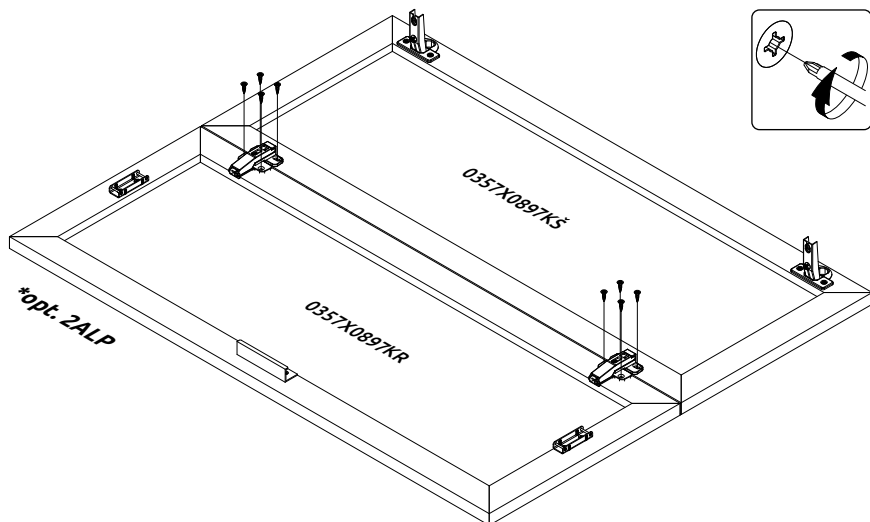
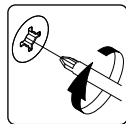




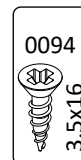
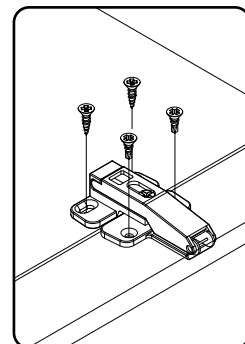
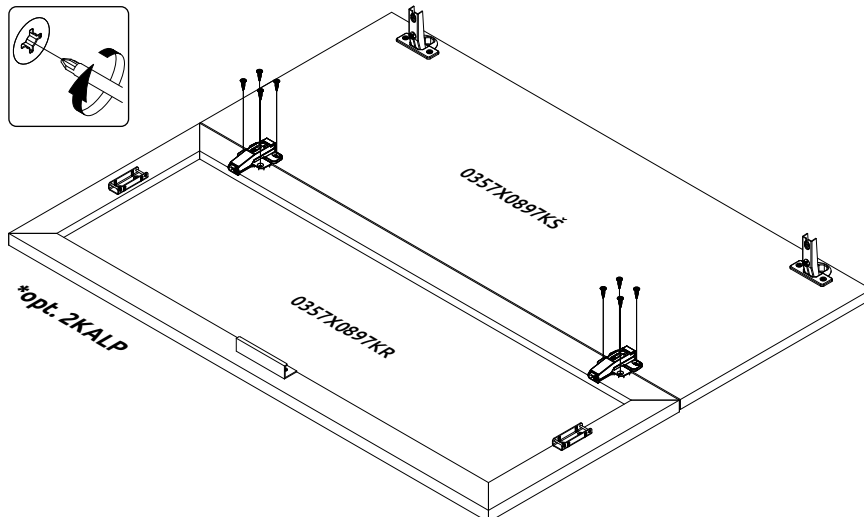
1

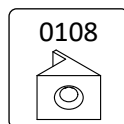
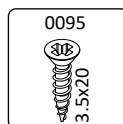
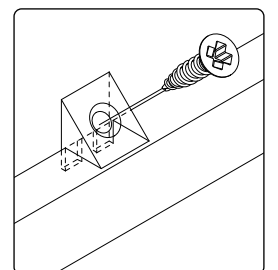
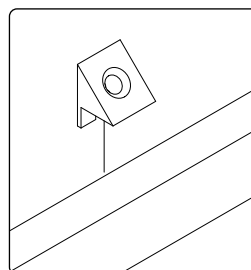
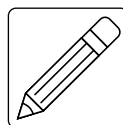
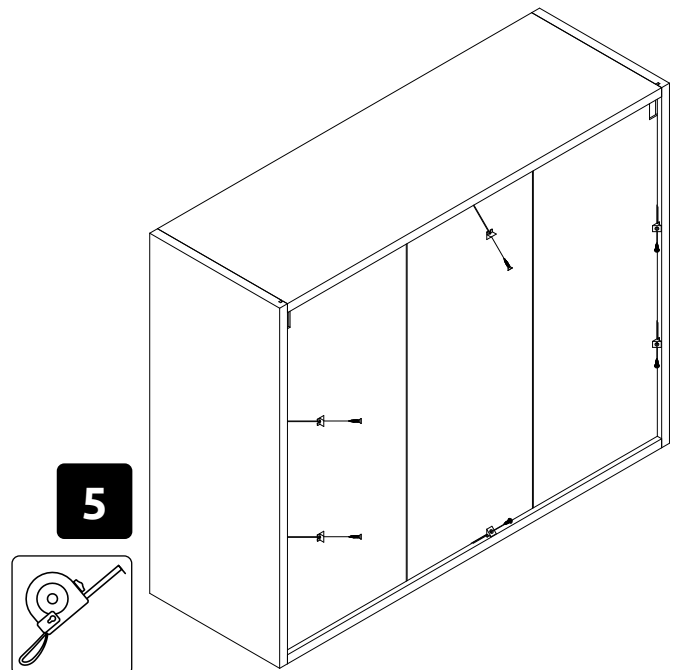
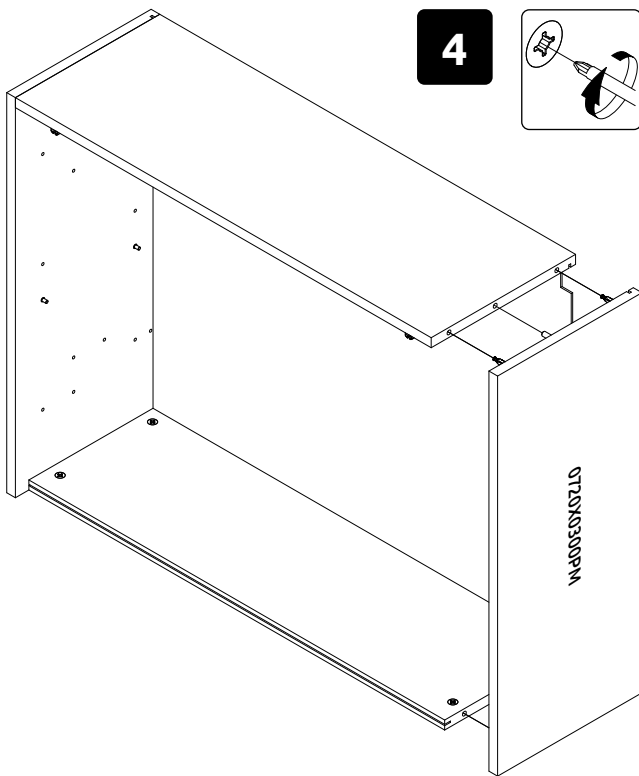
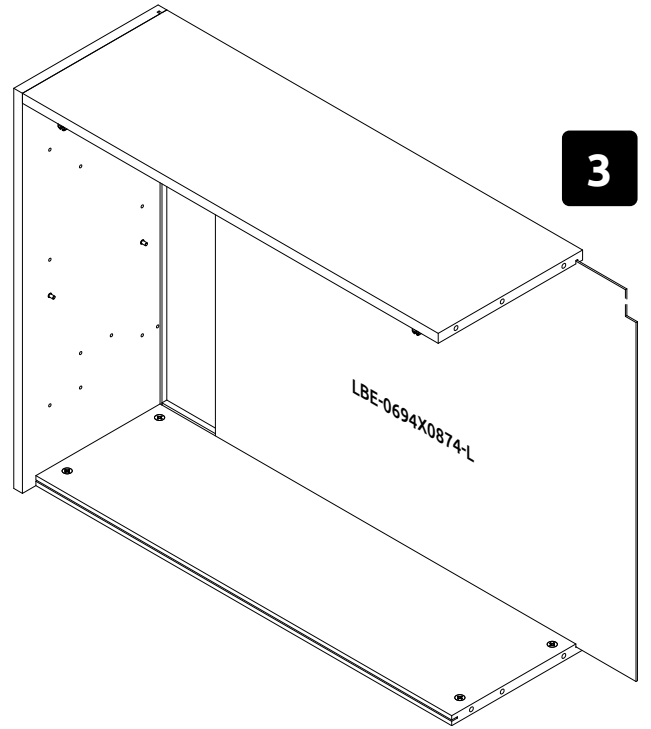
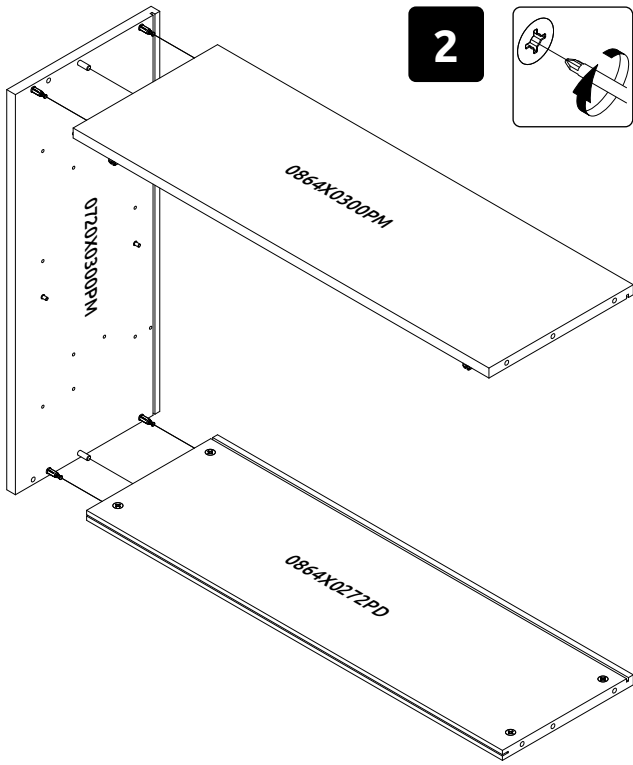


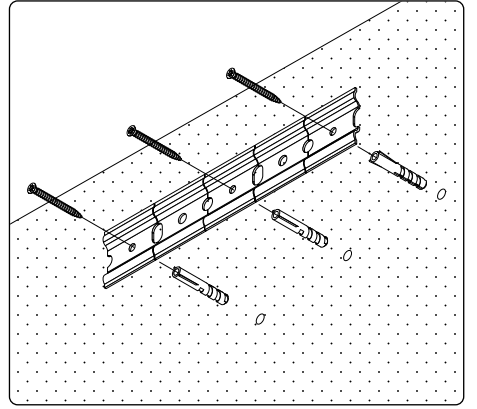
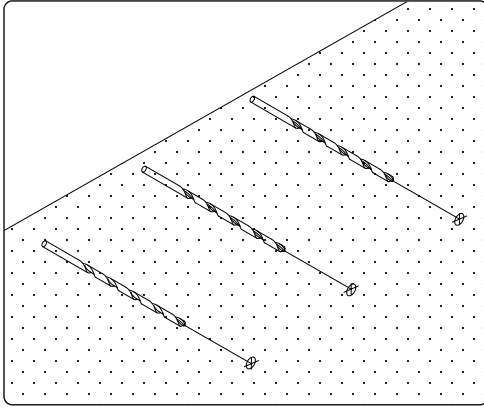
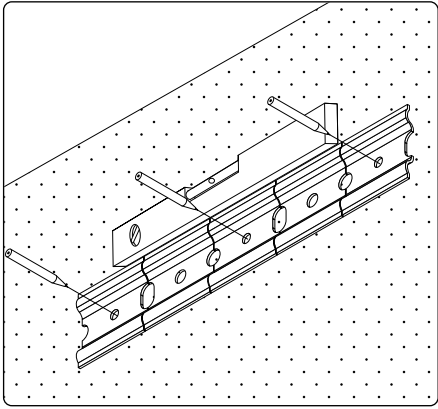
1



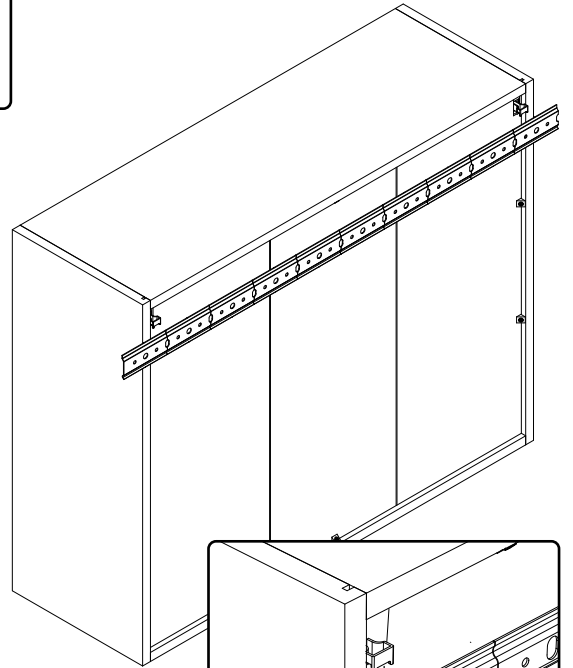
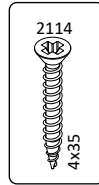
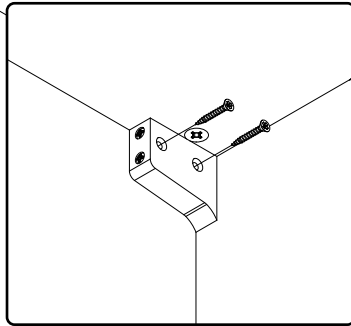
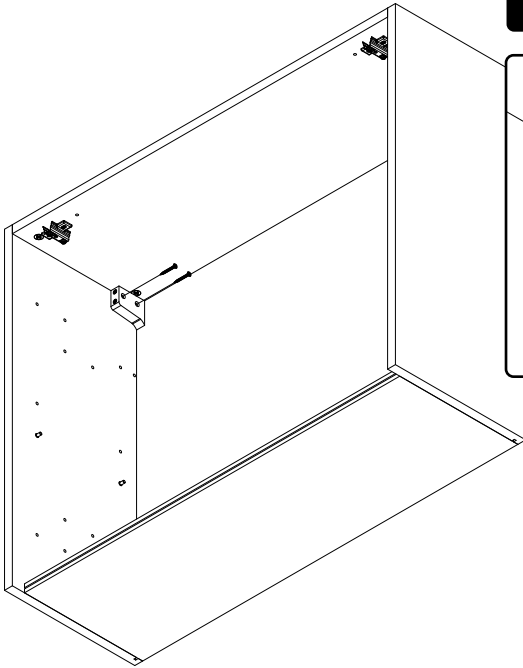
1



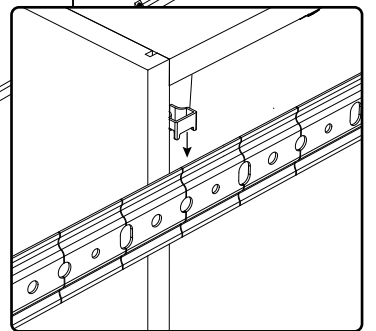
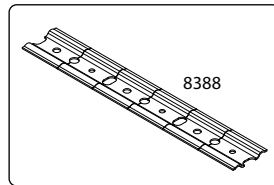




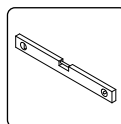
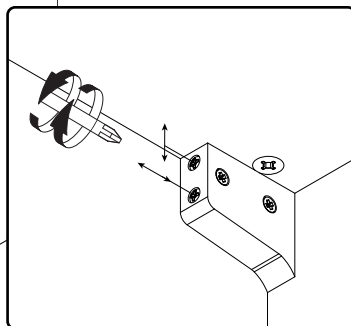
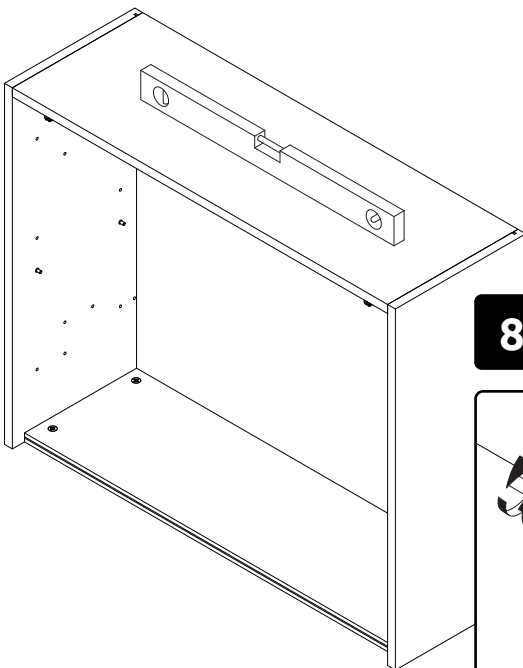
**6**

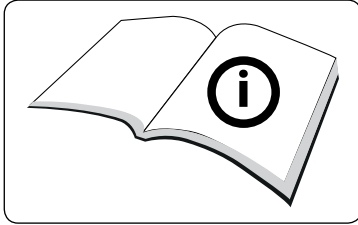


**7**

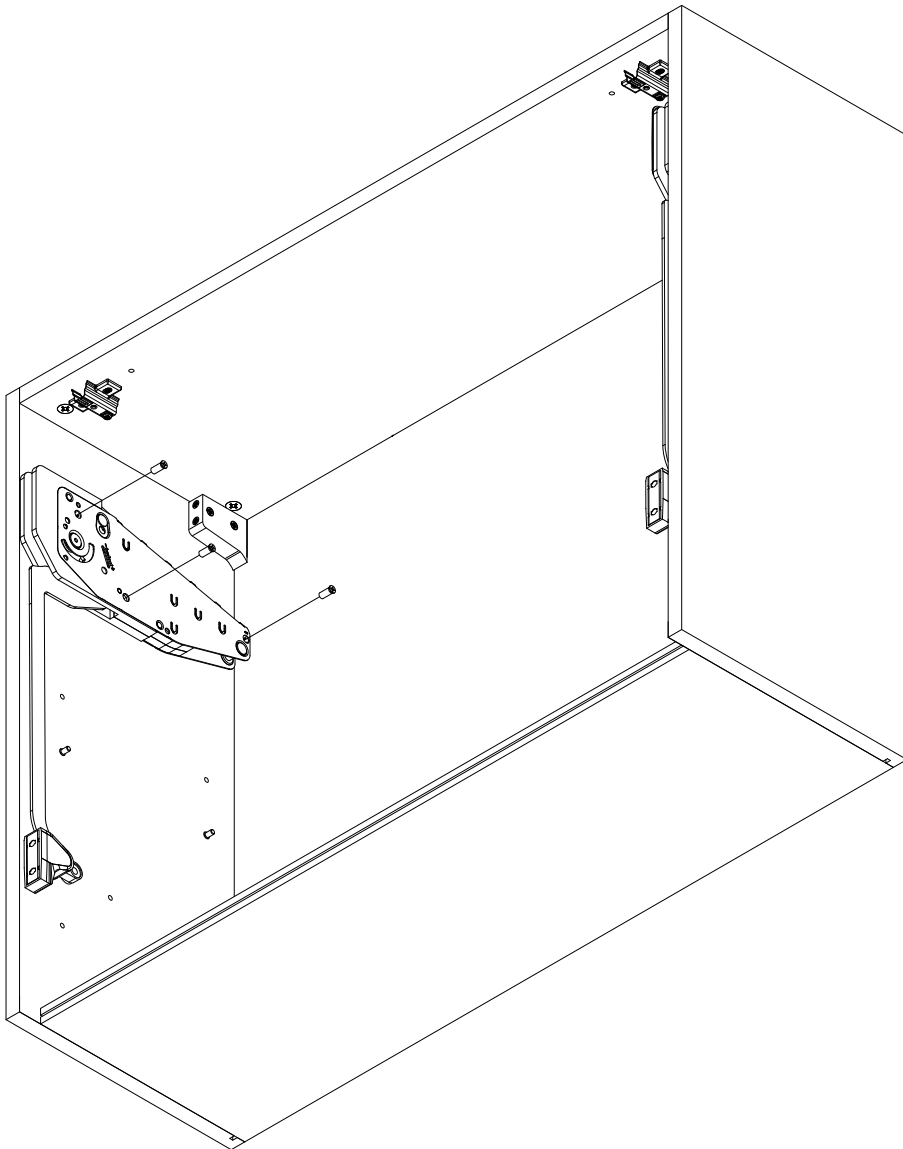
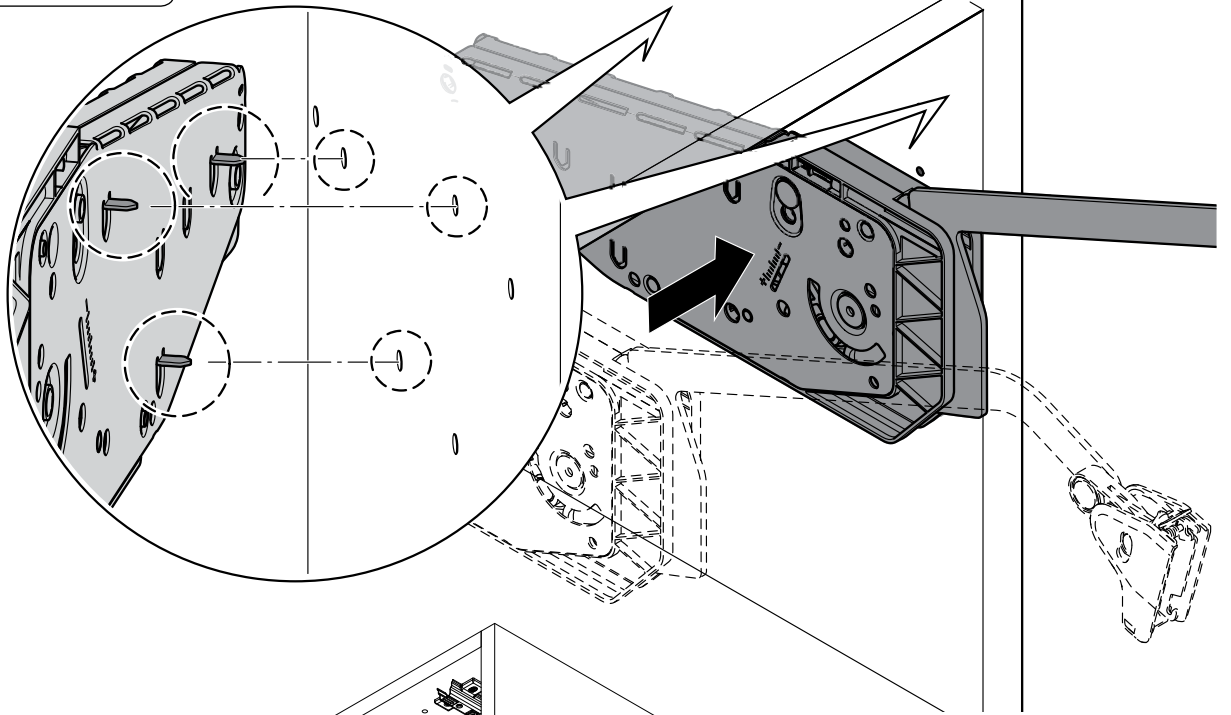


**8**

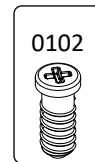




9

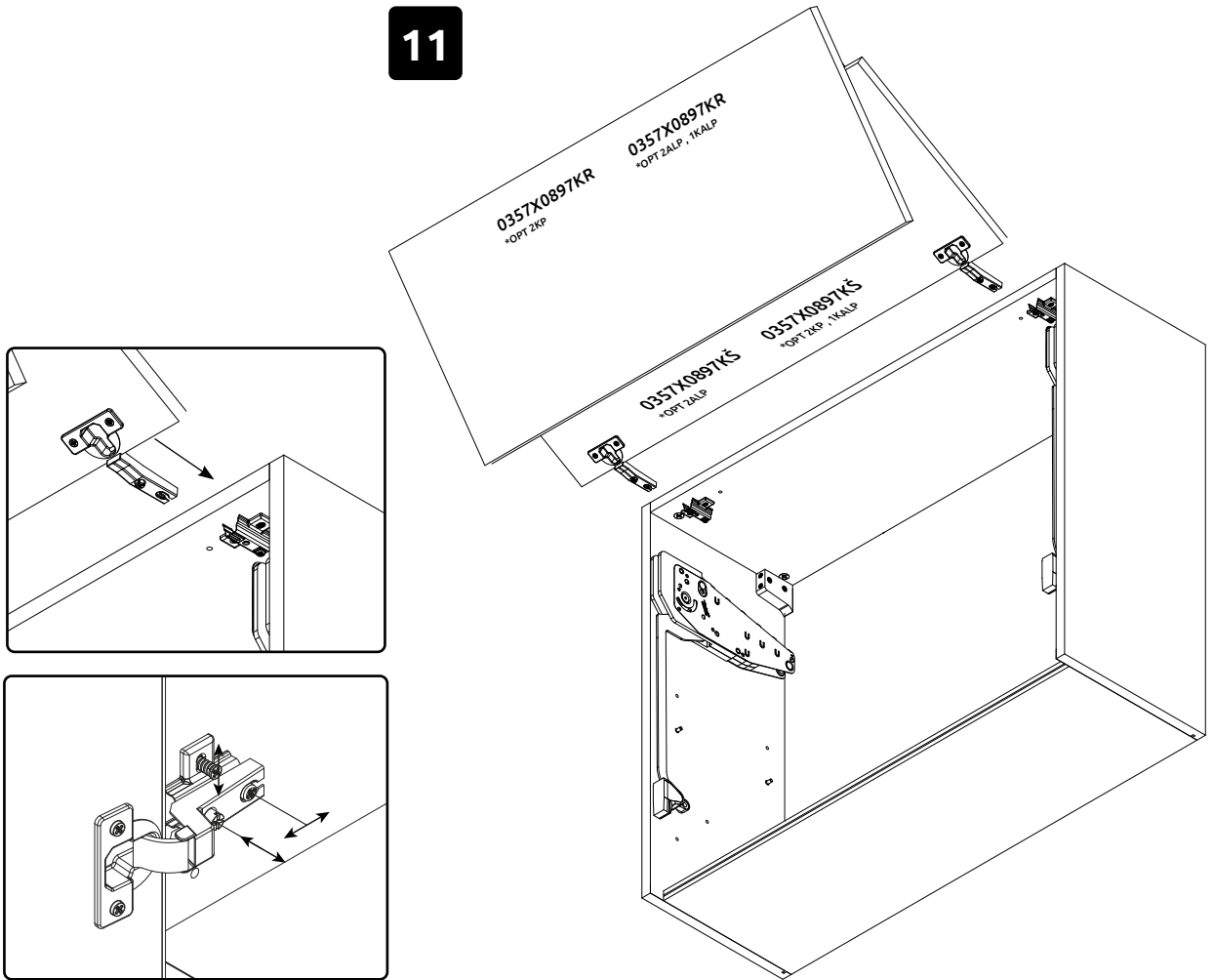


10

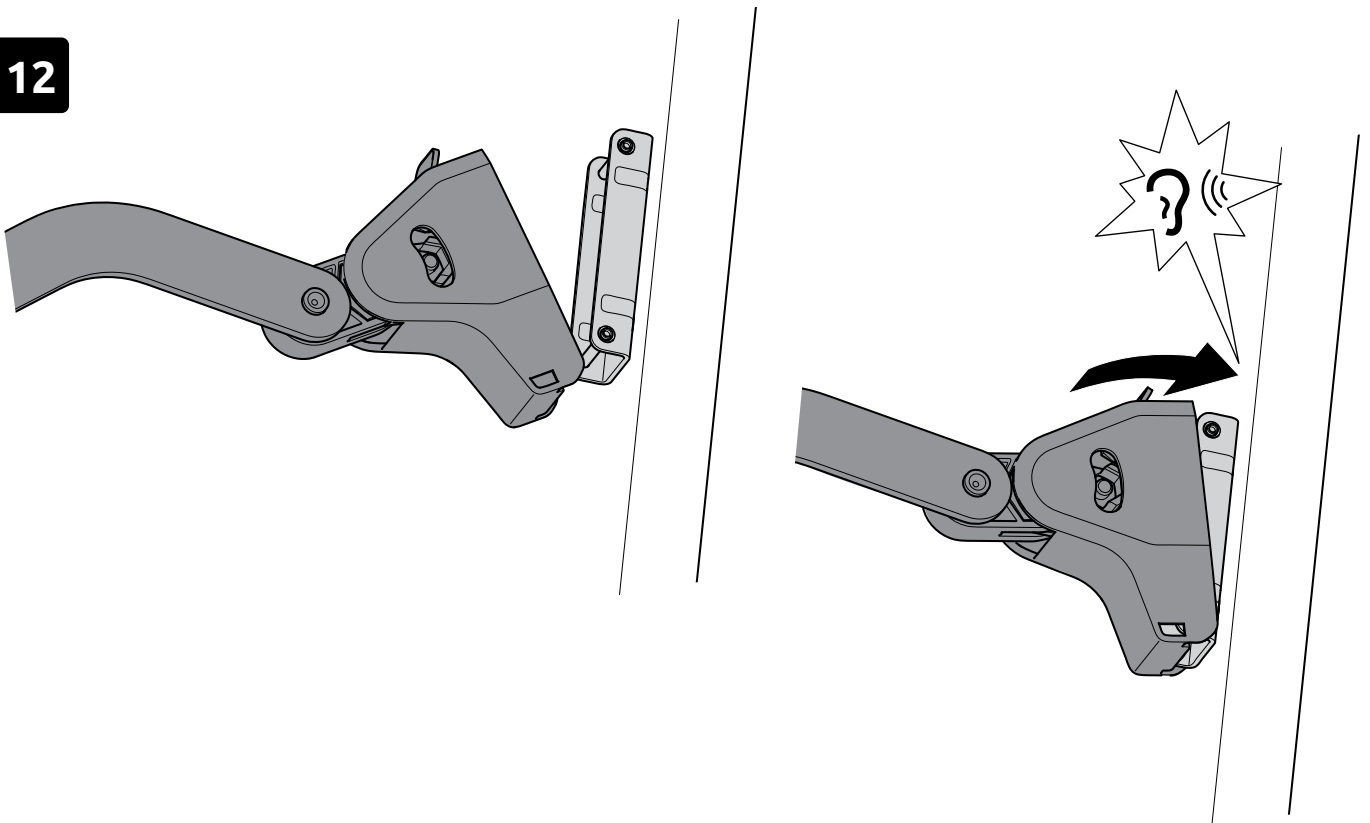


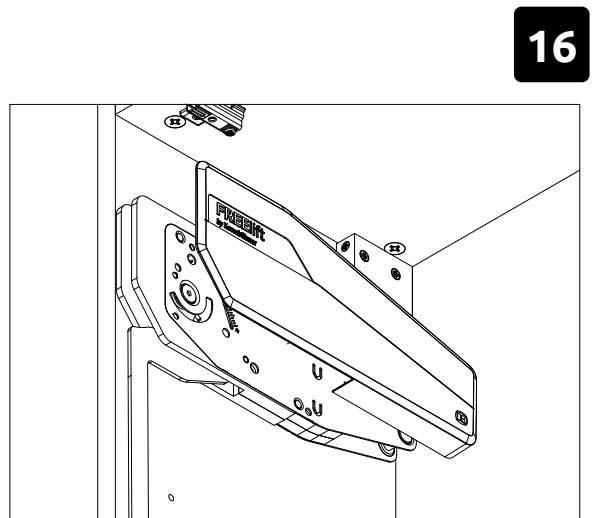
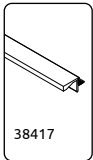
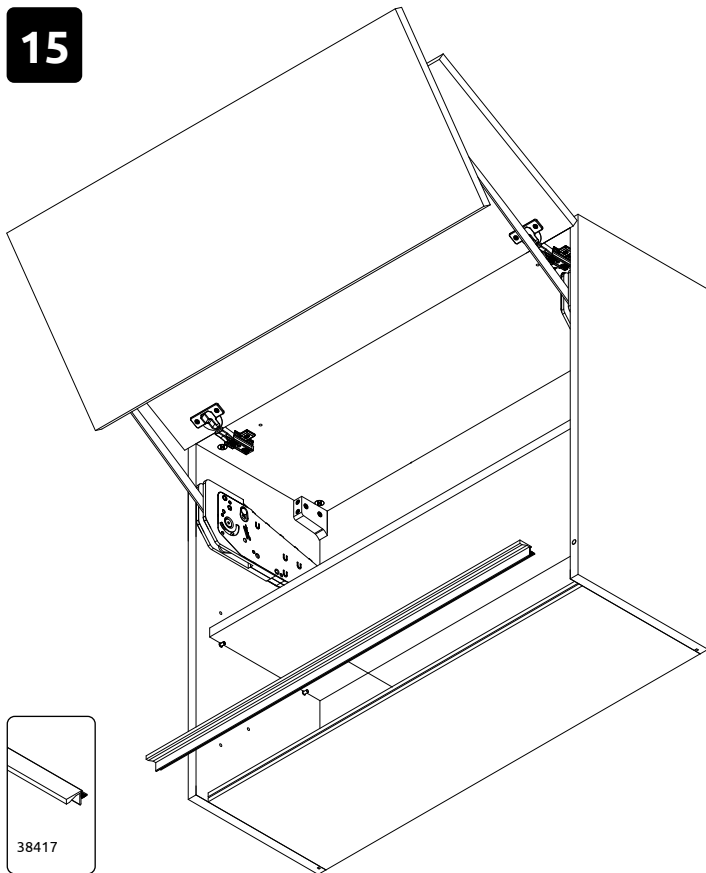
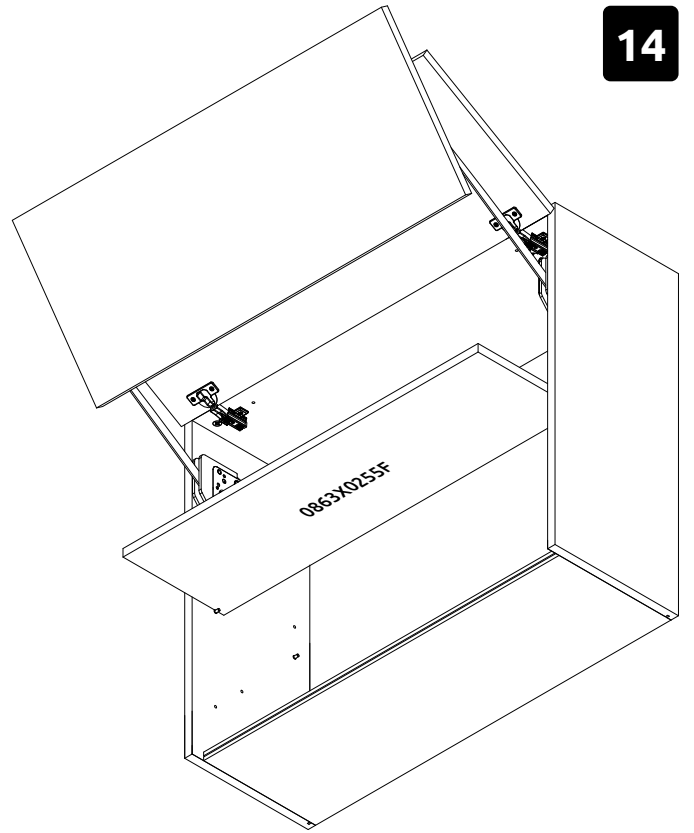
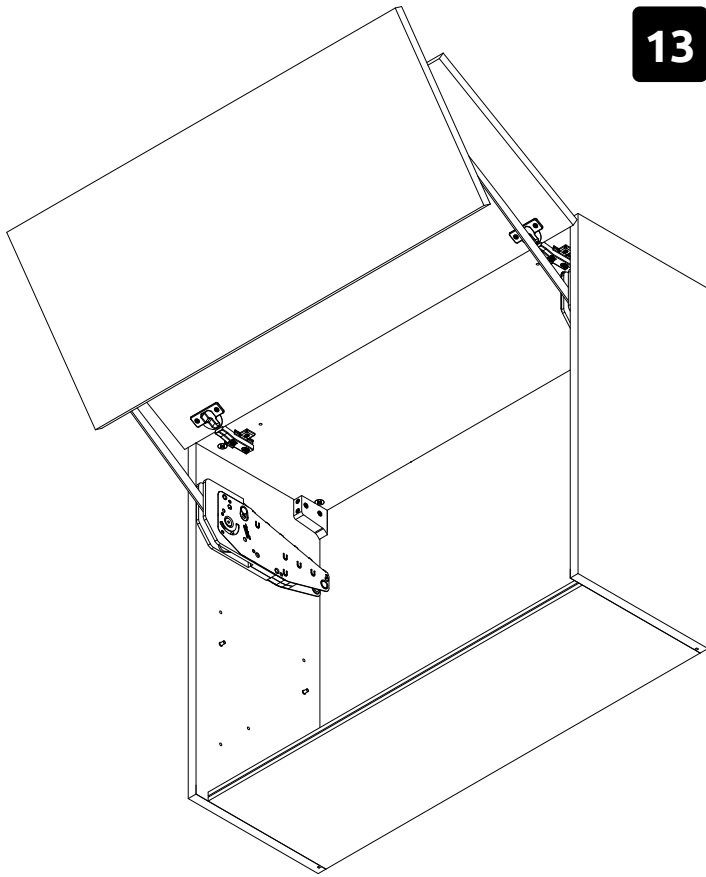
0102

11



12







17

