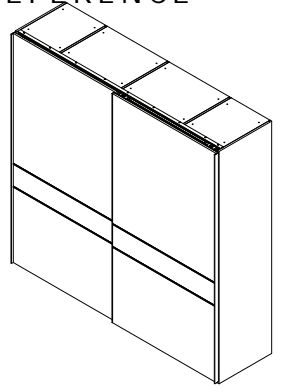
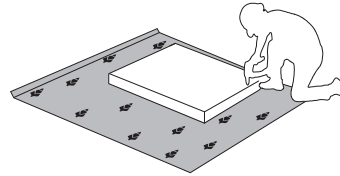
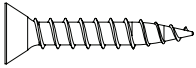
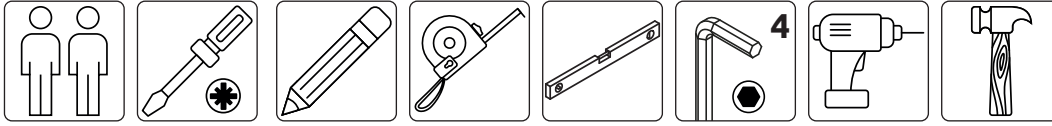




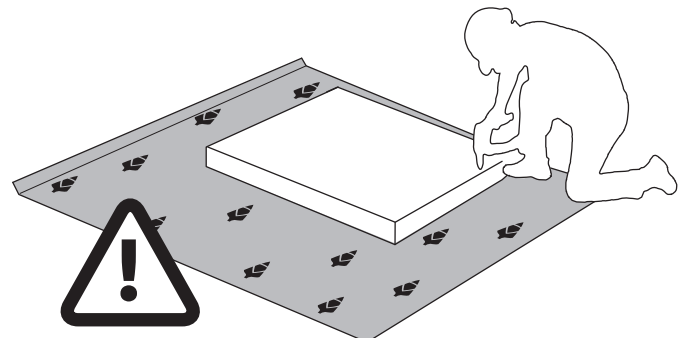
IMPORTANT - READ CAREFULLY - RETAIN FOR FUTURE REFERENCE
 WICHTIG - SORGFÄLTIG LESEN UND AUFBEWAHREN

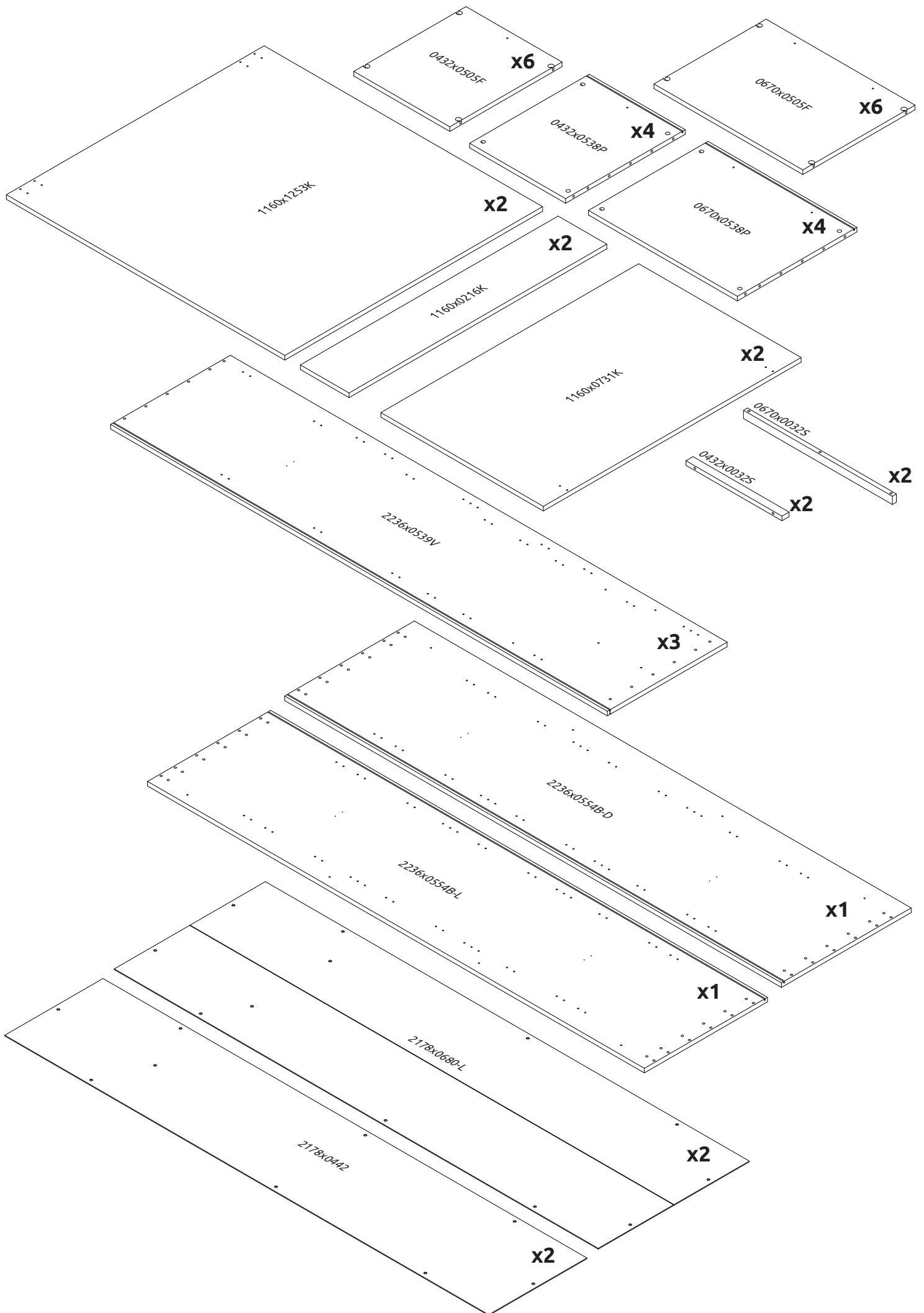


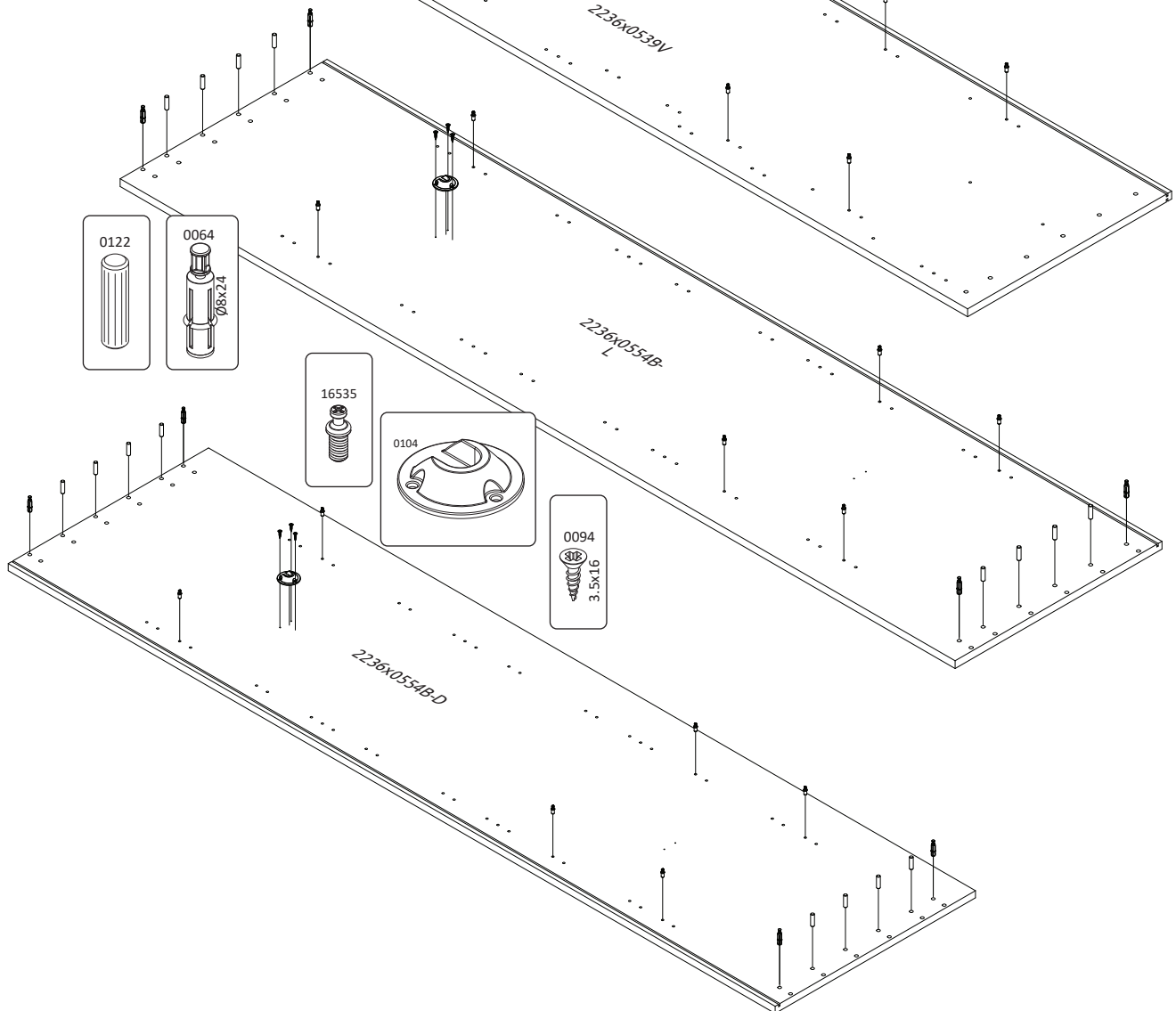
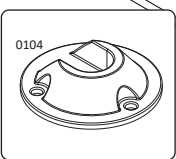
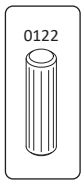
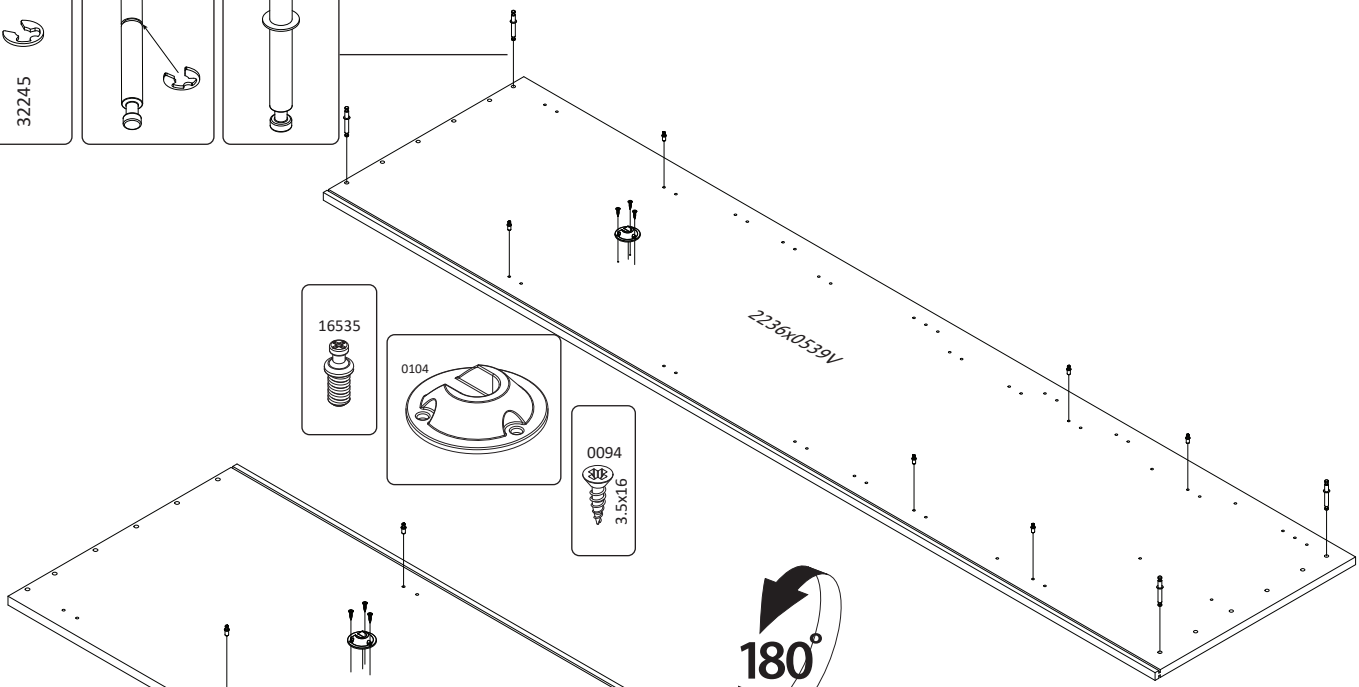
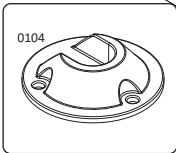
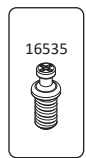
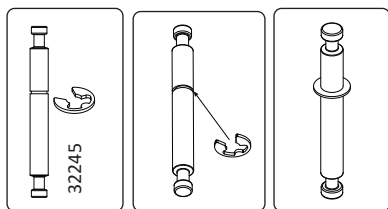
PK231/GL
 LWH - 2294x611x2236

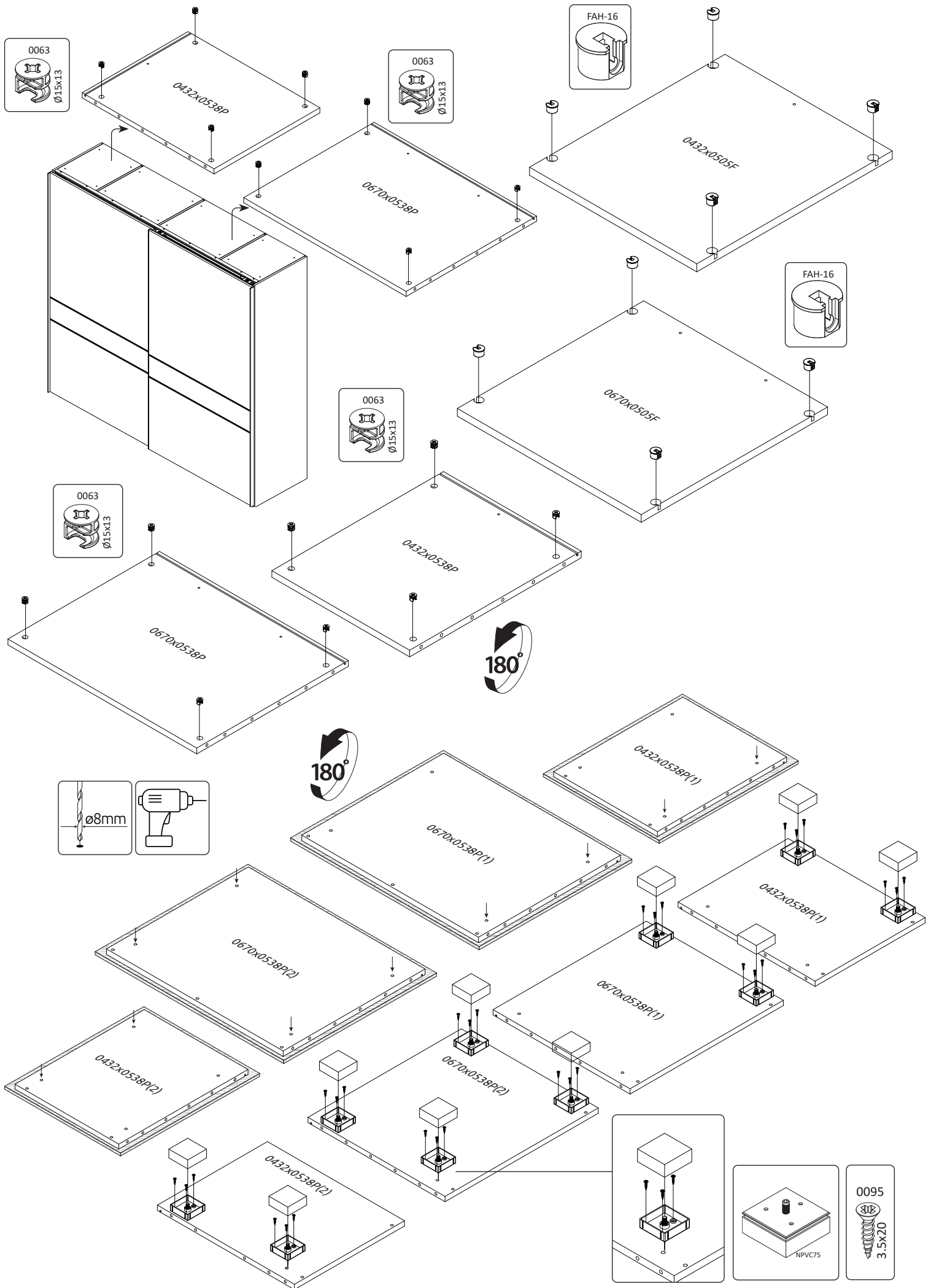


x42 2149 	x32 0063 Ø15x13 	x8 0064 Ø8x24 	x48 16535 	x16 0102 	x32 EKSK4-BE 	x2 2114 4x35 	x90 0094 3.5x16 	x68 31777 4.2x16 	x13 0096 4x18
x2 1321 	x4 31533 	x2 36918 	x2 26102 	x1 46945 	x1 46948 	x1 0113 GLUE 			
x2 32286 	x1 46950 		x10 NPVC75 		x1 46953 				
x28 CEP8 	x48 FAH-16 	x50 0122 	x12 32245 						
x8 0104 	x2 10397 								
x42 36894 									

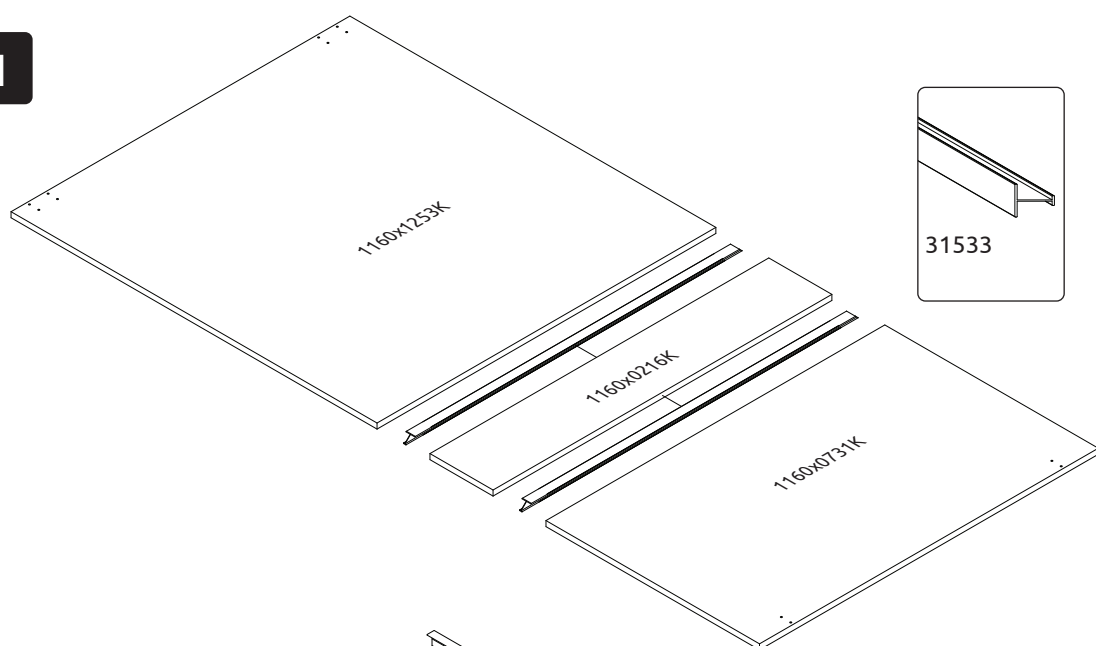




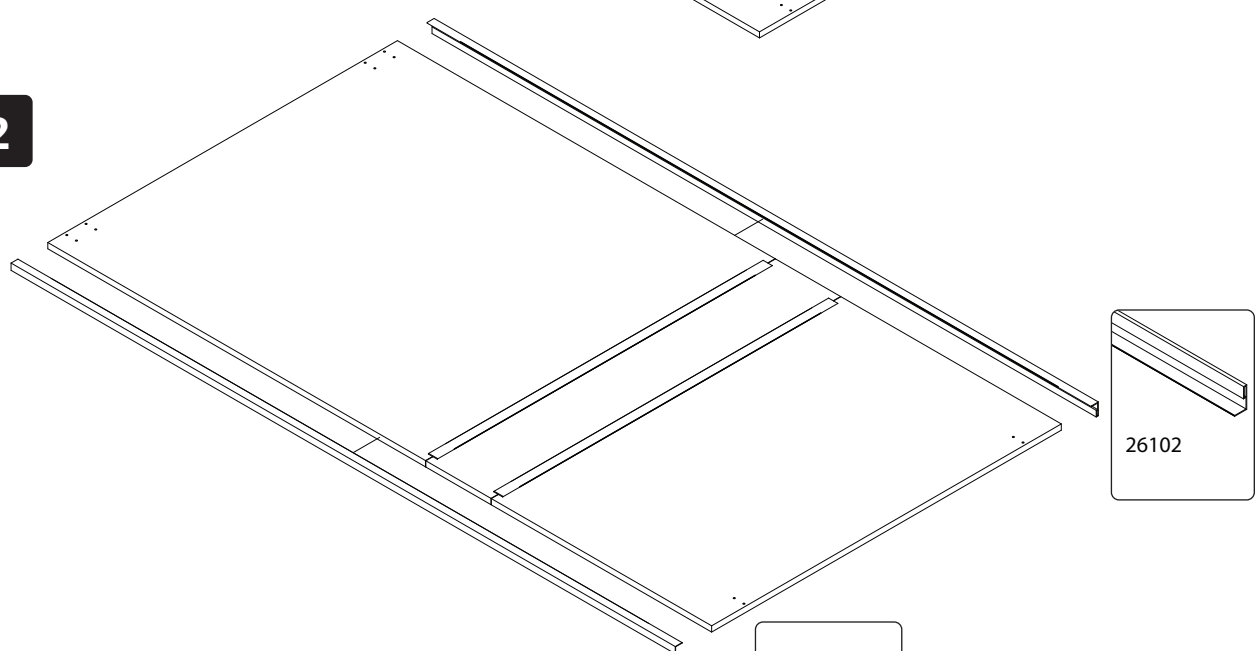




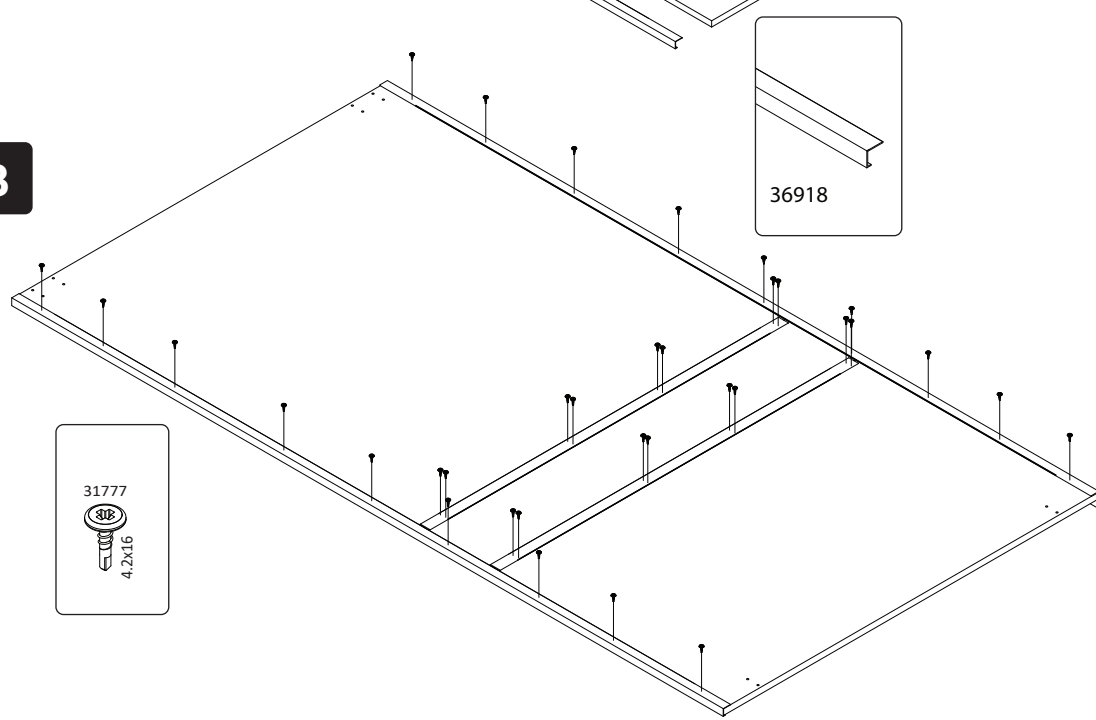
1



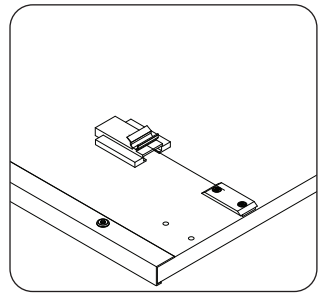
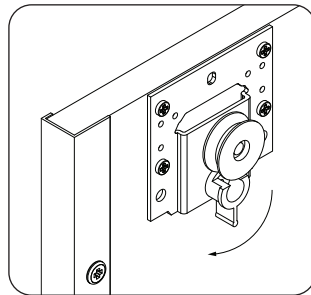
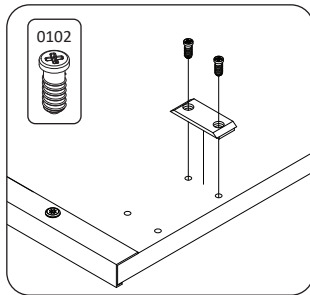
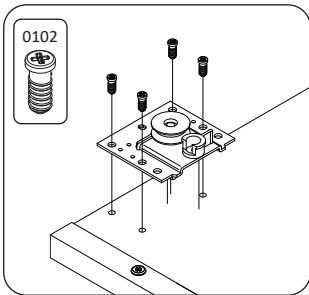
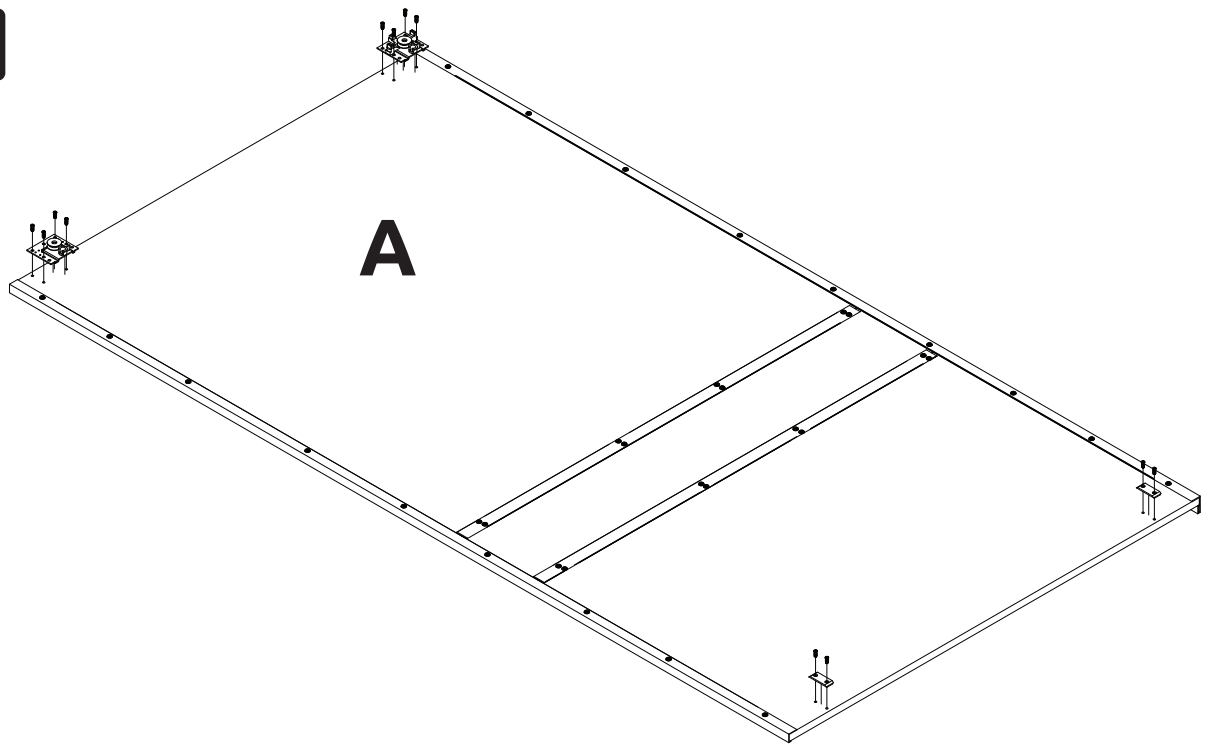
2



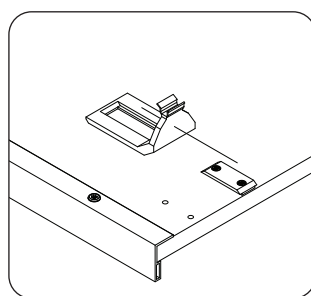
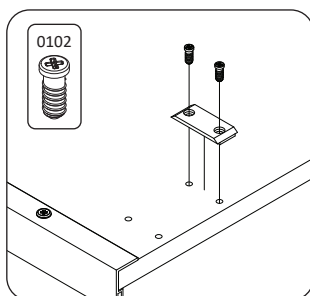
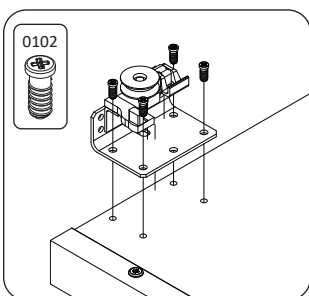
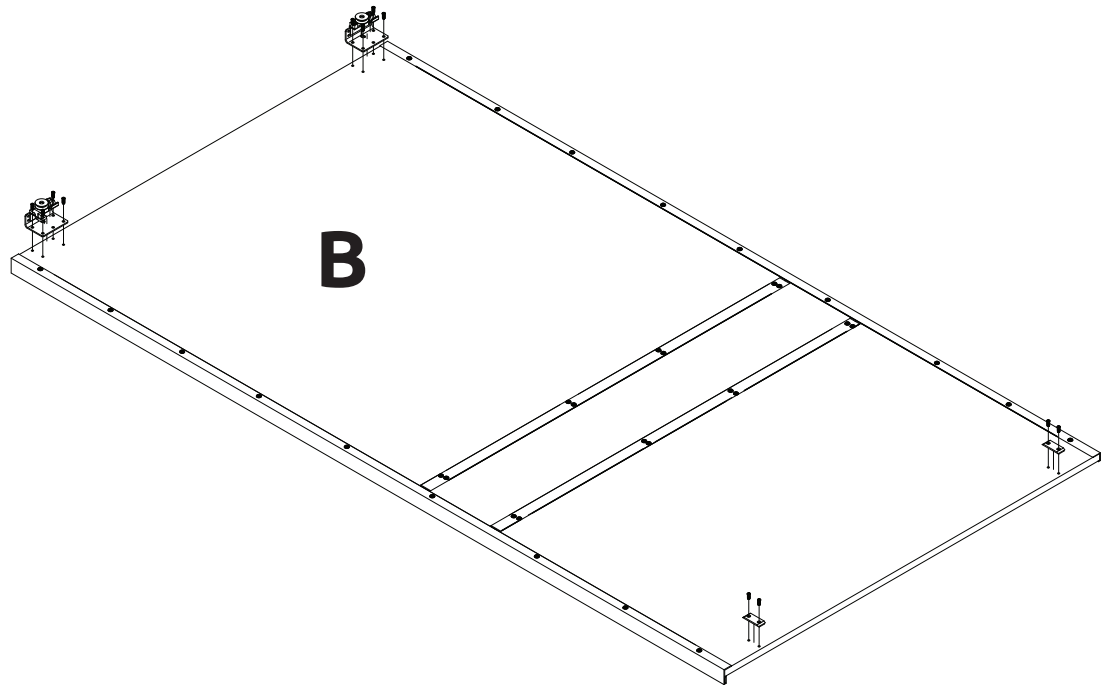
3



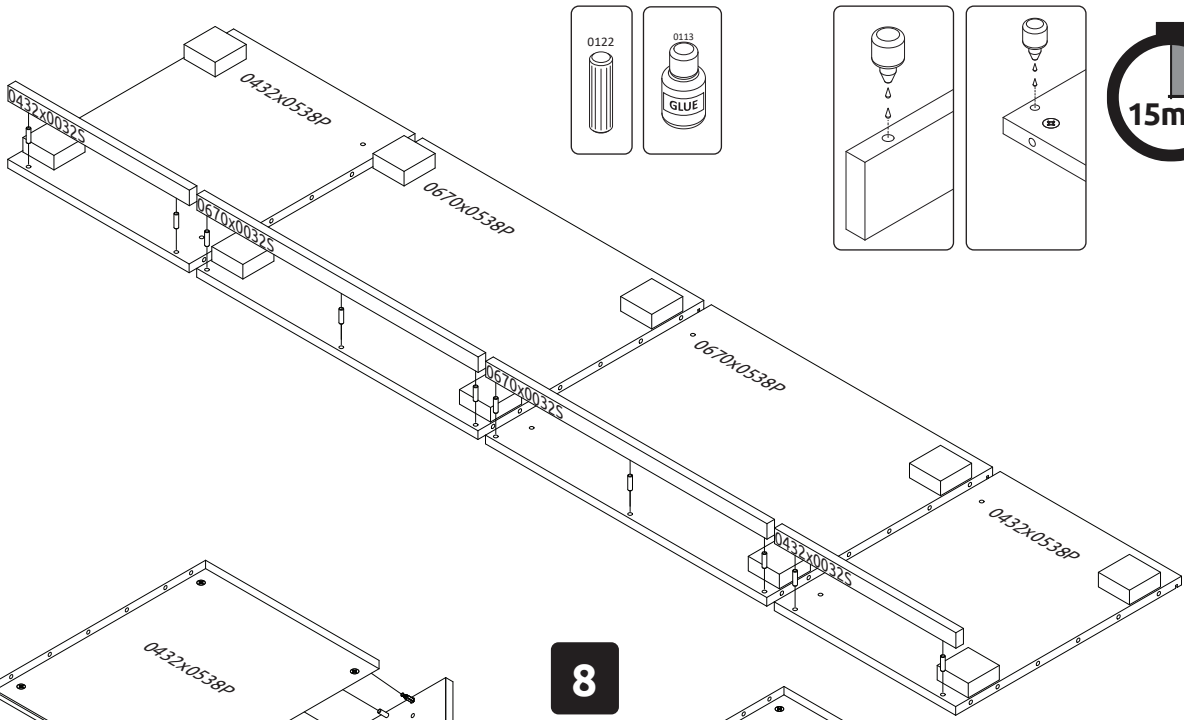
4



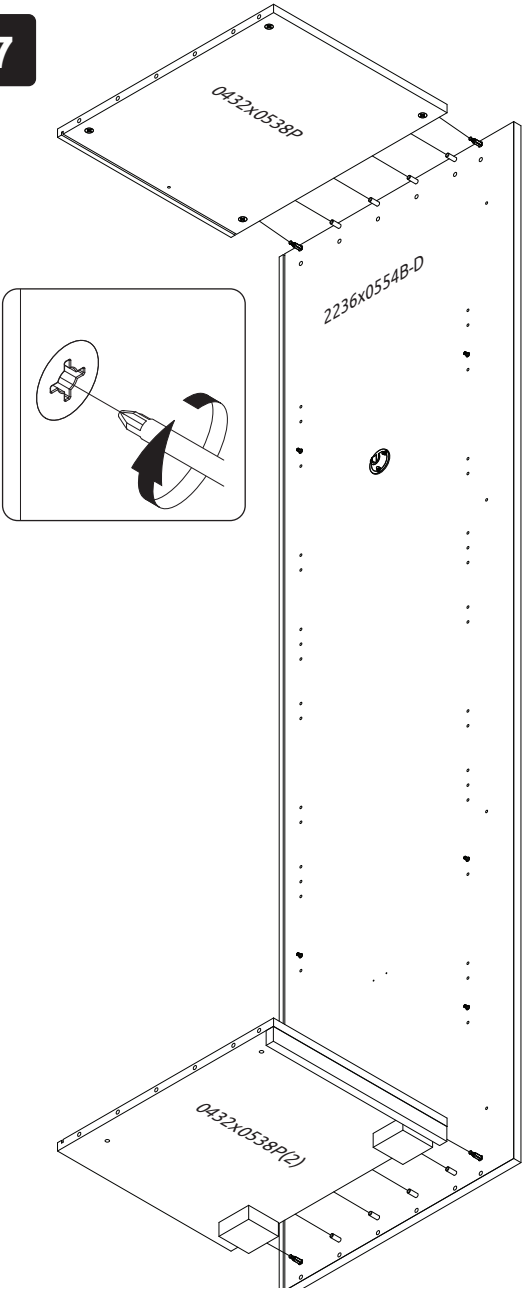
5



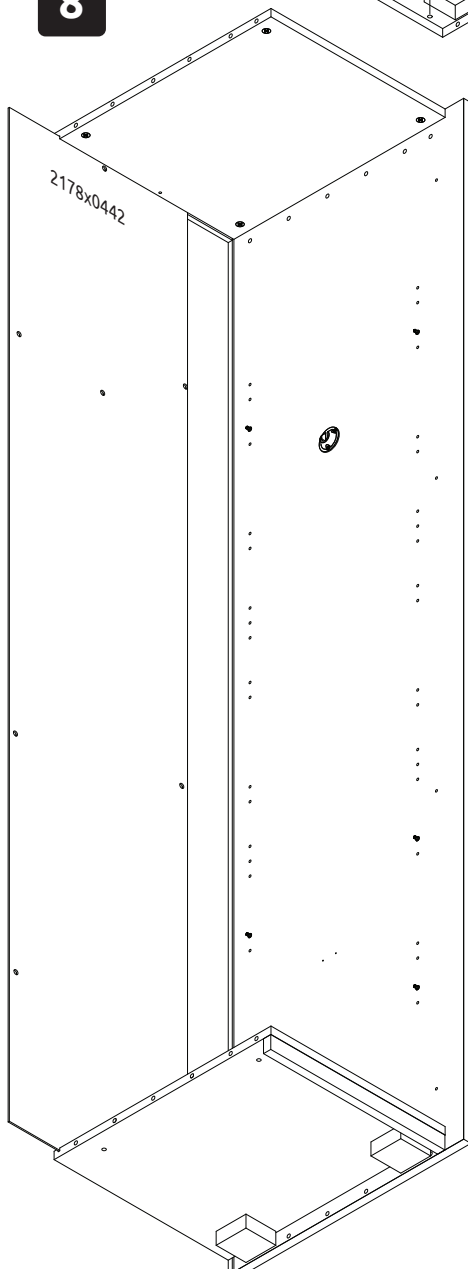
6



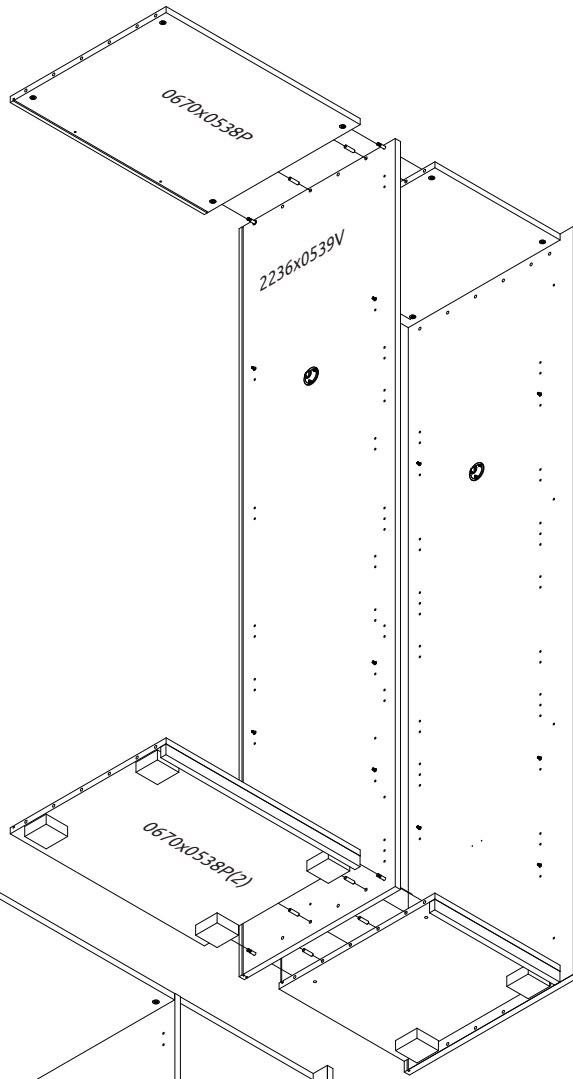
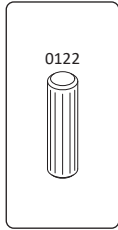
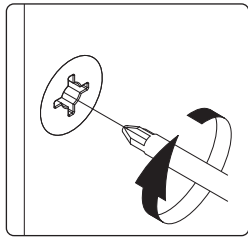
7



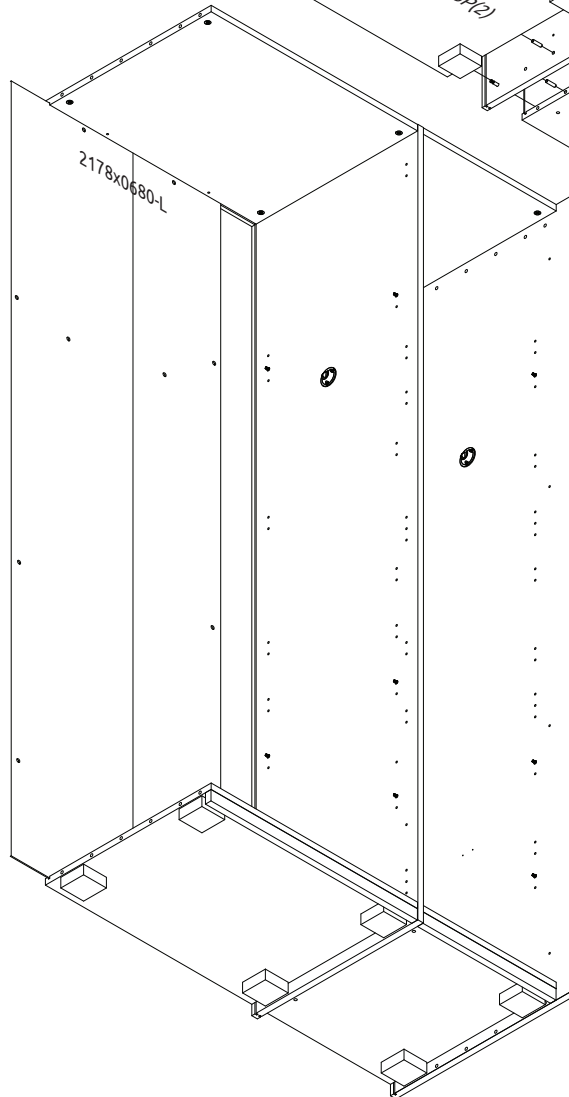
8



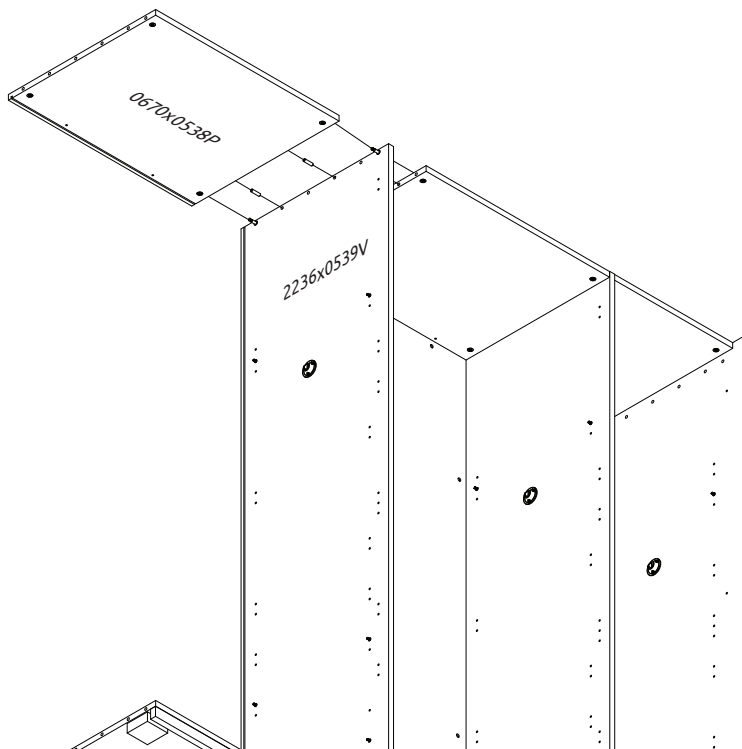
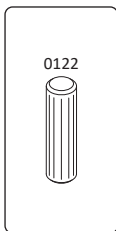
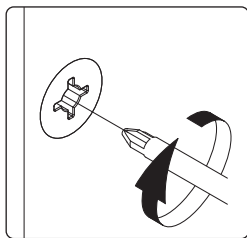
9



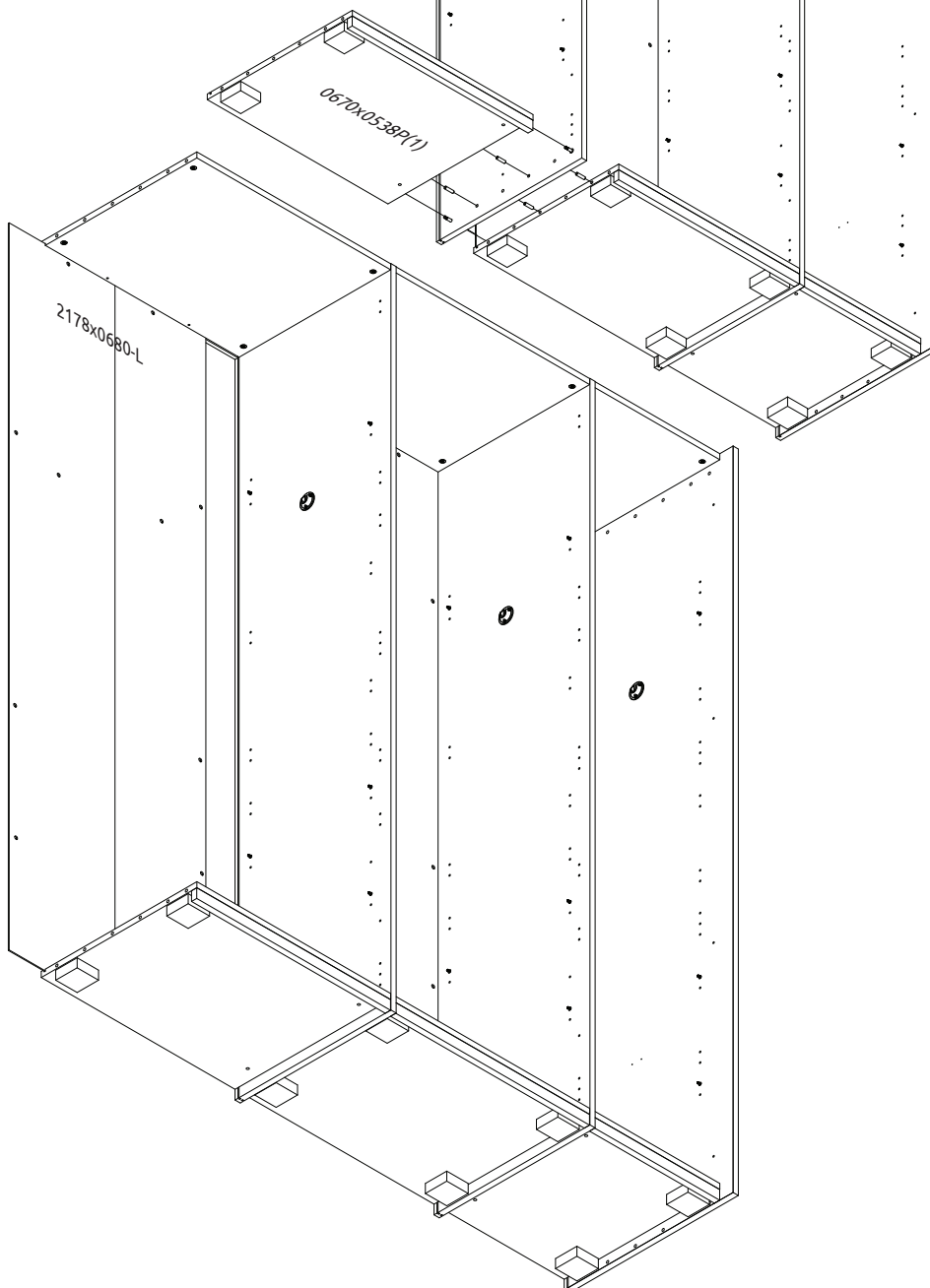
10



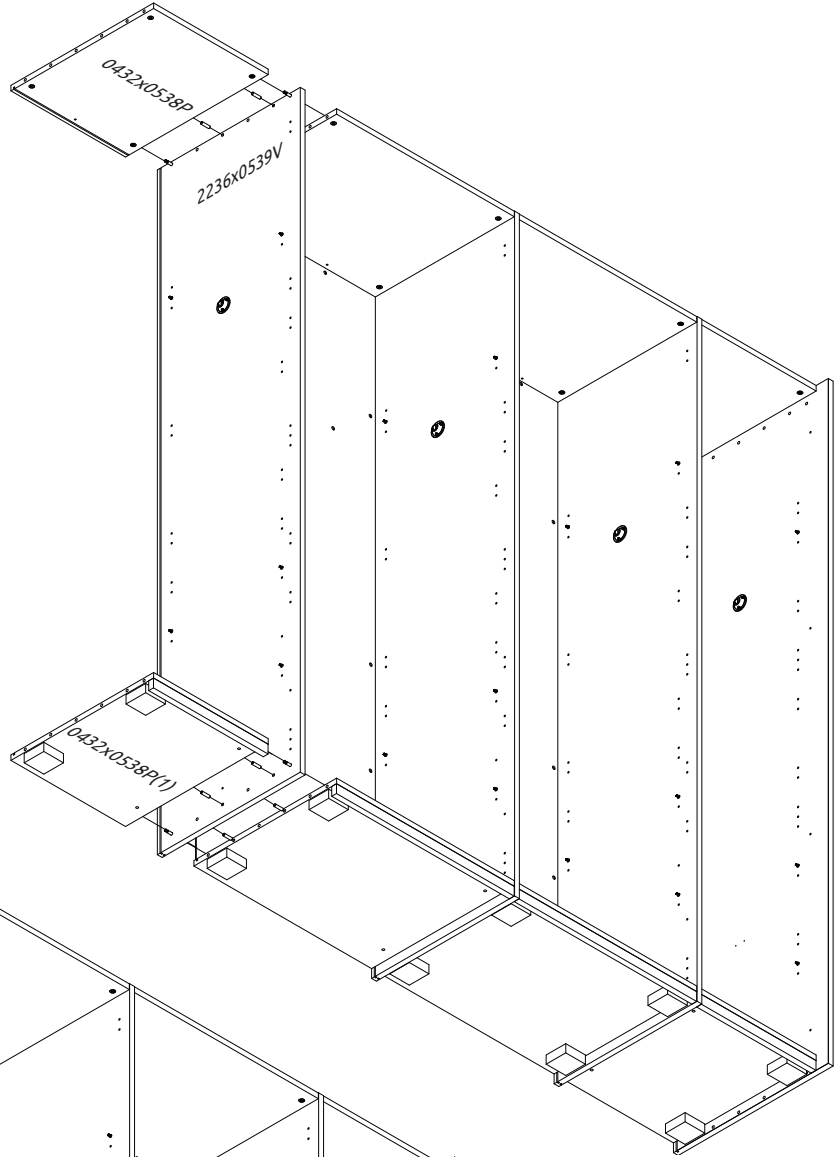
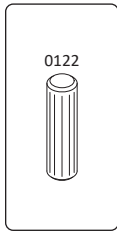
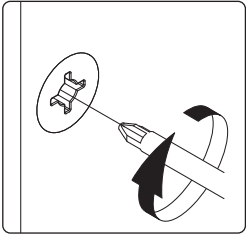
11



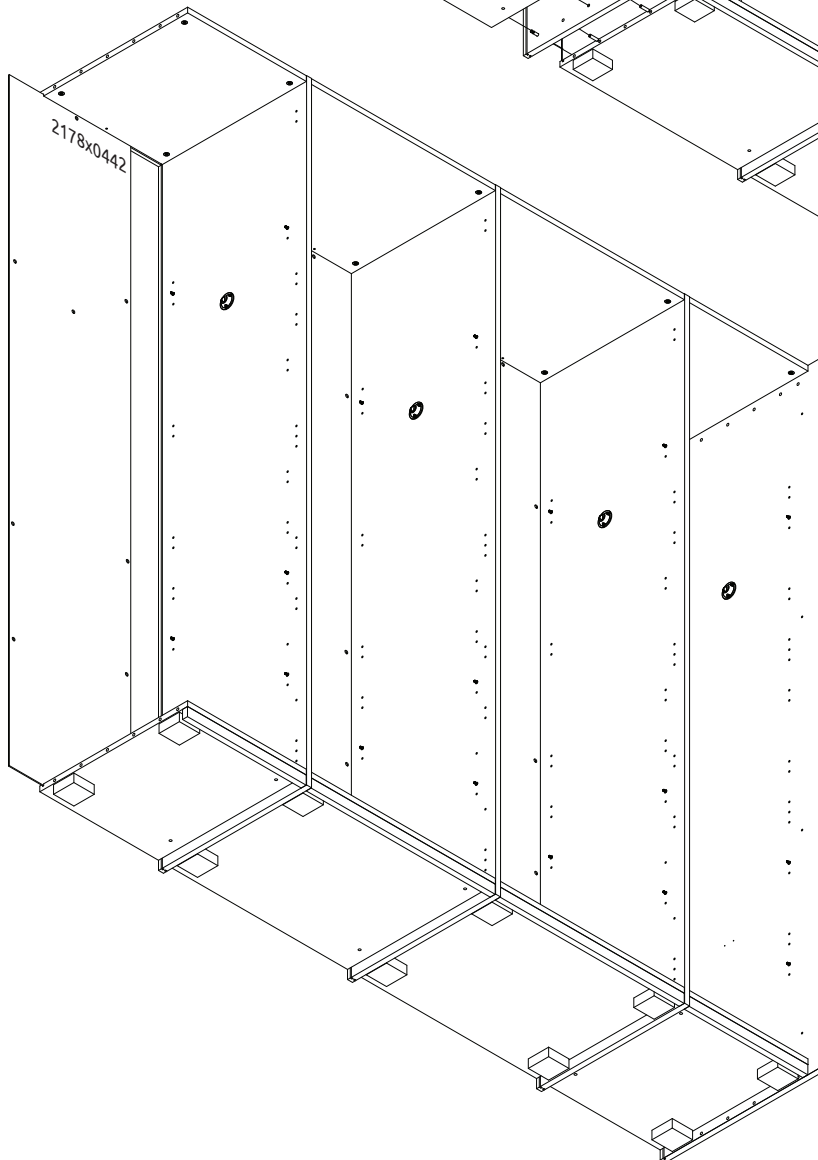
12



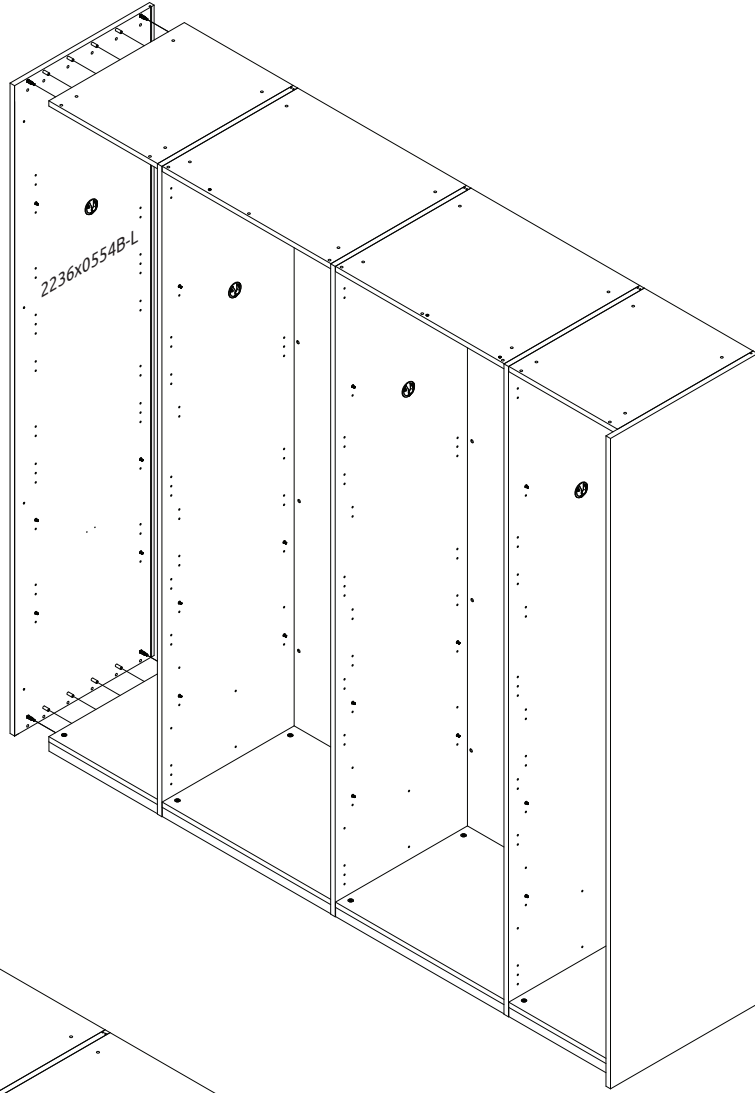
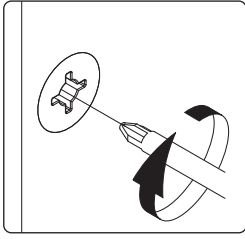
13



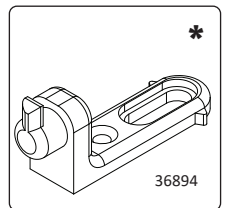
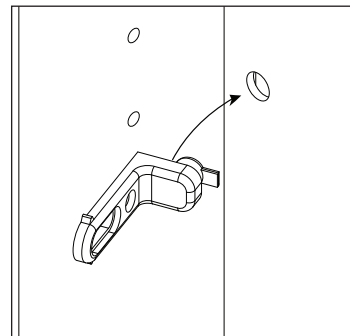
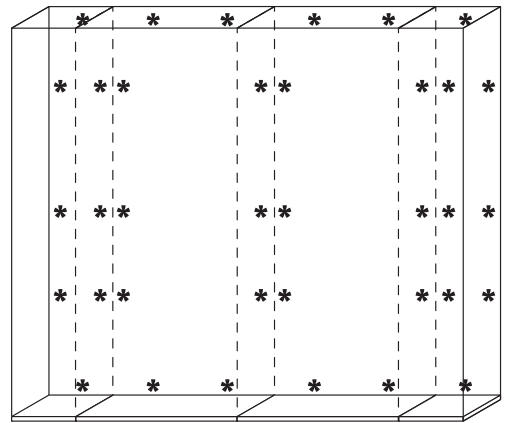
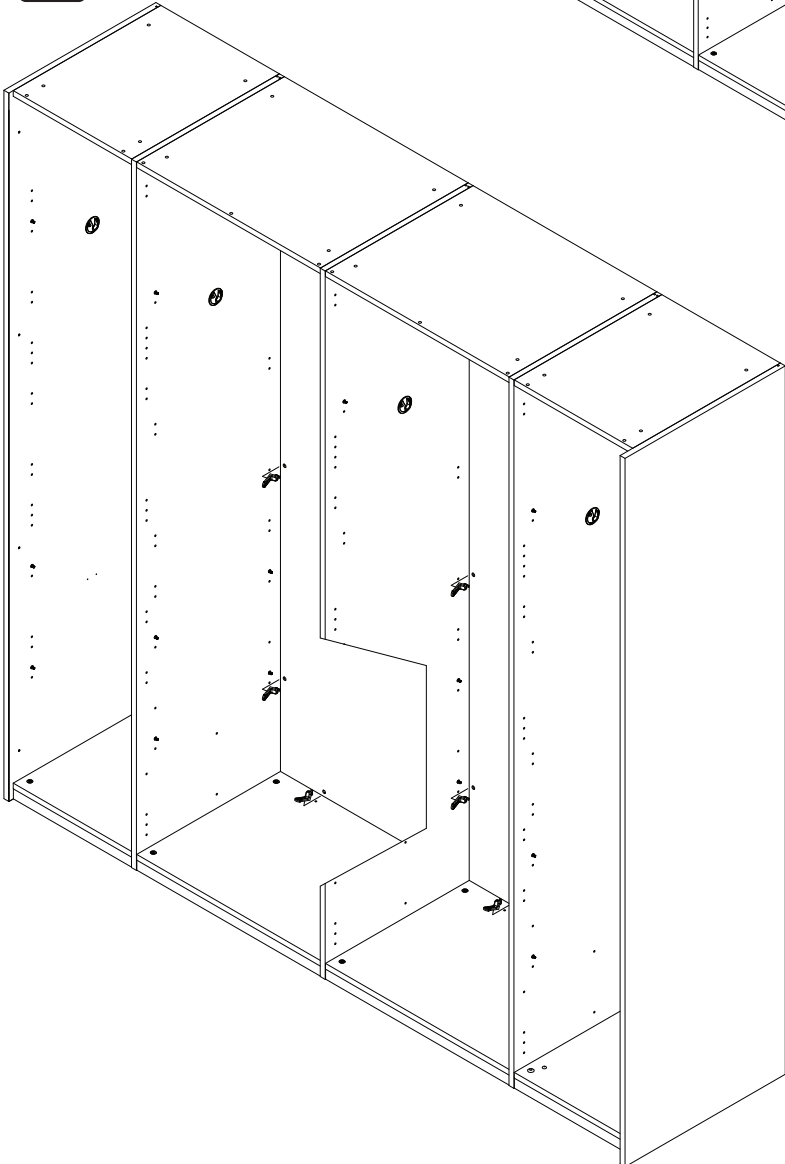
14



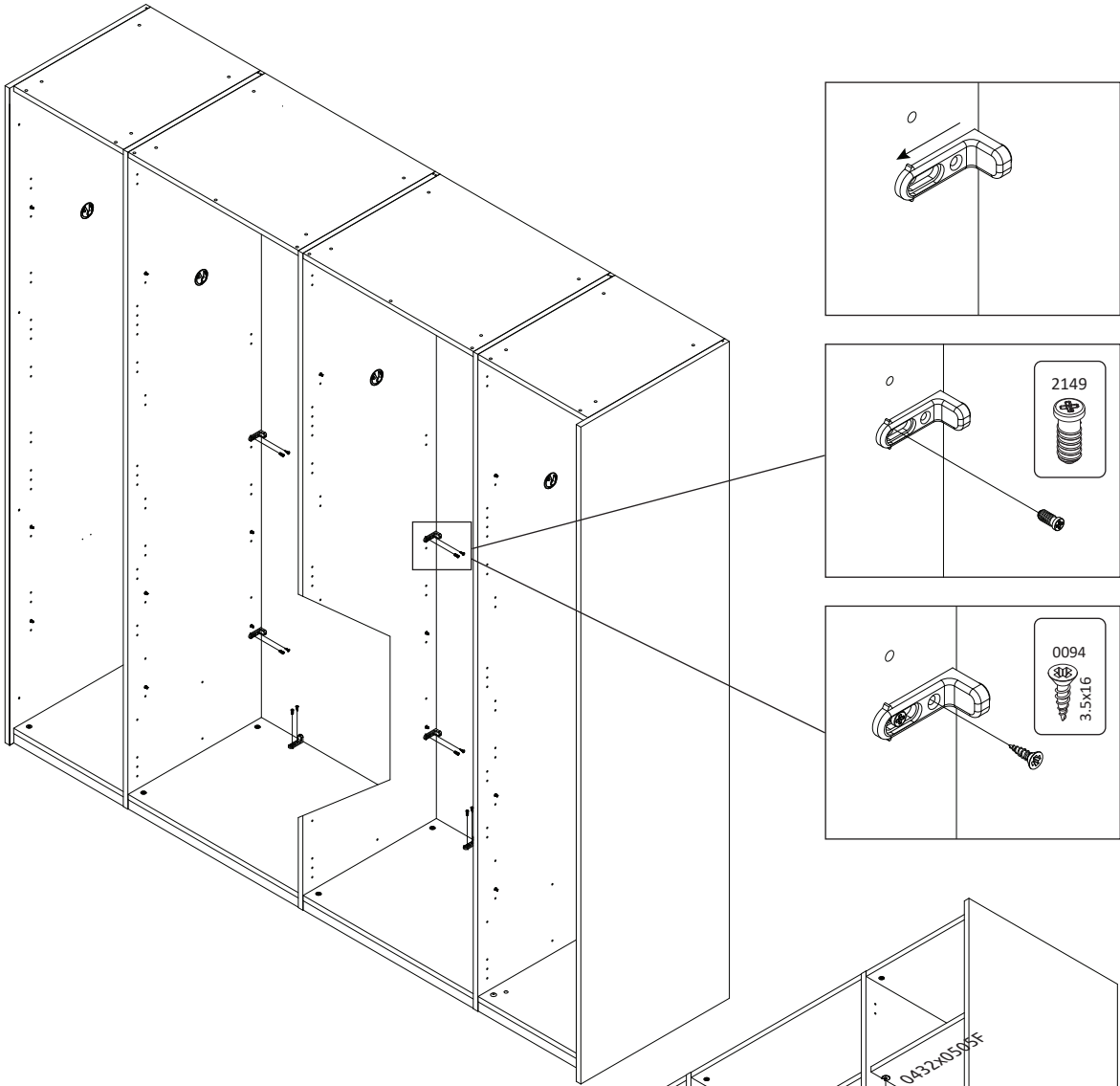
15



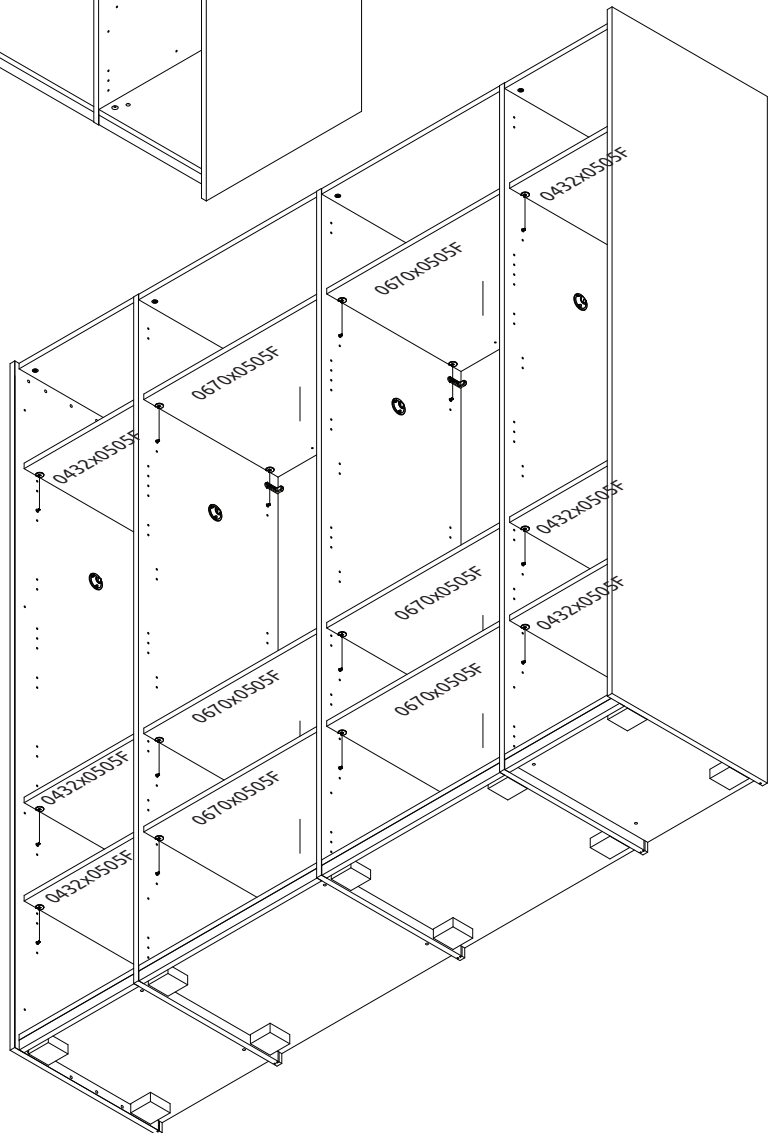
16



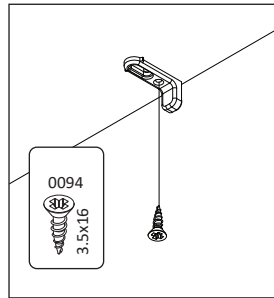
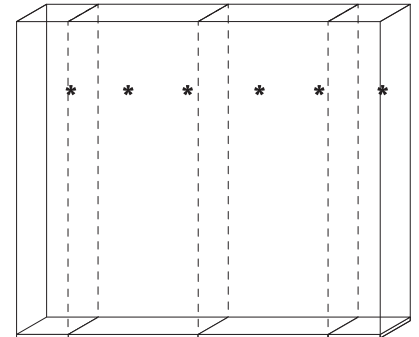
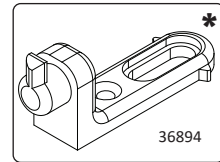
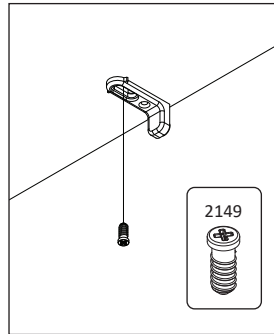
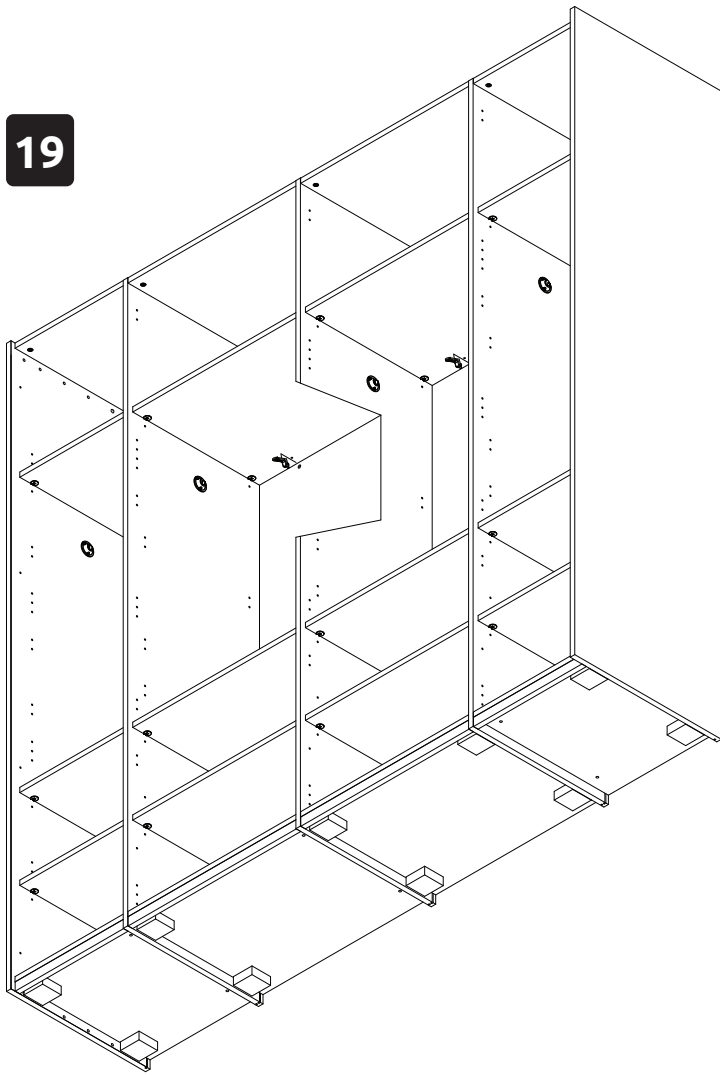
17



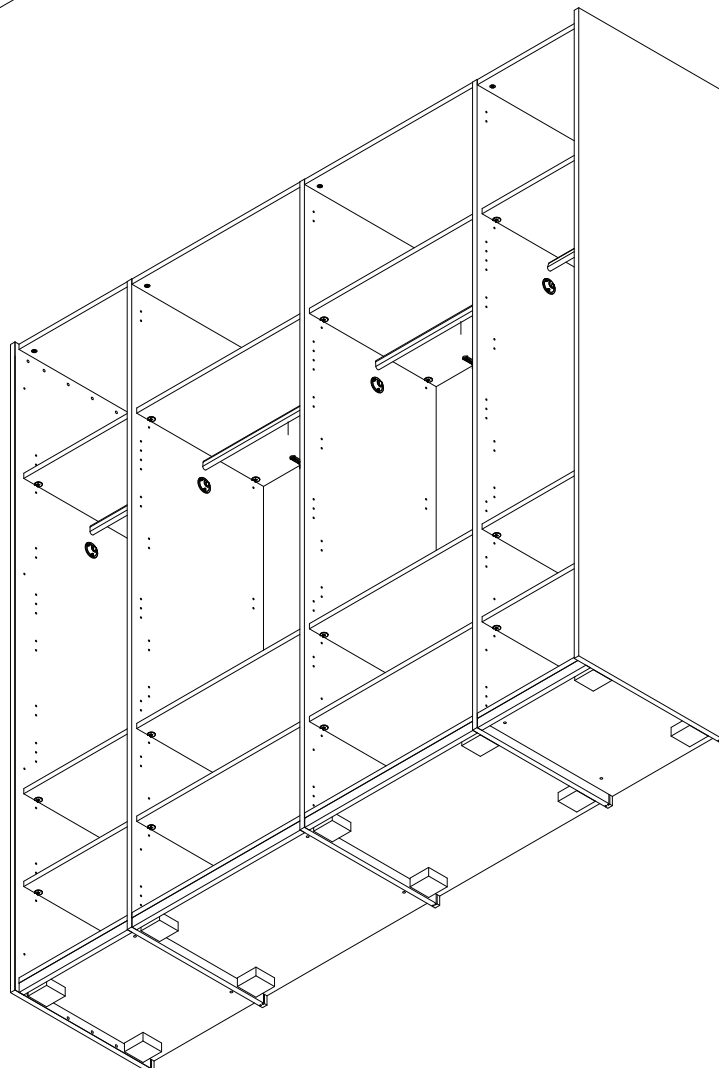
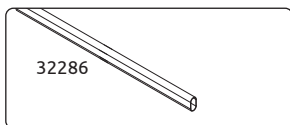
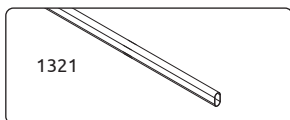
18



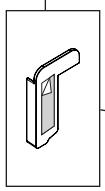
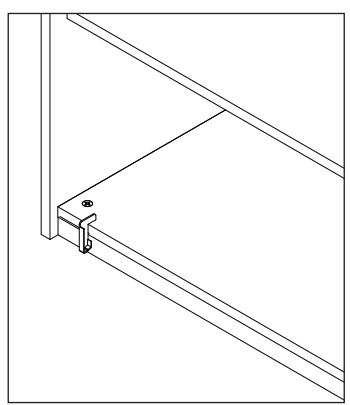
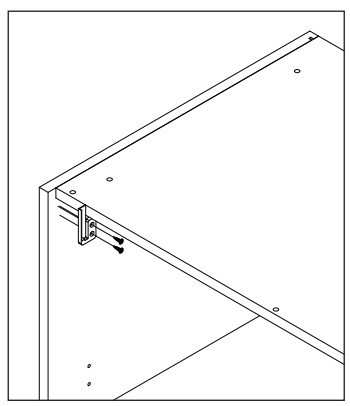
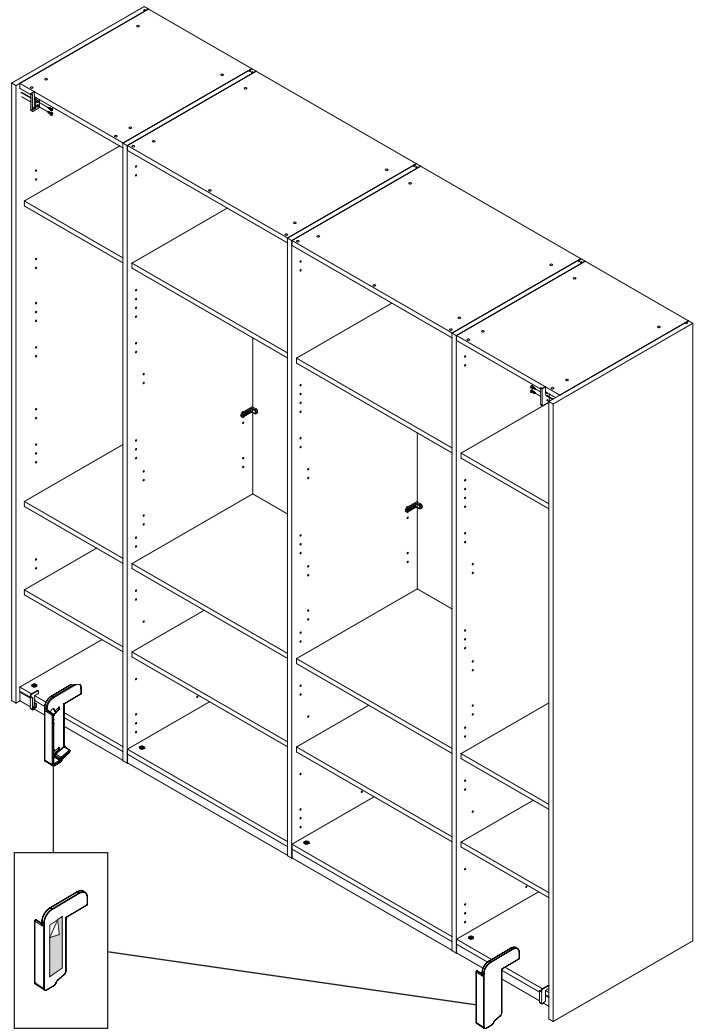
19



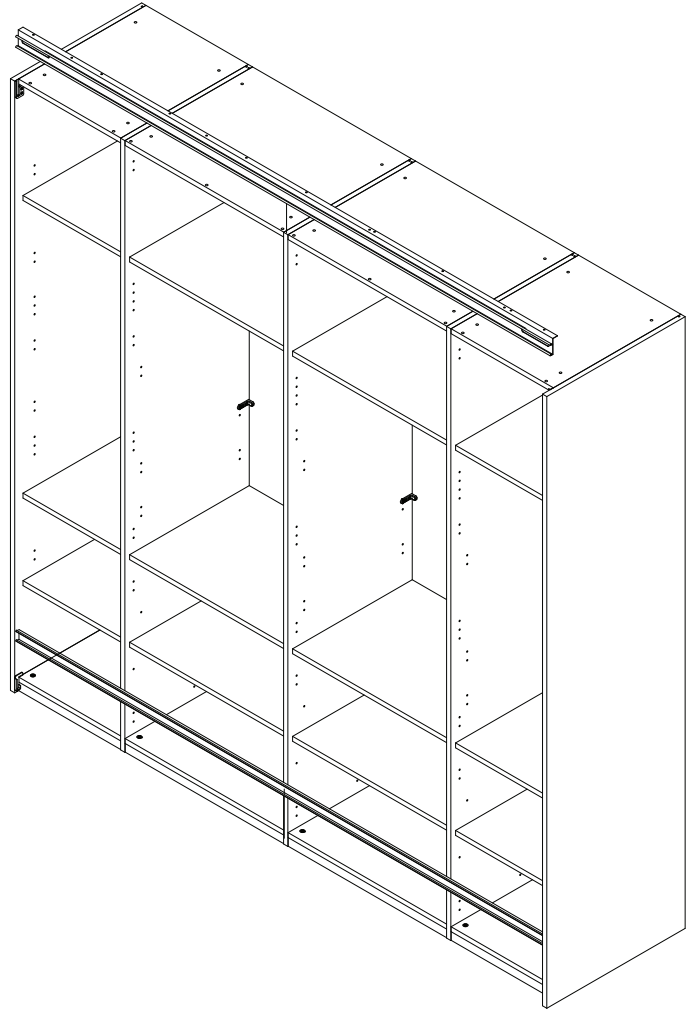
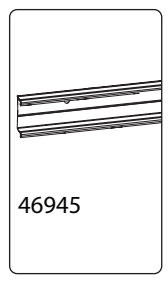
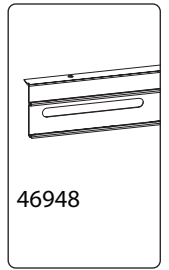
20



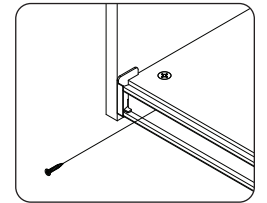
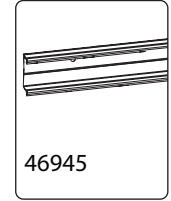
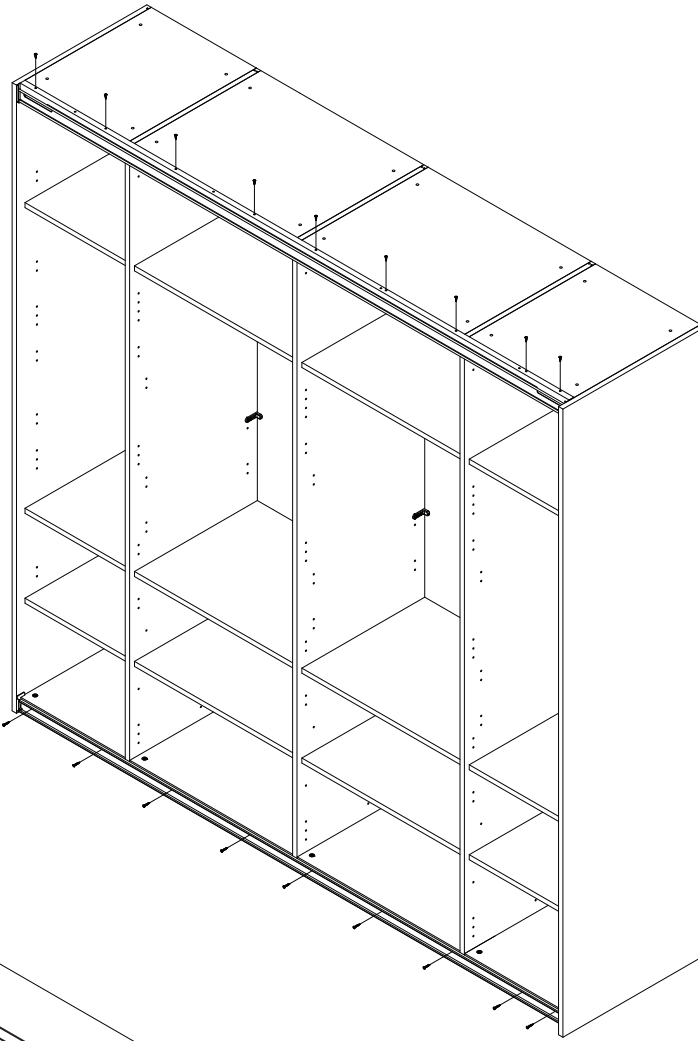
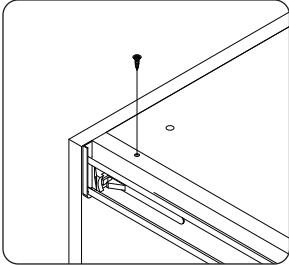
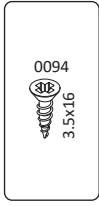
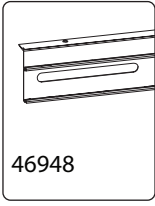
21



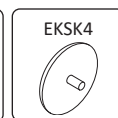
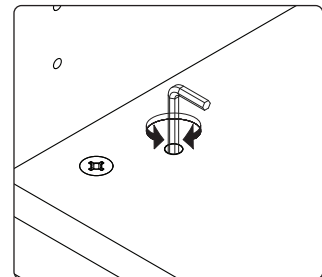
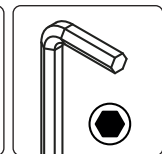
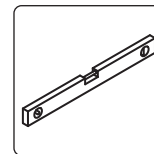
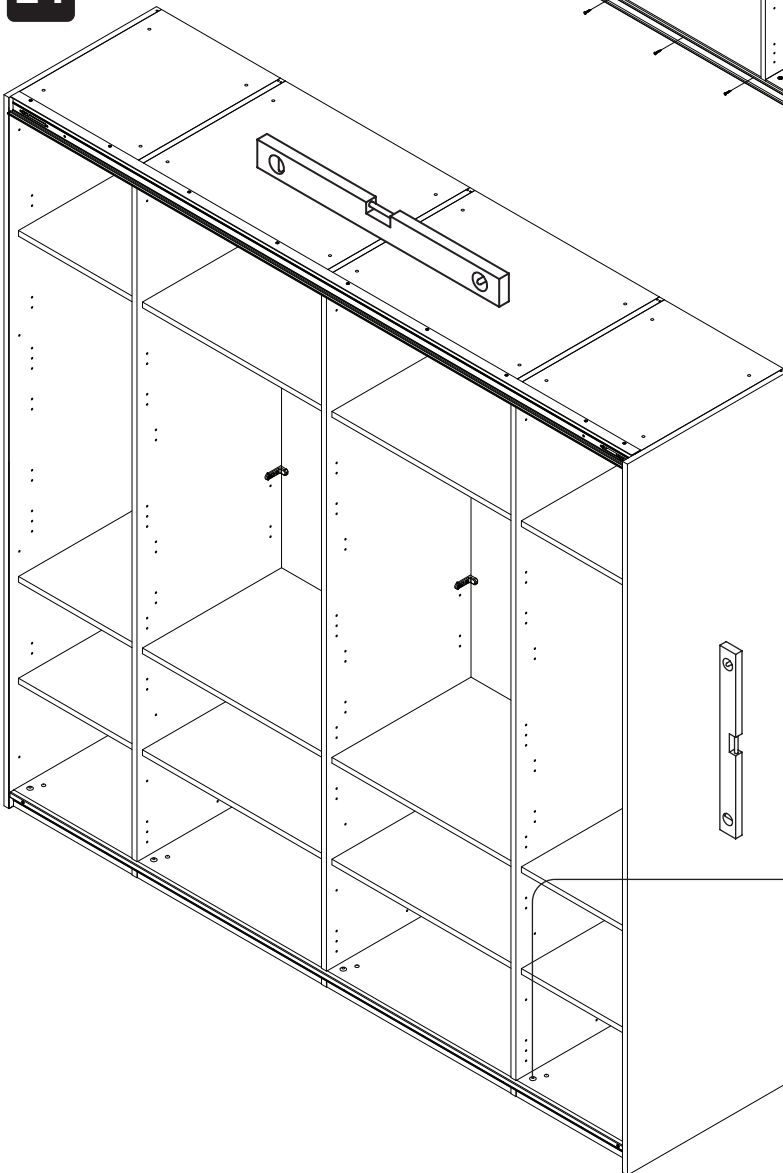
22



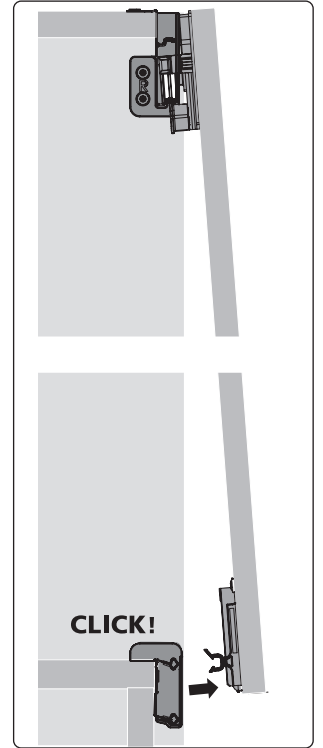
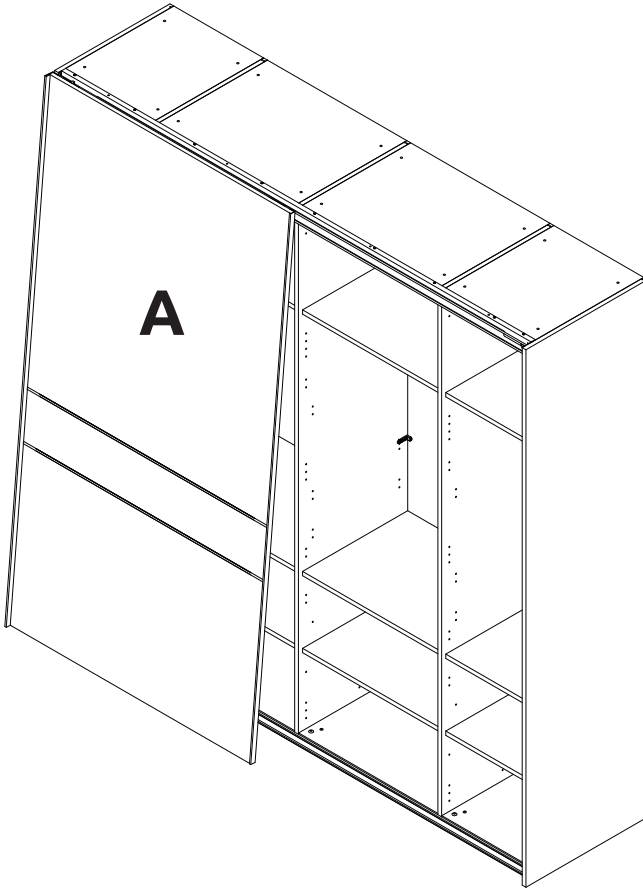
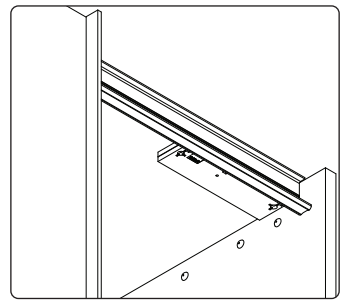
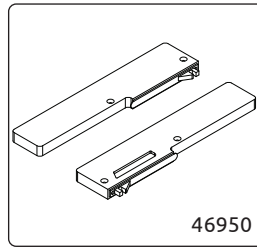
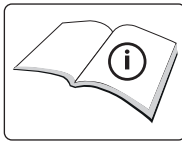
23



24



25



26

