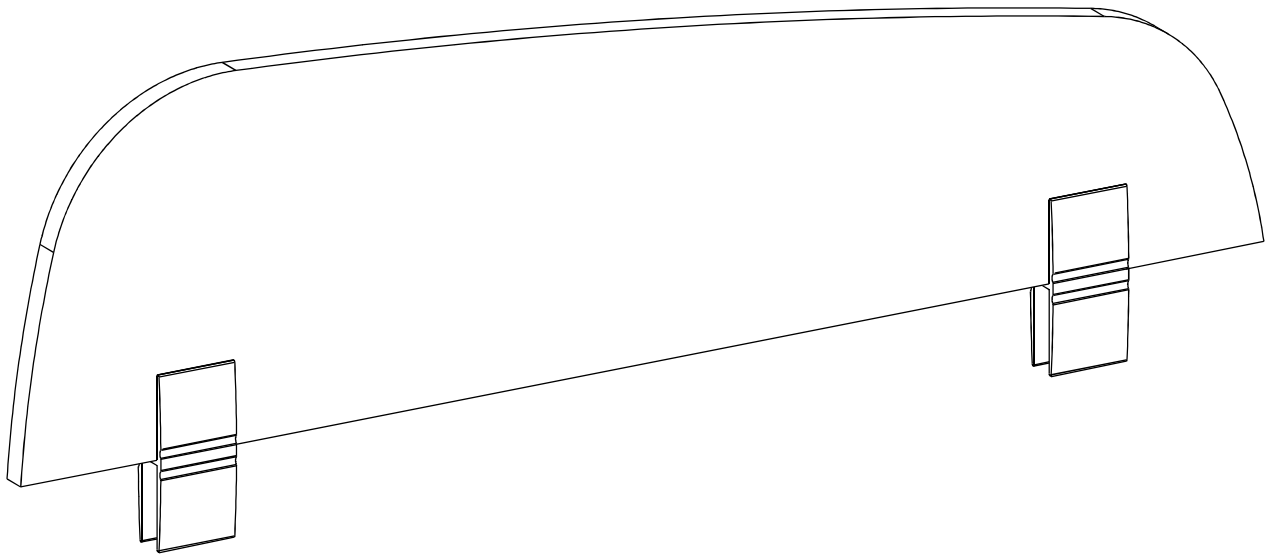
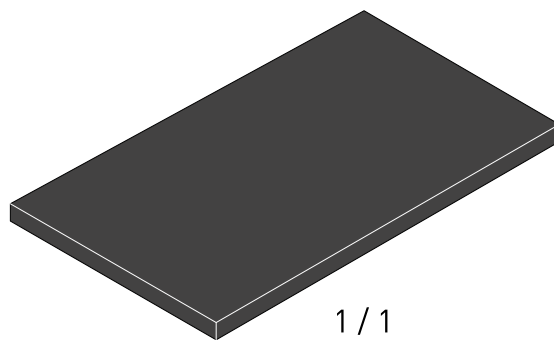
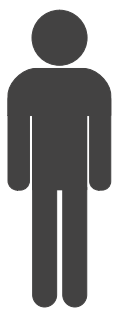


20.73.1702.00

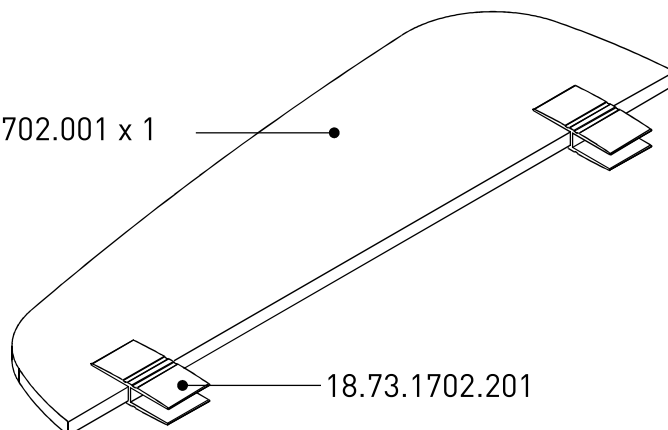




1 / 1

1 / 1

18.73.1702.001 x 1



18.73.1702.201

1

