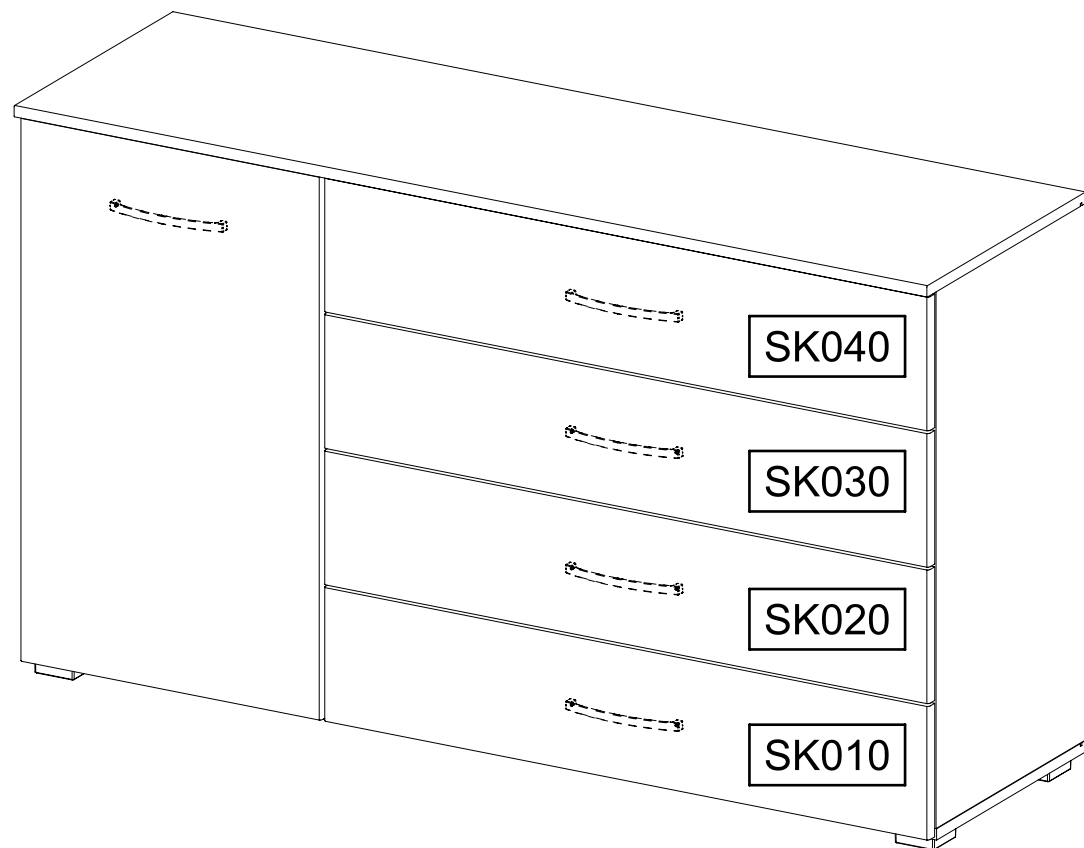
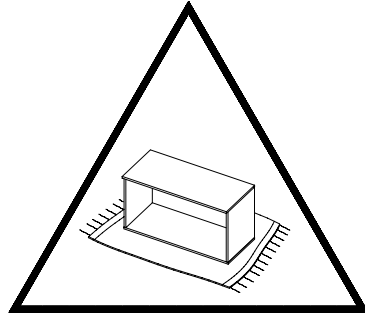
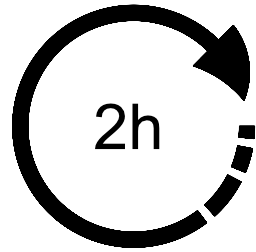
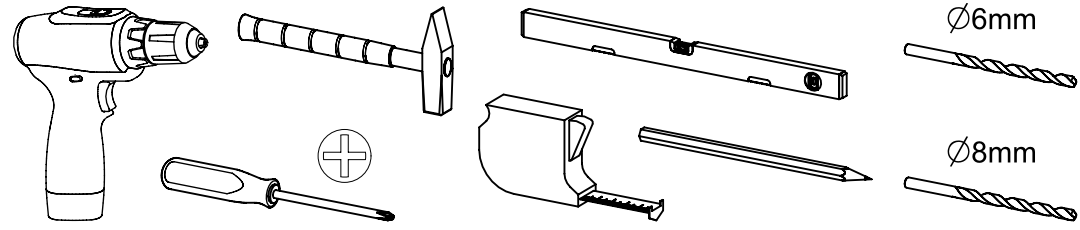


M2615\_01

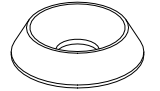
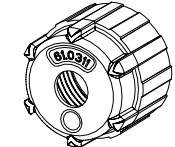
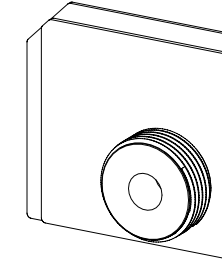
rauch



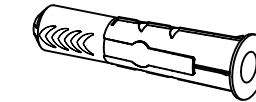
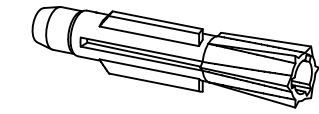
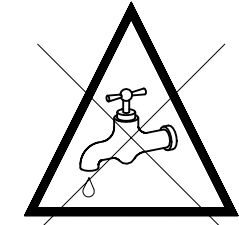
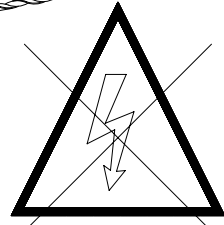
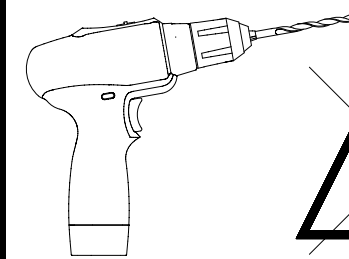
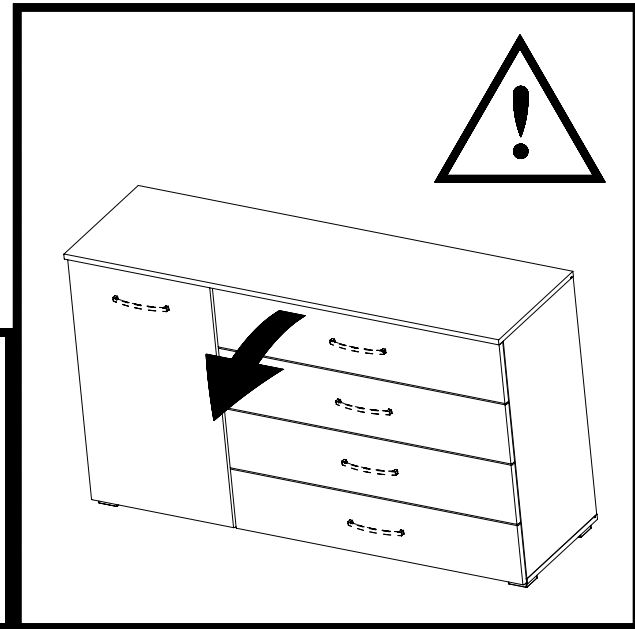
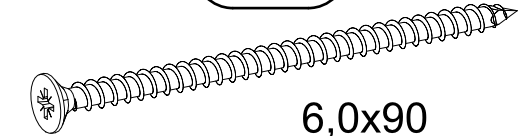
1091

1092

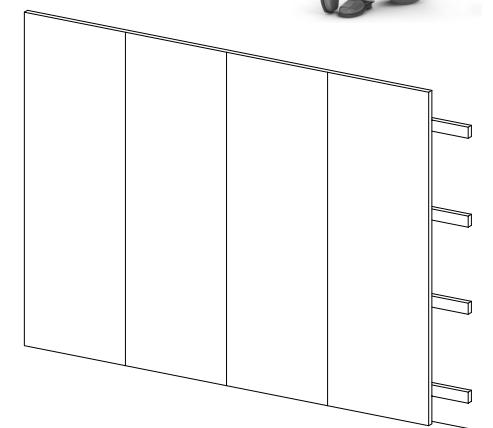
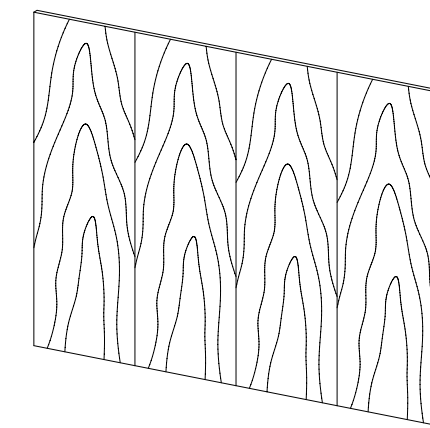
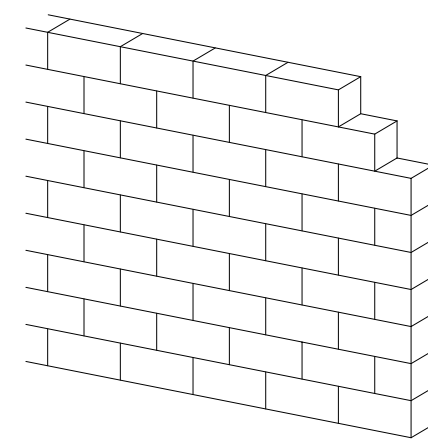
1093

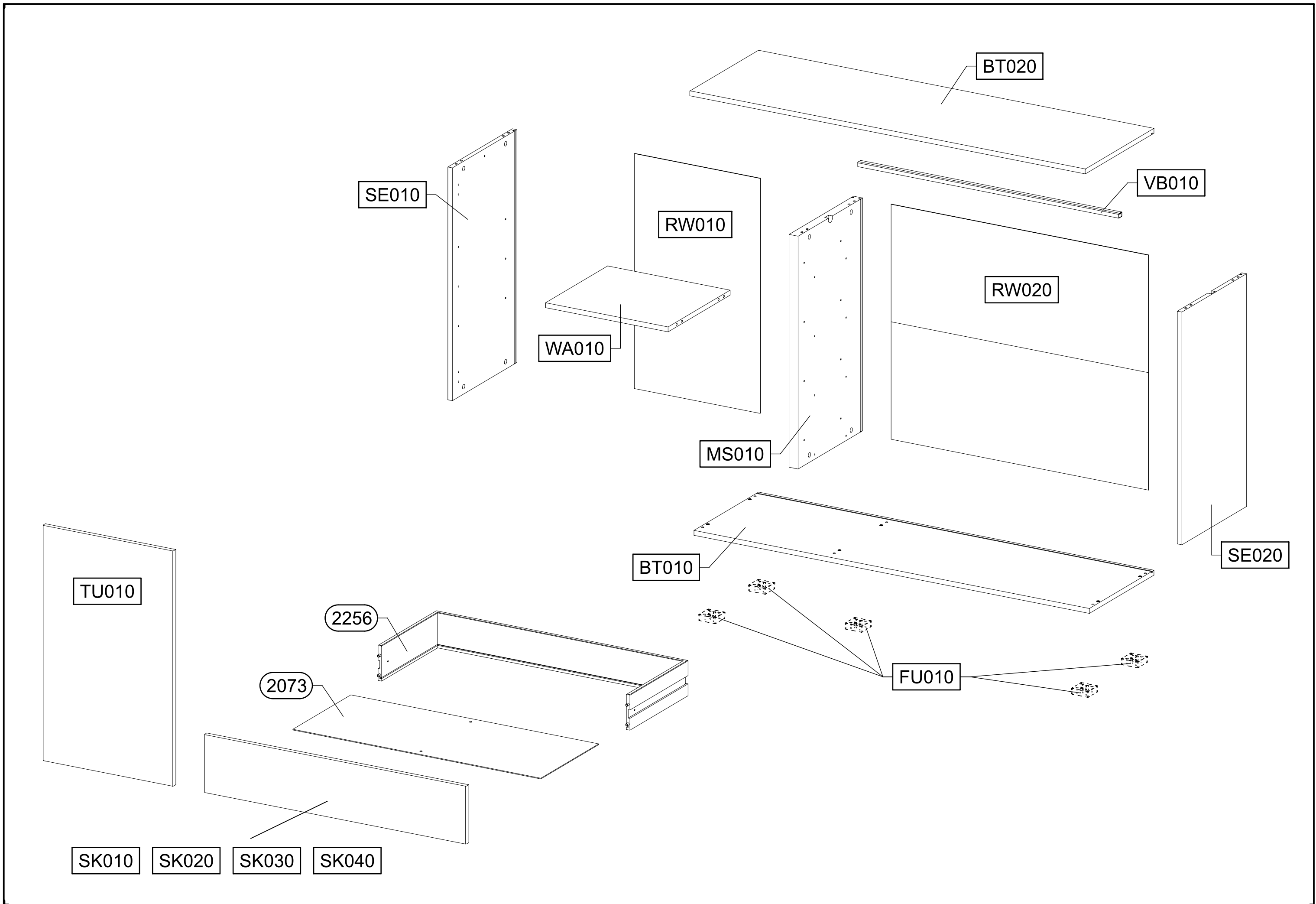


1147

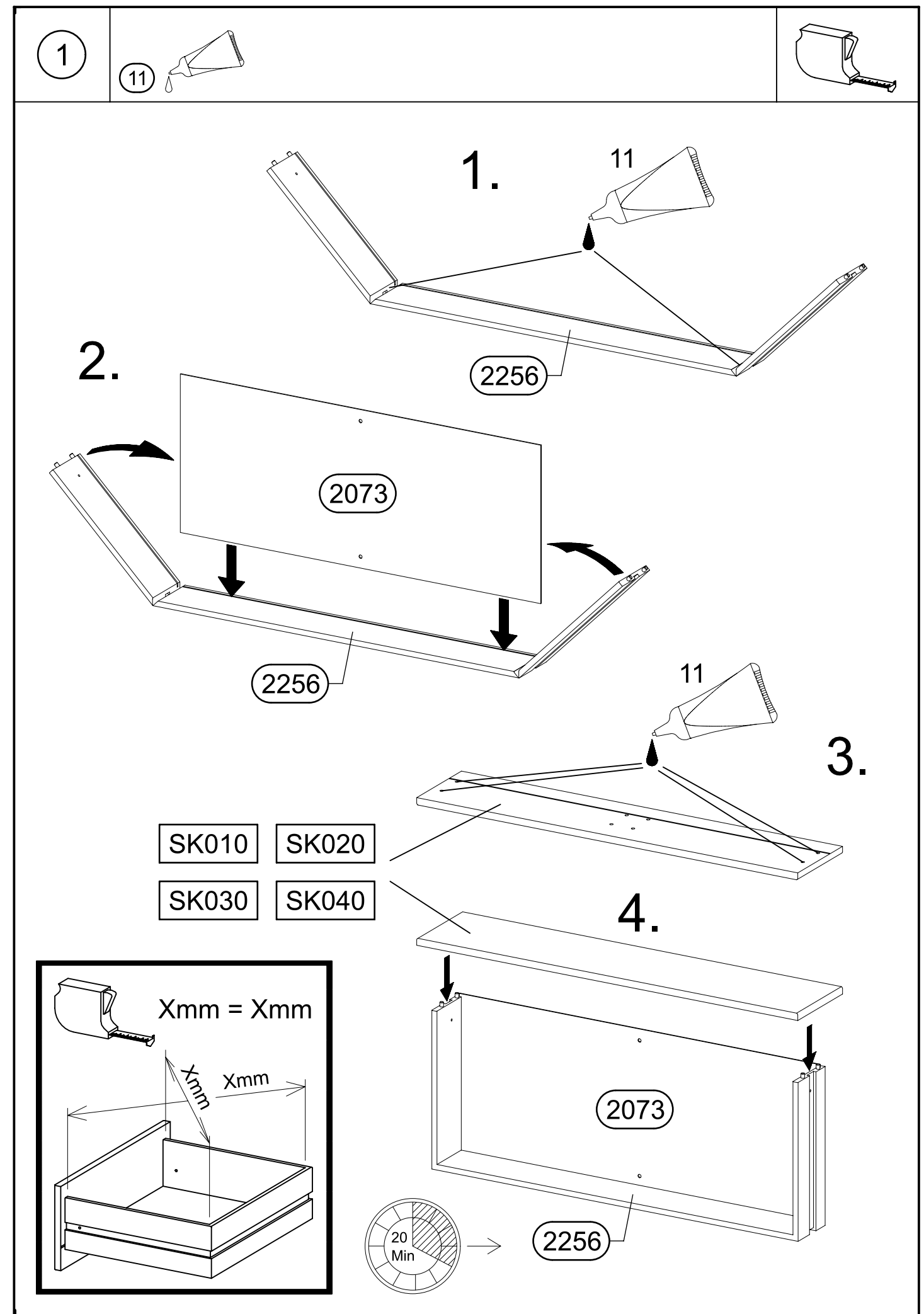


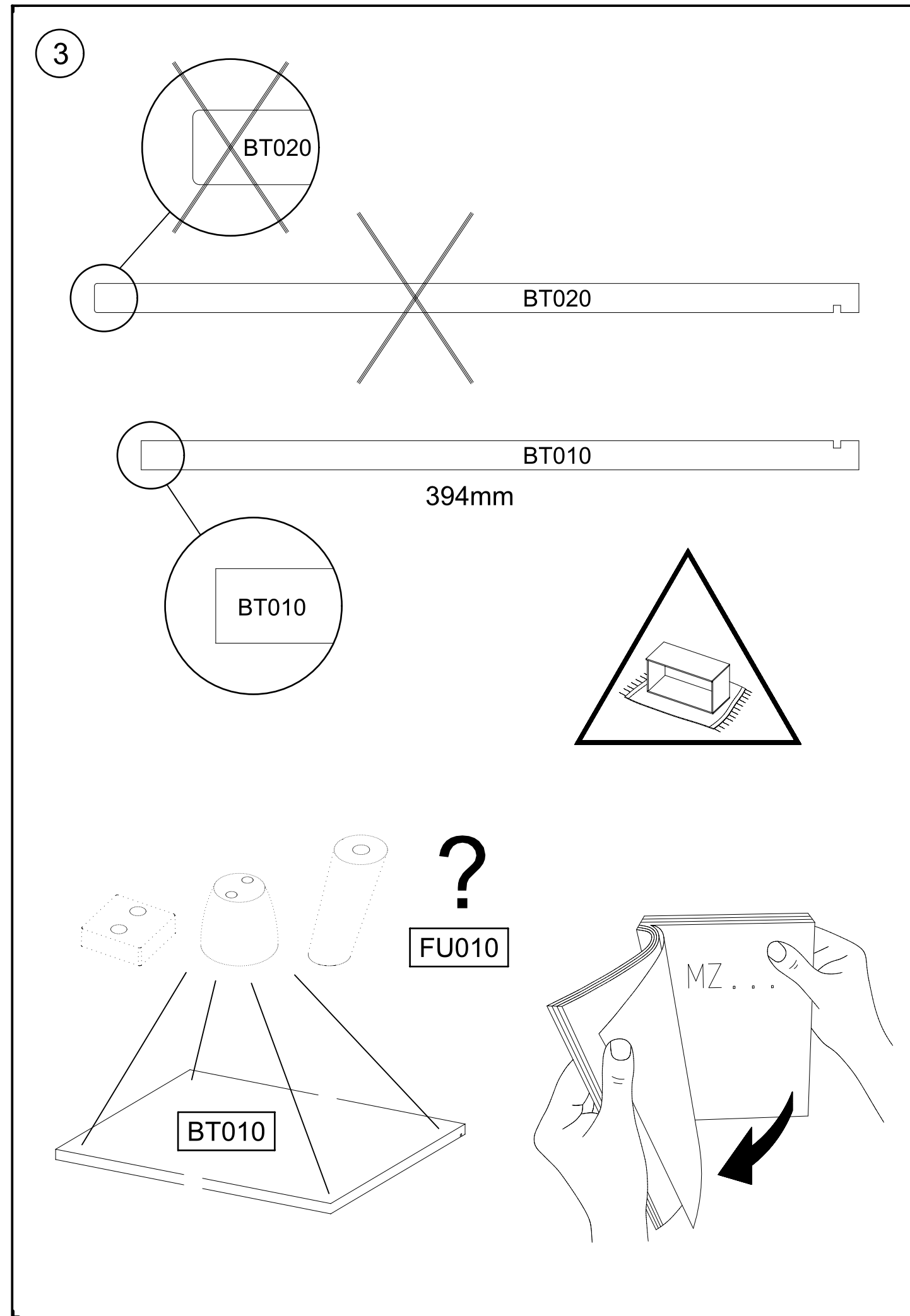
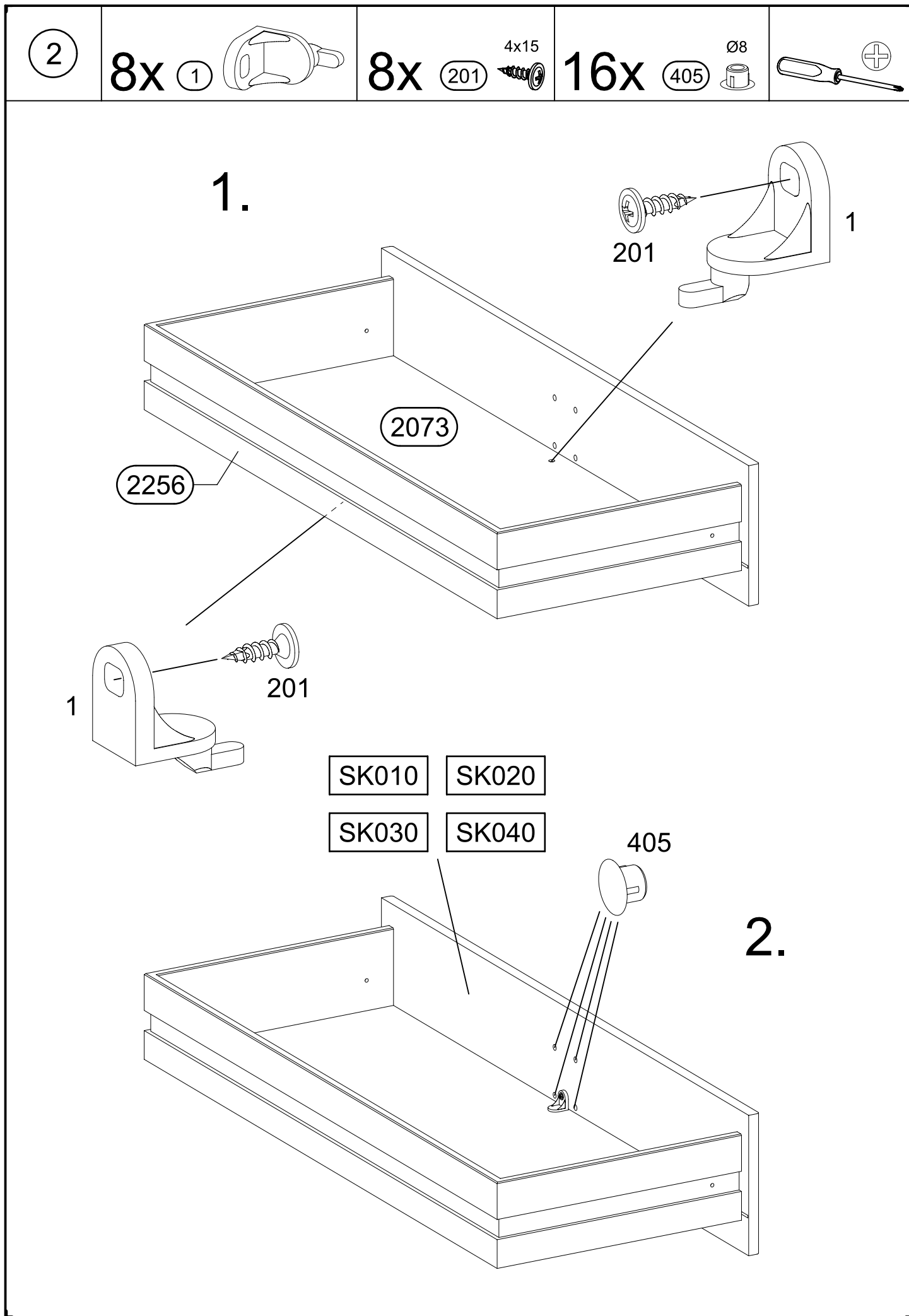
Ø8mm





8x 1 	11 	12x 8x30 18 	
2x 130 	8x 201 4x15 	16x 227 6x10,5 	
8x 259 342x27x9,5 	16x 405 Ø8 		
8x 568 M4x9 	8x 1000 		
32x 1002 3,5x20 	16x 1003 6x12 	8x 1090 	
4x 1105 	8x 1187 	12x 1188 	
12x 1189 			

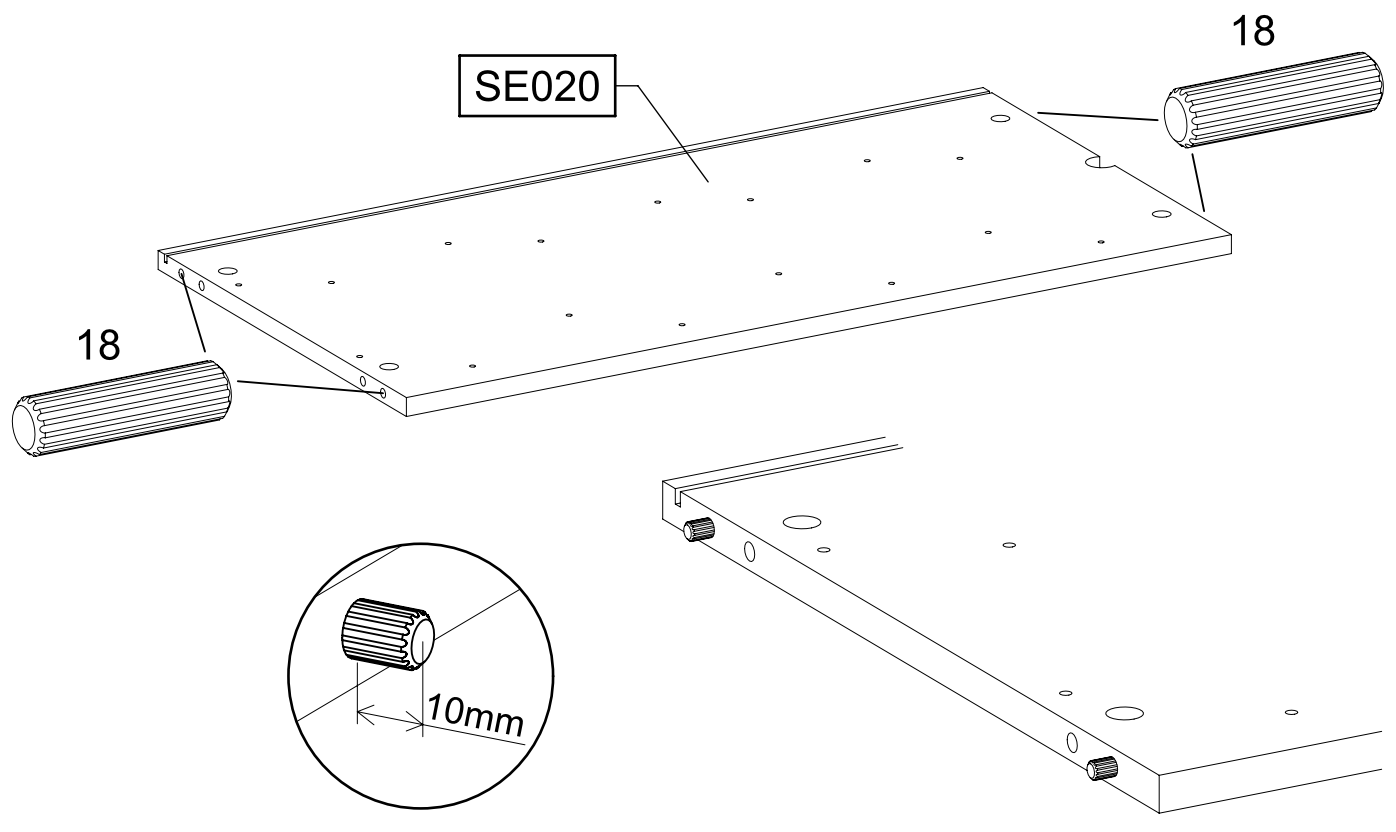
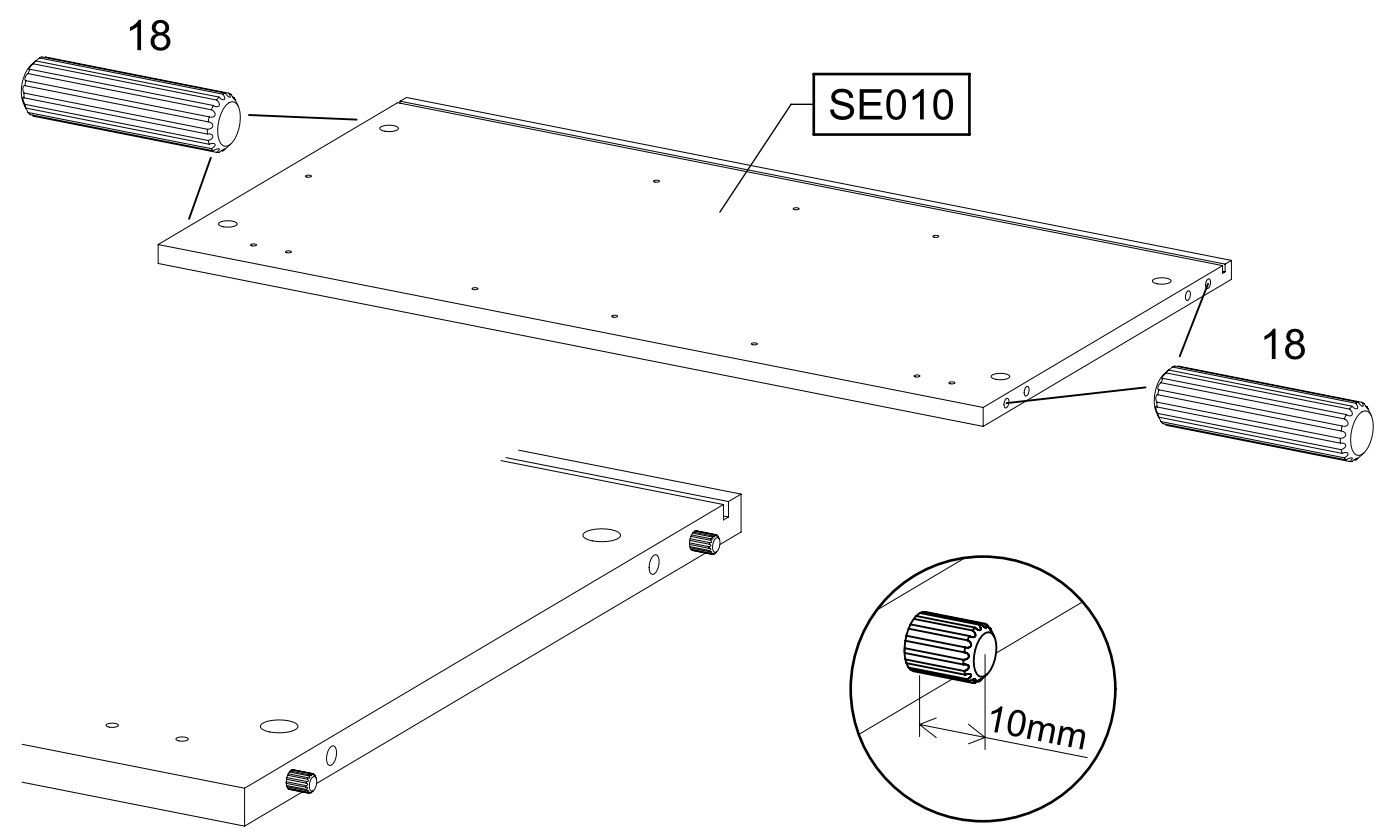
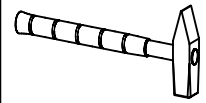






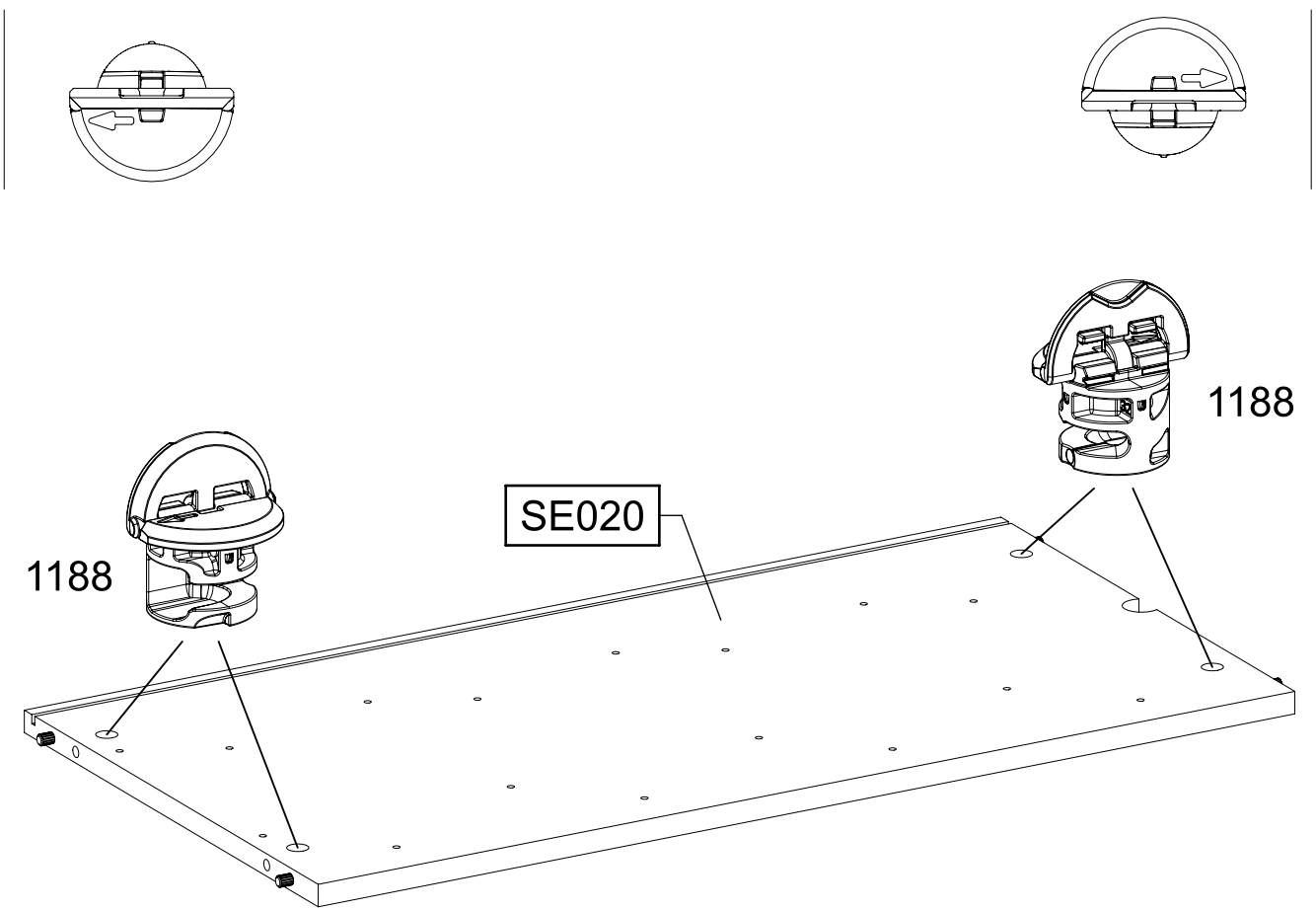
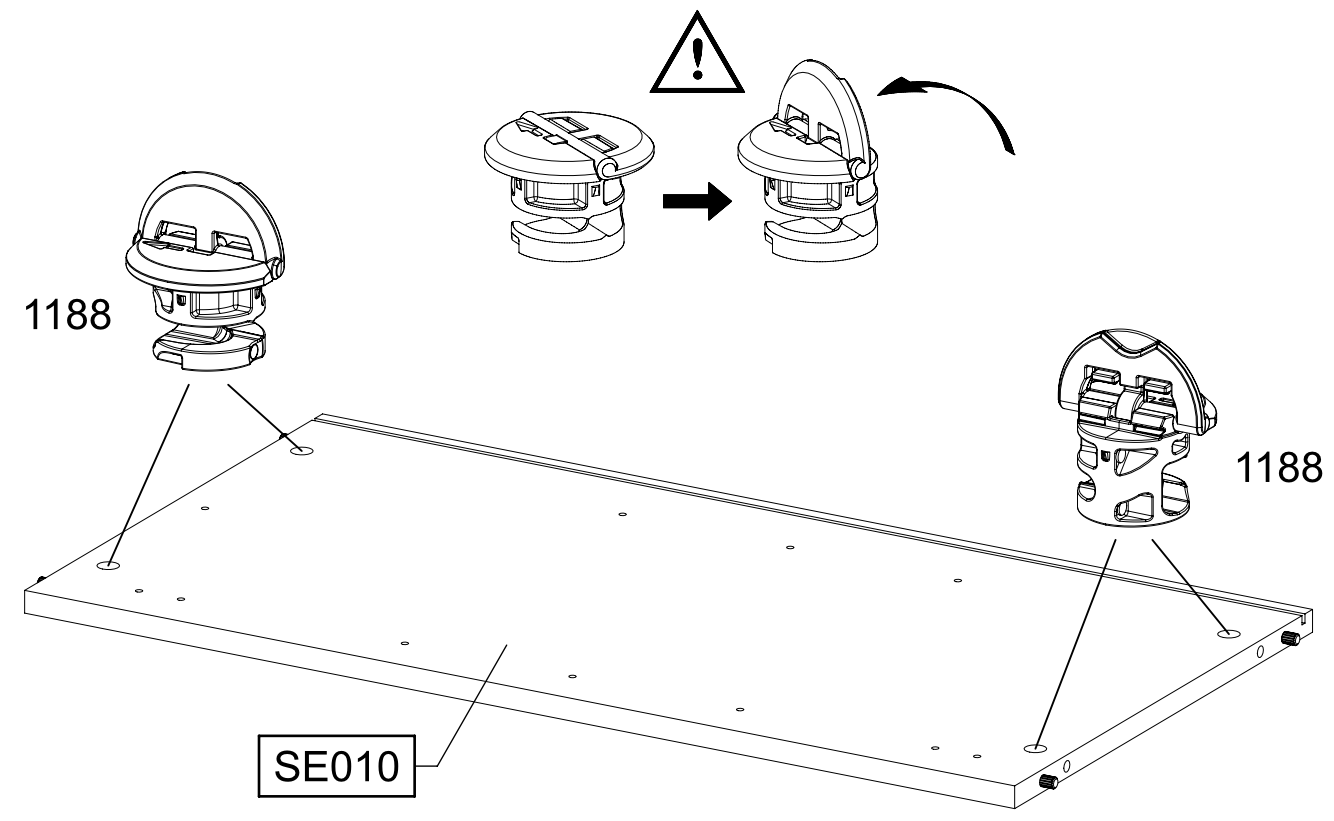
4

8x 18 8x30



5

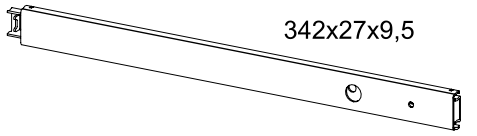
8x 1188



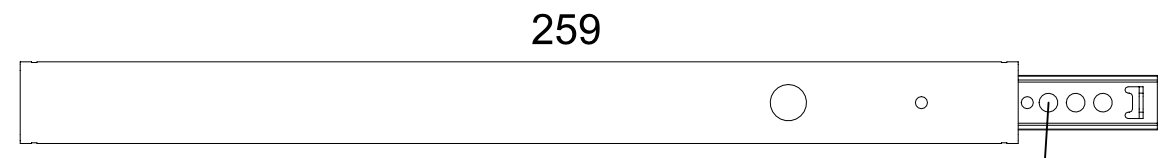
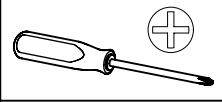
6

8x 227 6x10,5

4x 259

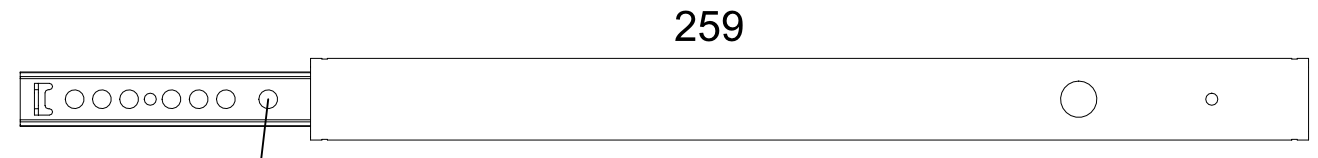


342x27x9,5



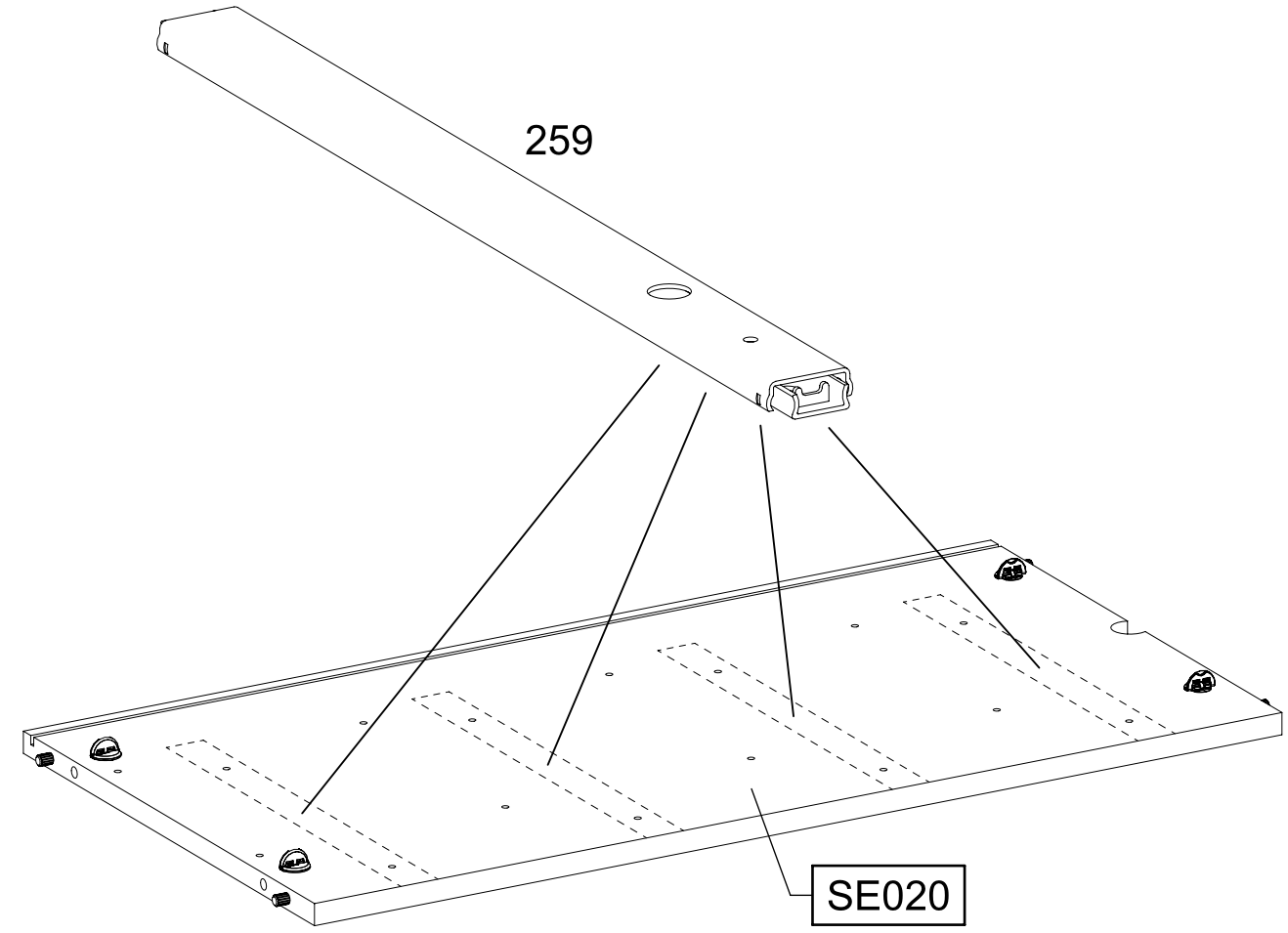
259

227 1.



259

227 2.

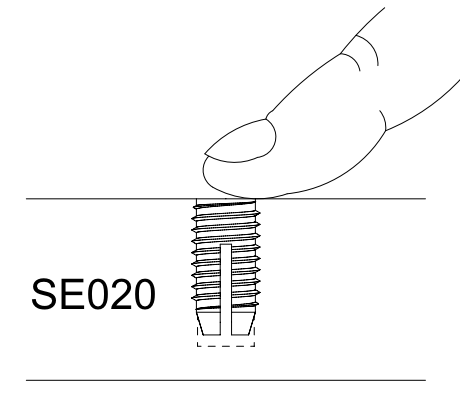
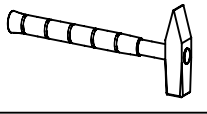


259

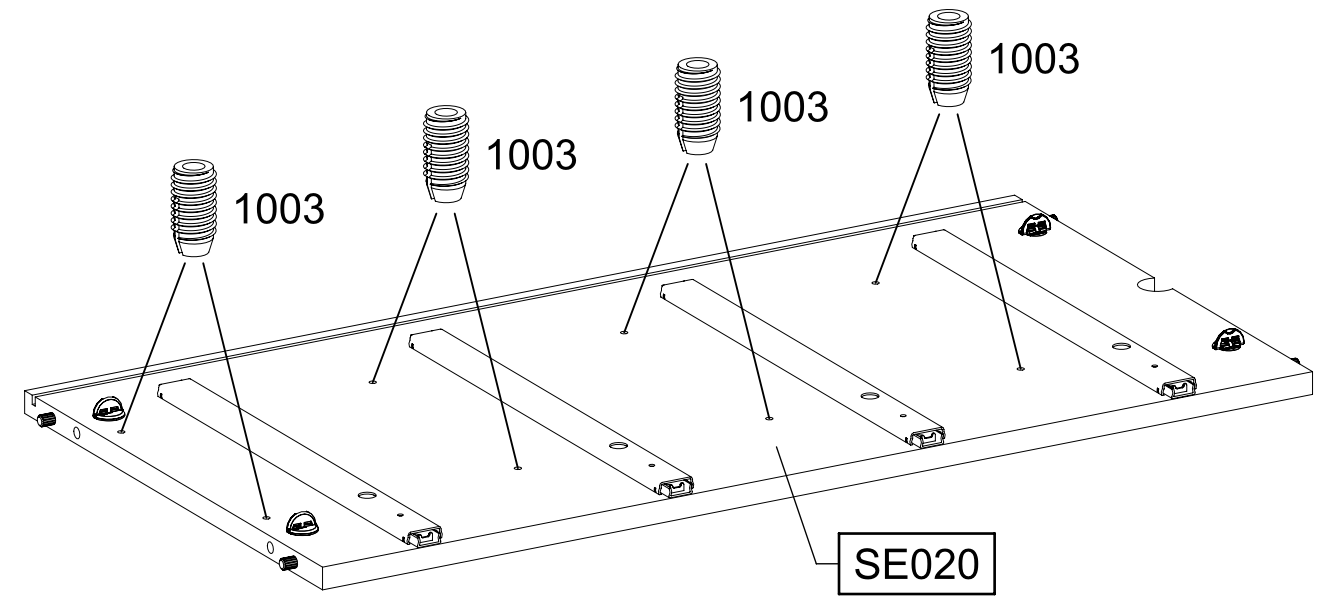
SE020

7

8x 1003 6x12



SE020



1003

1003

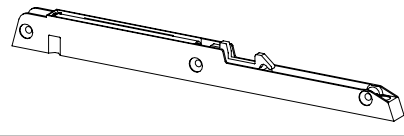
1003

1003

SE020

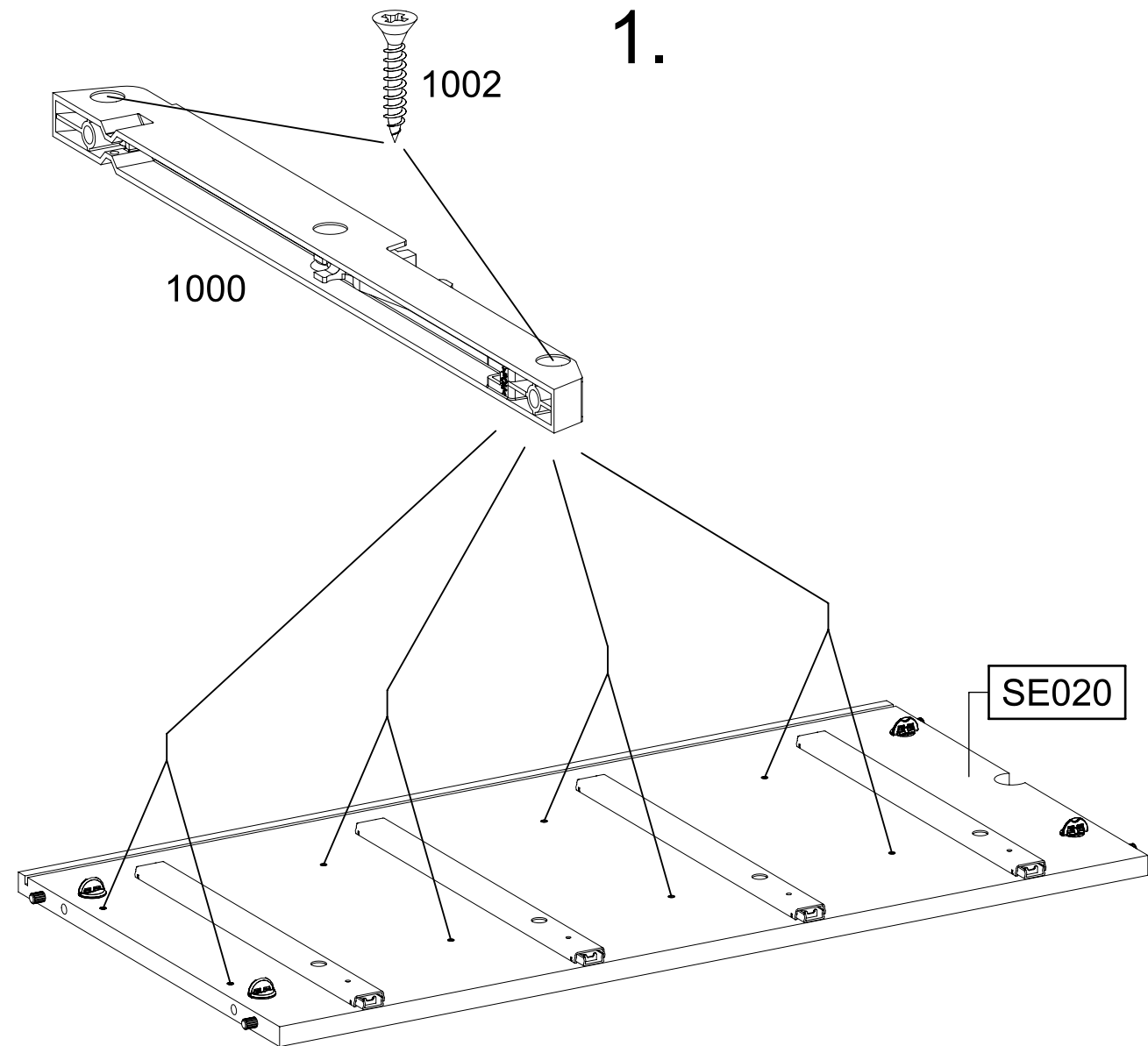
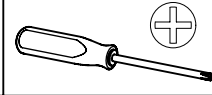
8

4x 1000

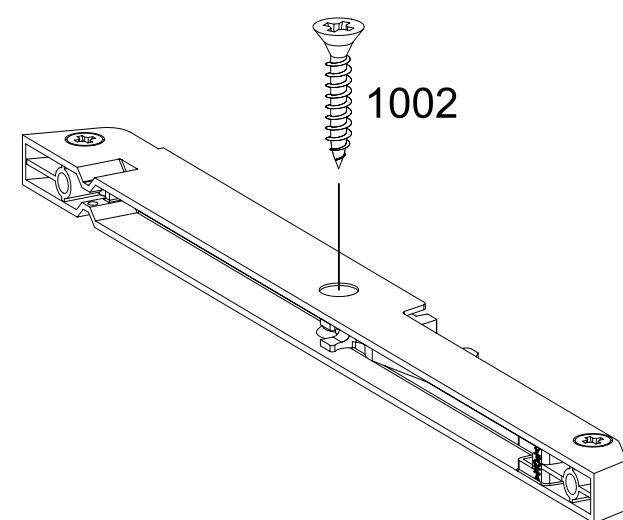


12x 1002

3,5x20



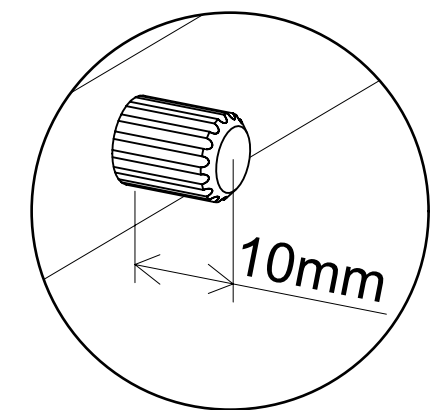
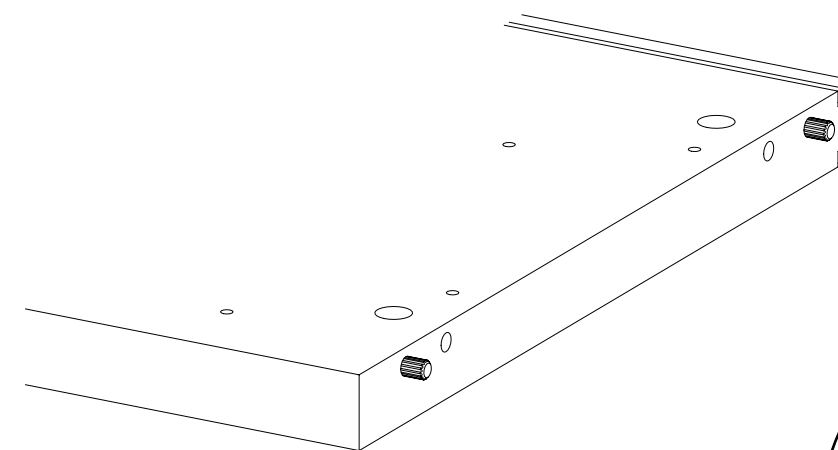
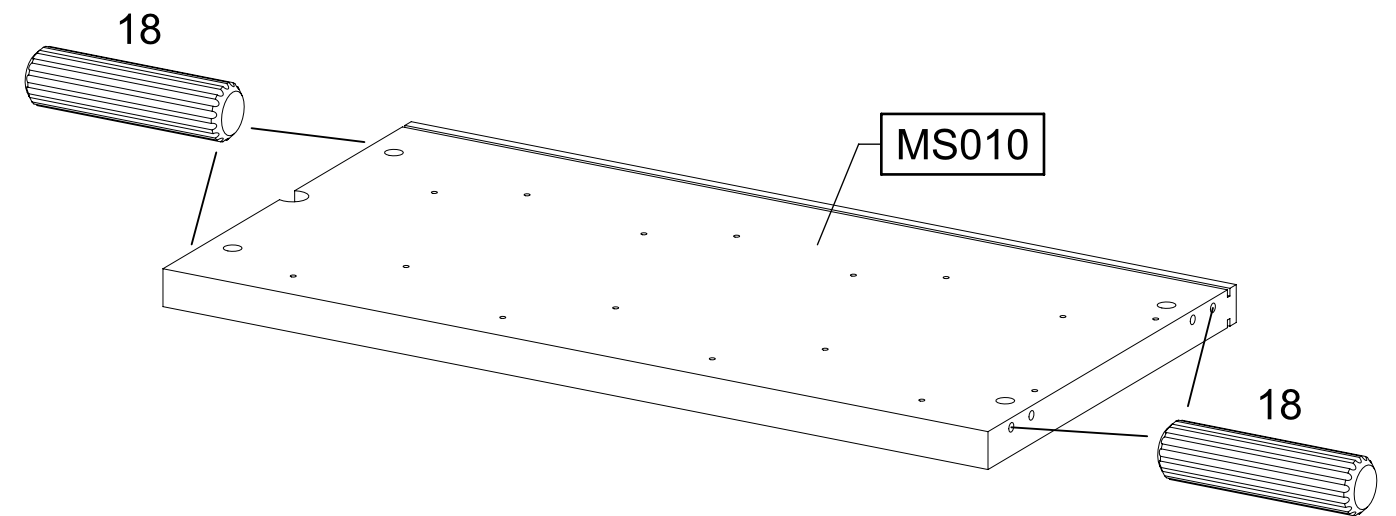
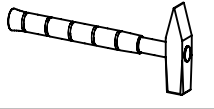
2.



9

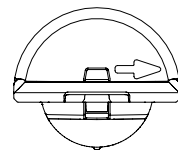
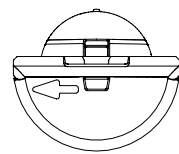
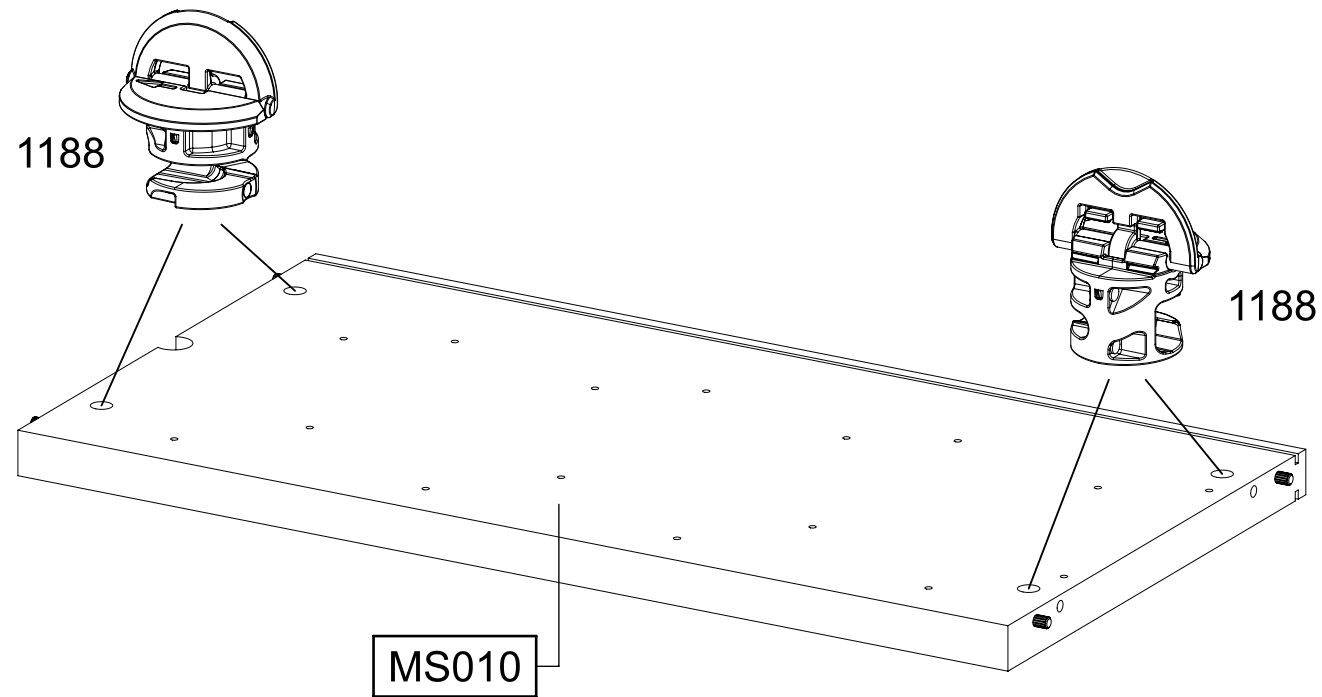
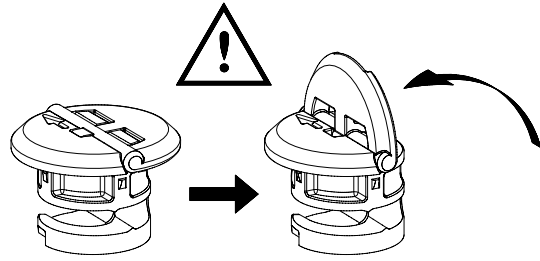
4x 18

8x30



10

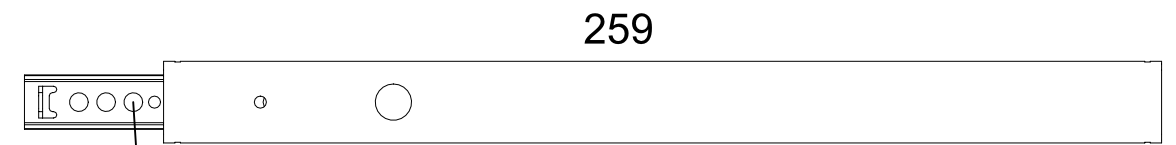
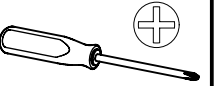
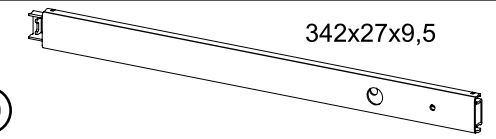
4x 1188



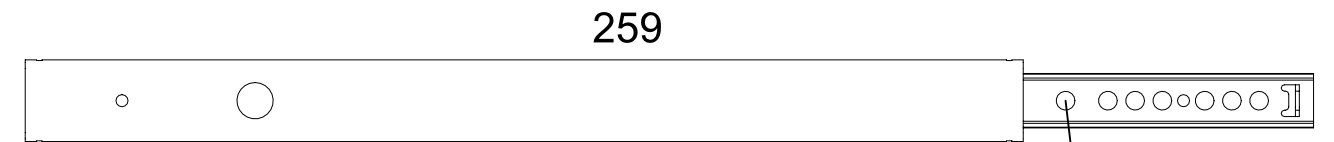
11

8x 227 6x10,5

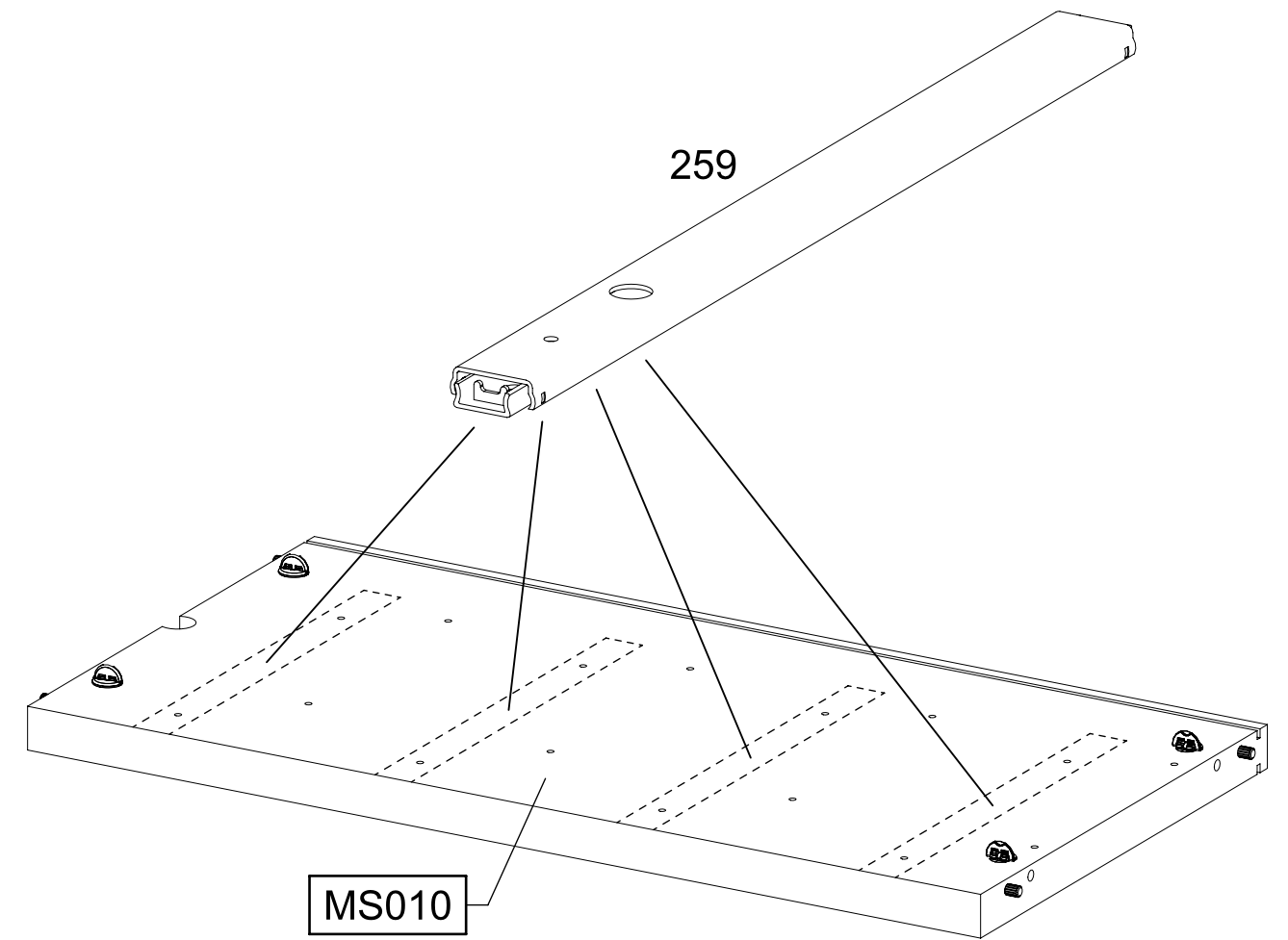
4x 259



1. 227



2. 227



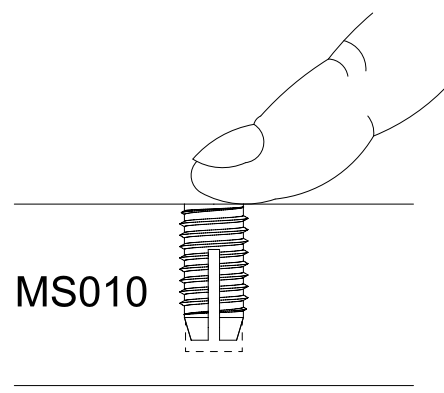
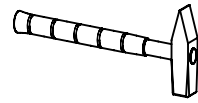
MS010

12

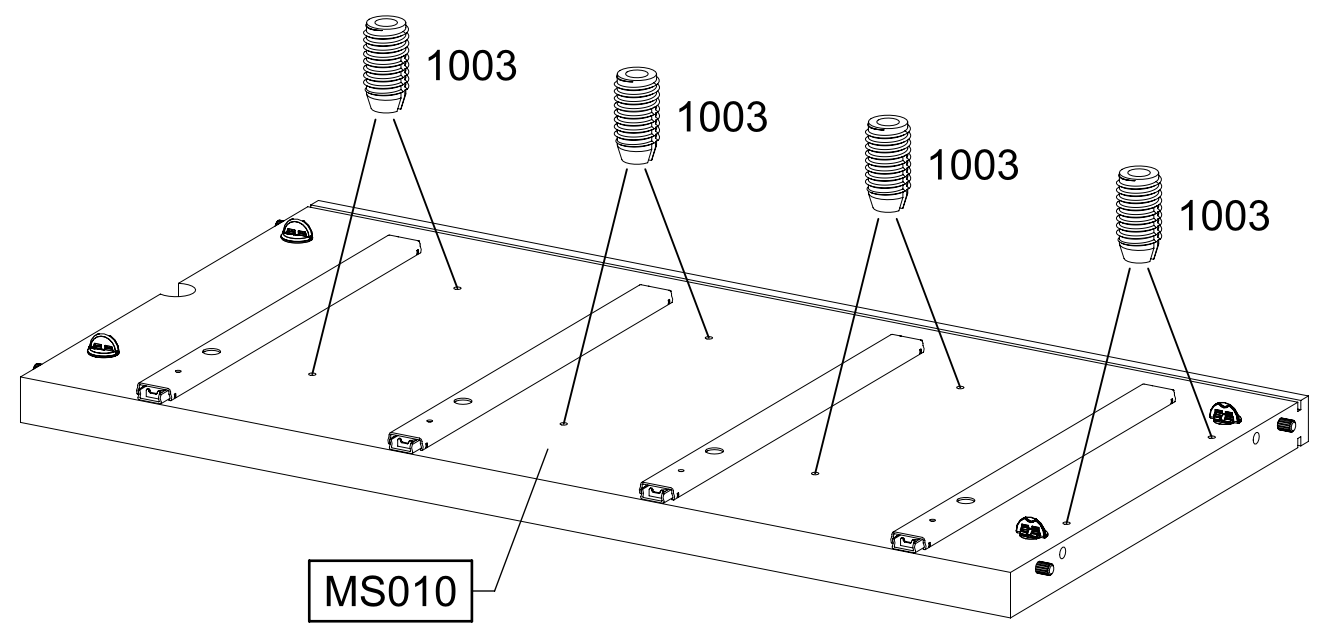
8x

1003

6x12



MS010

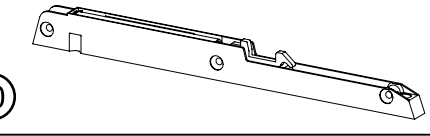


MS010

13

4x

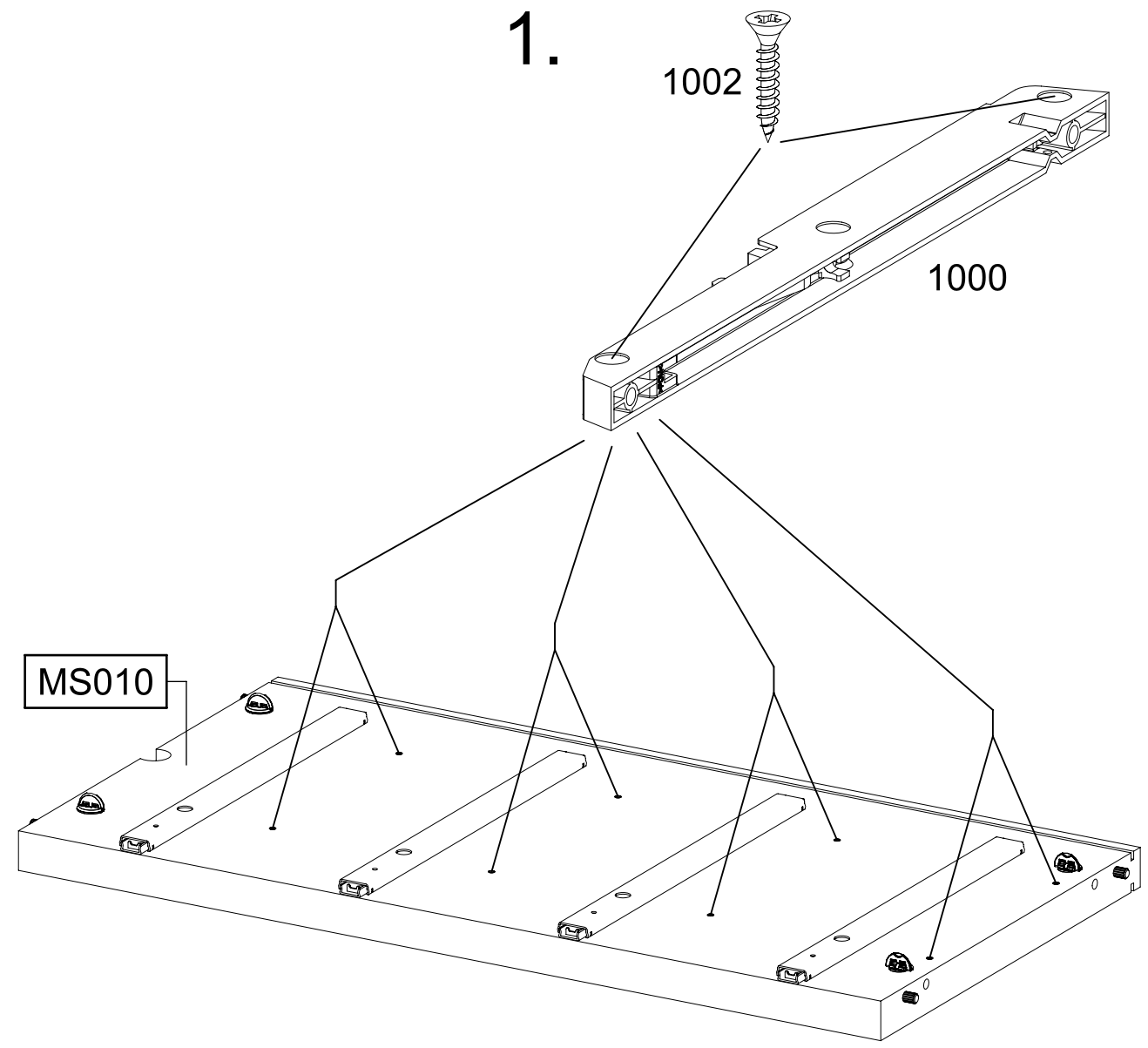
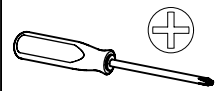
1000



12x

1002

3,5x20



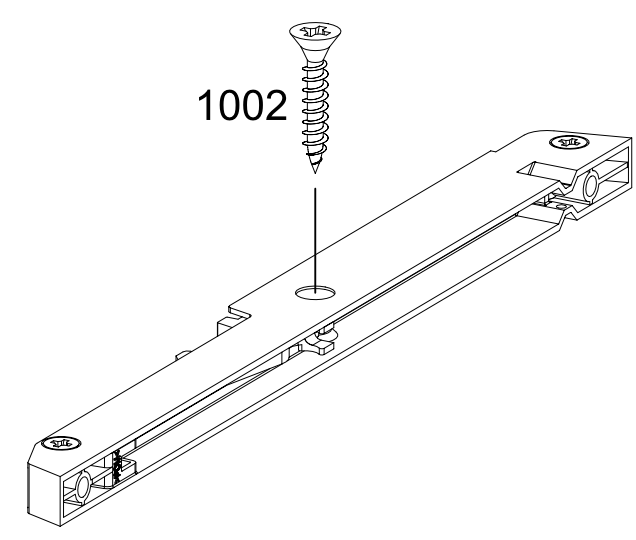
1.

1002

1000

MS010

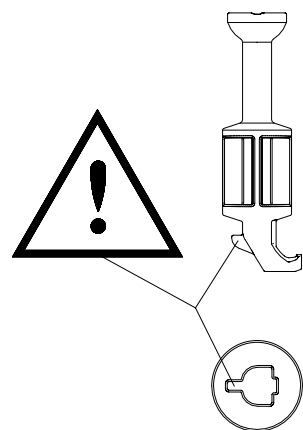
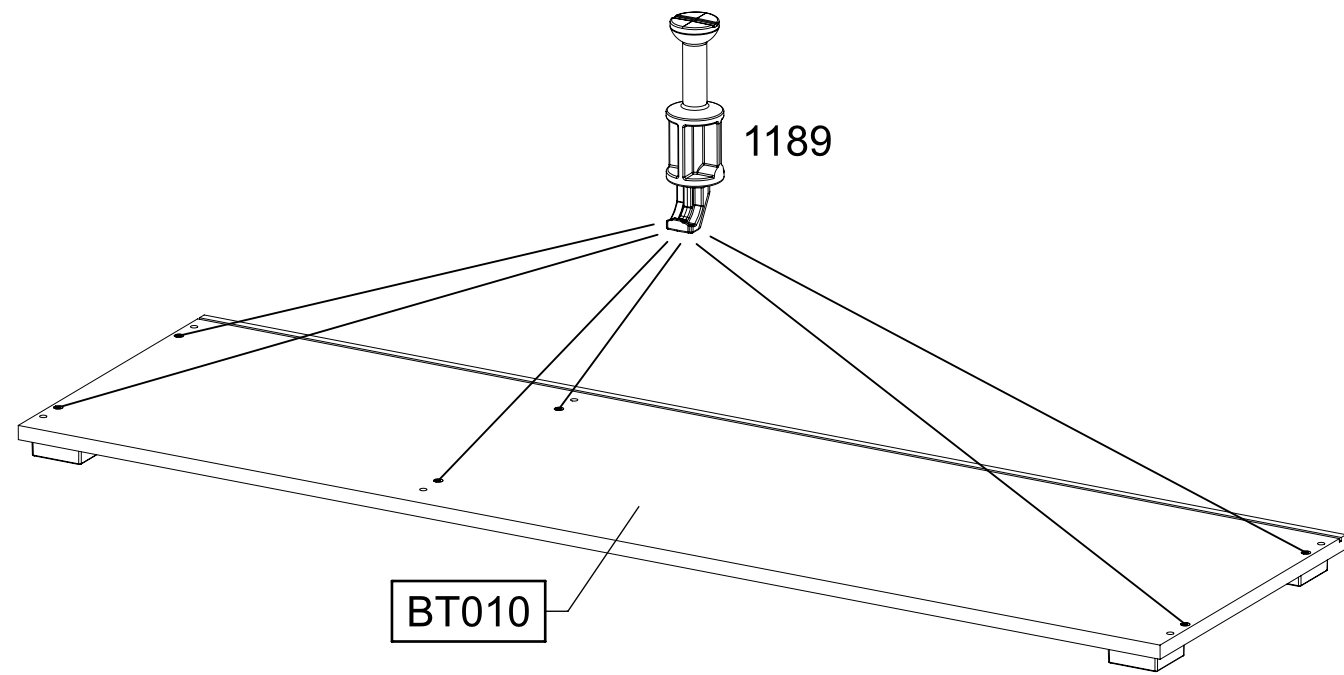
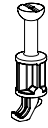
2.



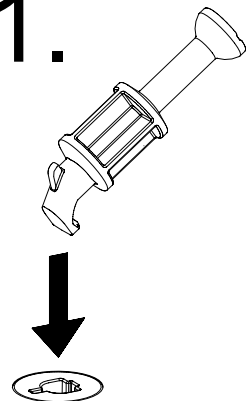
1002

14

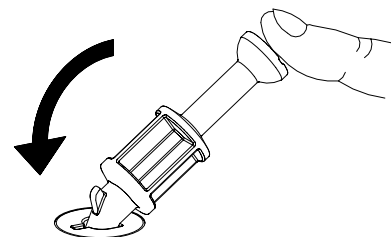
6x 1189



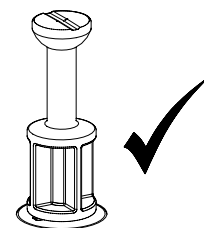
1.



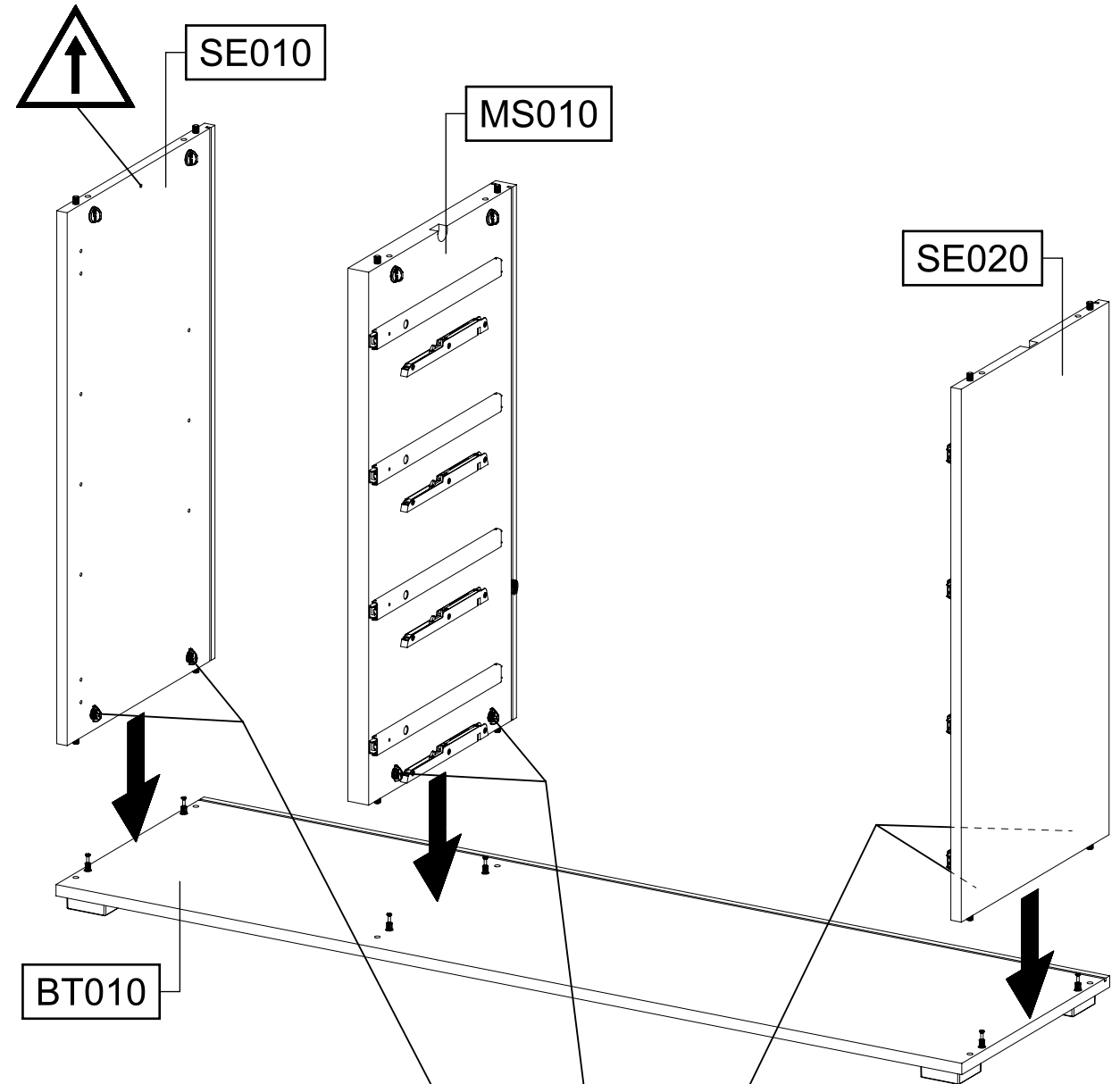
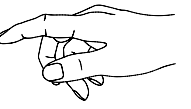
2.



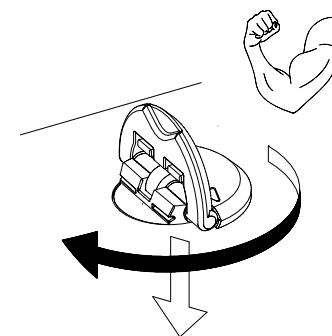
3.



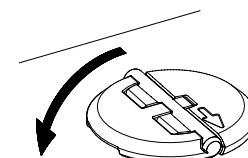
15



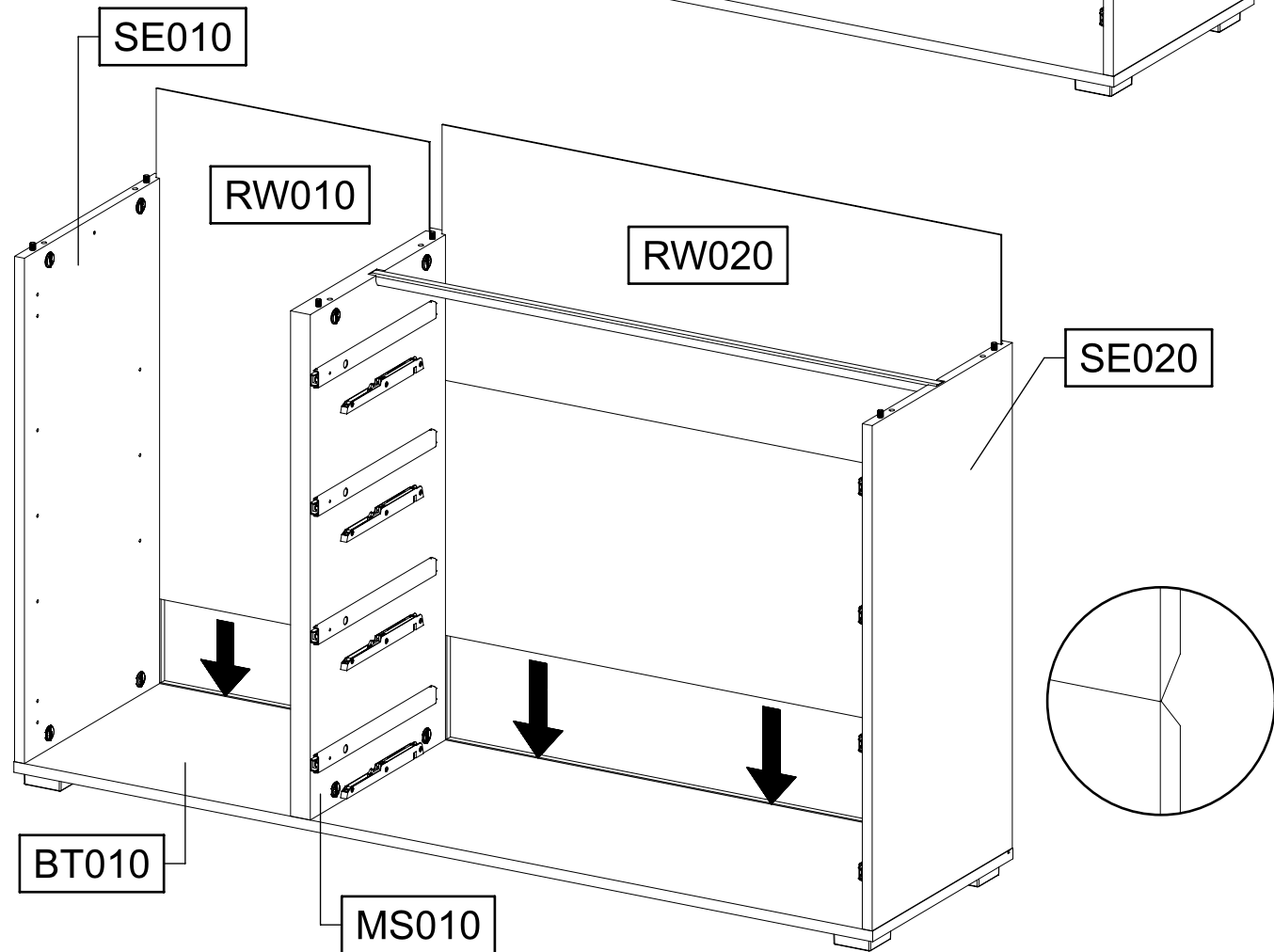
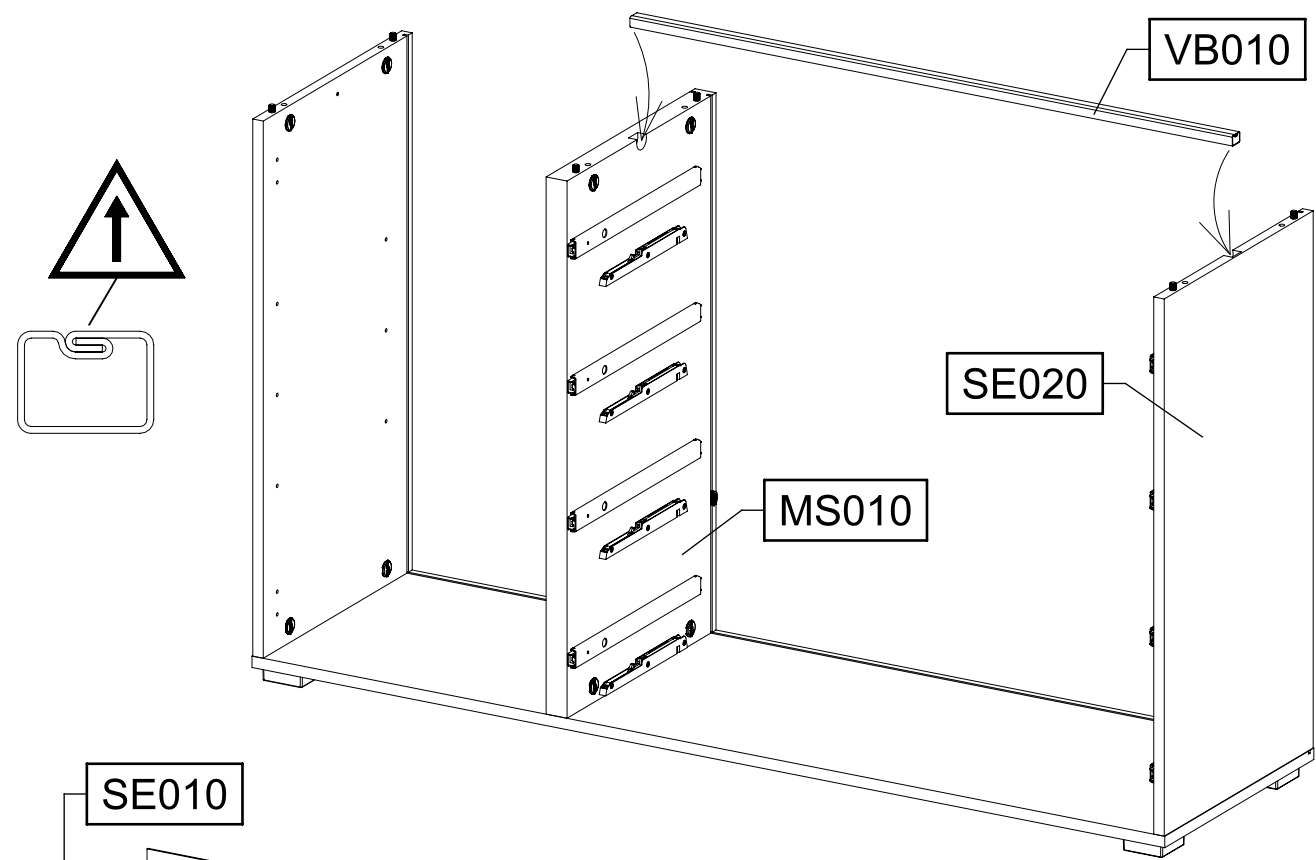
1.



2.

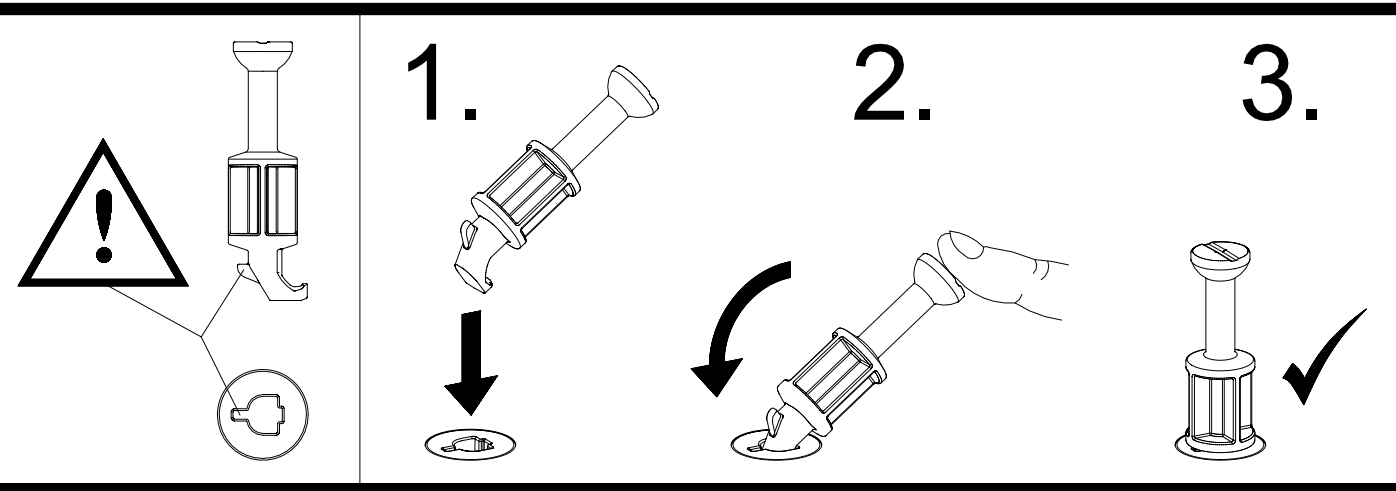
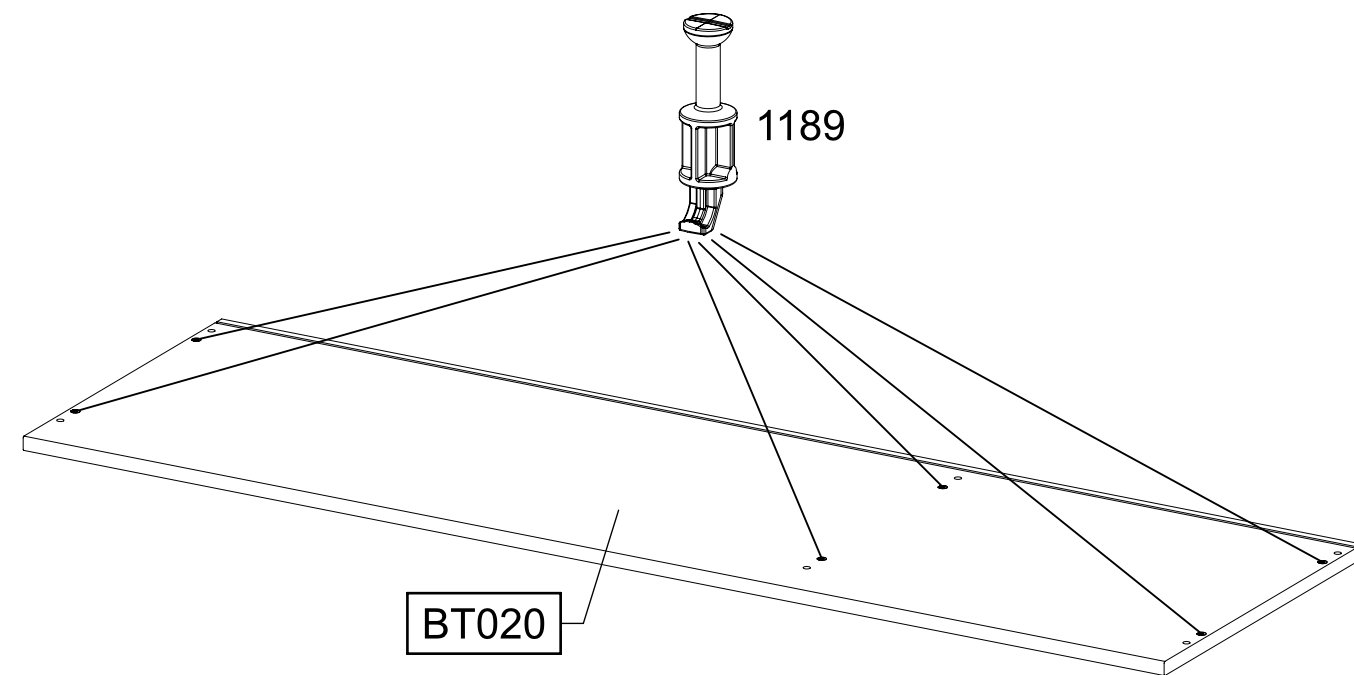


16

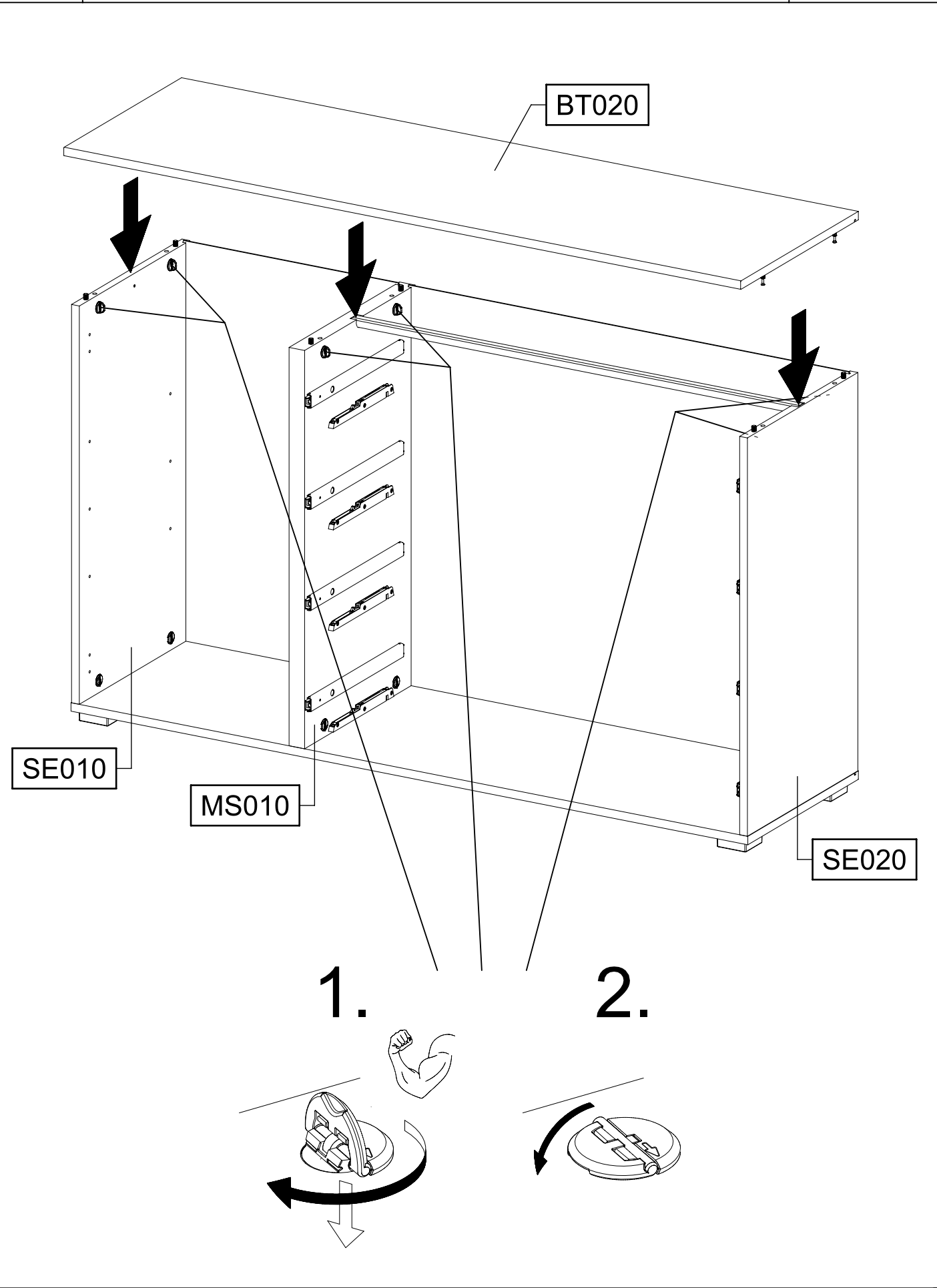


17

6x 1189



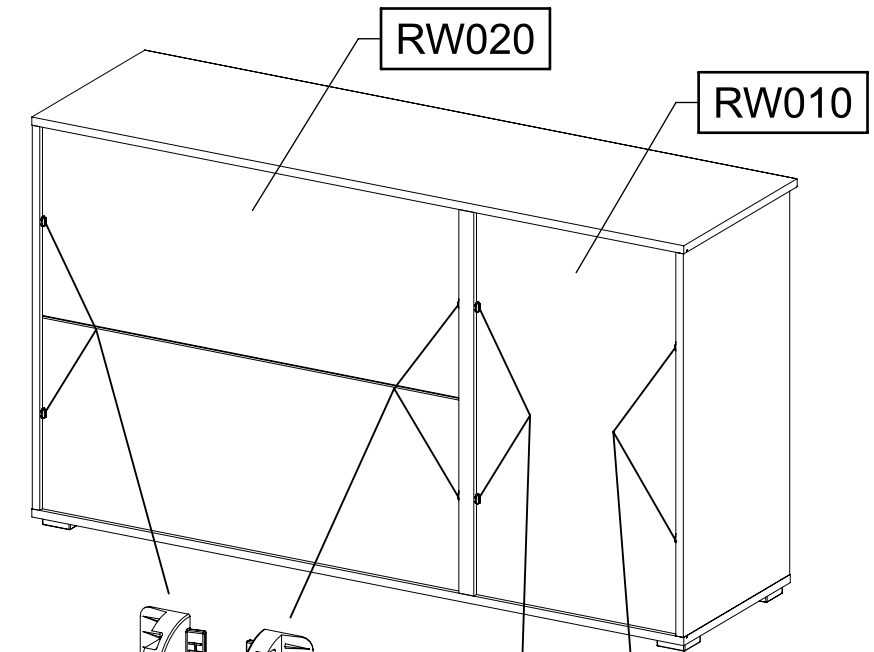
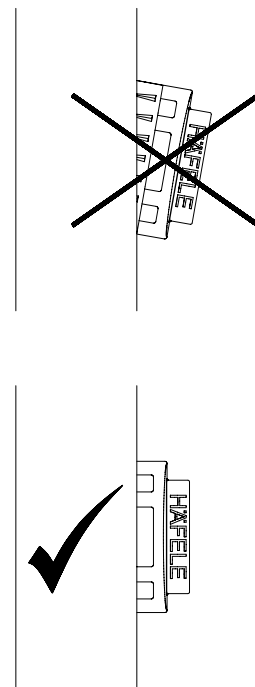
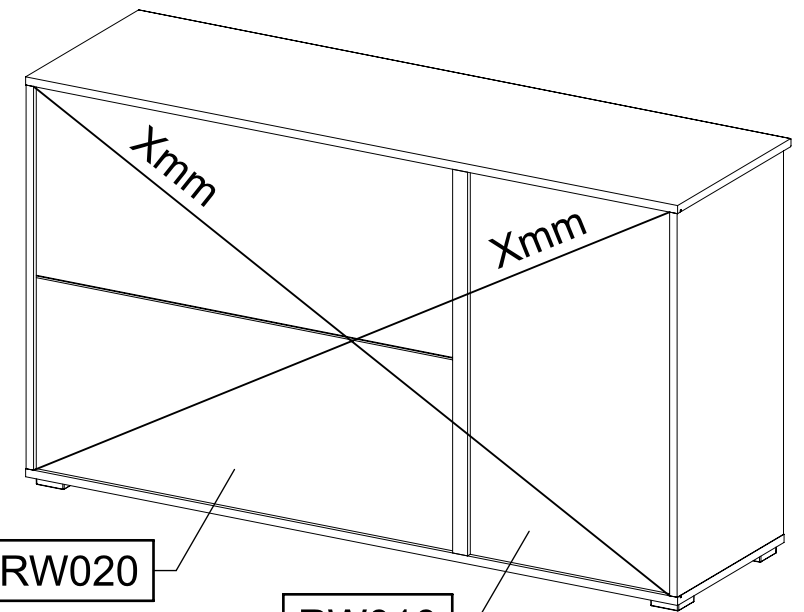
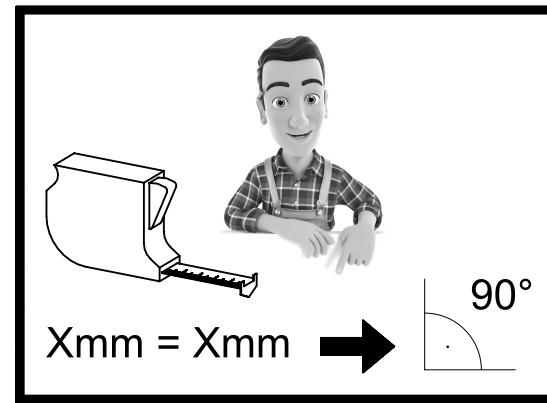
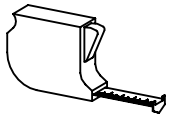
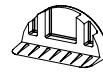
18



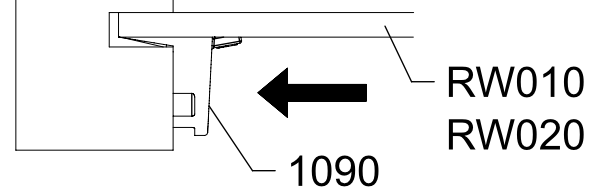
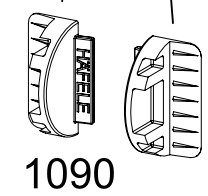
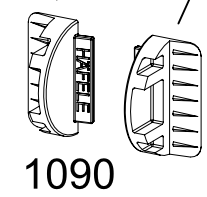
19

8x

1090



SE010  
SE020  
MS010

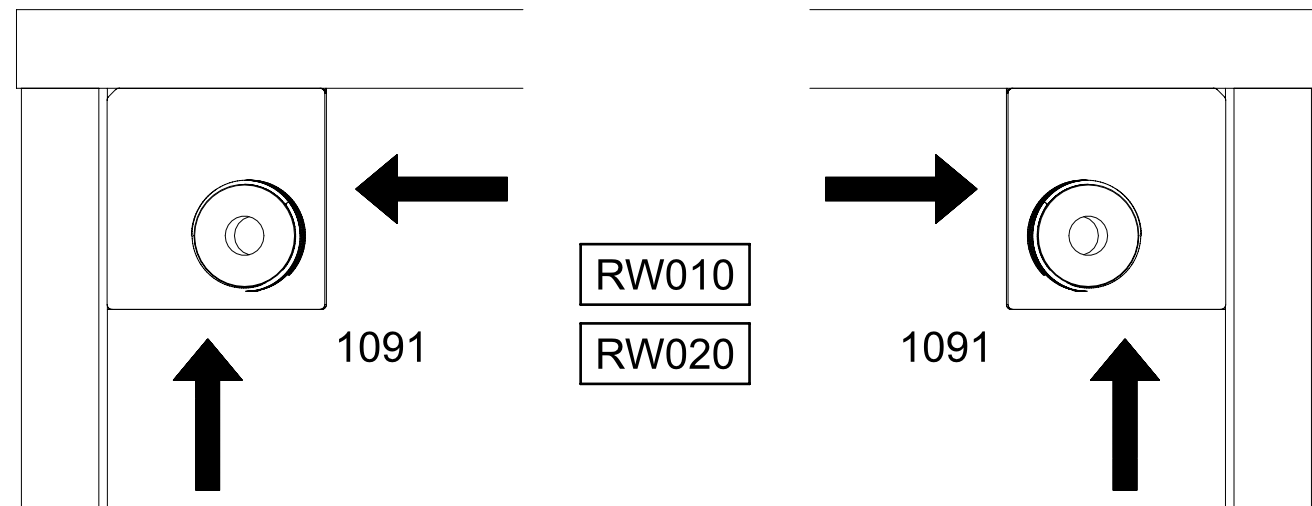
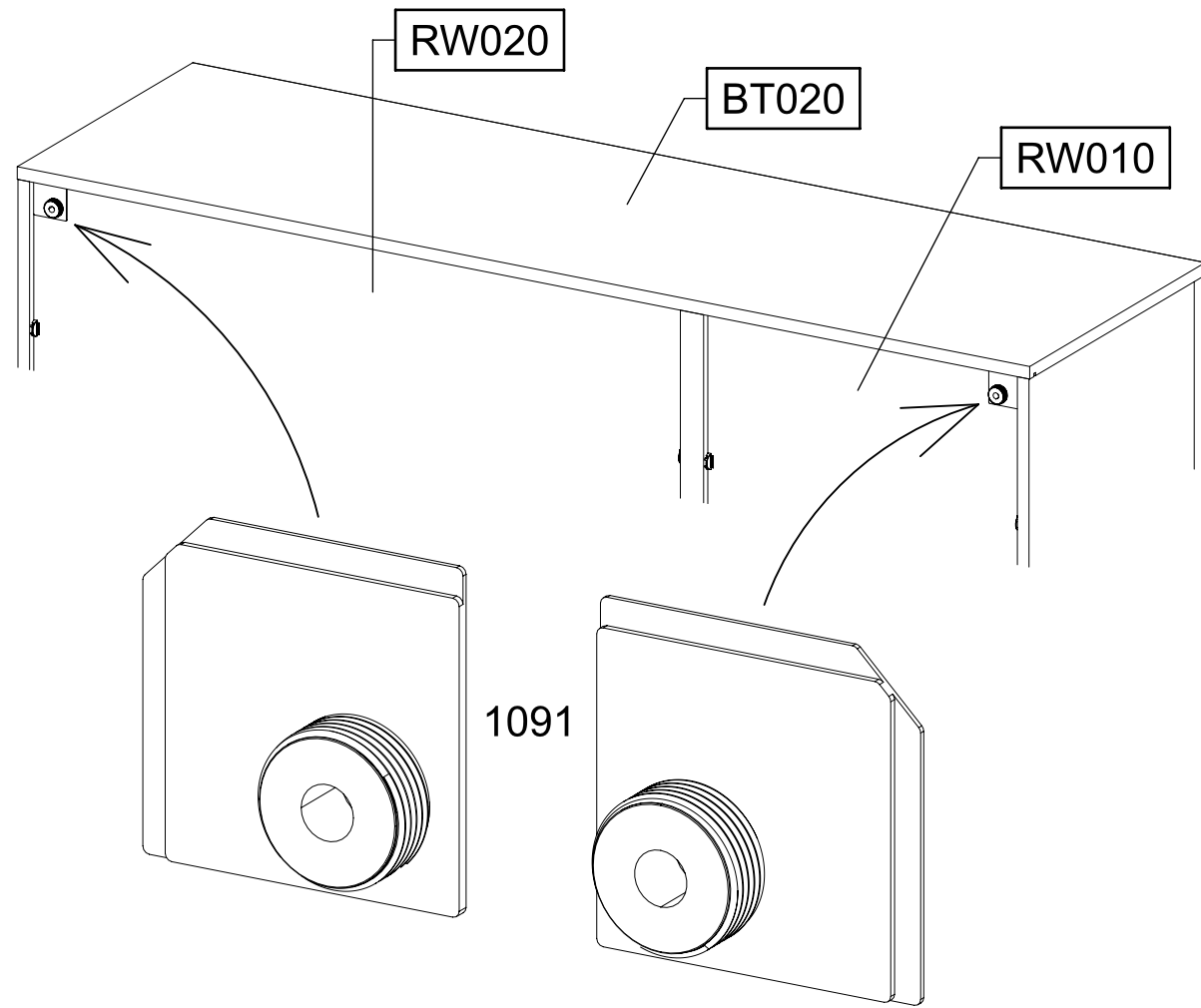
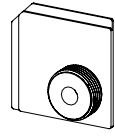




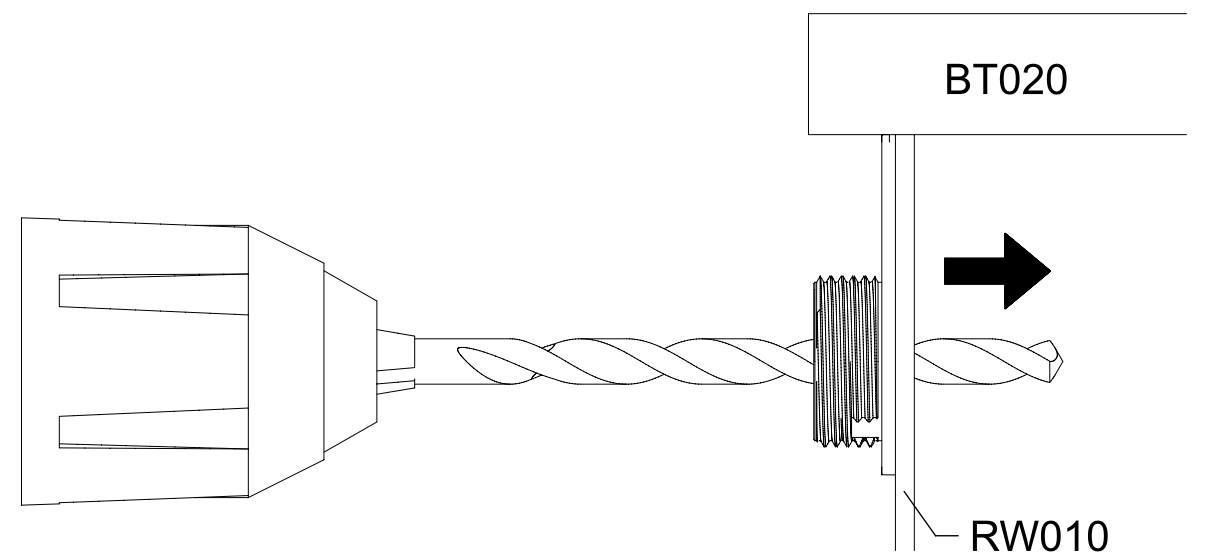
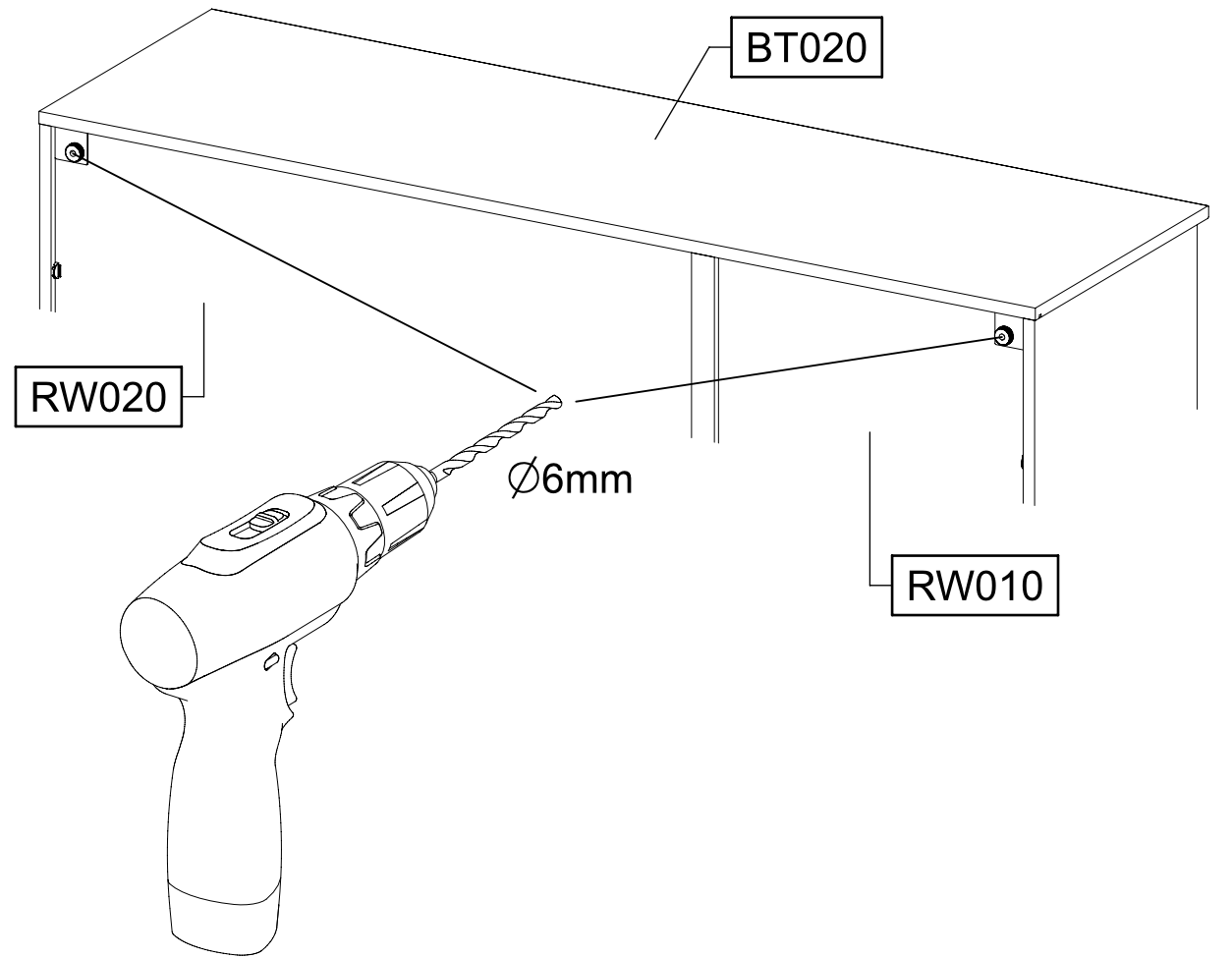
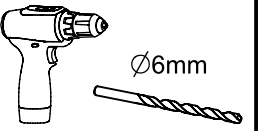
20

2x

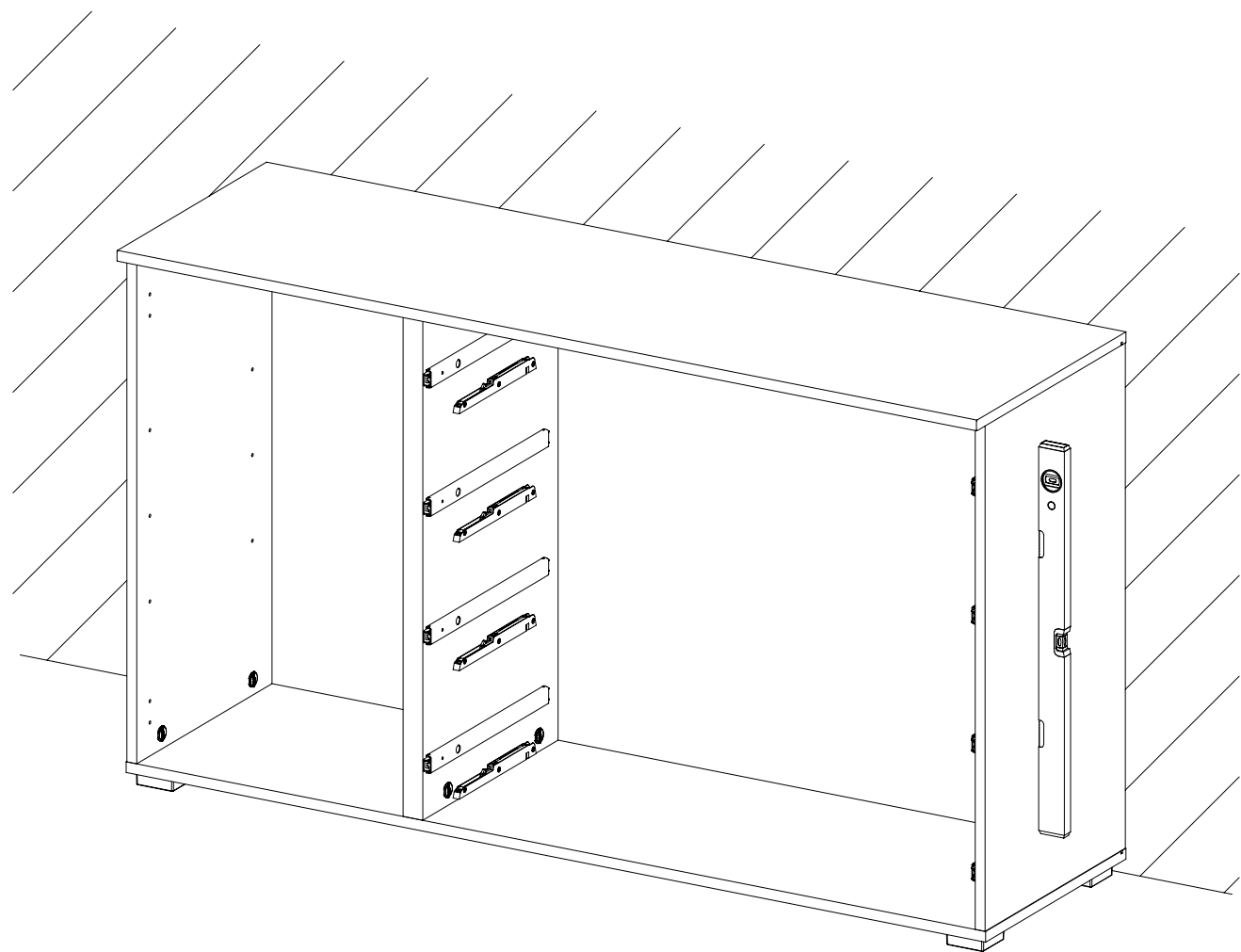
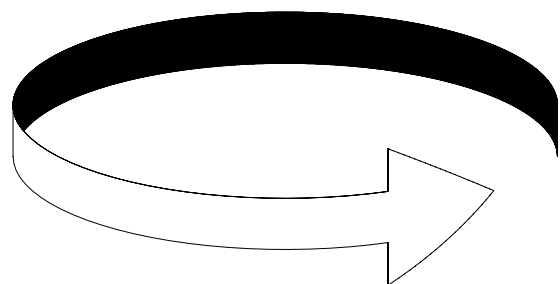
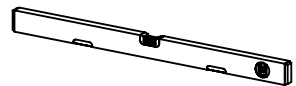
1091



21



22

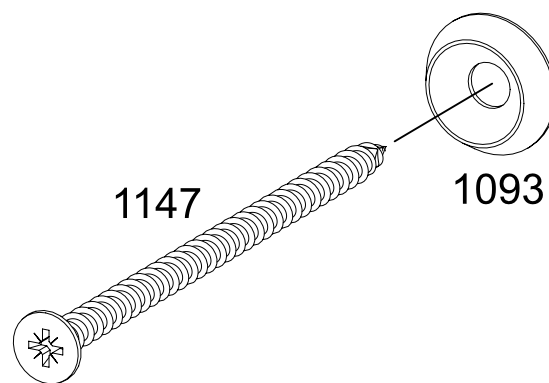
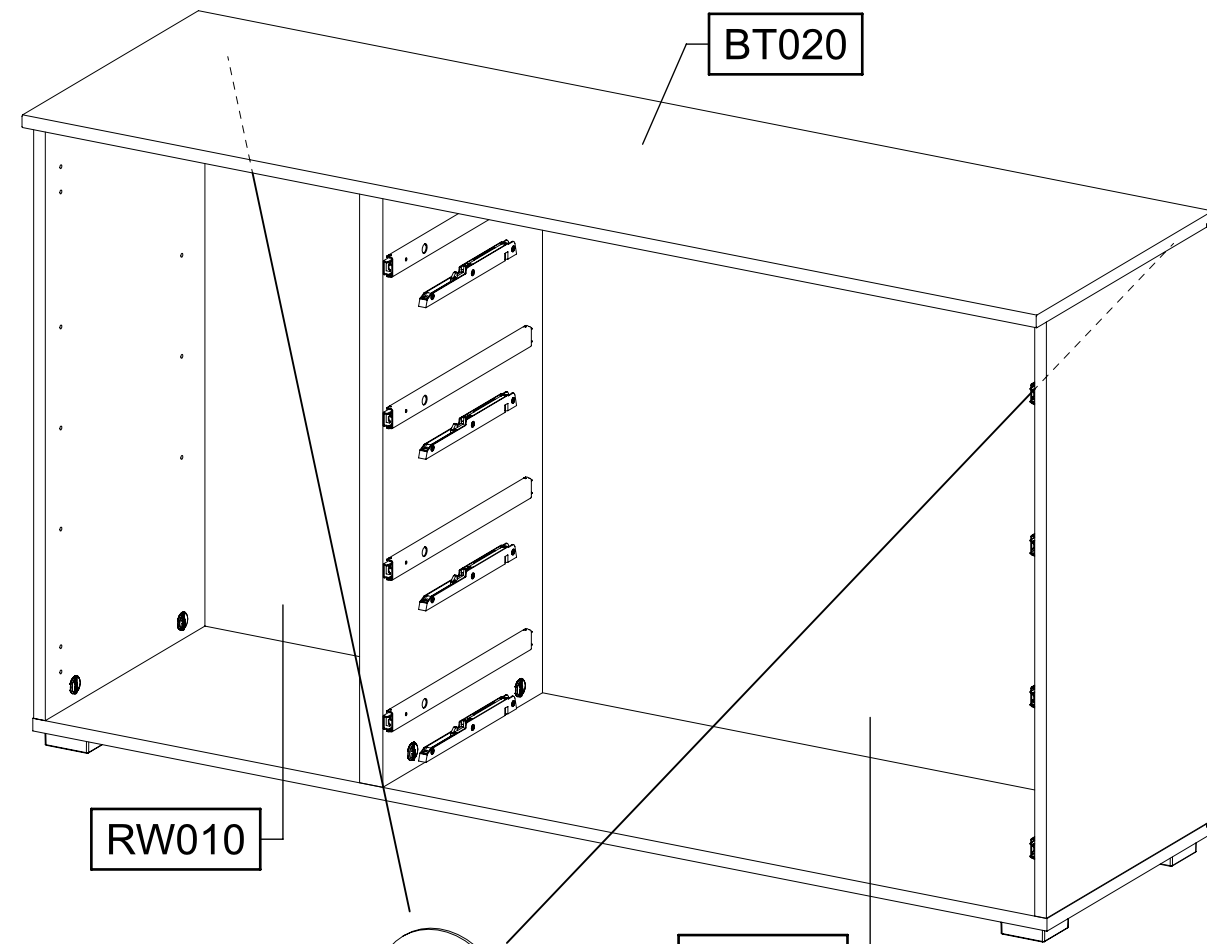
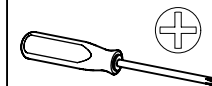
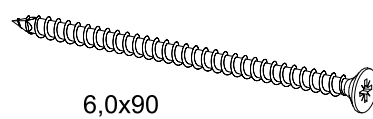


23

2x 1093



2x 1147

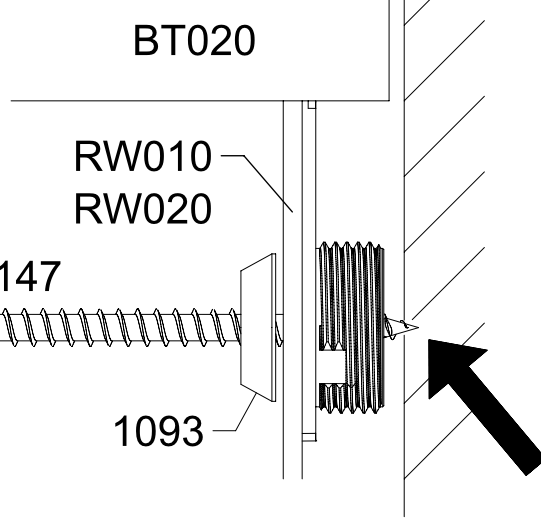


1093

1147

RW020

RW010



BT020

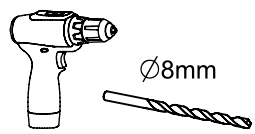
RW010

RW020

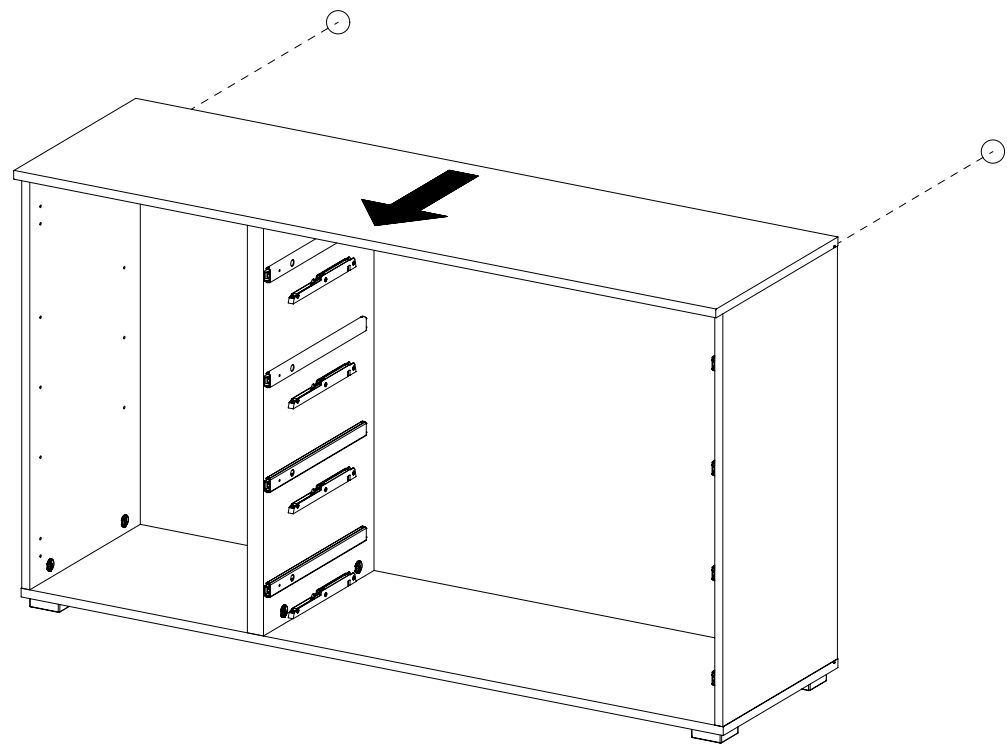
1147

1093

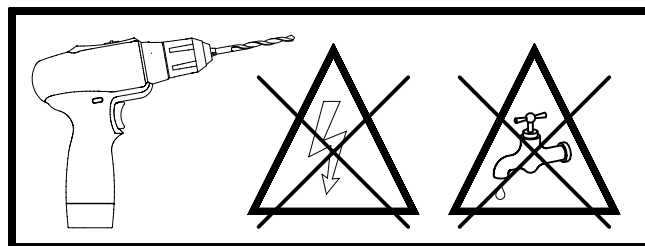
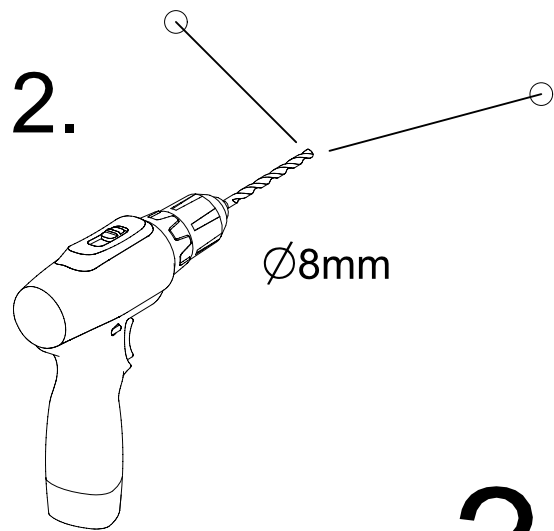
24



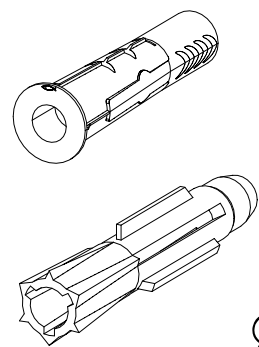
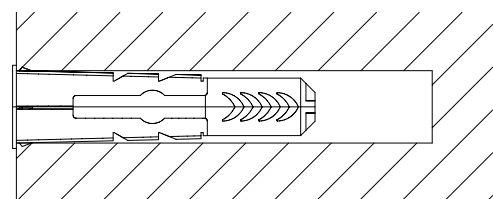
1.



2.



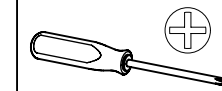
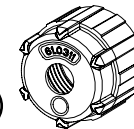
3.



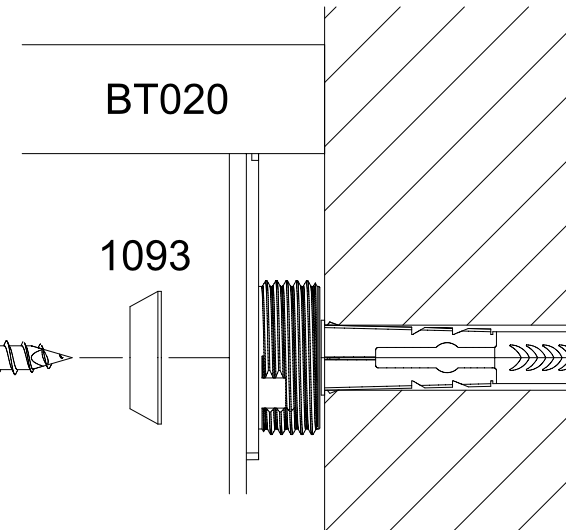
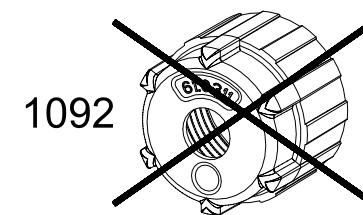
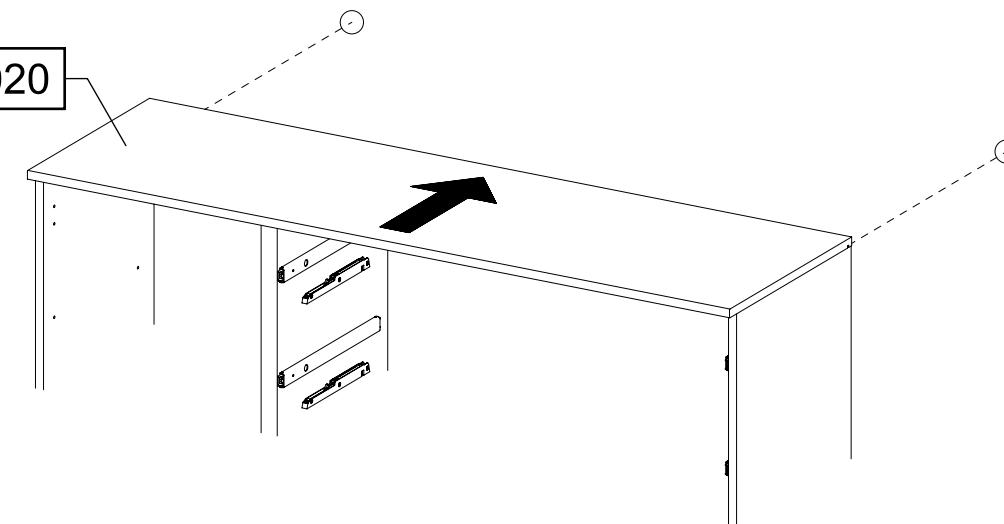
Ø8mm

25

2x 1092



BT020



1147

1093

BT020

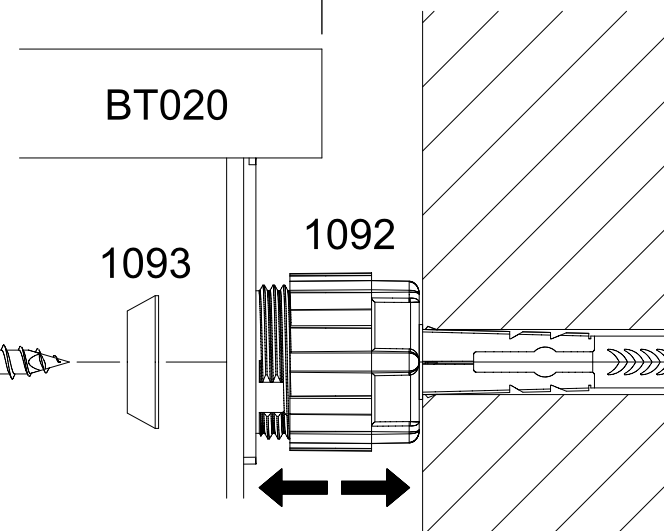
1147

1093

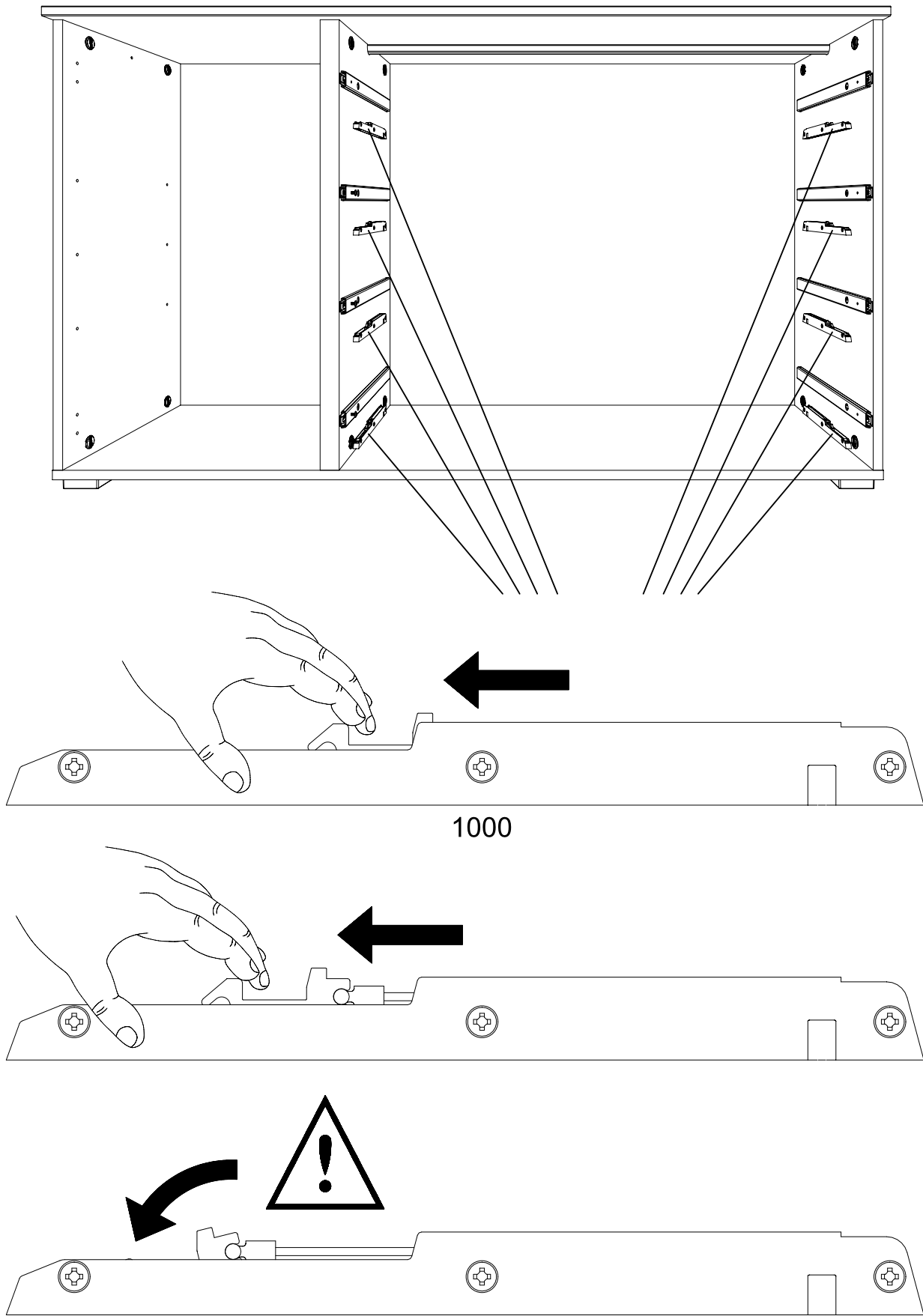
1092

BT020

10-15mm



26

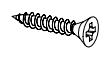


27

8x

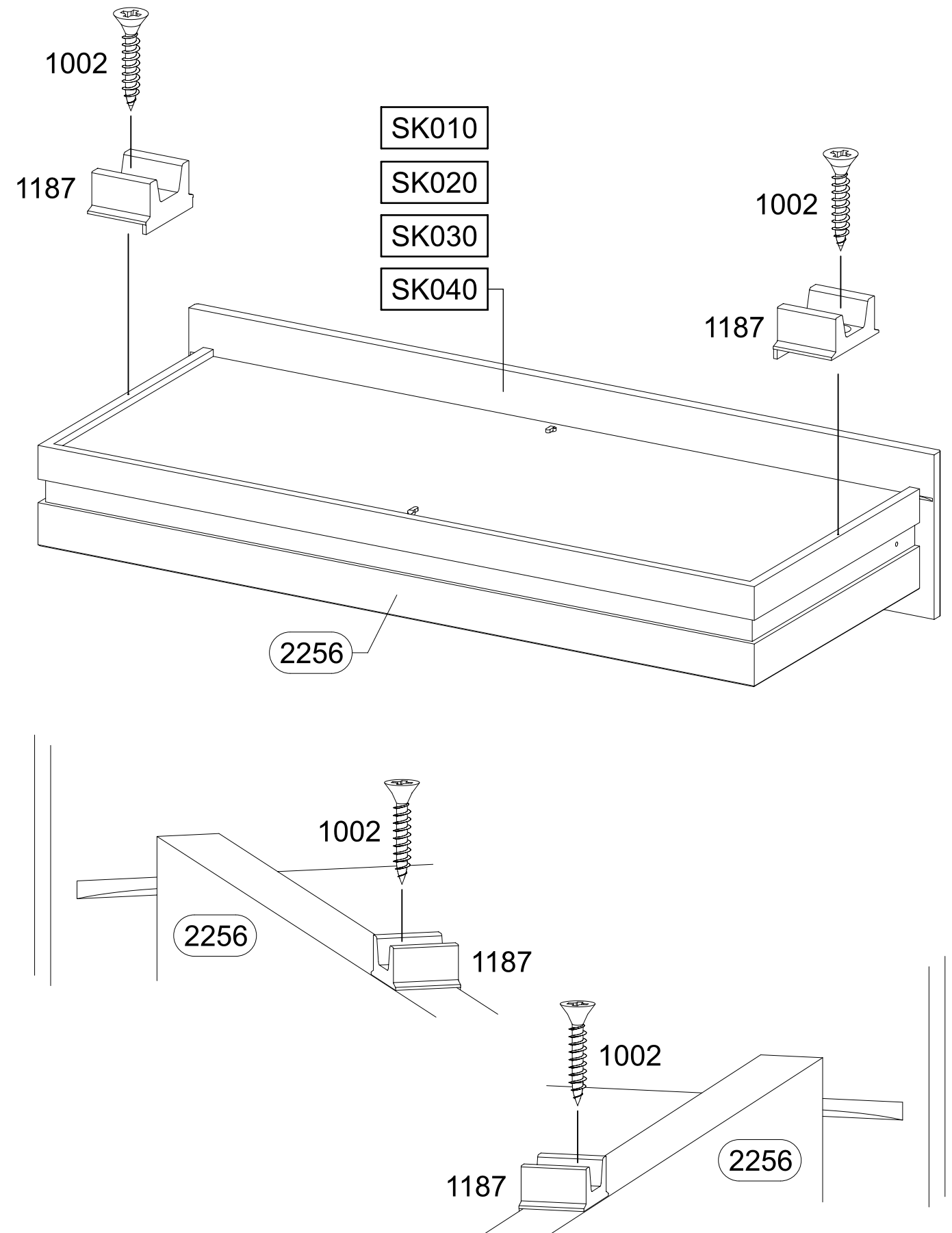
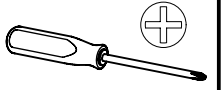
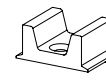
1002

3,5x20



8x

1187

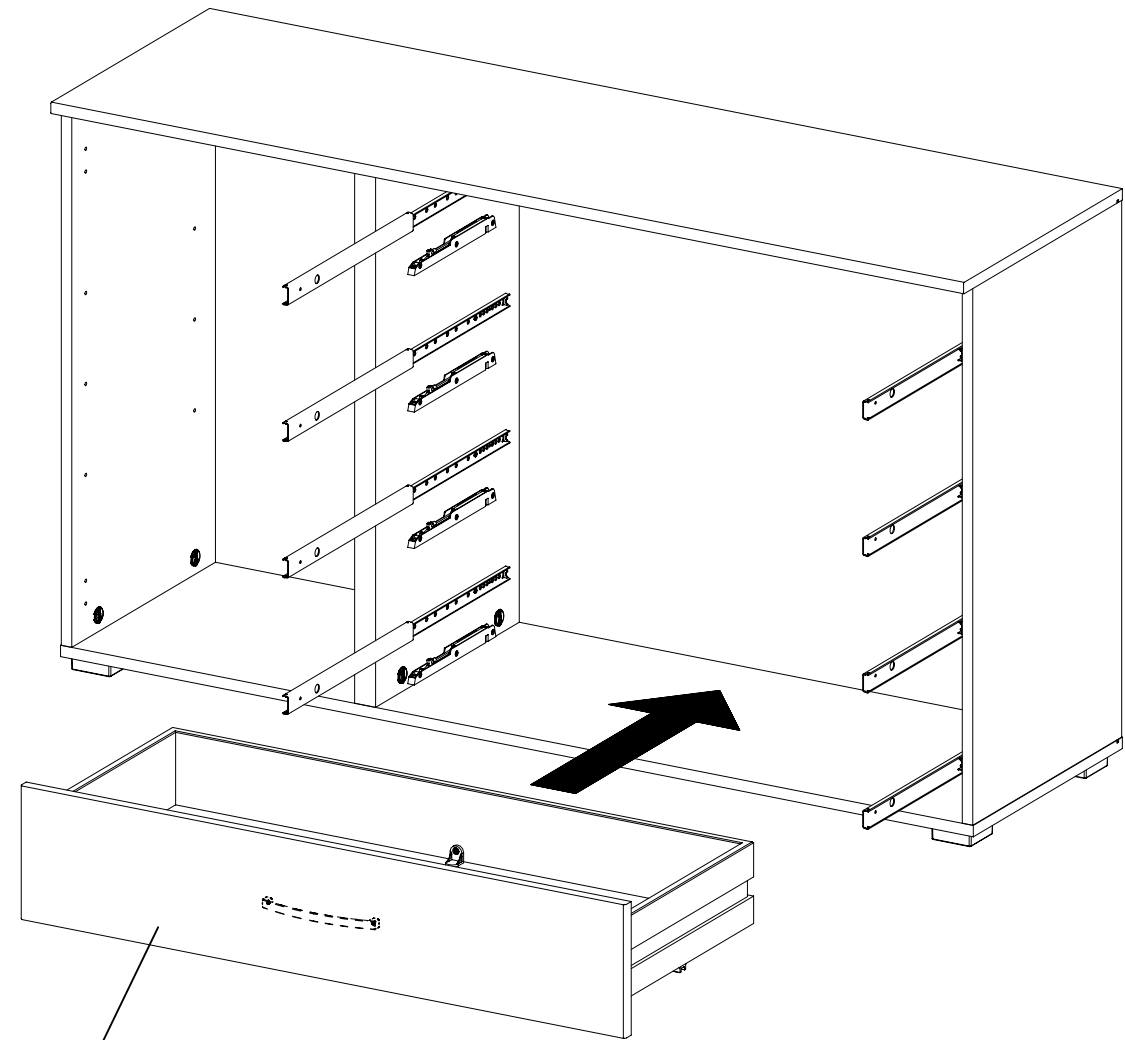
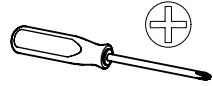


28

8x

568

M4x9



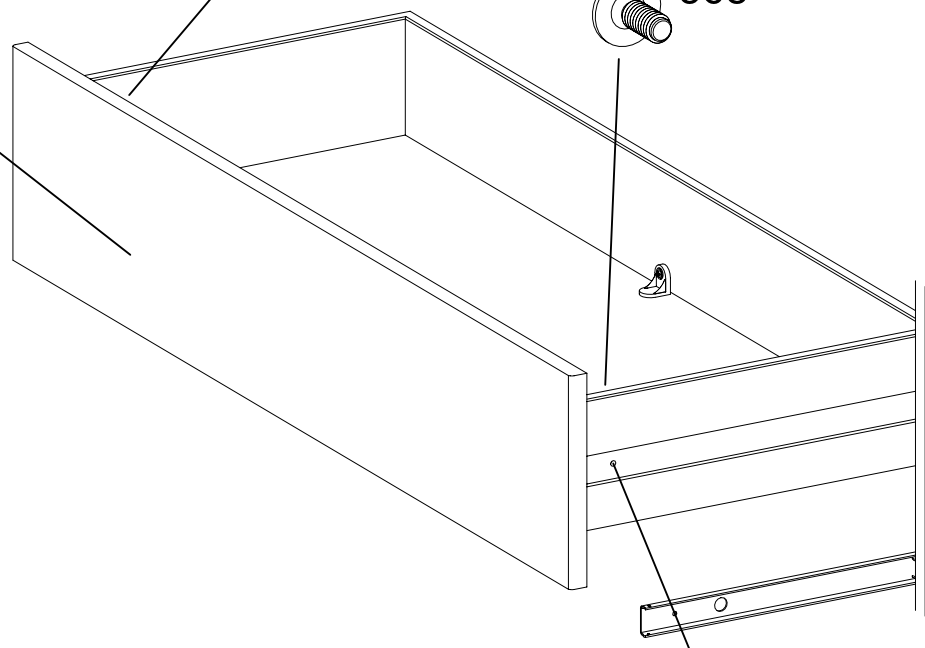
- SK010
- SK020
- SK030
- SK040



568



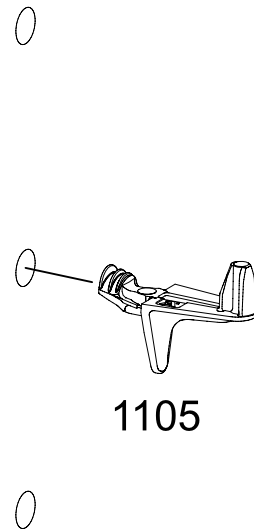
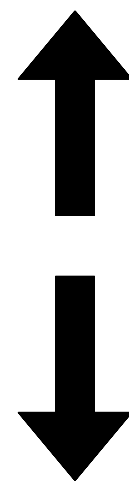
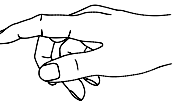
568



29

4x

1105

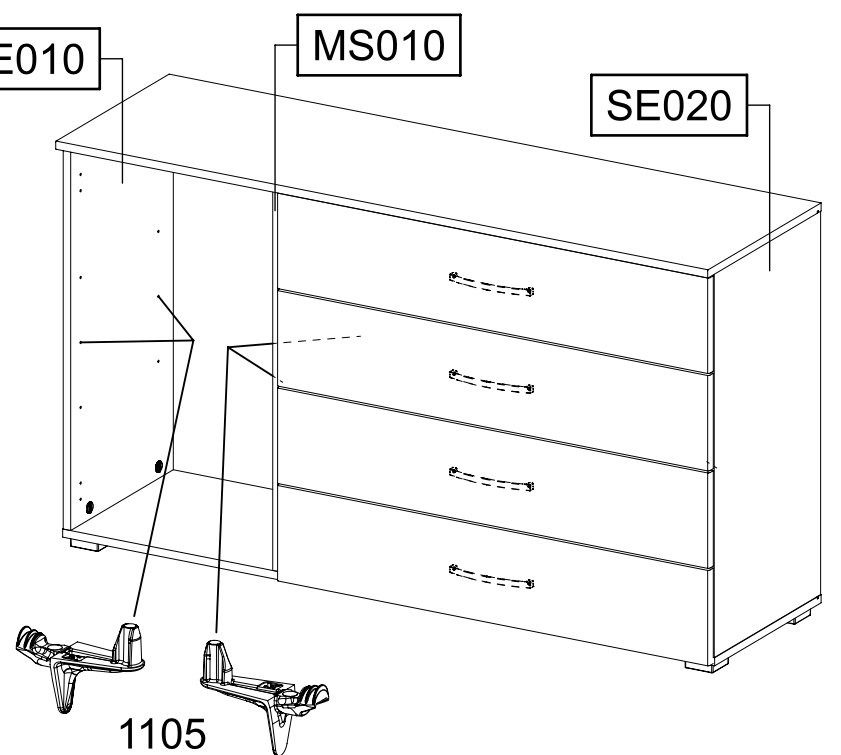


1105

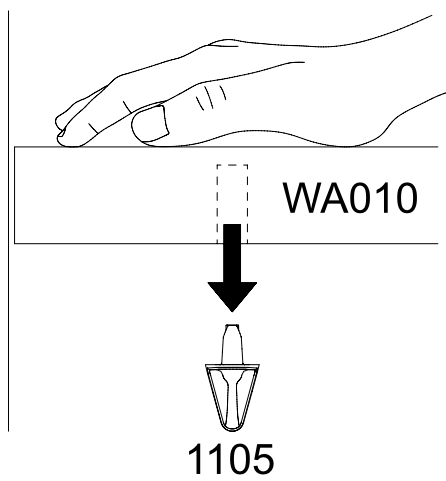
SE010

MS010

SE020



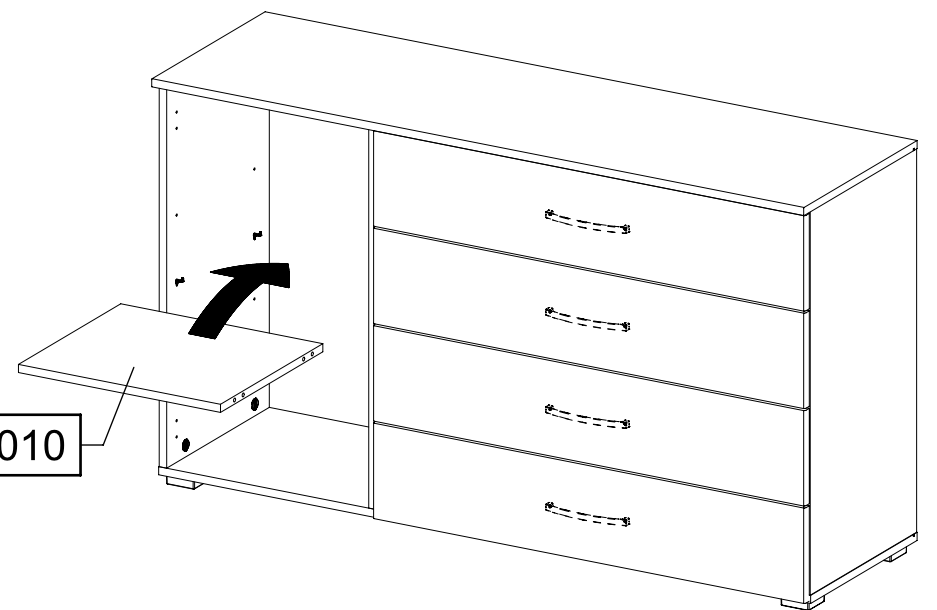
1105



WA010

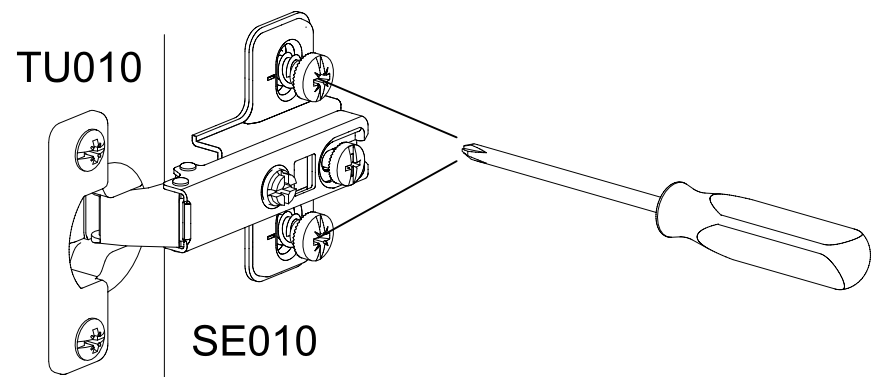
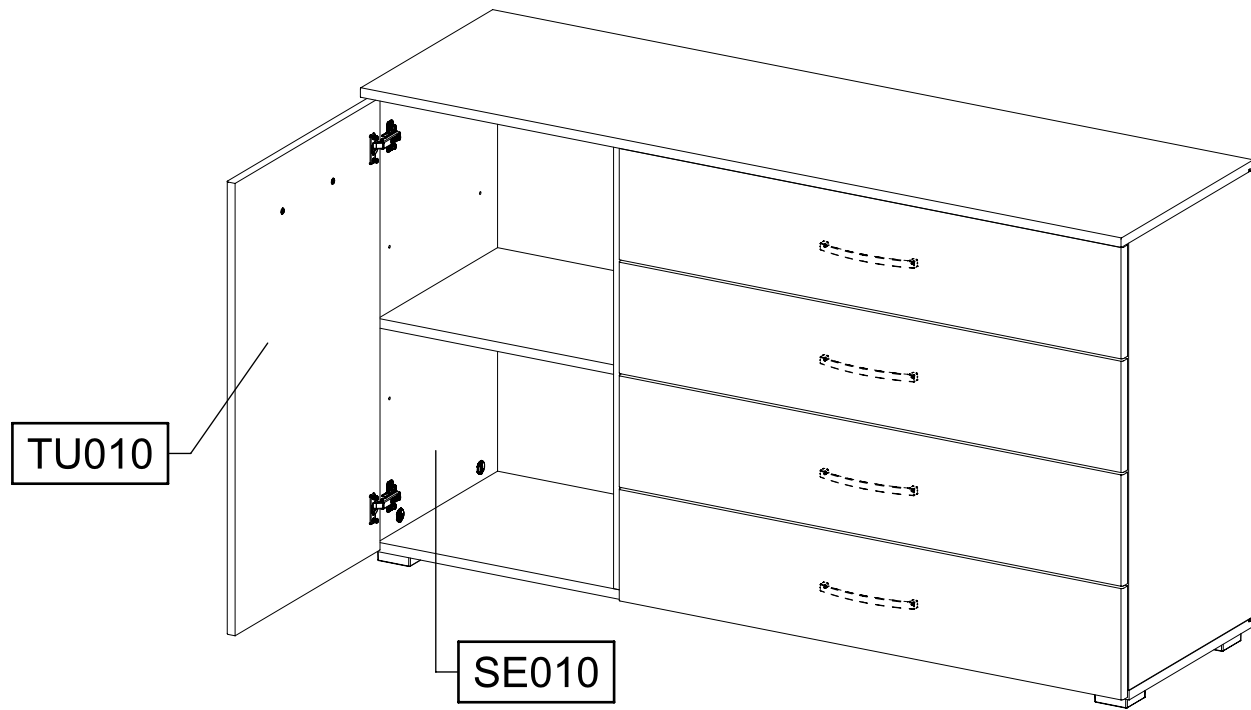
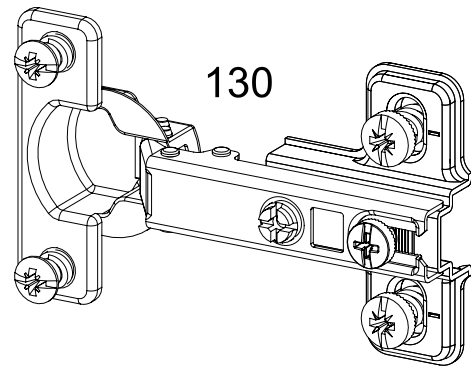
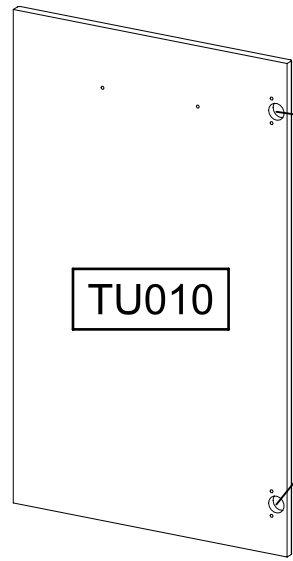
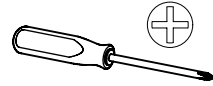
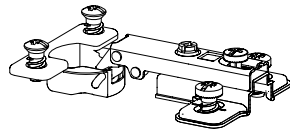
1105

WA010



30

2x 130



31

