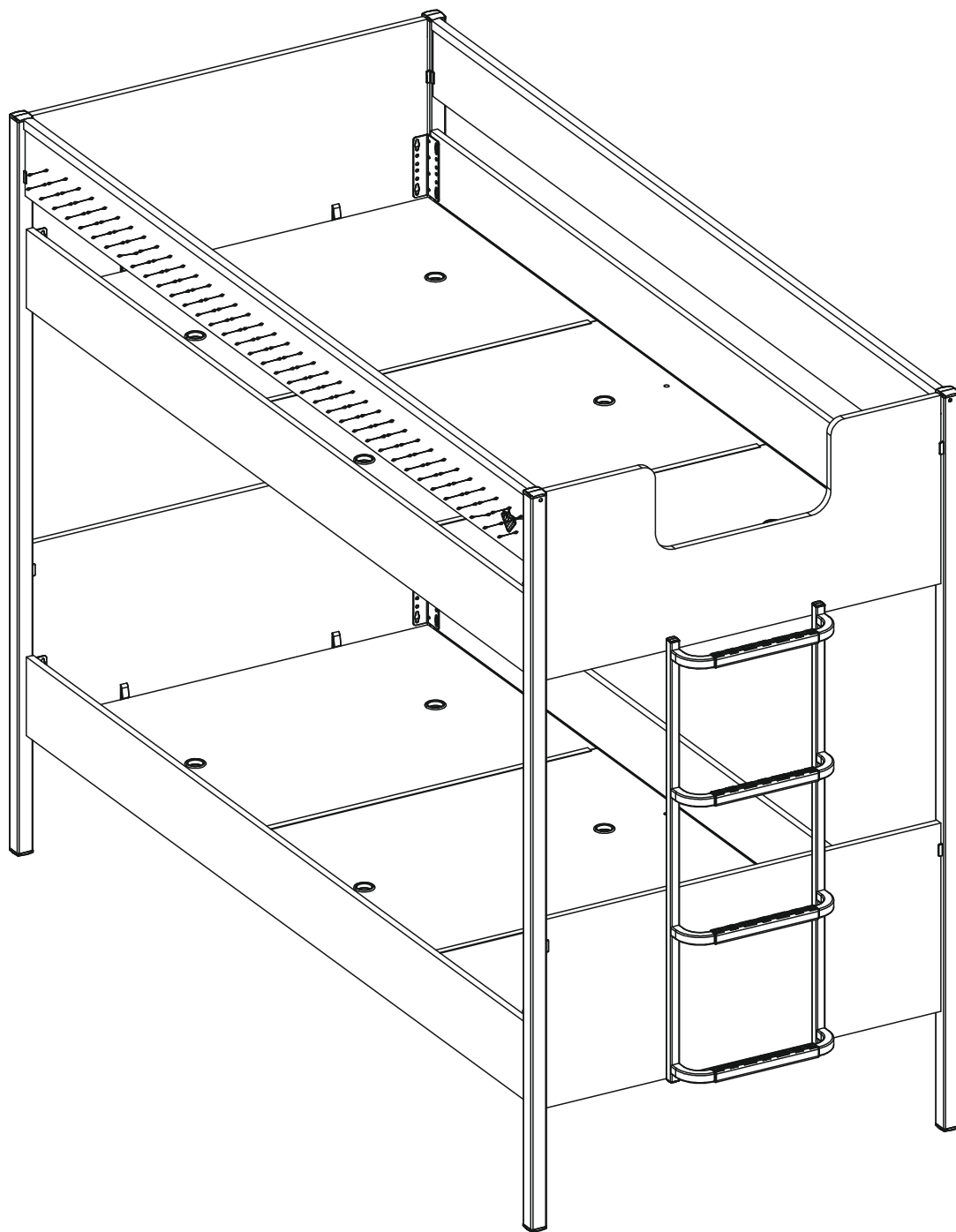
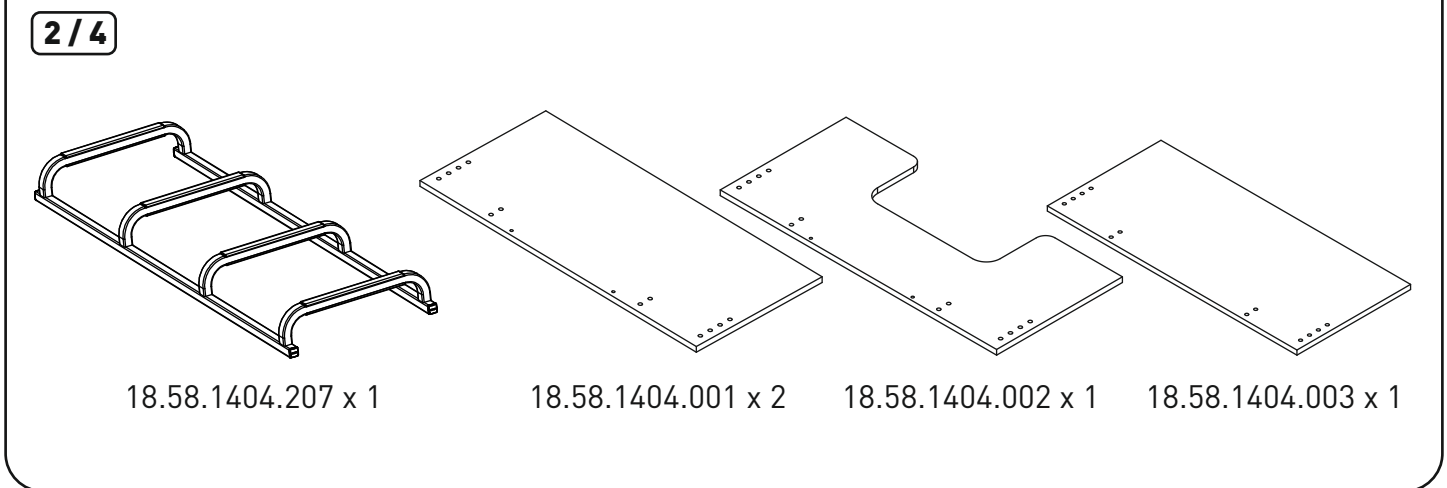
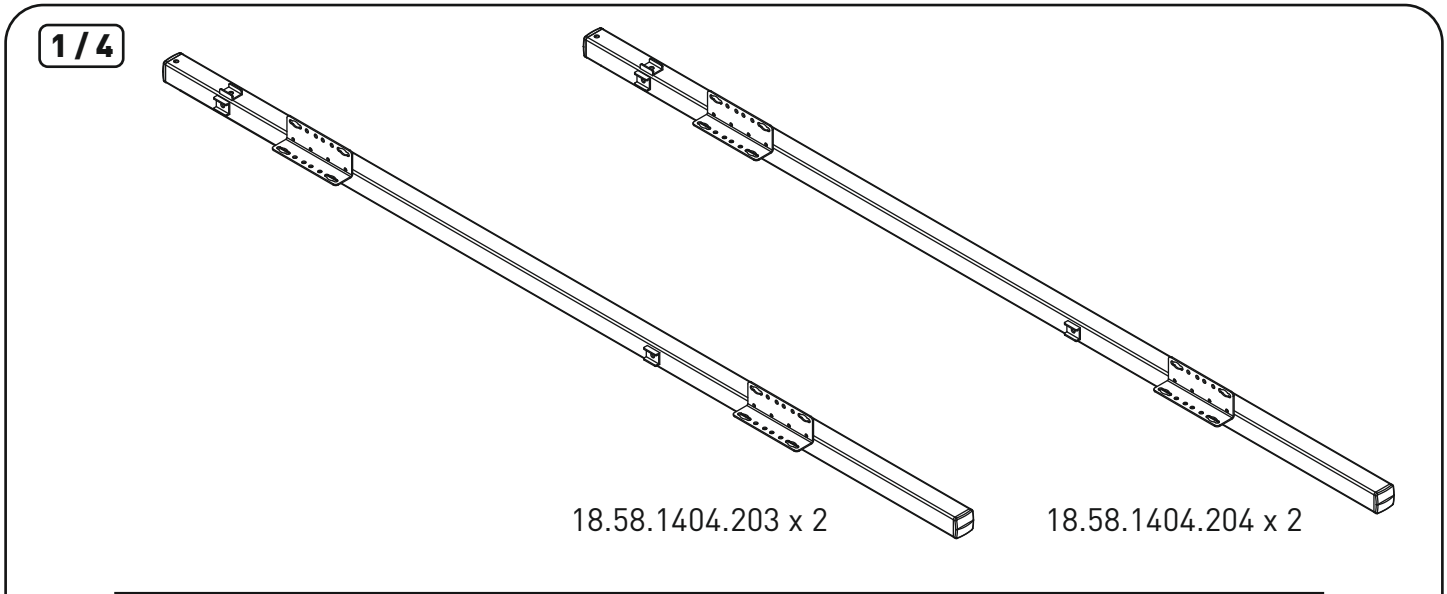
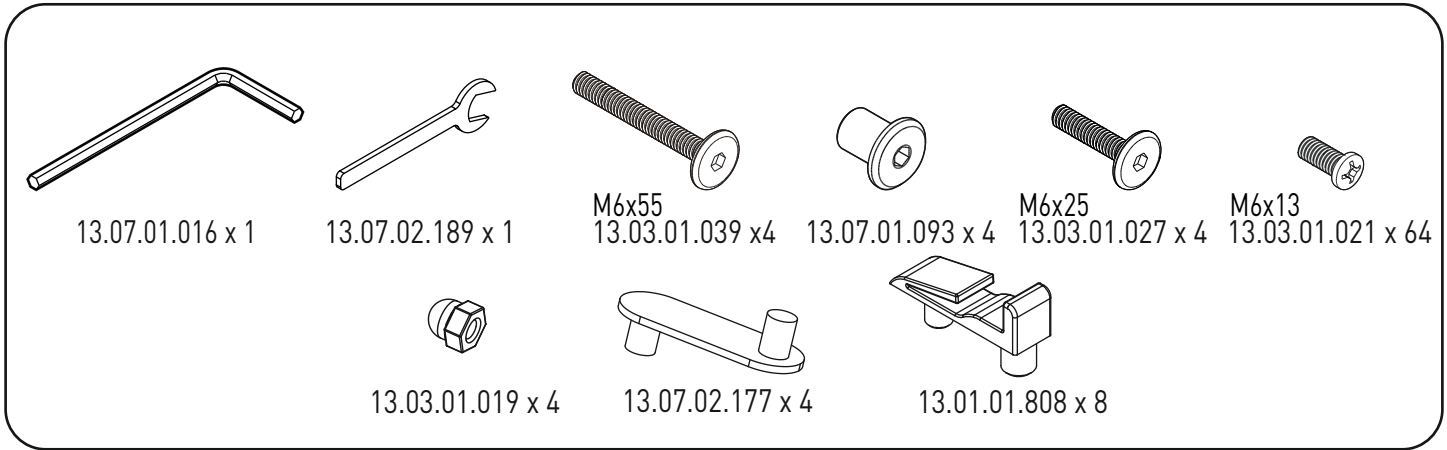
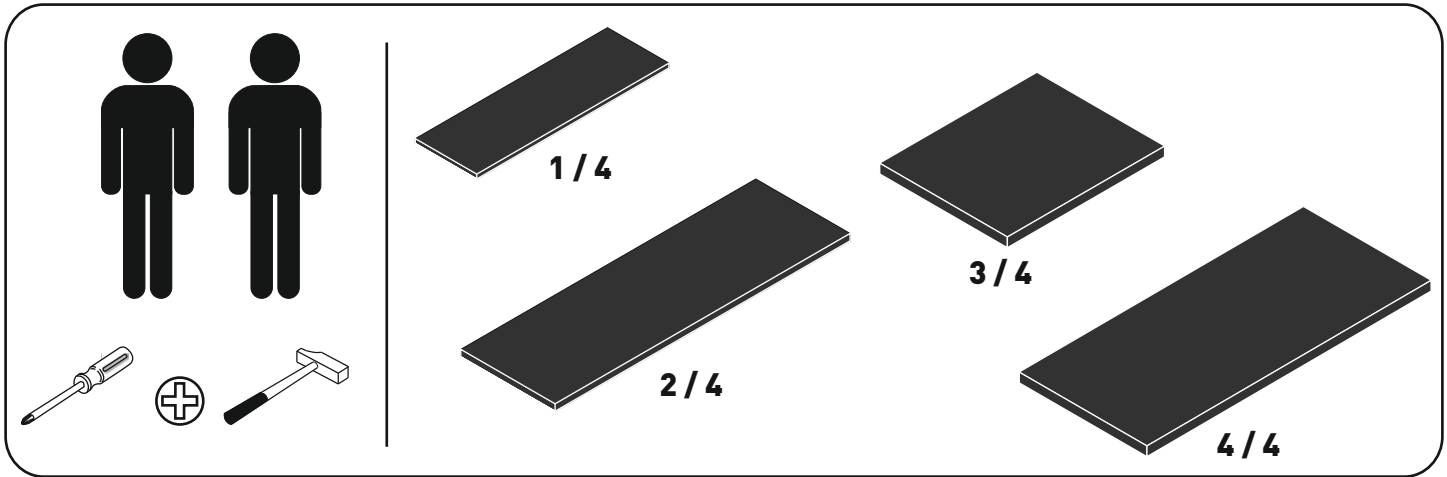
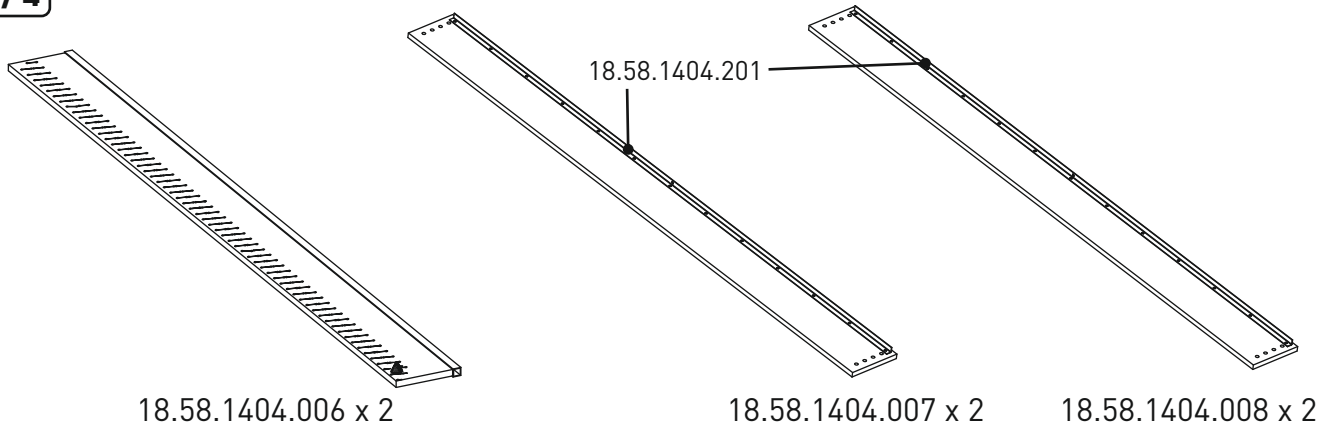


20.58.1404.00

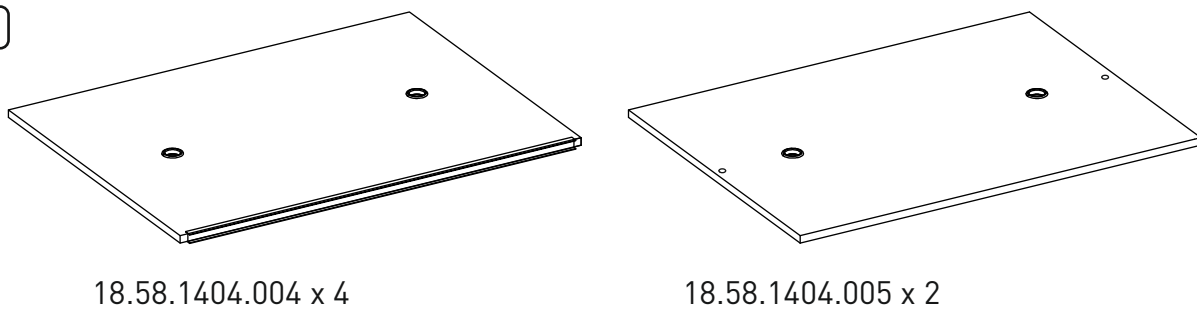




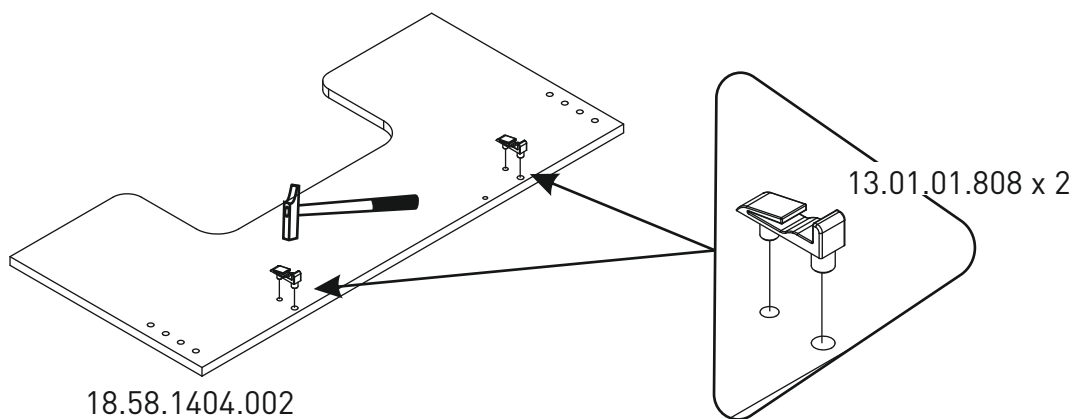
3/4



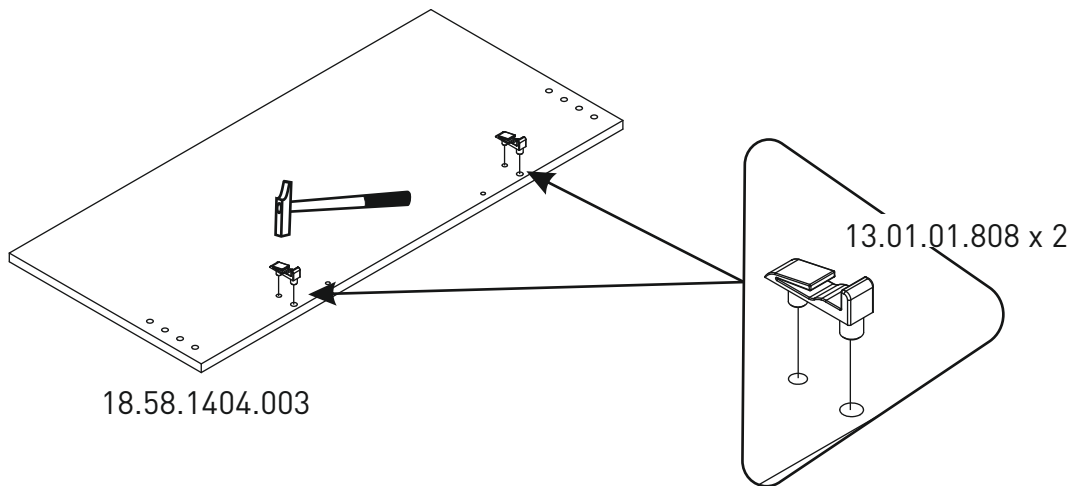
4/4



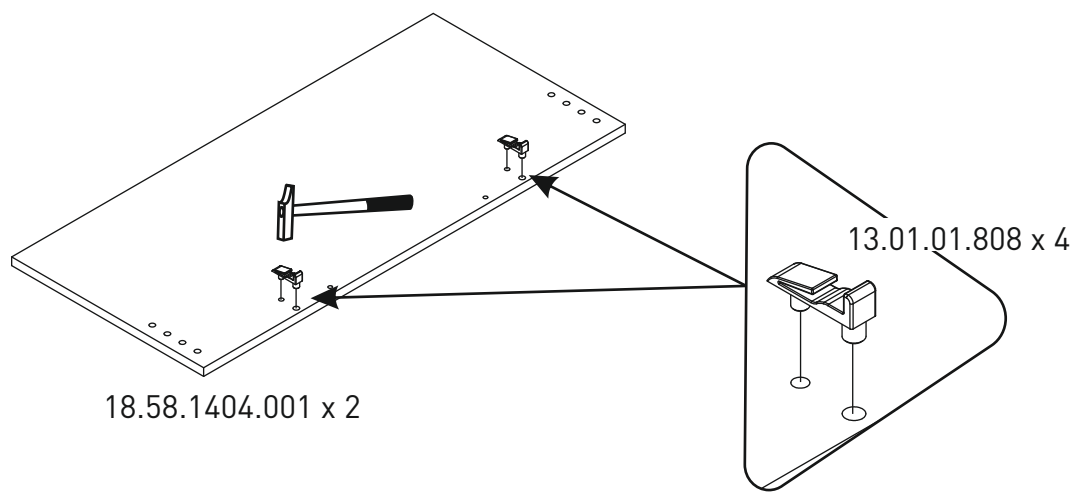
1



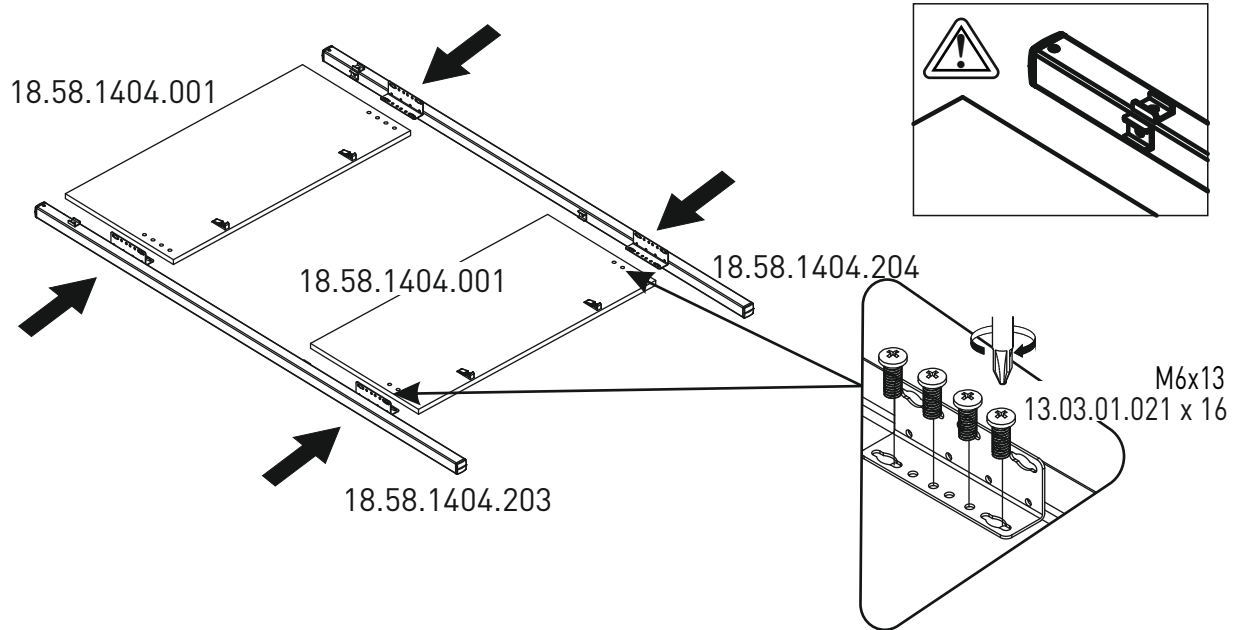
2



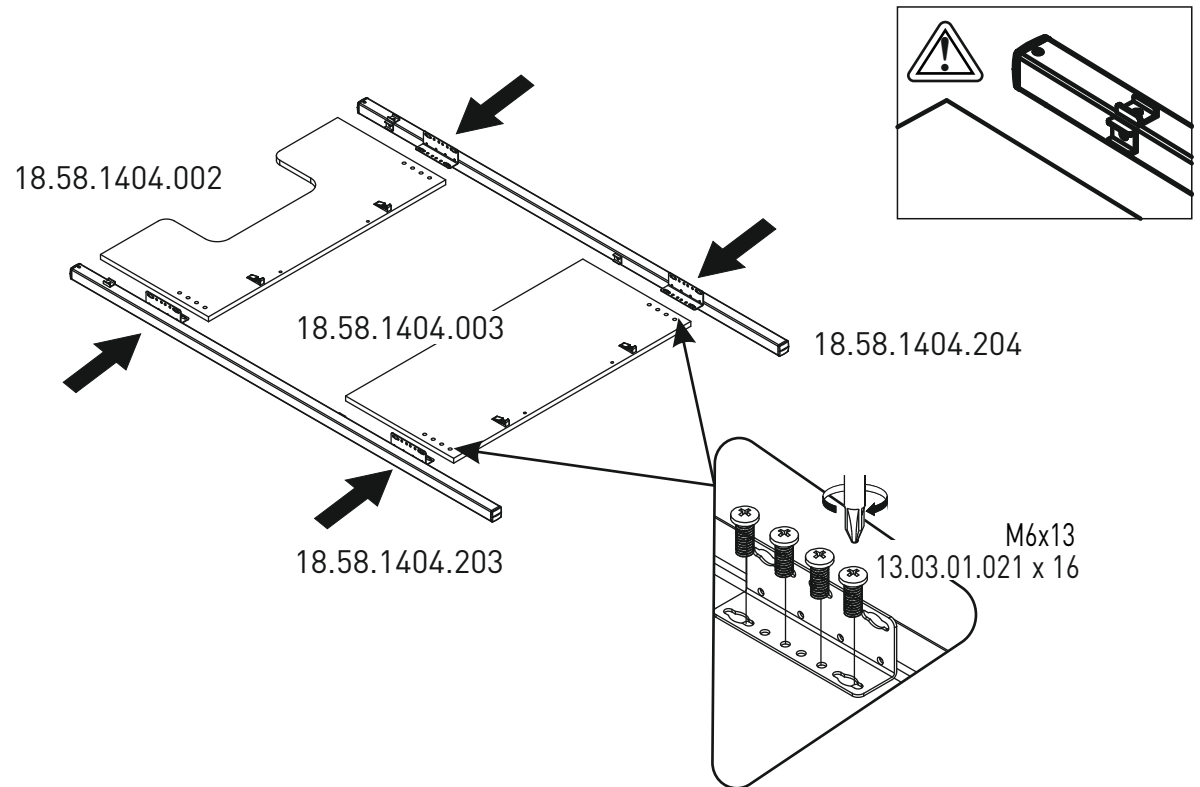
3



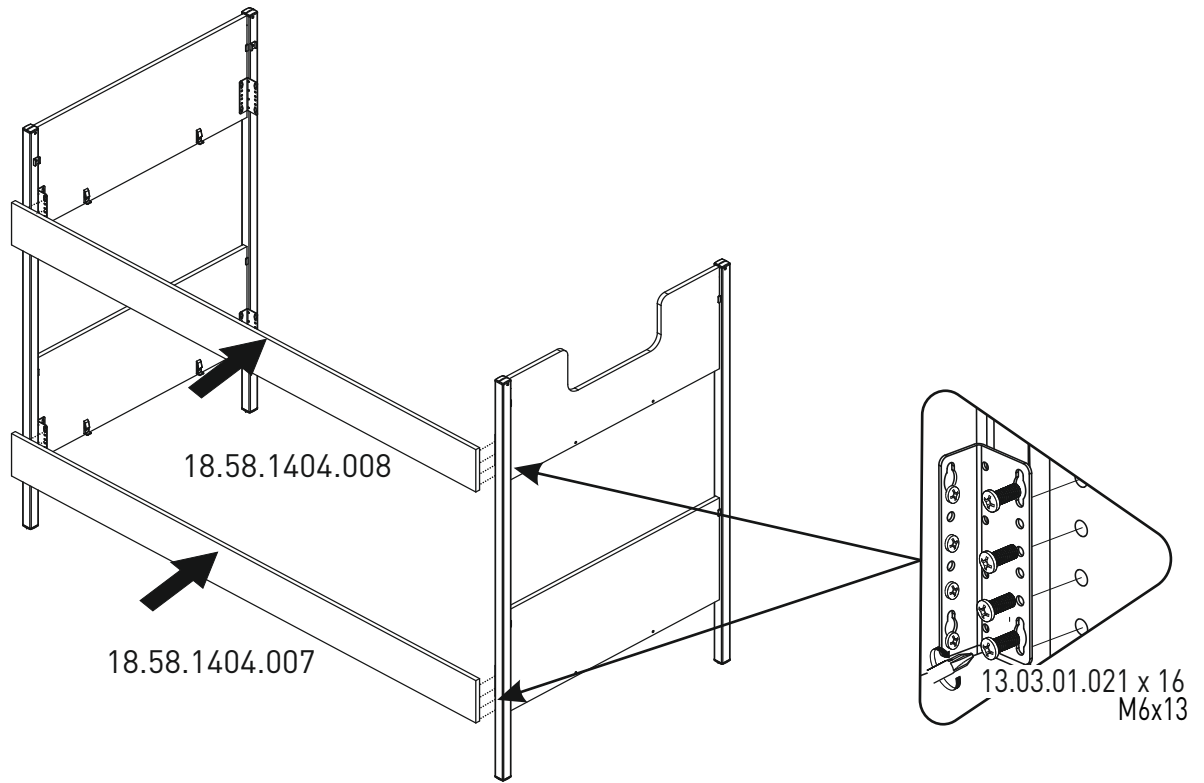
4



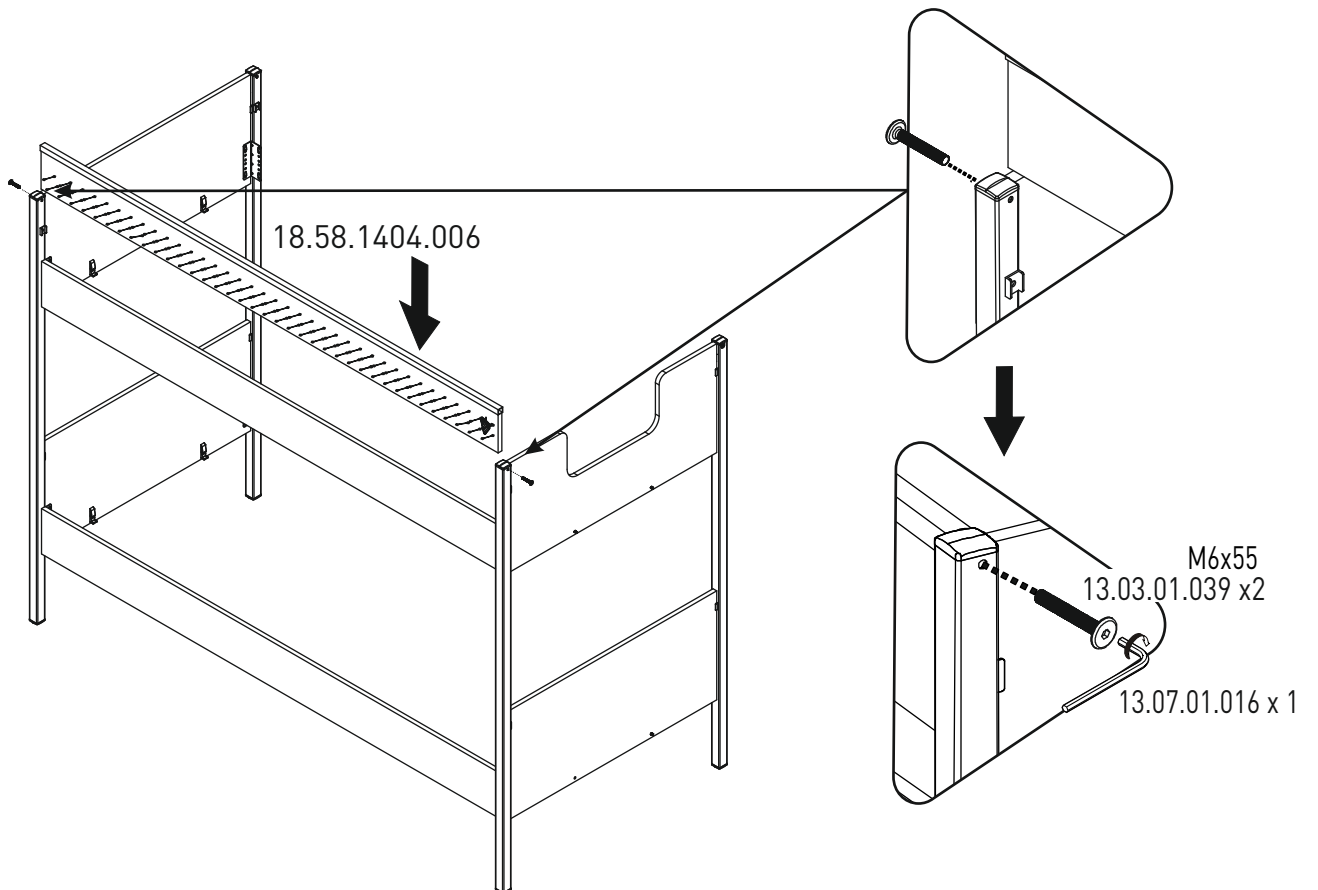
5



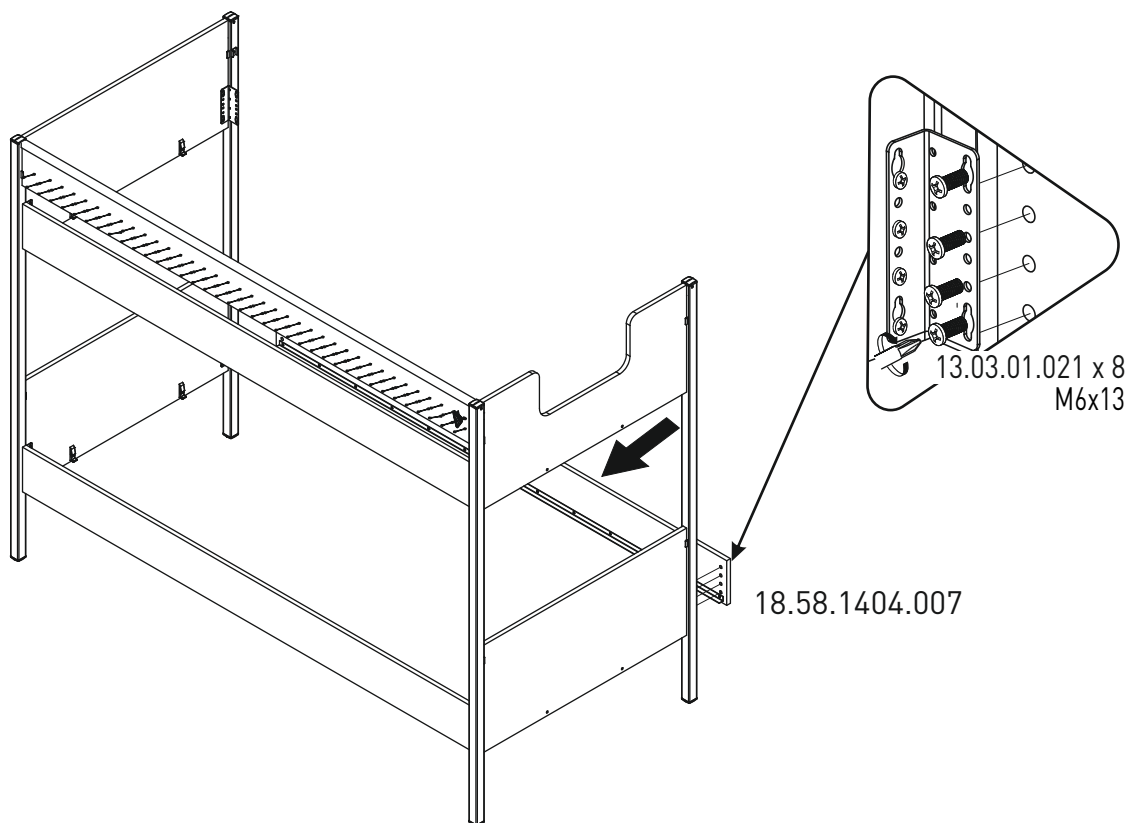
6



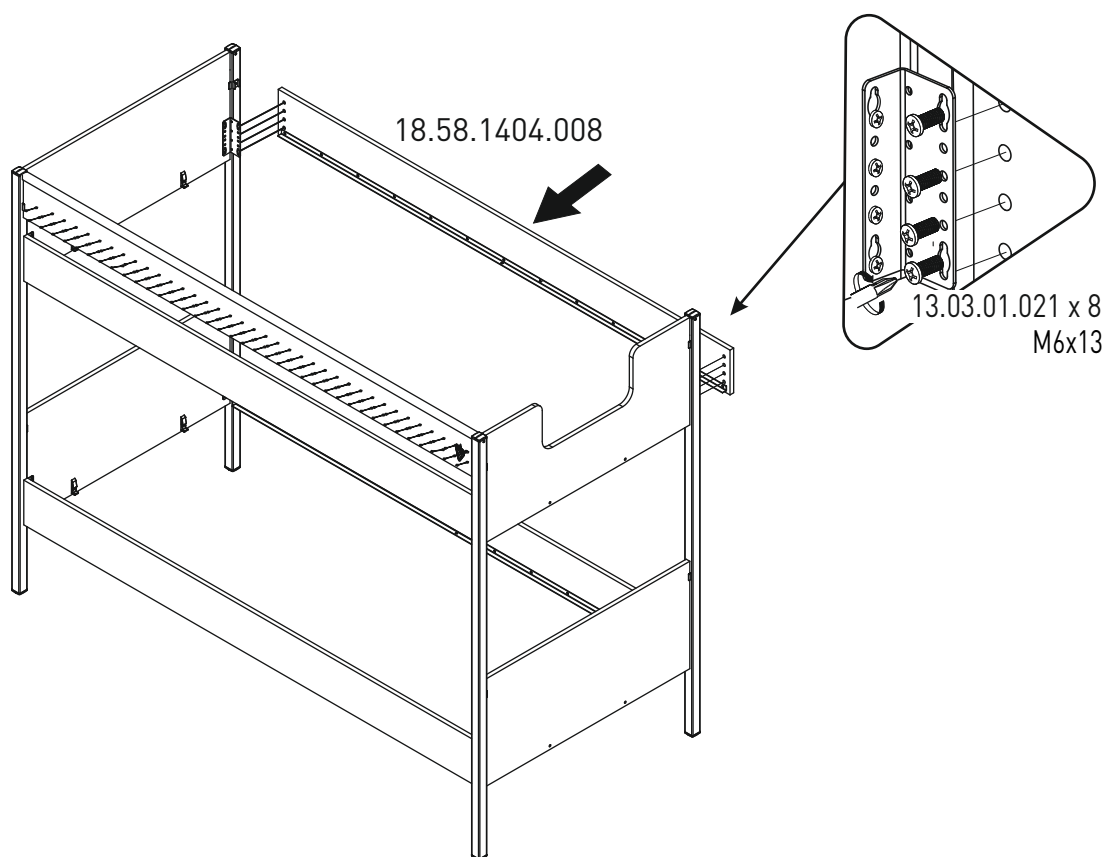
7



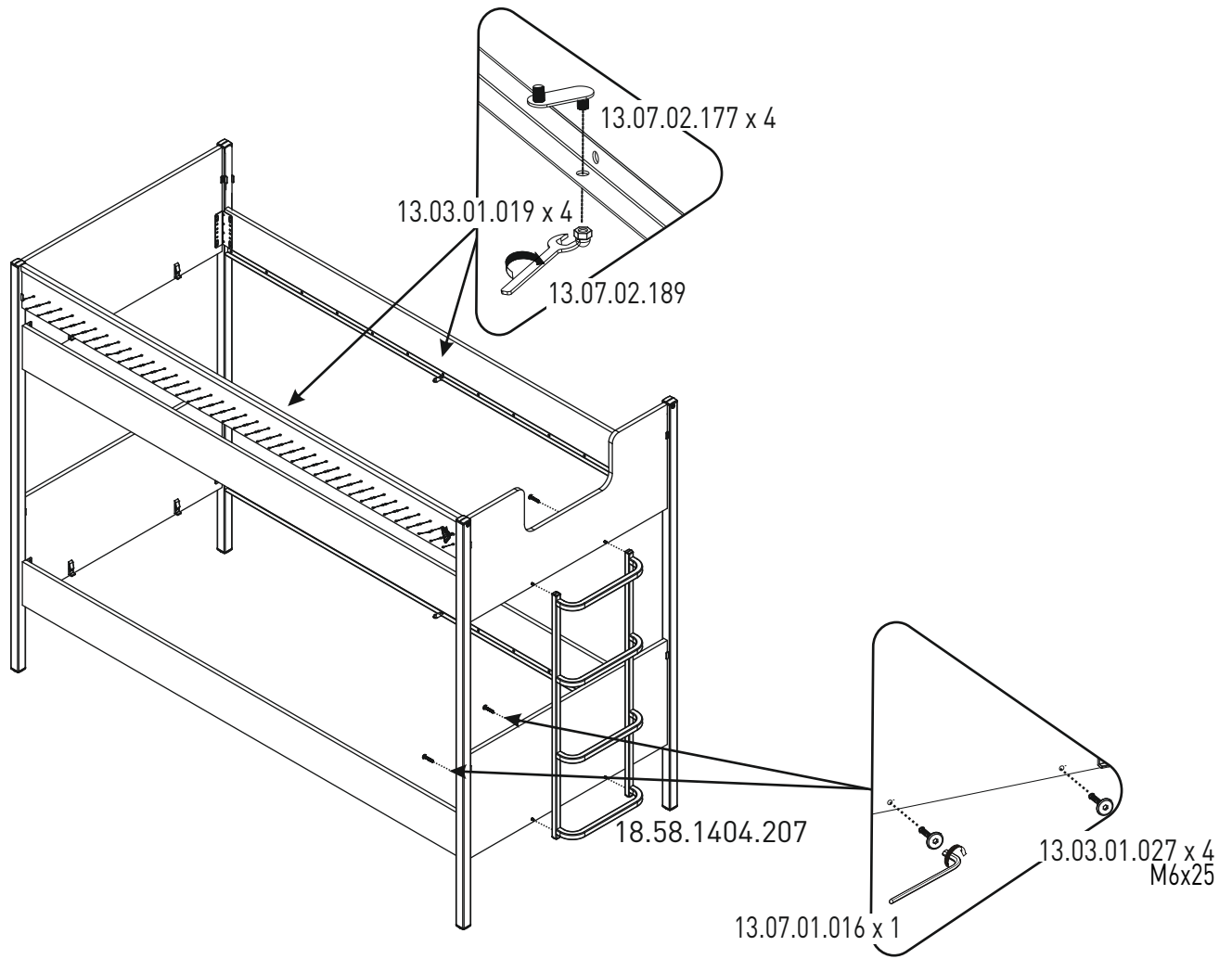
8



9



10



11

