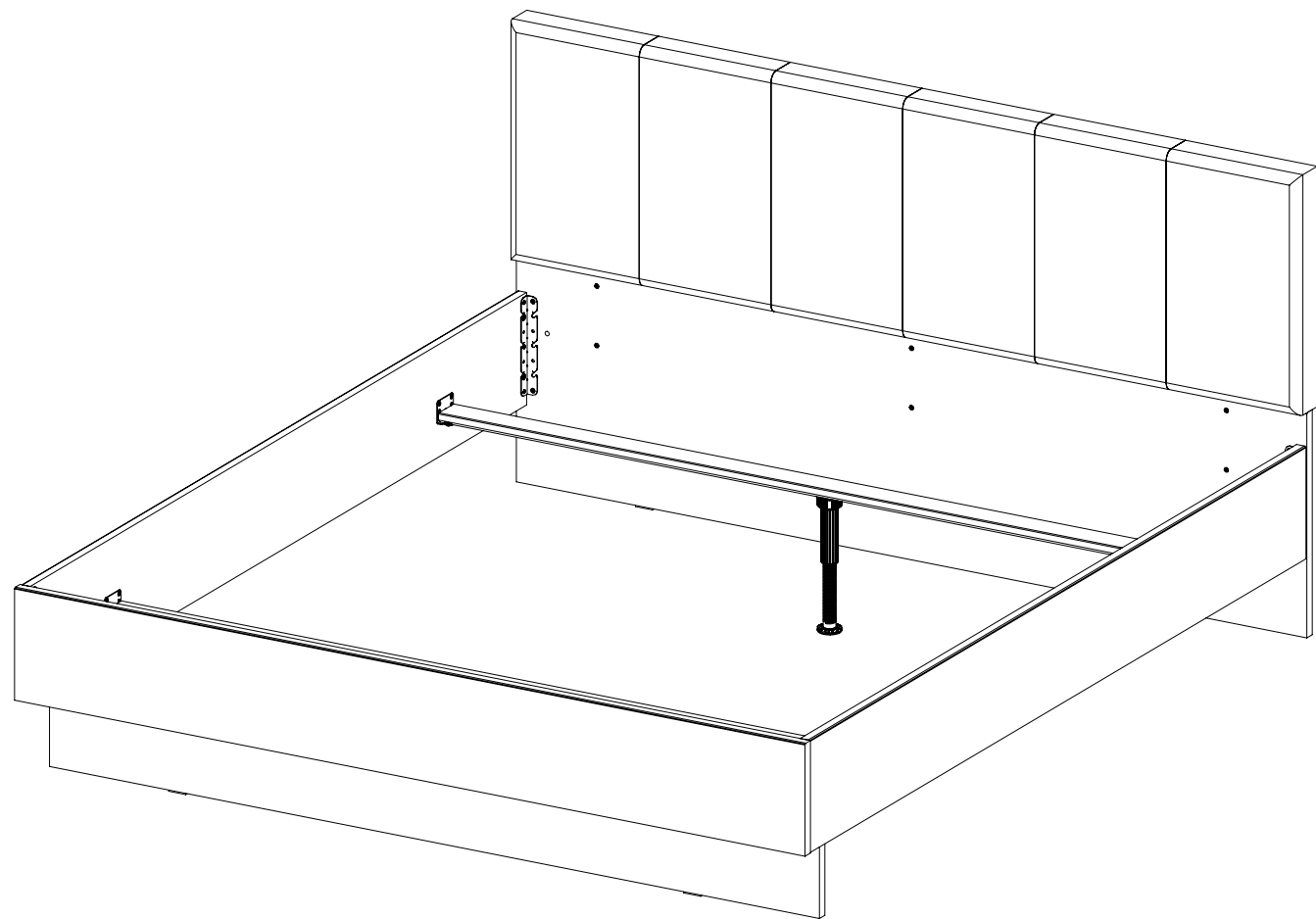
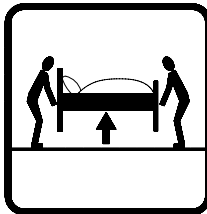
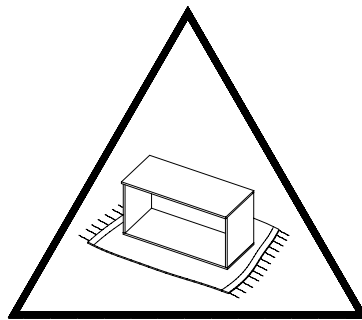
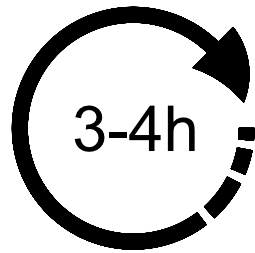
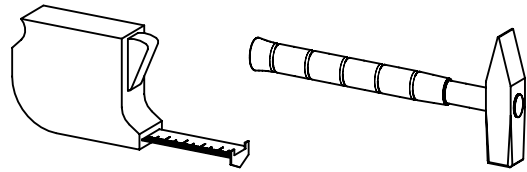
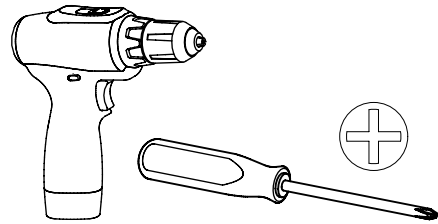
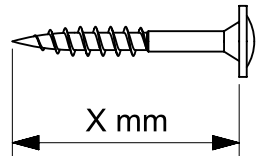
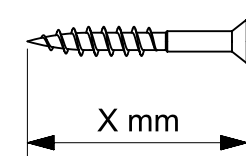
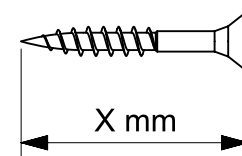
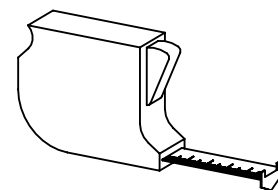


M2802_01

rauch

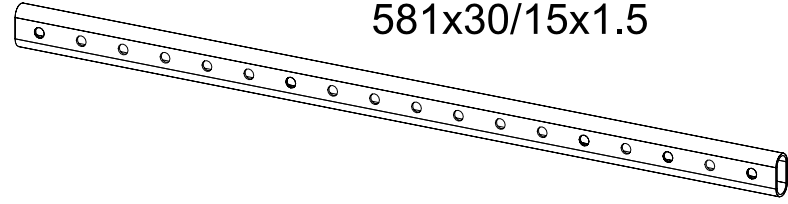


3x 24 	22x 25 6,3x18 	4x 56 M4x32
3x 114 	4x 127 40x20x3 	4x 176 M4
8x 200 6,3x14 	36x 202 4,5x16 	6x 204 M6x30
3x 252 4x27 	6x 427 4x20 	4x 456 212x25x25
10x 580 M4 	4x 698 	4x 856
6x 898 M4x45 	4x 915 M4x16 	
2x 1118 	2x 1119 	

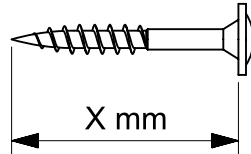
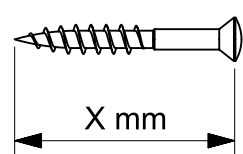
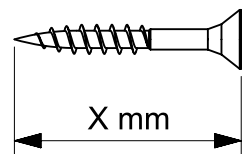
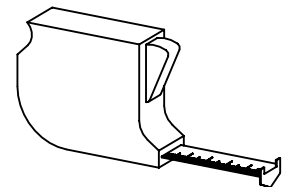


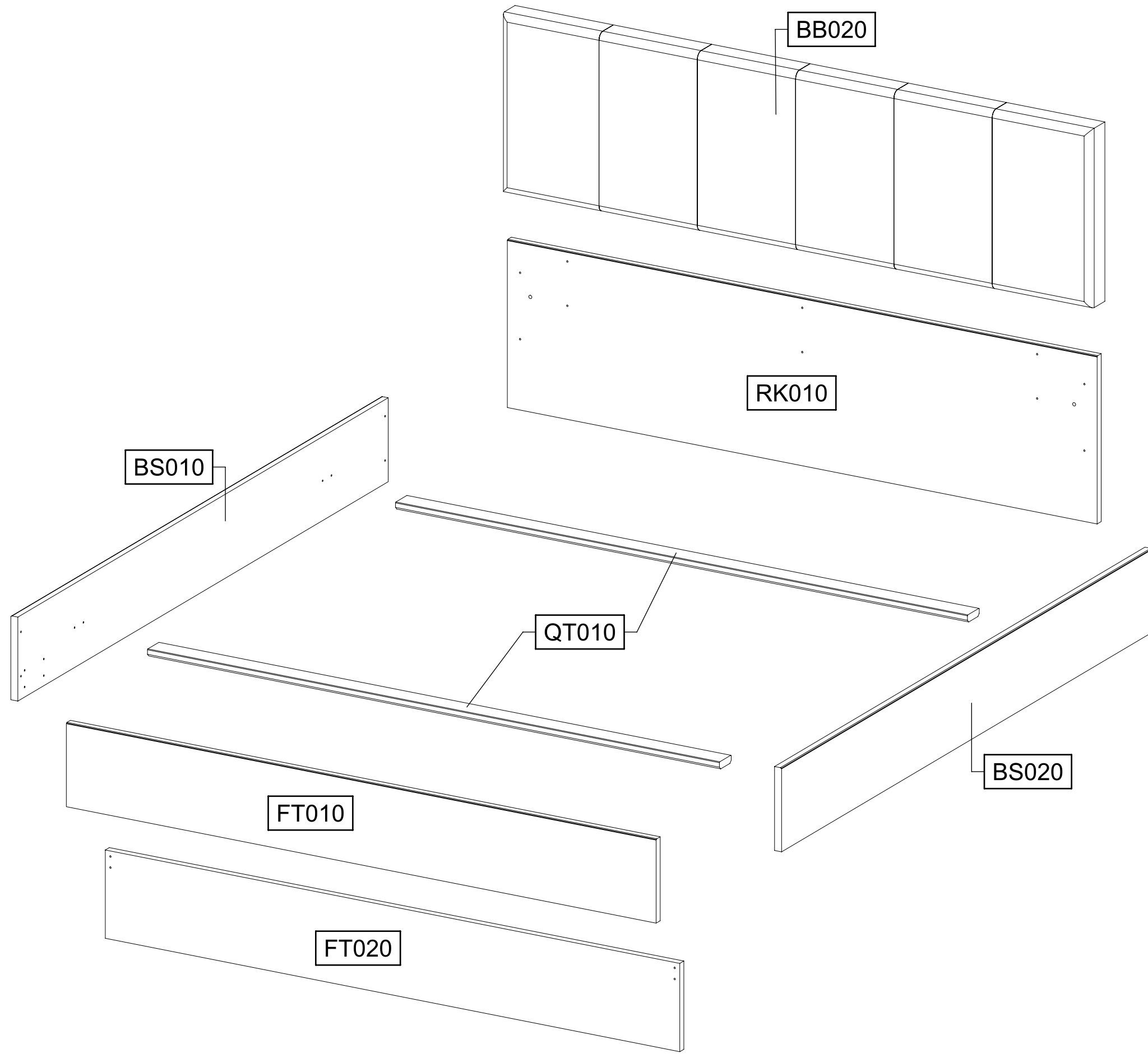
3x

581x30/15x1.5



1121





1

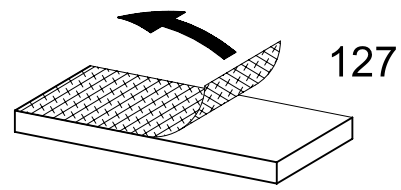
2x

127

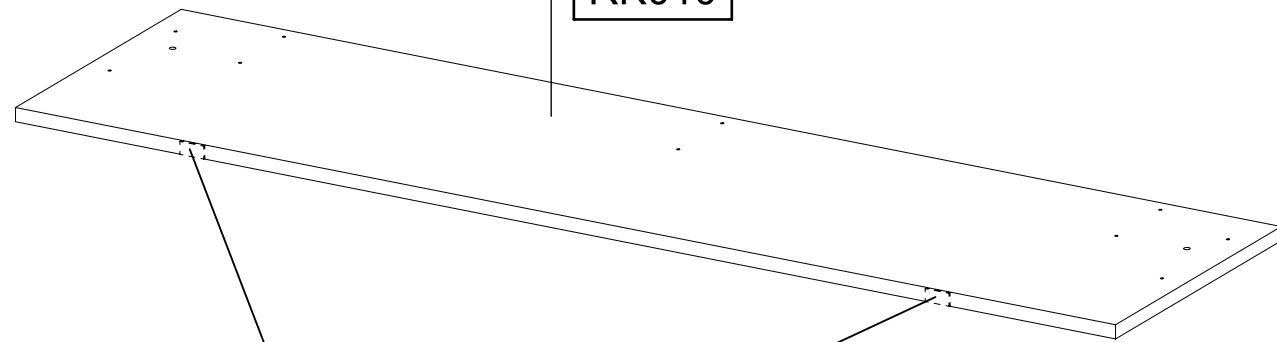
40x20x3



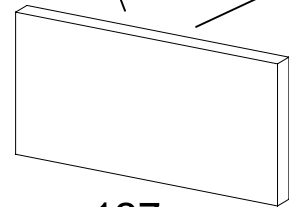
1.



RK010



2.



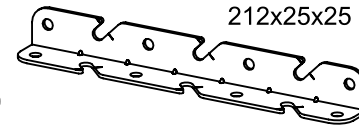
127

2

2x

456

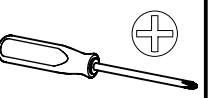
212x25x25



4x

580

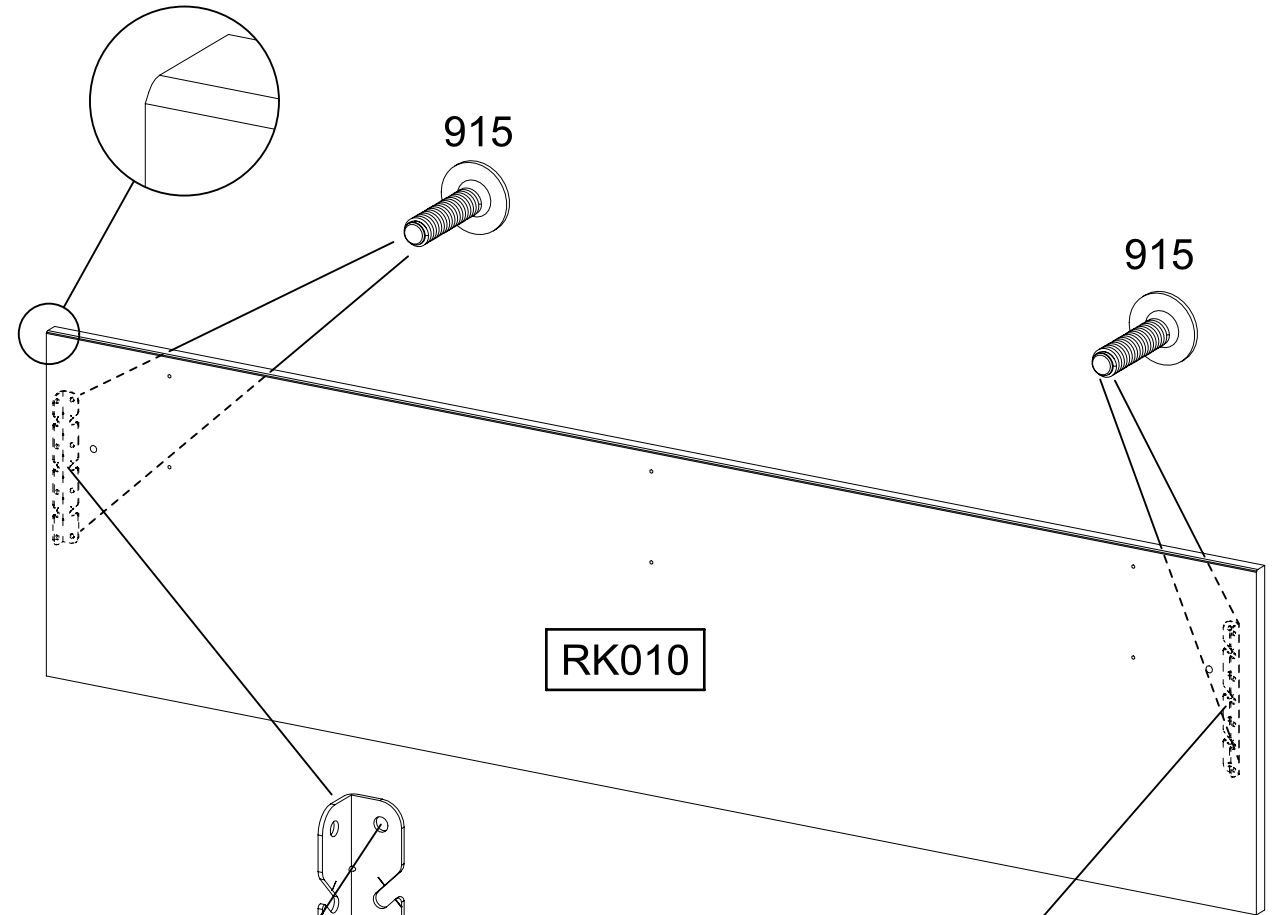
M4



4x

915

M4x16



RK010

456

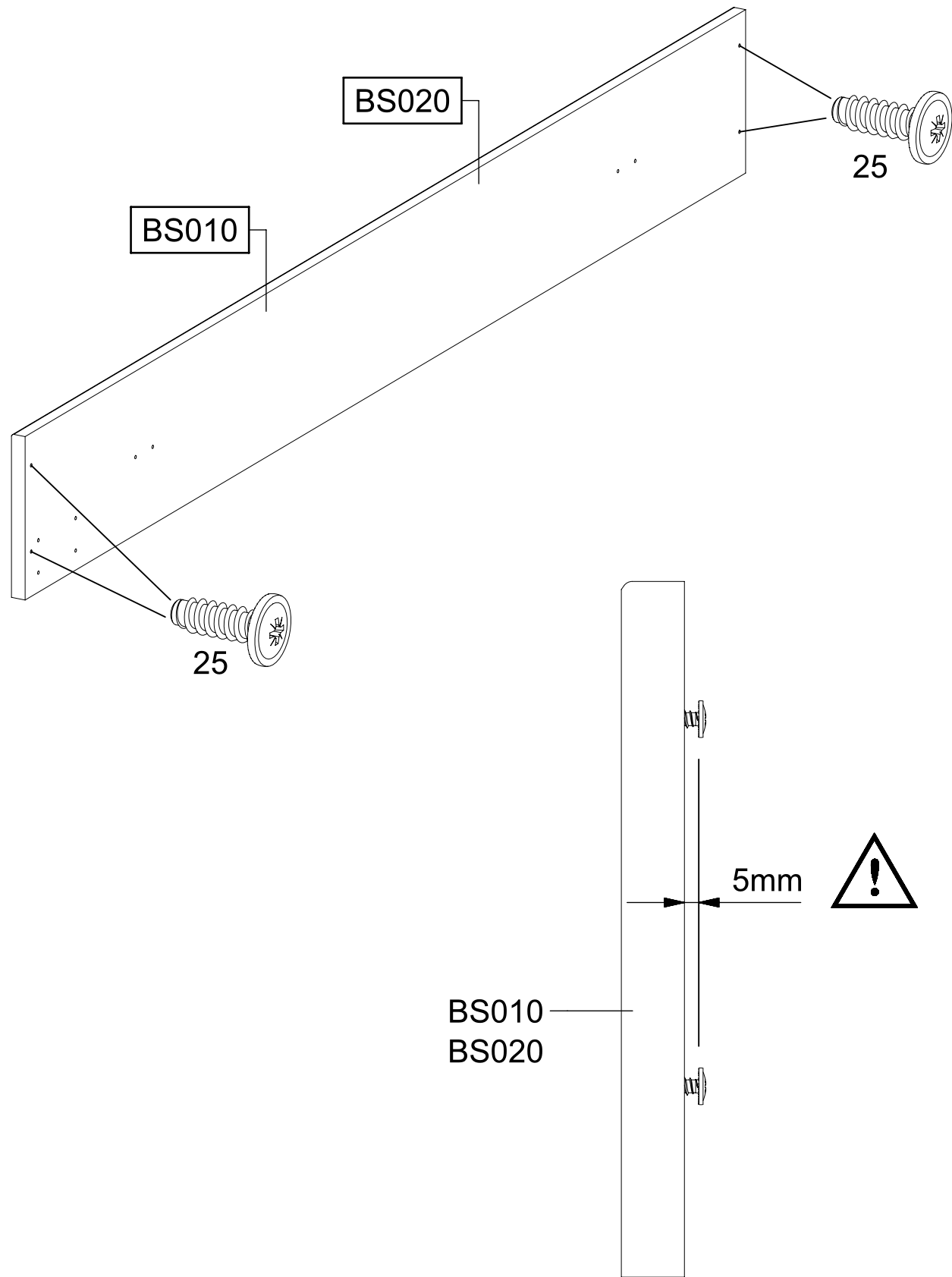
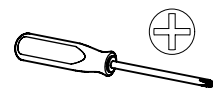
580

456

580

3

8x 6,3x18
25

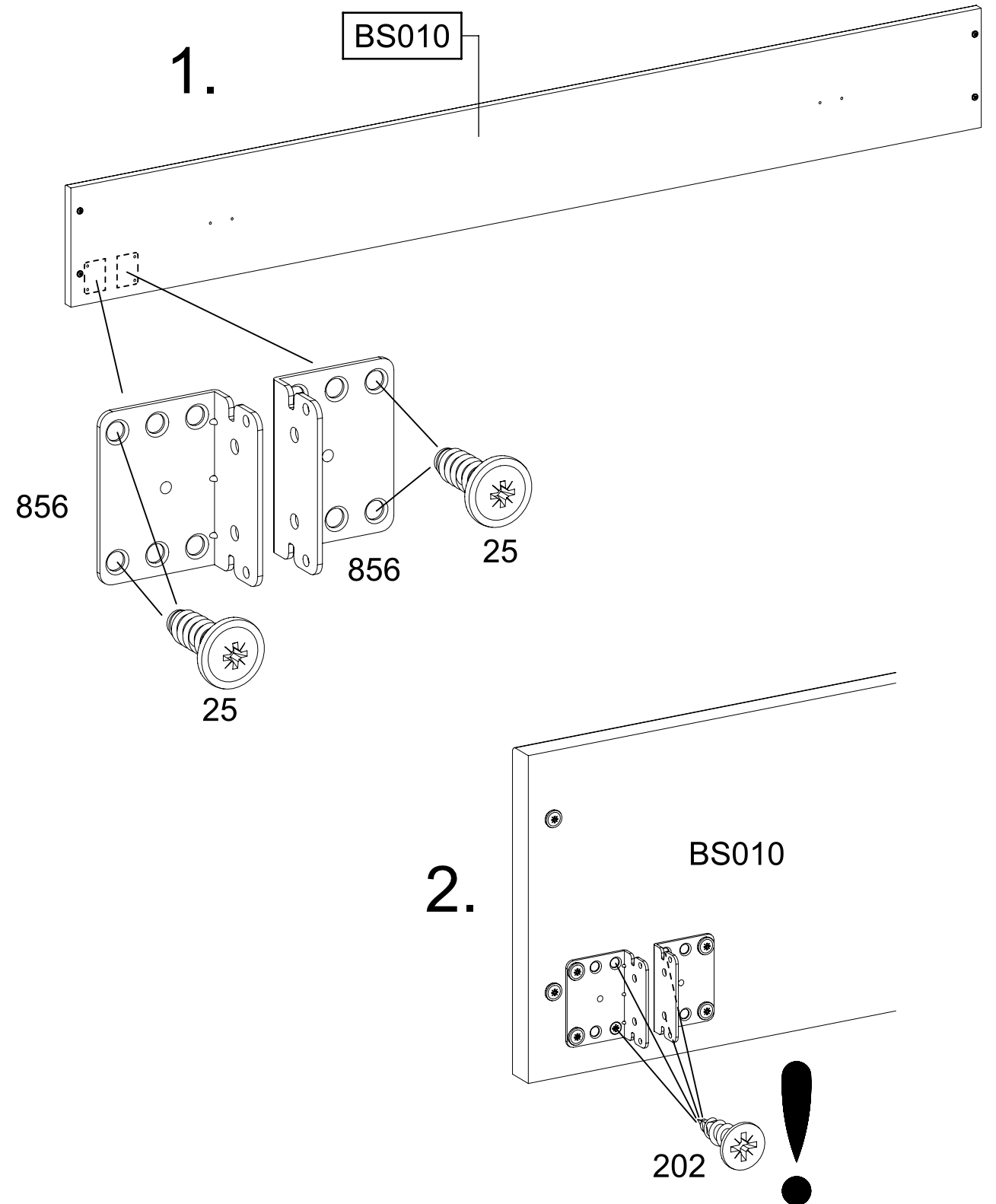
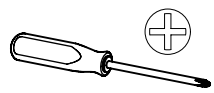
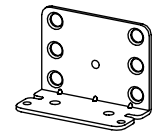


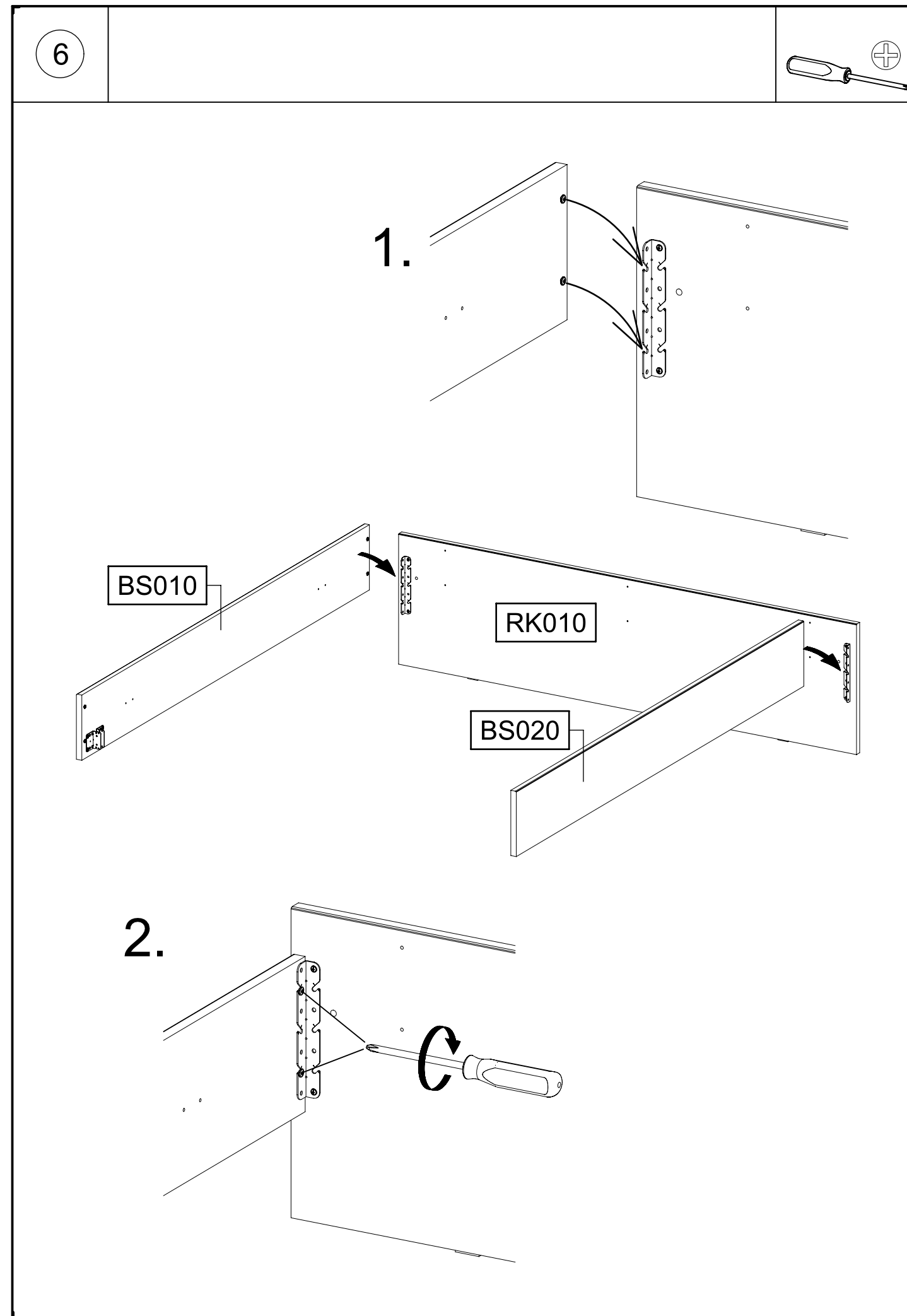
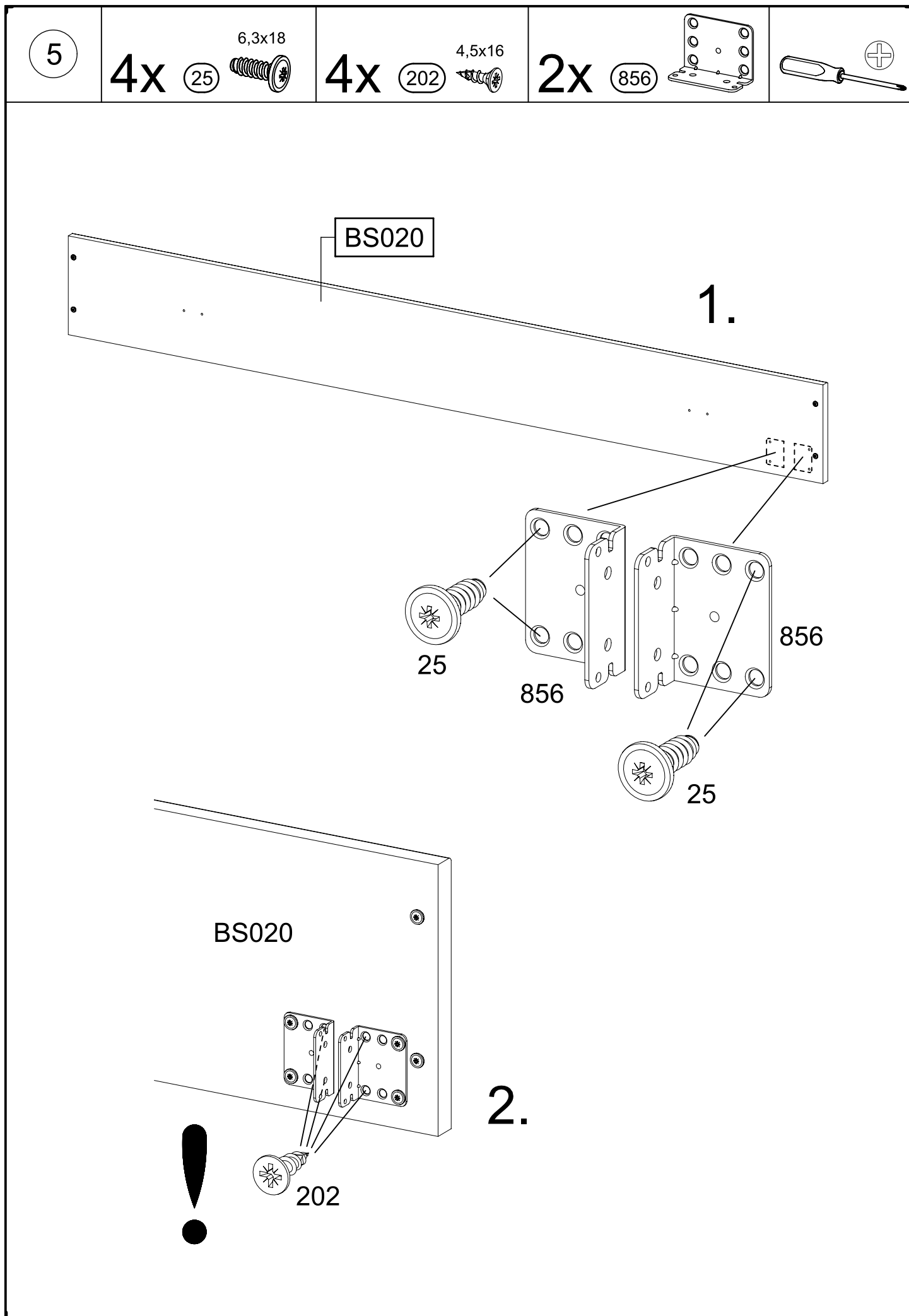
4

4x 6,3x18
25

4x 4,5x16
202

2x 856





7

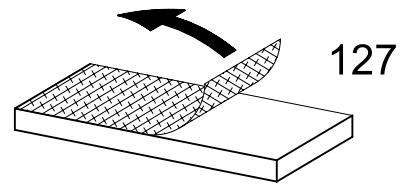
2x

127

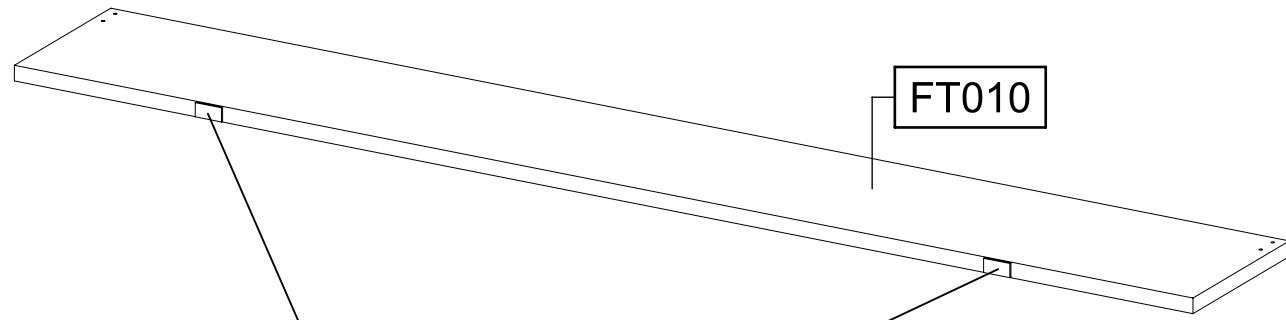
40x20x3



1.

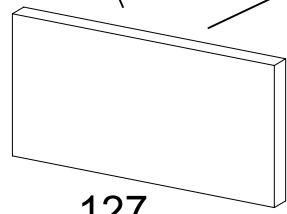


127



FT010

2.



127

8

4x

56

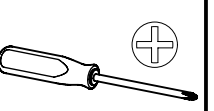
M4x32



4x

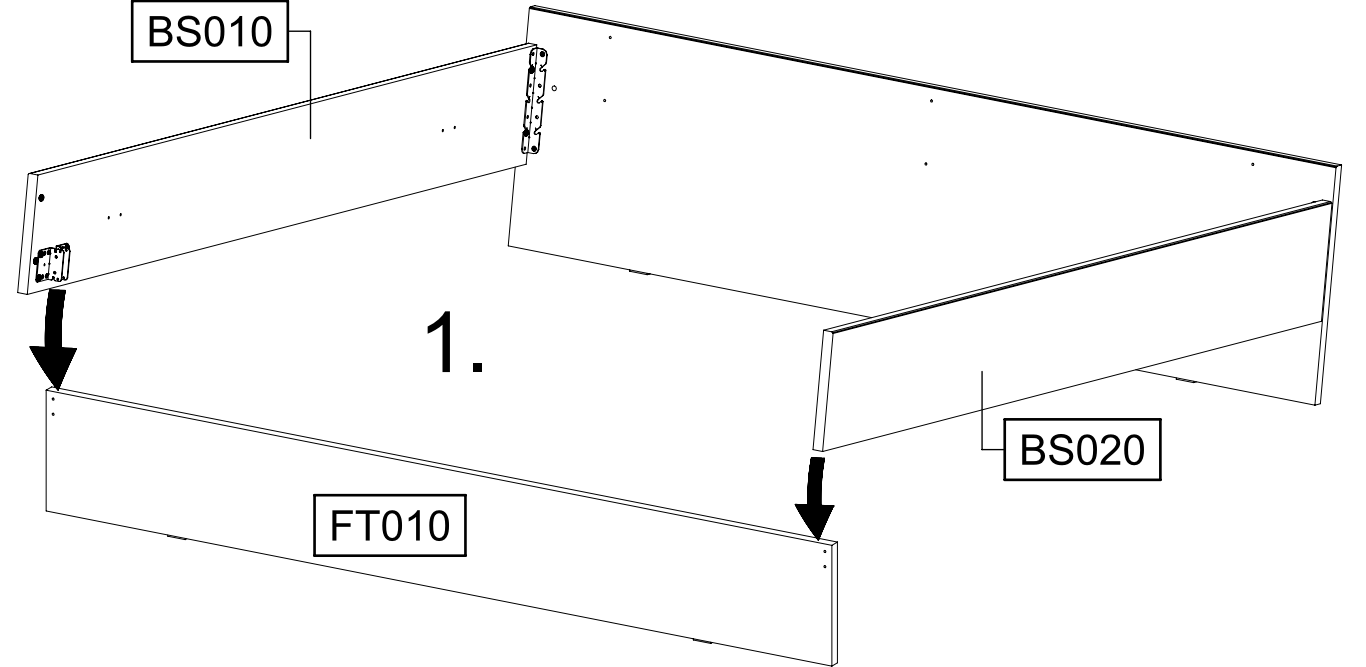
176

M4



BS010

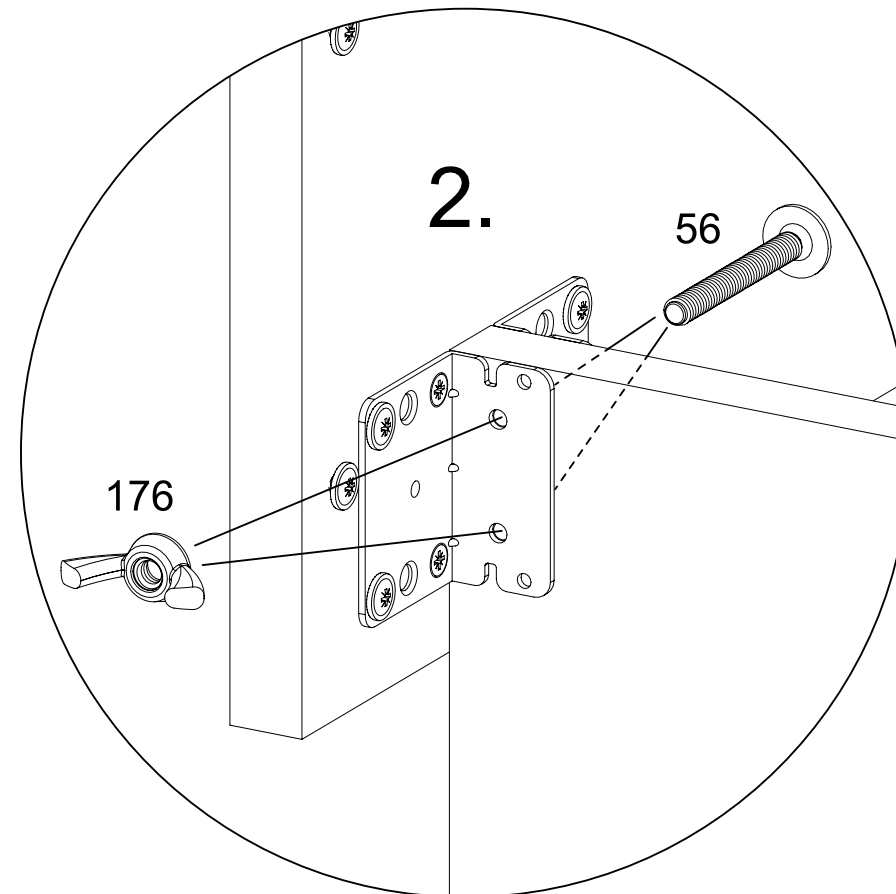
1.



BS020

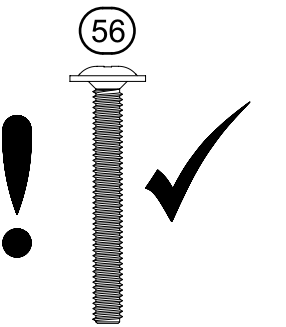
FT010

2.

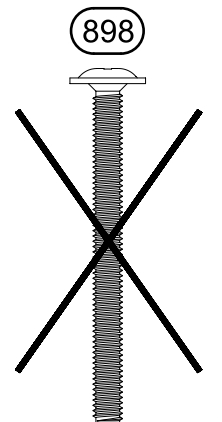


176

56



M4x32



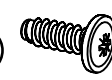
M4x45

9

6x

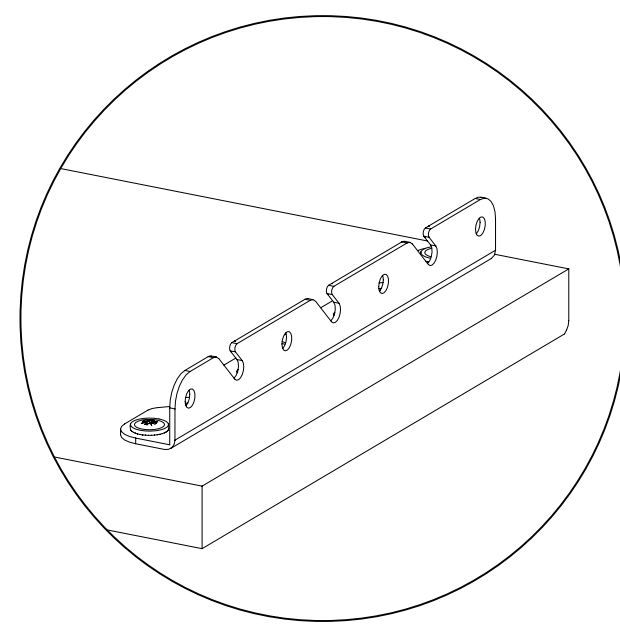
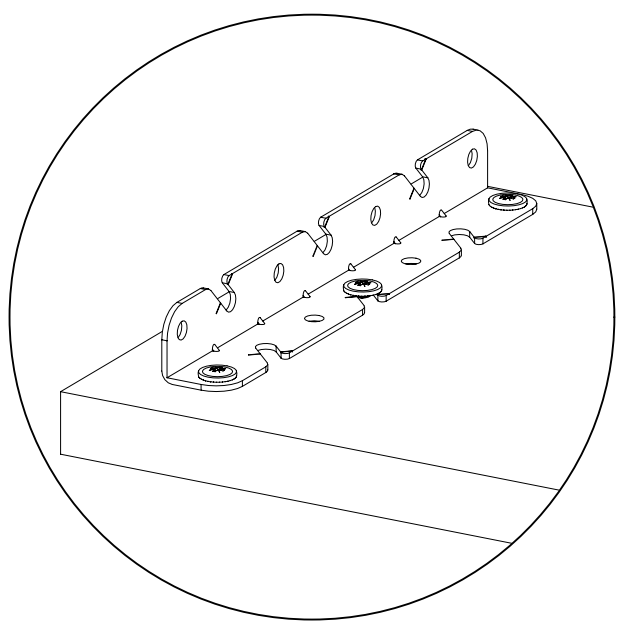
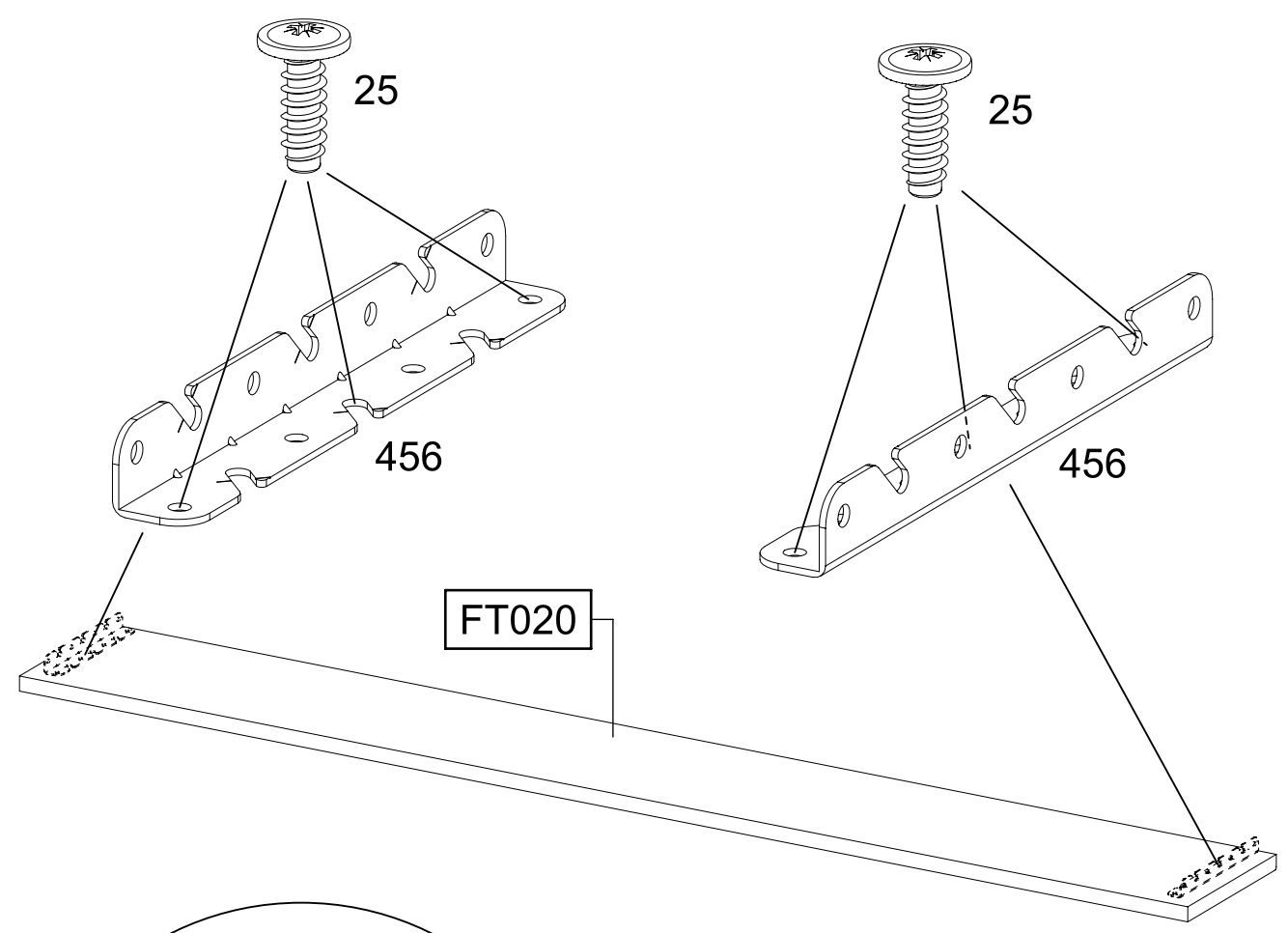
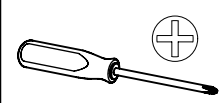
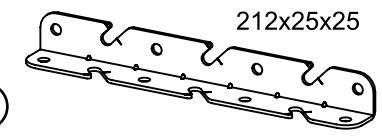
6,3x18

25

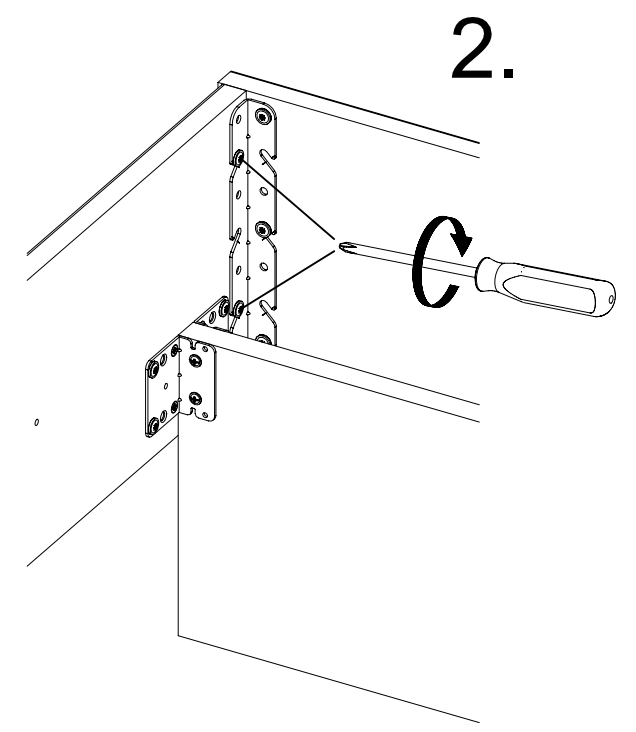
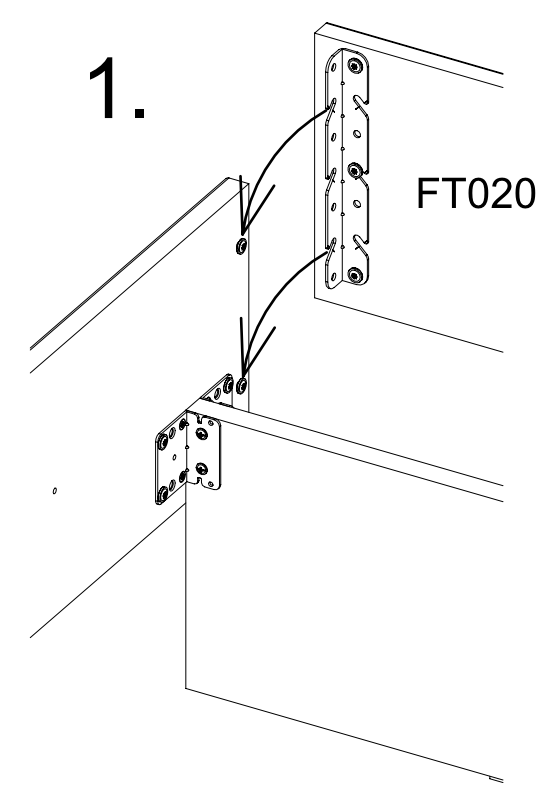
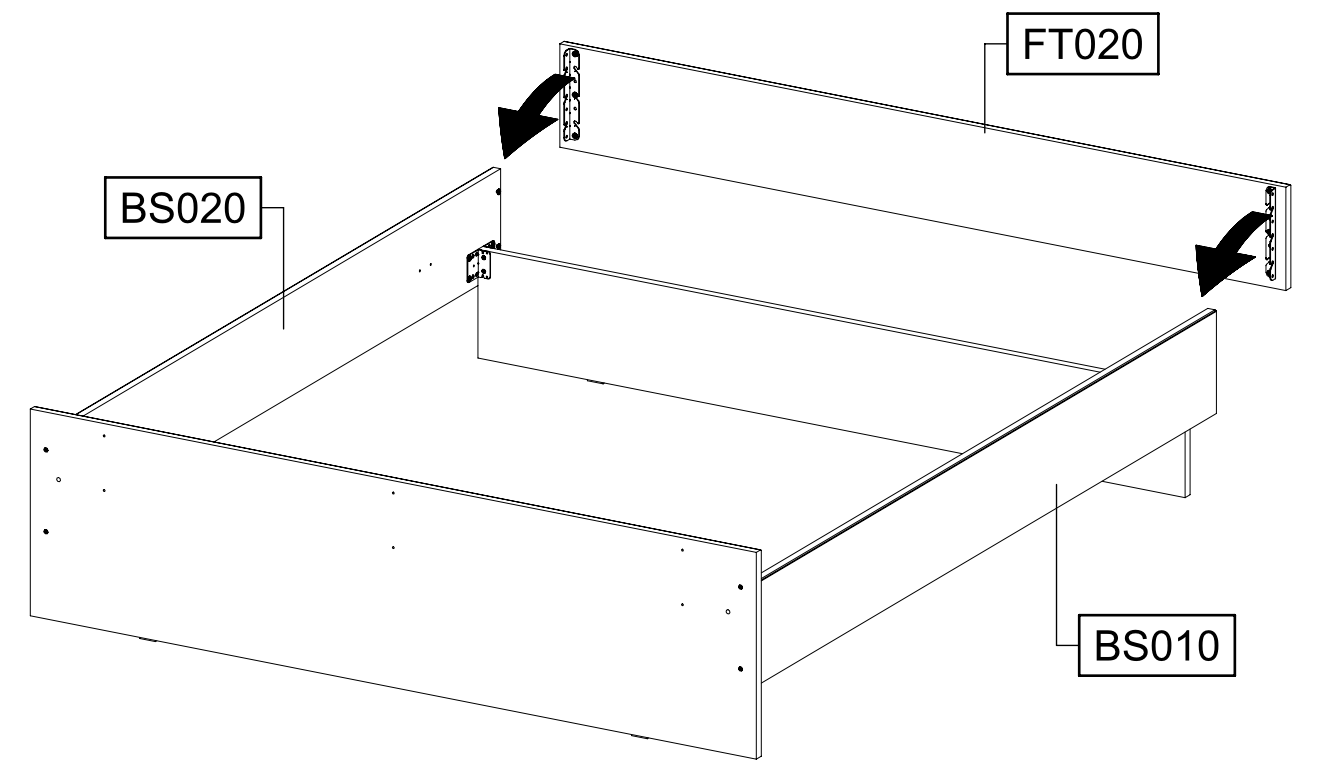
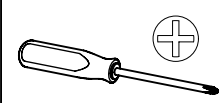


2x

456



10

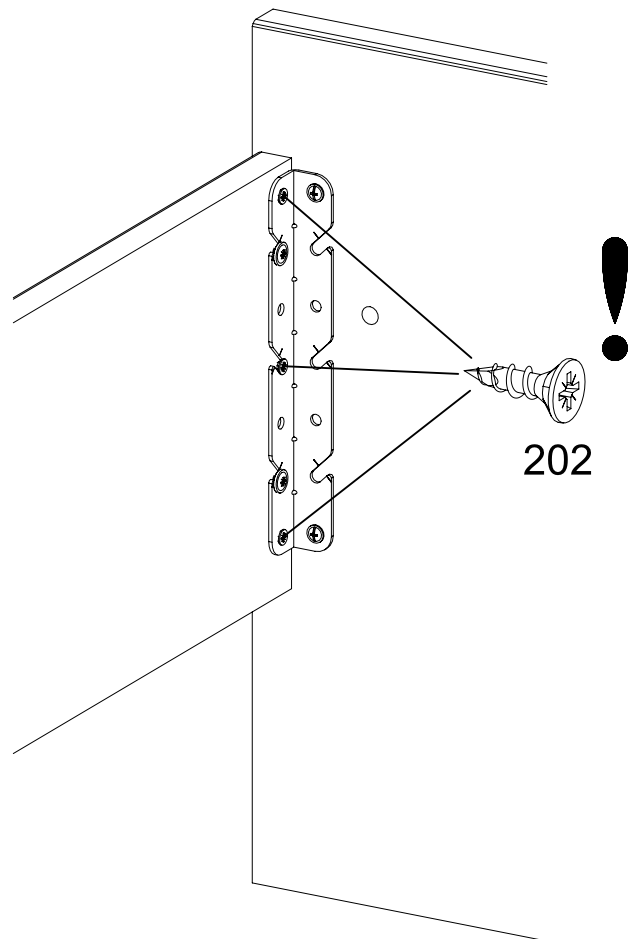
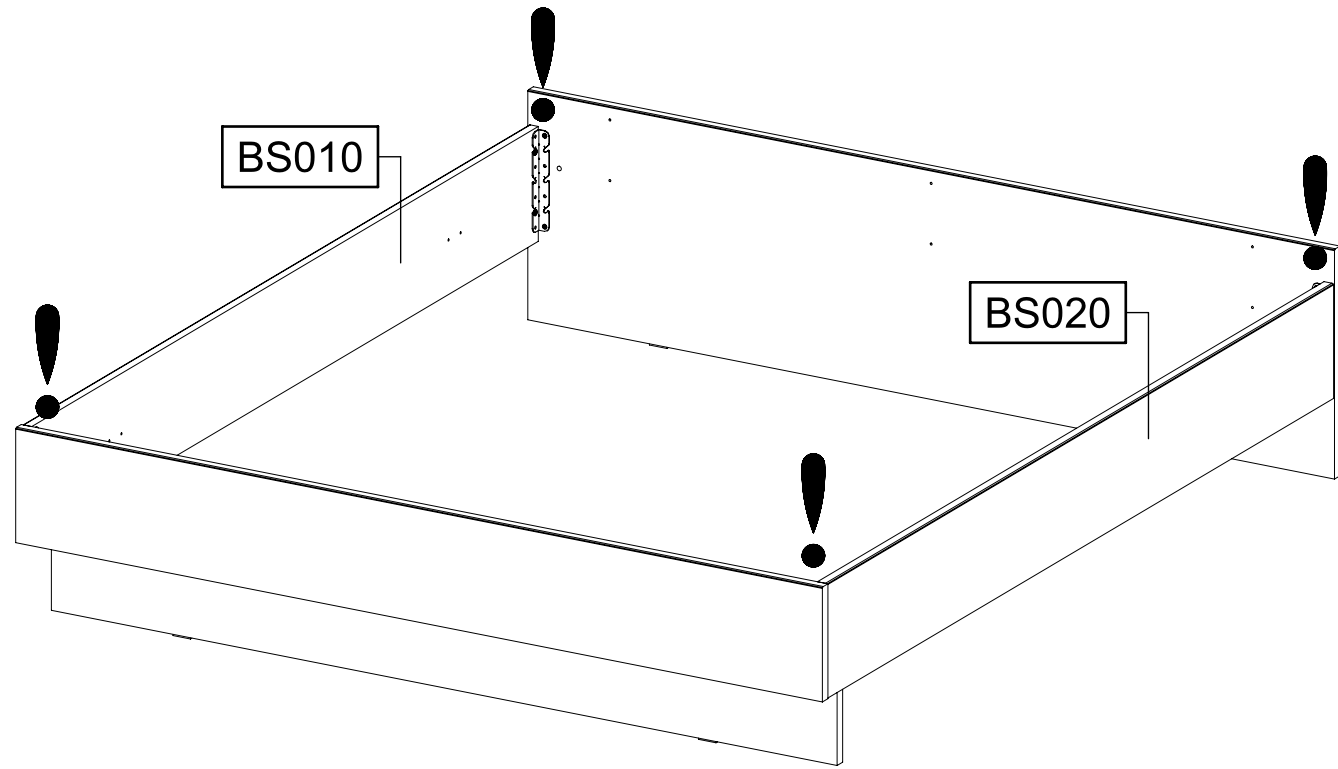
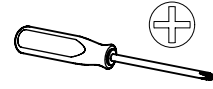


11

12x

202

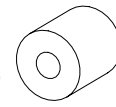
4,5x16



12

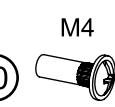
6x

24



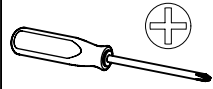
6x

580



6x

898

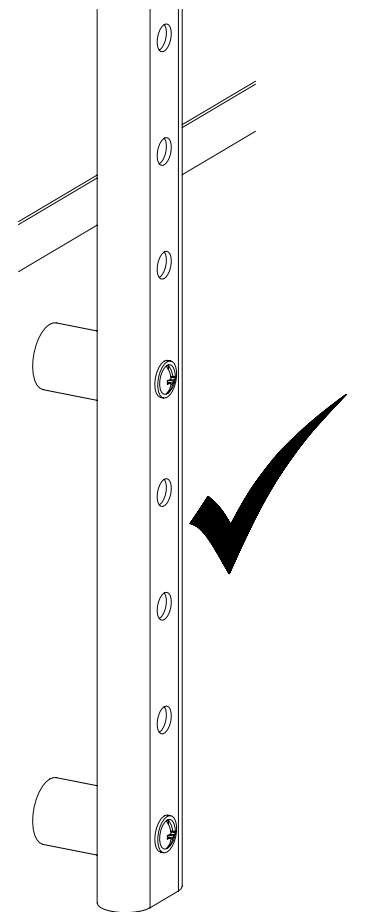
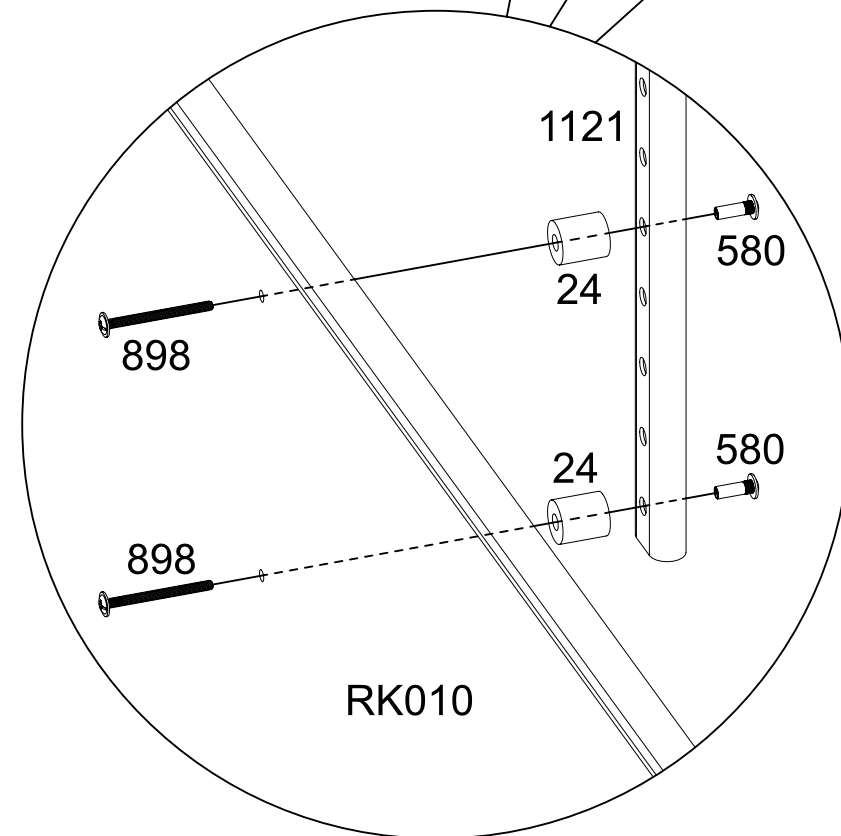
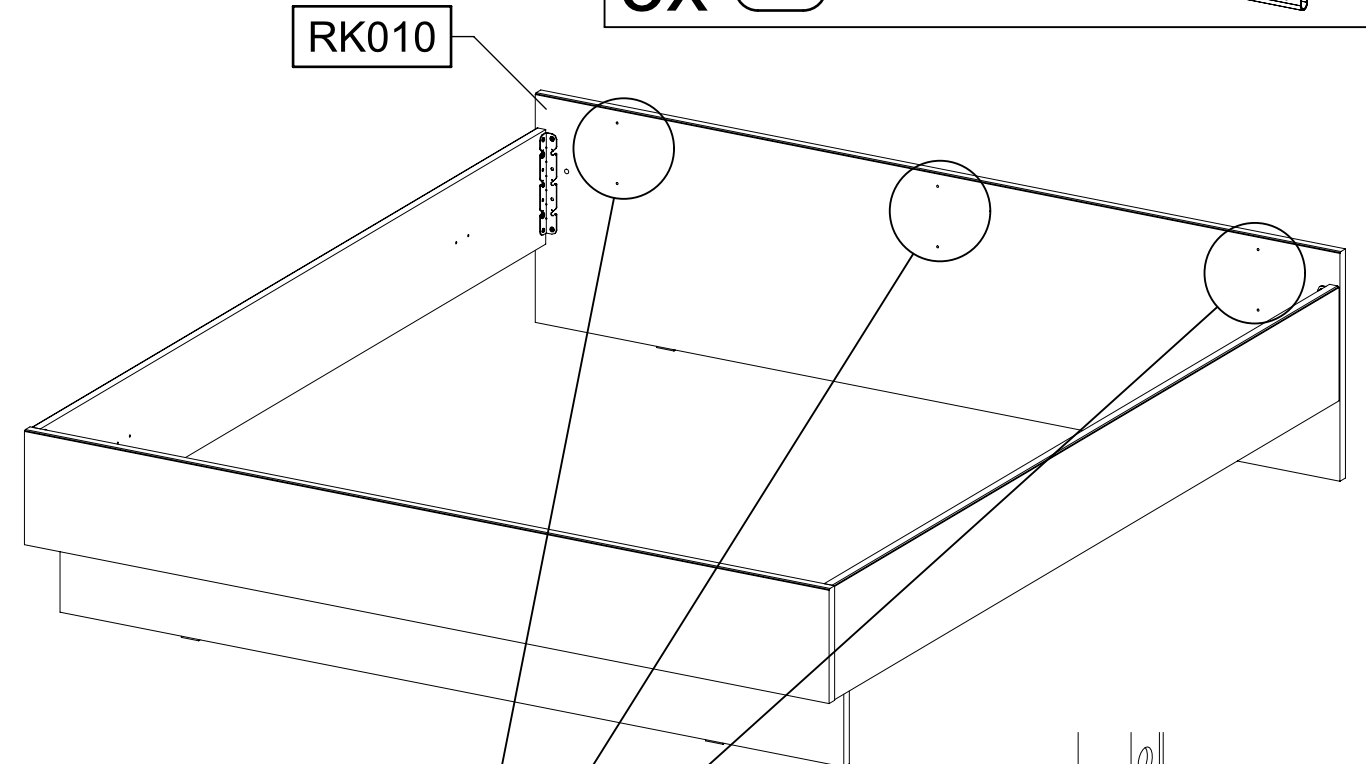


M4x45

581x30/15x1.5

3x

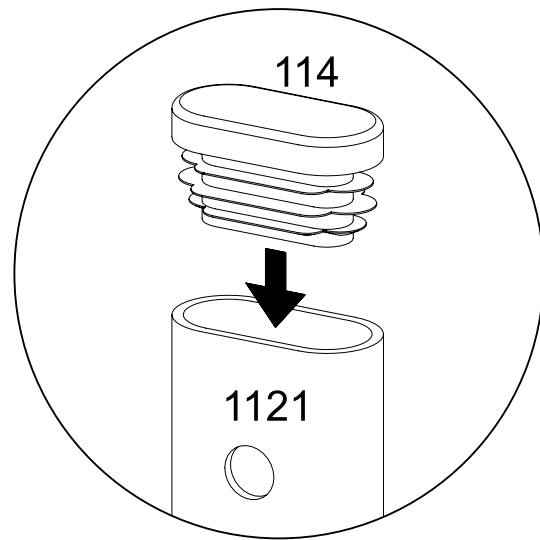
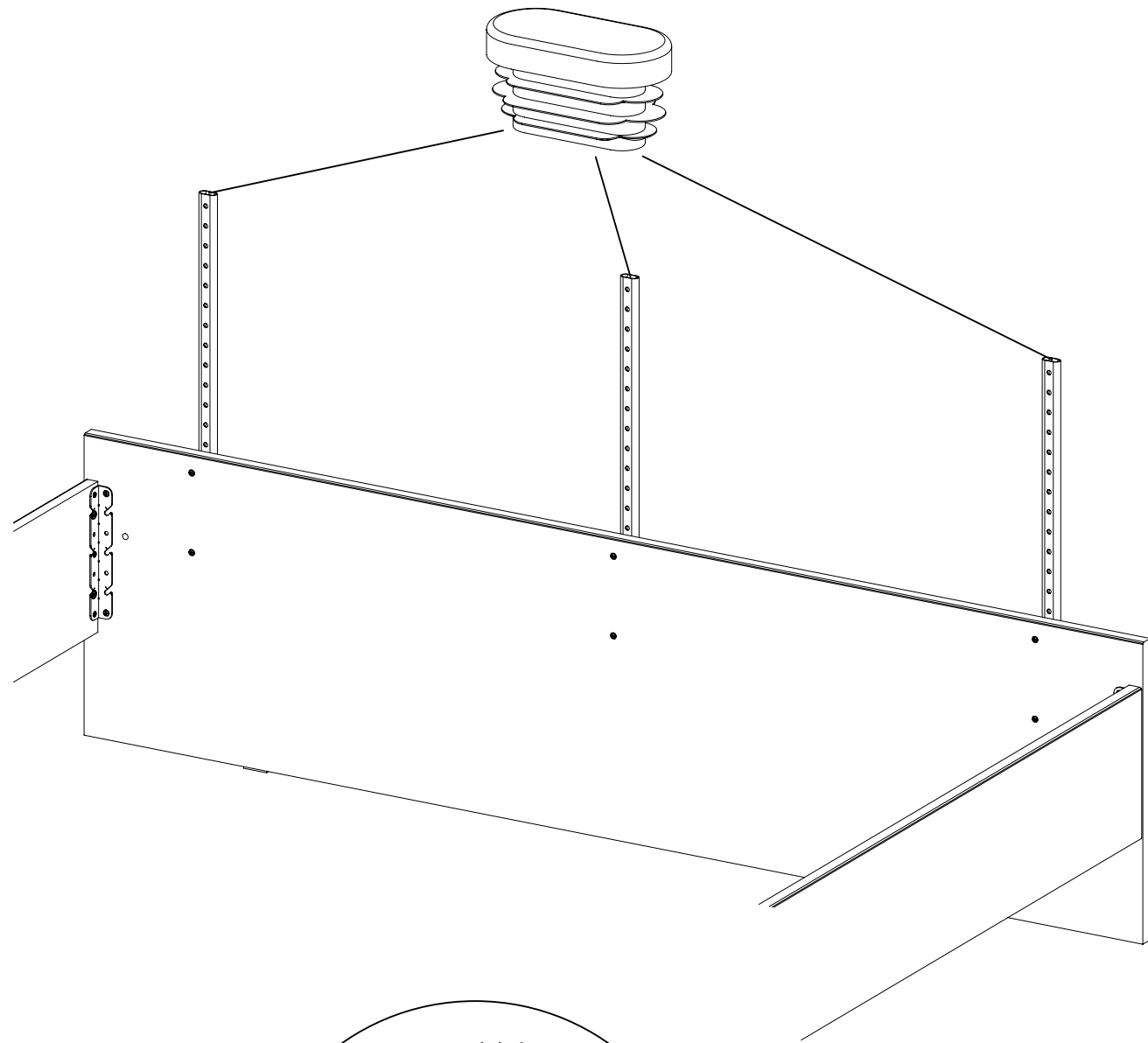
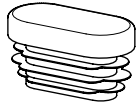
1121



13

3x

114

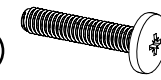


14

6x

204

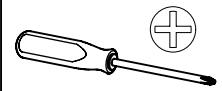
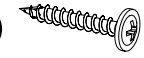
M6x30



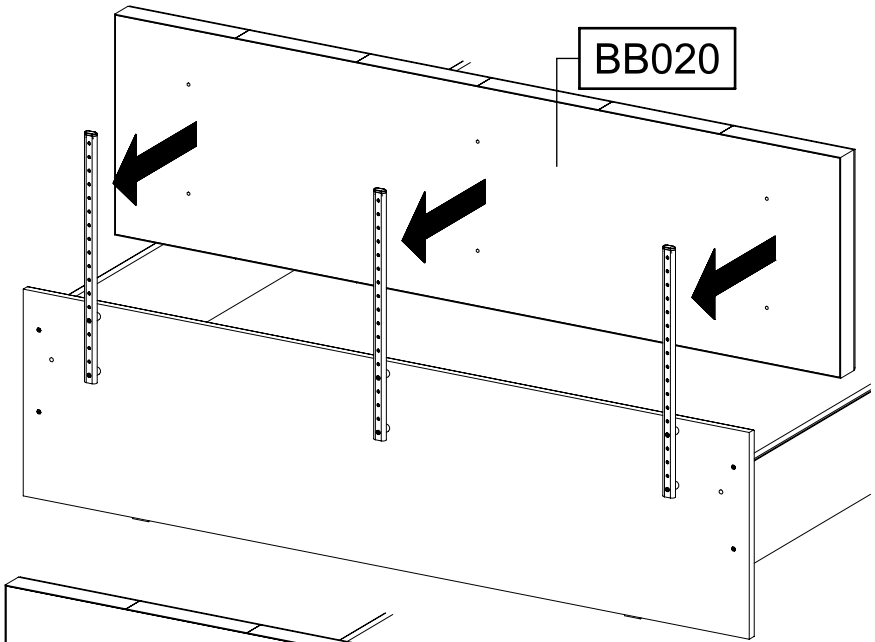
3x

252

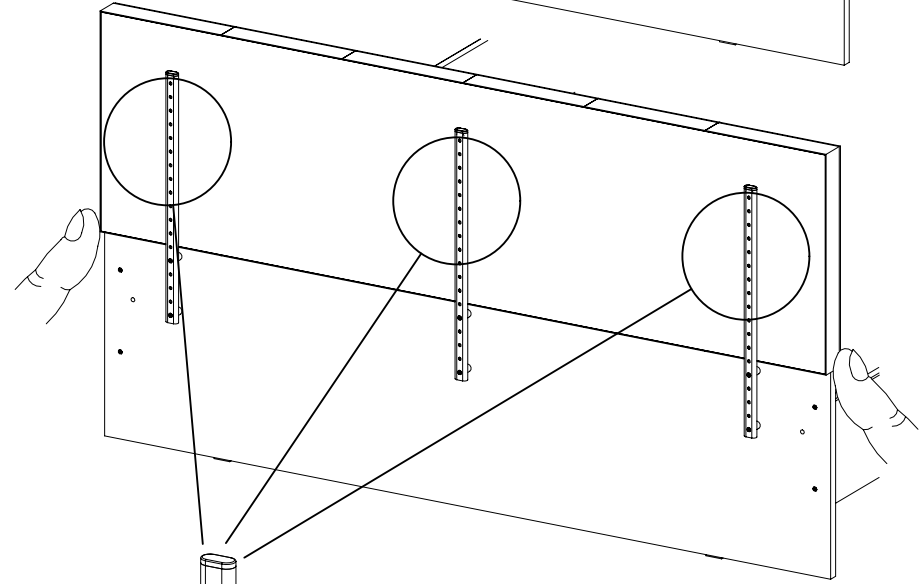
4x27



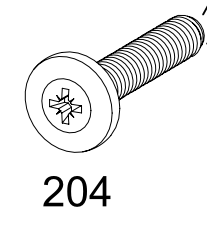
1.



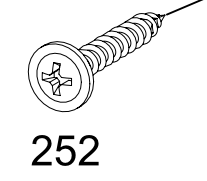
2.



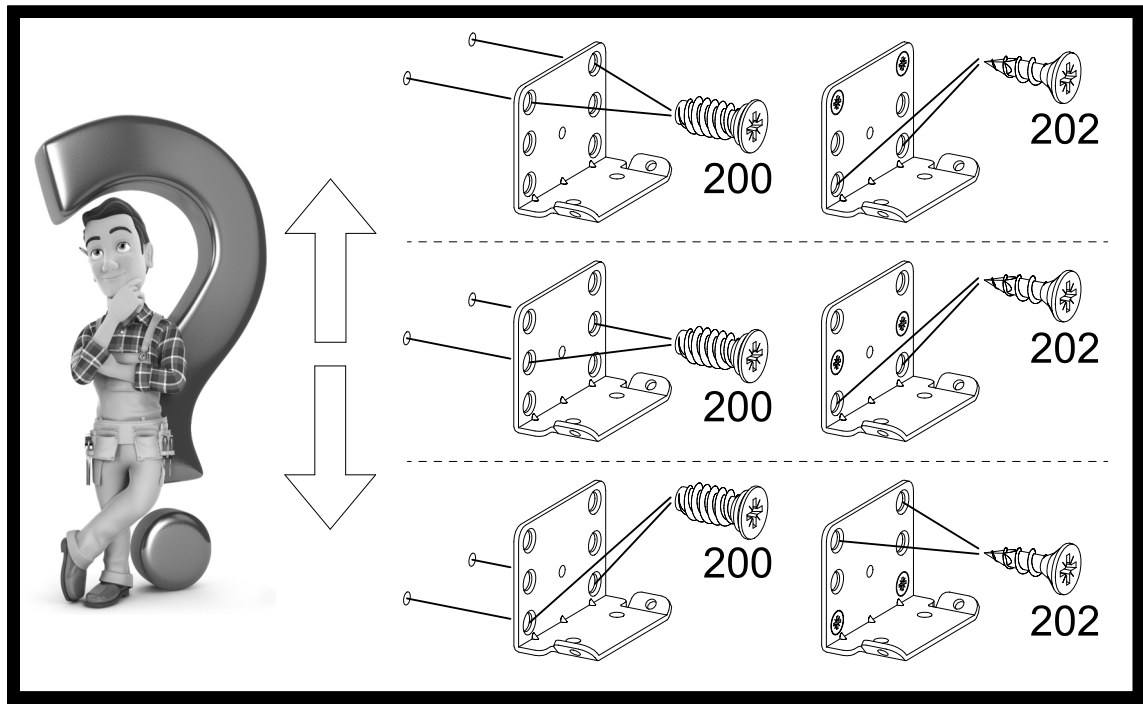
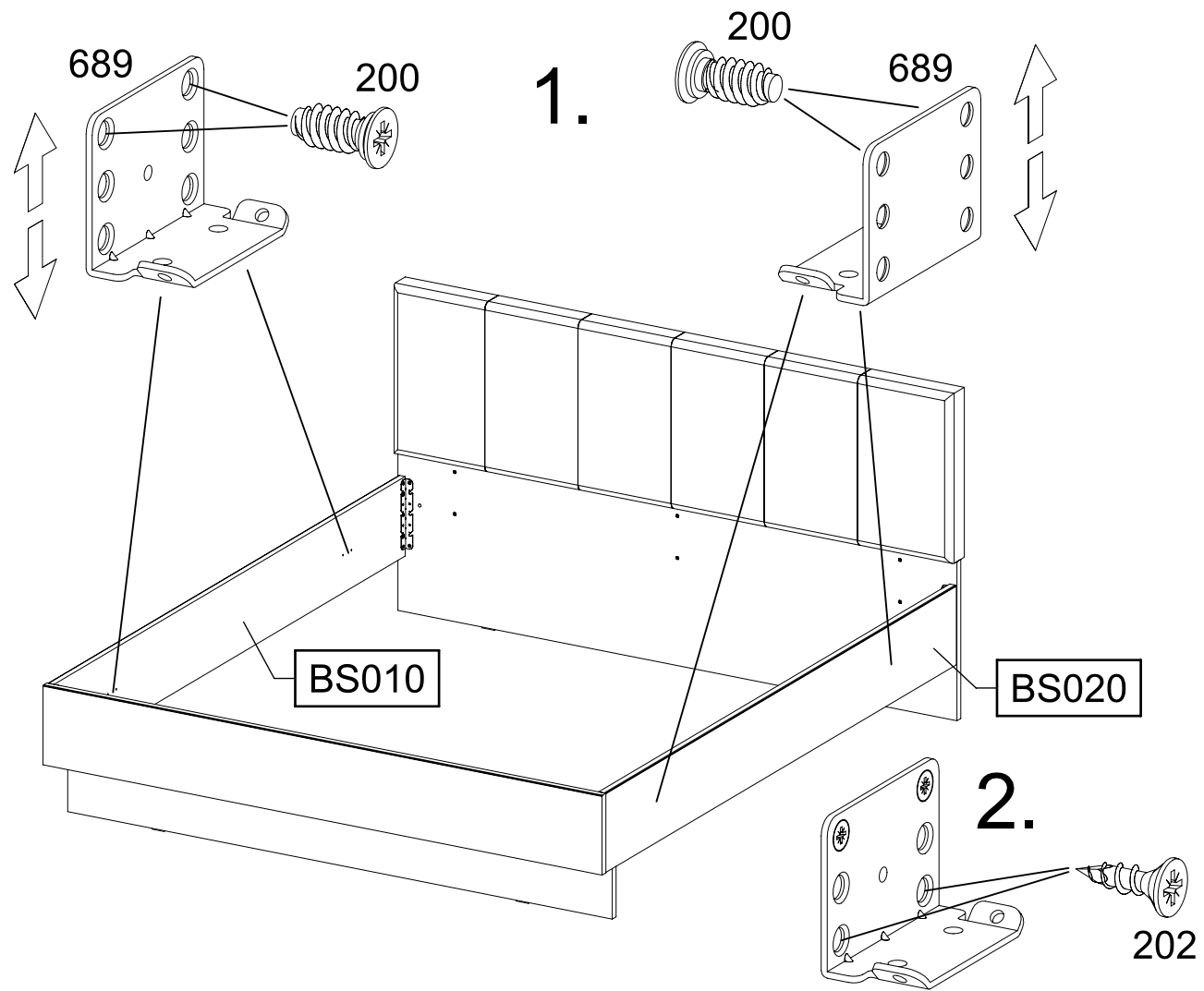
3.



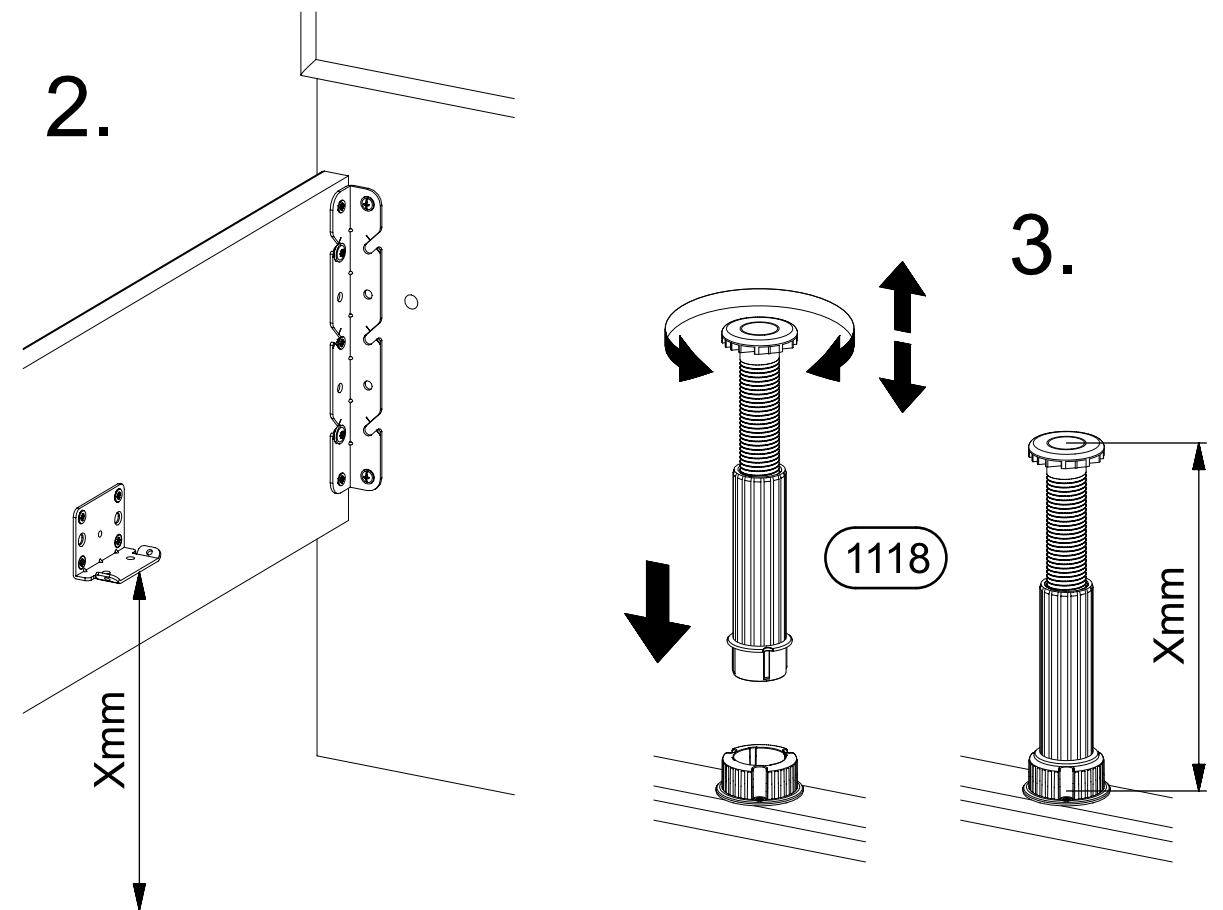
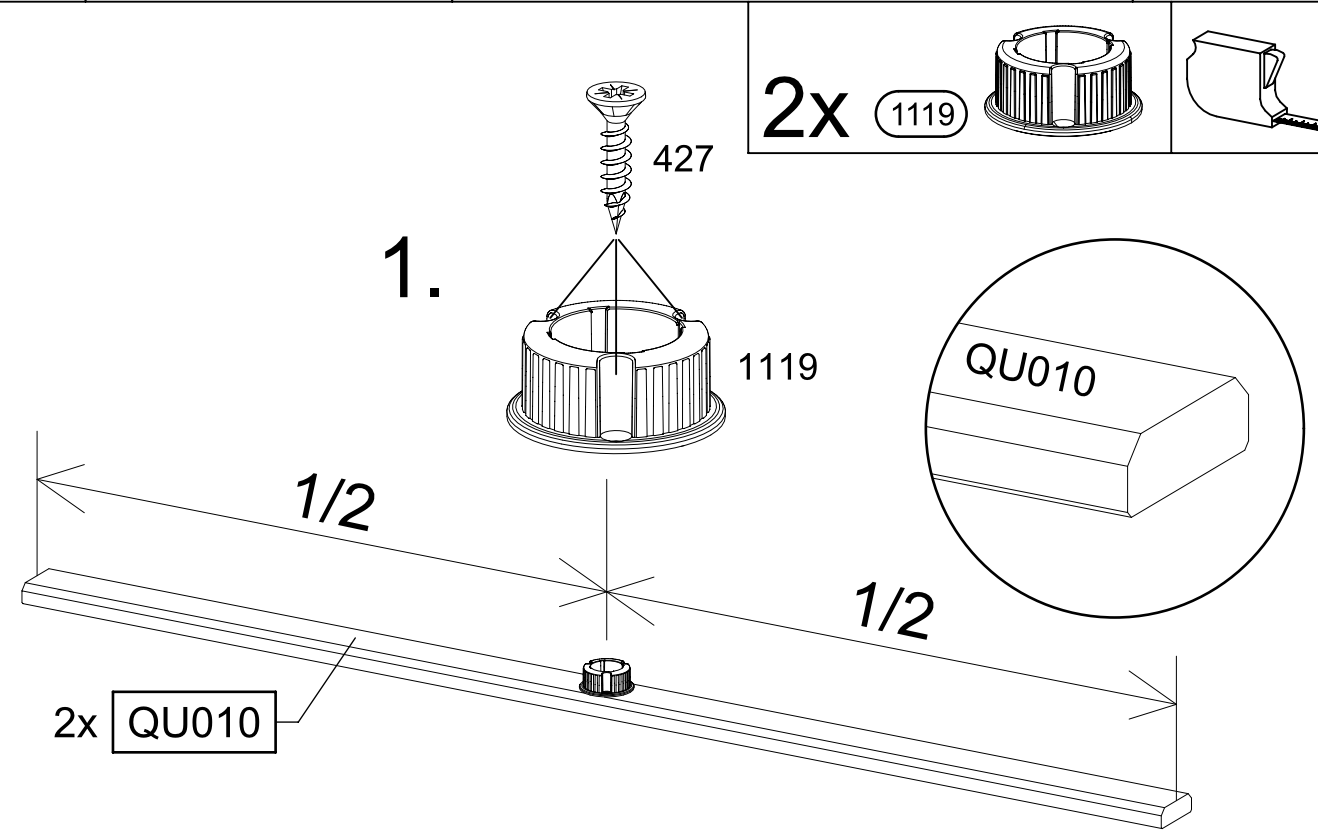
4.



15 **8x** 202 4,5x16 **8x** 200 6,3x14 **4x** 698

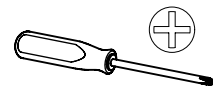


16 **6x** 427 4x20 **2x** 1118

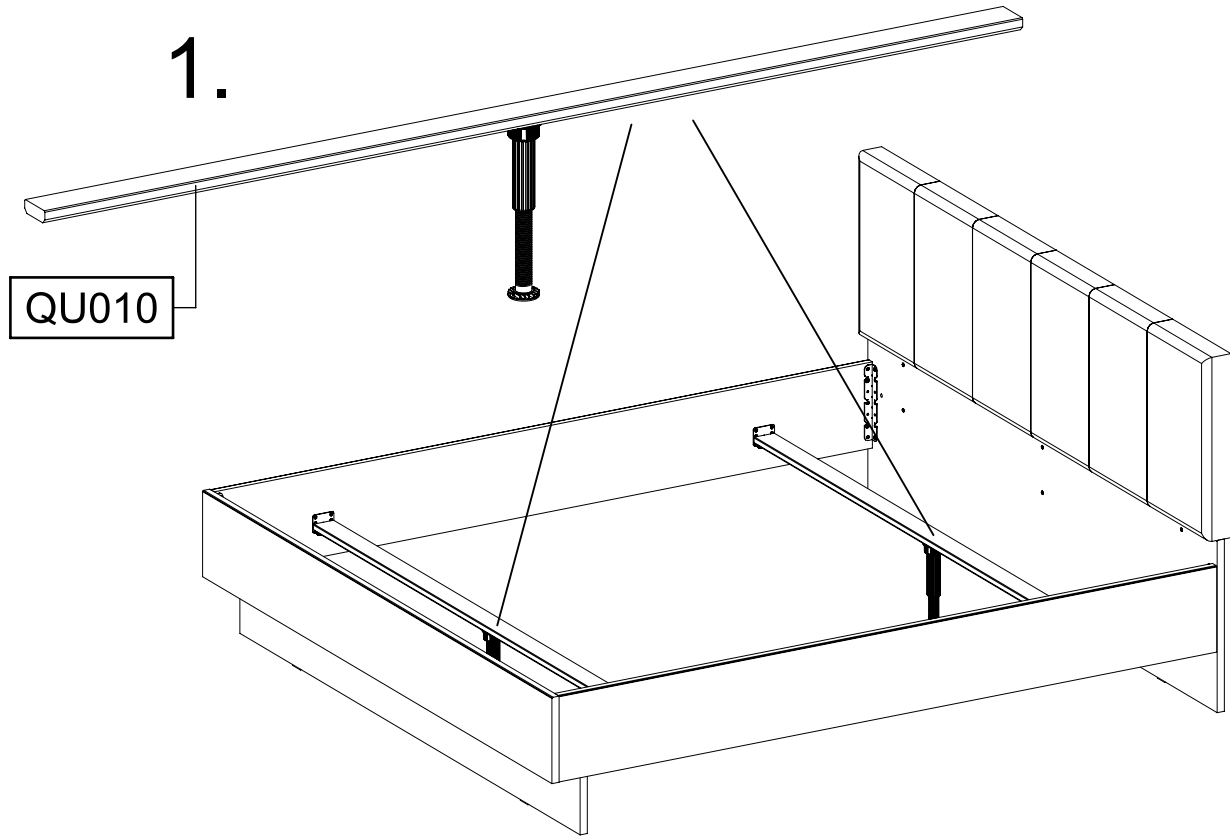


17

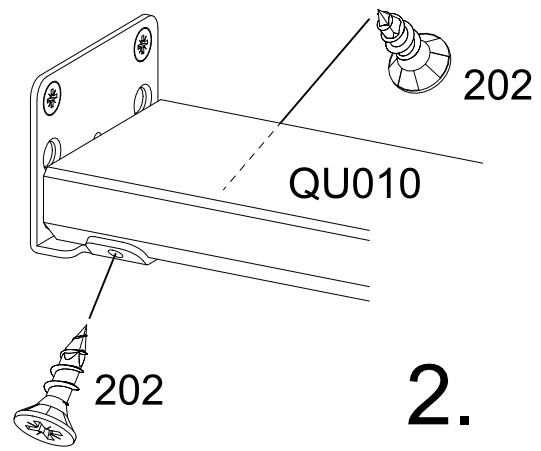
8x 202 4,5x16



1.

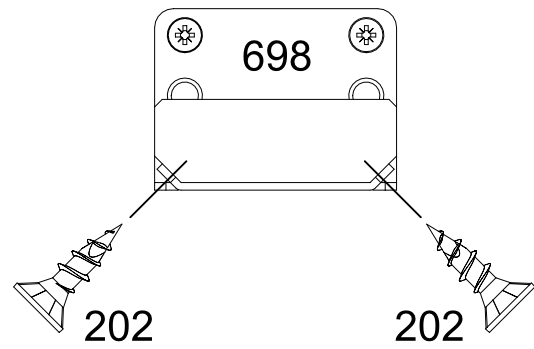


QU010

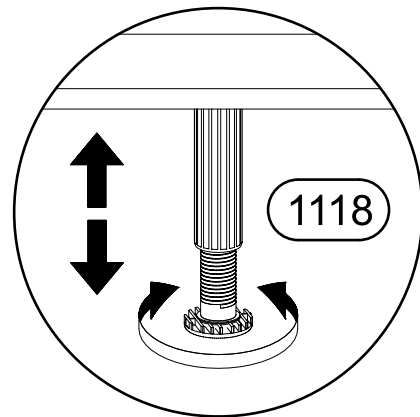


QU010

2.



698



1118

