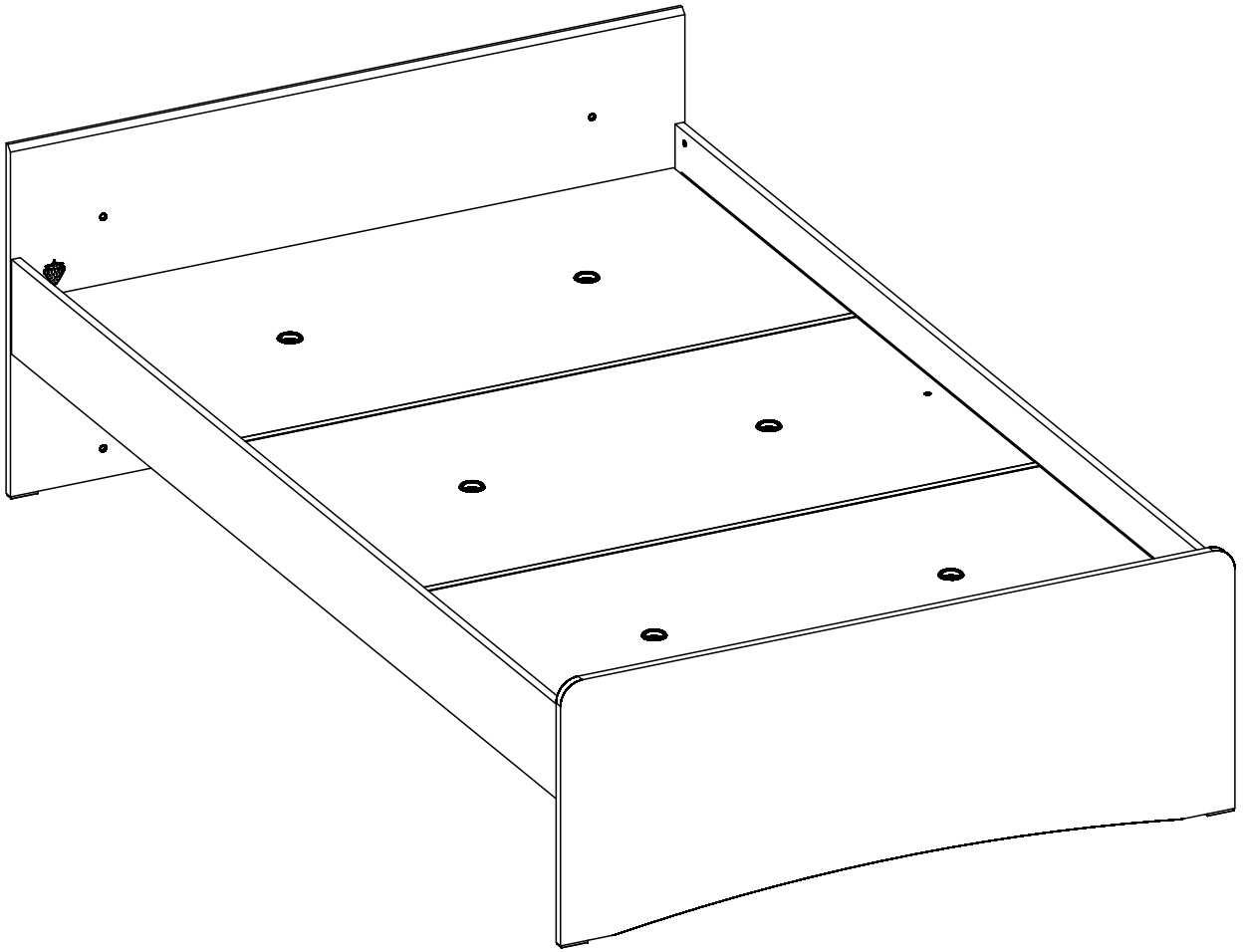


# 20.77.1310.00

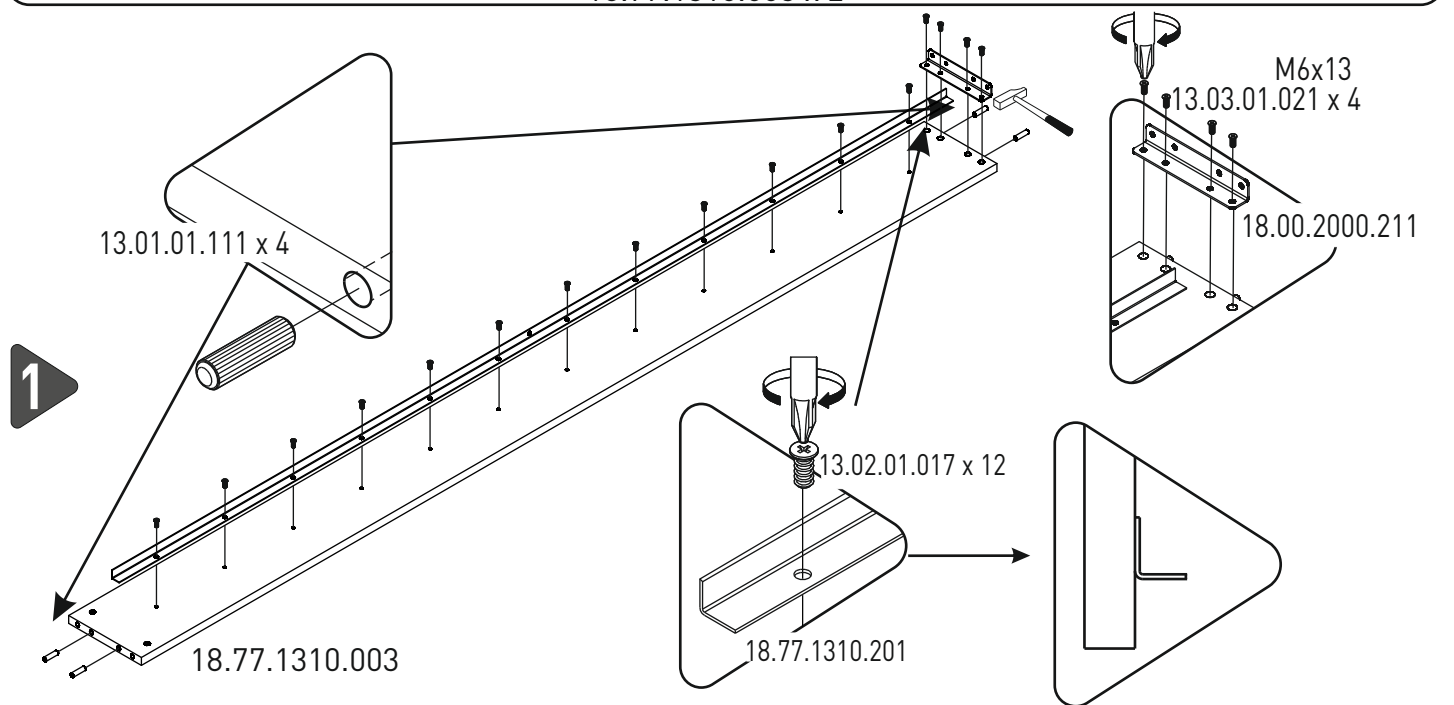
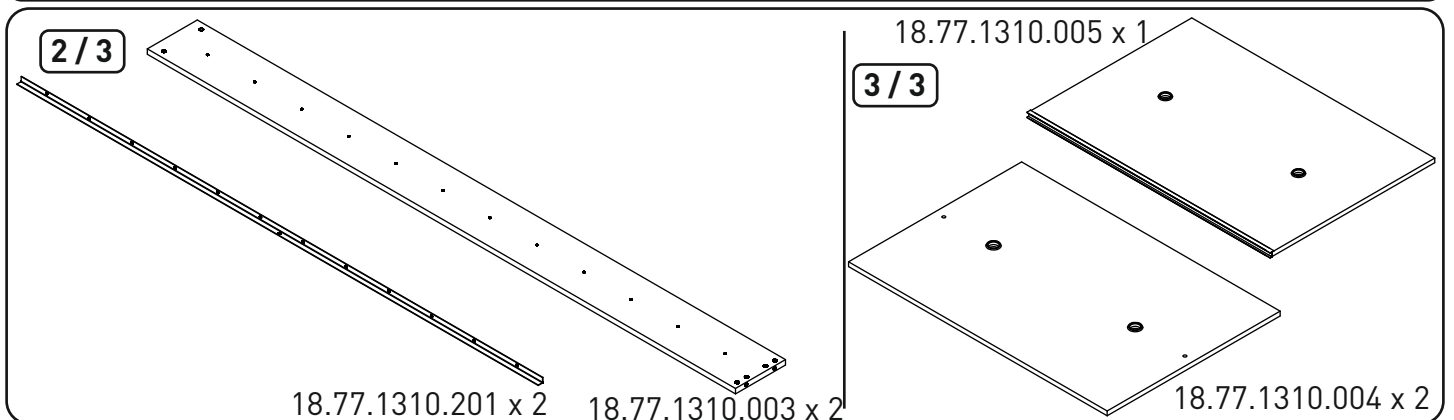
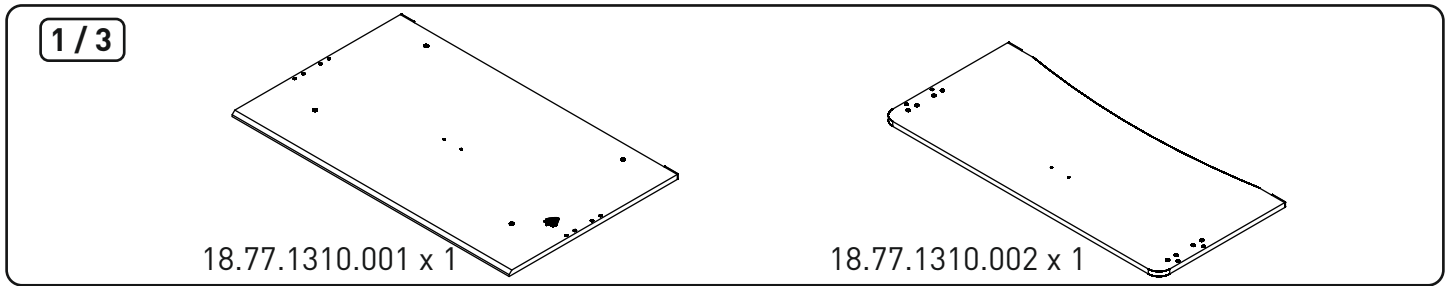
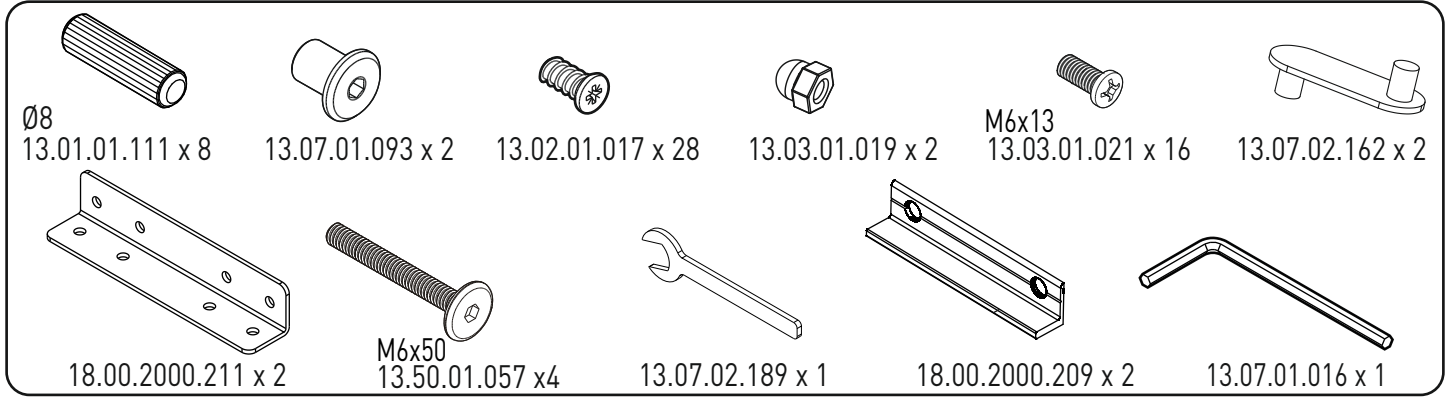
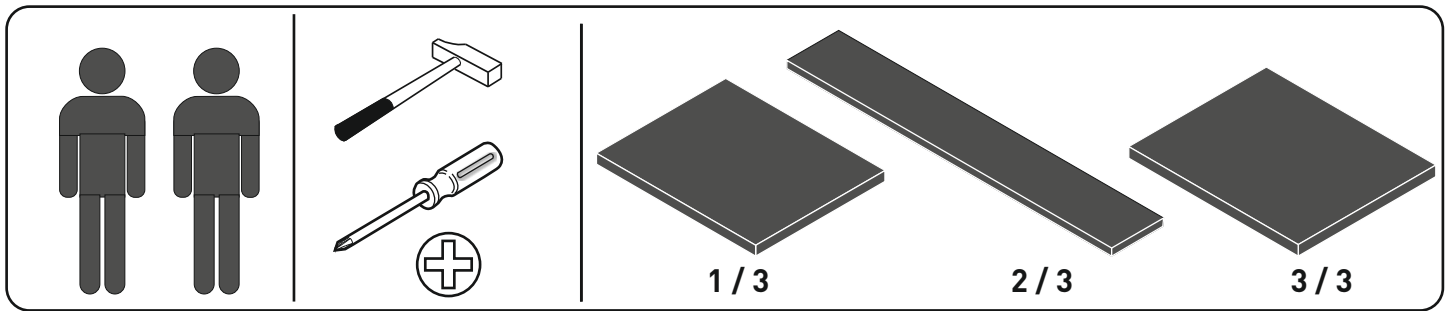


GARANTİ BELGESİ VE  
KULLANMA KILAVUZU

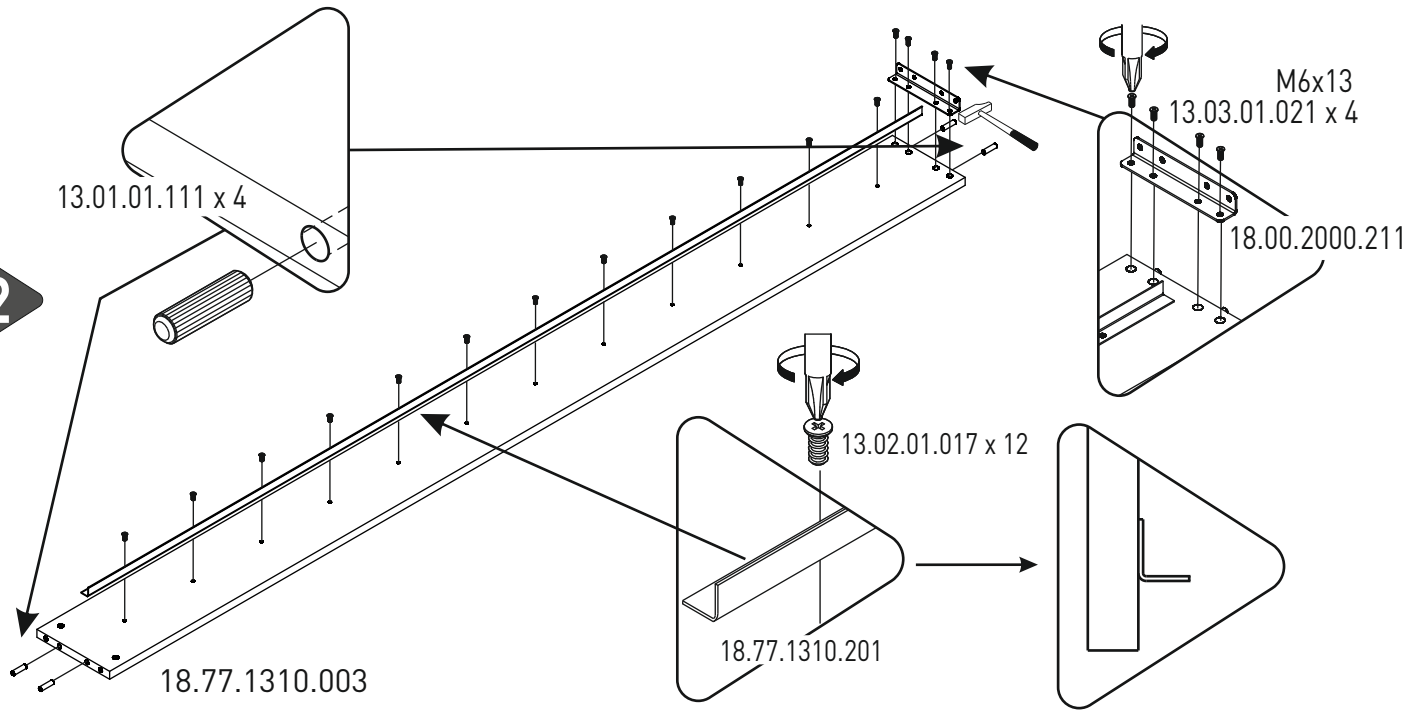


WARRANTY CERTIFICATE  
AND USER MANUAL

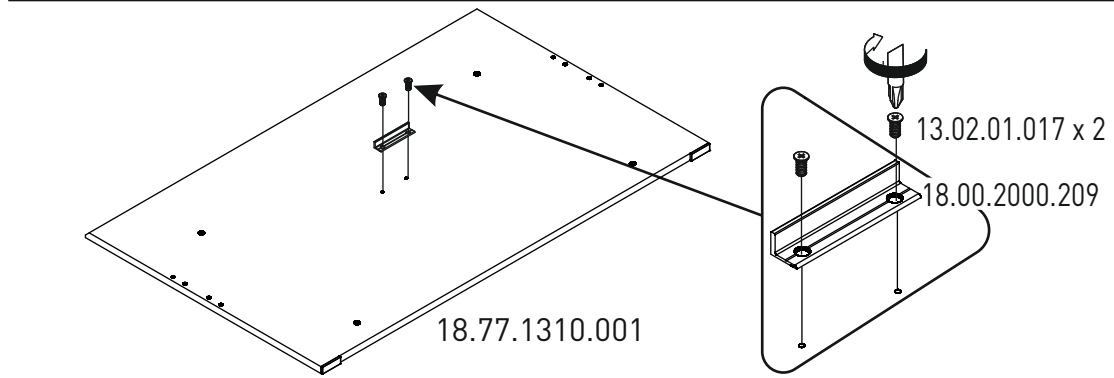




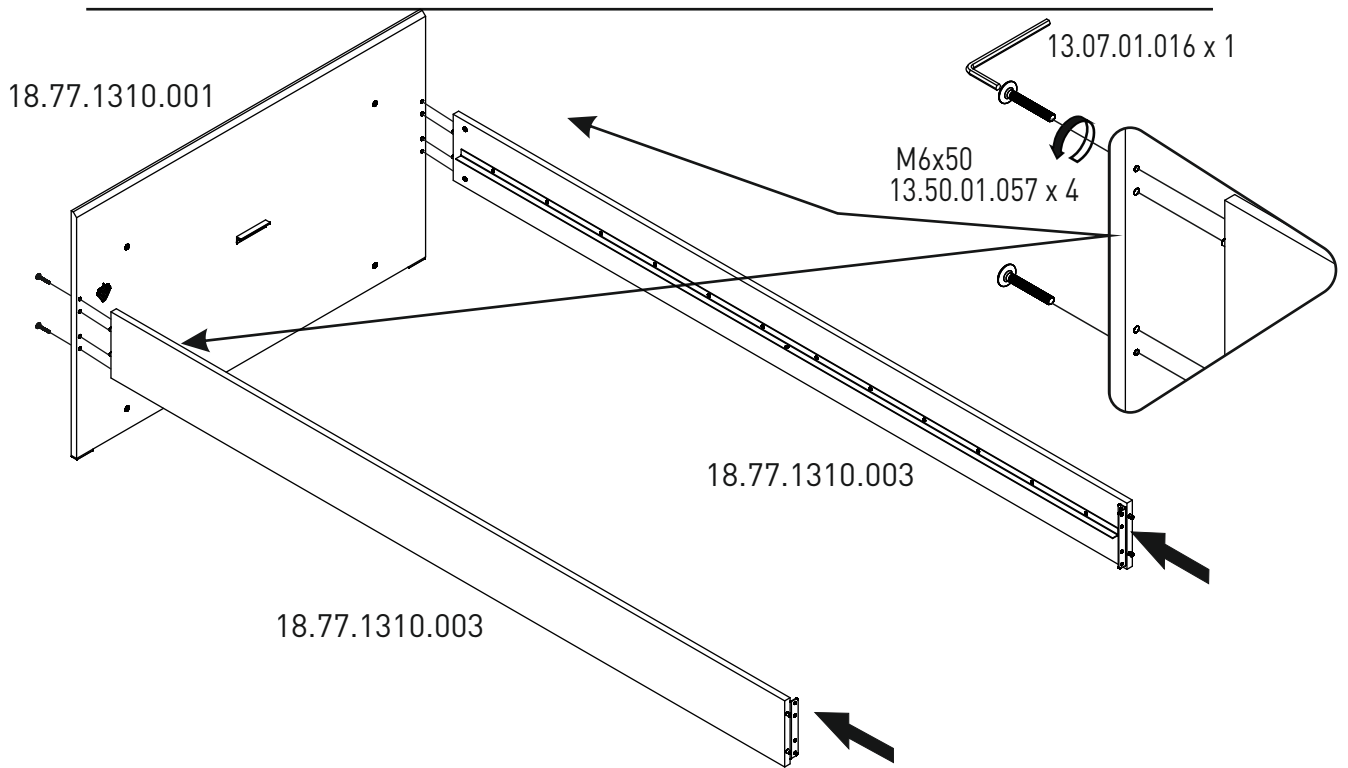
2



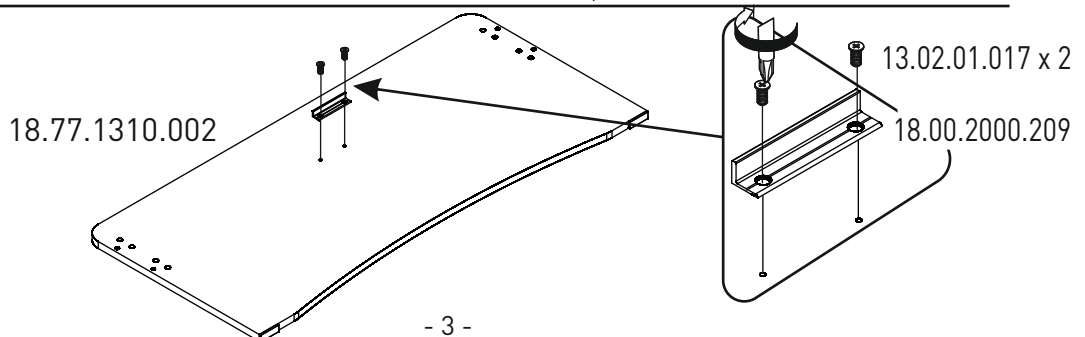
3



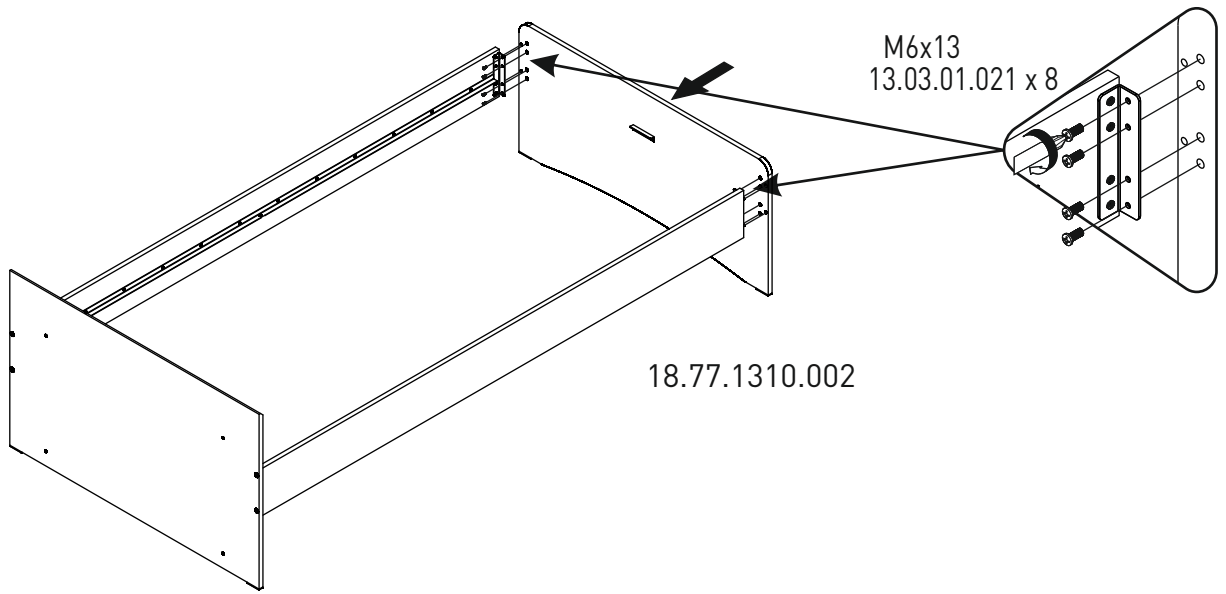
4



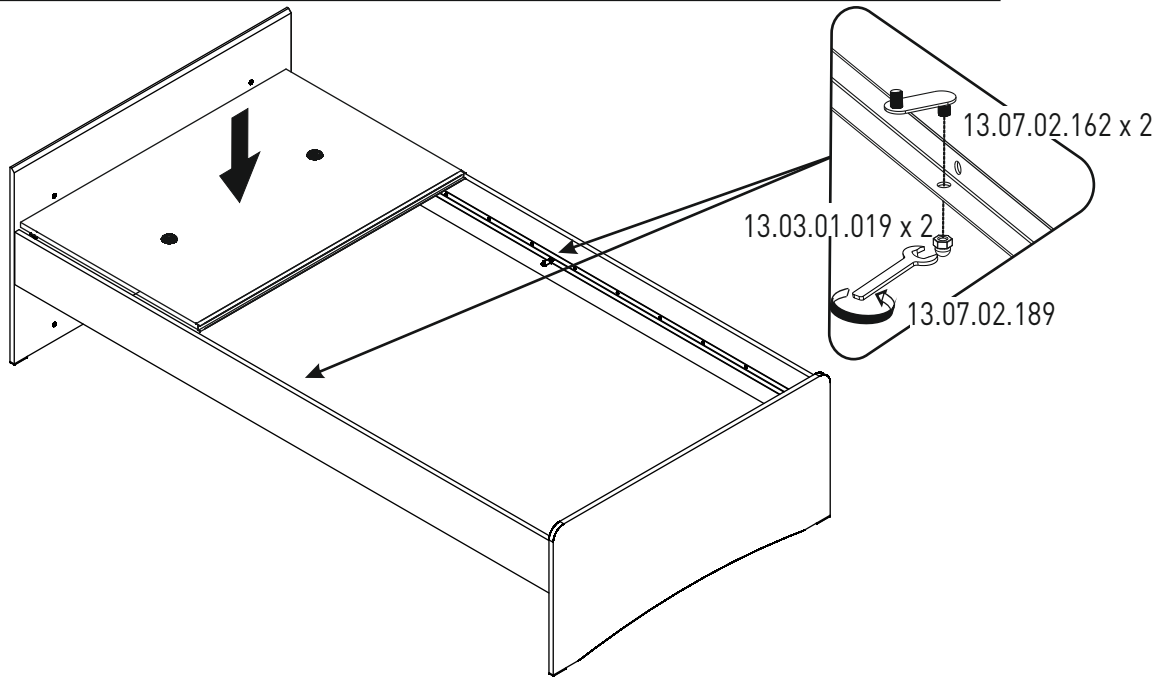
5



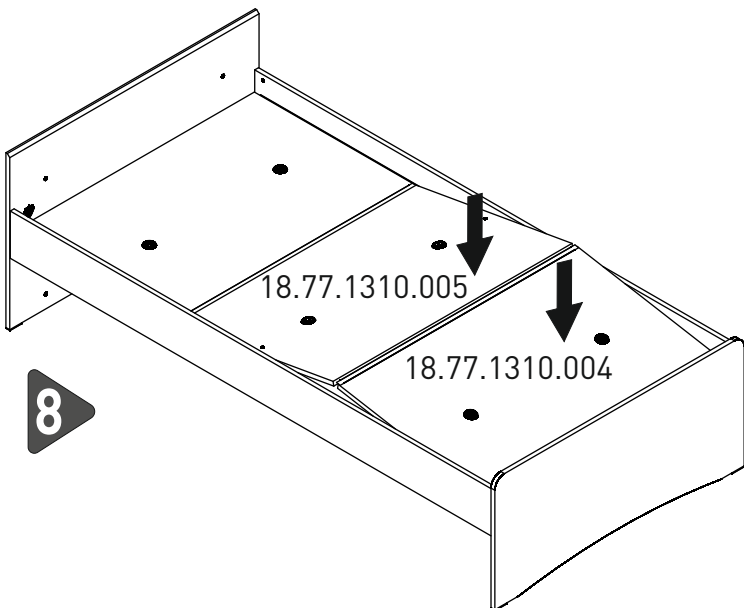
6



7



8



9

