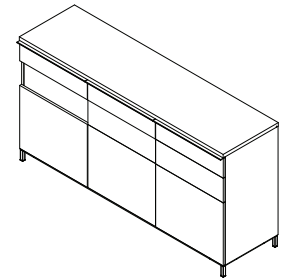
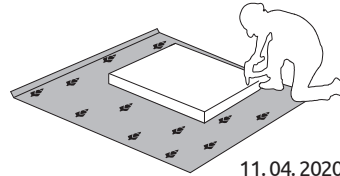
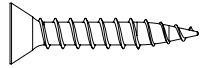
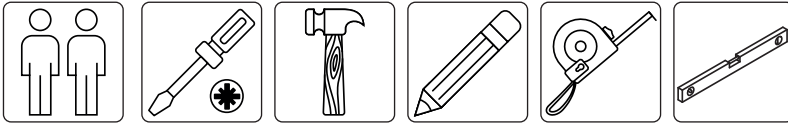




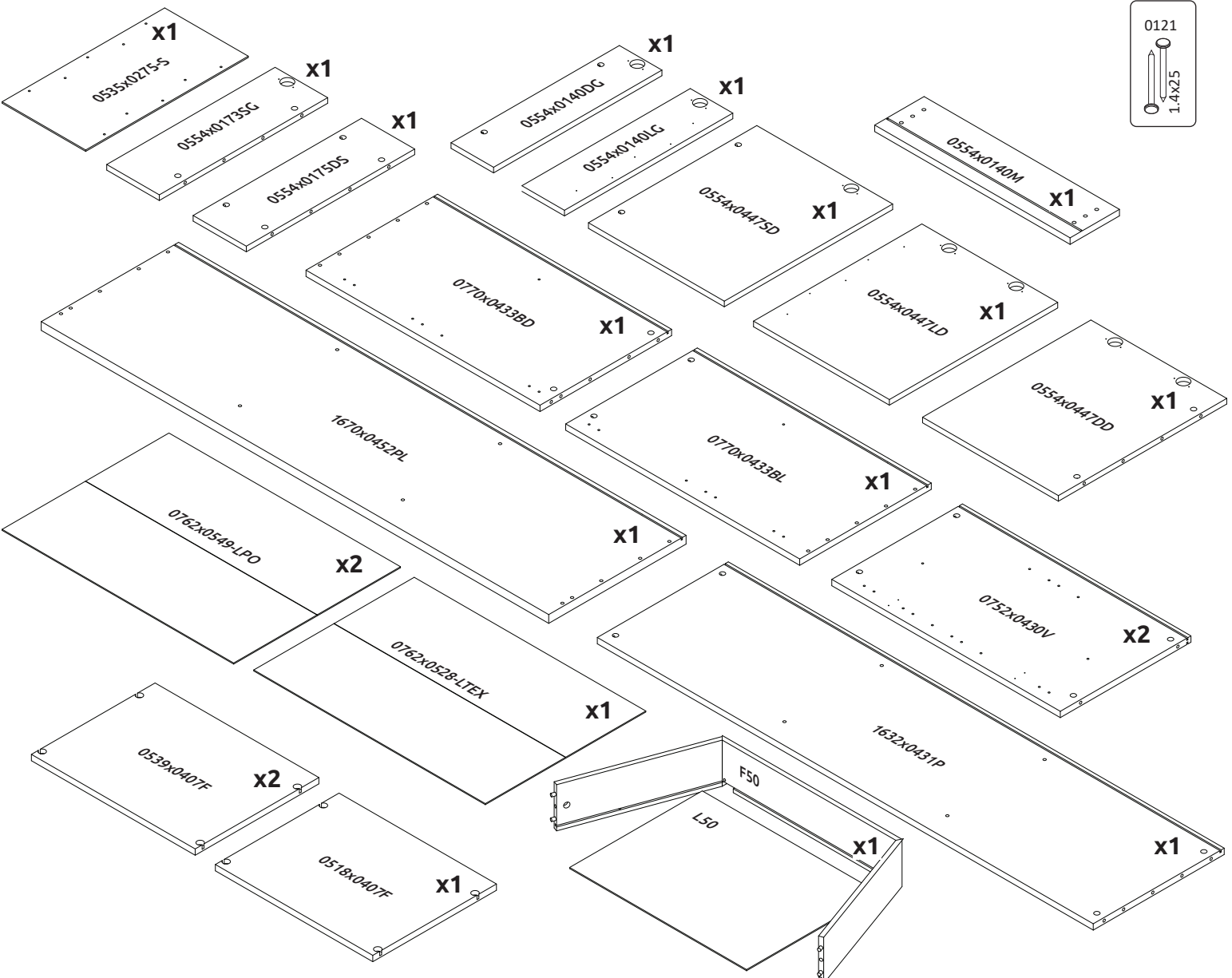
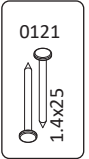
**IMPORTANT – READ CAREFULLY – RETAIN FOR FUTURE REFERENCE**  
**WICHTIG – SORGFÄLTIG LESEN UND AUFBEWAHREN**

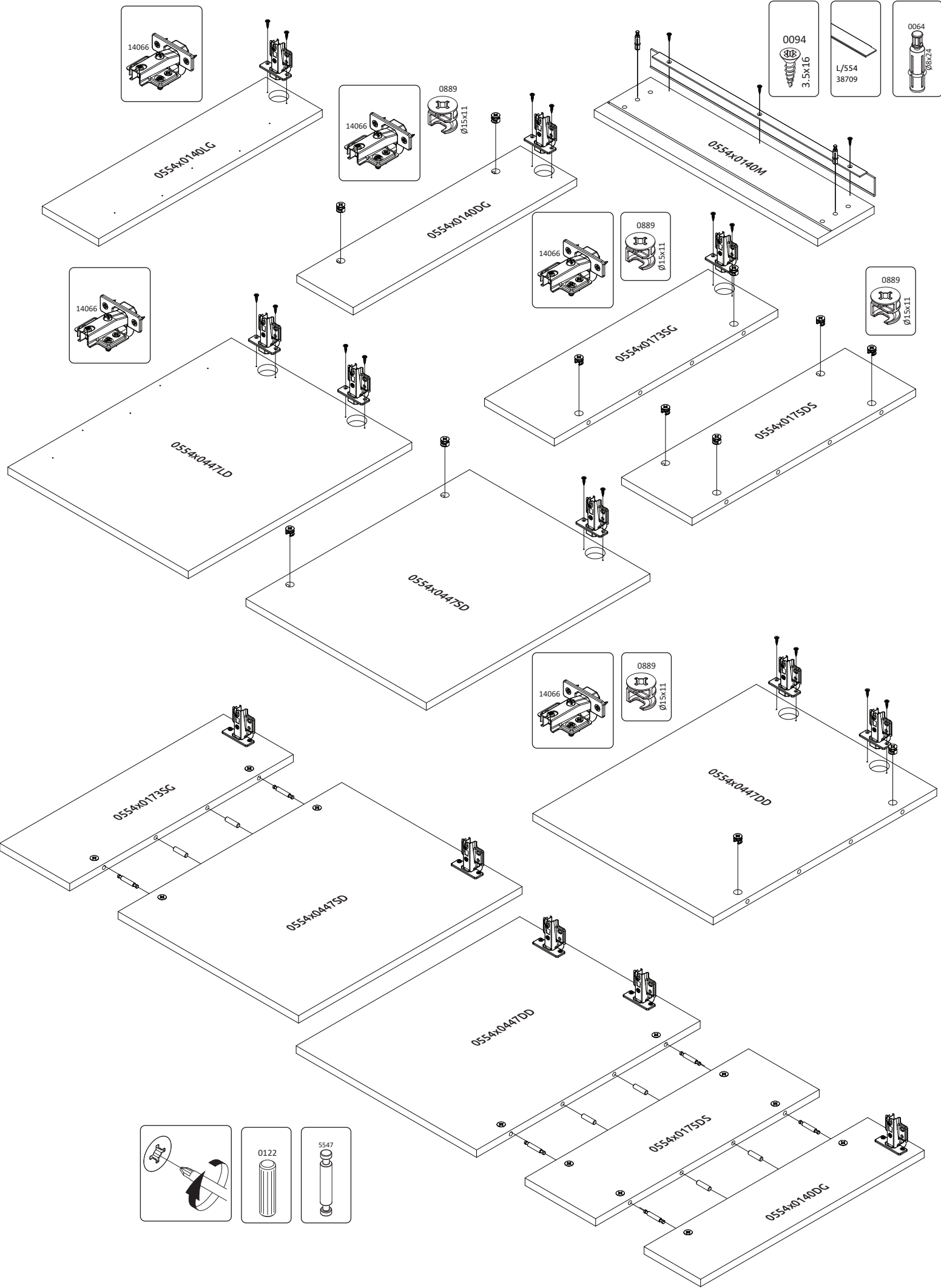


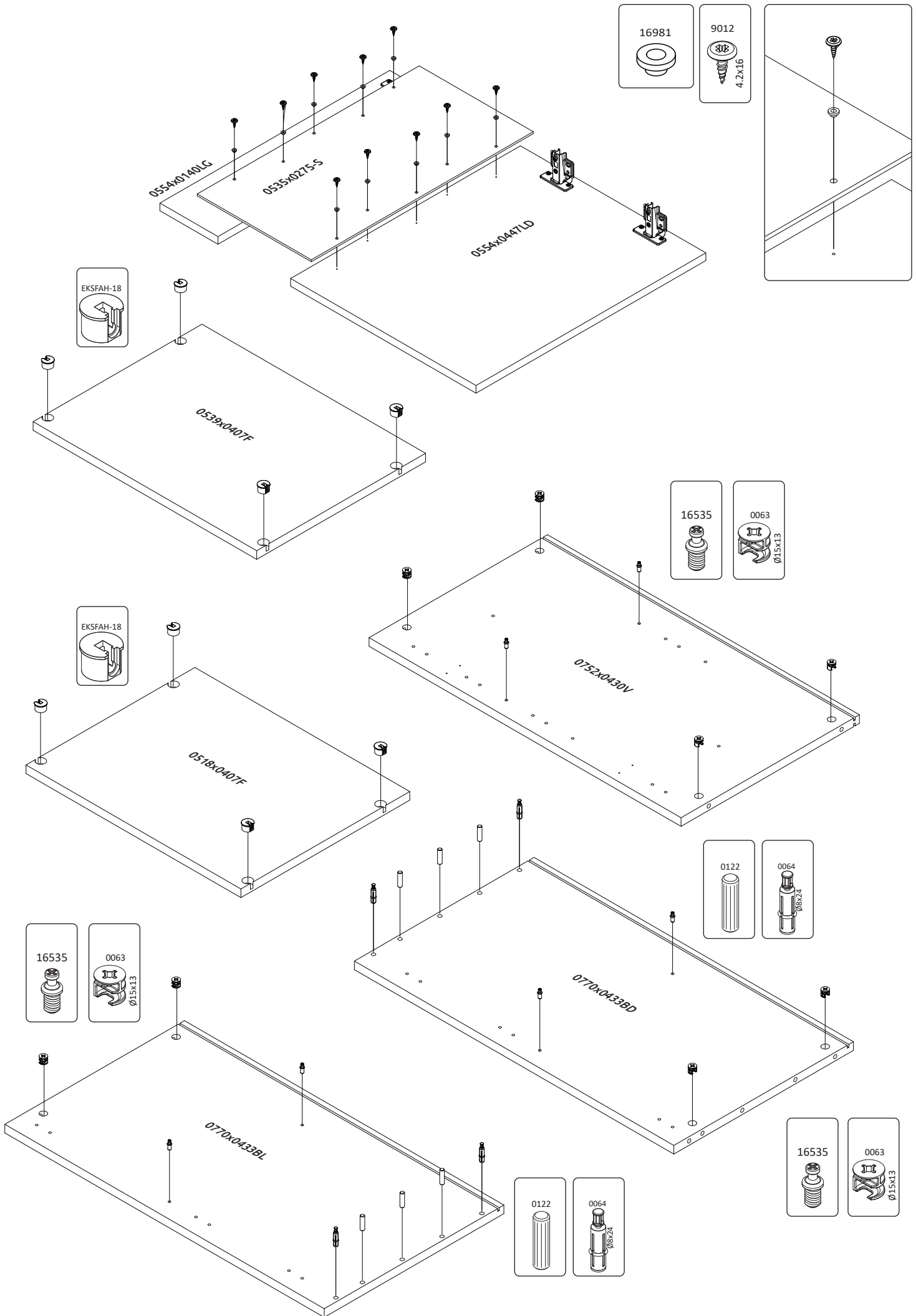
**K170-3KS1F/ON**  
 LWH - 1670x452x875

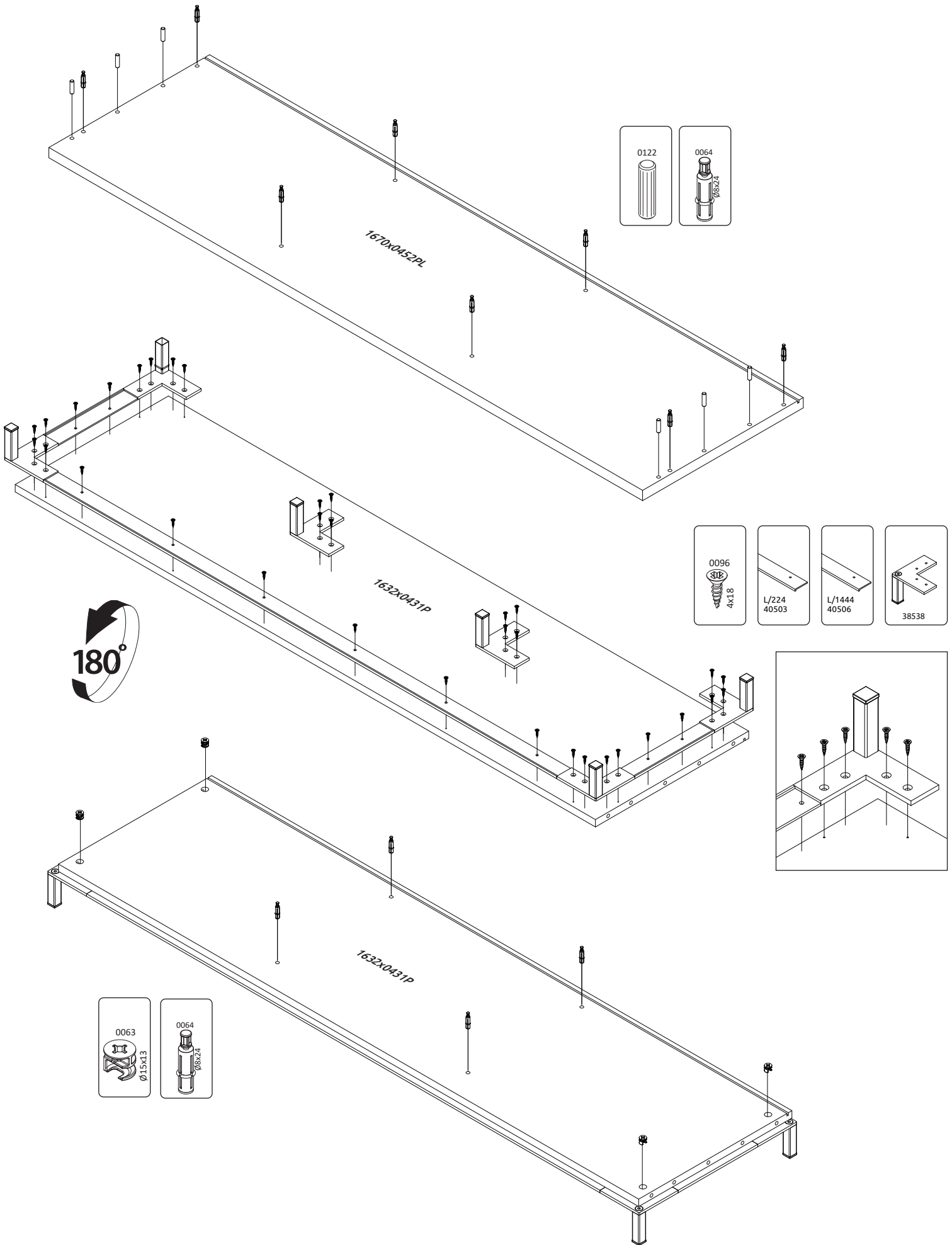
11.04.2020

<b>x15</b> 0094 3.5x16	<b>x12</b> 16535	<b>x12</b> EKSF4H-18	<b>x20</b> 0095 3.5x20	<b>x18</b> 0122	<b>x18</b> 0064 Ø8x24	<b>x16</b> 0063 Ø15x13	<b>x20</b> 0108	<b>x3</b> 6319	<b>x2</b> EKSK	<b>x8</b> EKSK4-TEX	<b>x6</b> EKSK4-NE	<b>x10</b> EKSK4-SI	<b>x10</b> 16981
<b>x8</b> 14066	<b>x1</b> 14079	<b>x2</b> L/224 40503	<b>x1</b> L/1444 40506	<b>x1</b> 20994	<b>x10</b> 9012 4.2x16	<b>x1</b> 27155	<b>x6</b> 38538	<b>x6</b> 5547	<b>x34</b> 0096 4x18	<b>x12</b> 0889 Ø15x11	<b>x2</b> 0065 Ø15x10	<b>x3</b> L/554 38709	

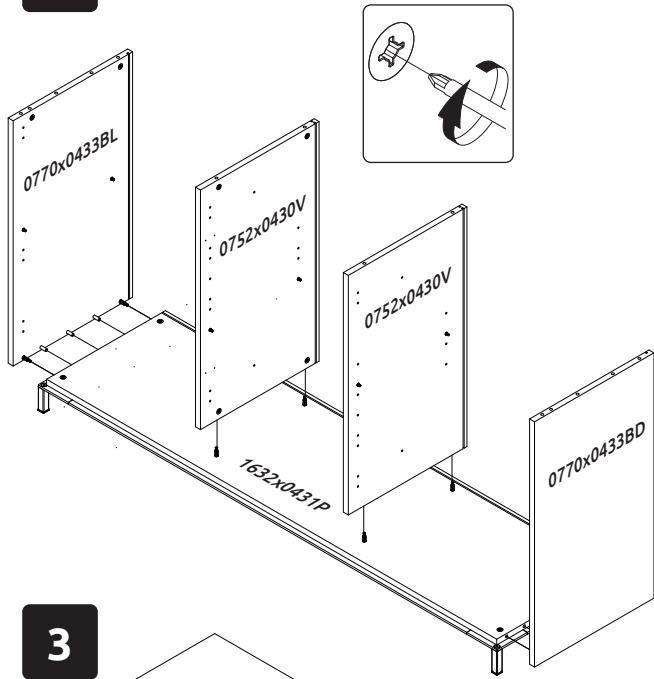




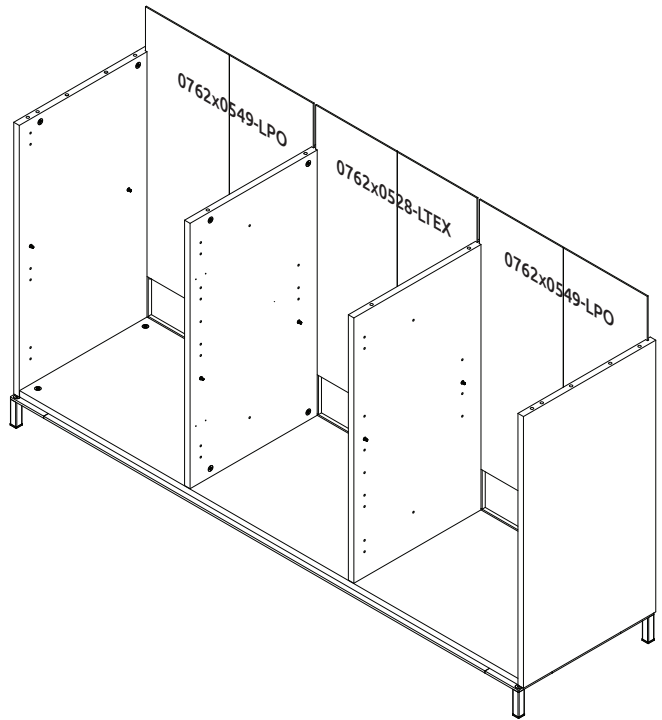




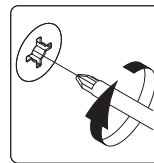
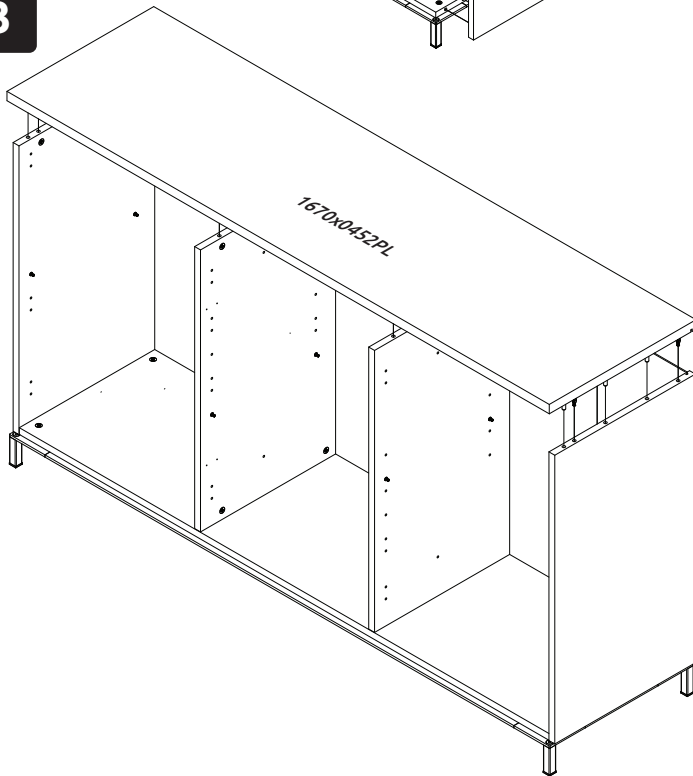
1



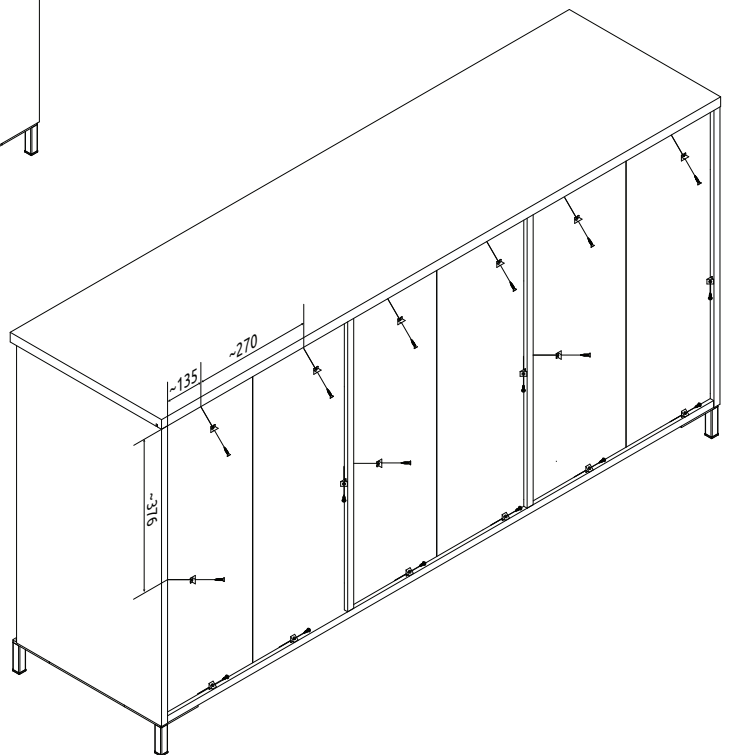
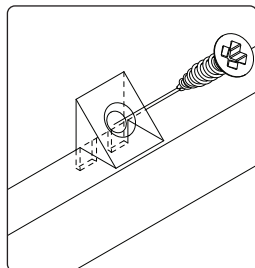
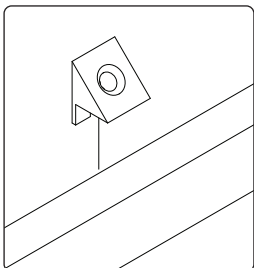
2

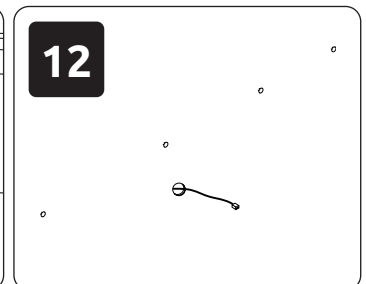
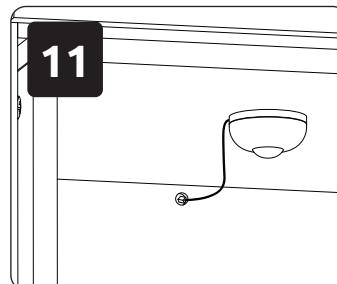
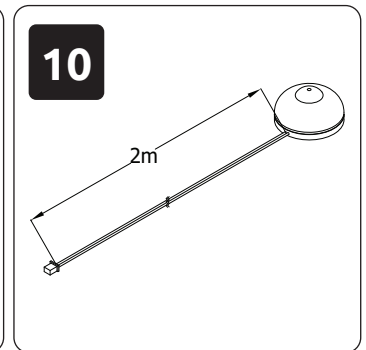
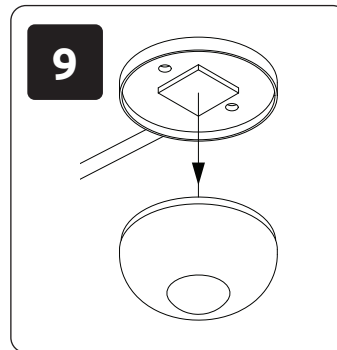
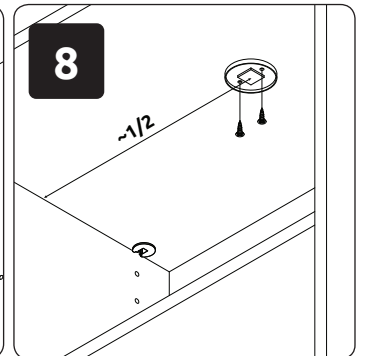
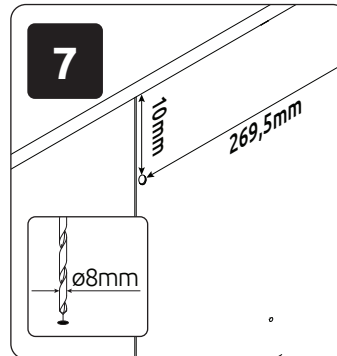
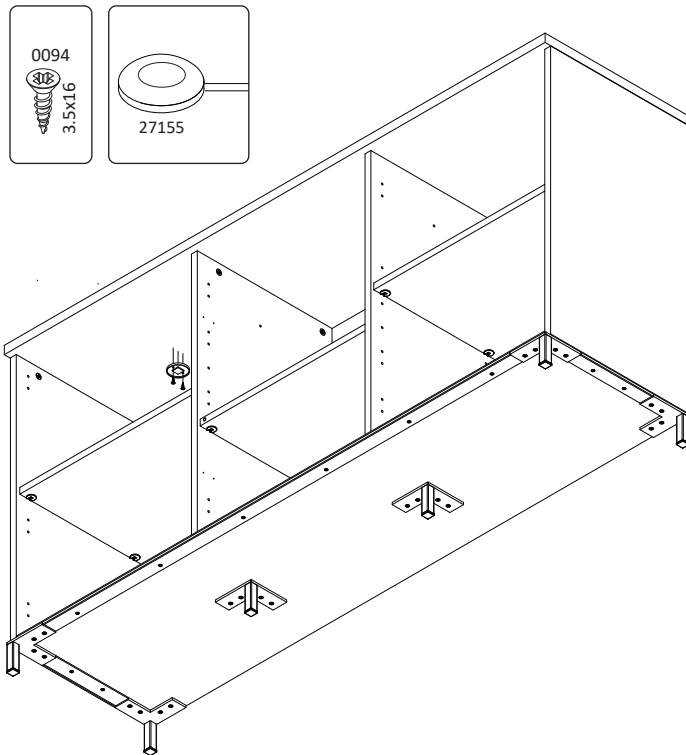
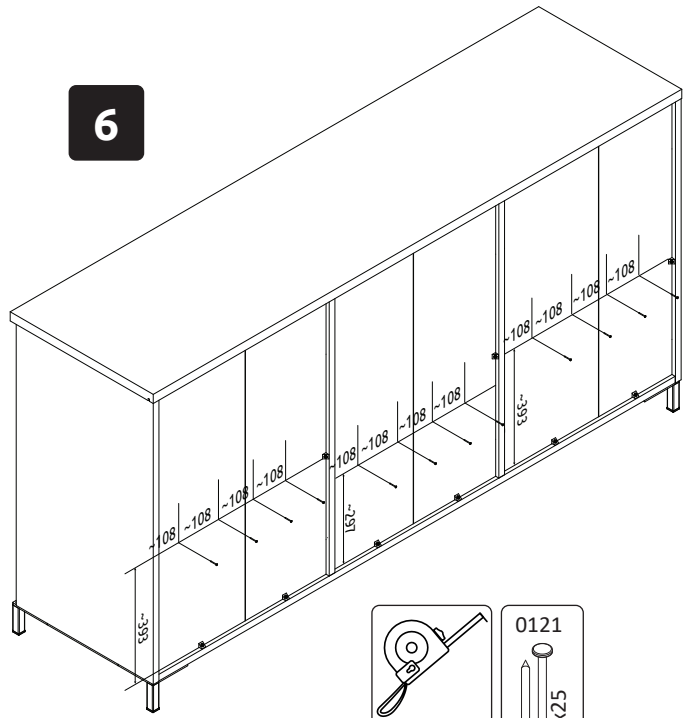
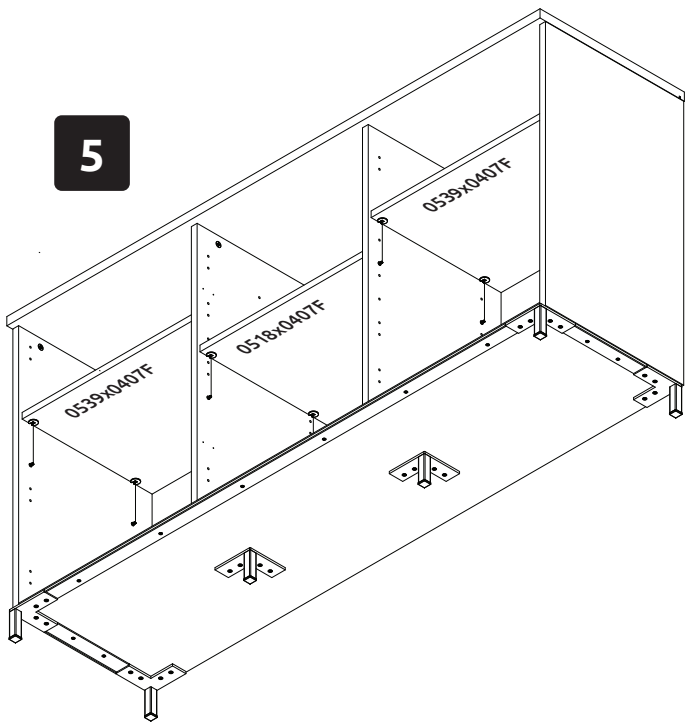


3

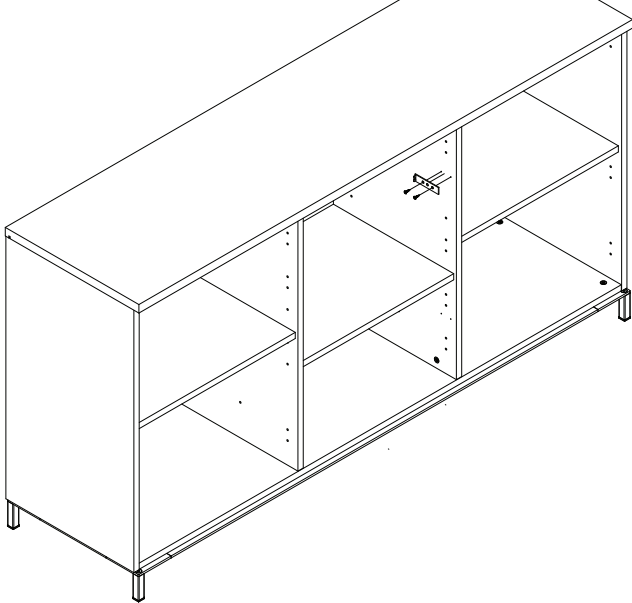
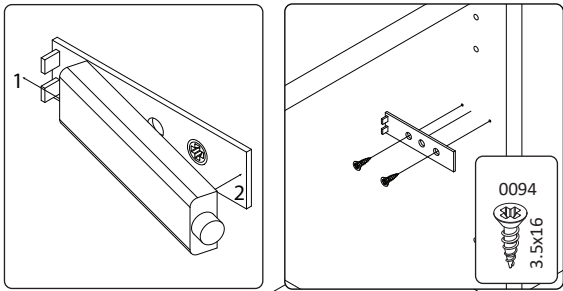


4

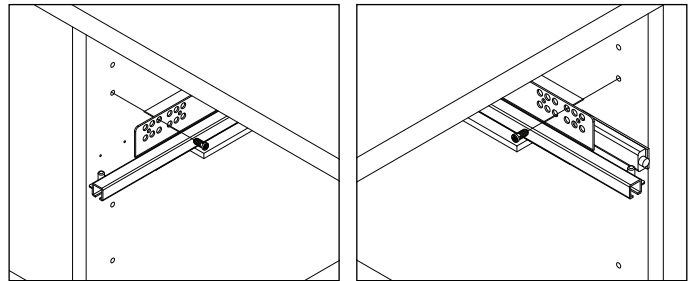
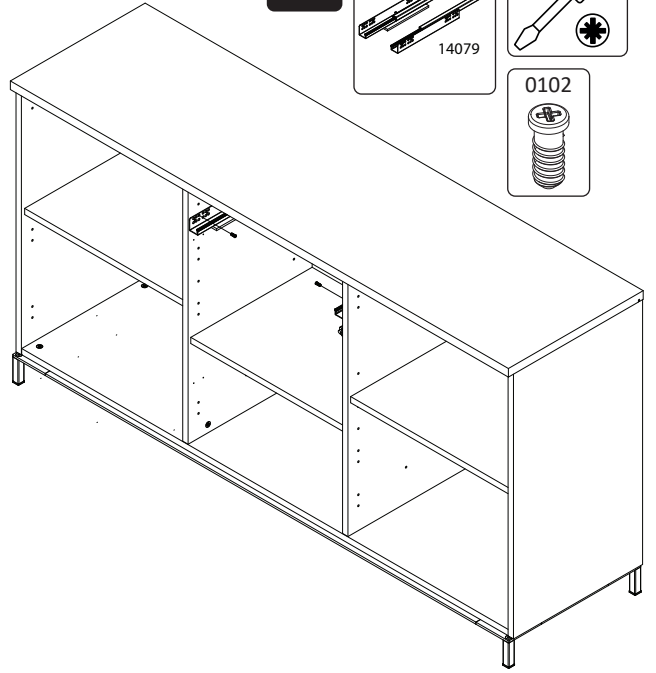
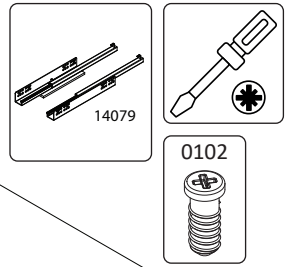




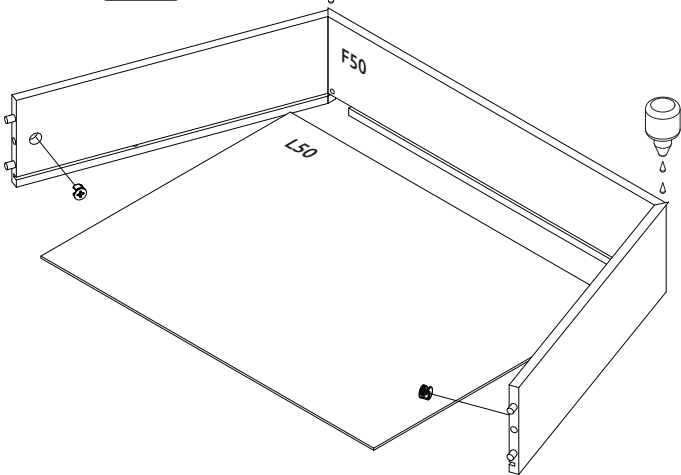
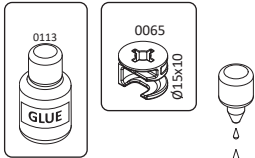
13



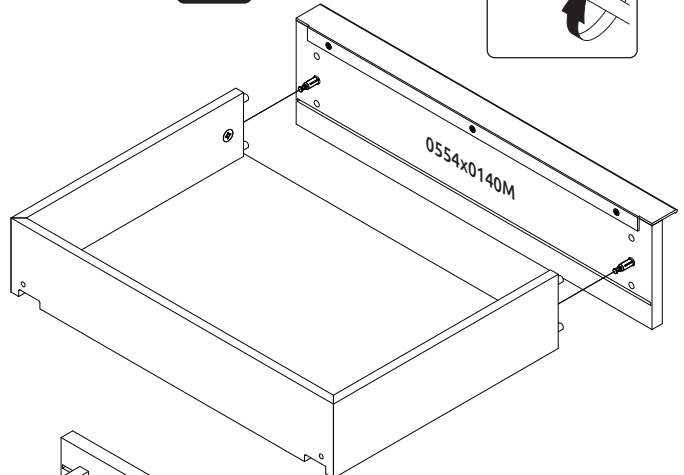
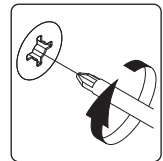
14



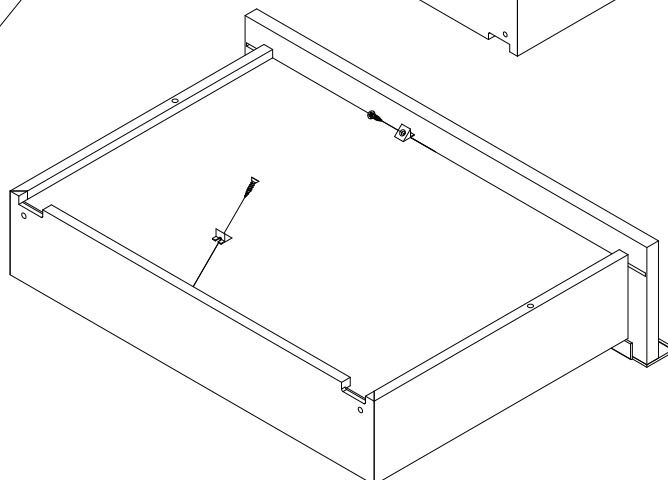
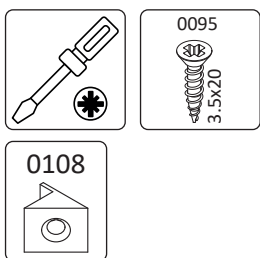
15



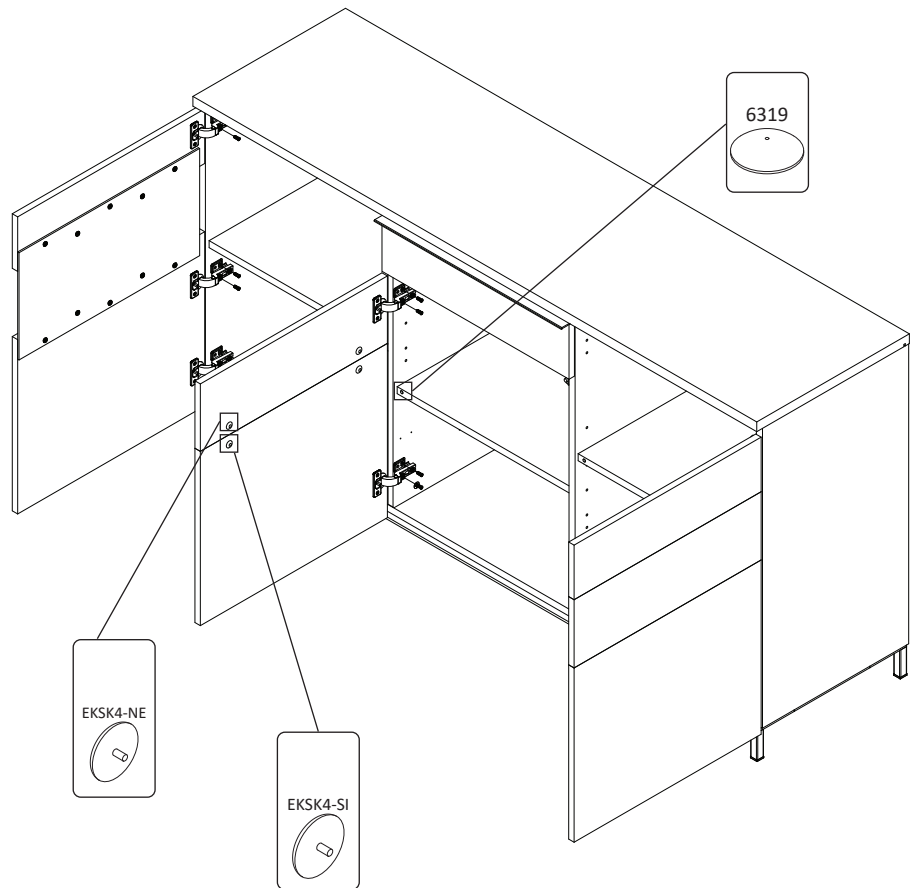
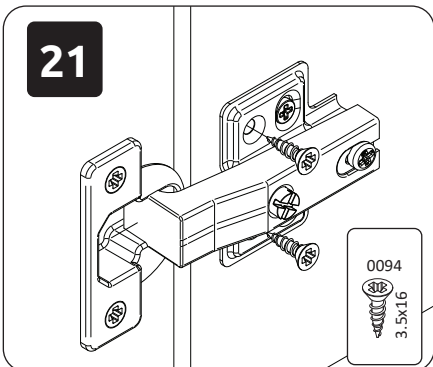
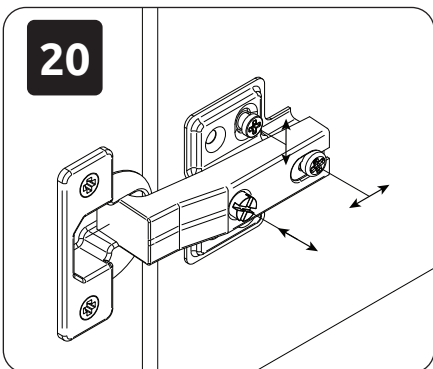
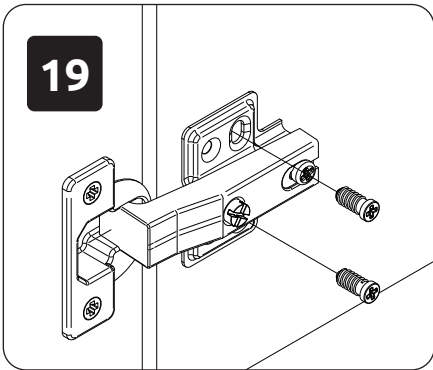
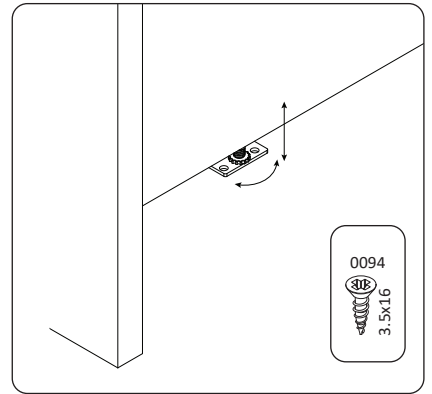
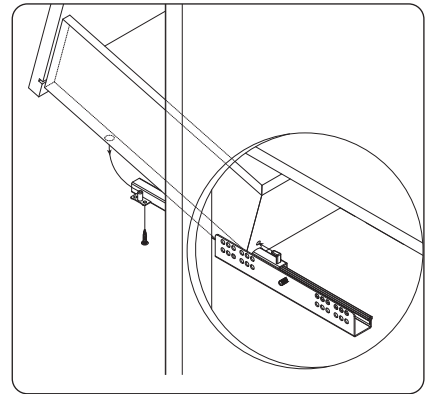
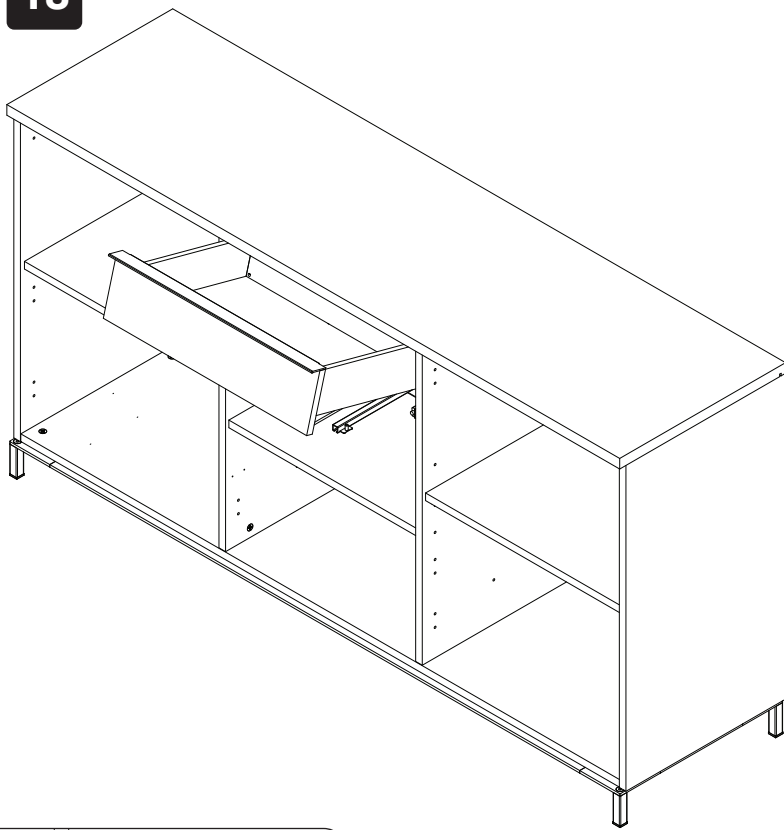
16



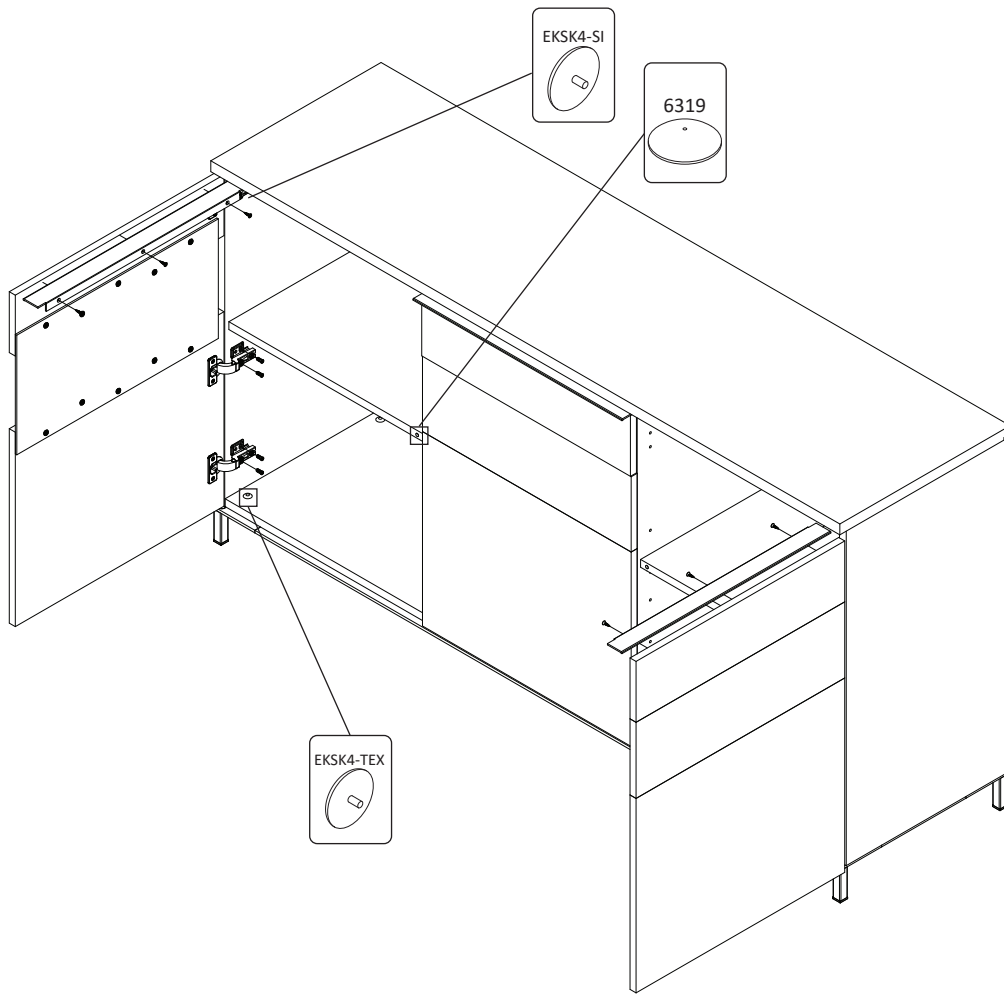
17



18







22

