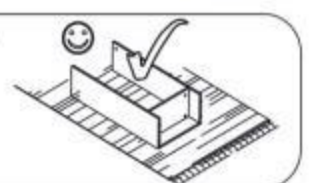
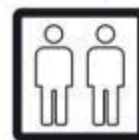
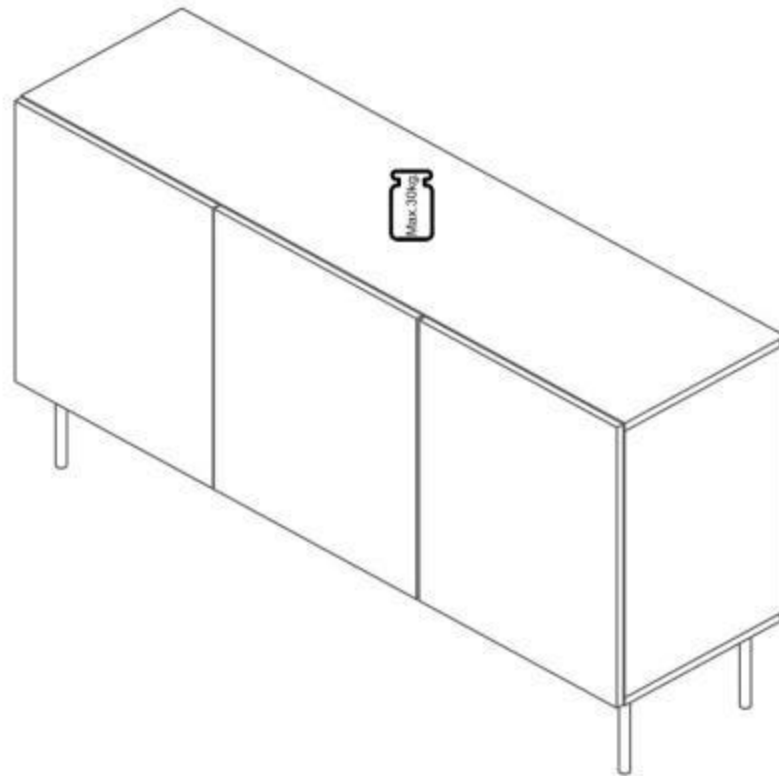


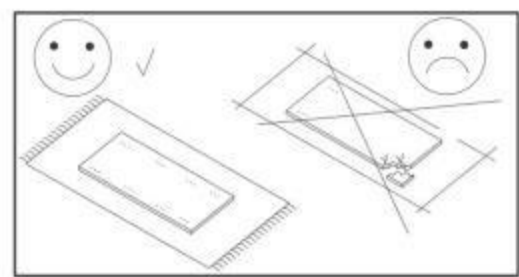
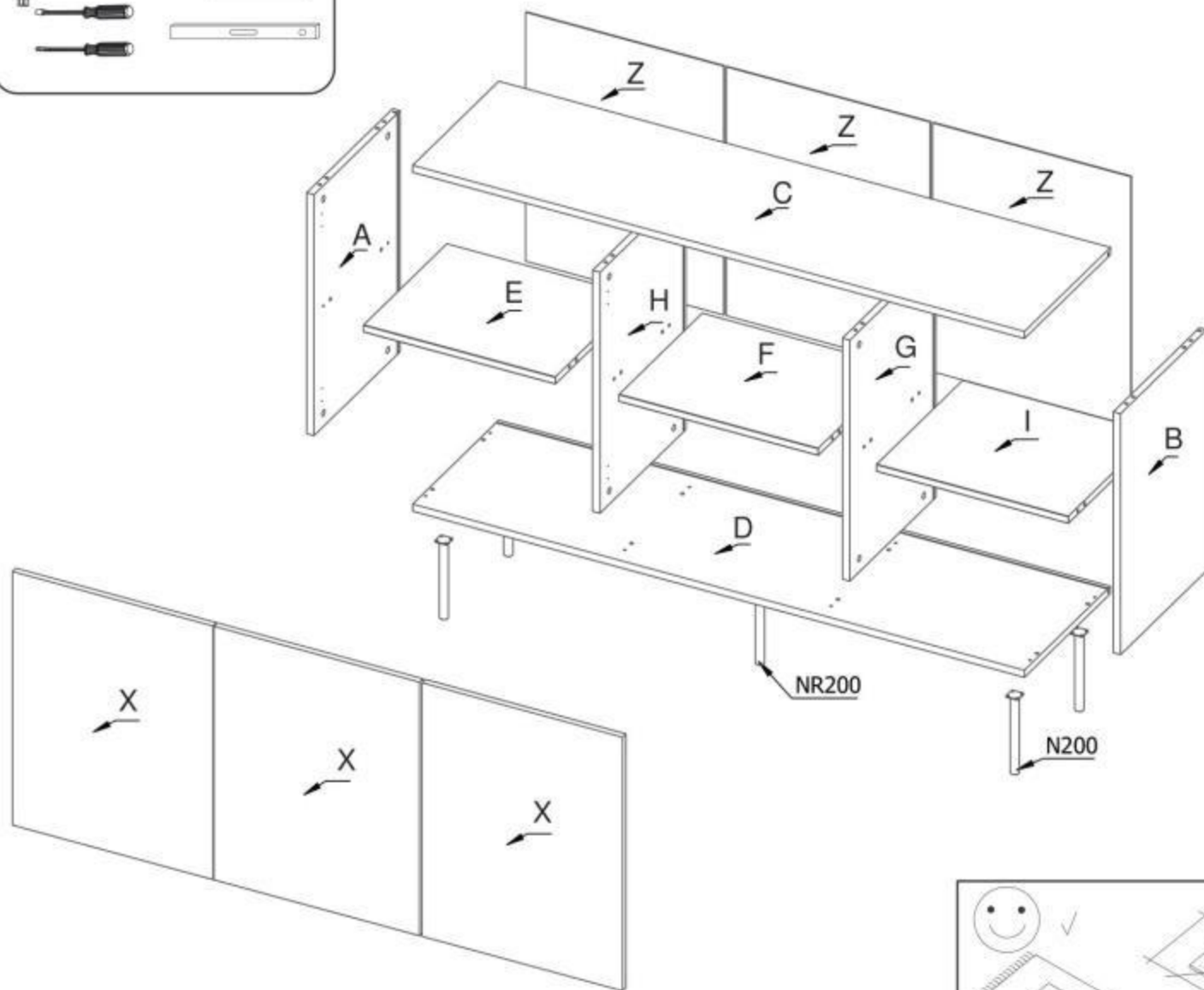
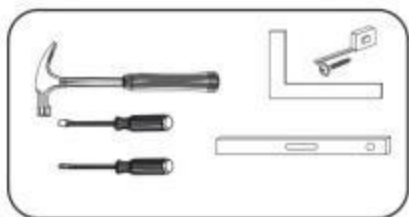
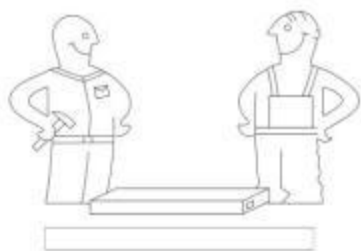
IMPORTANT – READ CAREFULLY – RETAIN FOR FUTURE REFERENCE

WICHTIG – SORGFÄLTIG LESEN UND AUFBEWAHREN





# ASENSIO KOM 3D

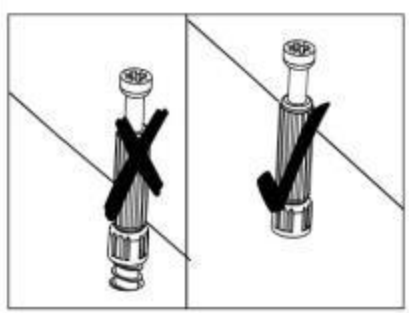
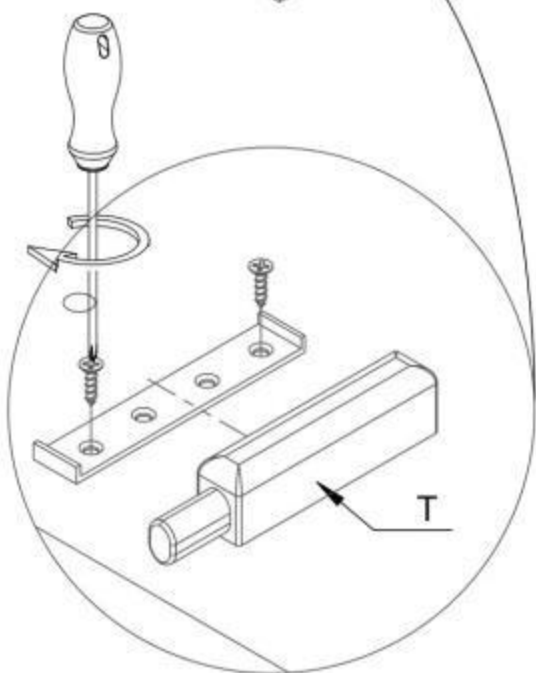
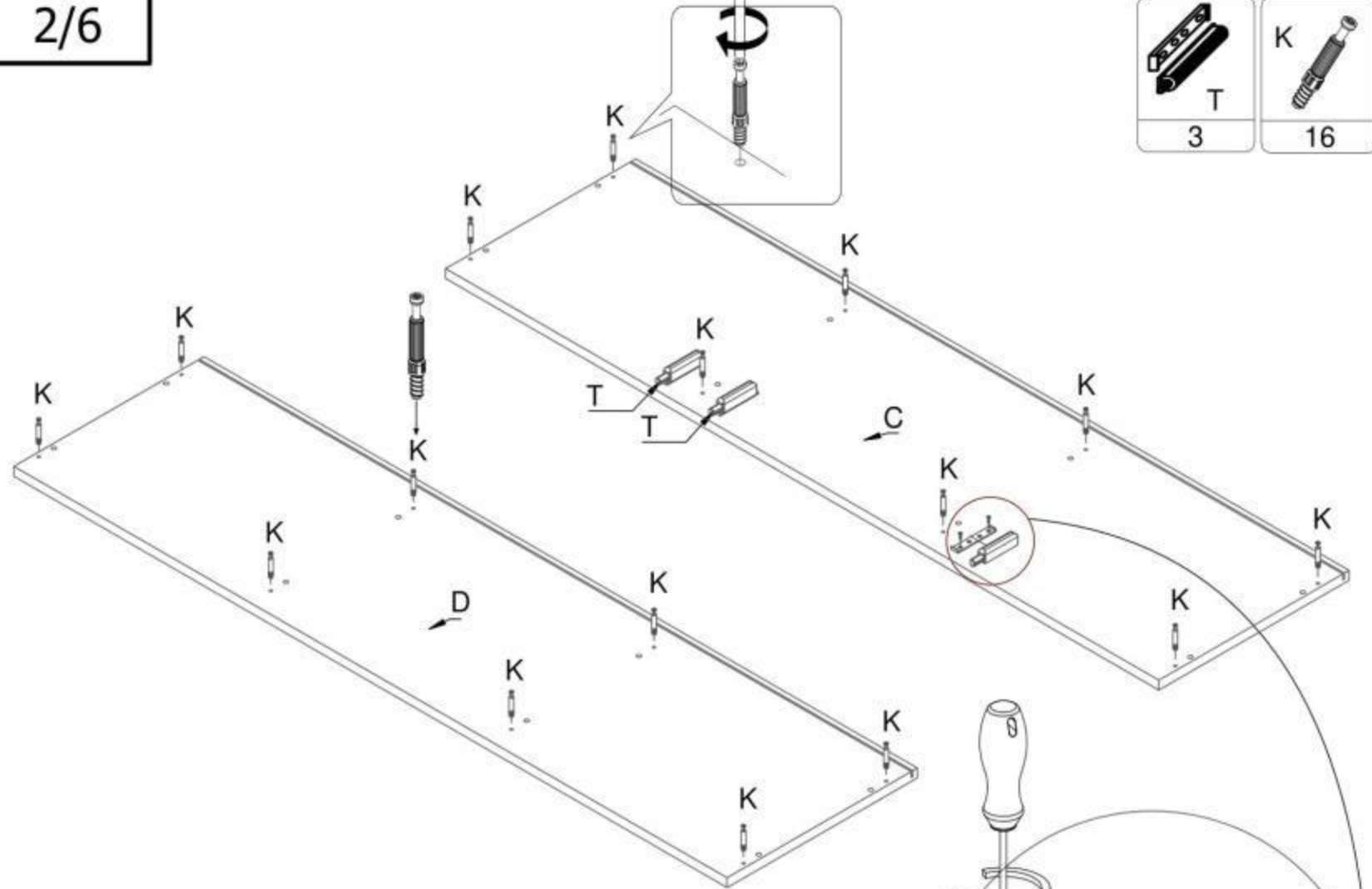




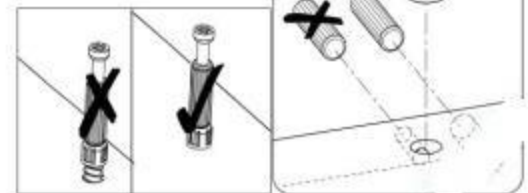
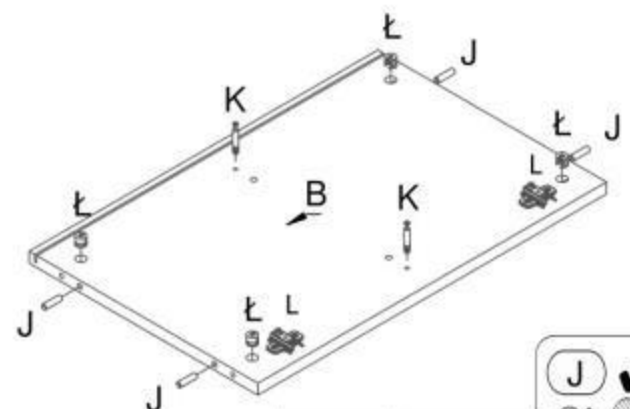
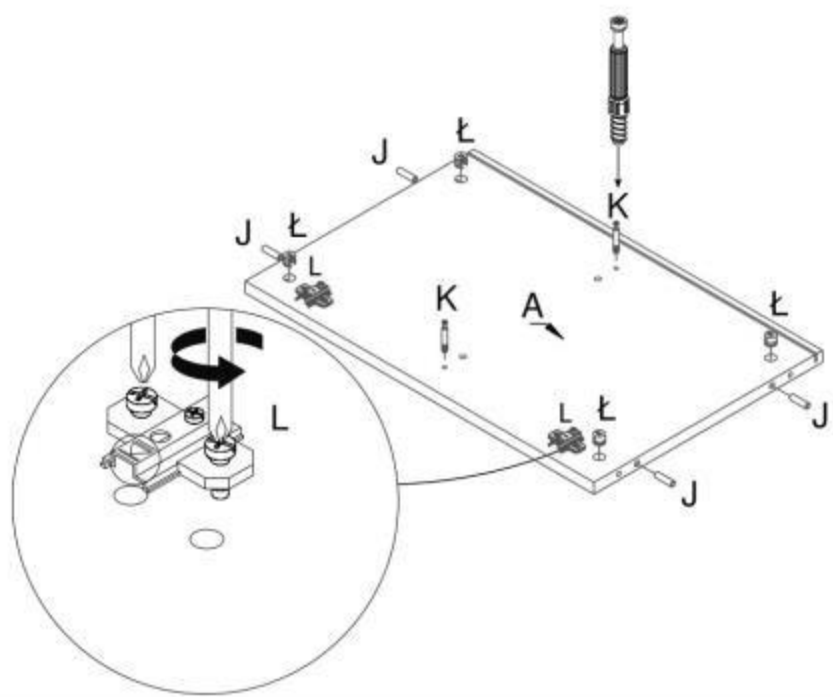
J  20	K  20	L  28	M  6	N  28
O  18	P  4	R  4	S  12	T  3
				W  20






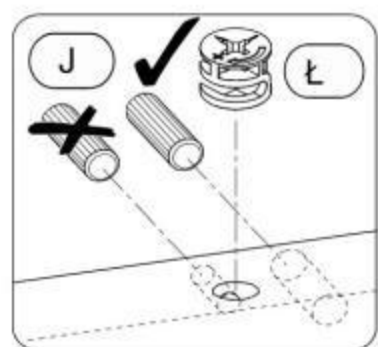
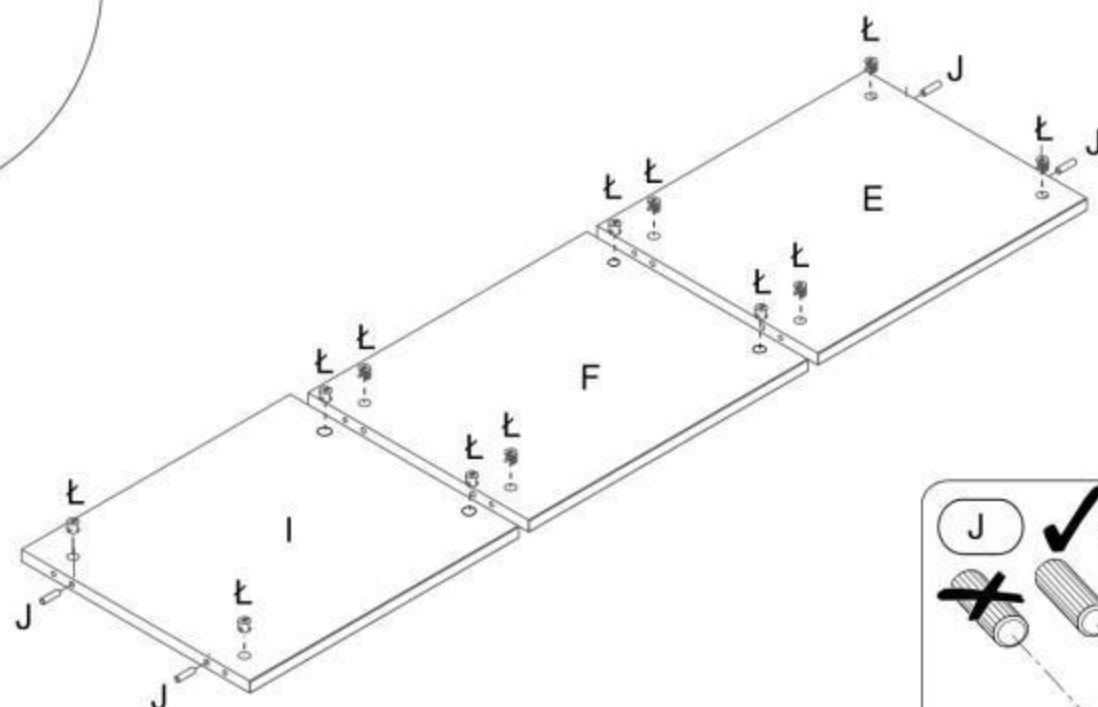
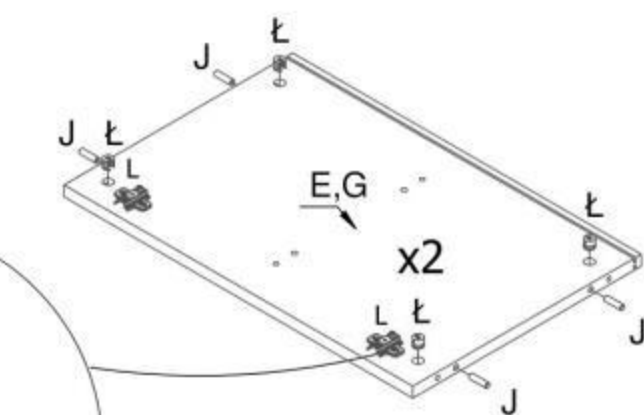
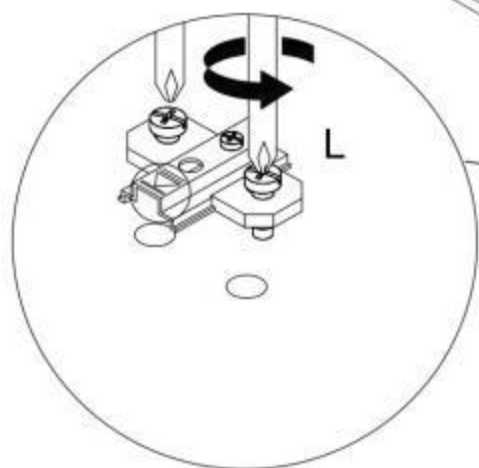
- |                                                                                    |                                                                                    |
|------------------------------------------------------------------------------------|------------------------------------------------------------------------------------|
|  |  |
| T                                                                                  | K                                                                                  |
| 3                                                                                  | 16                                                                                 |




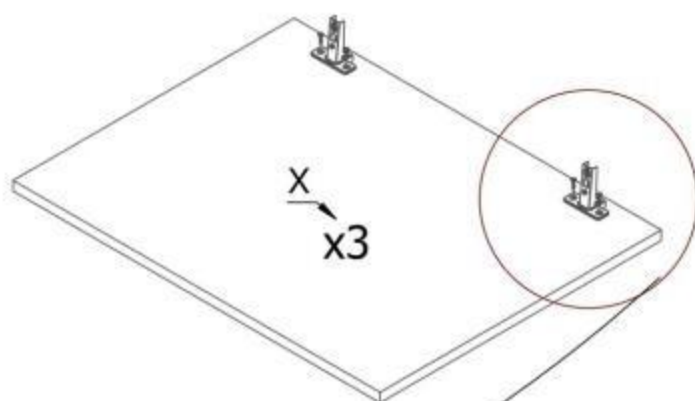
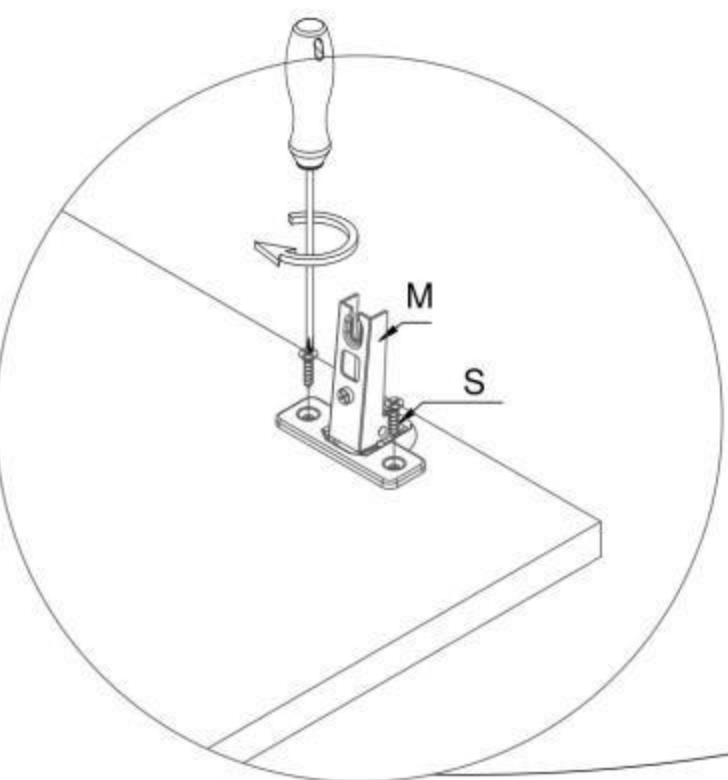
- |                                                                                       |                                                                                       |                                                                                       |                                                                                       |
|---------------------------------------------------------------------------------------|---------------------------------------------------------------------------------------|---------------------------------------------------------------------------------------|---------------------------------------------------------------------------------------|
|  |  |  |  |
| K                                                                                     | L                                                                                     | L                                                                                     | J                                                                                     |
| 4                                                                                     | 4                                                                                     | 8                                                                                     | 8                                                                                     |

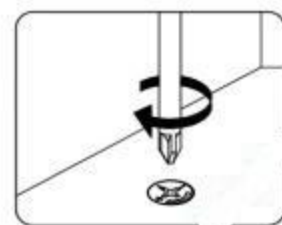
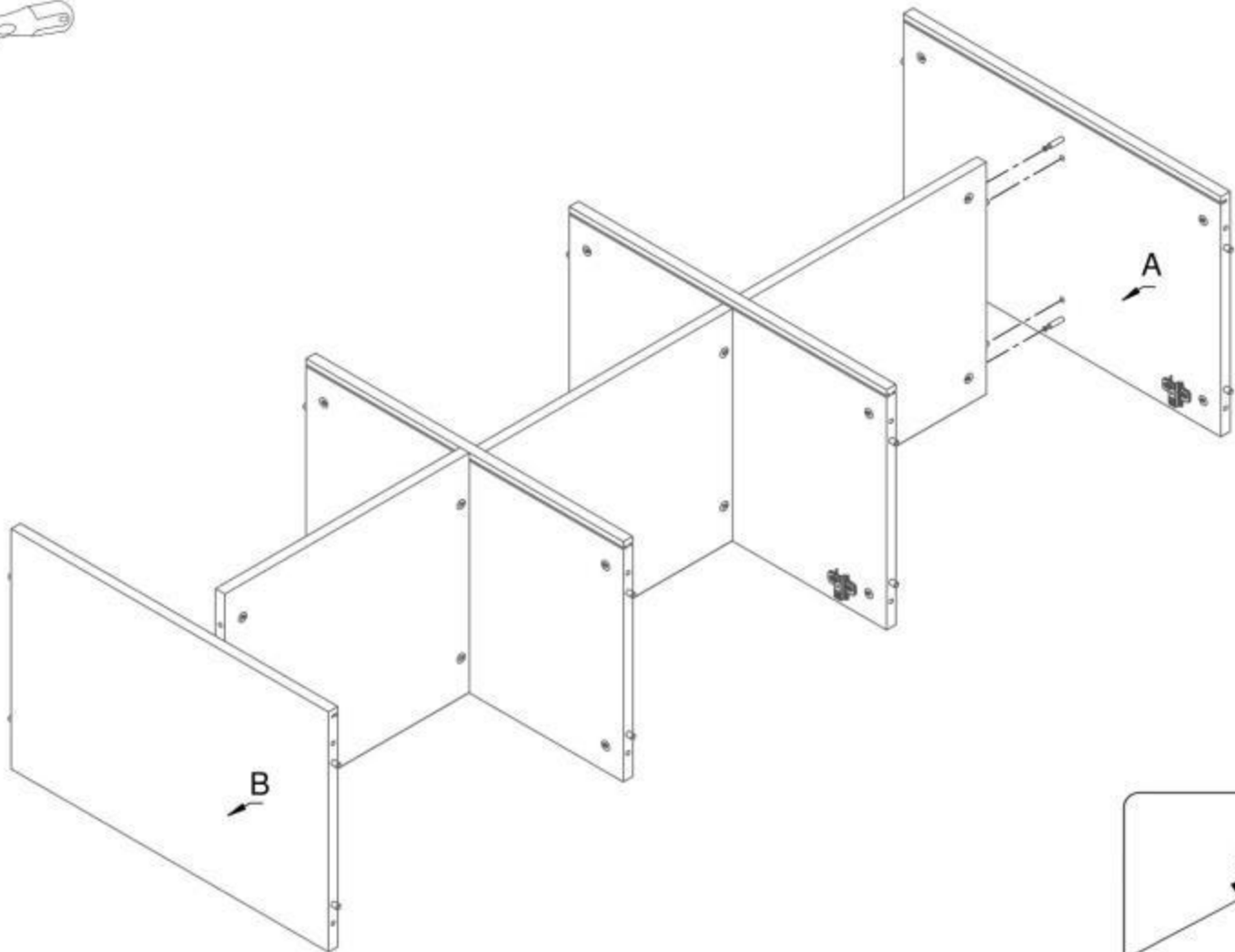
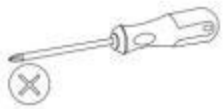
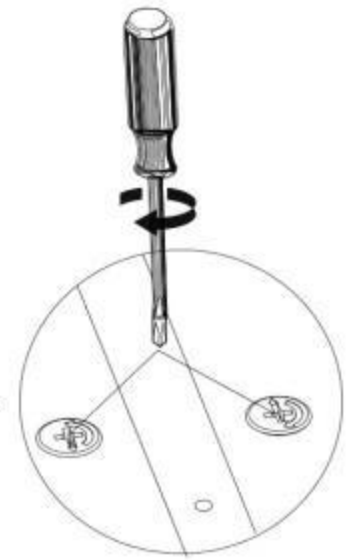
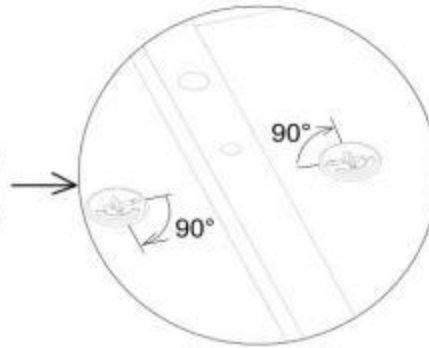
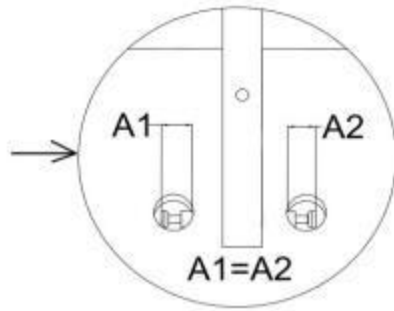
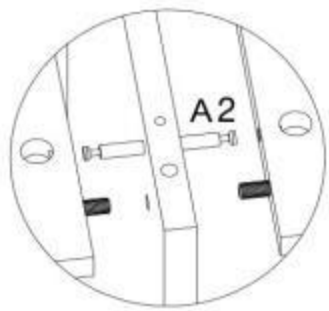
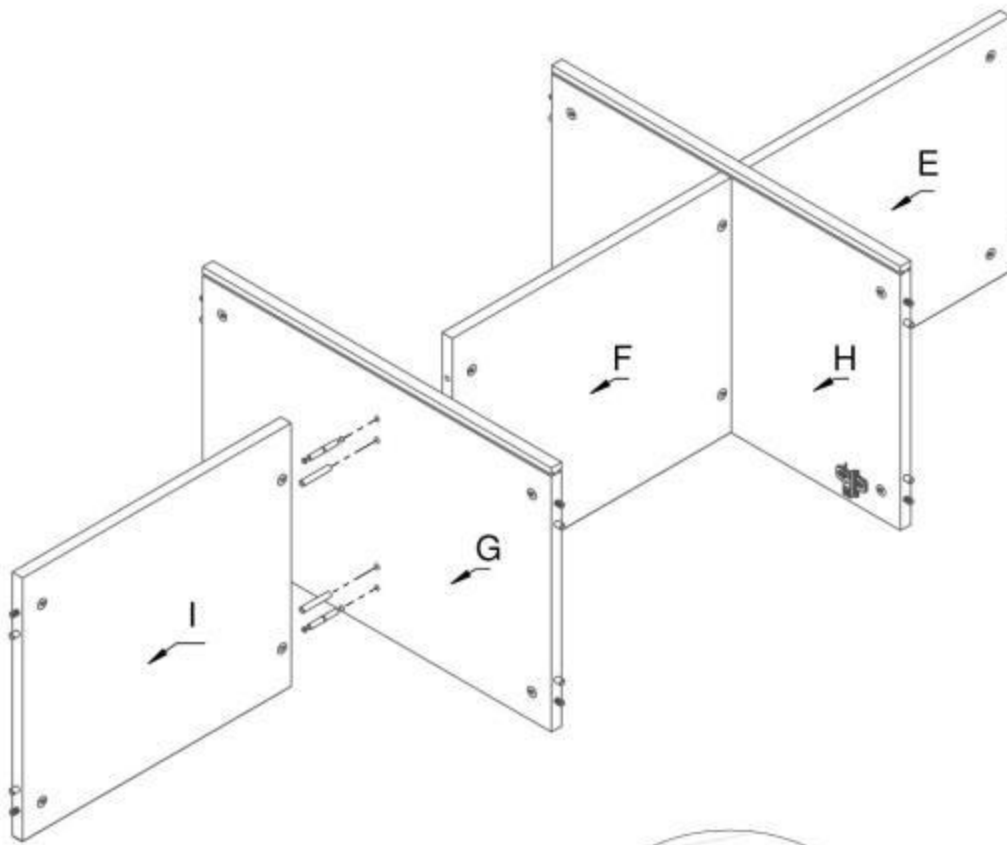
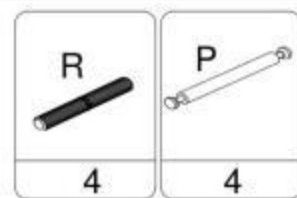


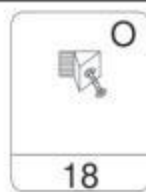
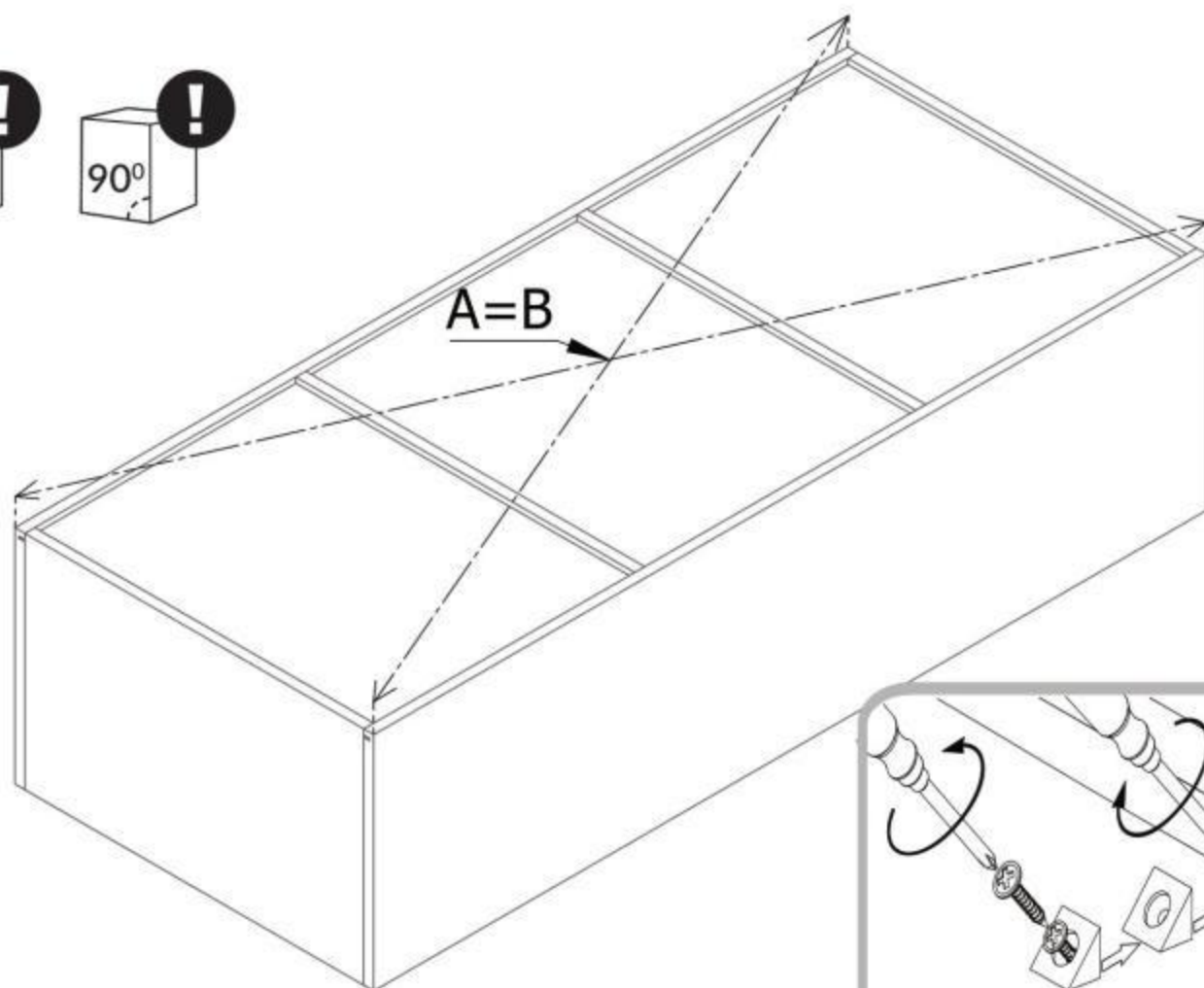
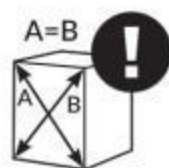
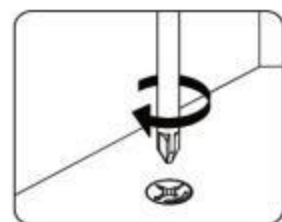
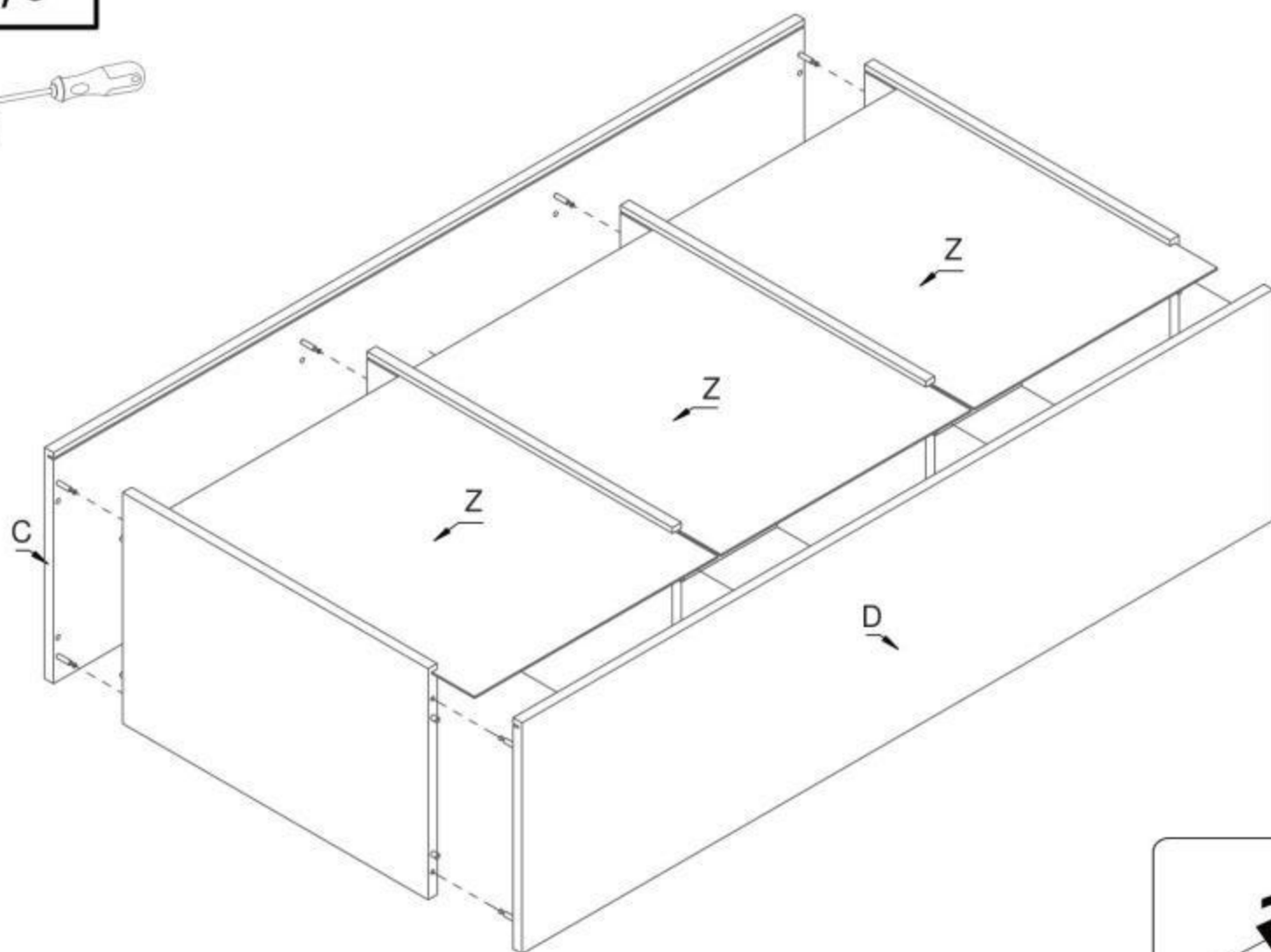
L	⌘	J
		
2	20	12



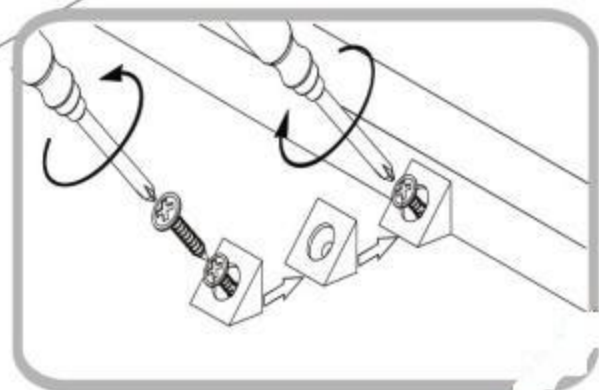
S	M
	
12	6

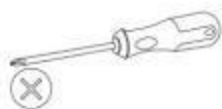






18





 NR 200	 W	 N200
1	20	4

