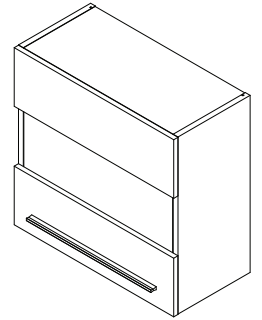
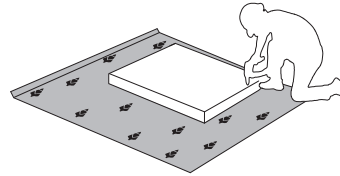
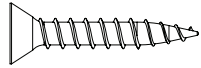


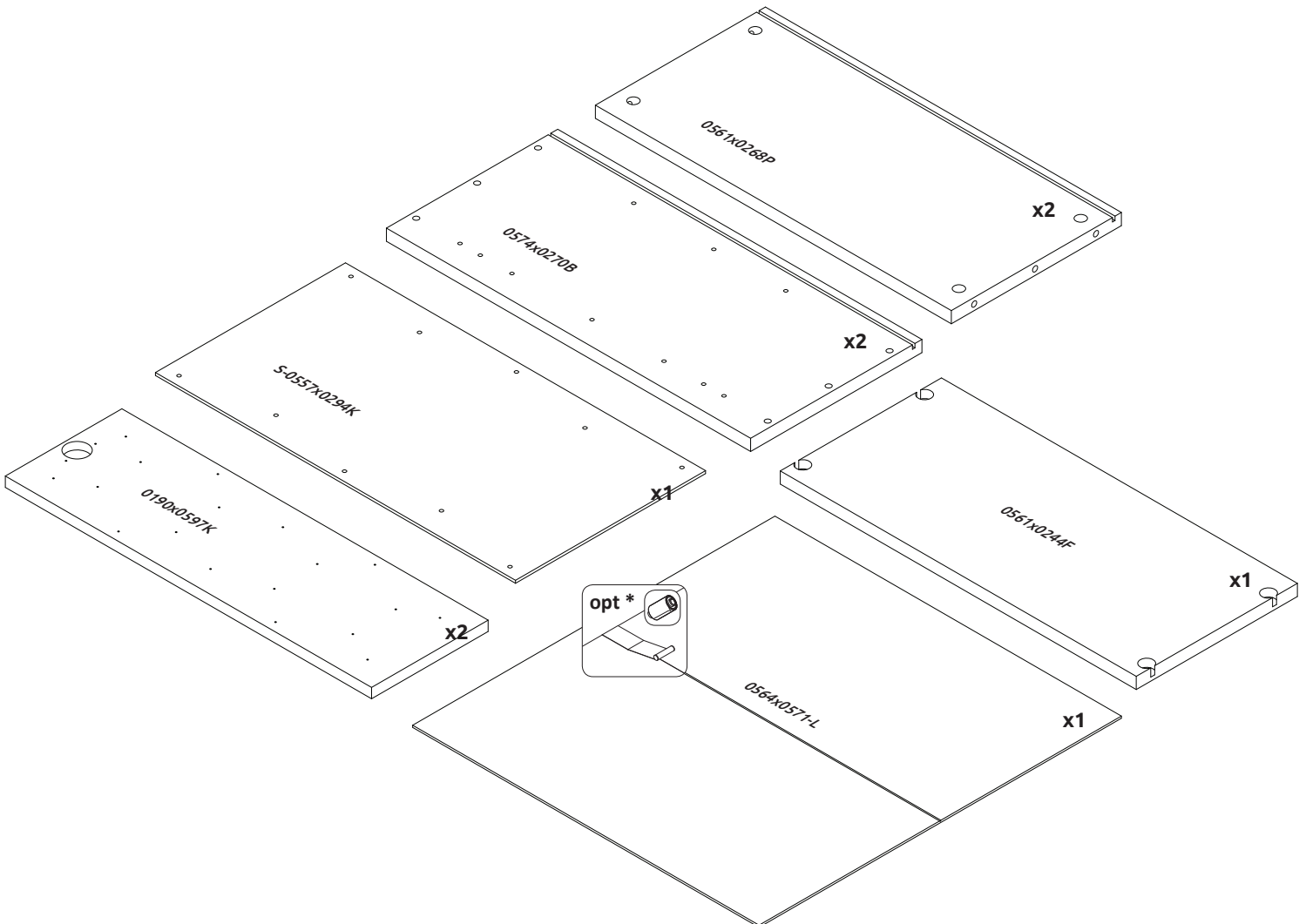


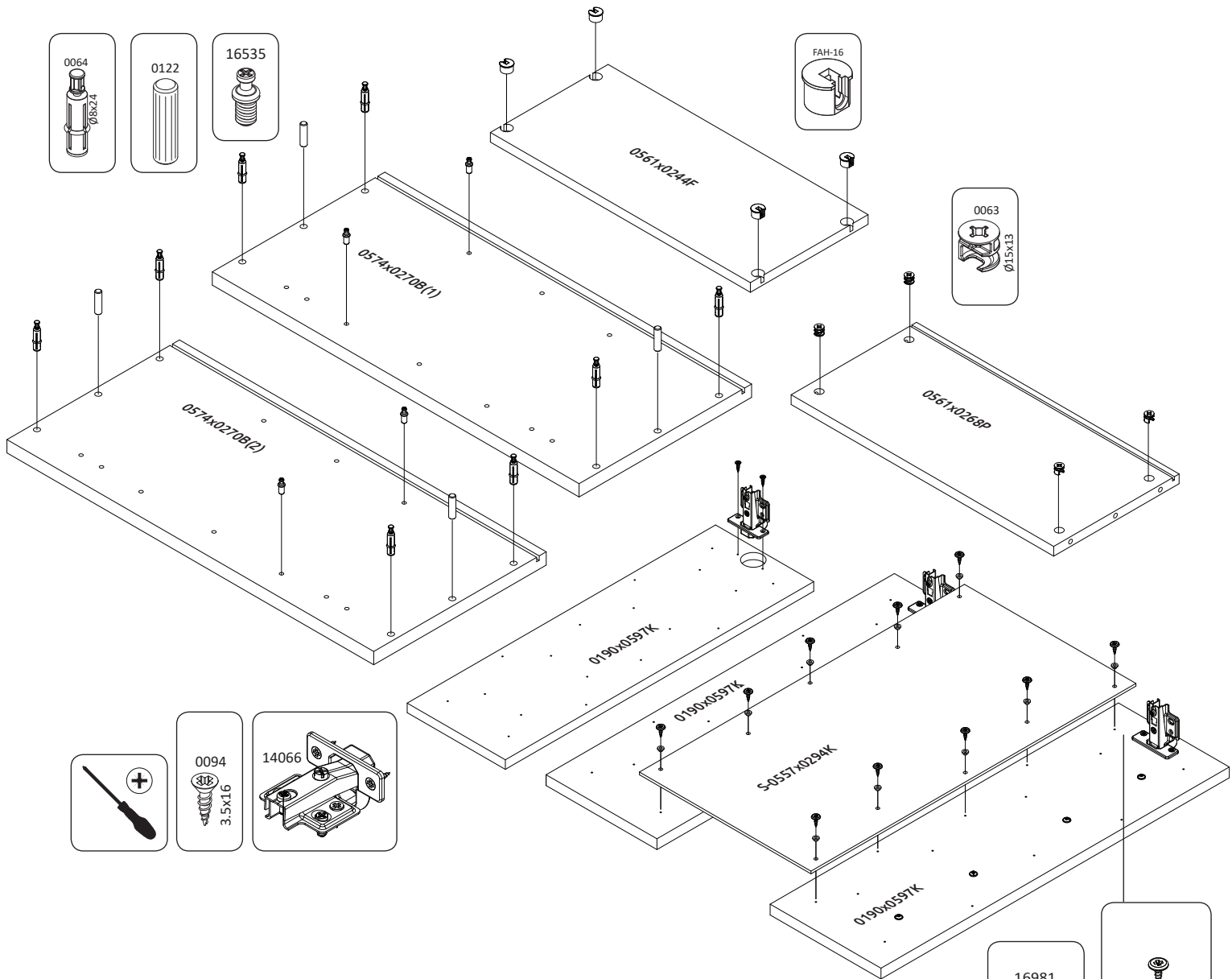
IMPORTANT – READ CAREFULLY – RETAIN FOR FUTURE REFERENCE
WICHTIG – SORGFÄLTIG LESEN UND AUFBEWAHREN



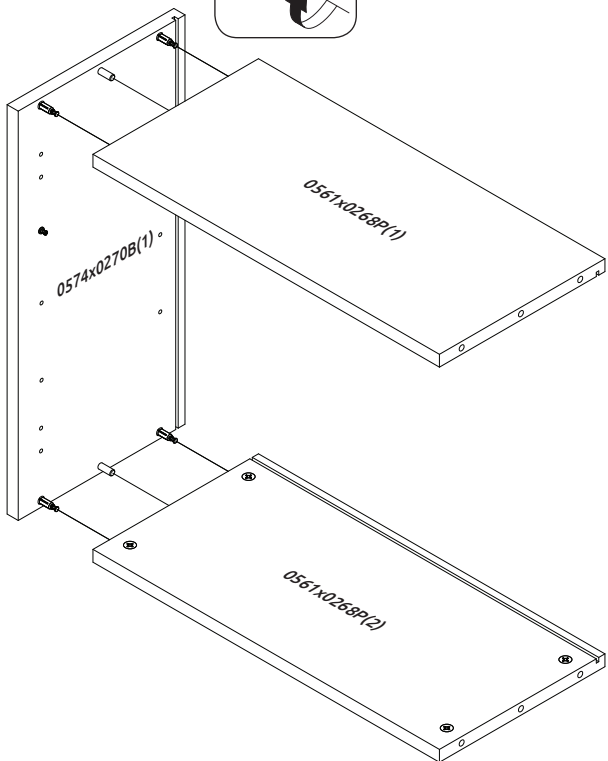
VK60-1KS/PN
 LWH - 597x286x574
 41752

- | | | | | | | | | | | | |
|---------------------------|-----------------------------|-----------------------------|---------------------|------------------------------|--------------------|-------------------------------|---------------------|-------------------|--------------------|-------------------|-----------------------------|
| x8
0096
4x18 | x8
0095
3.5x20 | x4
32256
V4x23 | x4
16535 | x8
0064
Ø8x24 | x4
0122 | x8
0063
Ø1.5x1.3 | x4
FAH-16 | x1
6319 | x8
EKSK4 | x8
0108 | x1
0121
1.4x25 |
| x1
30820 | x2
14066 | x2
NEL | x10
16981 | x10
9012
4.2x16 | x1
15741 | x2
0094
3.5x16 | | | | | |

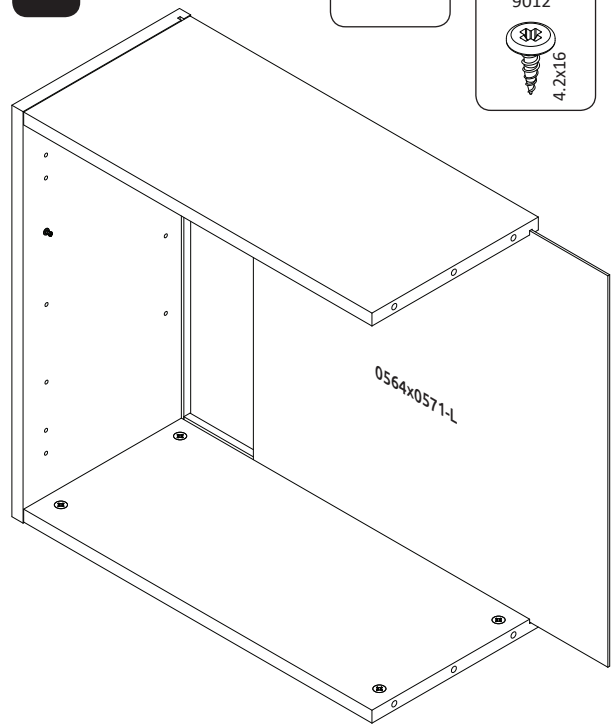
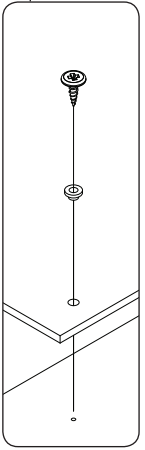




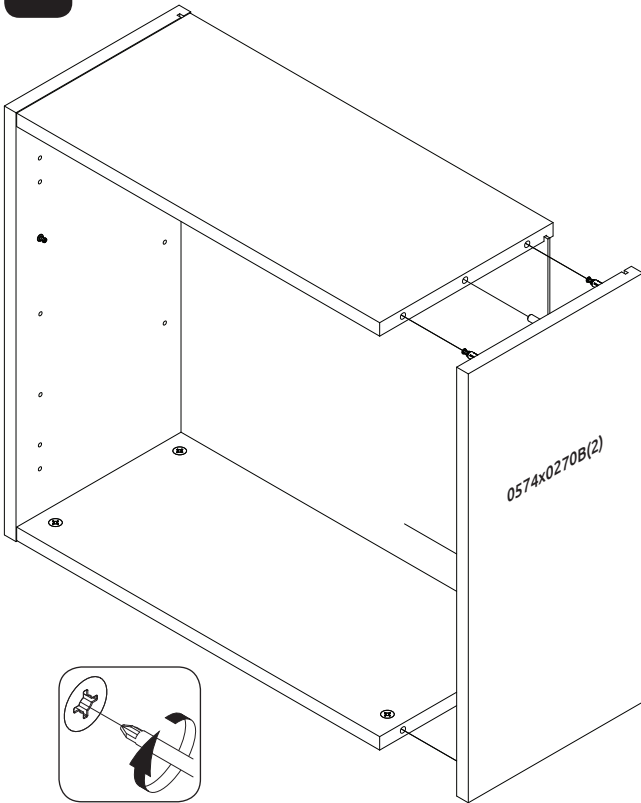
1



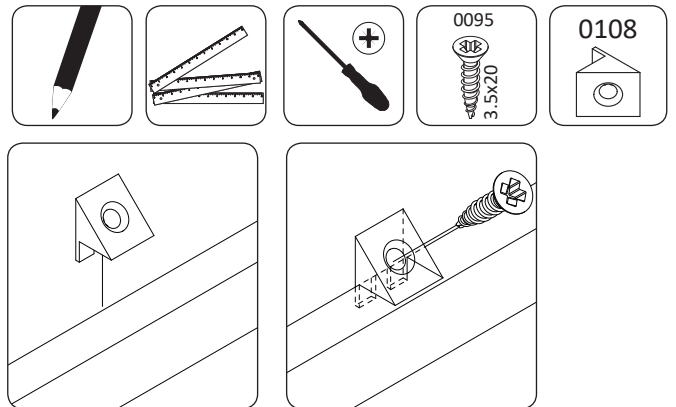
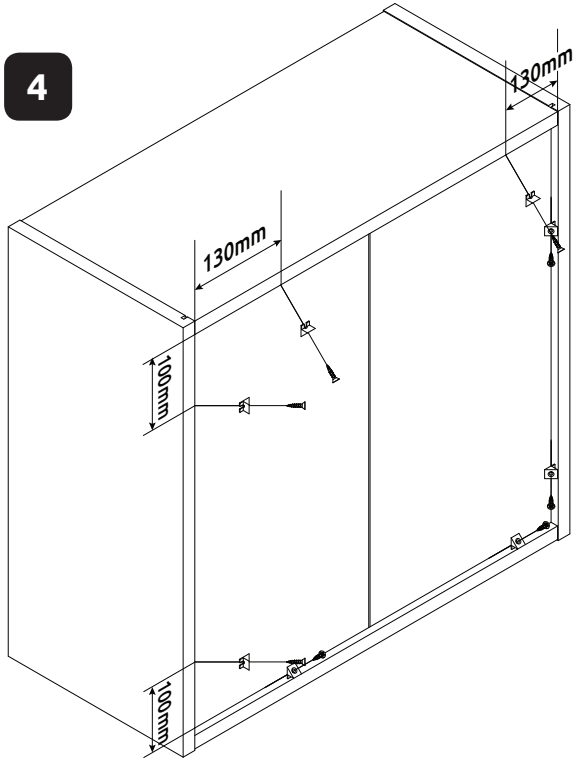
2



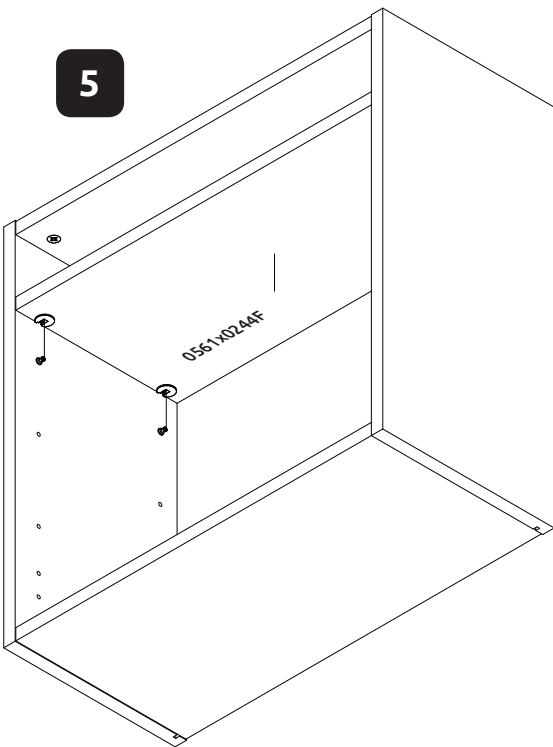
3



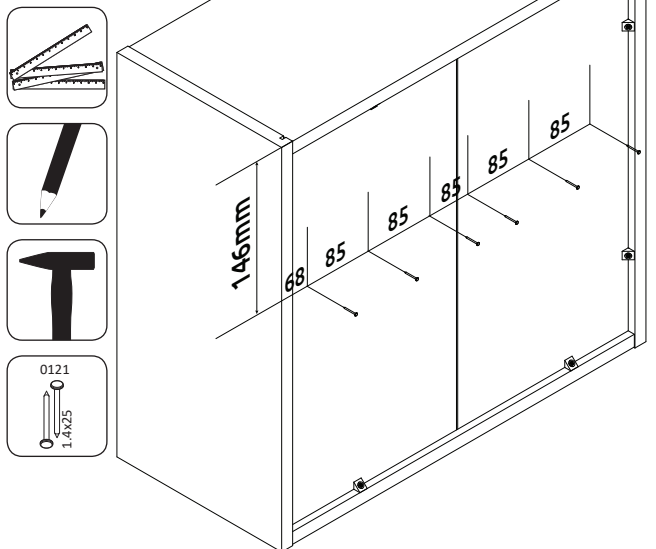
4

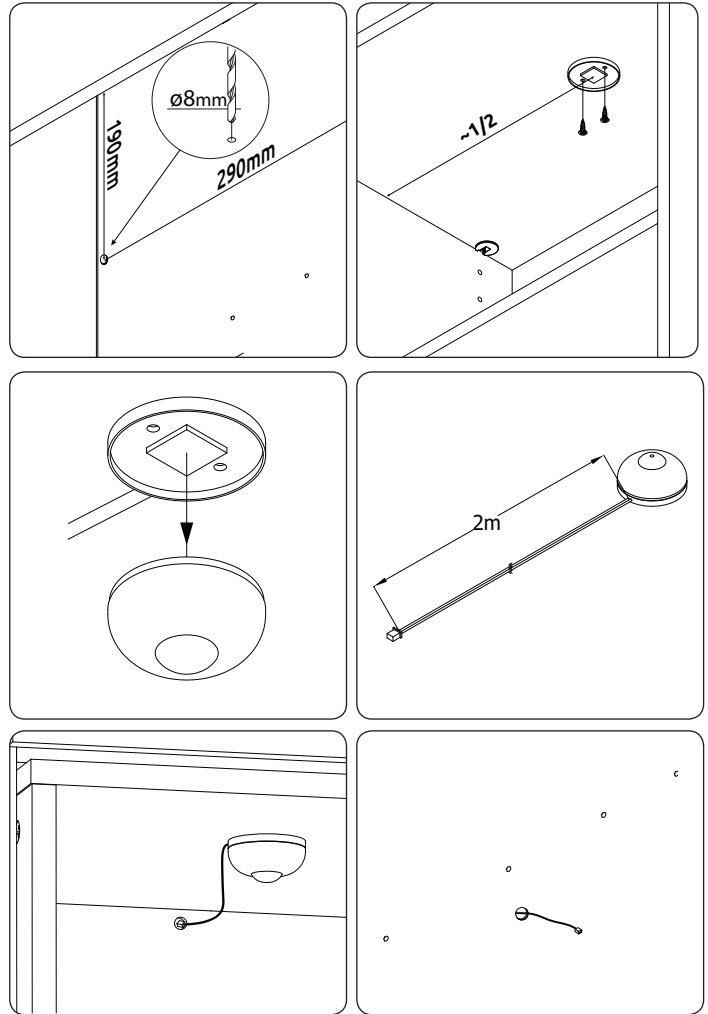
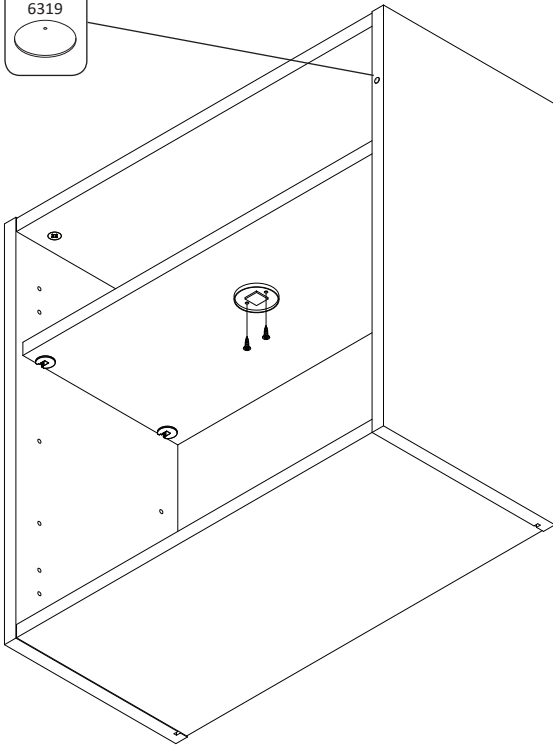
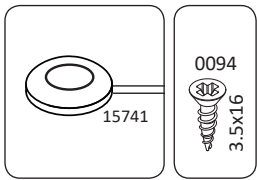


5

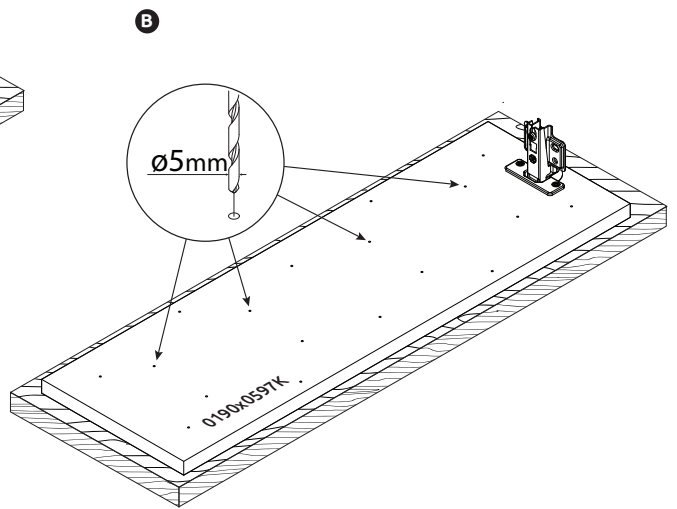
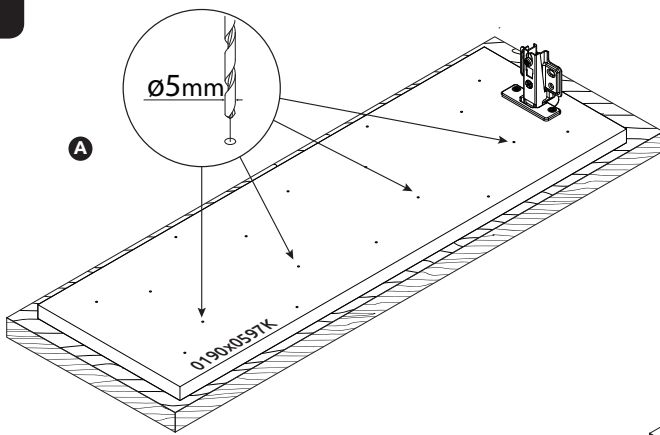


6

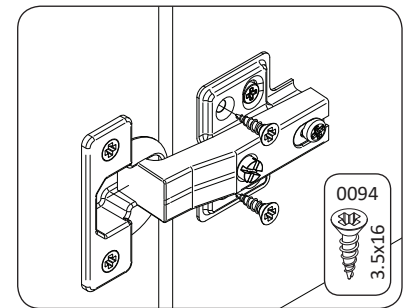
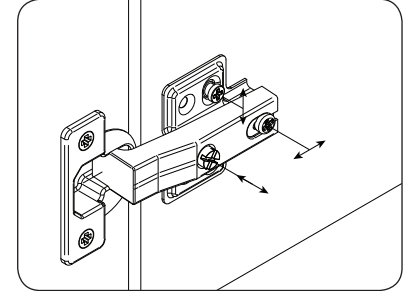
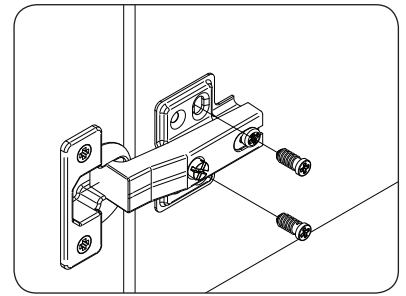
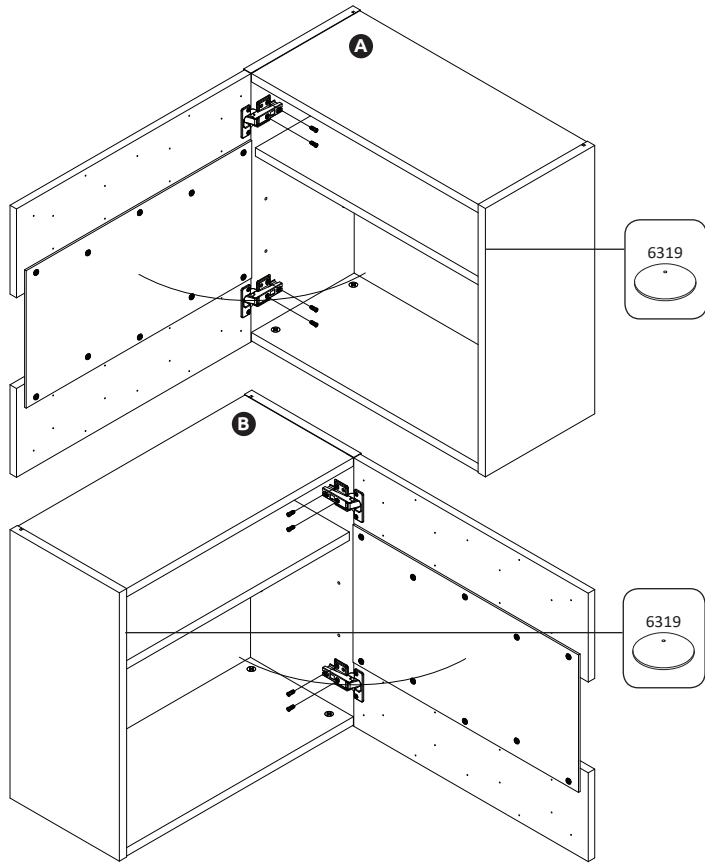




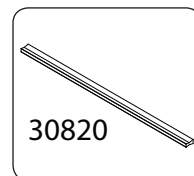
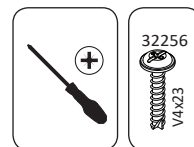
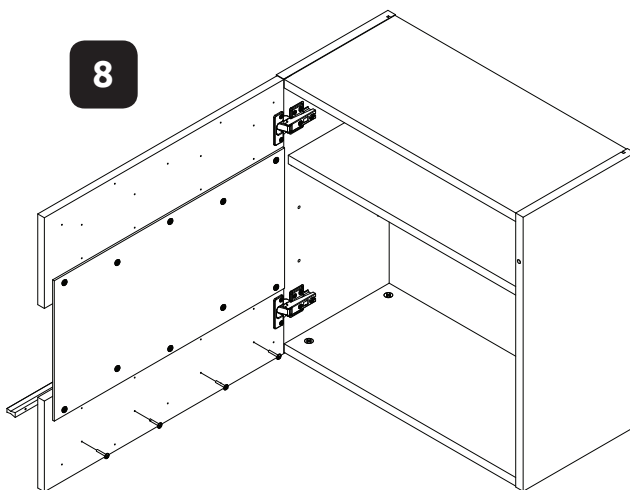
6



7



8



9

