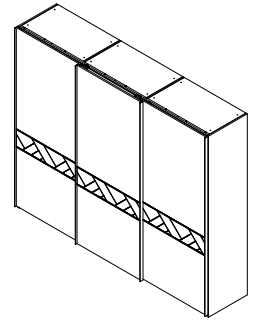
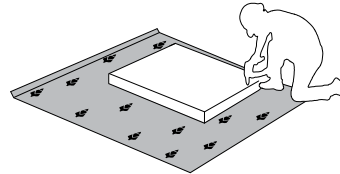
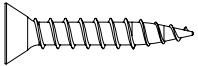
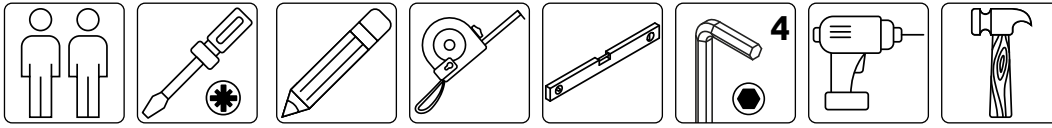


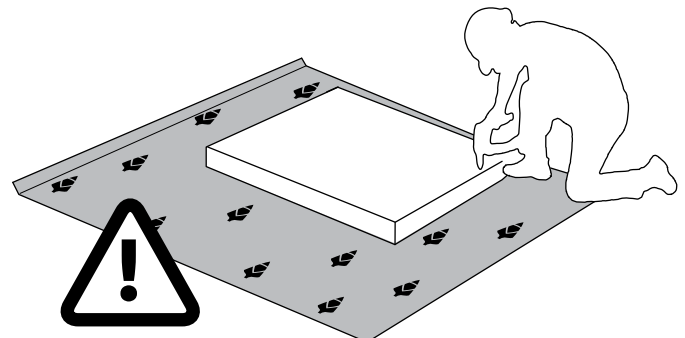


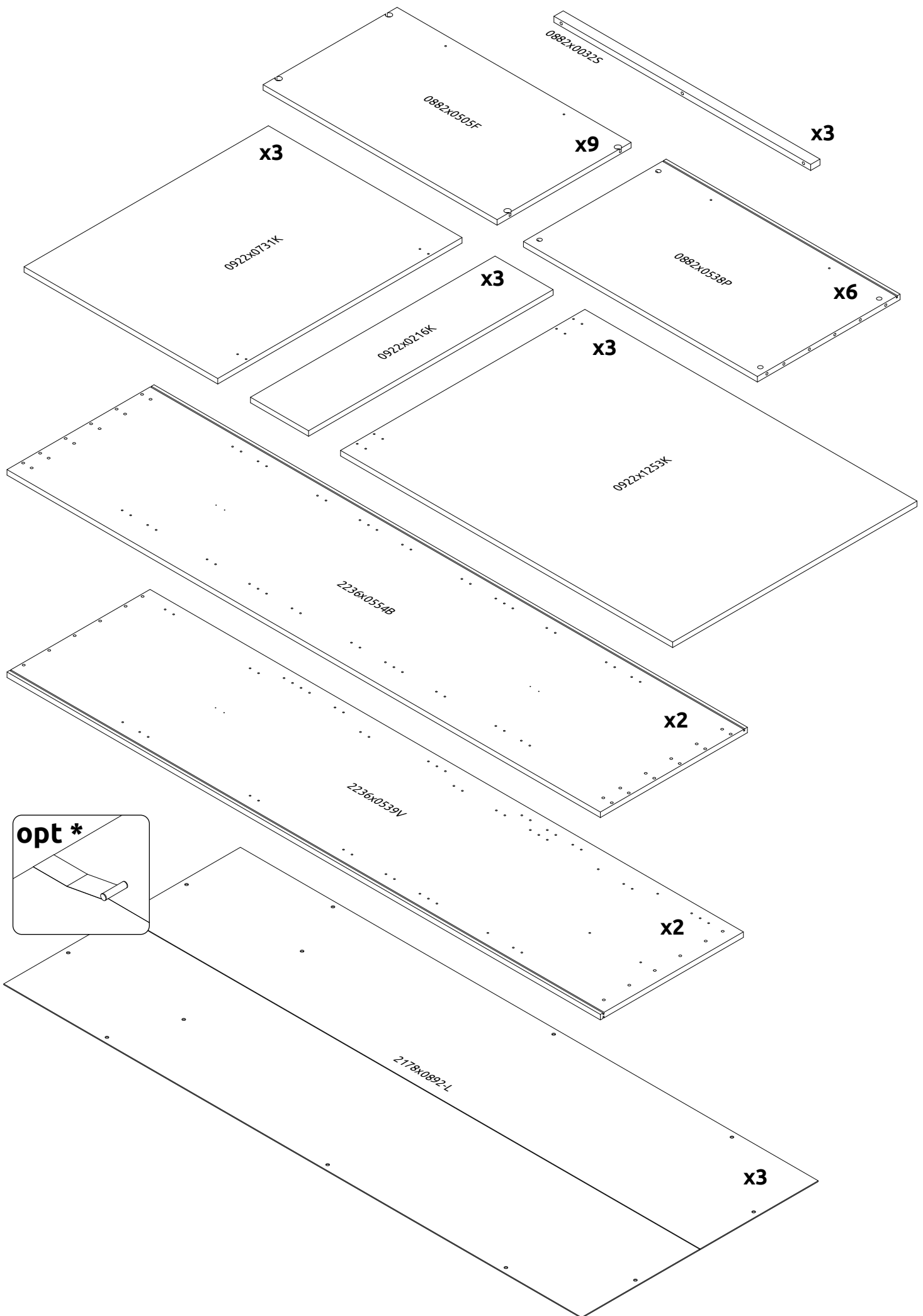
IMPORTANT - READ CAREFULLY - RETAIN FOR FUTURE REFERENCE  
WICHTIG - SORGFÄLTIG LESEN UND AUFBEWAHREN

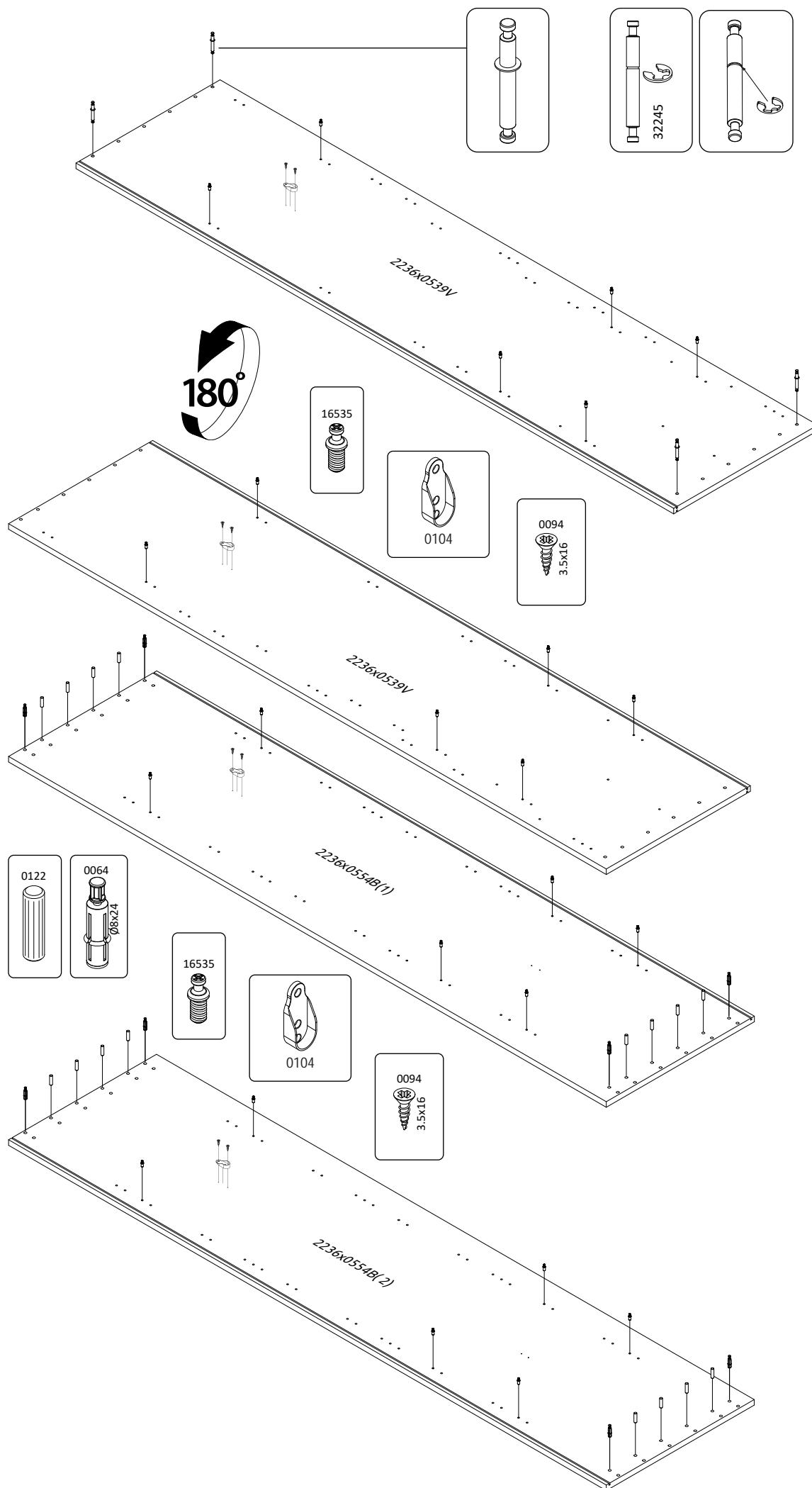


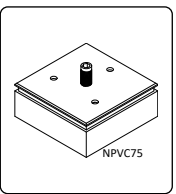
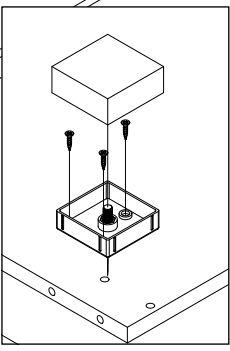
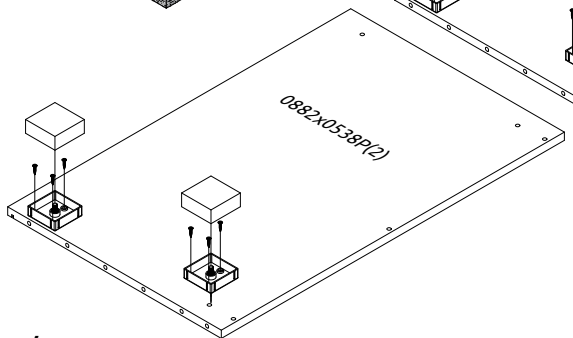
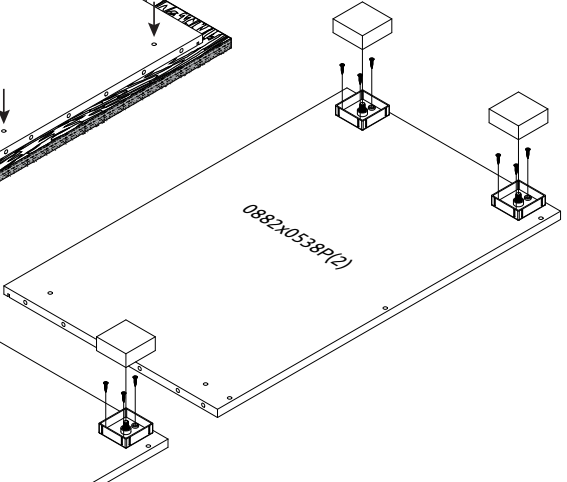
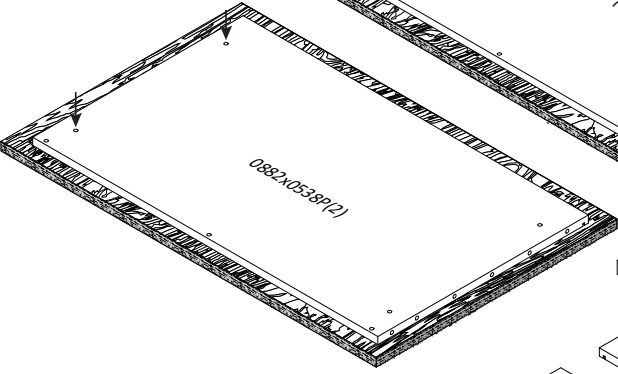
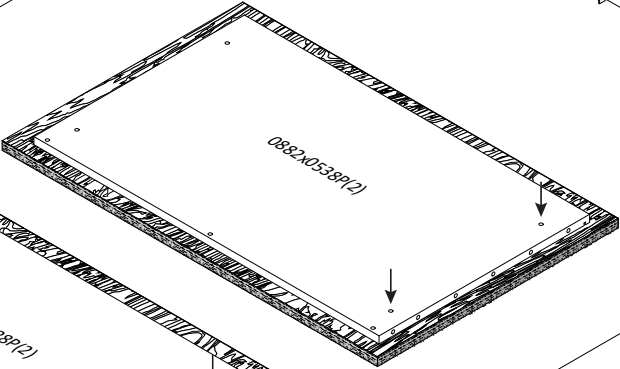
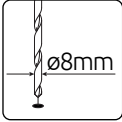
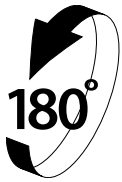
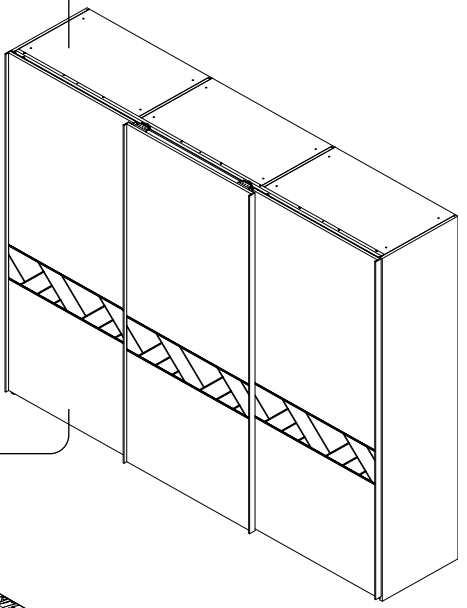
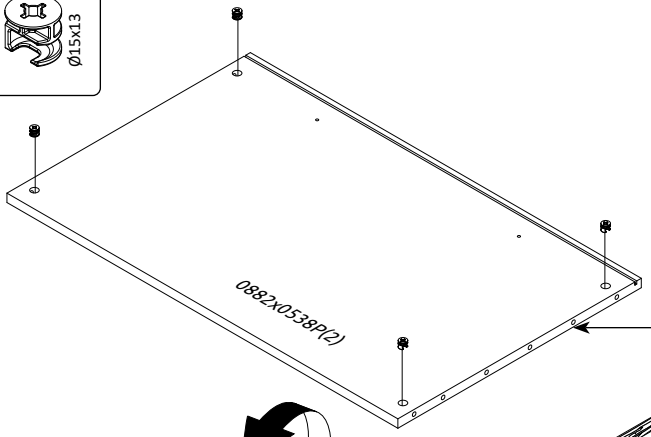
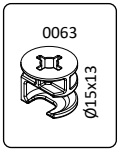
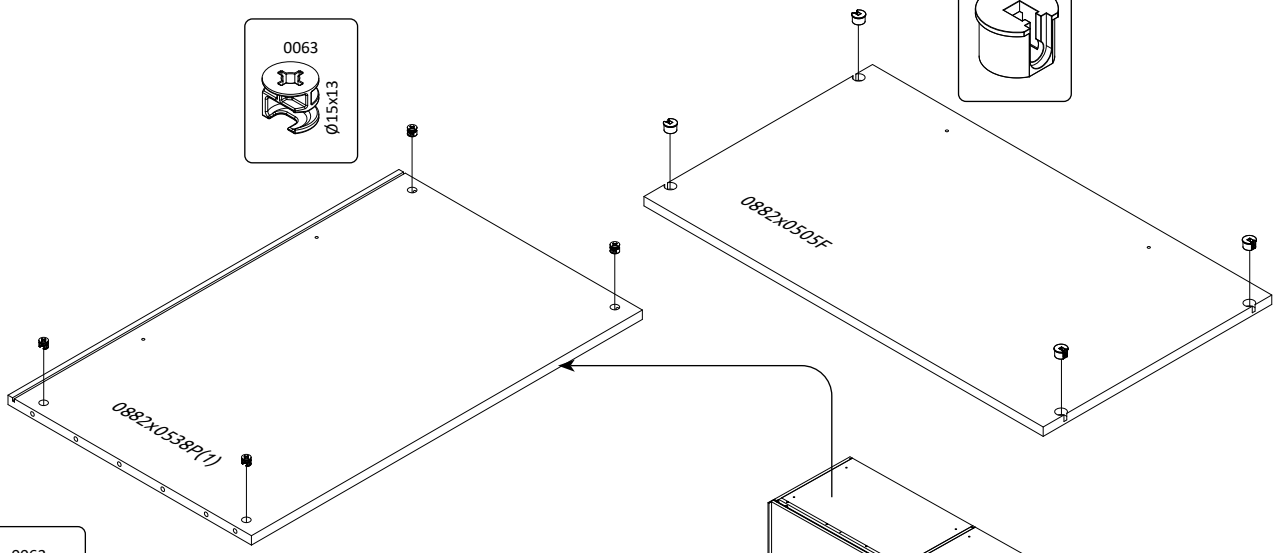
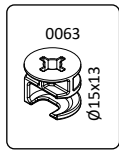
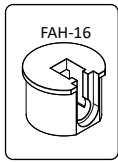
**PK281/AV**  
LWH - 2718x611x2236

<b>x36</b> 2149 	<b>24</b> 0063 Ø15x13 	<b>x8</b> 0064 Ø8x24 	<b>x36</b> 16535 	<b>x22</b> 0102 	<b>x24</b> EKSK4-BE 	<b>x2</b> 2114 4x35 	<b>x84</b> 0094 3.5x16 	<b>x90</b> 31777 4.2x16 	<b>x13</b> 0096 4x18 					
<b>x3</b> 7004 	<b>x6</b> 30812 	<b>x2</b> 36918 	<b>x4</b> 26102 	<b>x1</b> 46946 	<b>x1</b> 46949 	<b>x1</b> 0113 GLUE 								
<b>x1</b> 46950 	<b>x8</b> NPVC75 	<b>x2</b> 								<b>x2</b> 	<b>x2</b> 	<b>x4</b> 	<b>x6</b> 	<b>x1</b> 46952 
<b>x24</b> CEP8 	<b>x36</b> FAH-16 	<b>x42</b> 0122 	<b>x8</b> 32245 											
<b>x6</b> 0104 	<b>x2</b> 10397 													
<b>x36</b> 36894 														

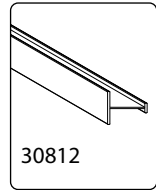
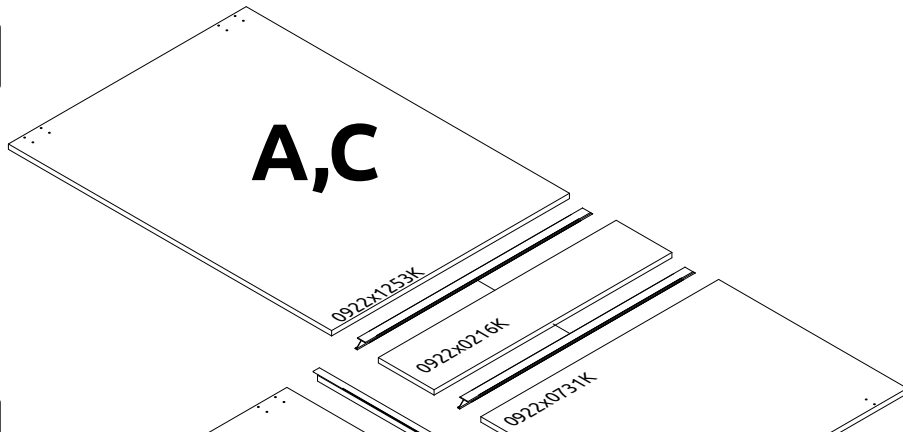




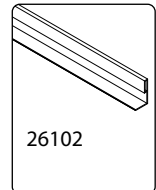
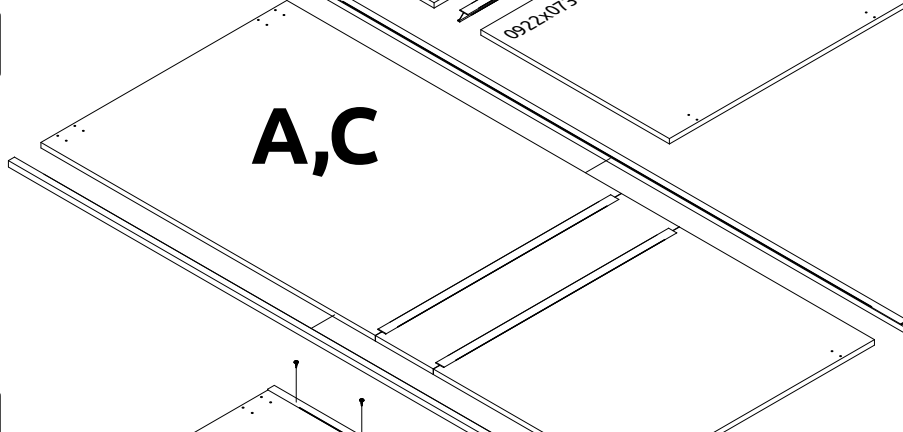




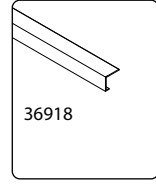
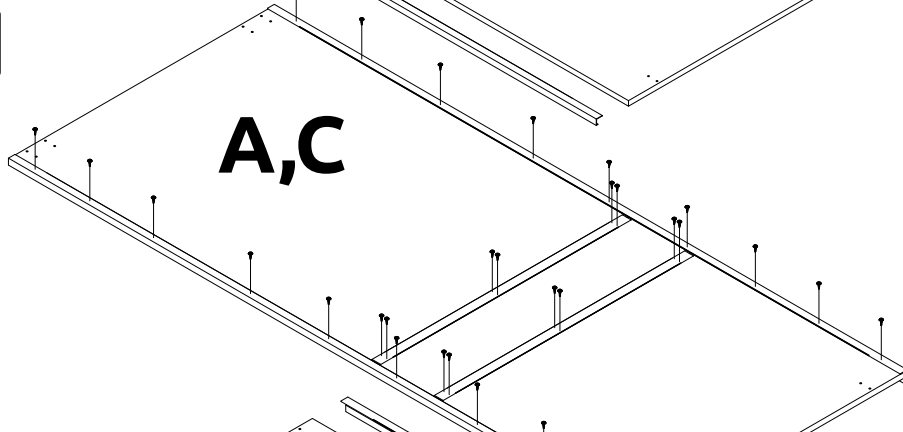
1



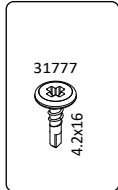
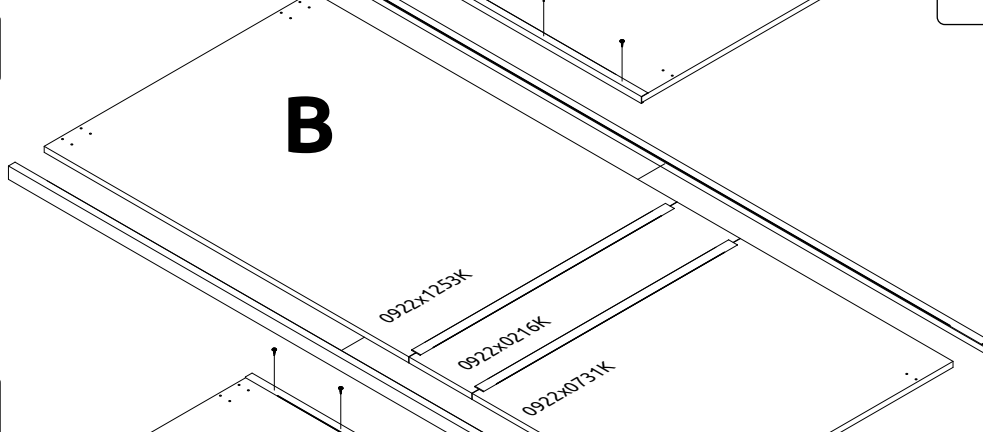
2



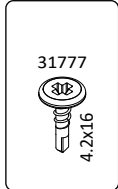
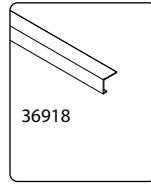
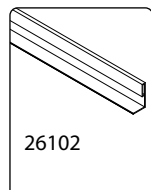
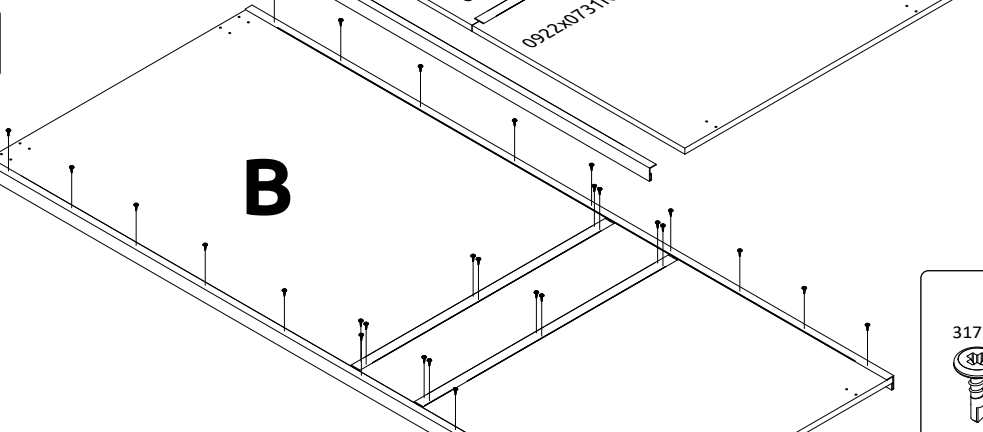
3



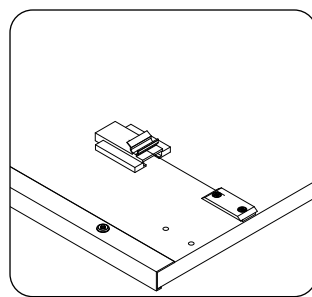
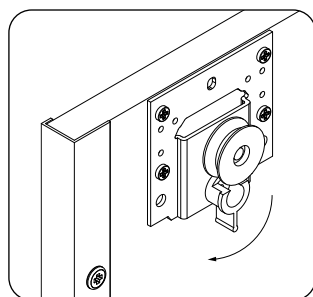
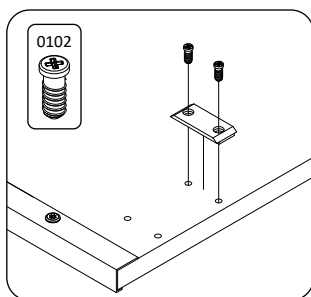
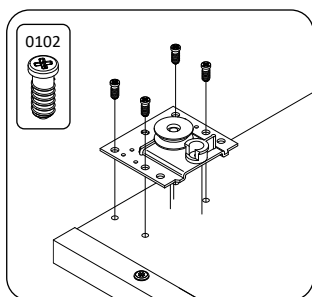
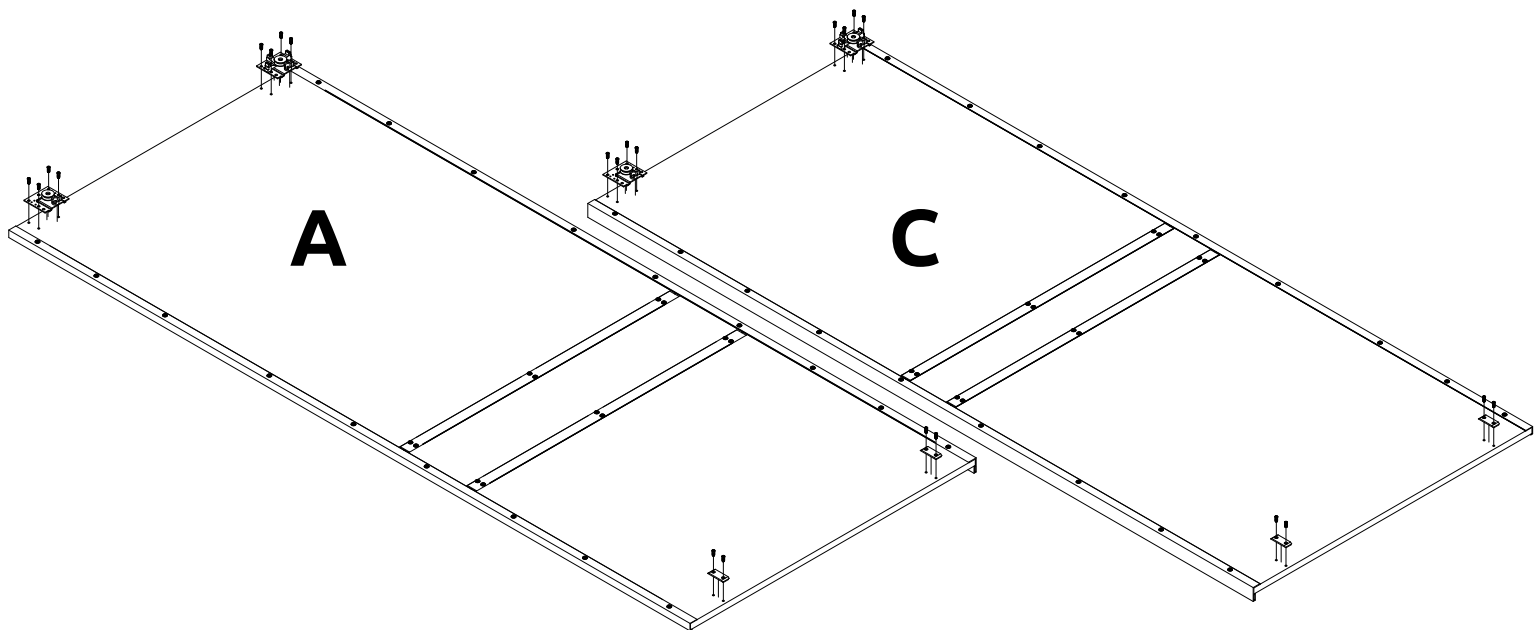
4



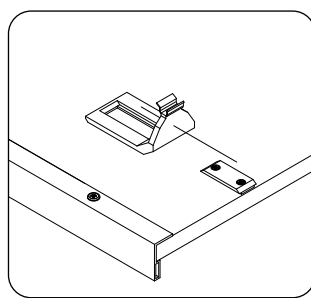
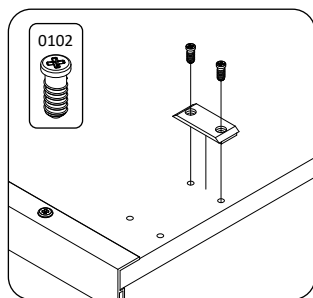
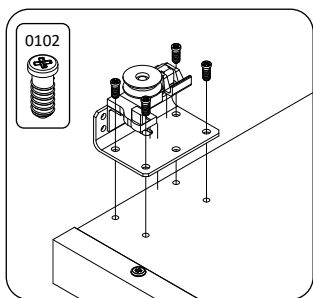
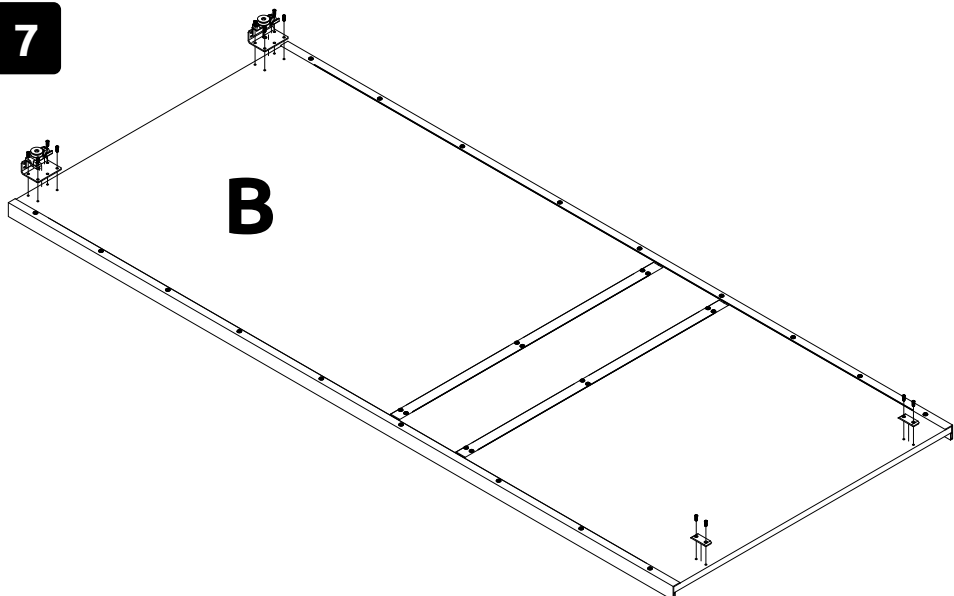
5



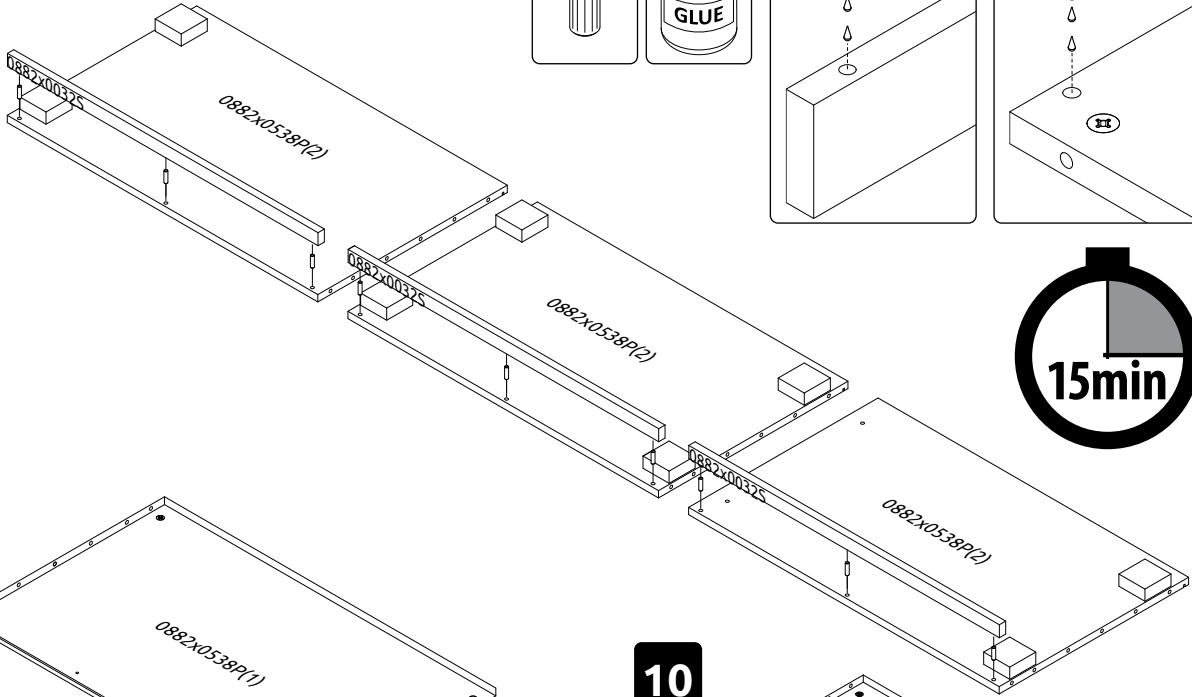
6



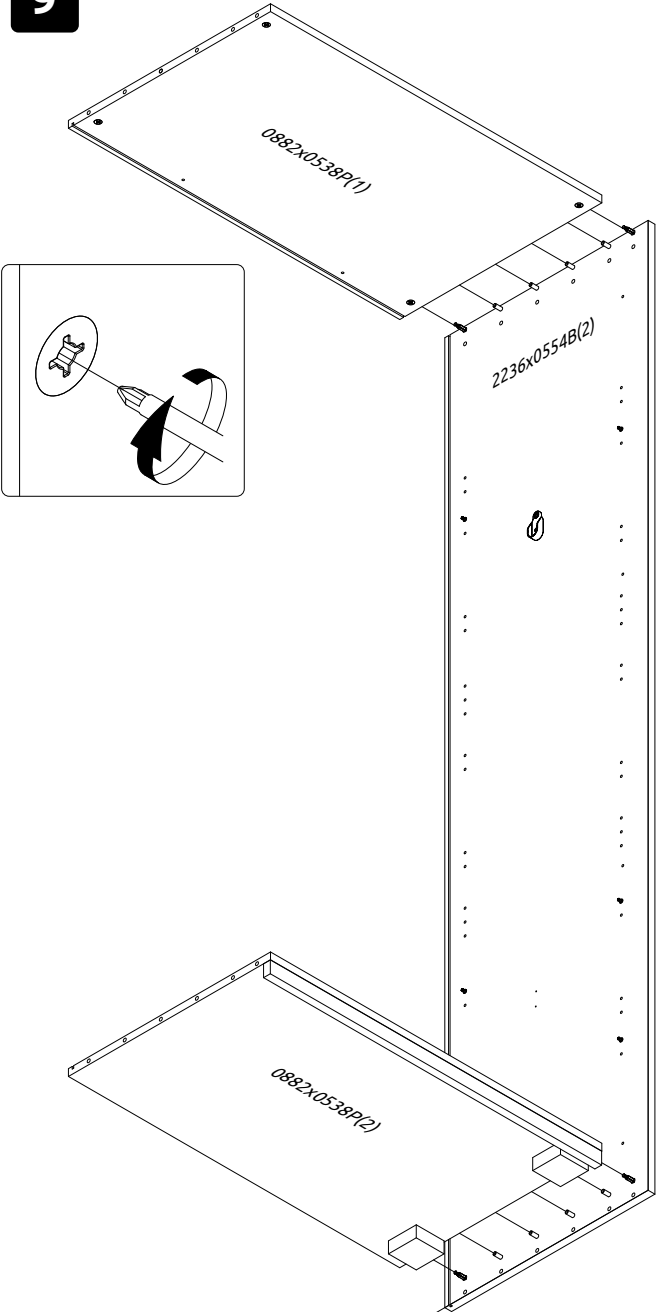
7



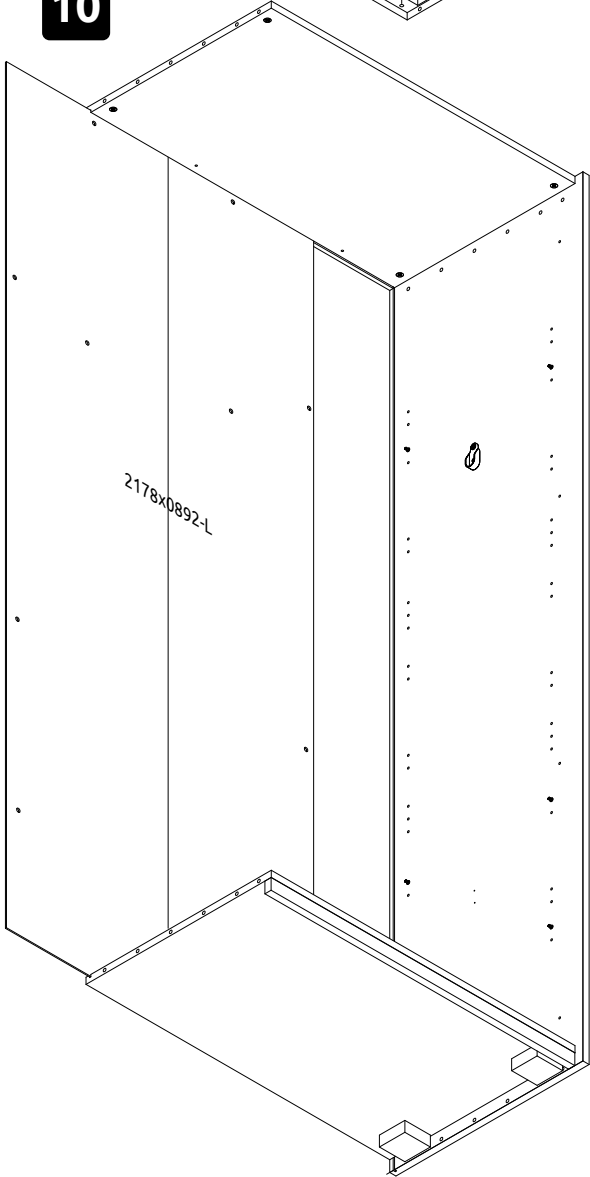
8



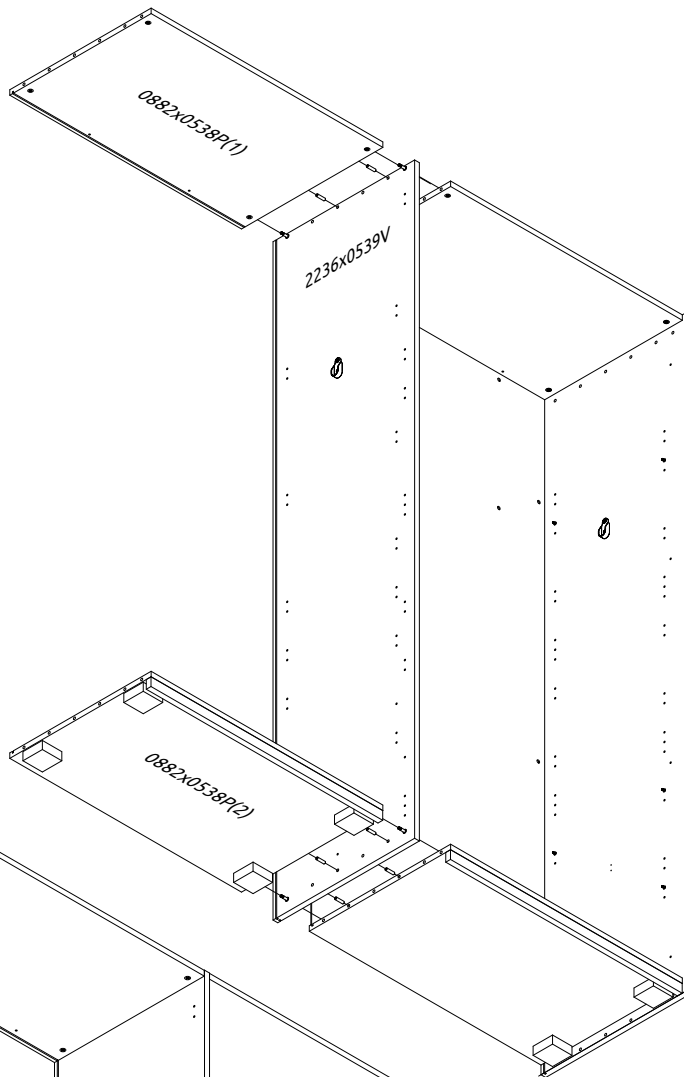
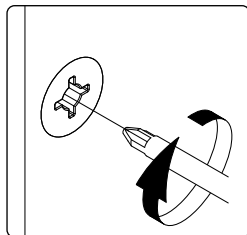
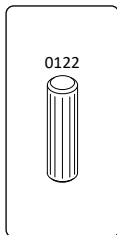
9



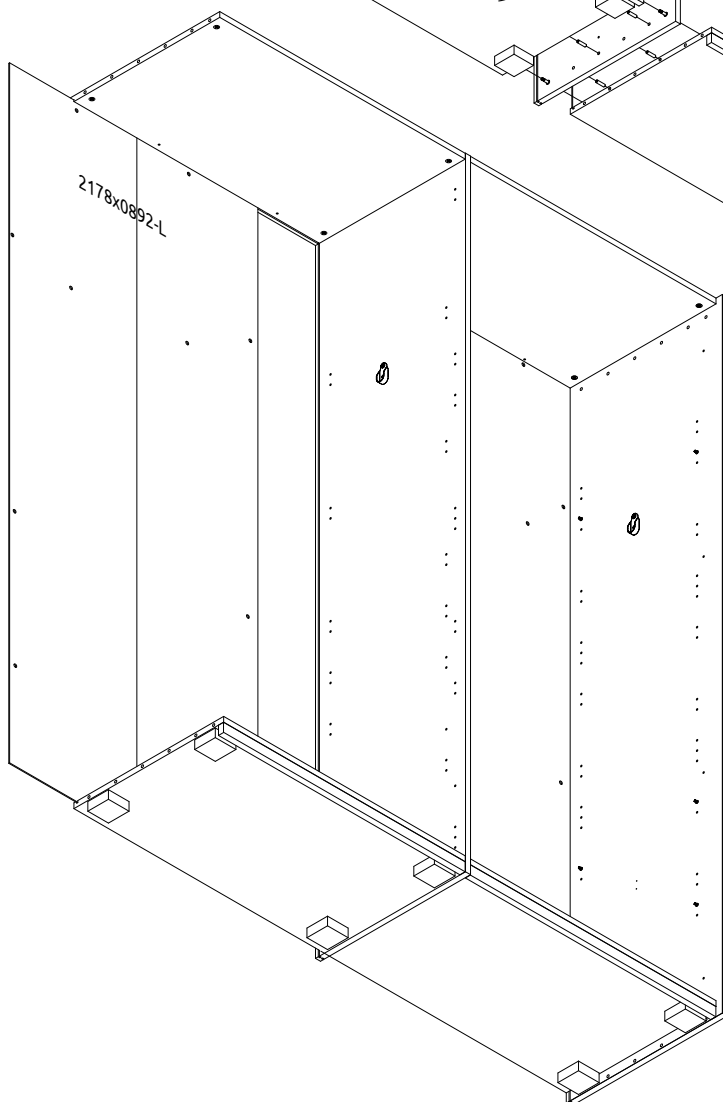
10



11

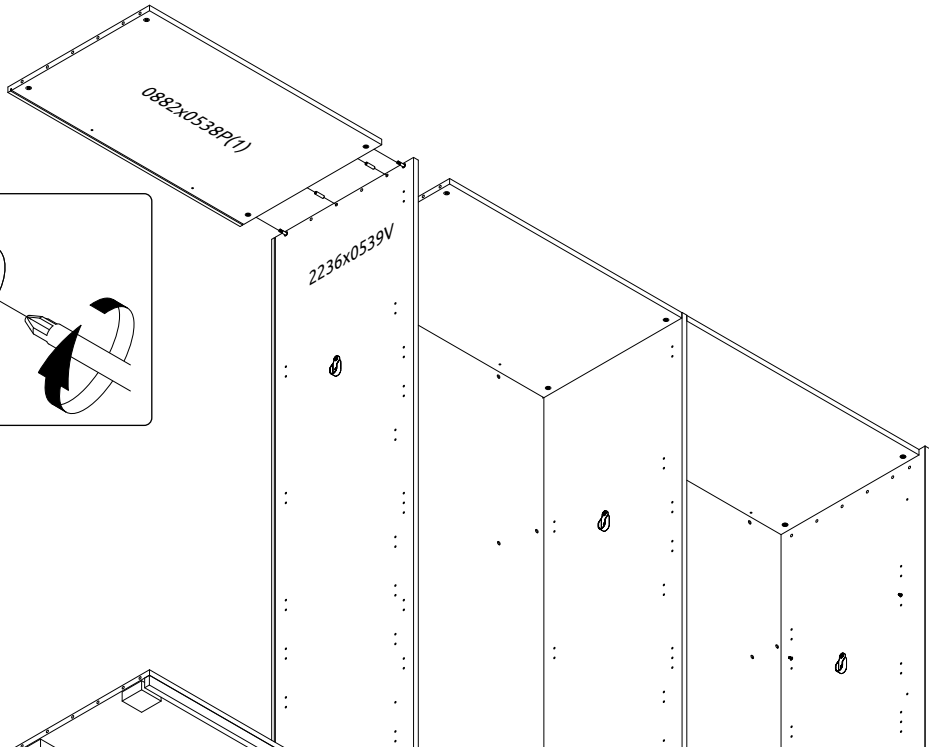
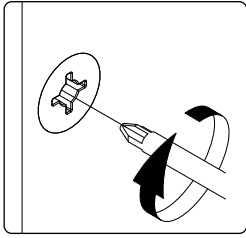
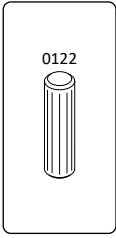


12

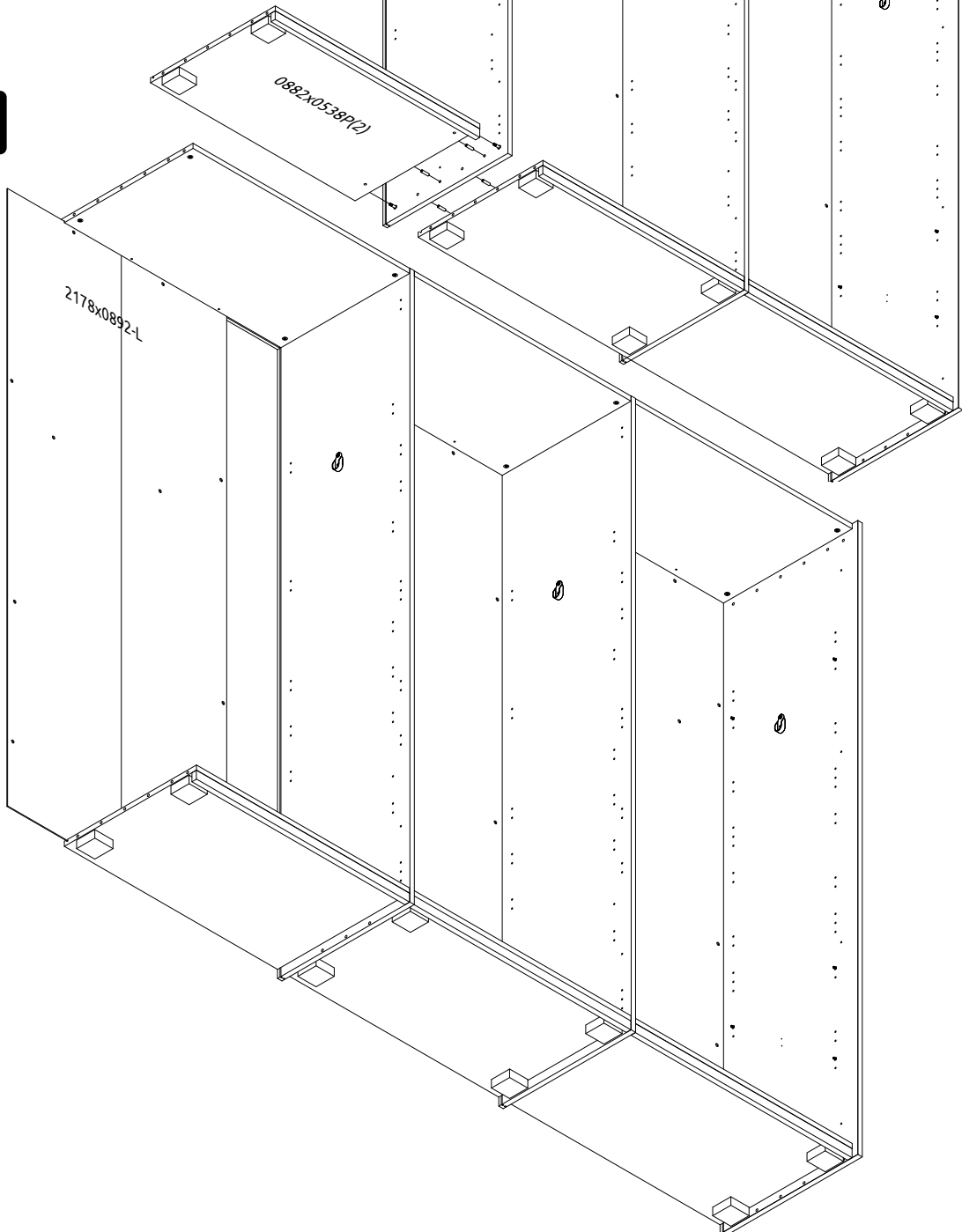




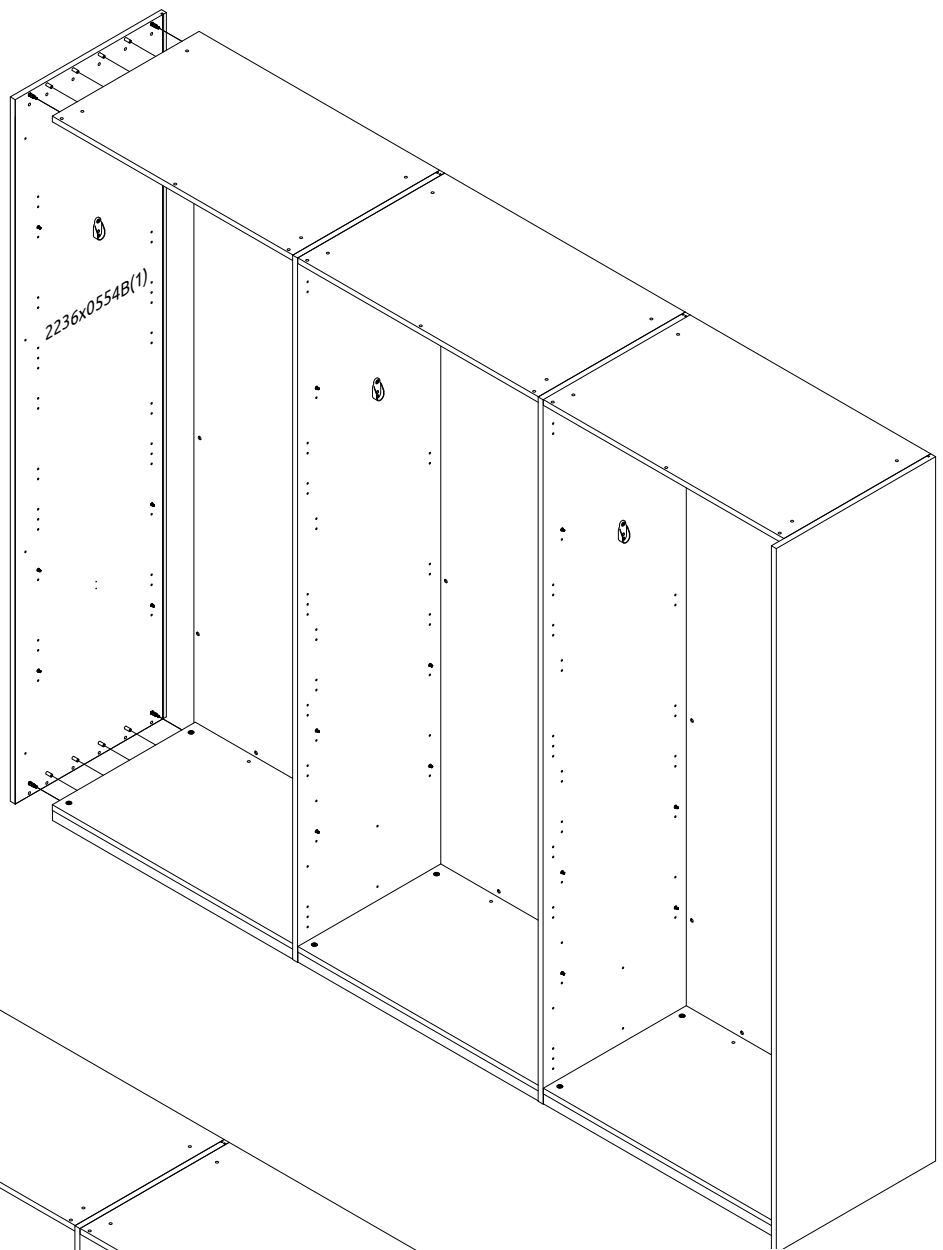
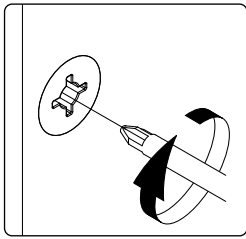
**13**



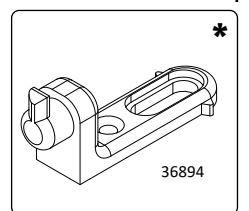
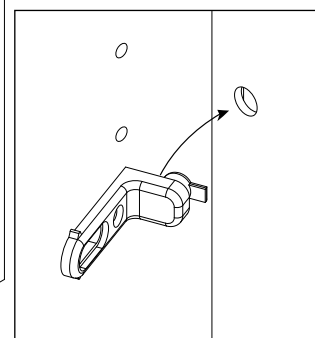
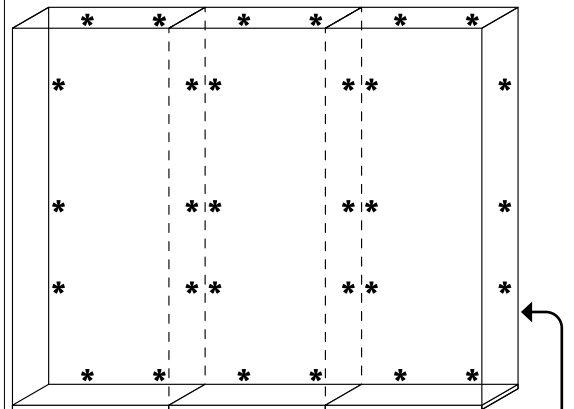
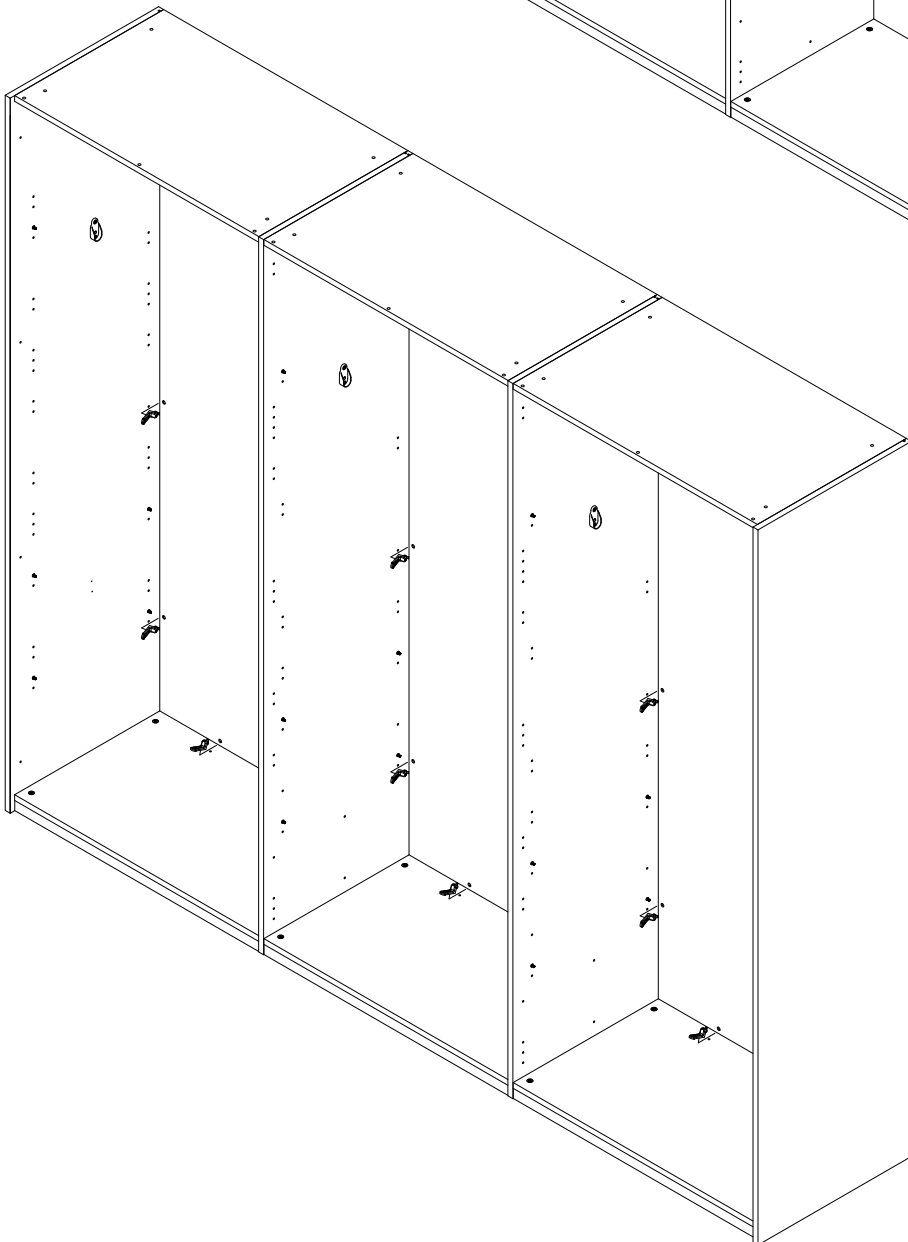
**14**



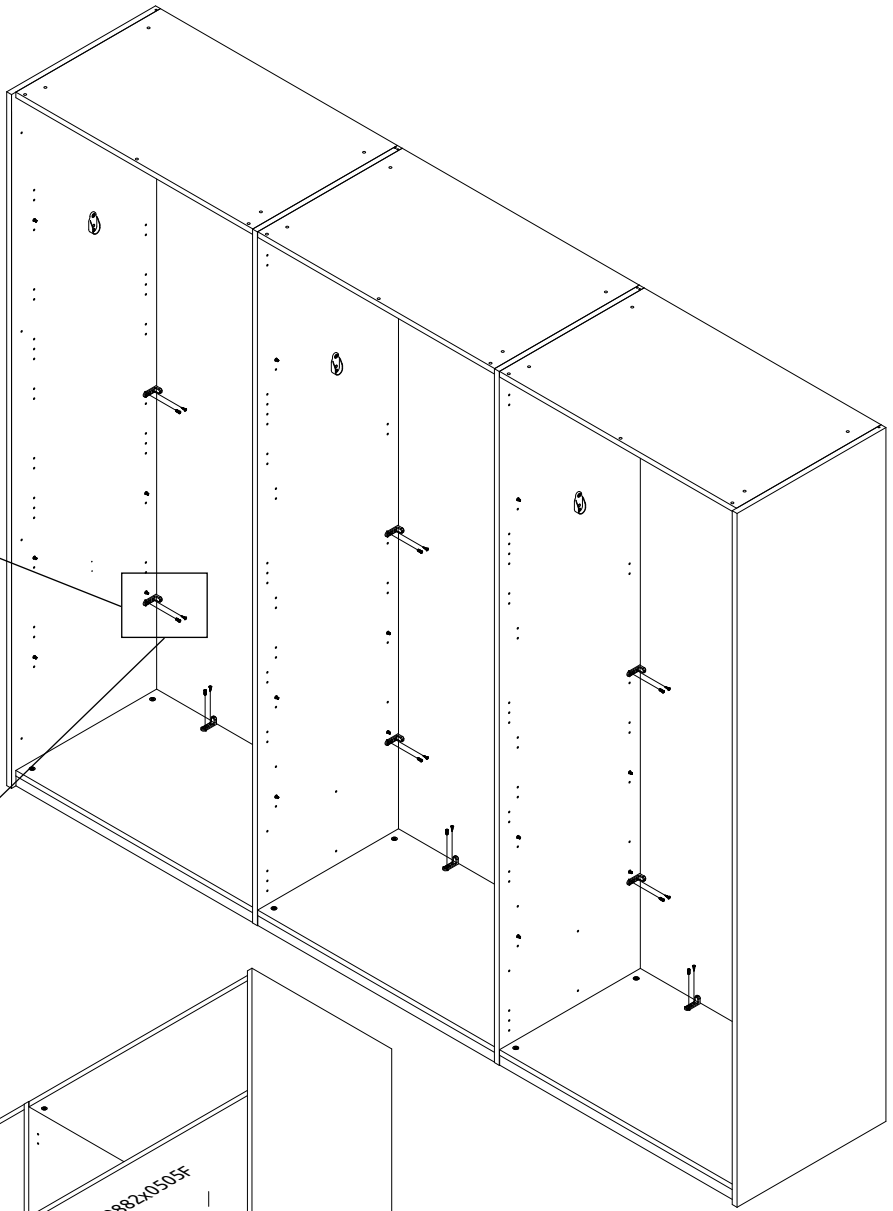
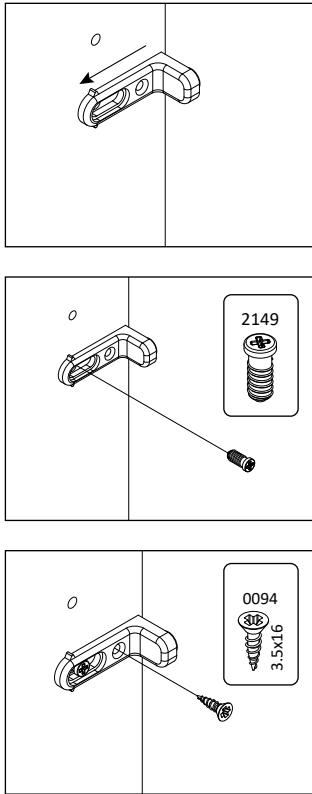
15



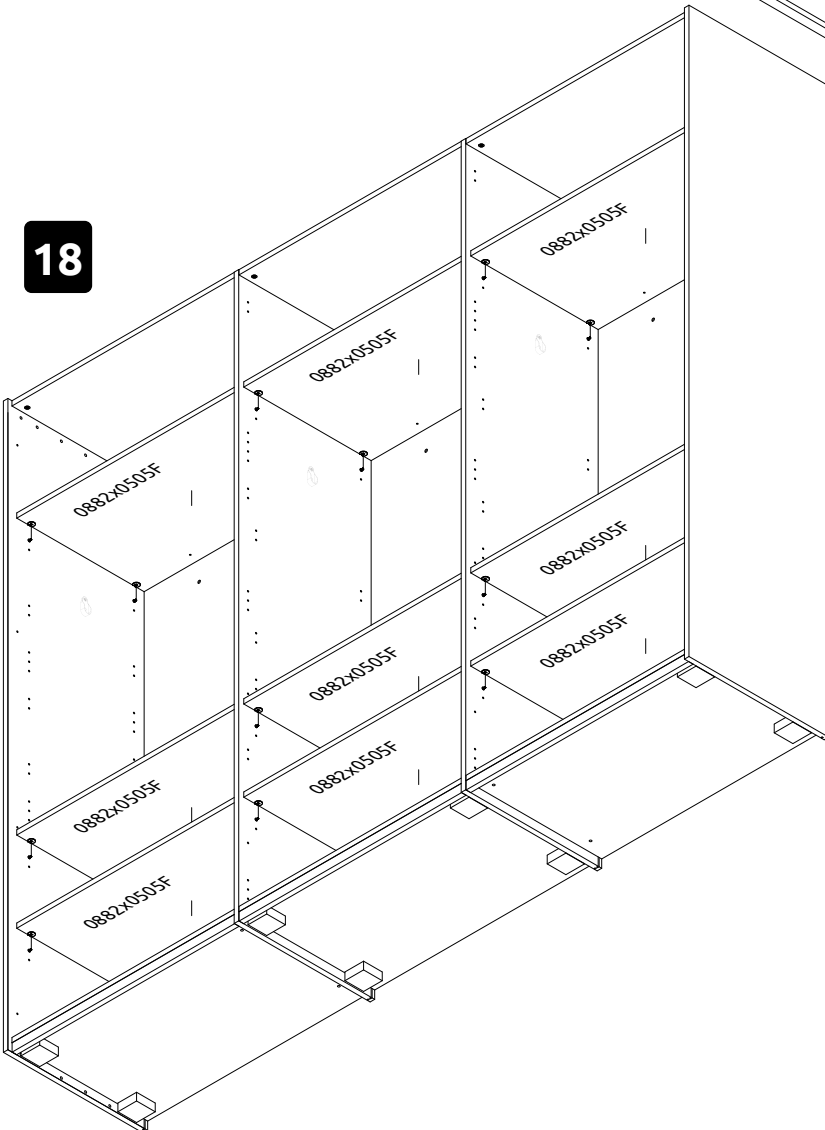
16



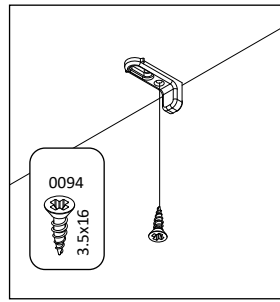
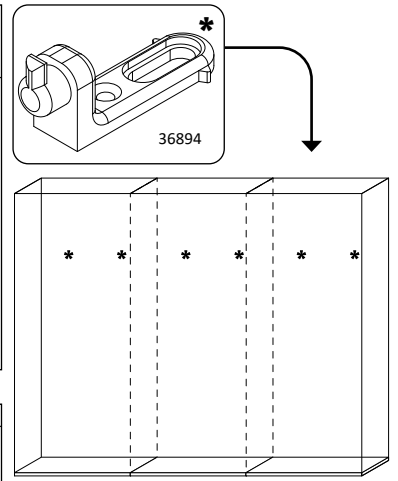
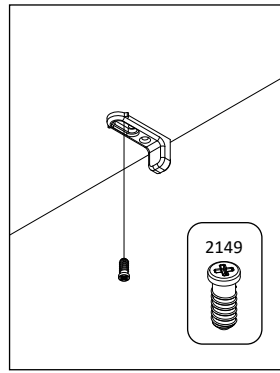
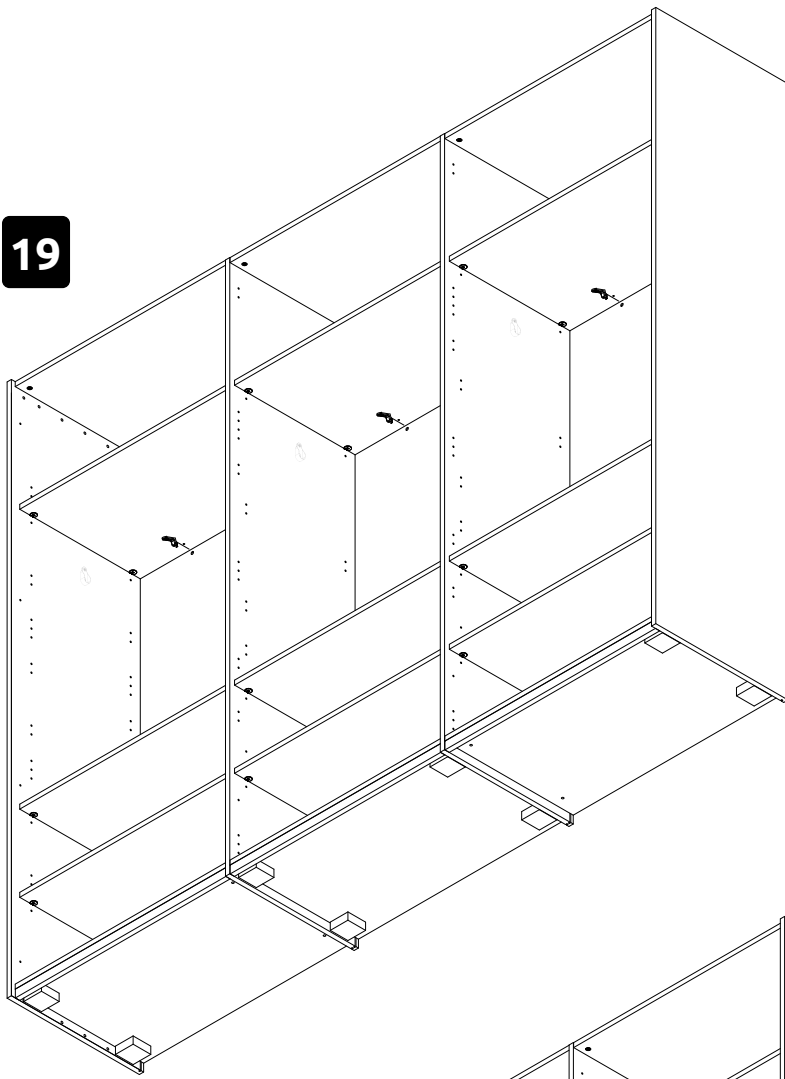
17



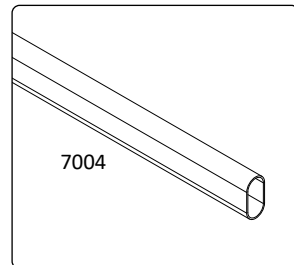
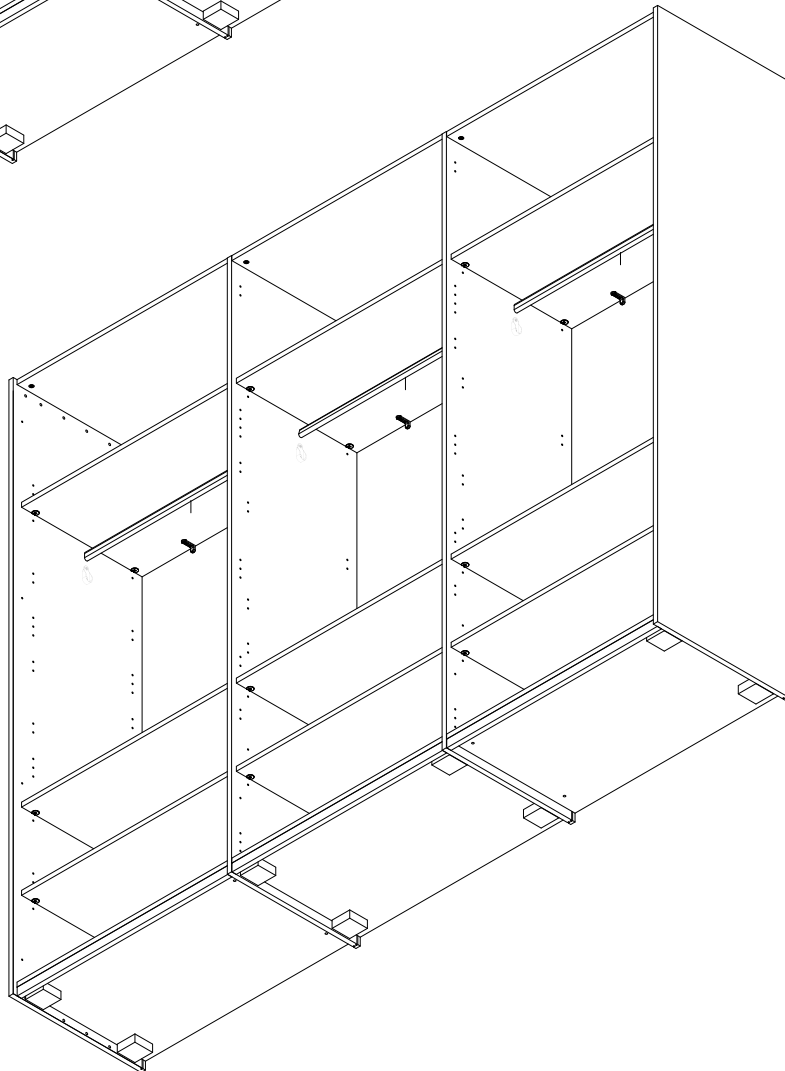
18



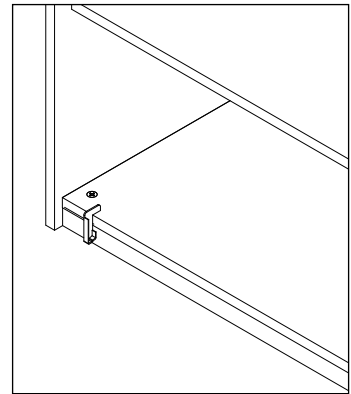
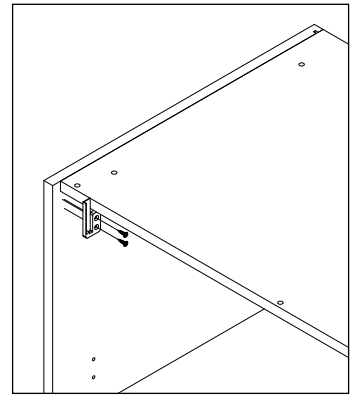
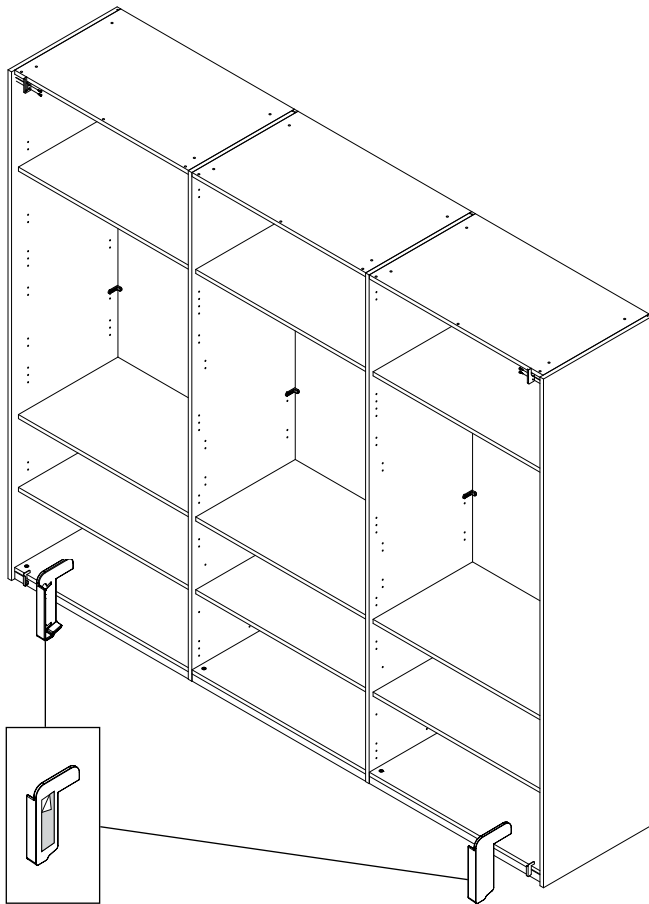
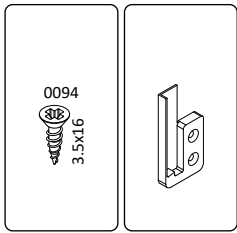
19



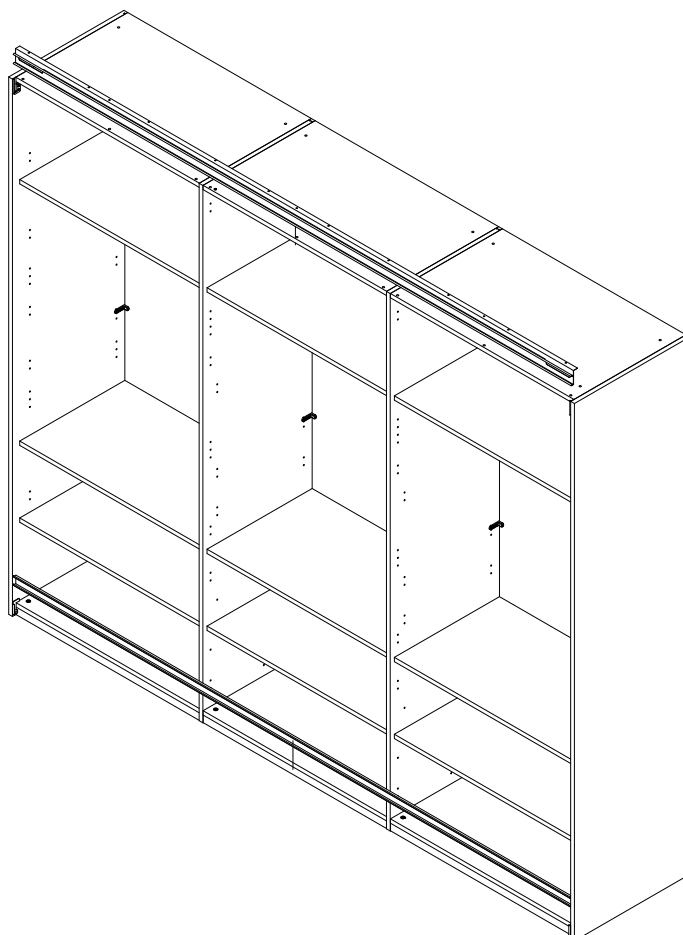
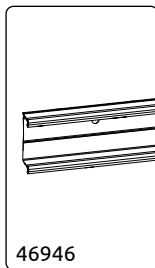
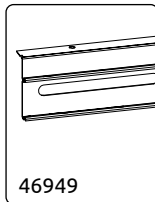
20



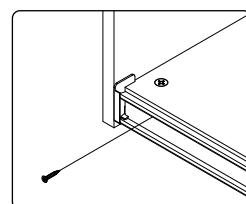
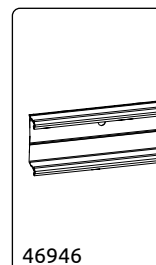
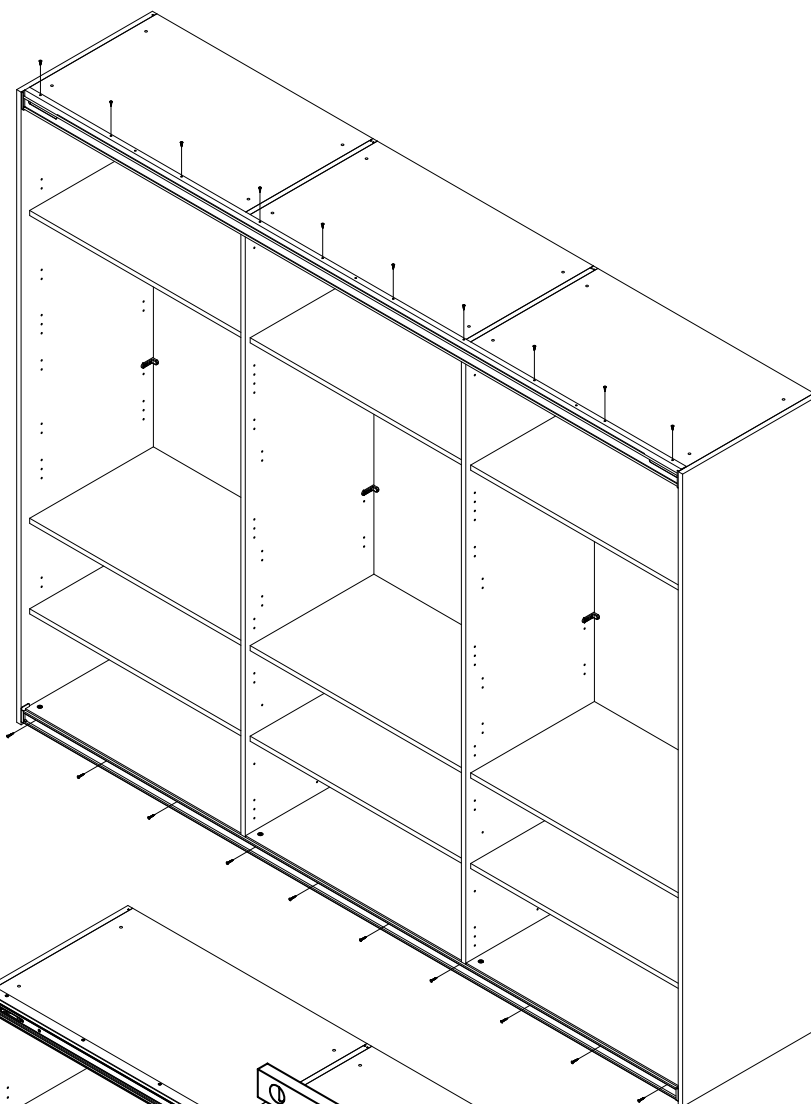
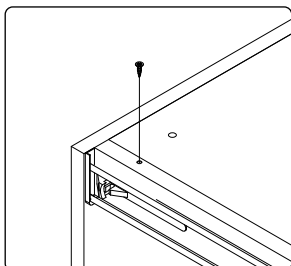
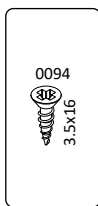
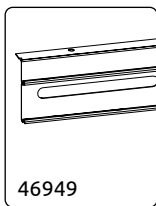
21



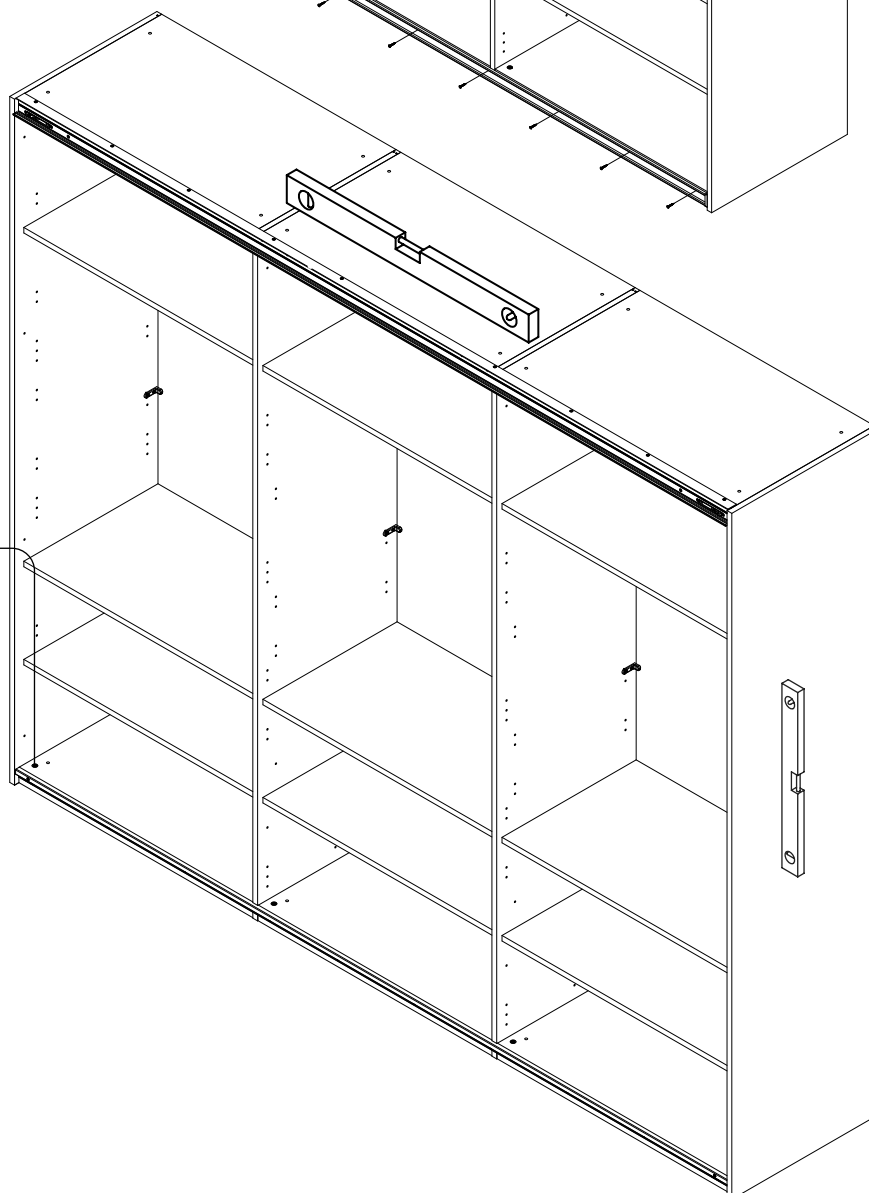
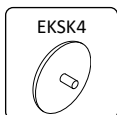
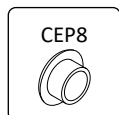
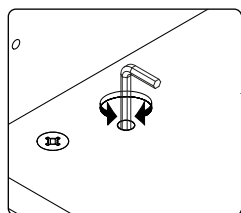
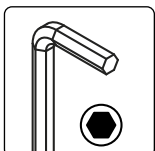
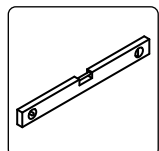
22



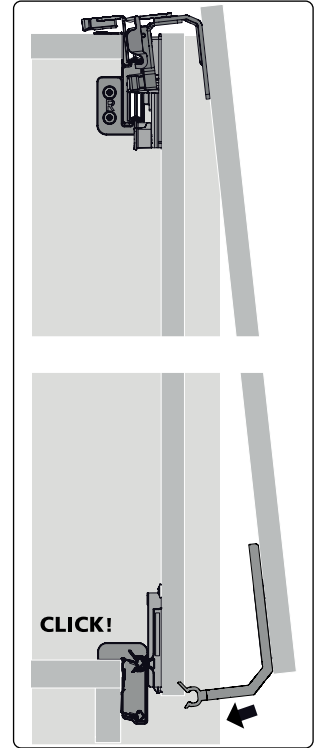
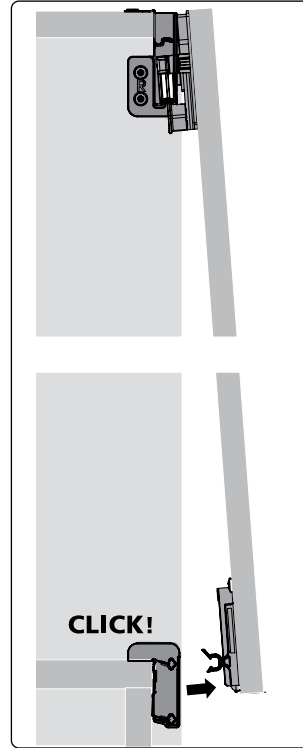
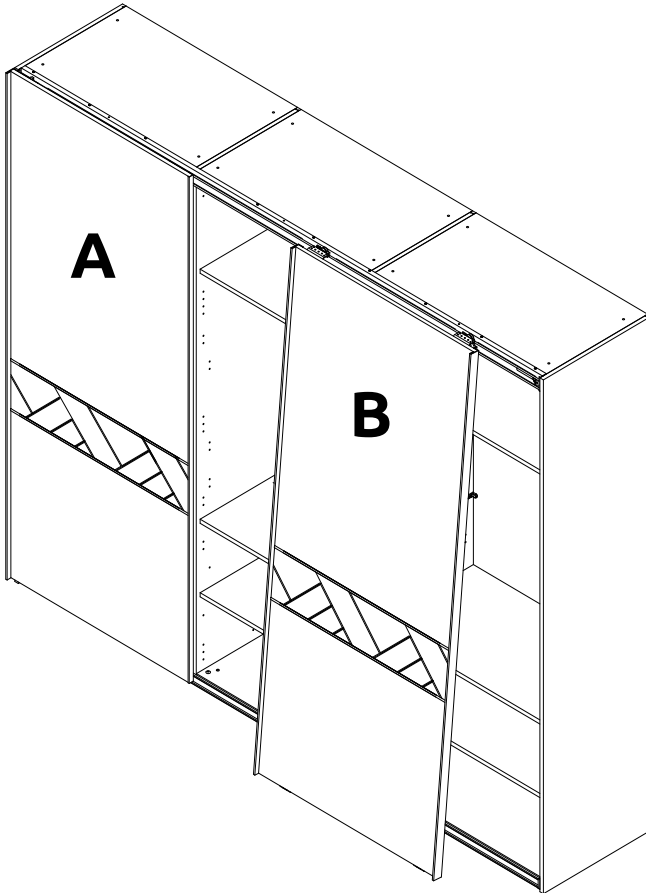
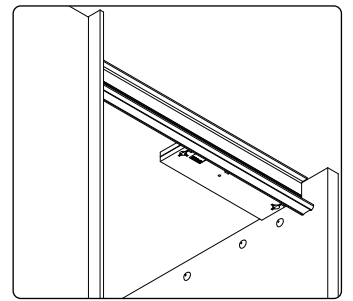
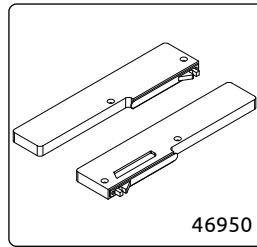
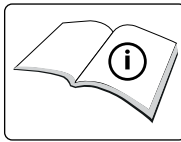
23



24



25



26

