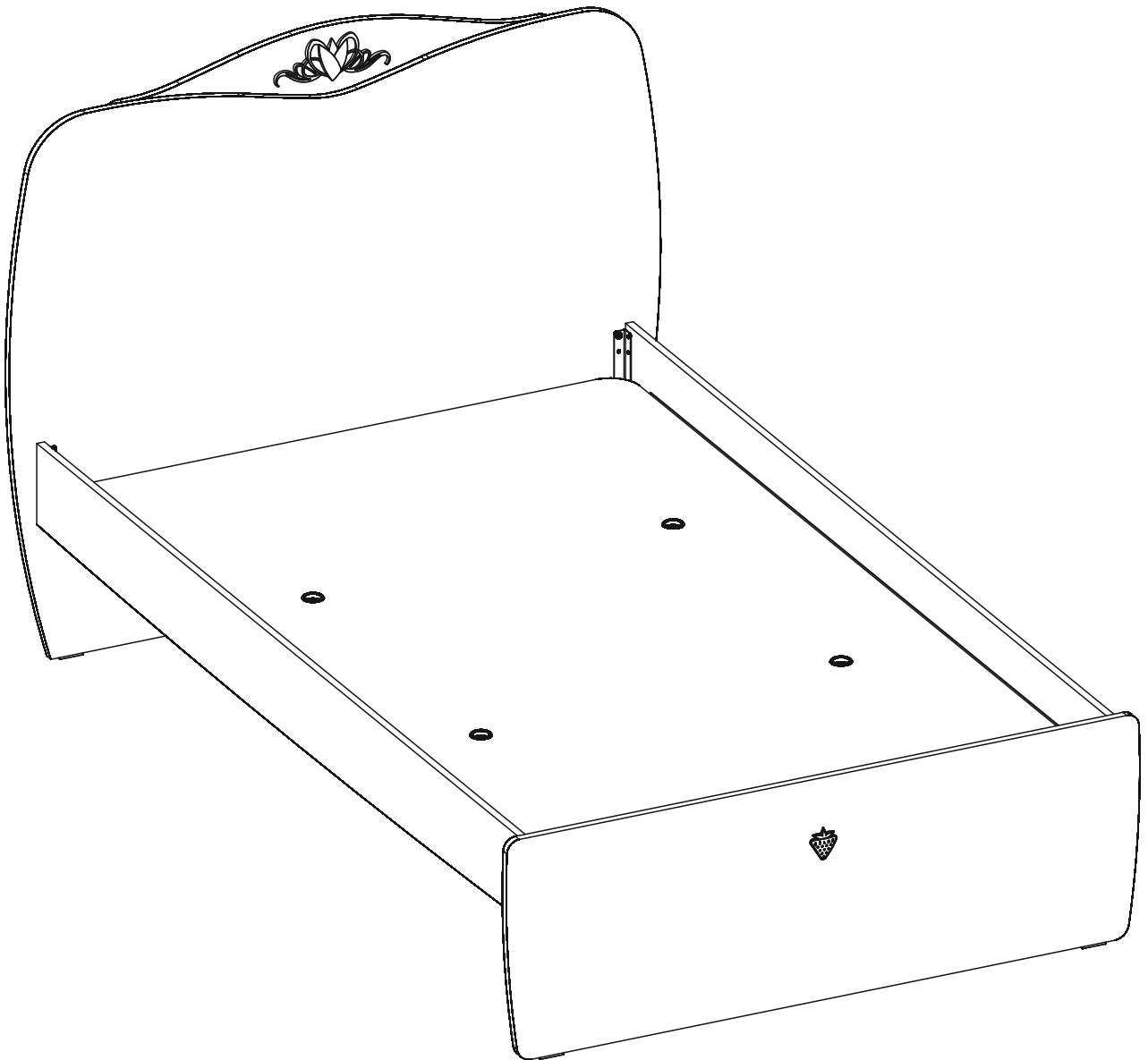
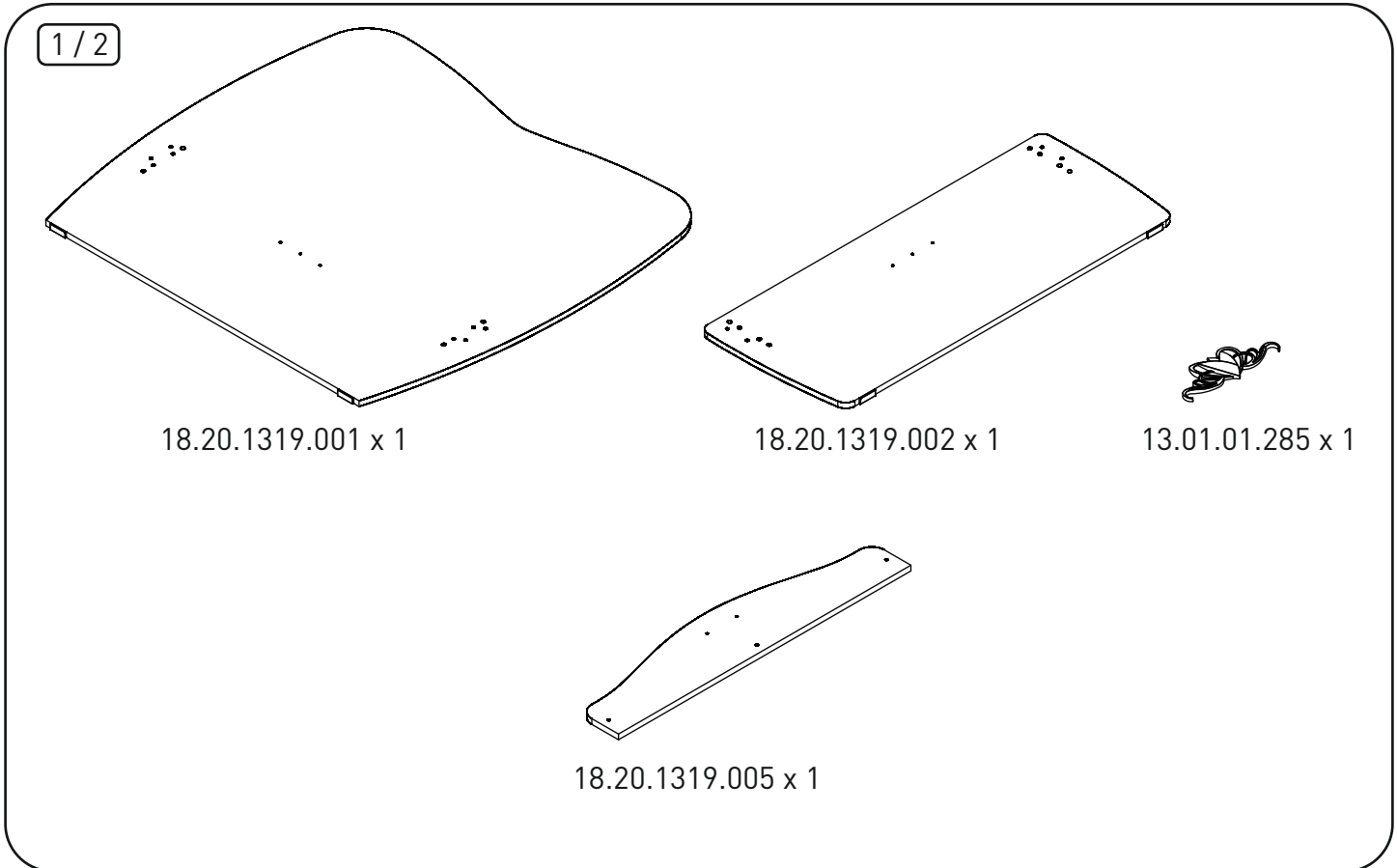
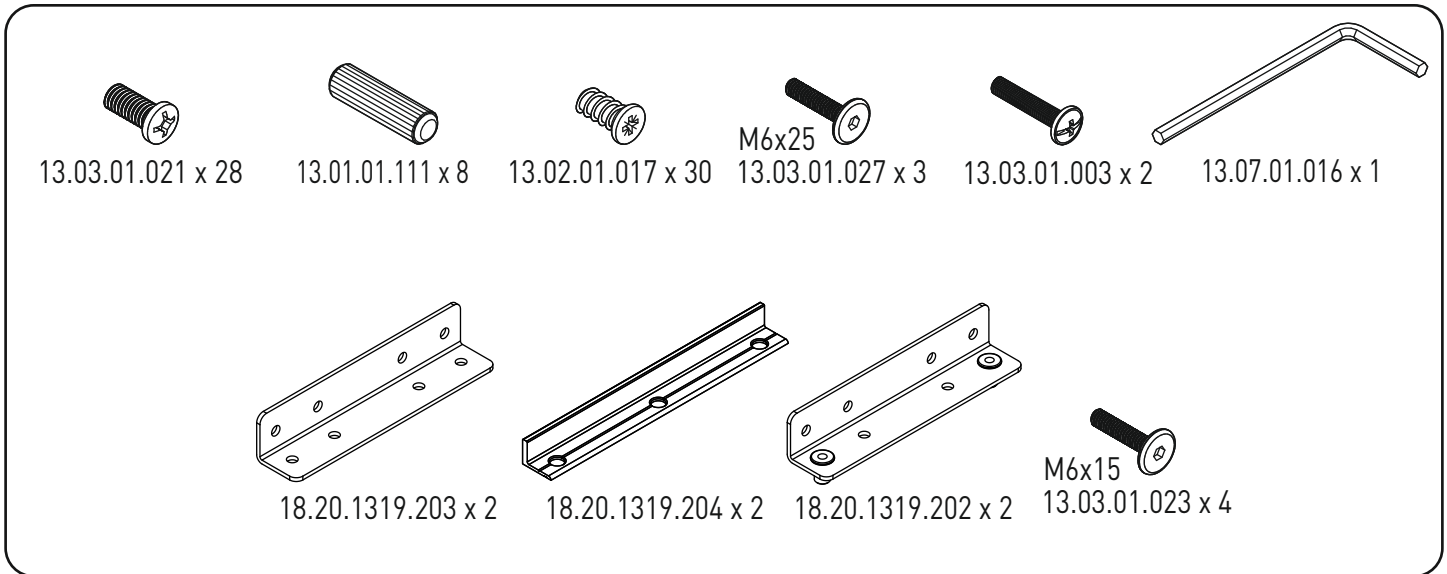
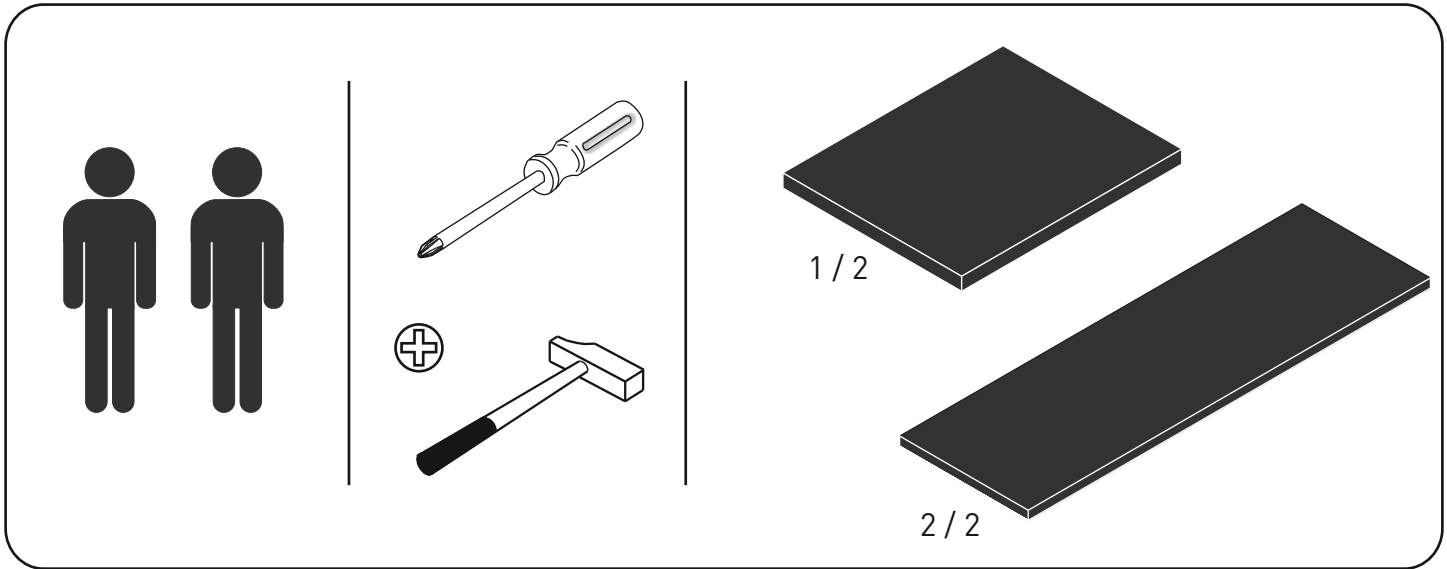
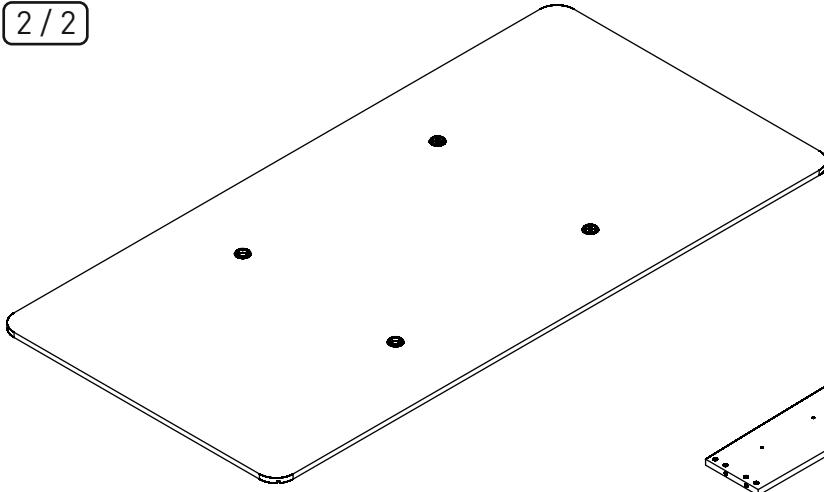


**20.20.1319.00**

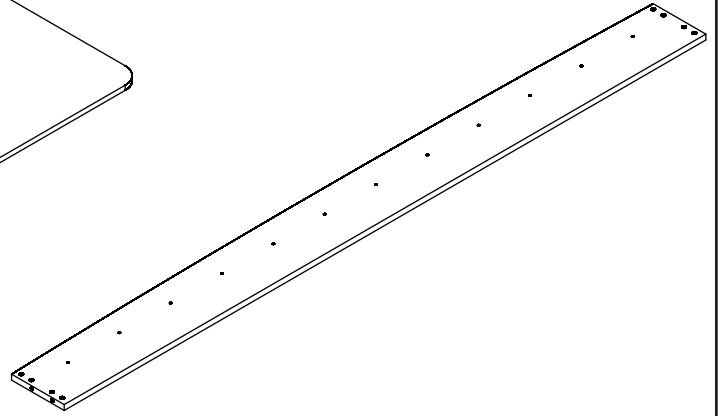




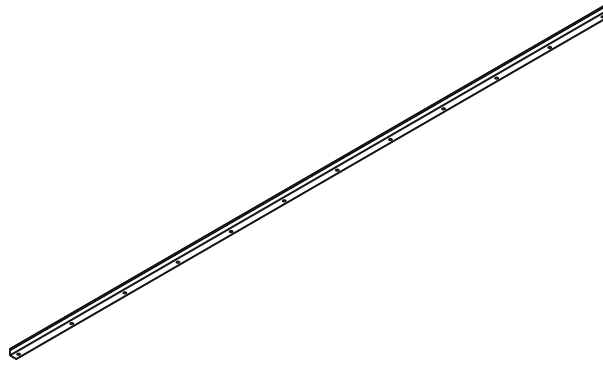
2/2



18.20.1319.004 x 1

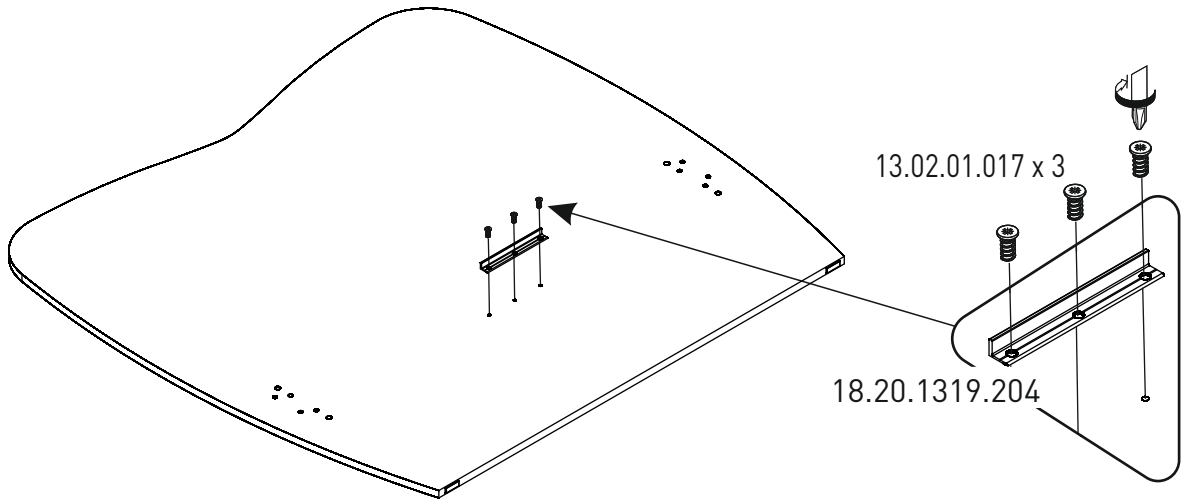


18.20.1319.003 x 2



18.20.1319.201 x 2

1

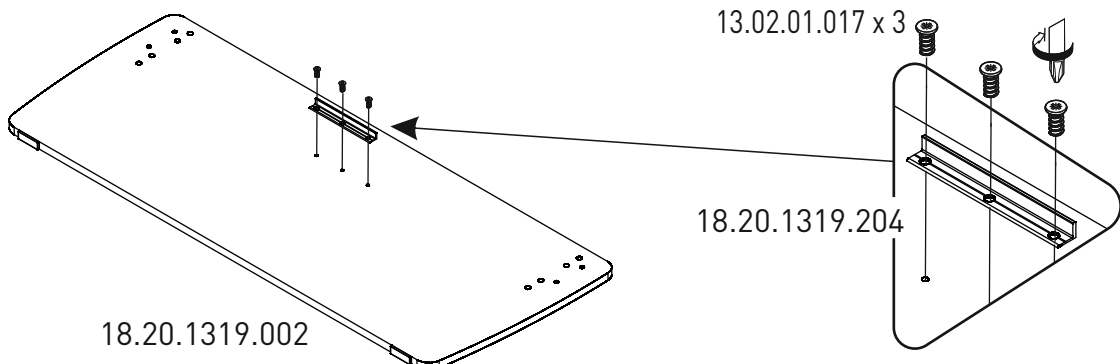


18.20.1319.001

13.02.01.017 x 3

18.20.1319.204

2

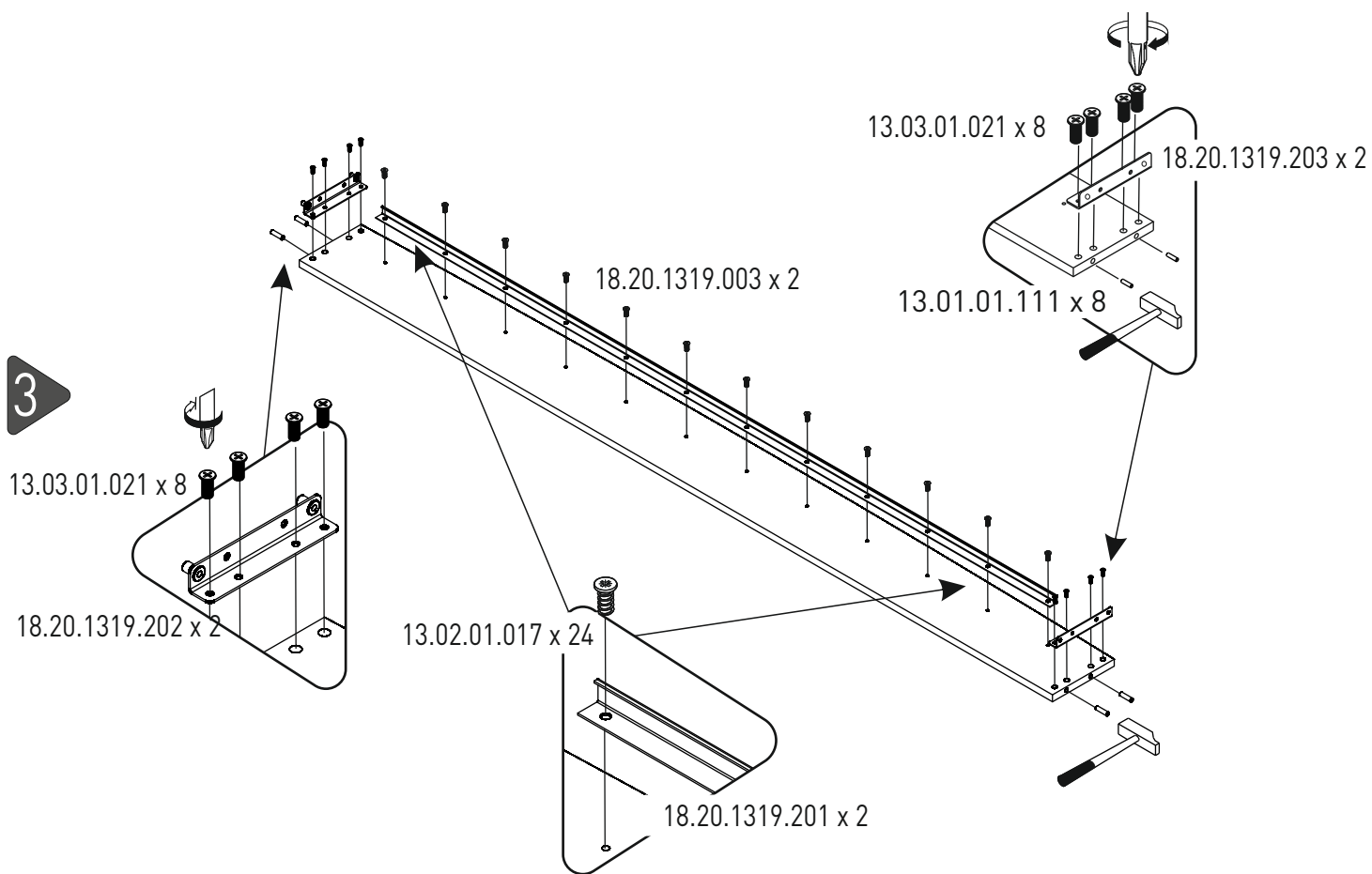


18.20.1319.002

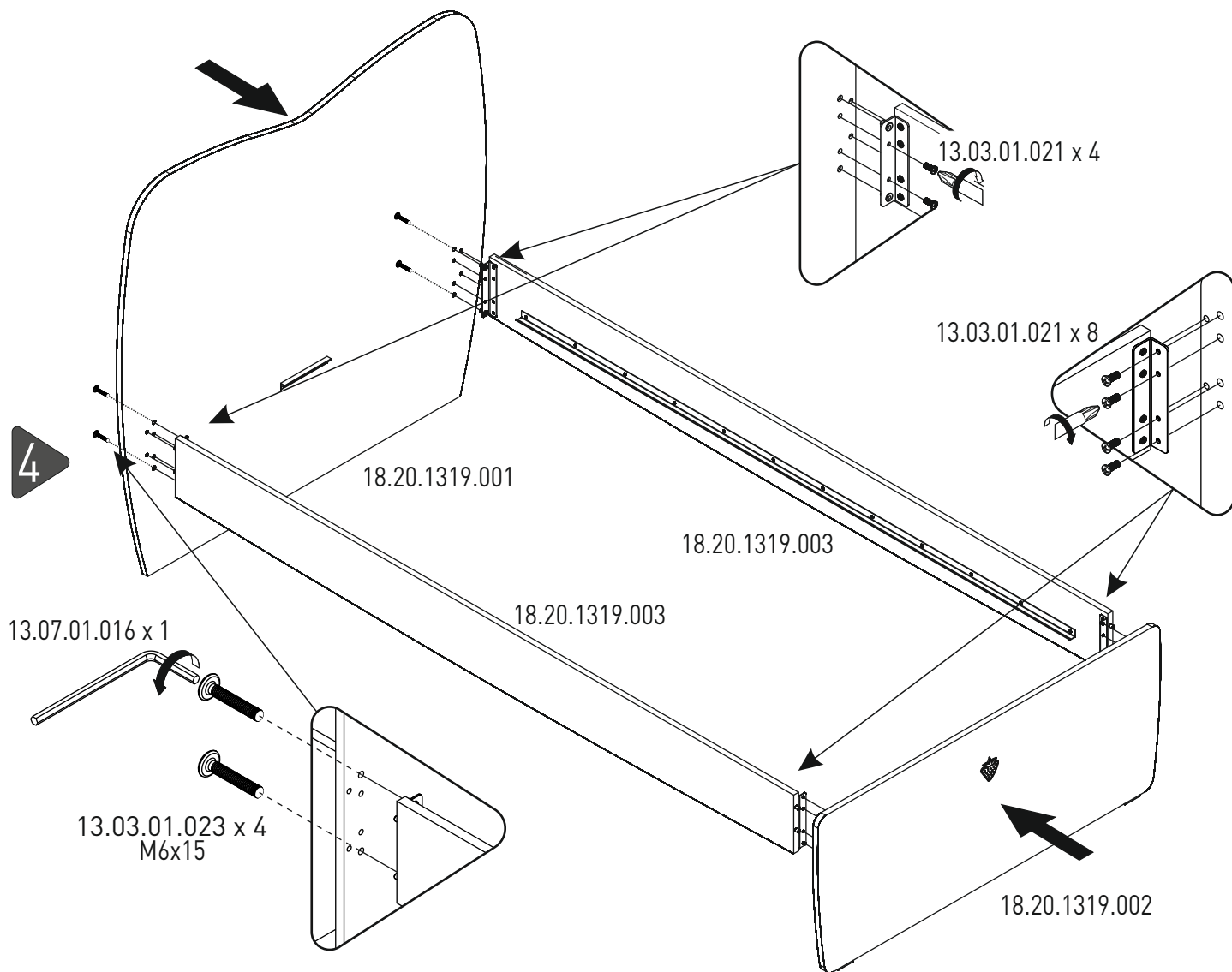
13.02.01.017 x 3

18.20.1319.204

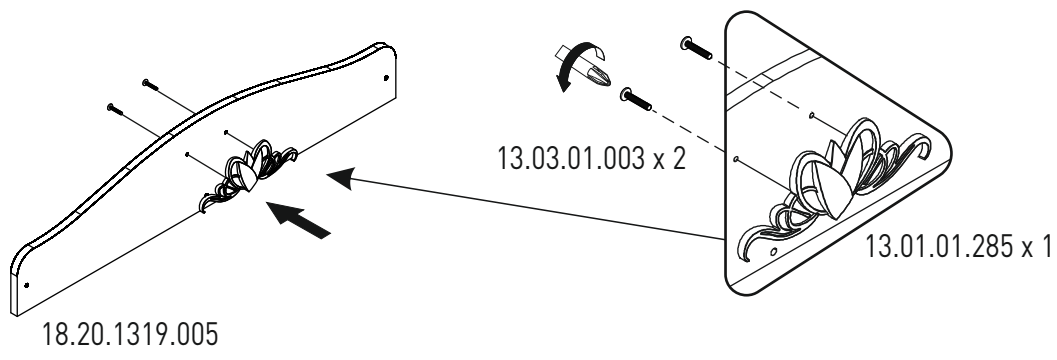
3



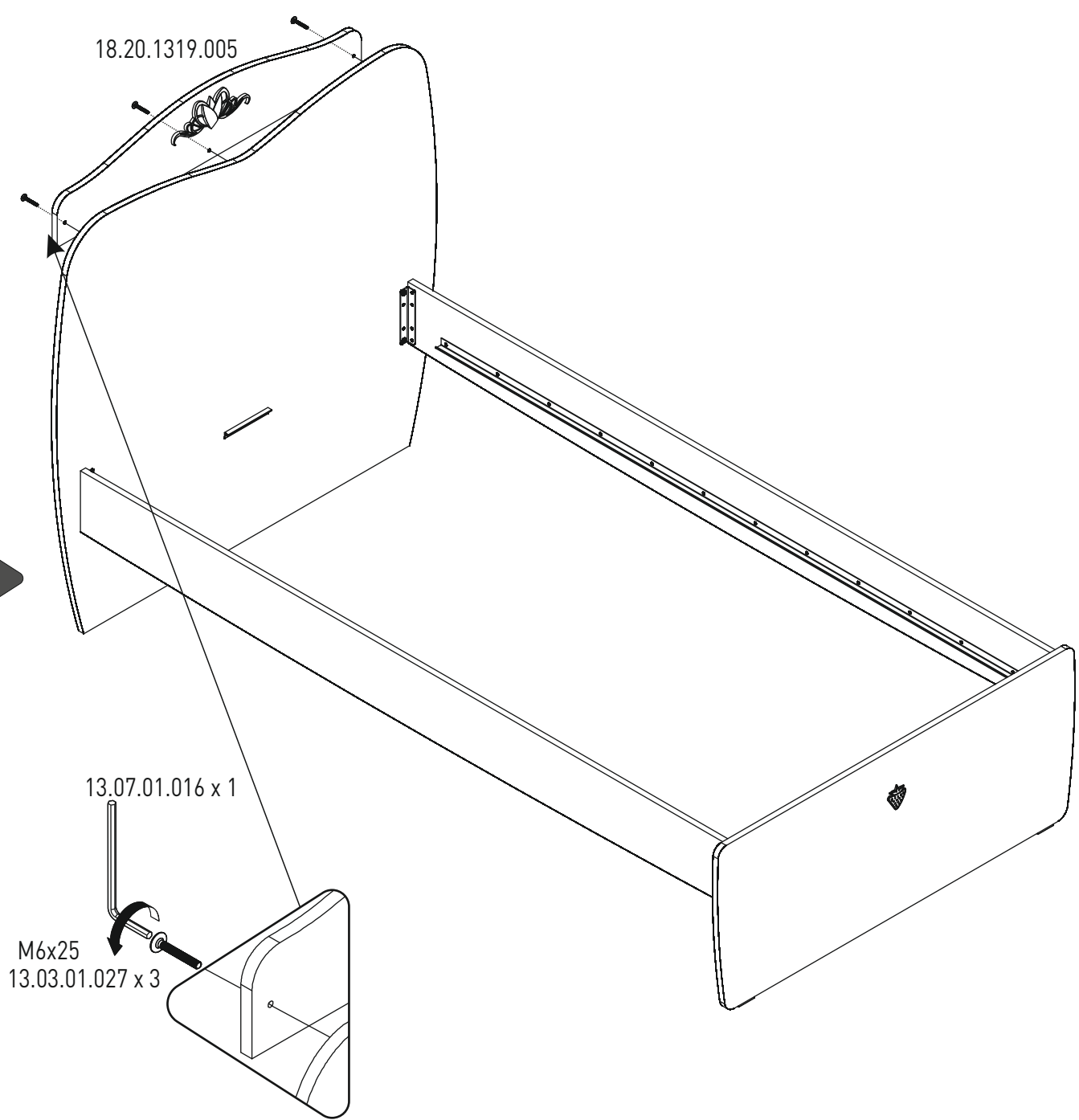
4



5



6



7

