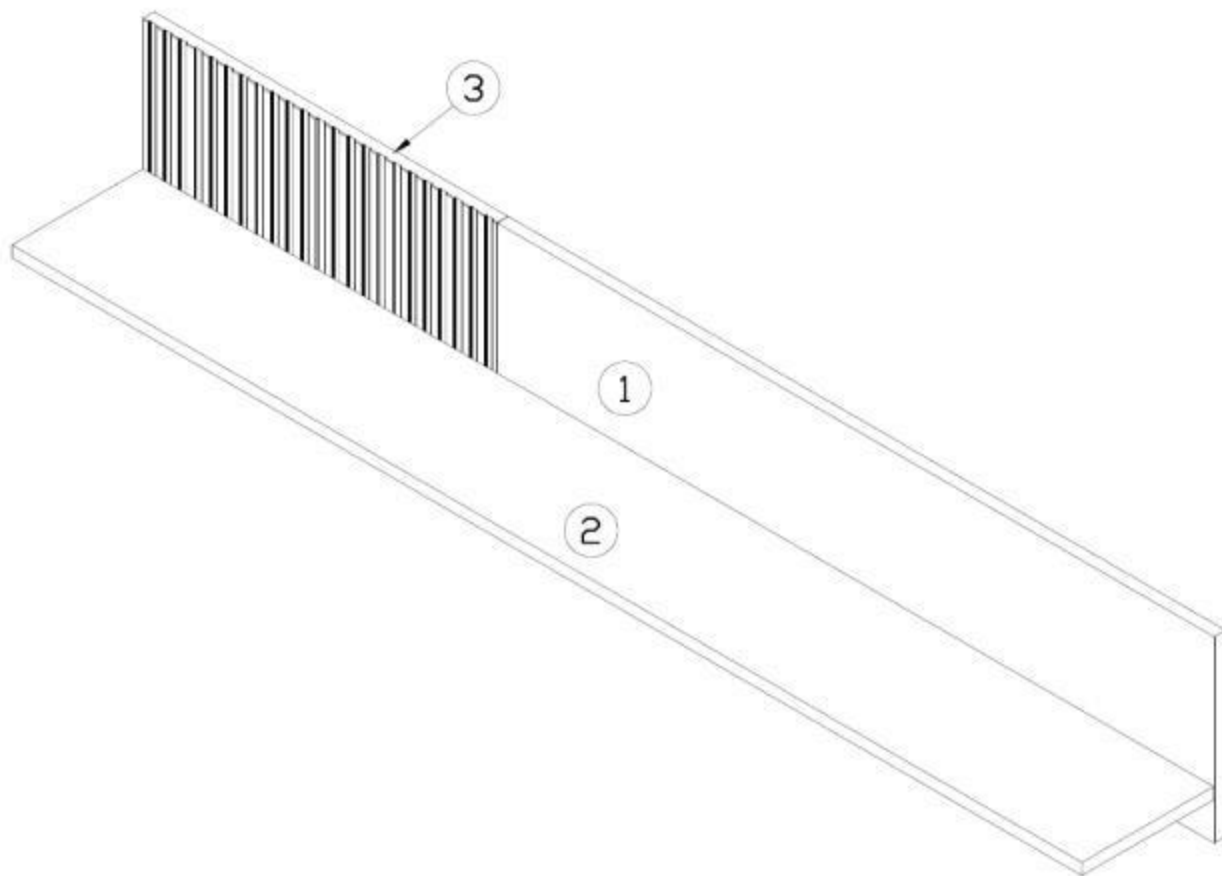
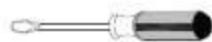


Model: **RANDOM** **150** **1/4**



**BAG 1**



x3



x2



x1



x4



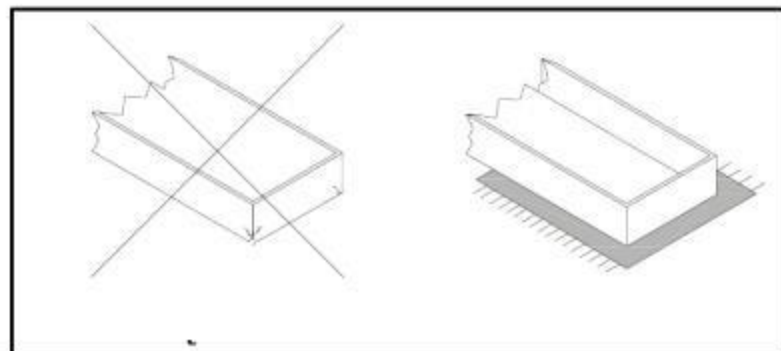
x2



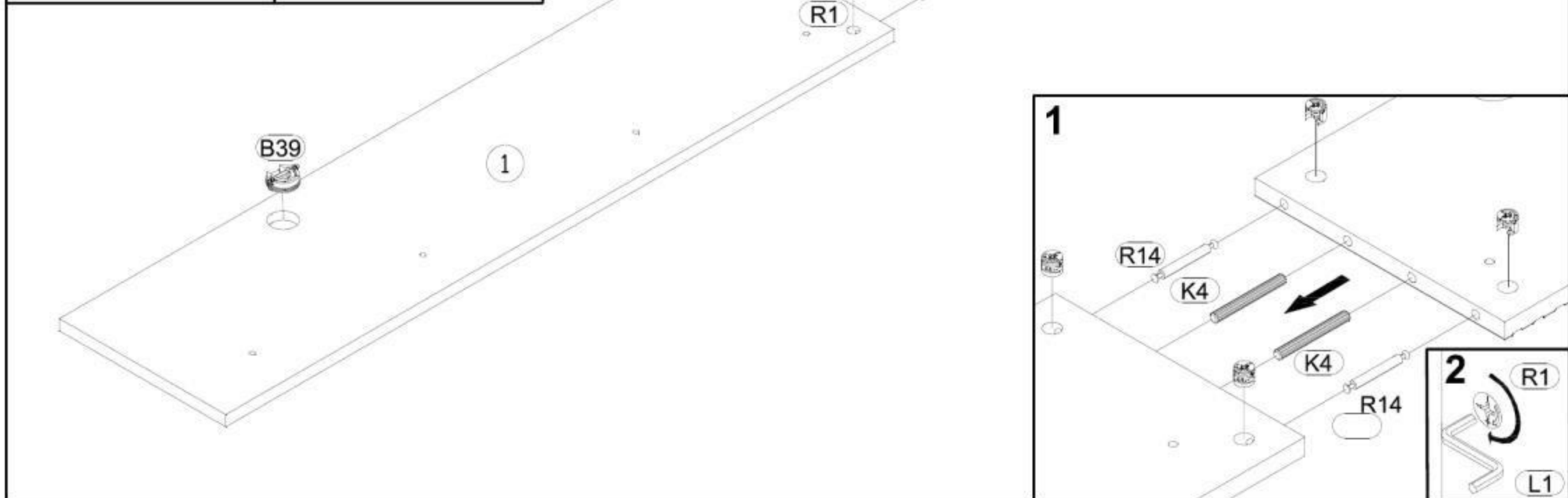
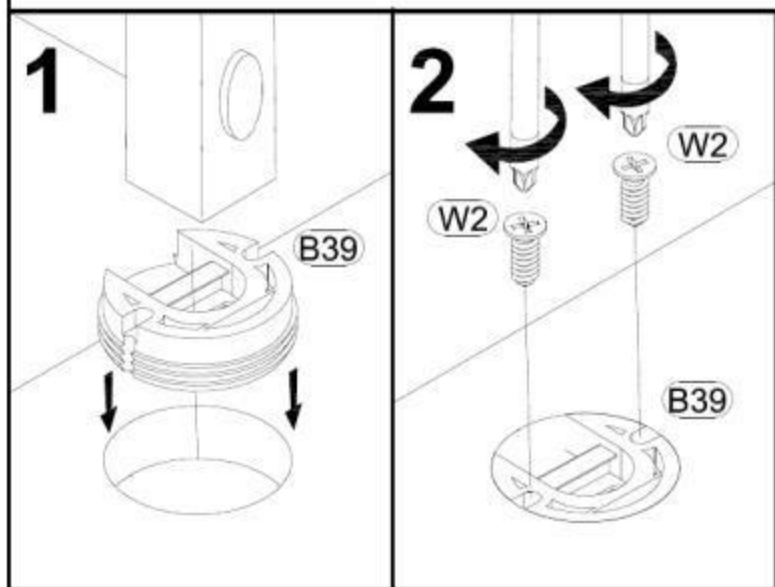
x7

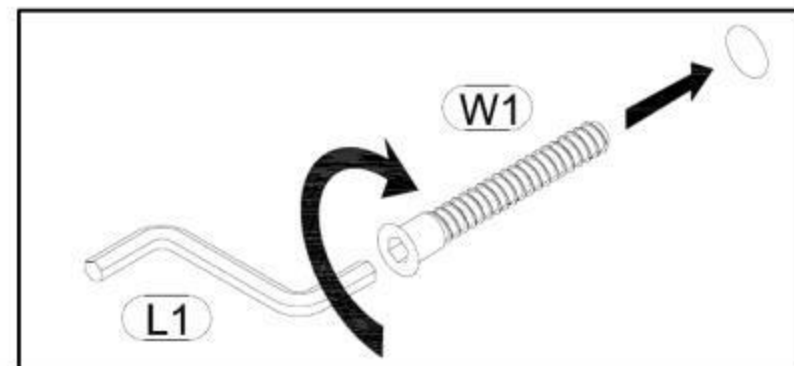
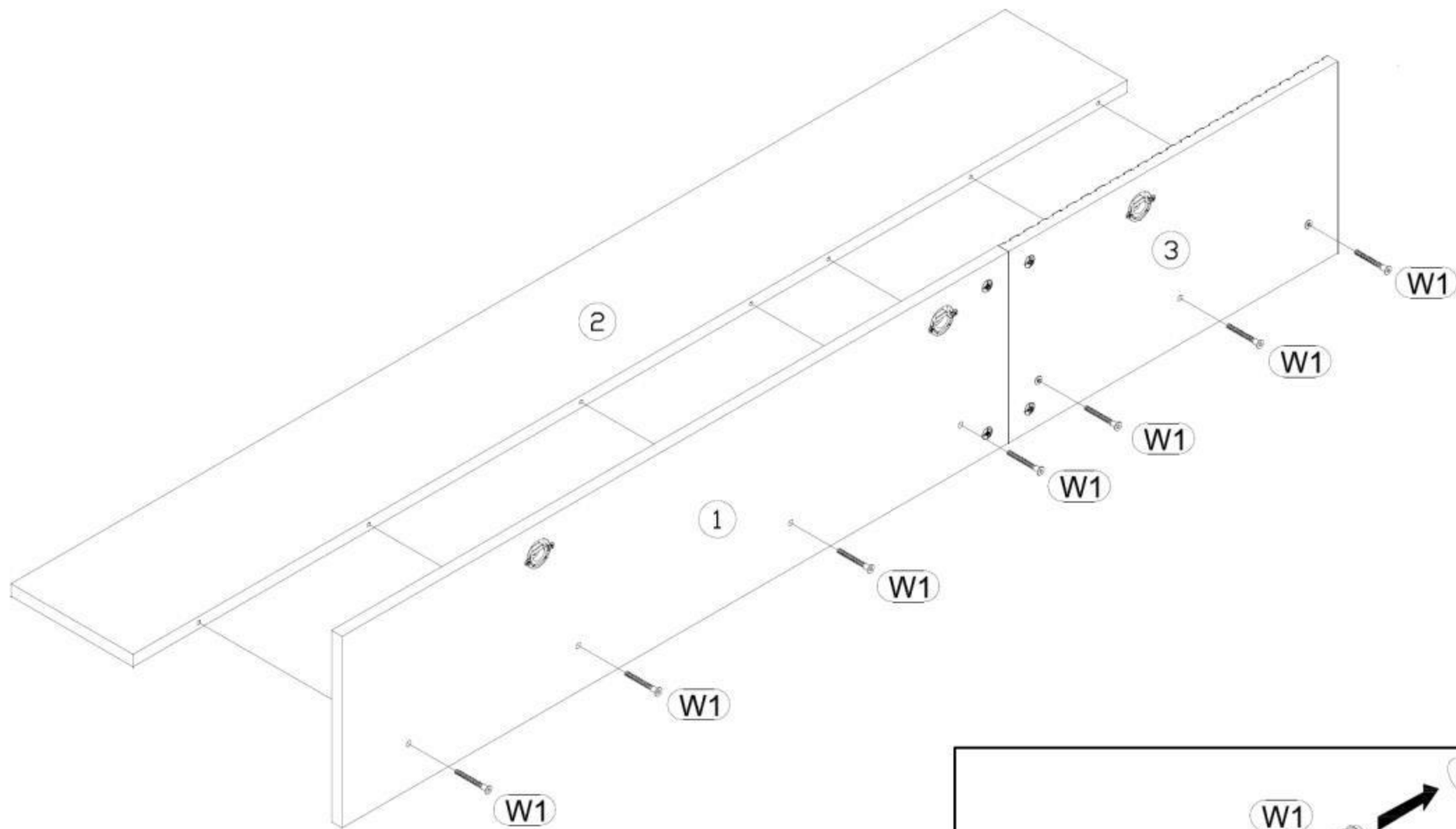


x6



# 2





Model:

**RANDOM**

**150**

**4/4**

