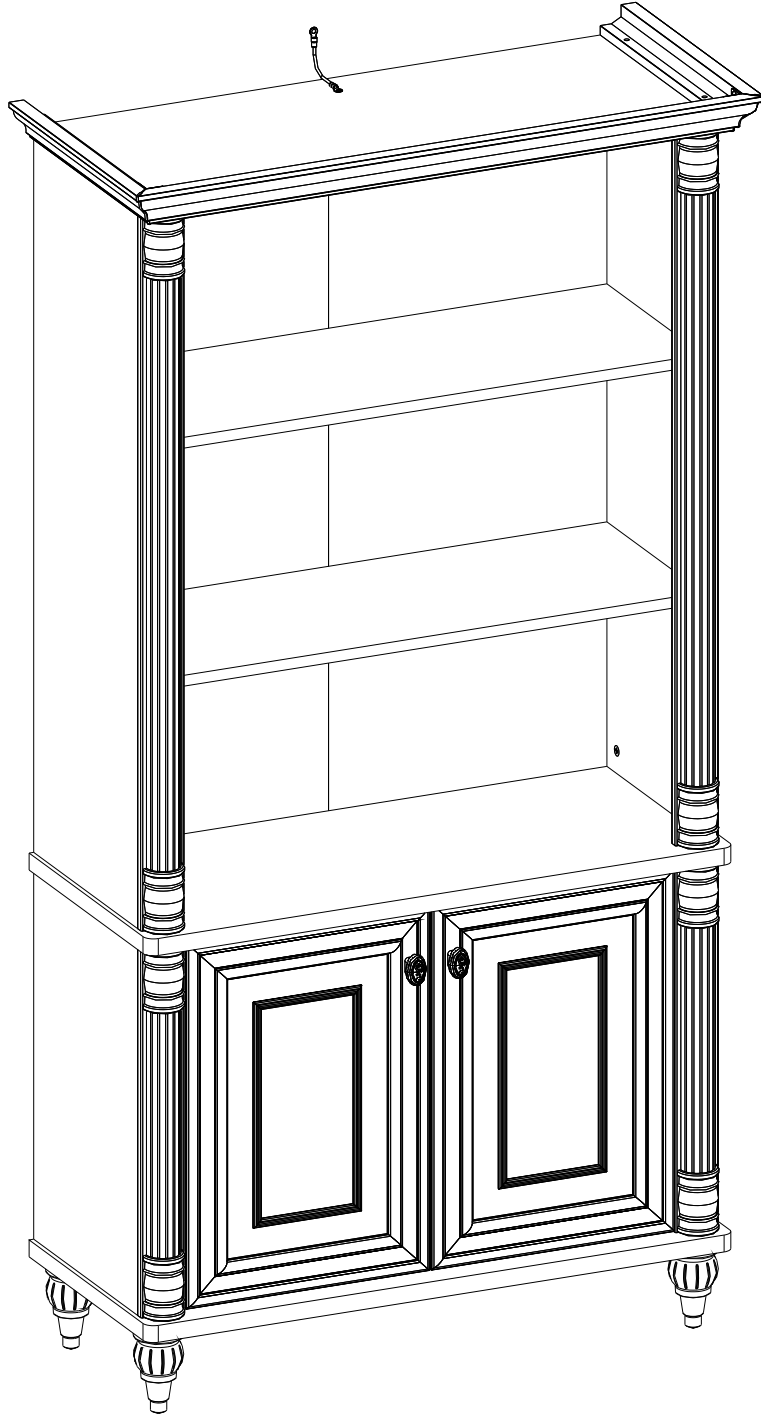
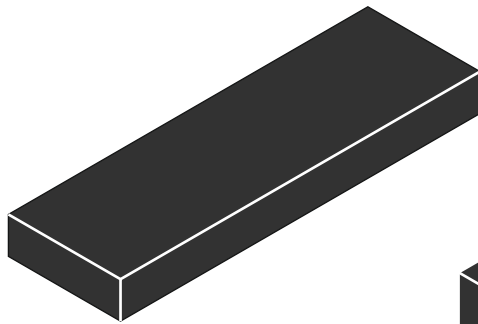
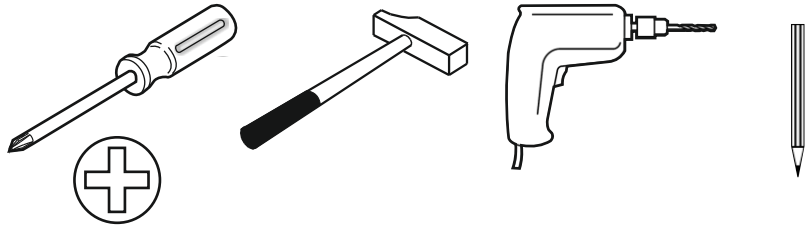
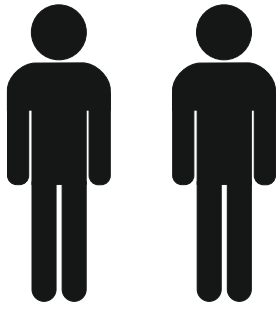
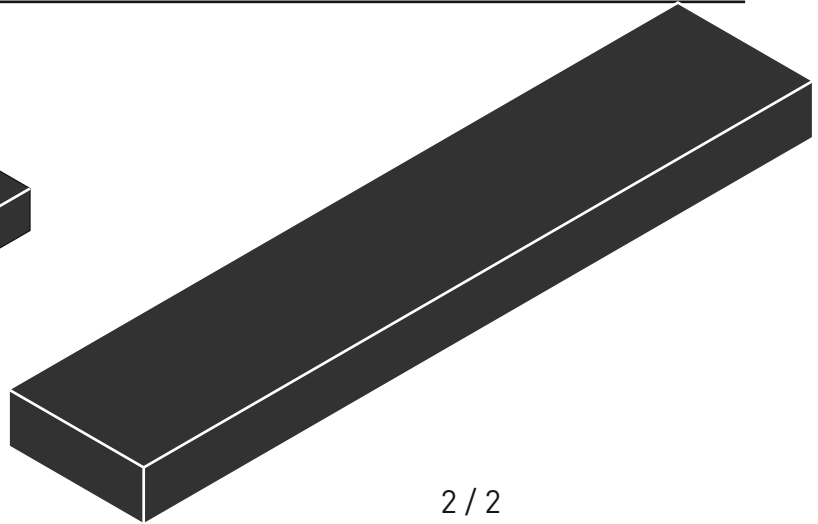


20.21.1501.01

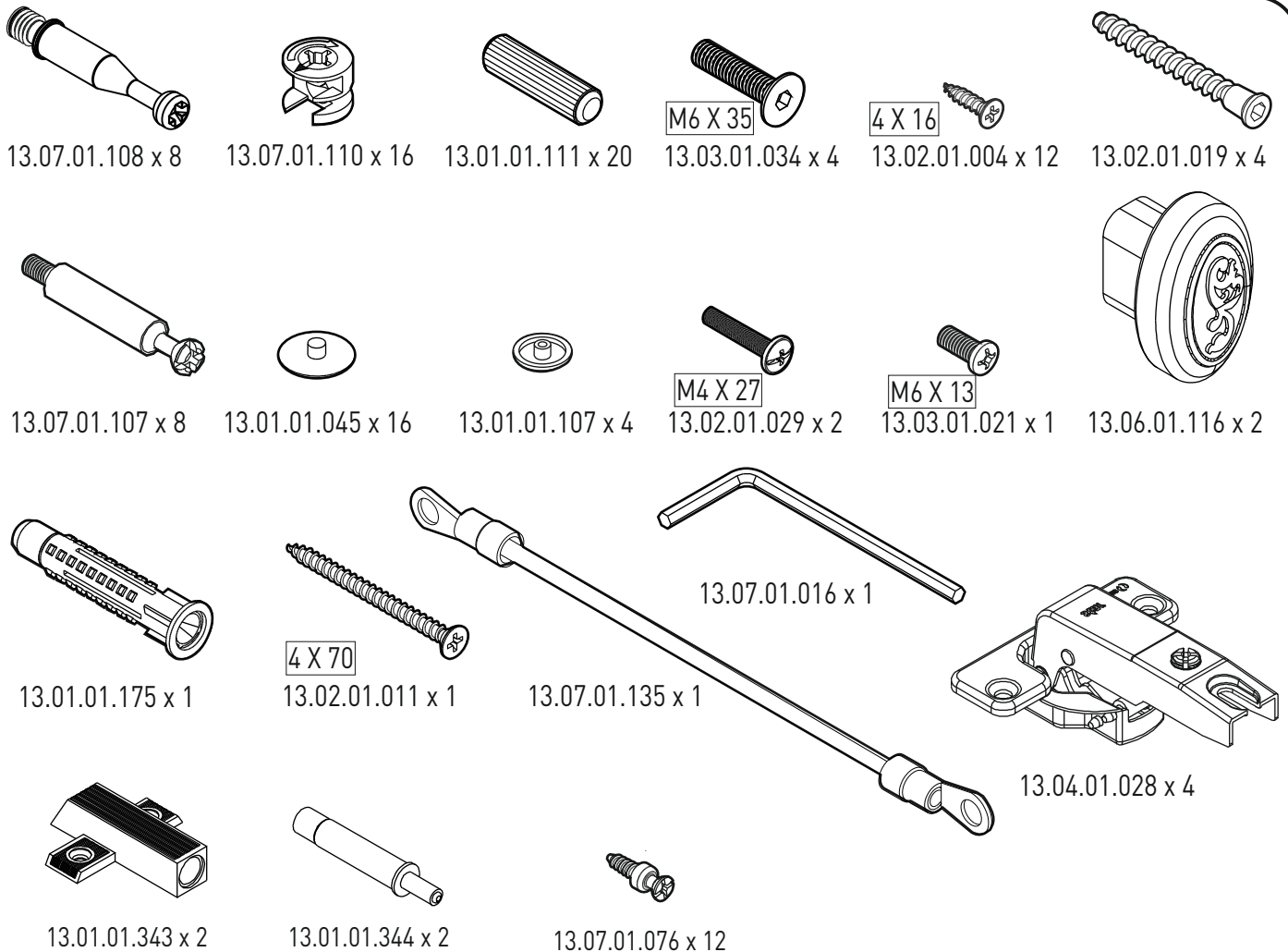




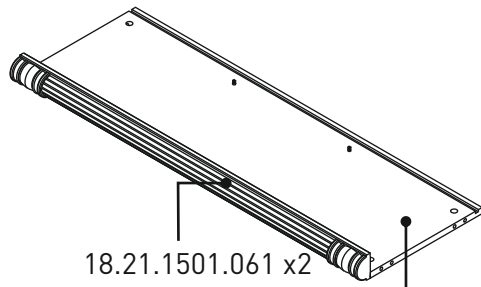
2 / 1



2 / 2

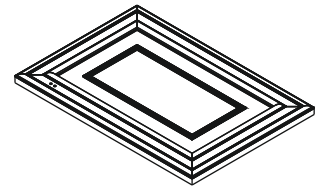


2/1

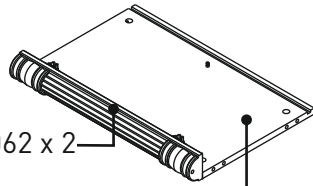


18.21.1501.061 x 2

18.21.1501.006 x 2

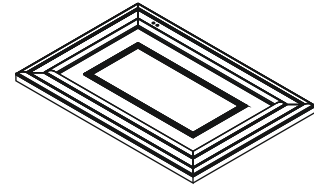


18.21.1501.051 x 1

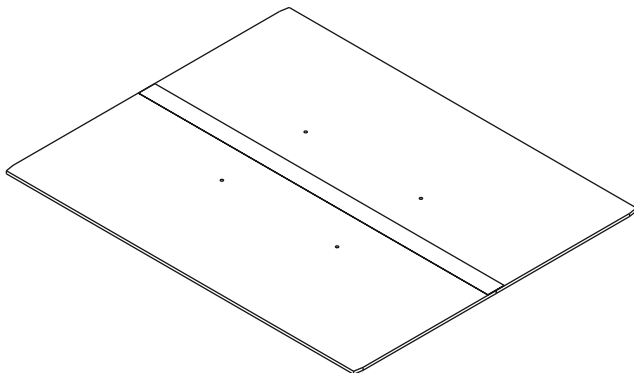


18.21.1501.062 x 2

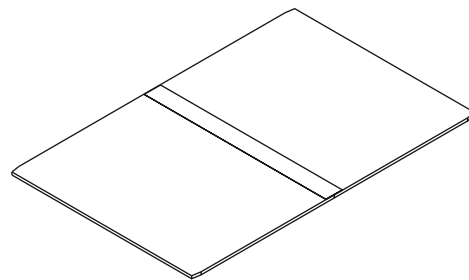
18.21.1501.052 x 2



18.21.1501.050 x 1

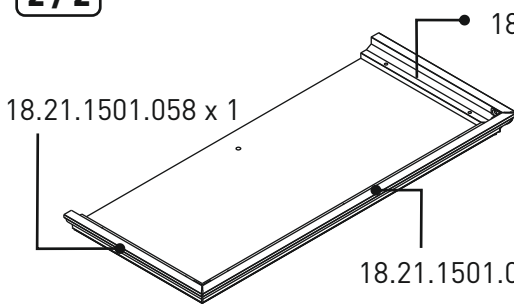


18.21.1501.018 x 1



18.21.1501.057 x 1

2/2

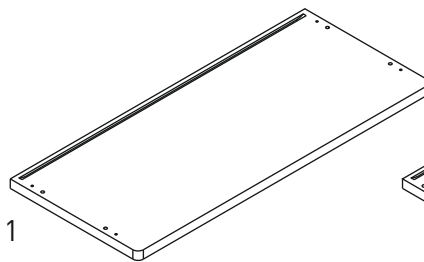


18.21.1501.058 x 1

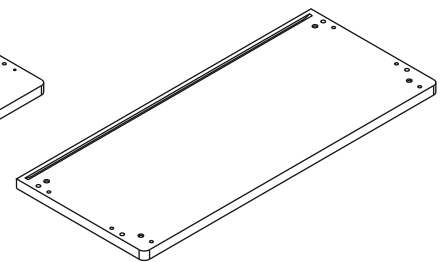
18.21.1501.060 x 1

18.21.1501.059 x 1

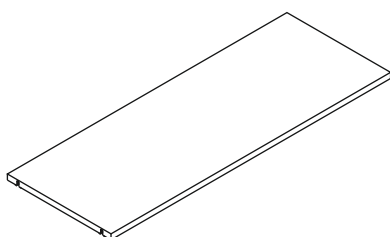
18.21.1501.009 x 1



18.21.1501.005 x 1



18.21.1501.001 x 1

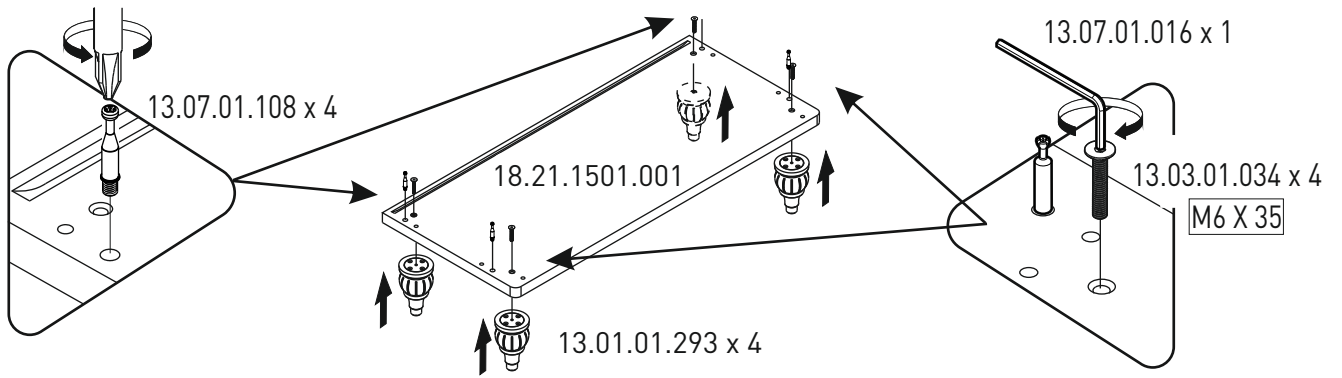


18.21.1501.016 x 3

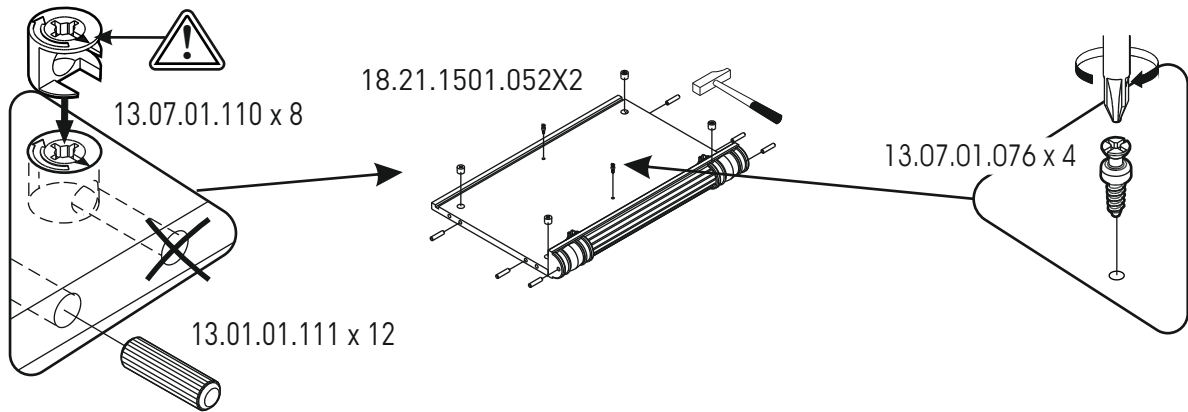


13.01.01.293 x 4

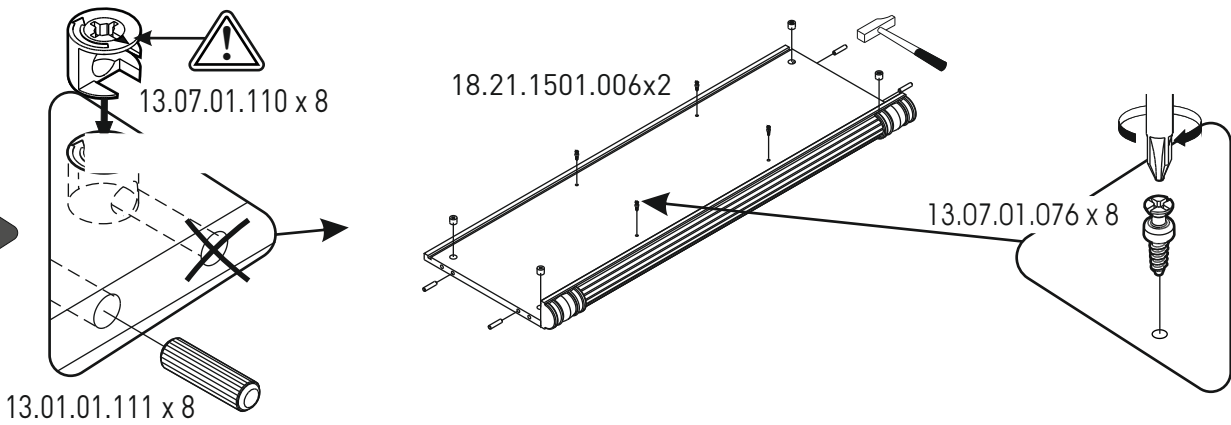
1



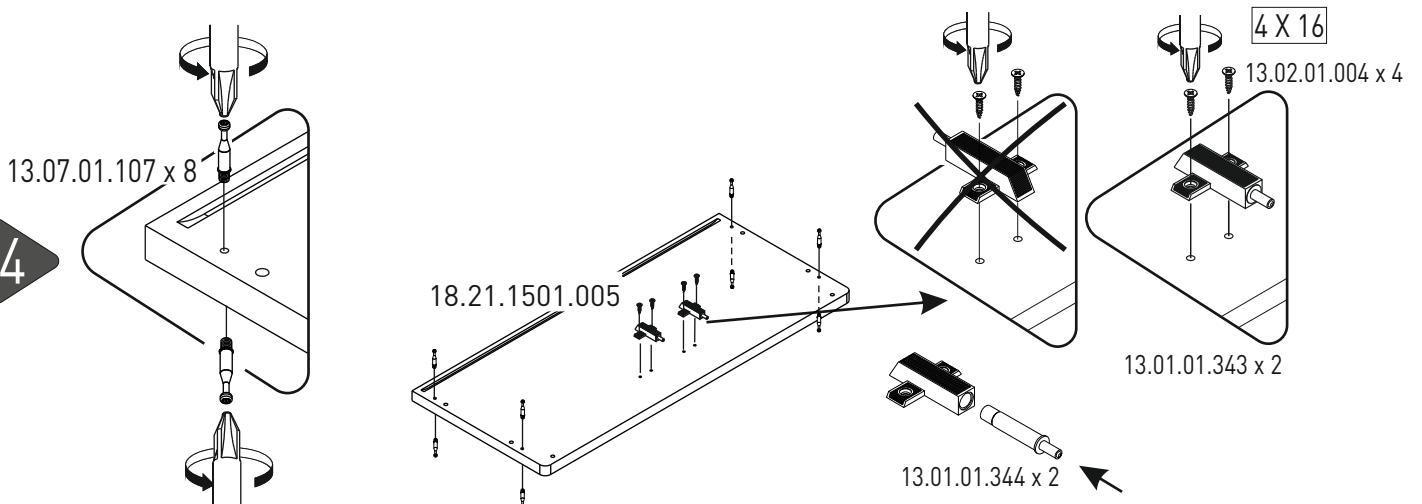
2

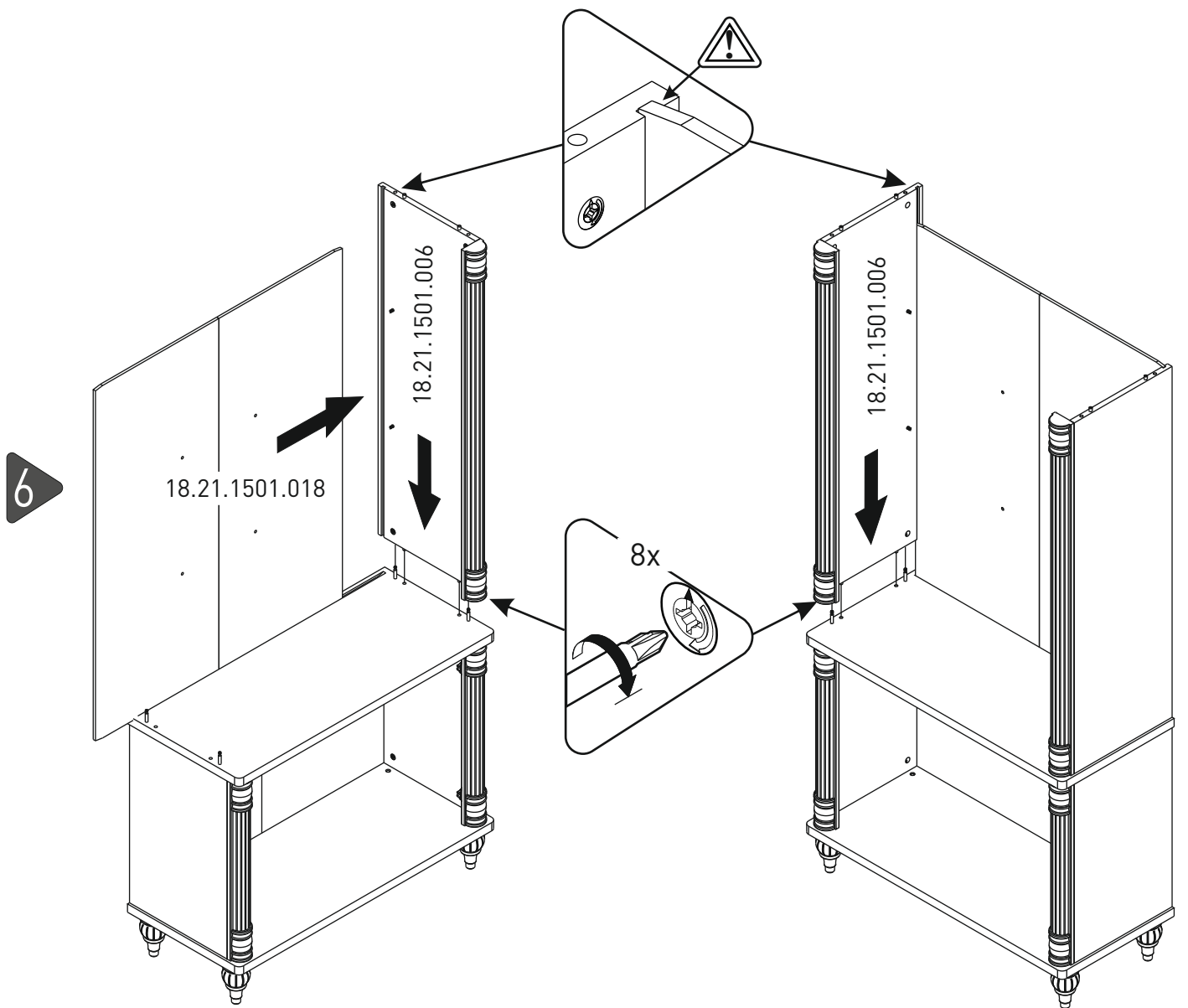
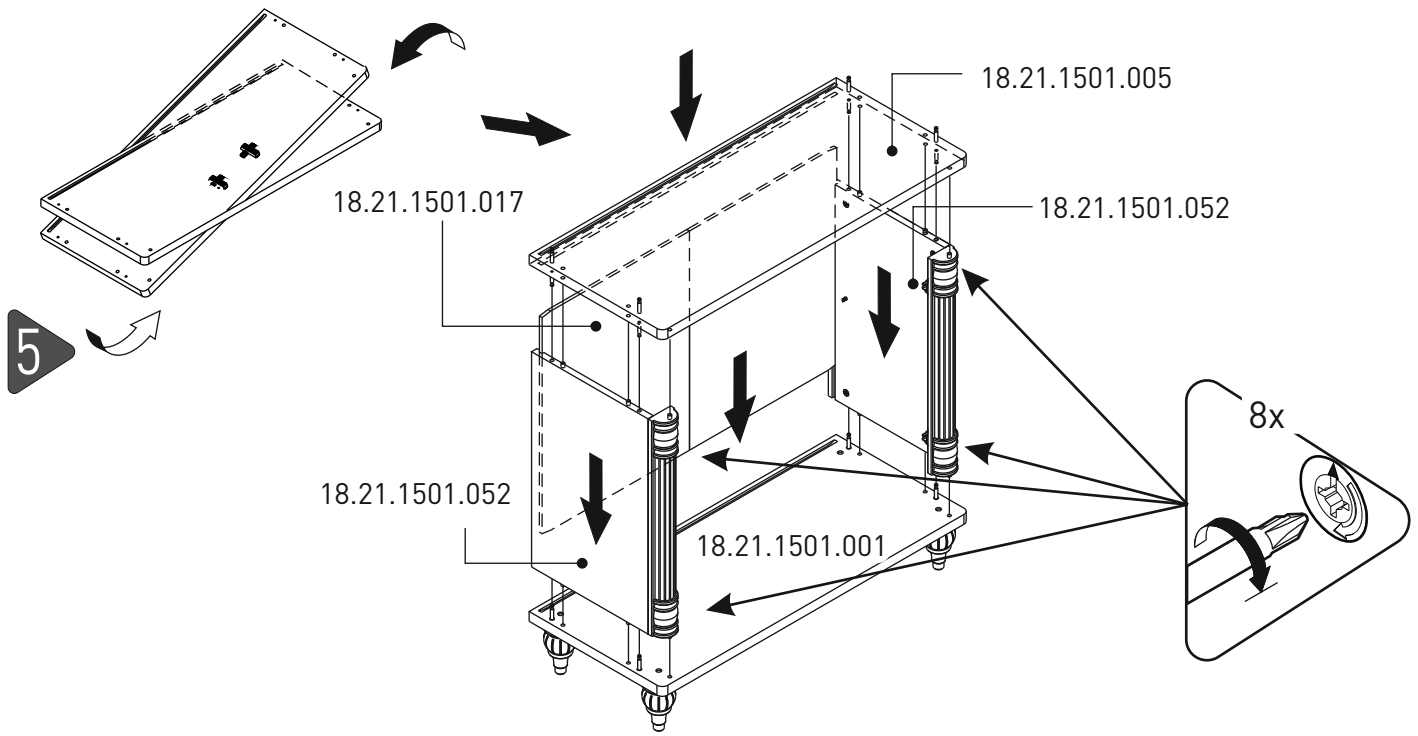


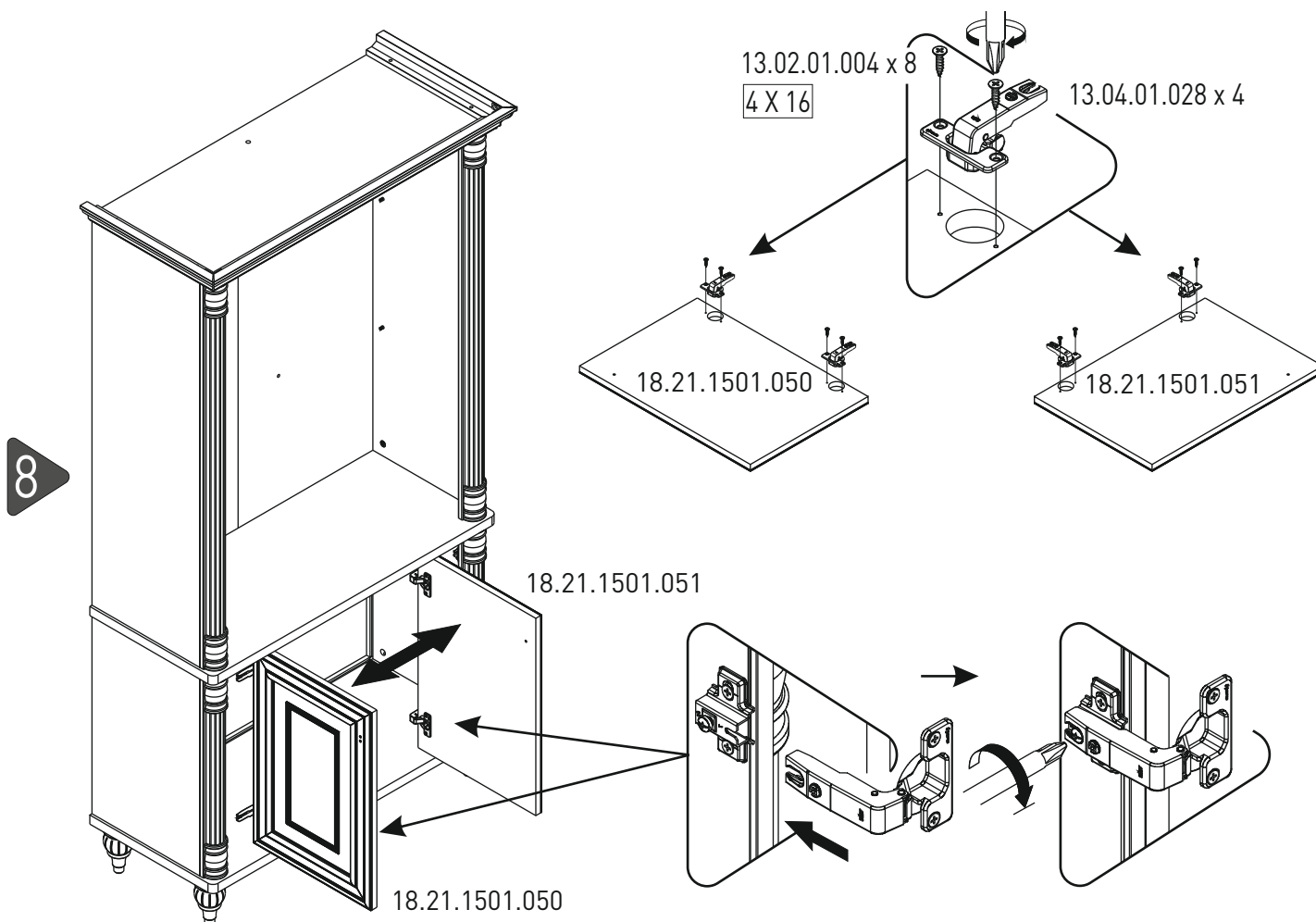
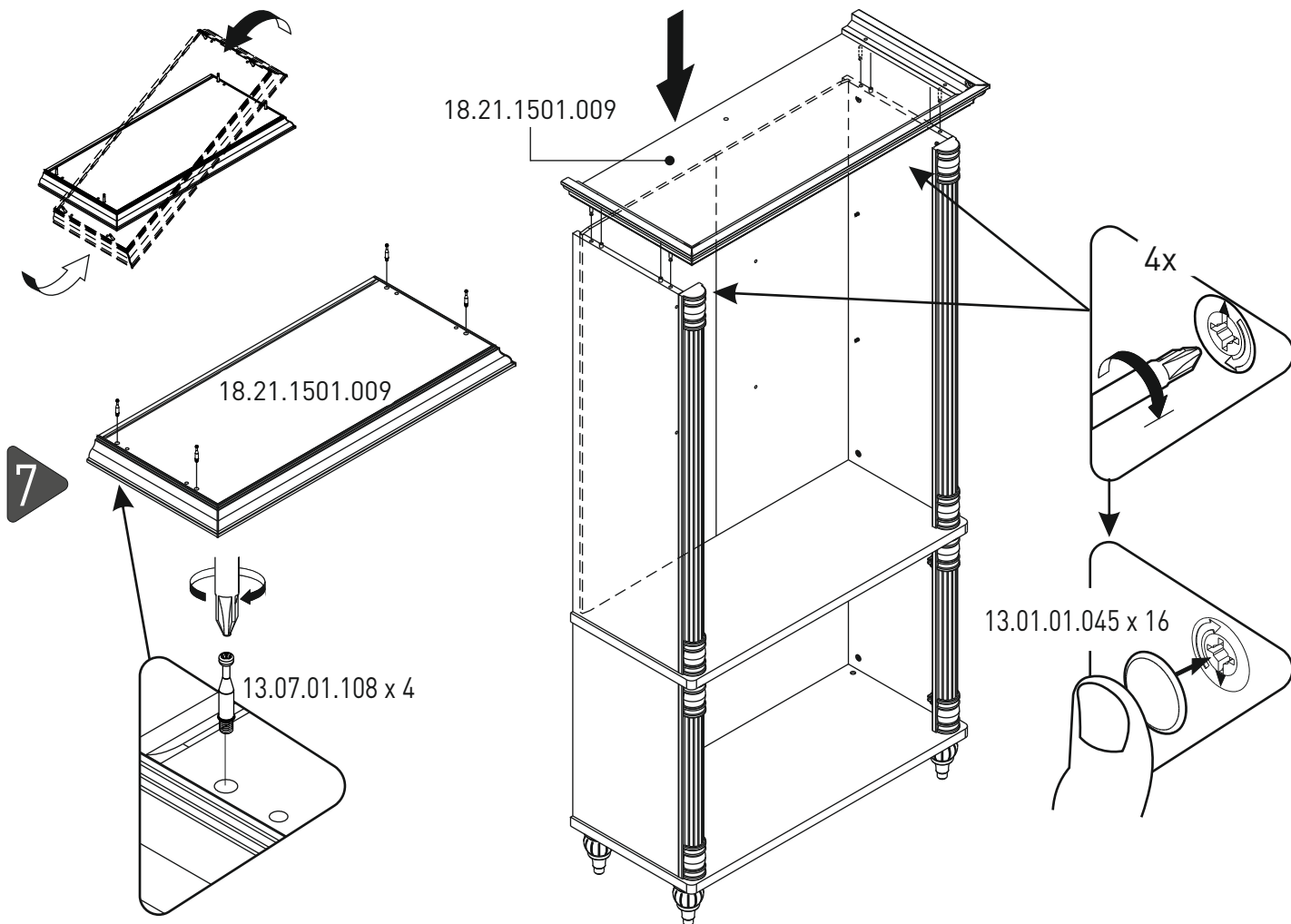
3



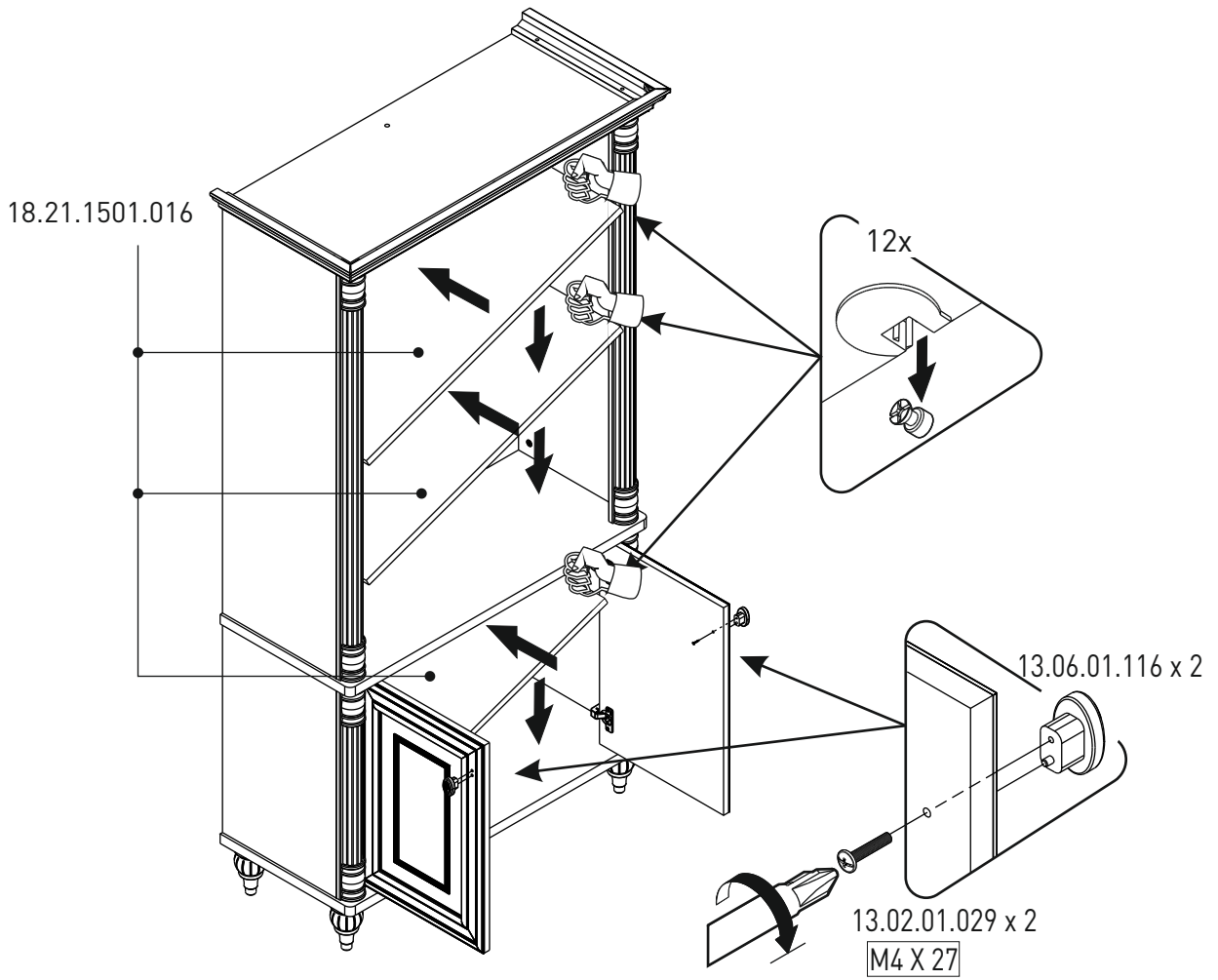
4



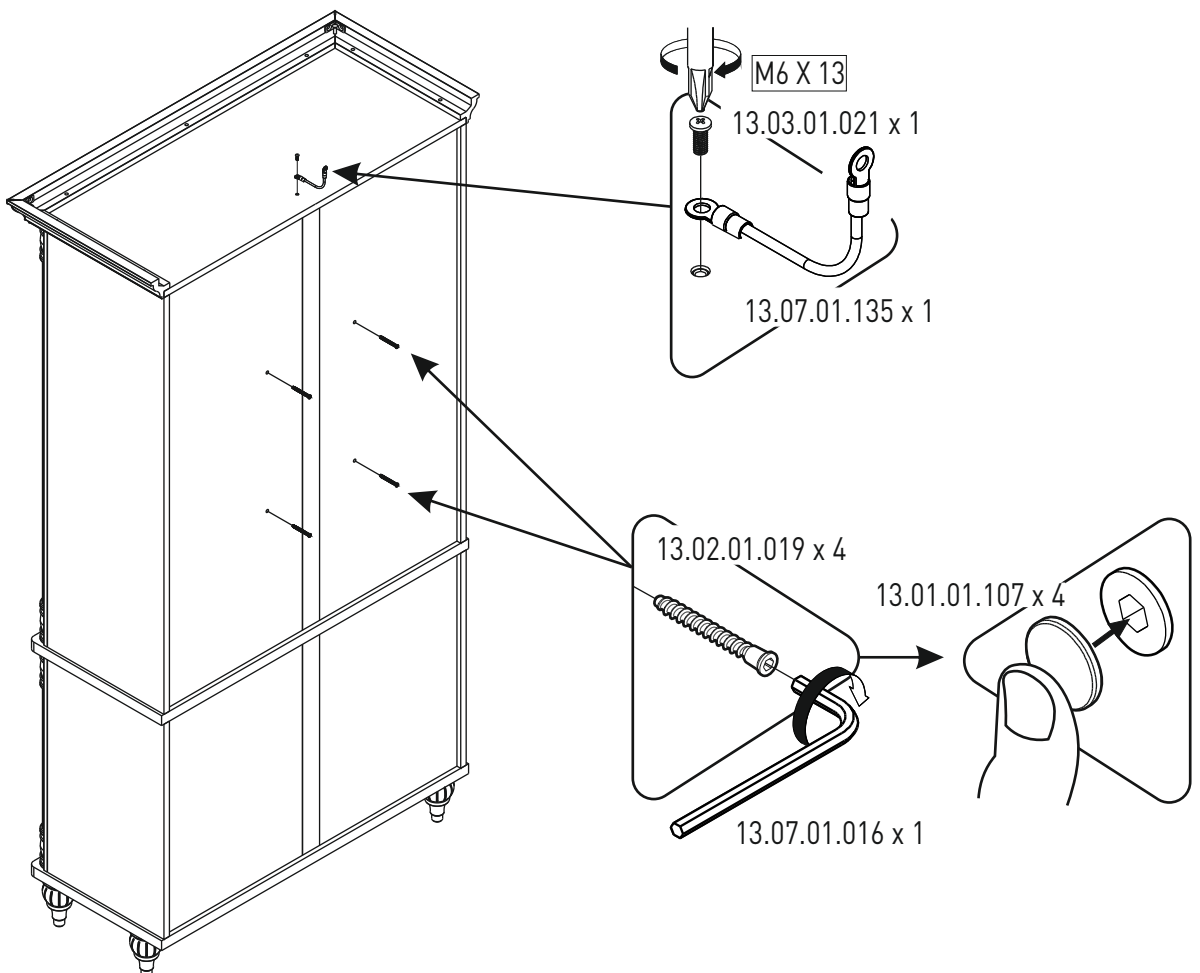




9



10



11

