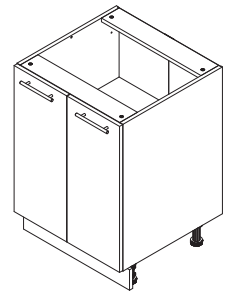
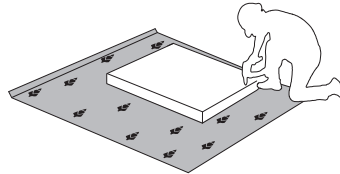
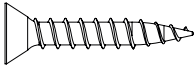
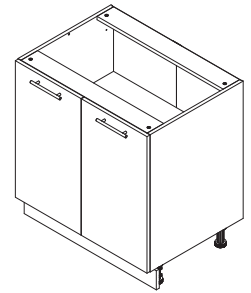




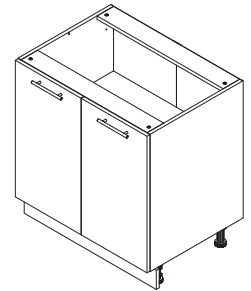
IMPORTANT - READ CAREFULLY - RETAIN FOR FUTURE REFERENCE
 WICHTIG - SOFÄLTIG LESEN UND AUFBEWAHREN



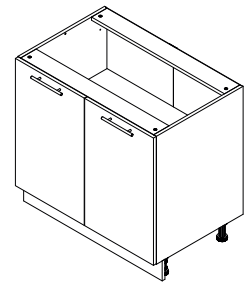
R-60-2K
600X840X600



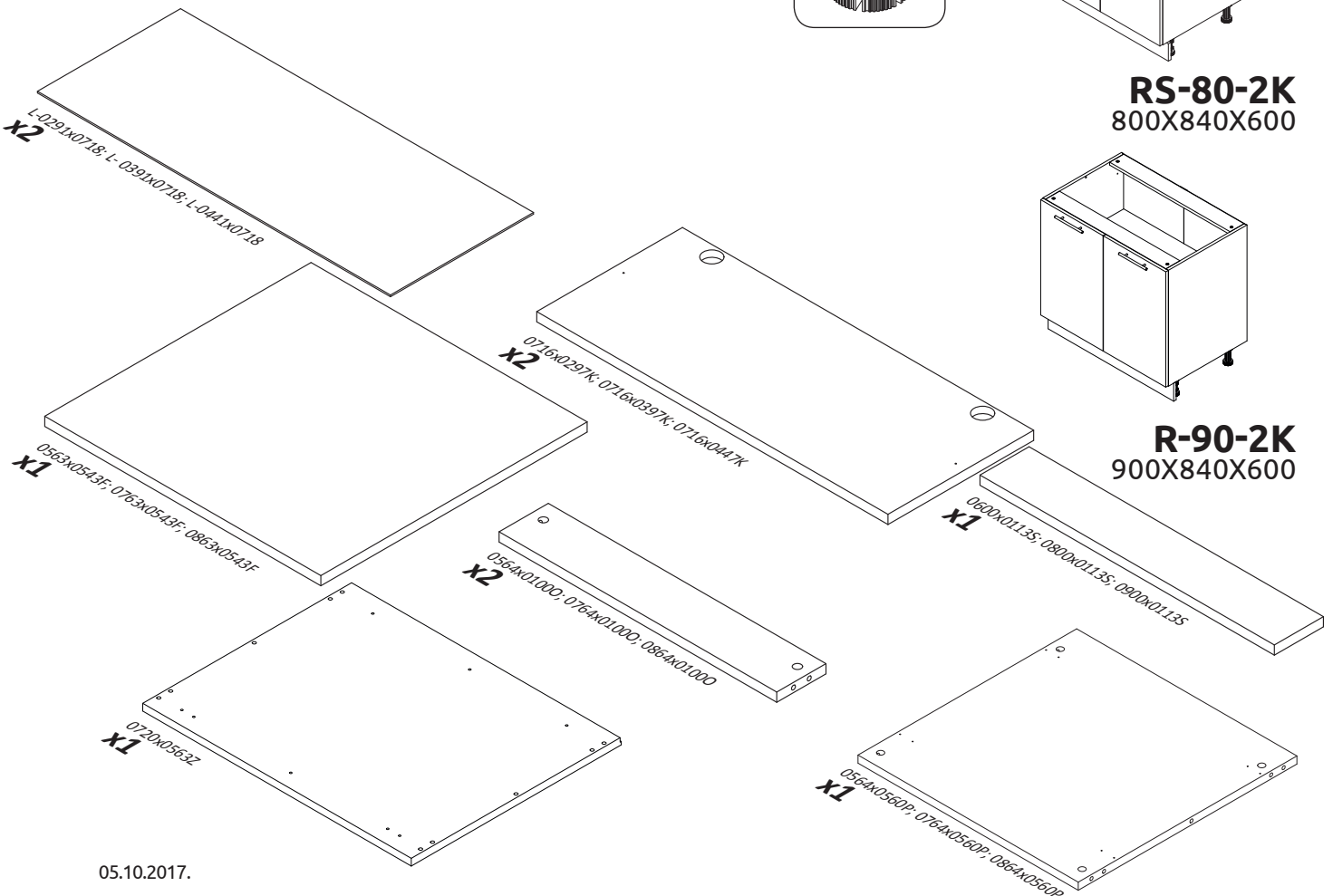
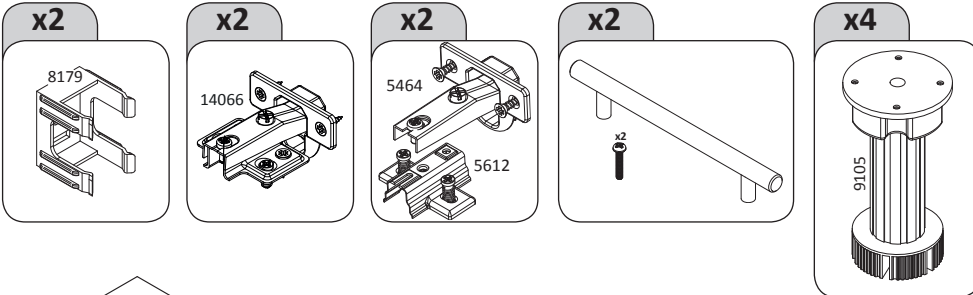
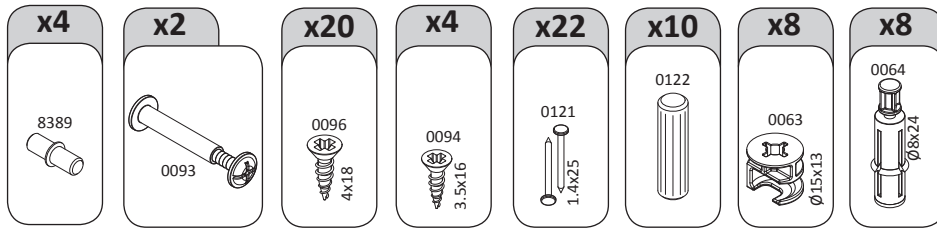
R-80-2K
800x840x600

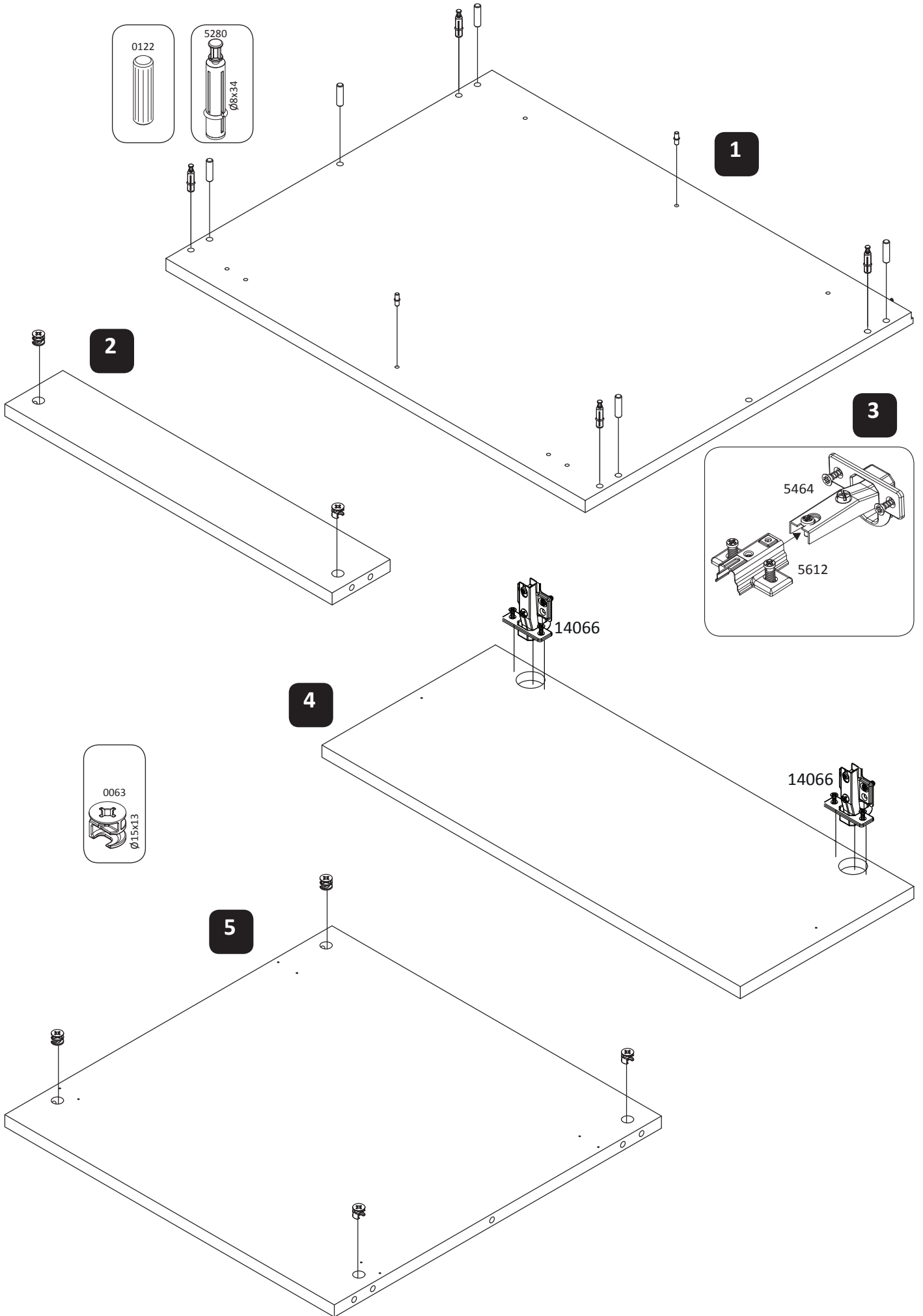


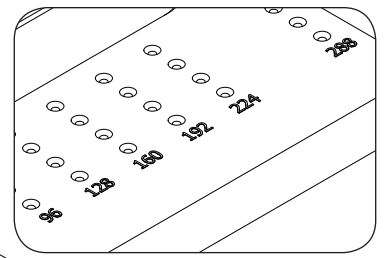
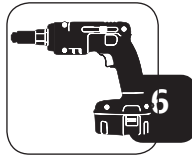
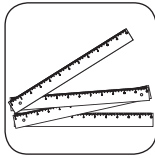
RS-80-2K
800X840X600



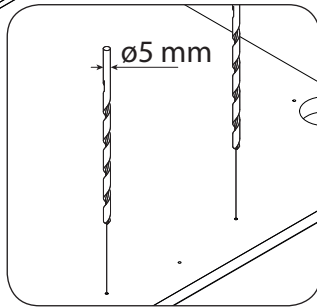
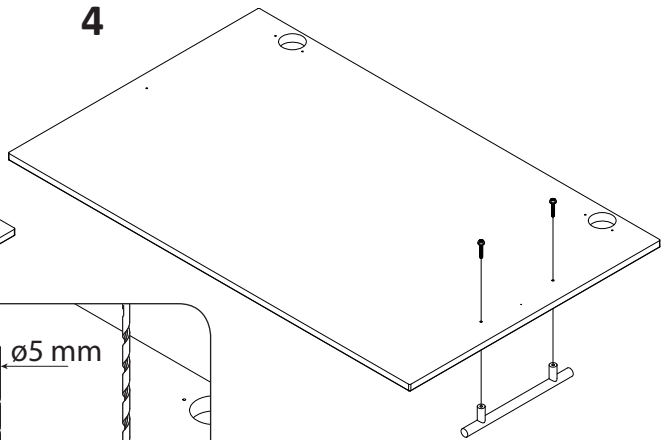
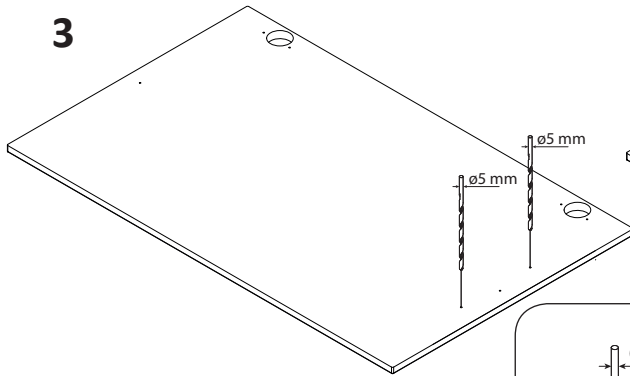
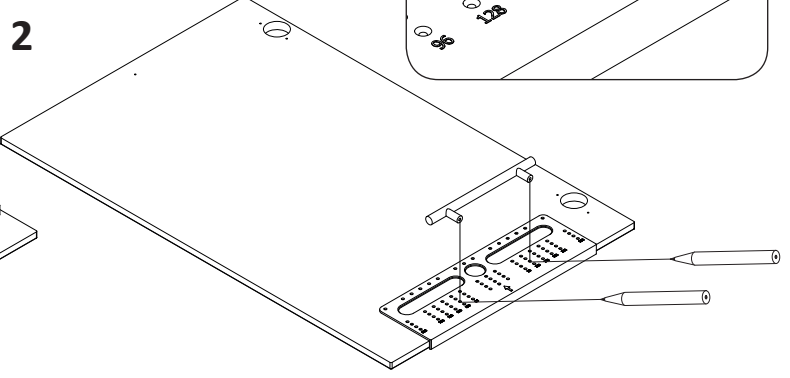
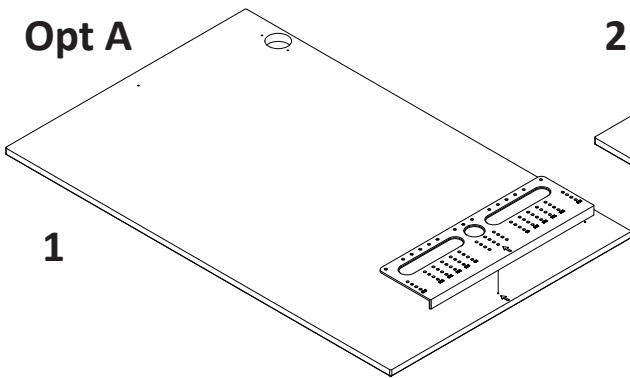
R-90-2K
900X840X600



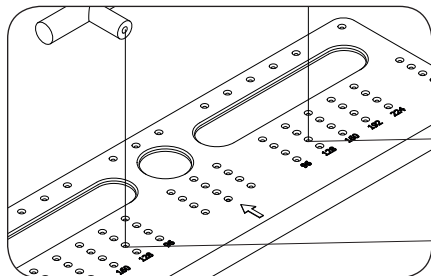
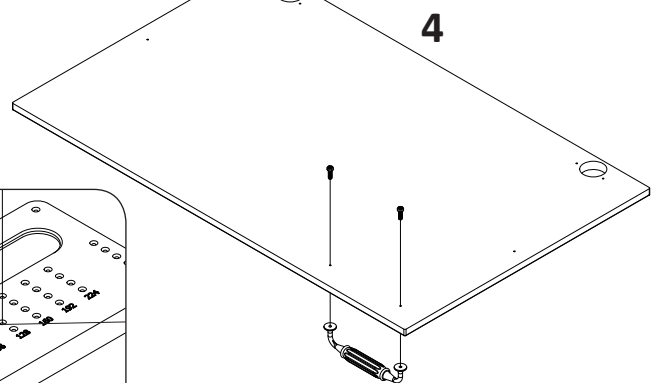
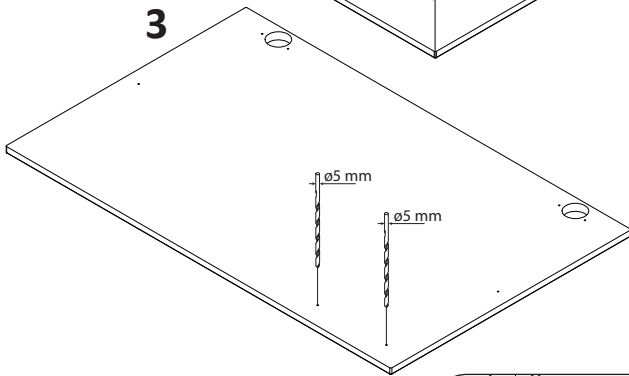
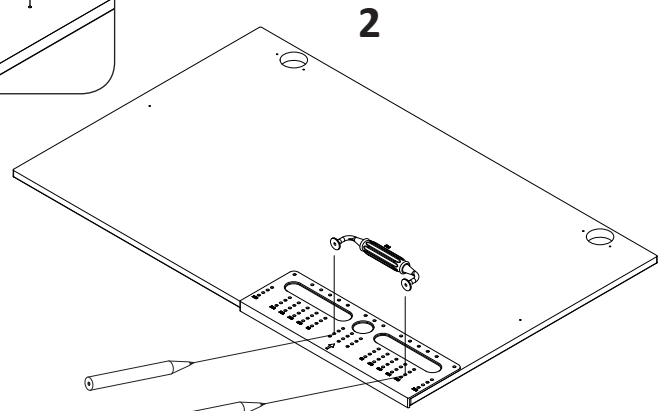
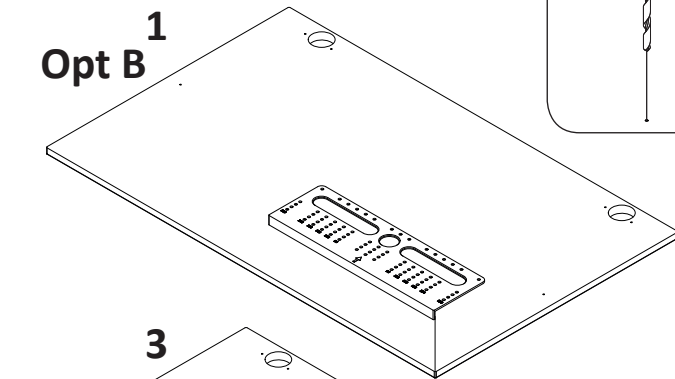


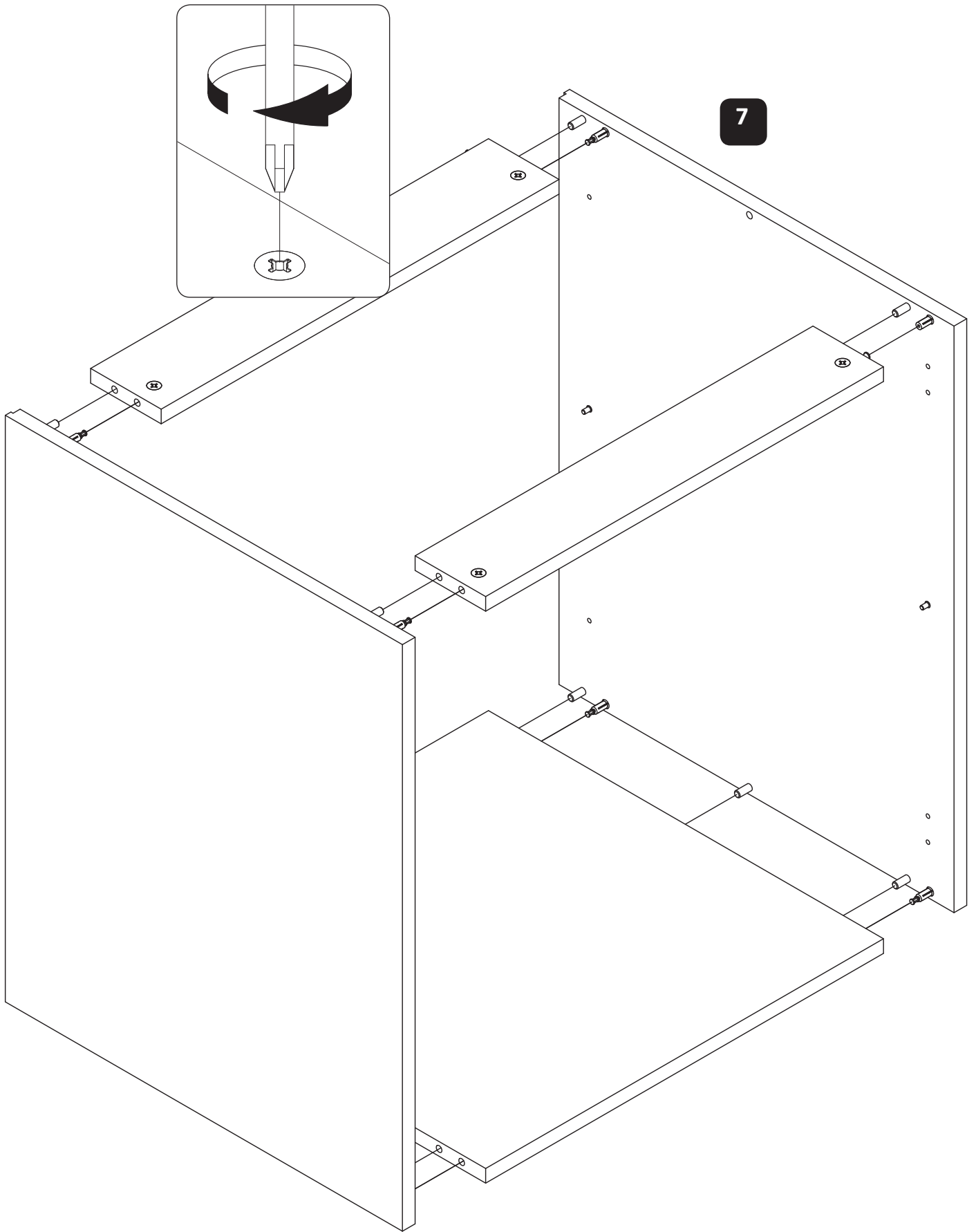


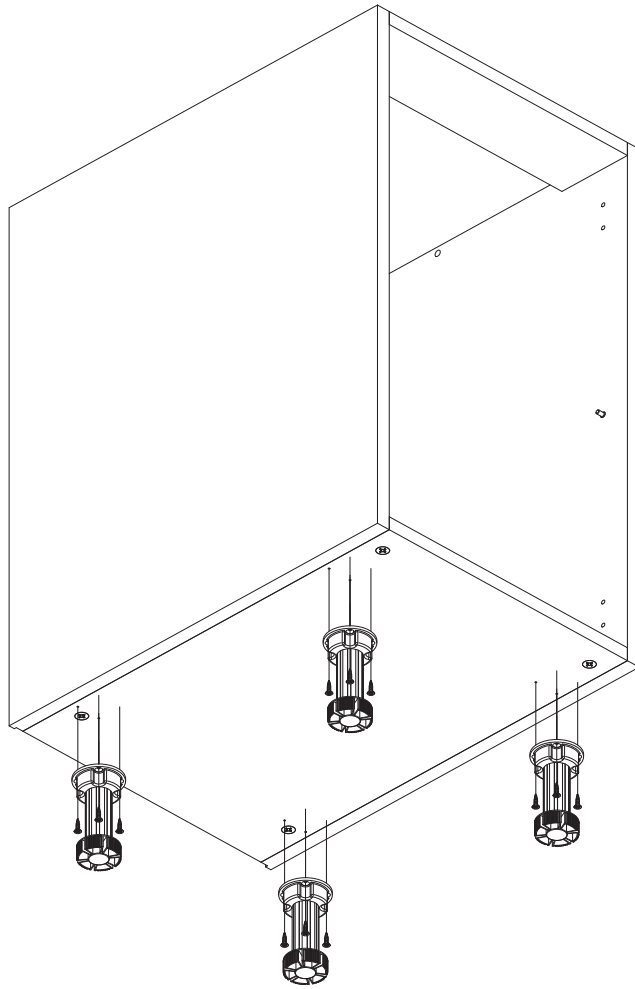
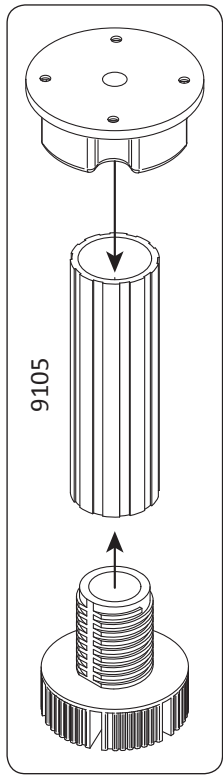
Opt A



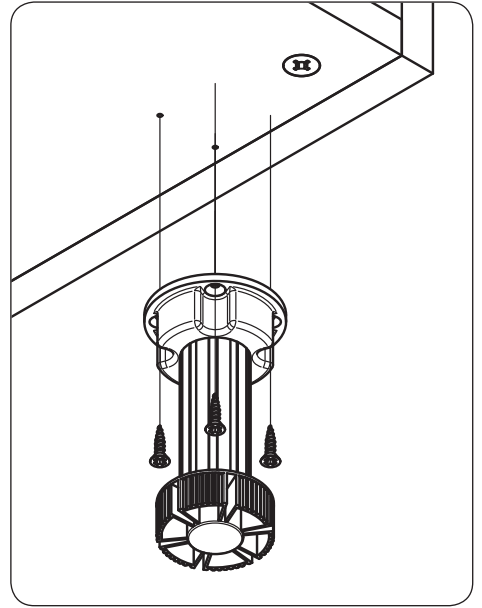
Opt B



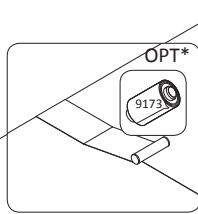
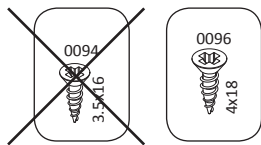




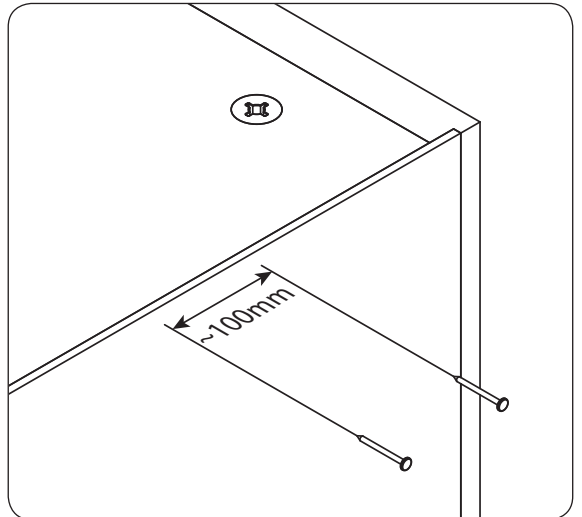
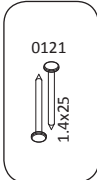
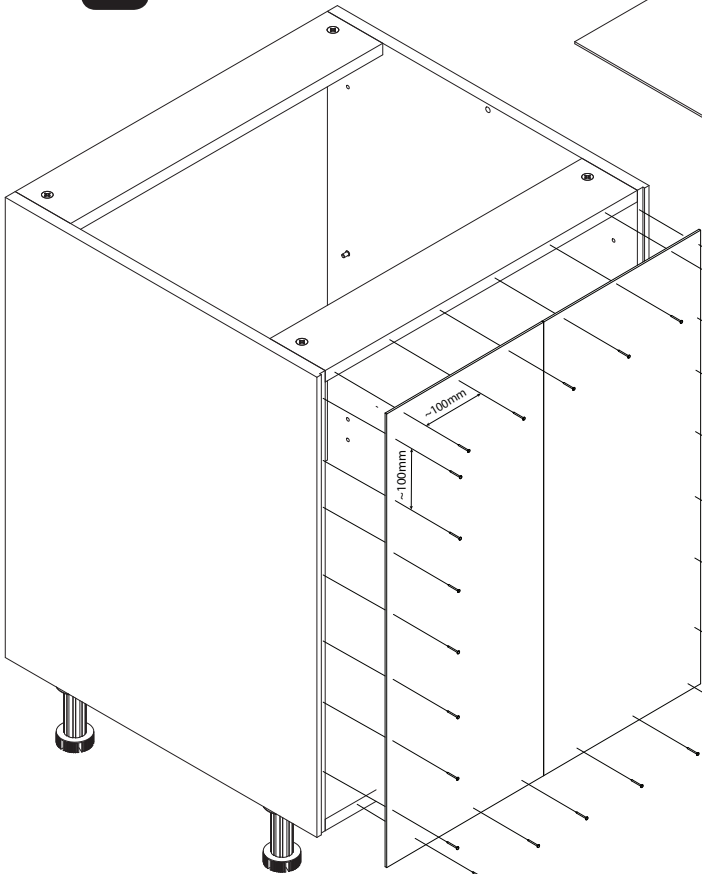
8

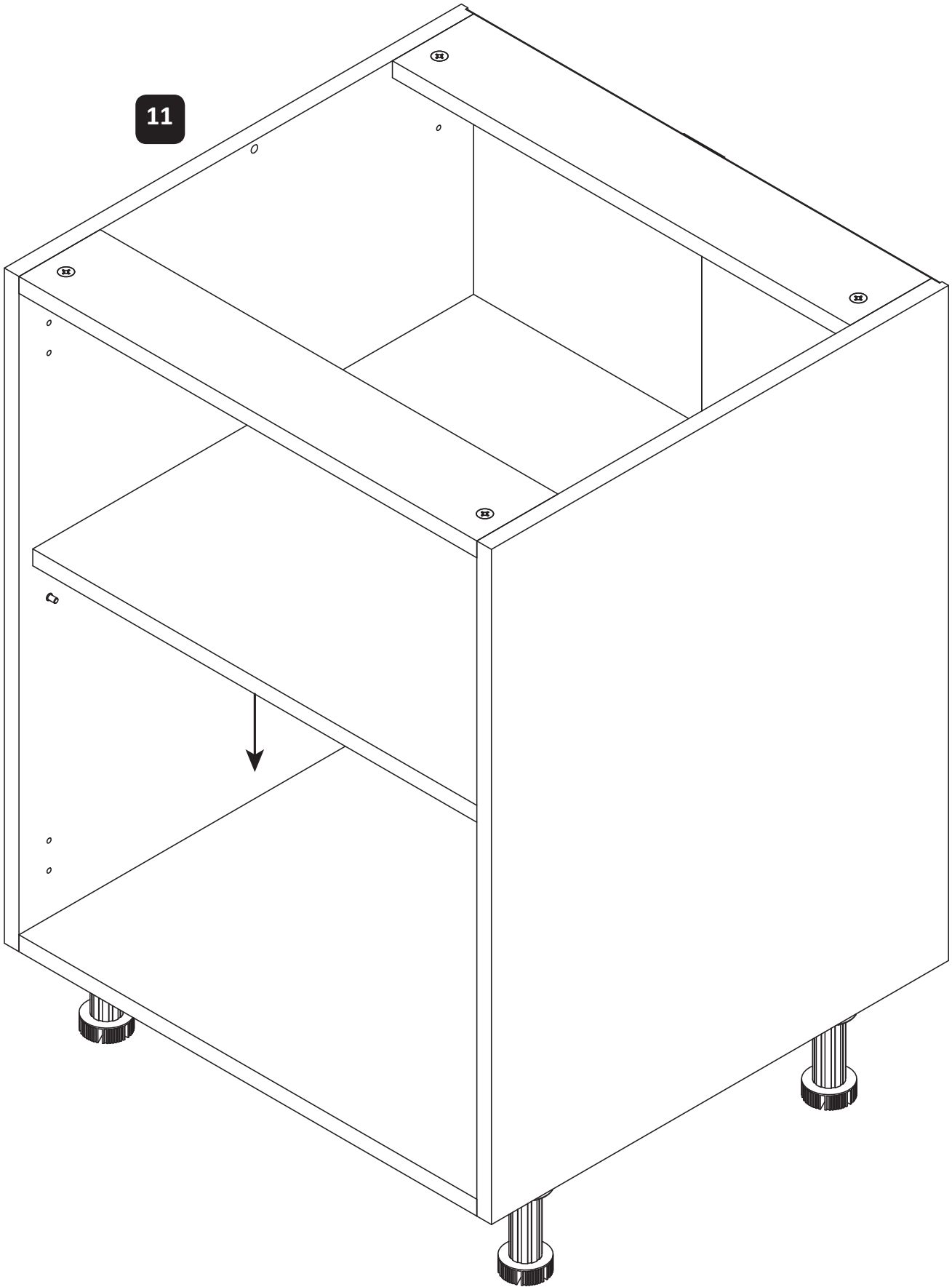


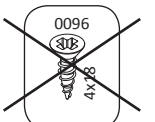
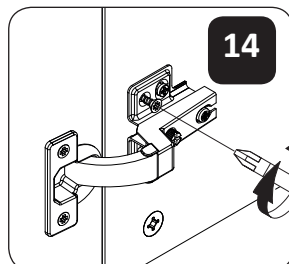
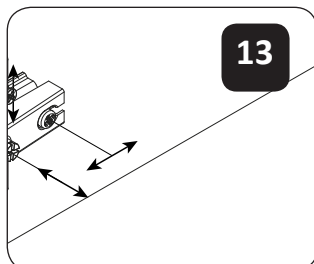
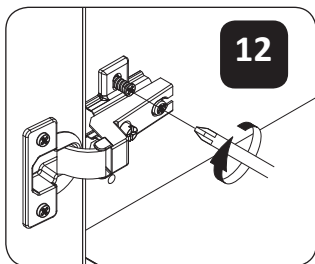
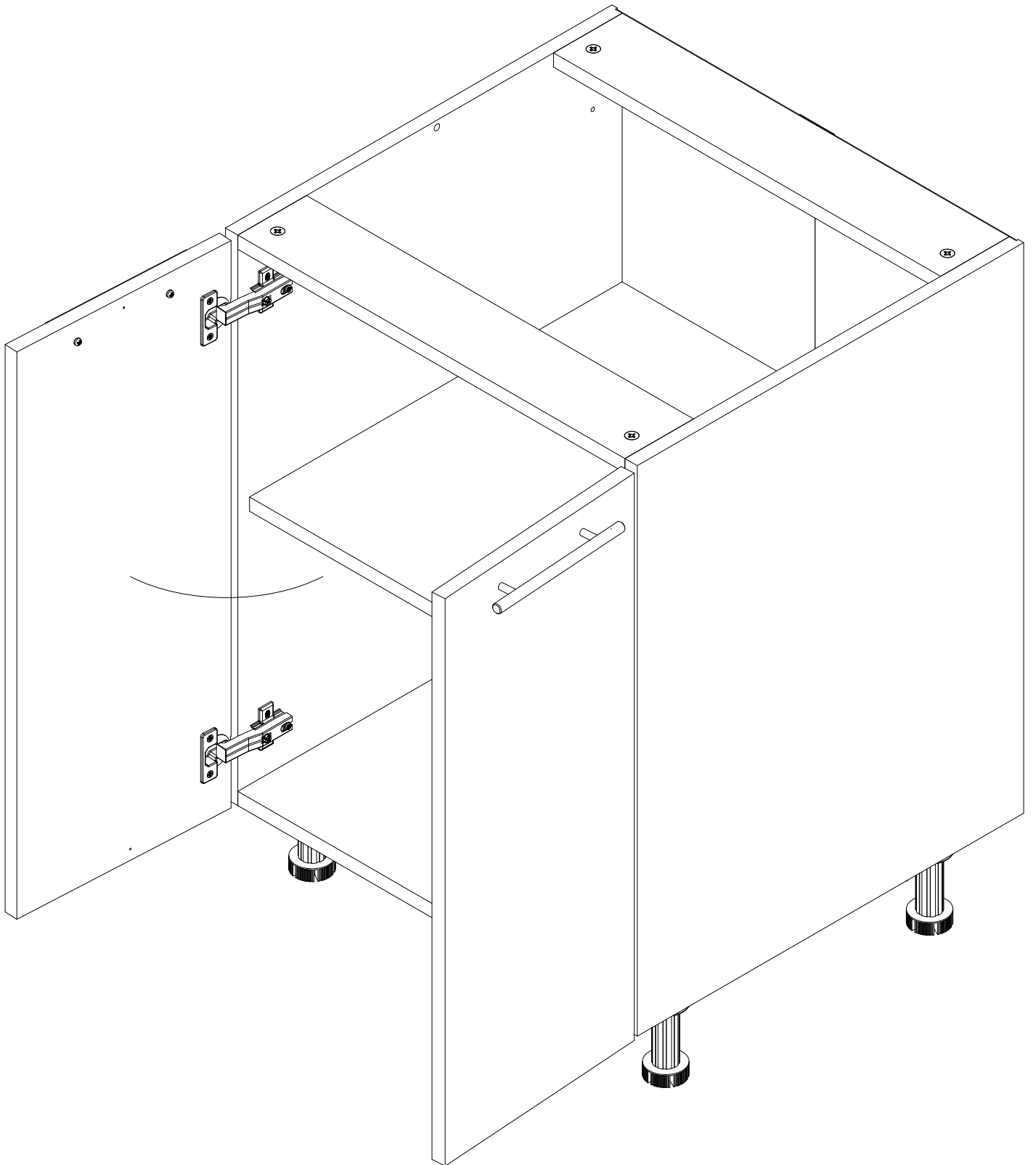
10

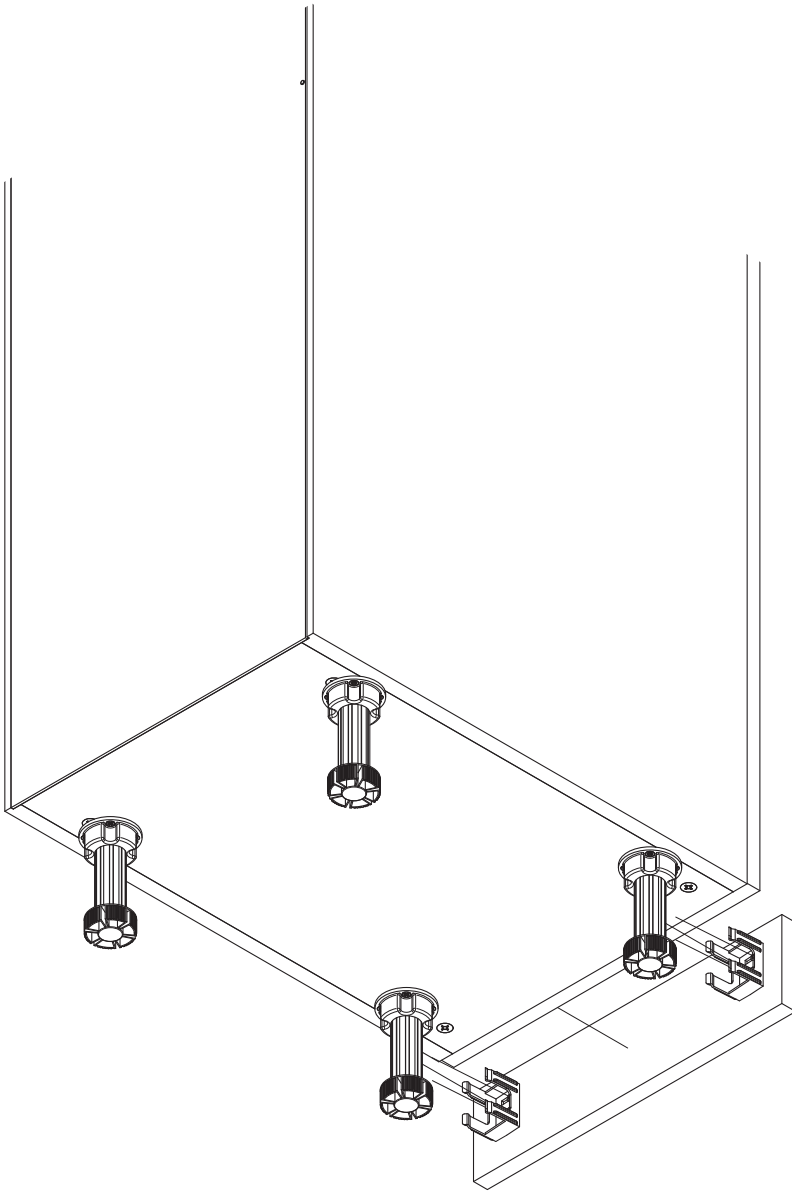


9

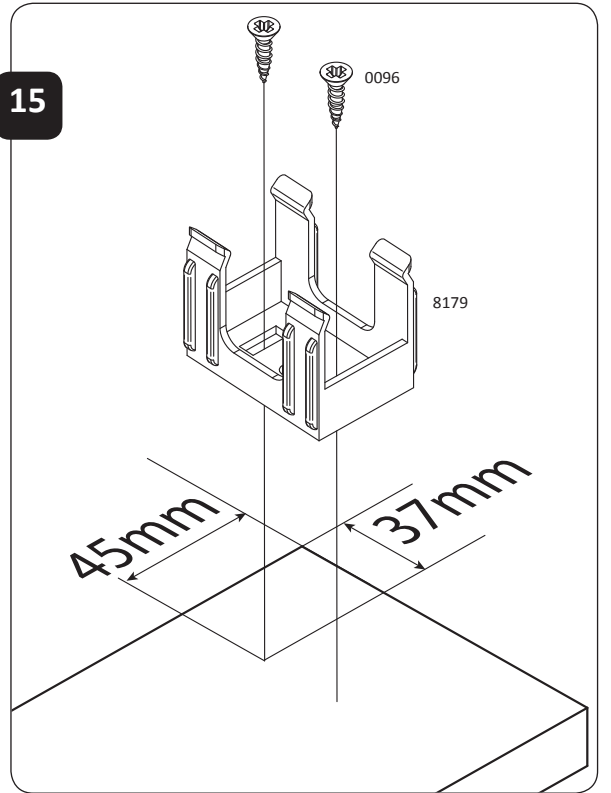








15



16

