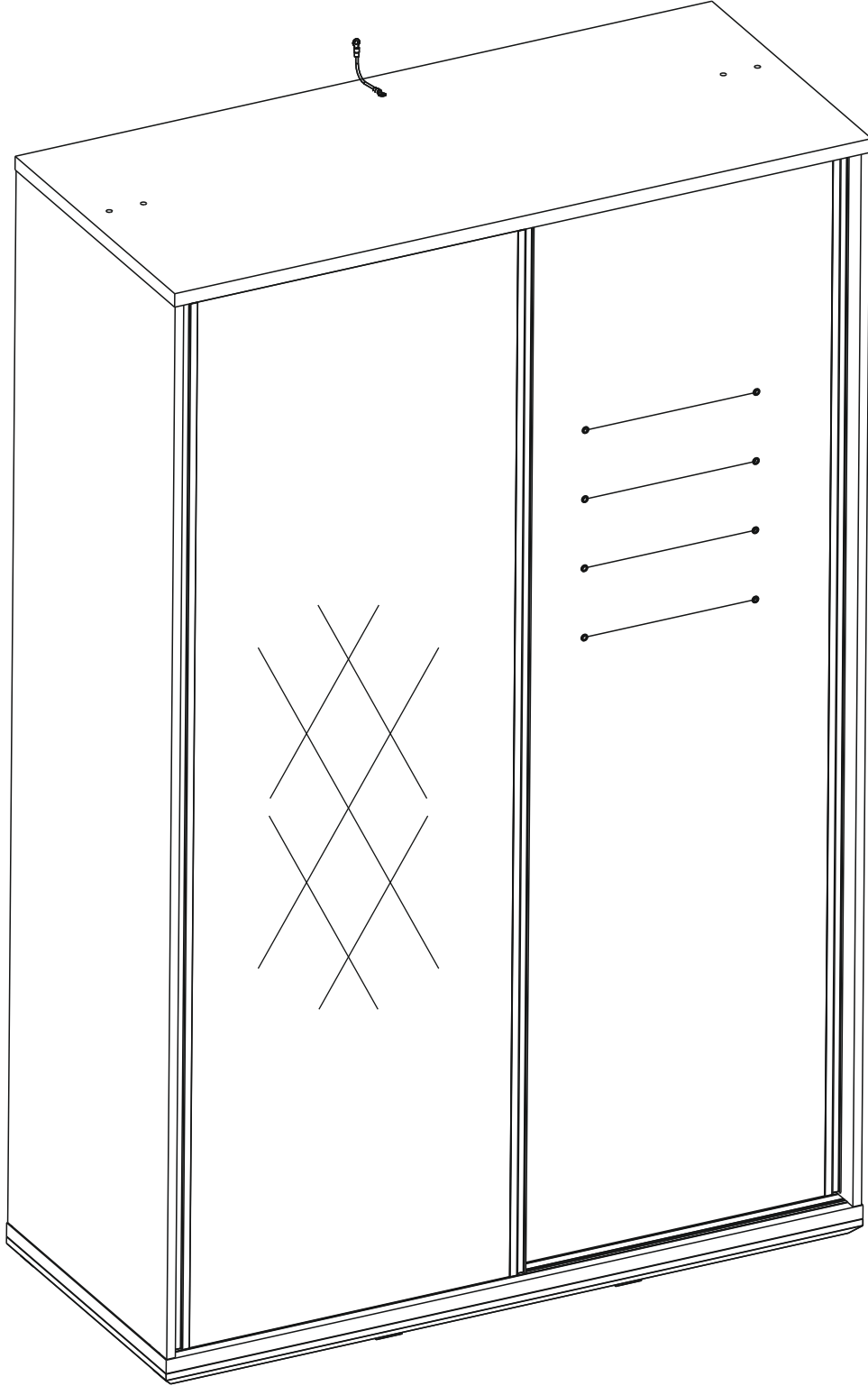
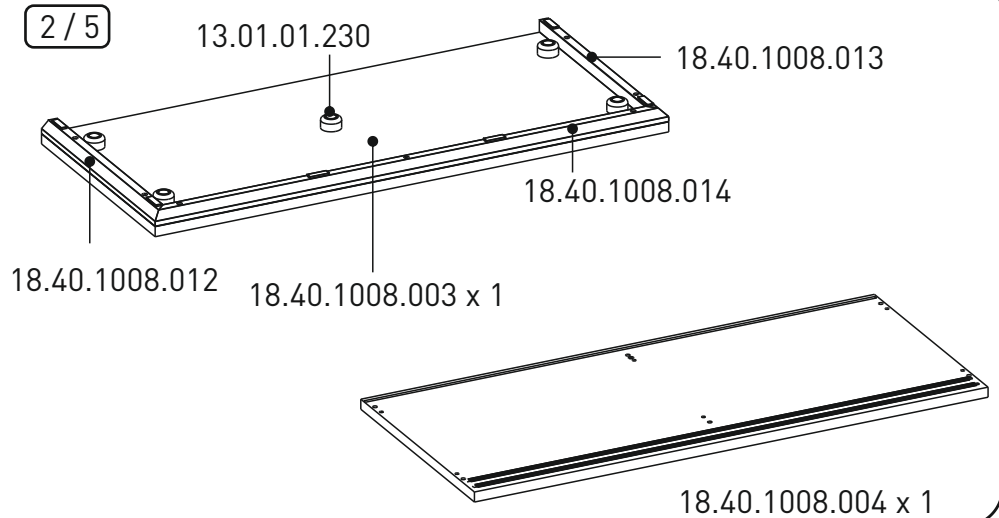
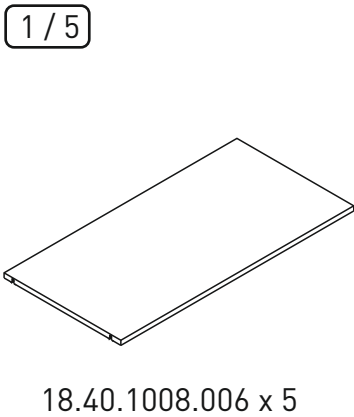
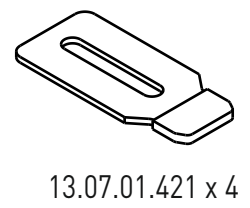
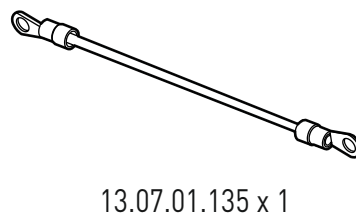
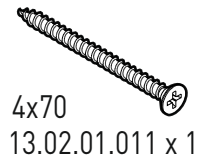
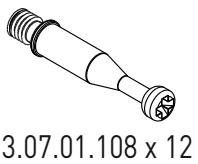
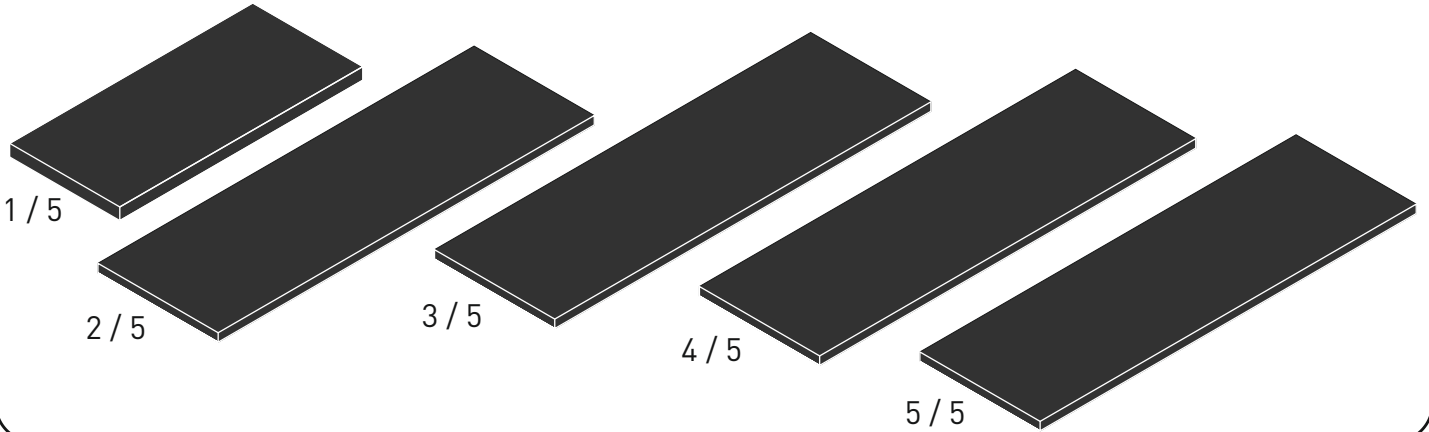
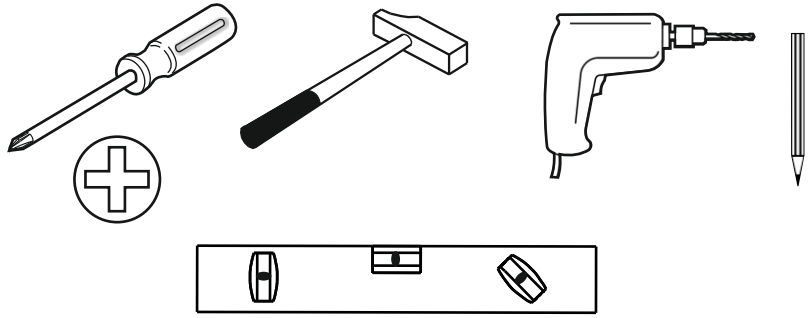
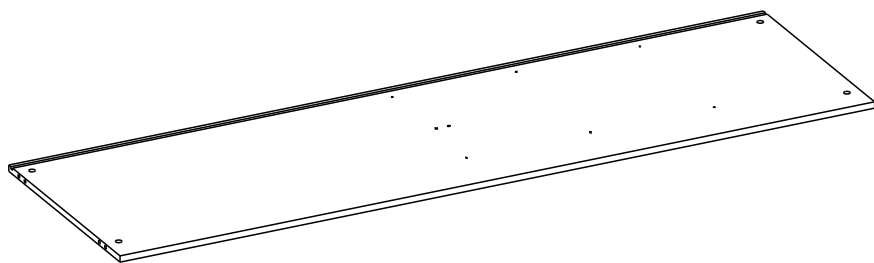


# 20.40.1008.00

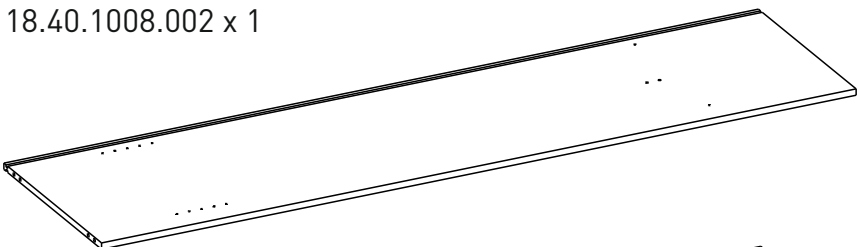




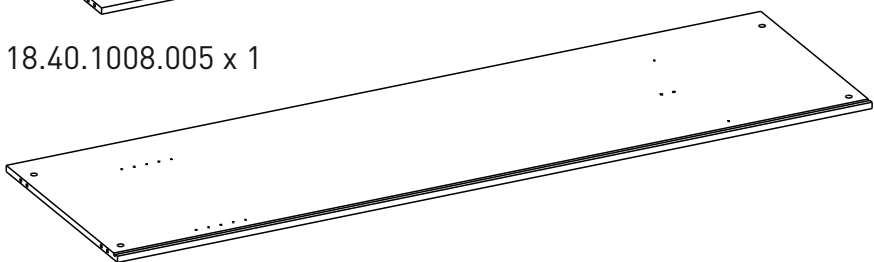
3 / 5



18.40.1008.002 x 1



18.40.1008.005 x 1

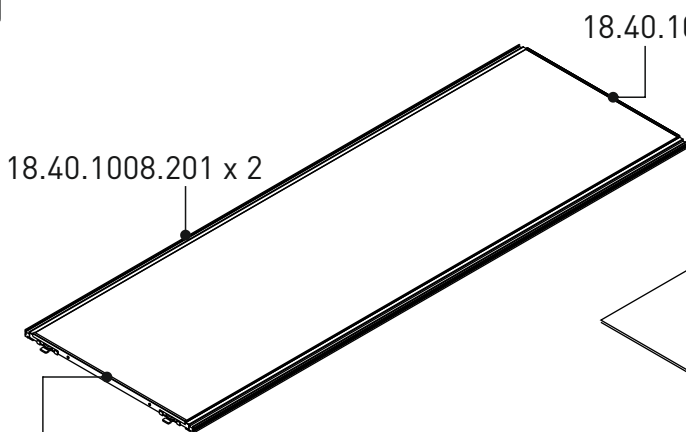


18.40.1008.001 x 1



18.40.1008.202 x 2

4 / 5

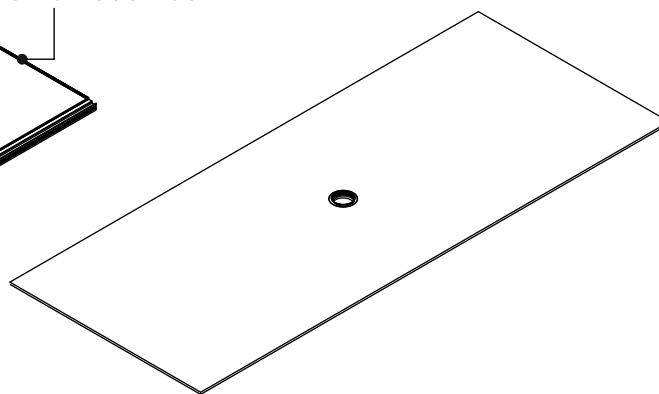


18.40.1008.201 x 2

18.40.1008.203

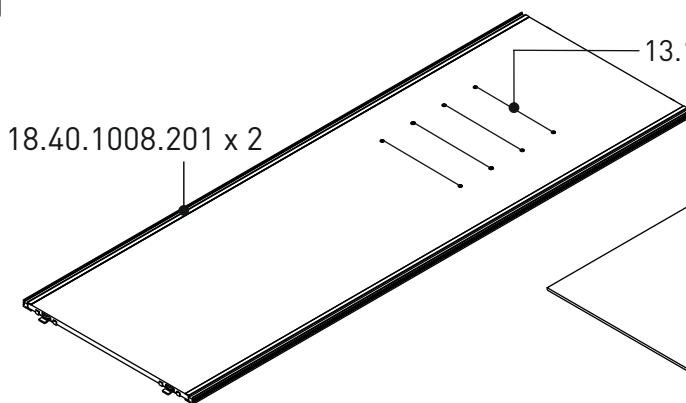
18.40.1008.203

18.40.1008.010 x 1



18.40.1008.008 x 1

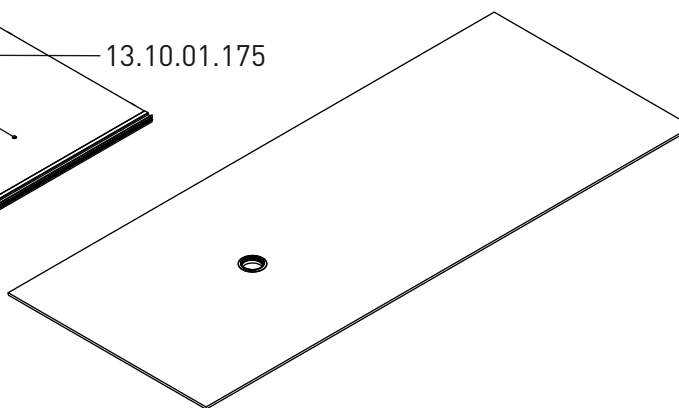
5 / 5



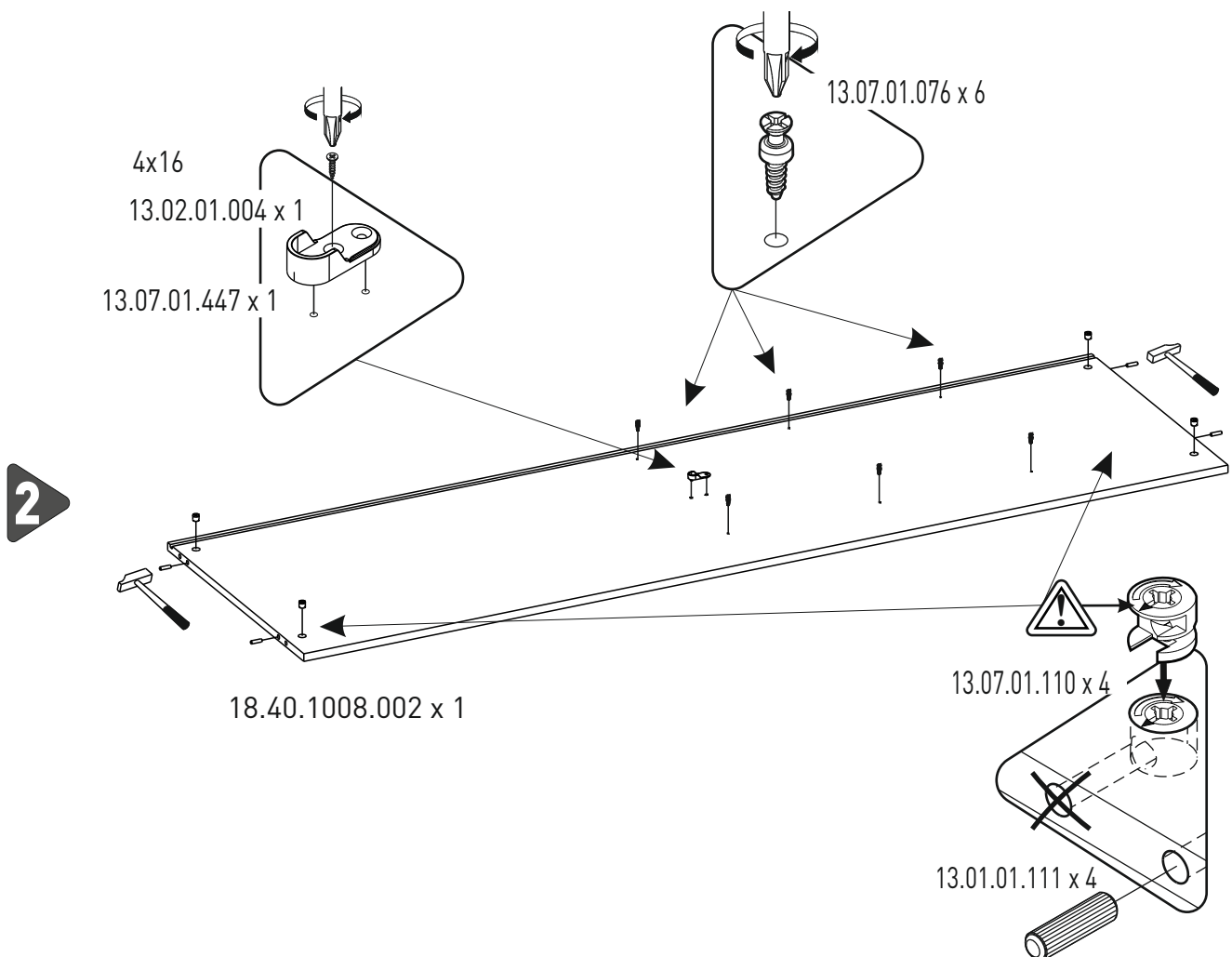
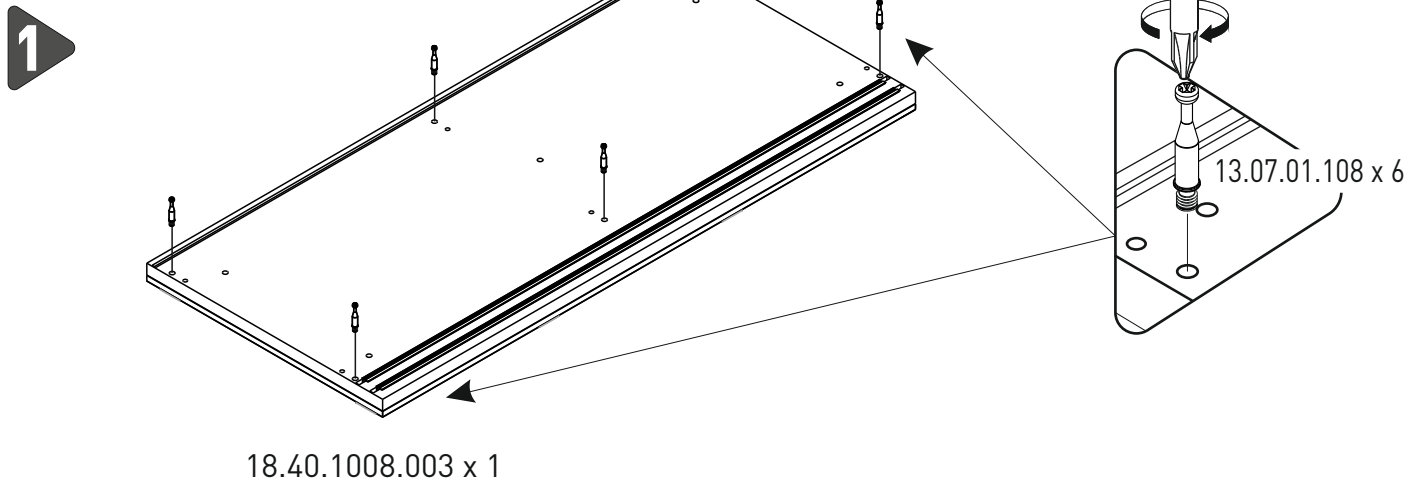
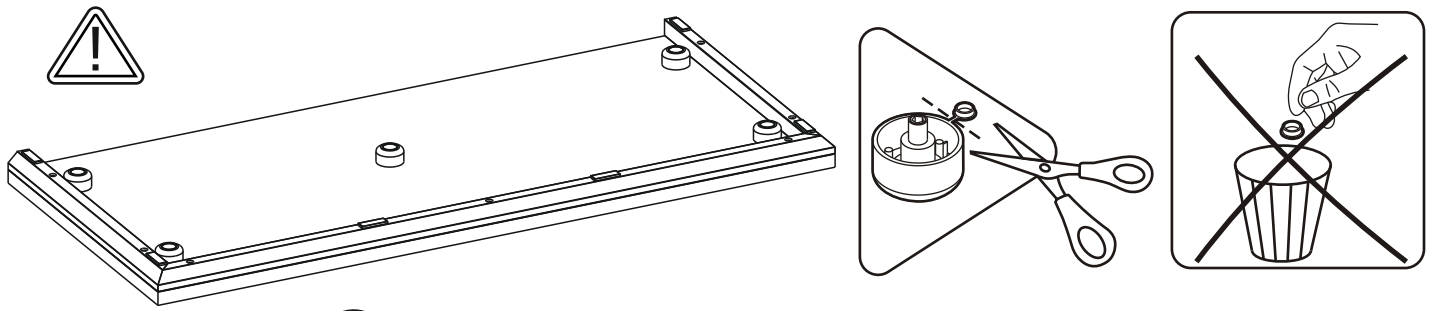
18.40.1008.201 x 2

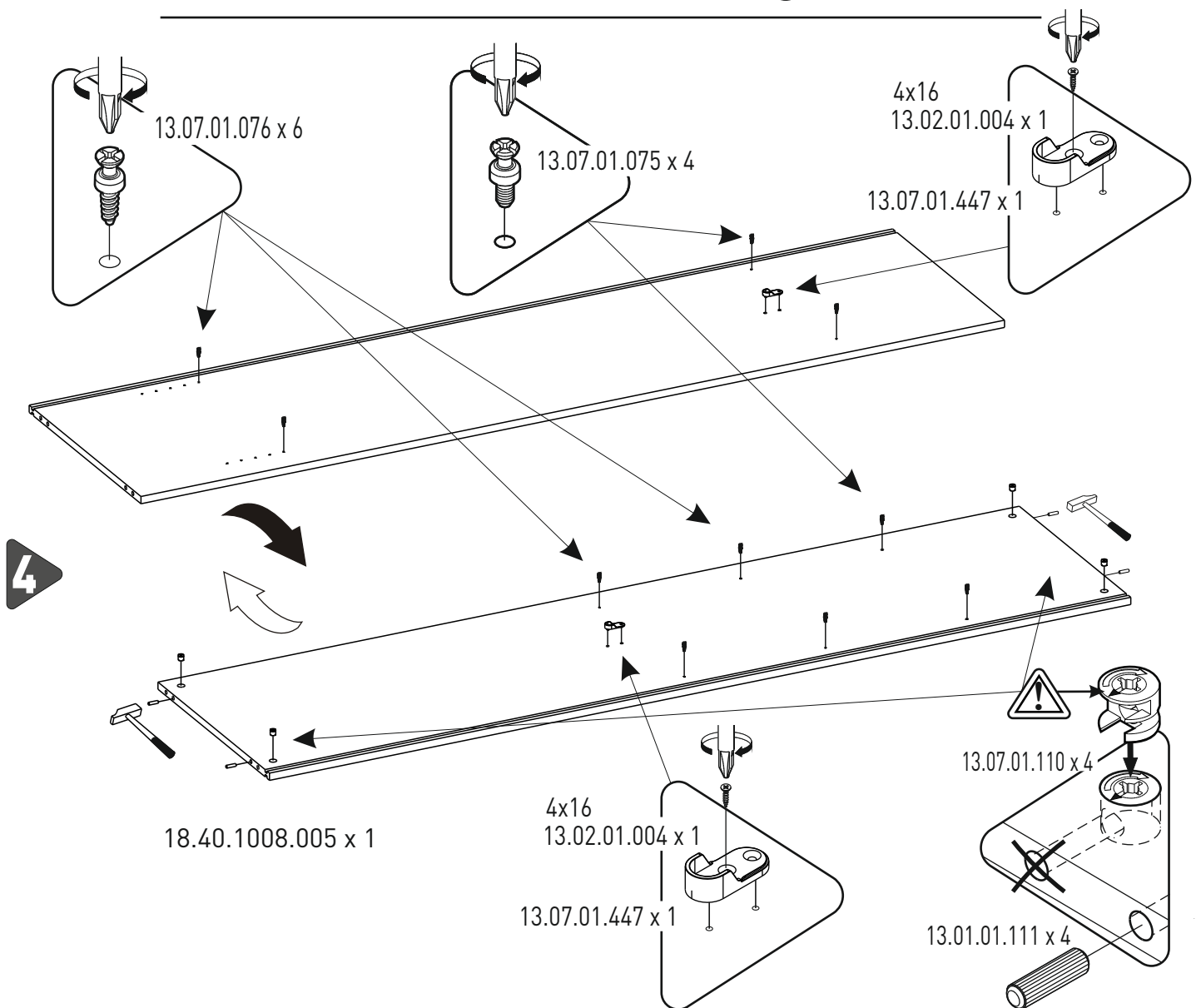
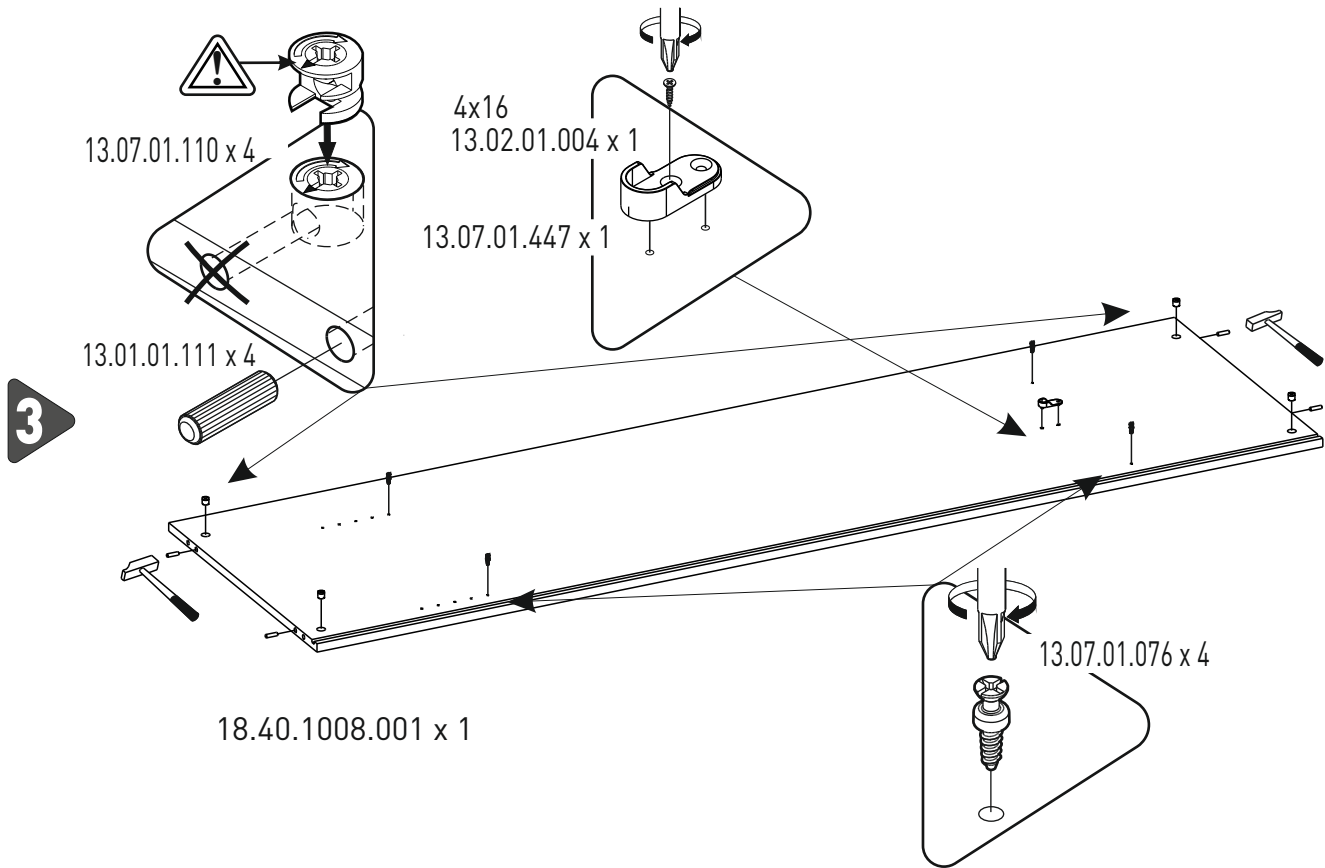
13.10.01.175

18.40.1008.011 x 1

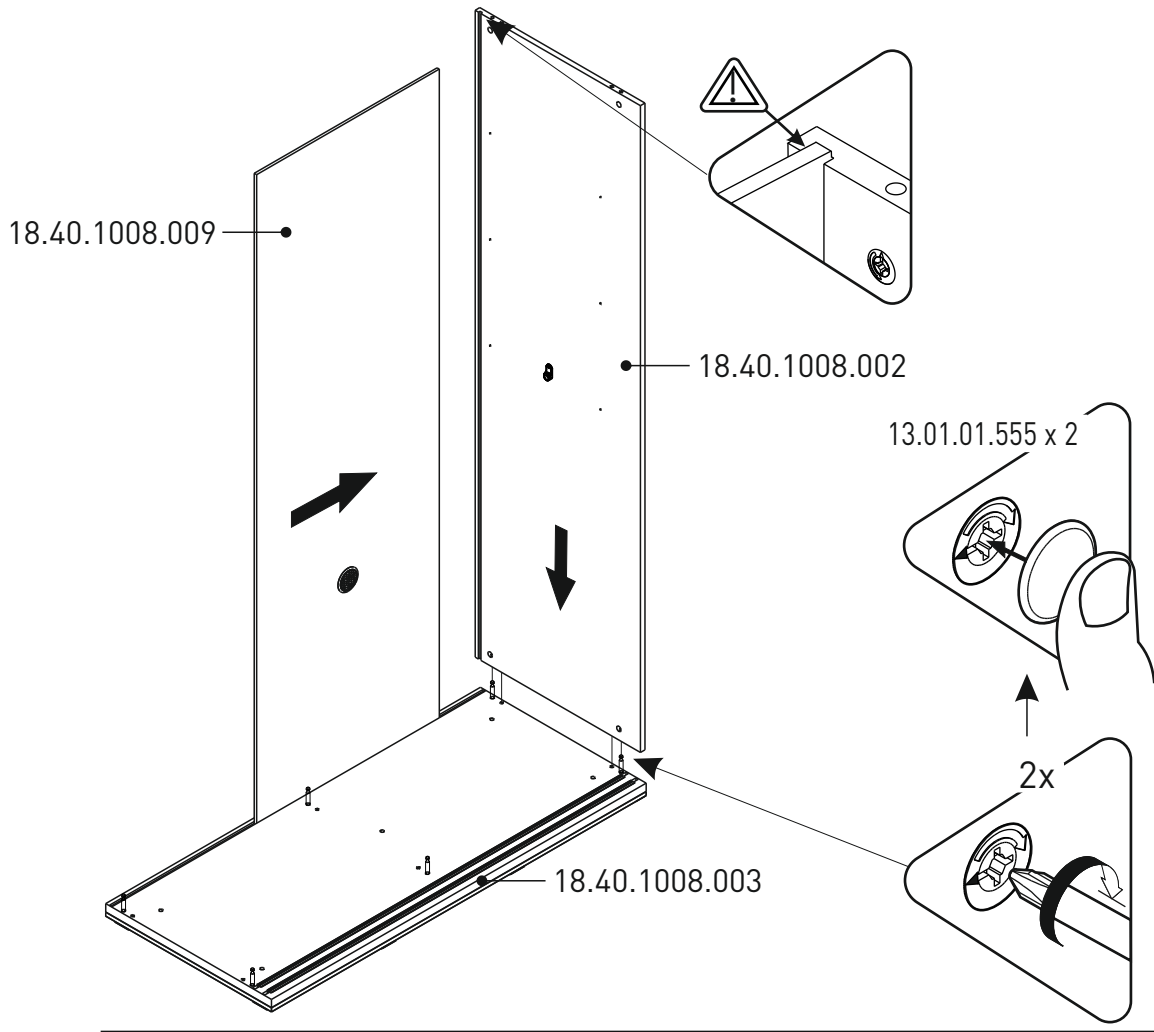


18.40.1008.009 x 1

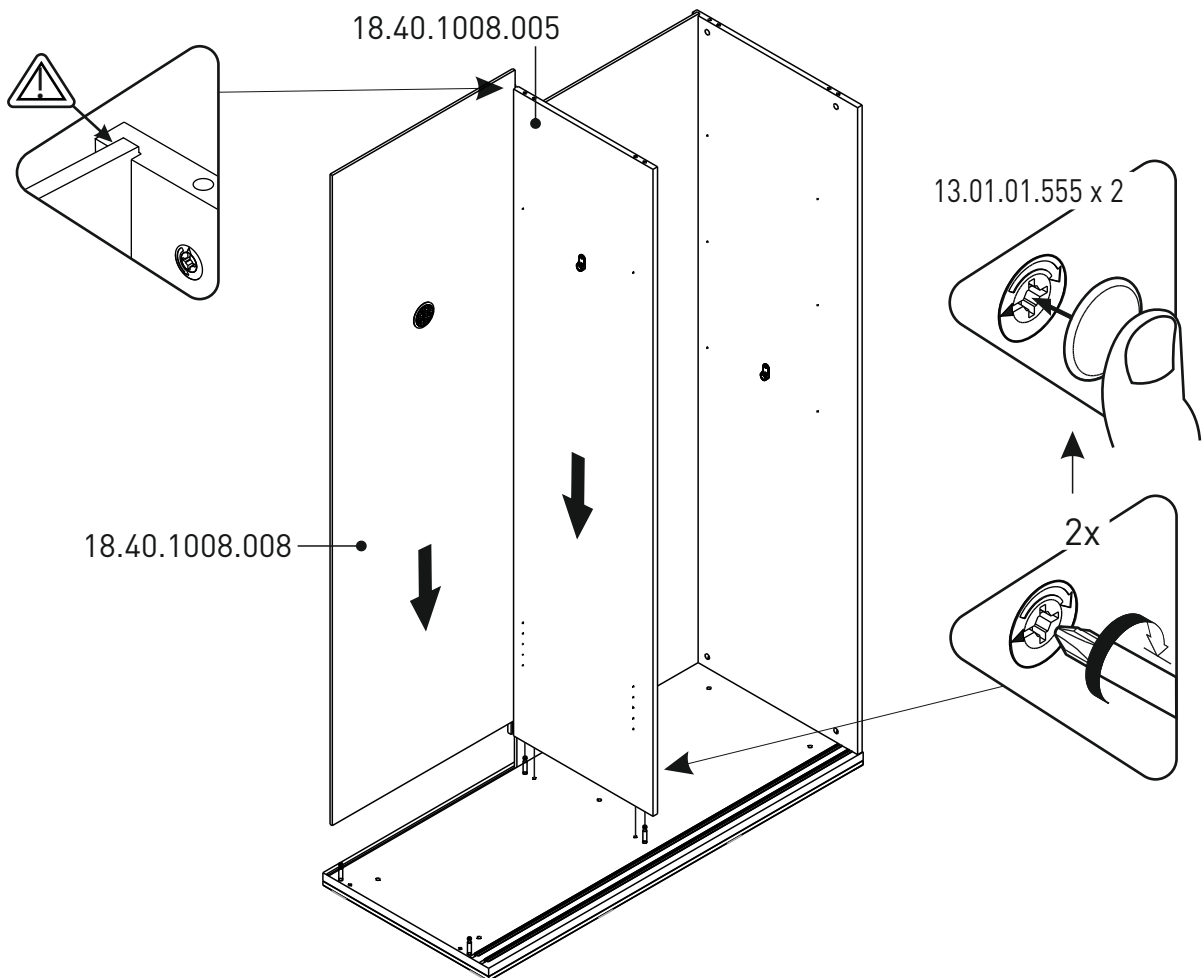




5

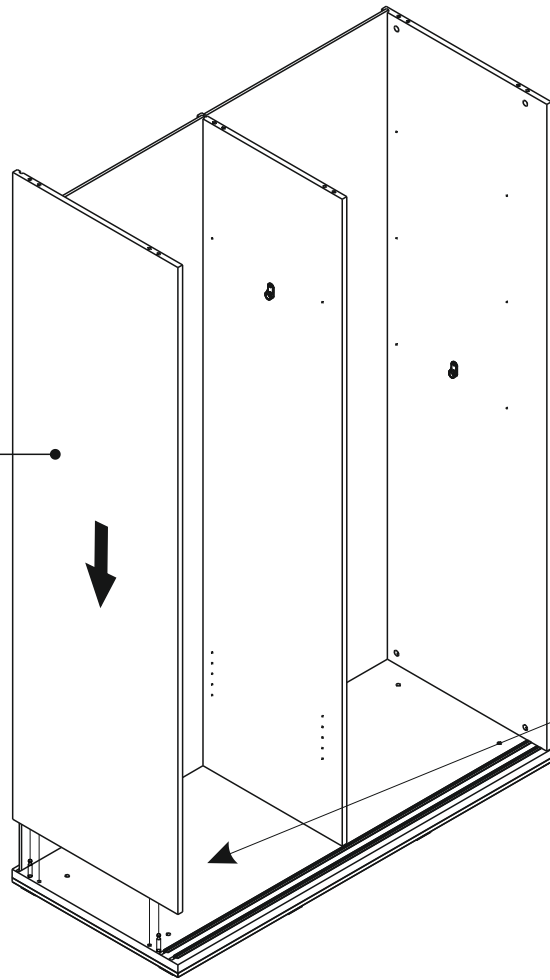


6



7

18.40.1008.001

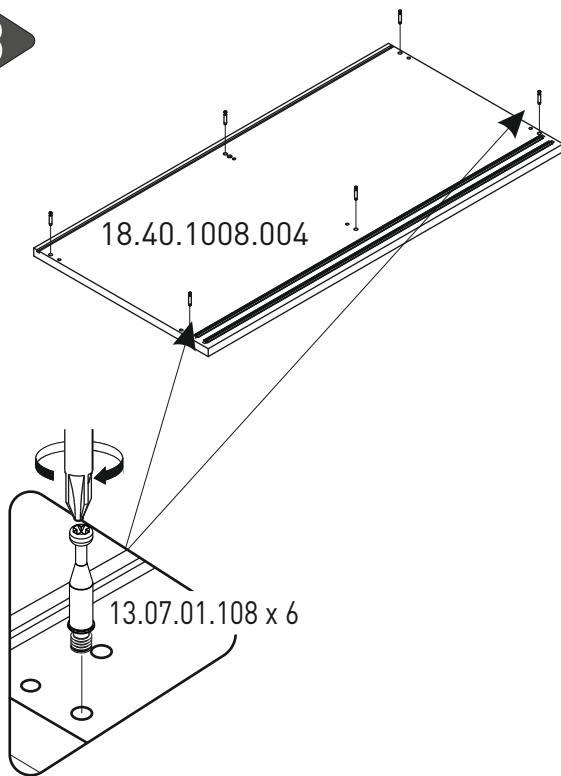


13.01.01.555 x 2

2x

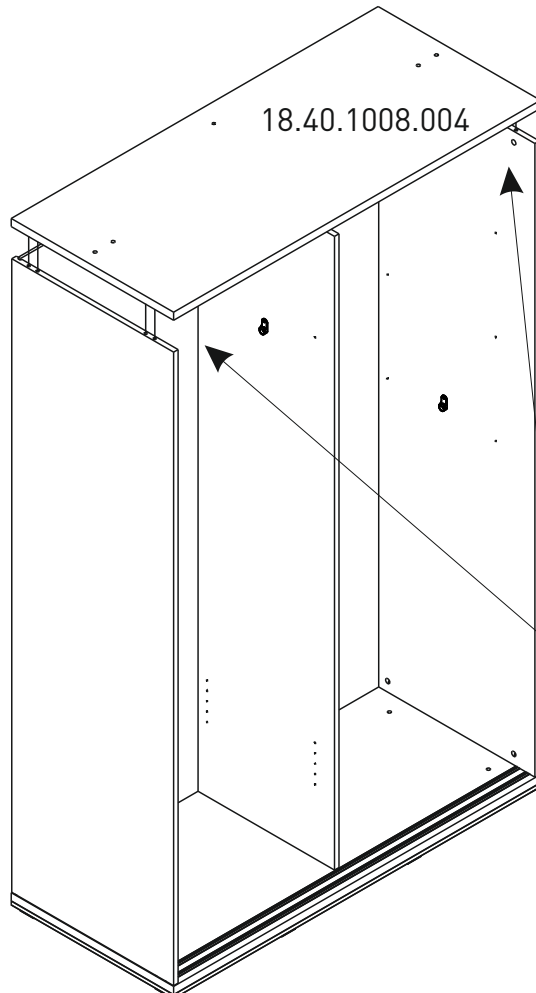
8

18.40.1008.004



18.40.1008.004

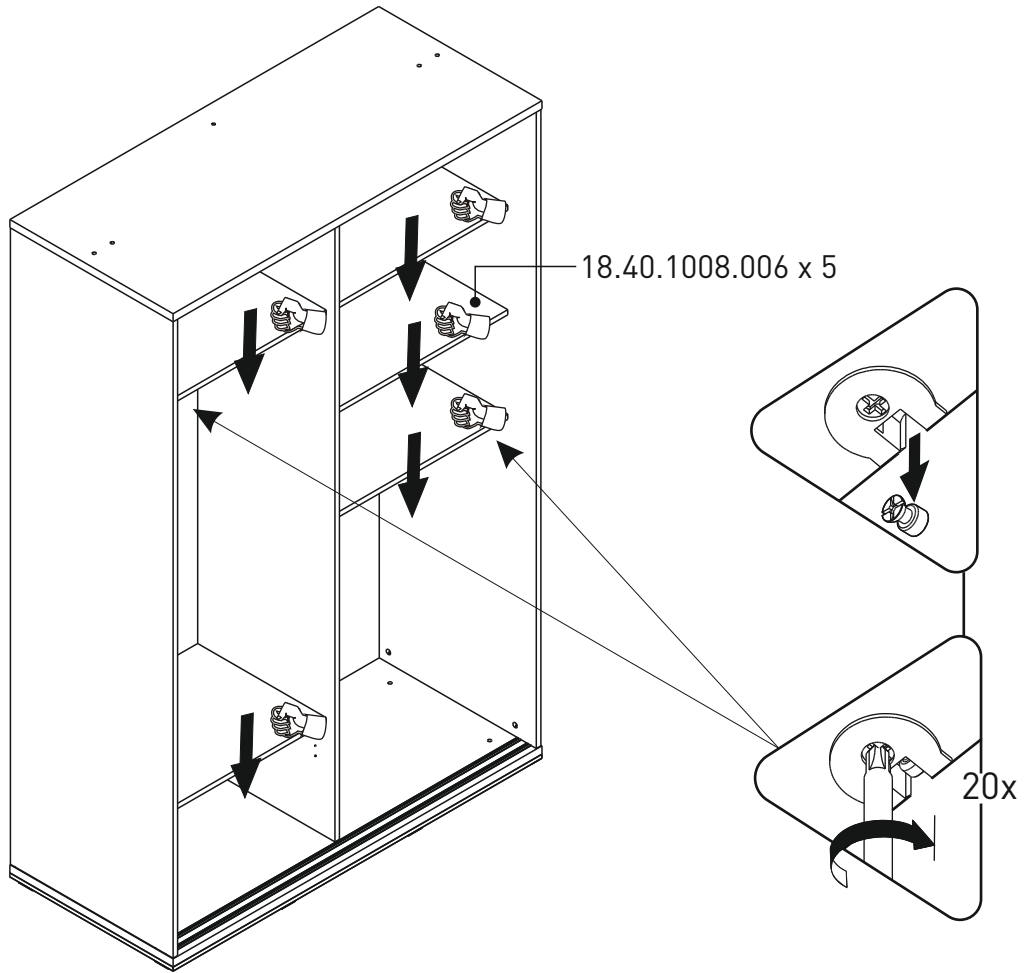
13.07.01.108 x 6



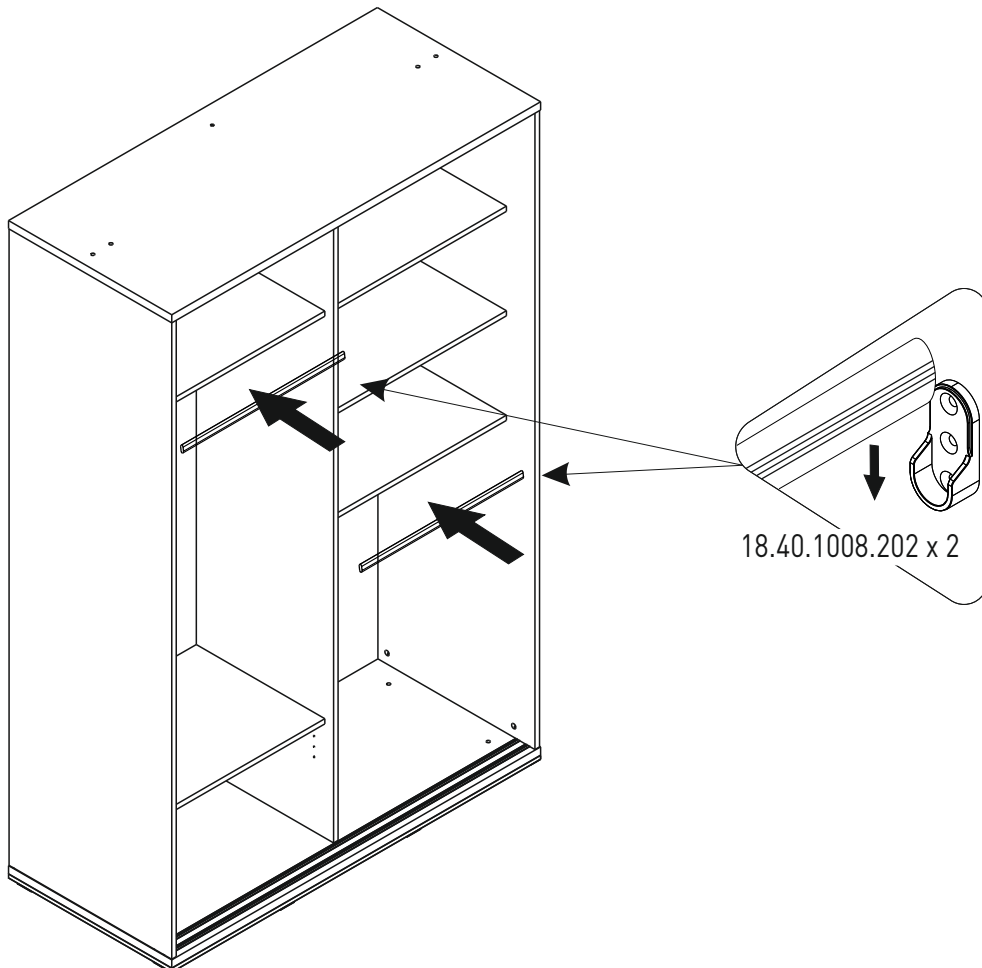
13.01.01.555 x 6

6x

9

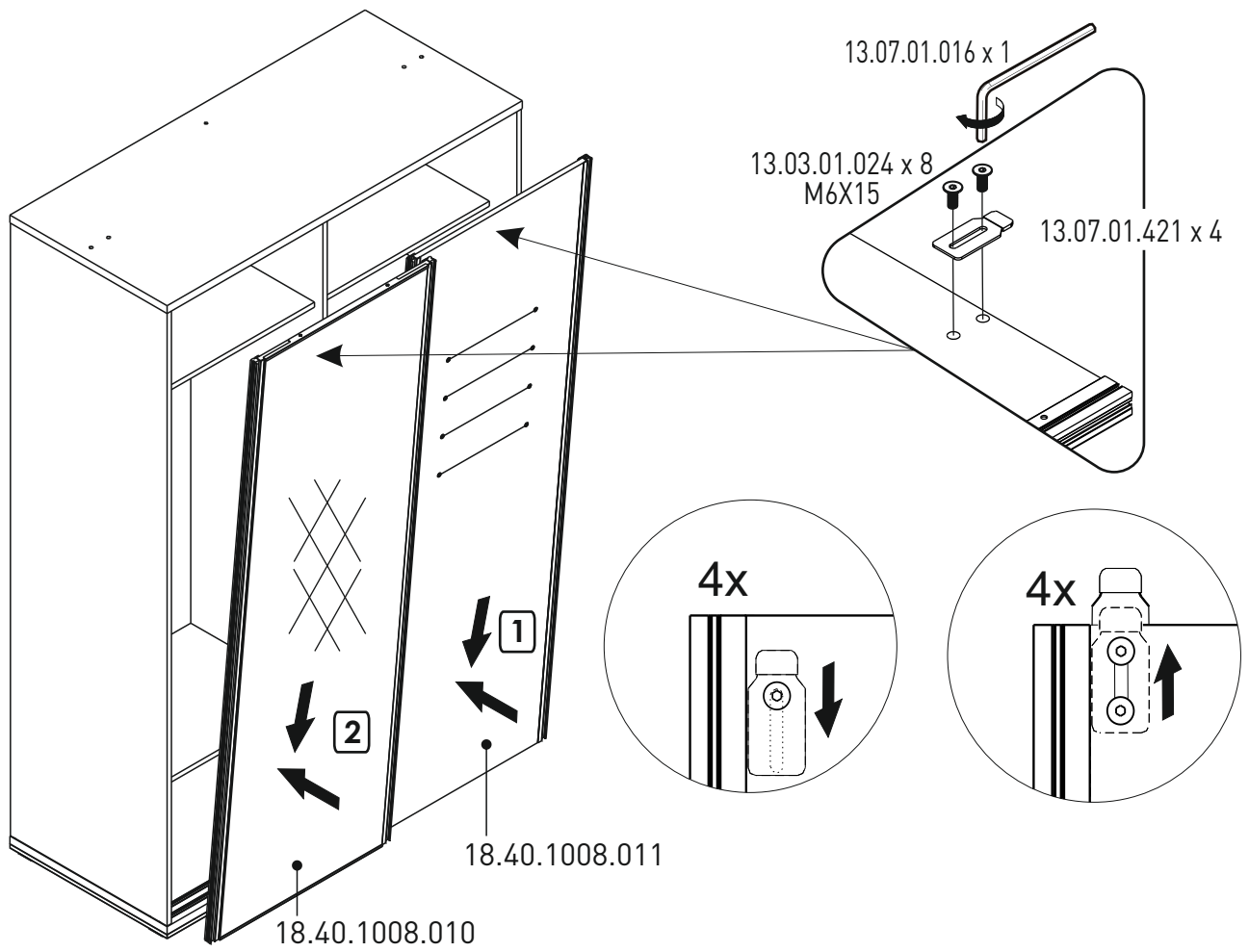


10

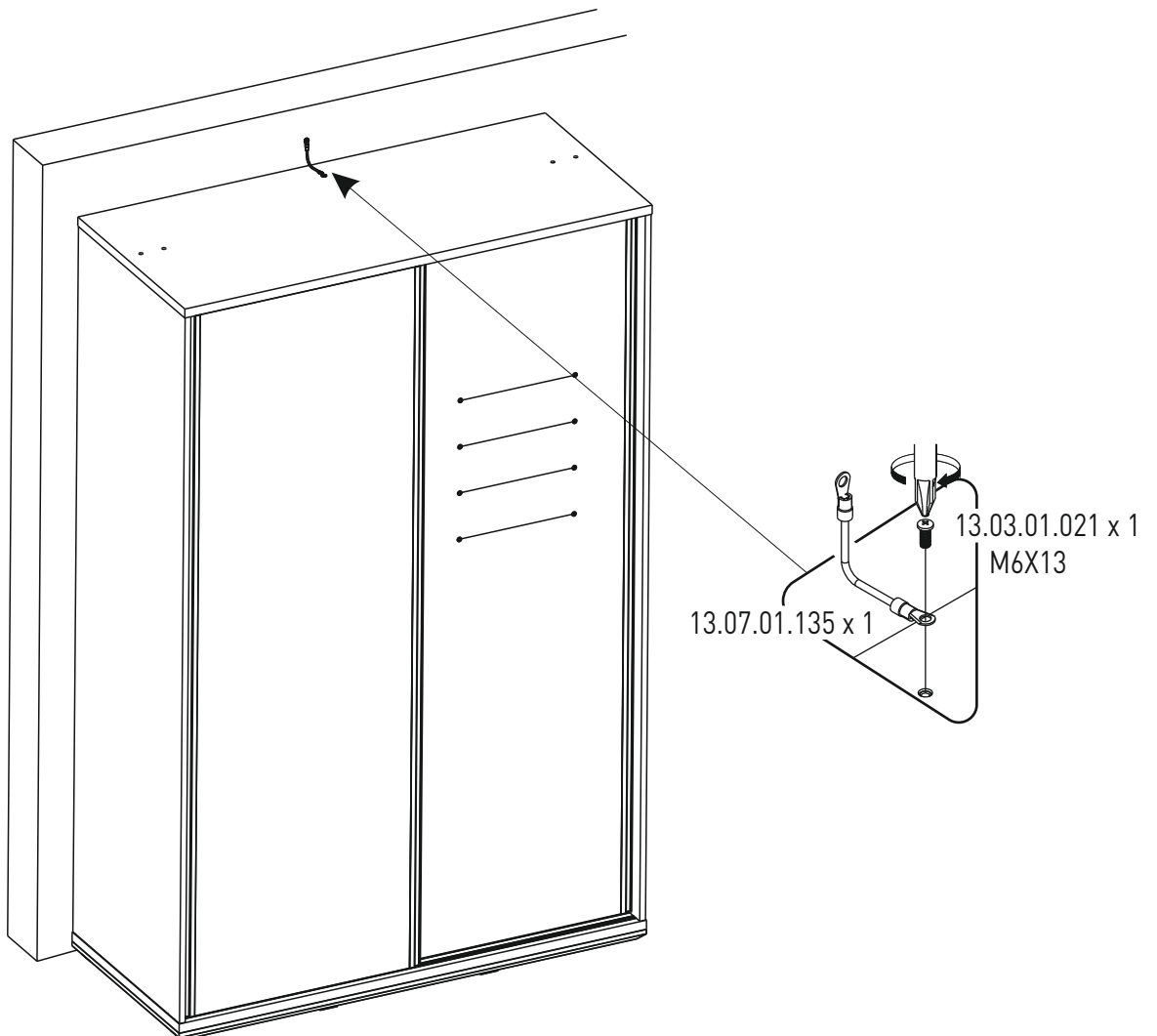




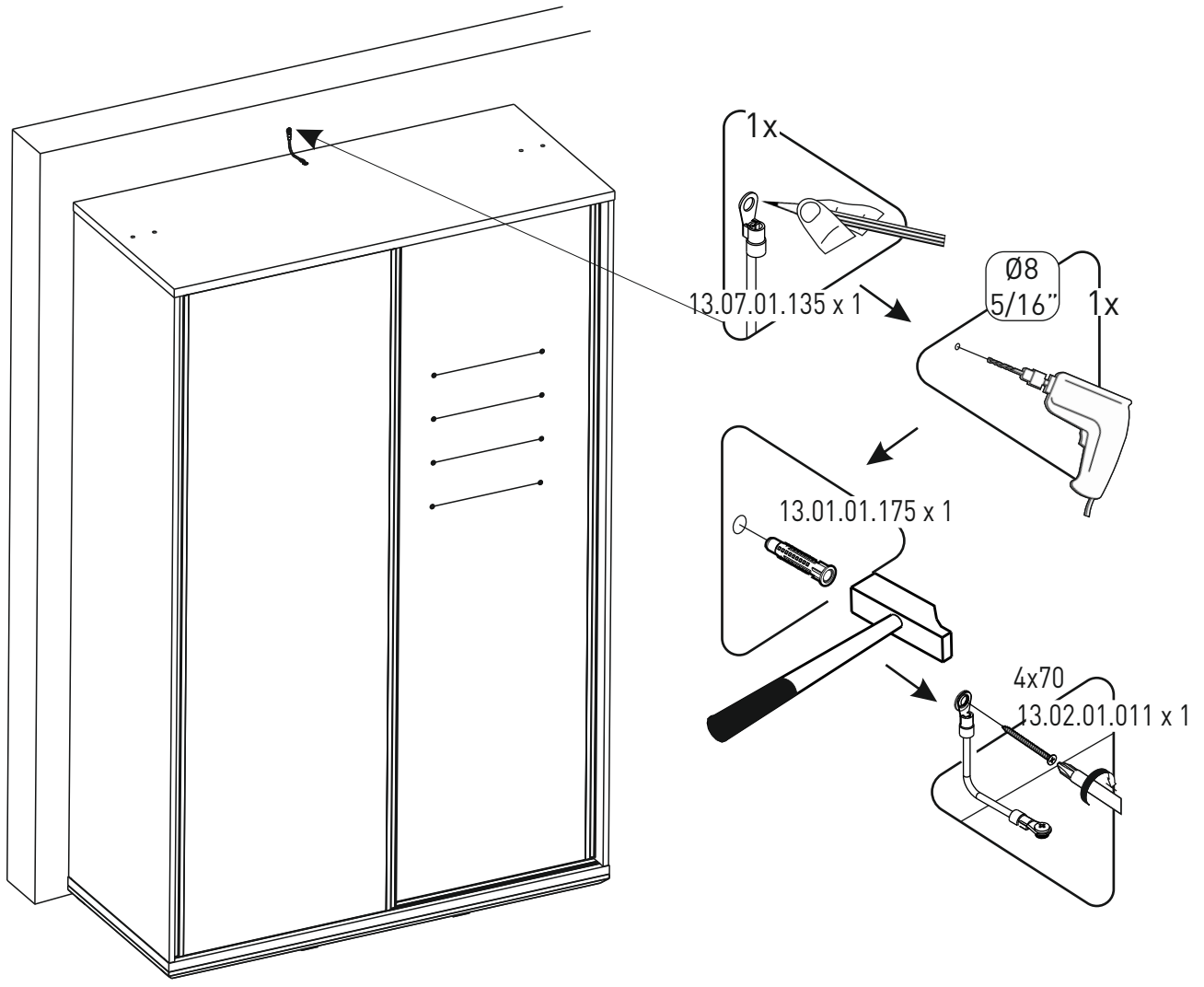
11



12



13



14

