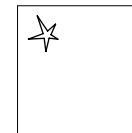




Front/Carcase	Colour code
Front High polish white/Carcase Alpine white	AD355



High polish white



Alpine white



Aluminium-coloured handles

■ You will find matching extras after the wardrobes.

Supplier: Rauch Möbelwerke GmbH

Quality features

rauch BLUE



Top workmanship

Proven fittings technology

Easy to assemble

Practical accessories

Material information



Colour

Furniture with colour finish has an evenly attractive, hard-wearing surface.



Load-bearing capacity

The load limits for all furniture and extras can be found in the load table at: <https://qrco.de/rauch-belastungstabelle>



Raw materials from nature

In the production of the wood-based materials for our furniture, we rely exclusively on uncontaminated, fresh weak and storm wood from local, sustainable forestry operations. Strict tests by neutral institutes continuously confirm the safety of materials and processes.



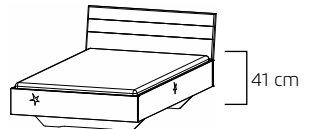
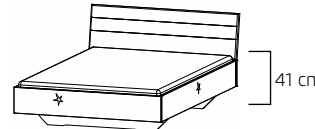
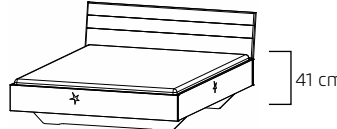
The „Blue Angel“


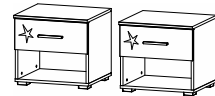


The German government's eco-label for low-emission furniture that is harmless to health. Articles covered with textiles or artificial leather are excluded.

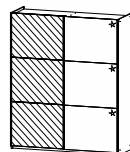
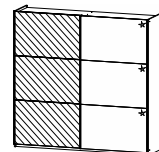
Award-winning and certified









Front/Carcase	Colour code
Front High polish white/Carcase Alpine white	AD355



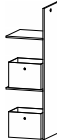


BEDS			
<ul style="list-style-type: none"> • Bed side height = 41 cm • Slatted frame can be adjusted to 3 different heights • Inlet depths (Upper edge of bed side to support height): 13,8 cm 15,4 cm 			
	bed	bed	bed
	with headboard-padding	with headboard-padding	with headboard-padding
	120/200 ↔125 cm †84 cm ↗206 cm BG 20	140/200 ↔145 cm †84 cm ↗206 cm BG 40	160/200 ↔165 cm †84 cm ↗206 cm BG 60
Article	Price	03J0	03J6
		03U6	03J8

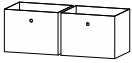
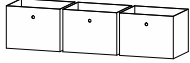

MATCHING PIECES			
			
bedside table	bedside tables, pair	chest	chest
1 drawer, with niche	1 drawer, with niche	2-door	5 drawers
↔47 cm †43 cm ↗44 cm	↔47 cm †43 cm ↗42 cm	↔93 cm †81 cm ↗42 cm	↔93 cm †81 cm ↗42 cm
Article	Price	63L3	63M9
		676F	677T

WARDROBES			
<p>You will find matching extras after the wardrobes.</p>			<p>Design constraints necessitate a shelf thickness of 2.2 cm on unit widths of 109 cm.</p>
	sliding door wardrobe	sliding door wardrobe	
	2-door, 1 mirror door	2-door, 1 mirror door	
	↔175 cm †210 cm ↗59 cm	↔218 cm †210 cm ↗59 cm	
Article	Price	51M9	51B2

Colour	Colour code
Texline (natural-colour linen look)	A0039

ELEMENT WIDTH ▶		65	87	109	65	87	109
Design constraints necessitate a shelf thickness of 2.2 cm on unit widths of 109 cm.							
		Shelf	Shelf	Shelf	hanging rail	hanging rail	hanging rail
		for unit width 66cm	for unit width 87 cm	for unit width 109 cm	for unit width 66cm	for unit width 87 cm	for unit width 109 cm
		↔63 cm ↓1,6 cm ↗45 cm	↔85 cm ↓1,6 cm ↗45 cm	↔107 cm ↓2,2 cm ↗45 cm	↔63 cm ↓3 cm ↗2 cm	↔84 cm ↓3 cm ↗2 cm	↔106 cm ↓3 cm ↗2 cm
1 pieces	Price	94W1	97W1	98W1	97K1	9724	9762
Set of 2		97W0	97W2	98W2	---	---	---
Set of 3		94W3	97W3	98W3	---	---	---
Set of 5		94W5	97W5	---	---	---	---

GENERAL		Drawer unit and interior division match all unit widths.				
						
		interior drawer	wardrobe interior division	Interior division	hooks	set of 2 dampers for sliding wardrobes
		with 2 drawers	with 2 shelves for unit width 90cm	with 2 shelves for unit width 90cm, 2 Fabric boxes		Cushions the door stop on the outer panels of the wardrobe.
		↔58 cm ↓39 cm ↗45 cm	↔45 cm ↓147 cm ↗45 cm	↔45 cm ↓147 cm ↗45 cm	↔35 cm ↓5 cm ↗5 cm	
Article	Price	9846	9934	035W	9HL1	9TDD

GENERAL				
				
		fabric box	fabric box	hanging fabric box
		set of 2 grey	set of 3 grey	fabric for clothes rail
		2x ↔38 cm ↓29 cm ↗29 cm	3x ↔38 cm ↓29 cm ↗29 cm	↔30 cm ↓115 cm ↗30 cm
Article	Price	93G2	93G3	7526